



JO GUNN Enterprises, L.L.C.

Jo Gunn Enterprises, L.L.C.

3138 County Road 30

Ethelsville, AL 35461

Phone: (205) 658-2229

Fax (205) 658-2259

website: www.jogunn.com

“The Best in PERFORMANCE and QUALITY”

INFORMATION ABOUT THE ANTENNAS

Jo Gunn Antennas have earned the reputation of being the finest CB antenna on the market today. There are many reasons why these antennas have gained the respect and prestige they much deserve.

All Jo Gunns are made of 6063 T6 aluminum tubing, which is the highest grade aluminum tubing ever put into CB antennas.

All Jo Gunns use a 2 x 2 square boom which was uniquely developed to maintain perfect element alignment and over-all strength of the antenna. The element diameter is much larger than other antennas. With the Yagi type design, the talking is done off of the surface of the element, not through the element. This, in conjunction to being properly spaced, gives a Jo Gunn more over-all gain and audio.

Jo Gunns also use a concept of the elements passing through the boom, which helps give a much cleaner construction to the antennas. The absence of hubs, muffler clamps, and hose clamps make it the leader in quality and strength. There are no wires or other gimmicks used to promote performance. The design and construction of these antennas are what sets them above all others.

With the customer in mind, these antennas were built to provide many years of maximum performance with high wind survival and total reliability. WHEN JO GUNNS TALK, PEOPLE LISTEN!

1 YEAR LIMITED WARRANTY

It is expressly agreed that there are no warranties, expressed or implied, made by either the Seller or Manufacturer's Warranty against defective materials or workmanship as follows:

"The Manufacturer warrants that it will repair F.O.B. its factory, or replace without charge F.O.B. its factory any antenna within one year after the date of sale by the Dealer which is provided to the satisfaction of the Company to have been defective at the time it was sold, provided that all parts claimed defective shall be returned, properly identified, to the Manufacturer at its place of business in Ethelsville, Alabama."

"The Manufacturer agrees to repair F.O.B. its factory, or replace without charge F.O.B. its factory, or replace without charge F.O.B. its factory any antenna which is damaged by wind within one year after date of sale by the Dealer provided that the antenna remains attached to the tower or the support structure and provided further that the tower or the support structure to which the antenna is attached remains undamaged and standing. Any claims made for replacement or repair due to wind damage shall be accompanied by at least four photographs of the antenna and the support structure from points that are east, west, north and south of the damaged antenna and clearly show the damaged portion of the antenna."

"This warranty to repair or replace is the only warranty either express or implied upon which said antenna is sold; the Manufacturer's liability in connection with this transaction is expressly limited to the repair of the defective antenna or replacement."

NOTE: This warranty covers directional base antennas only.

Which Jo Gunn Antenna Suits Your Needs The Most?

- Star Series —** The STAR Antennas are dual fed with horizontal and vertical polarization. They are an excellent ground wave and DX antenna. A CB'er who enjoys talking 20 miles or across the U.S. will benefit the most with the STAR.
- Cross Series —** The CROSS Antennas are dual fed with horizontal and vertical polarization also. The CROSS is a slightly harder hitting ground wave antenna with good performance in DX. A CB'er who mainly enjoys ground wave talking will benefit the most with the CROSS.
- Conventional Series —** The CONVENTIONAL Antenna has a single feed line polarization for either horizontal or vertical. Designed for the CB'er who only wants single polarity, these antennas will give excellent performance in single polarity applications.
- V Series (DX Antennas) —** The V Antennas have a single feed line which transmits circular polarity. This is the most effective way to talk DX and hold the conditions the longest. For CB'er who wants to get the most out of his skip talking, the V's will give the best performance possible.
- Super Audio Series —** The SUPER AUDIO Antennas have horizontal polarization only. They were designed for the serious flat side operator who demands heavy-weight performance. These antennas have high power-handling capabilities and extremely high levels of audio.
- 10 METER OMNI — Frequency Range, 26.000 to 29.500**
- JGAR - Pistol —** The 10 Meter Omni-Directional PISTOL has a single feed line and is vertically polarized. It is small in size and big in performance.
- JGAR - Hillbilly —** The 10 Meter Omni-Directional HILLBILLY is dual fed with both horizontal and vertical polarization. This is a very unique feature for an Omni-Directional antenna.
- JGAR - Son of a Gunn —** The 10 Meter Omni-Directional SON OF A GUNN has a single feed line which is vertically polarized. It is the largest and most powerful 10 Meter Omni that Jo Gunn has to offer.
- 10 METER Directional —** The STARS, V'S and CONVENTIONAL Series Antennas are also excellent for 10 Meter use and can be slotted to a particular frequency coverage on request.
- MOBILES**
- Wizard —** The WIZARD is a "All-Around Performance" mobile antenna that is strong enough for heavy-duty keydowns yet versatile enough for everyday use. It radiates more input power than any other production mobile on the market today.
- Windjammer —** The WINDJAMMER has more modulation and output power. It is designed primarily for competition keydowns

STAR SERIES

The STAR Antennas are high performance long distance ground wave antennas. They will do an excellent job in DX with power-handling capabilities rated at 5 KW. The Star Antennas are also excellent for 10 meter use, and are available in the 10 Meter Series by request.

The Star Antennas are available in the following models:

3 STAR SPECIFICATIONS

TYPE: Horz. & Vert. Polarization
Twin Feed
GAIN: 14.5 DB
FRONT to BACK RATIO: 40 DB
True
SIDE REJECTION: 40-45 DB True
BACK REJECTION: 40 DB True
WEIGHT: 28 lbs.
LENGTH: 8 feet
SWR: 1.1
HORZ. to VERT. SEPARATION:
20-25 DB
WIND SURVIVAL: 100 MPH
POWER MULTIPLICATION: 40X
AUDIO GAIN: 18 DB
WIND LOAD: 2.8

UPS
SHIPPABLE

4 STAR SPECIFICATIONS

TYPE: Horz. & Vert. Polarization
Twin Feed
GAIN: 15.5 DB
FRONT to BACK RATIO: 45 DB
True
SIDE REJECTION: 45-50 DB True
BACK REJECTION: 45 DB True
WEIGHT: 34 lbs.
LENGTH: 12 feet
SWR: 1.1
HORZ. to VERT. SEPARATION:
20-25 DB
WIND SURVIVAL: 100 MPH
POWER MULTIPLICATION: 50X
AUDIO GAIN: 20 DB
WIND LOAD: 3.7

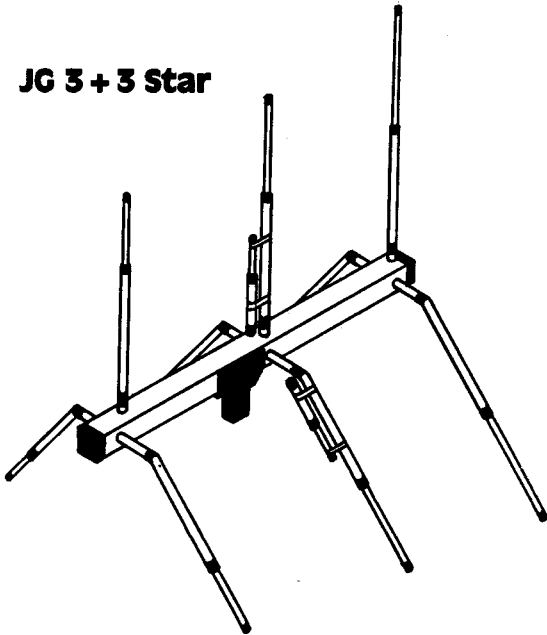
UPS
SHIPPABLE

5 STAR SPECIFICATIONS

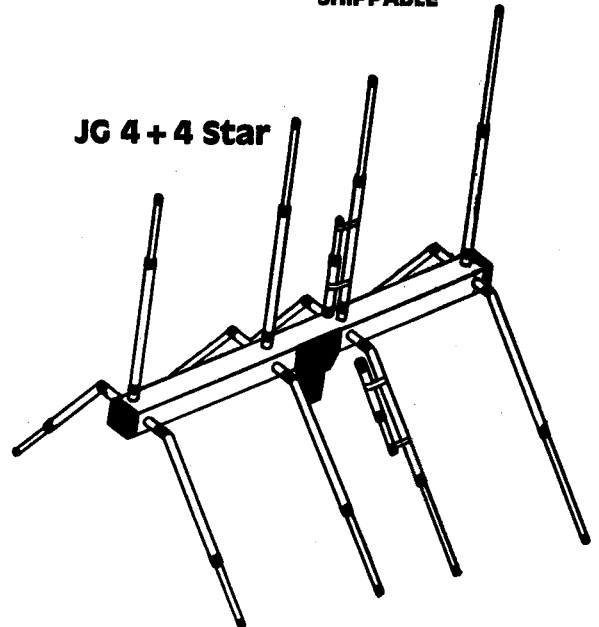
TYPE: Horz. & Vert. Polarization
Twin Feed
GAIN: 16.5 DB
FRONT to BACK RATIO: 48 DB
True
SIDE REJECTION: 50-55 DB True
BACK REJECTION: 40 DB True
WEIGHT: 37 lbs.
LENGTH: 17 feet, 6 inches
SWR: 1.1
HORZ. to VERT. SEPARATION:
25-30 DB
WIND SURVIVAL: 100 MPH
POWER MULTIPLICATION: 65X
AUDIO GAIN: 22 DB
WIND LOAD: 5.0

UPS
SHIPPABLE

JG 3 + 3 Star



JG 4 + 4 Star



STAR SERIES

Mast Pipe
Diameter
2" O.D.

6 STAR SPECIFICATIONS

TYPE: Horz. & Vert. Polarization
Twin Feed
GAIN: 18 DB
FRONT to BACK RATIO: 50 DB
True
SIDE REJECTION: 55-60 DB True
BACK REJECTION: 45 DB True
WEIGHT: 54 lbs.
LENGTH: 25 feet
SWR: 1.1
HORZ. to VERT. SEPARATION:
25-30 DB
WIND SURVIVAL: 100 MPH
POWER MULTIPLICATION: 75X
AUDIO GAIN: 25 DB
WIND LOAD: 8.5

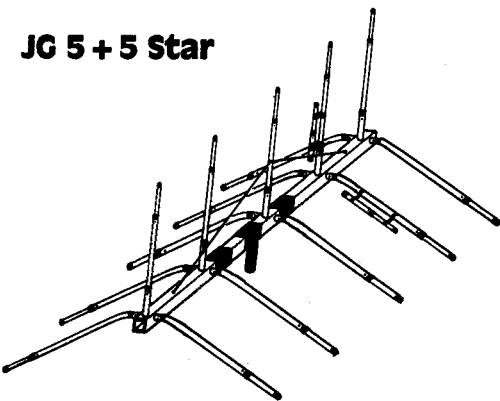
UPS
SHIPPABLE

JG 8 + 8 "Killer" Star SPECIFICATIONS

TYPE: Horz. & Vert. Polarization
Twin Feed
GAIN: 21.5 DB
FRONT to BACK RATIO: 60 DB
True
SIDE REJECTION: 70 DB True
BACK REJECTION: 60 DB True
WEIGHT: 73 lbs.
LENGTH: 36 feet
SWR: 1.1
HORZ. to VERT. SEPARATION:
20-25 DB
WIND SURVIVAL: 100 MPH
POWER MULTIPLICATION: 125X
AUDIO GAIN: 30 DB
WIND LOAD: 12.5

FREIGHT
ONLY

JG 5 + 5 Star



CROSS SERIES

The CROSS Antennas are hard-hitting ground wave antennas. With power-handling capabilities of 5 KW, these antennas have a separate horizontal and vertical polarization. The CROSS Antennas are also excellent for 10 meter use, and are available in the 10 Meter Series by request.

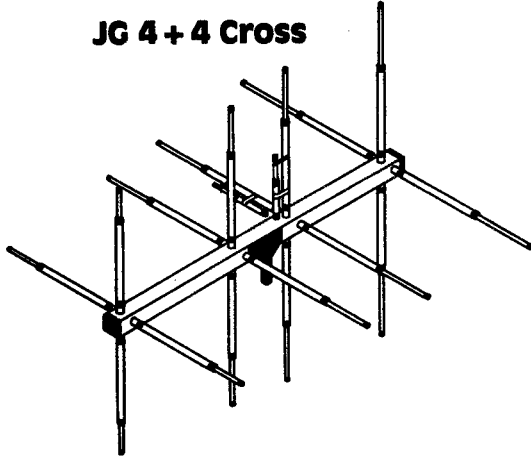
The Cross Antennas are available in the following models:

4 CROSS SPECIFICATIONS

TYPE: Horz. & Vert. Polarization
Twin Feed
GAIN: 15.5 DB
FRONT to BACK RATIO: 45 DB True
SIDE REJECTION: 45-50 DB True
BACK REJECTION: 45 DB True
WEIGHT: 38 lbs.
LENGTH: 12 feet
SWR: 1.1
HORZ. to VERT. SEPARATION: 20-25 DB
WIND SURVIVAL: 100 MPH
POWER MULTIPLICATION: 50X
AUDIO GAIN: 20 DB
WIND LOAD: 4.0

UPS SHIPPABLE

JG 4 + 4 Cross



CROSS SERIES

5 CROSS SPECIFICATIONS

TYPE: Horz. & Vert. Polarization
Twin Feed
GAIN: 16.5 DB
FRONT to BACK RATIO: 48 DB True
SIDE REJECTION: 50-55 DB True
BACK REJECTION: 48 DB True
WEIGHT: 41 lbs.
LENGTH: 18 feet
SWR: 1.1
HORZ. to VERT. SEPARATION: 25-30 DB
WIND SURVIVAL: 100 MPH
POWER MULTIPLICATION: 65X
AUDIO GAIN: 22 DB
WIND LOAD: 6.5

UPS SHIPPABLE

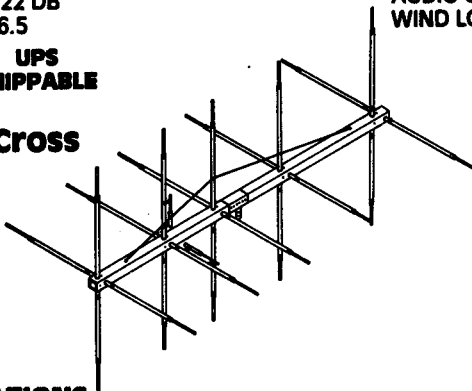
Mast Pipe Diameter 2" O.D.

6 CROSS SPECIFICATIONS

TYPE: Horz. & Vert. Polarization
Twin Feed
GAIN: 18 DB
FRONT to BACK RATIO: 50 DB True
SIDE REJECTION: 55-60 DB True
BACK REJECTION: 45 DB True
WEIGHT: 59 lbs.
LENGTH: 25 feet
SWR: 1.1
HORZ. to VERT. SEPARATION: 25-30 DB
WIND SURVIVAL: 100 MPH
POWER MULTIPLICATION: 75X
AUDIO GAIN: 25 DB
WIND LOAD: 9.0

UPS SHIPPABLE

JG 5 + 5 Cross



8 CROSS SPECIFICATIONS

TYPE: Horz. & Vert. Polarization
Twin Feed
GAIN: 21.5 DB
FRONT to BACK RATIO: 60 DB True
SIDE REJECTION: 75 DB True
BACK REJECTION: 60 DB True
WEIGHT: 79 lbs.
LENGTH: 36 feet

SWR: 1.1
HORZ. to VERT. SEPARATION: 25-30 DB
WIND SURVIVAL: 100 MPH
POWER MULTIPLICATION: 125X
AUDIO GAIN: 30 DB
WIND LOAD: 14.0

FREIGHT ONLY

10 METER (OMNI-DIRECTIONAL) ANTENNAS

JGAR - PISTOL (VERTICAL) ANTENNA

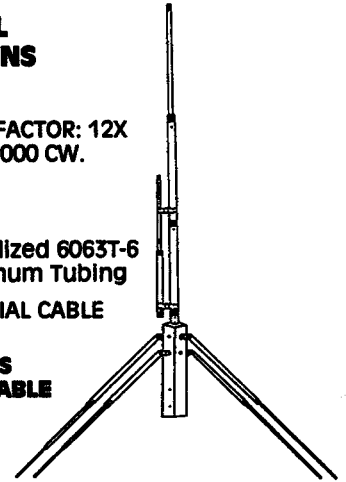
(FREQUENCY RANGE: 26.000 - 29.500)

JGAR - PISTOL SPECIFICATIONS

GAIN: 4.75 DB
MULTIPLICATION FACTOR: 12X
POWER RATING: 2000 CW.
4000 PEP
WEIGHT: 8.0 lbs.
LENGTH: 10 feet
MATERIALS: Anodized 6063T-6 Aircraft Aluminum Tubing

REQUIRES 1 COAXIAL CABLE FOR HOOK-UP

UPS SHIPPABLE



JGAR - HILLBILLY (HORIZONTAL - VERTICAL) ANTENNA

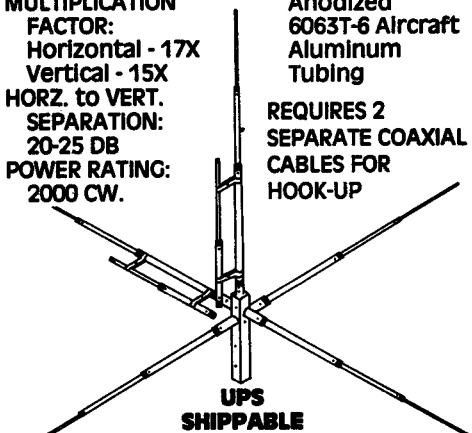
(FREQUENCY RANGE: 26.000 - 29.500)

JGAR - HILLBILLY SPECIFICATIONS

GAIN:
Horizontal - 5.25 DB
Vertical - 4.75 DB
MULTIPLICATION FACTOR:
Horizontal - 17X
Vertical - 15X
HORZ. to VERT. SEPARATION: 20-25 DB
POWER RATING: 2000 CW.

WEIGHT: 10 lbs.
HEIGHT: 11 feet
MATERIALS: Anodized 6063T-6 Aircraft Aluminum Tubing

REQUIRES 2 SEPARATE COAXIAL CABLES FOR HOOK-UP



UPS SHIPPABLE

JGAR - SON OF A GUNN (VERTICAL) ANTENNA

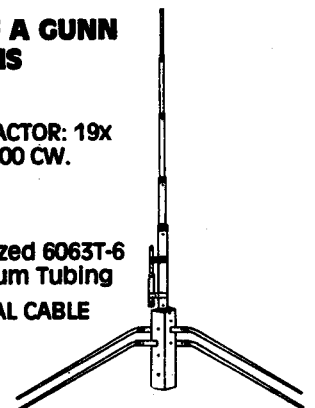
(FREQUENCY RANGE: 26.000 - 29.500)

JGAR - SON OF A GUNN SPECIFICATIONS

GAIN: 7.75 DB
MULTIPLICATION FACTOR: 19X
POWER RATING: 2000 CW.
4000 PEP
WEIGHT: 14 lbs.
LENGTH: 26 feet
MATERIALS: Anodized 6063T-6 Aircraft Aluminum Tubing

REQUIRES 1 COAXIAL CABLE FOR HOOK-UP

UPS SHIPPABLE



Mast Pipe Diameter 1 7/8" O.D.

V SERIES (DX ANTENNAS)

The V Antennas are excellent for DX. Designed for the serious DX'er, the V's have powerful-handling capabilities rated at 5 KW. The V Antennas are also excellent for 10 meter use, and are available in the 10 Meter Series by request.

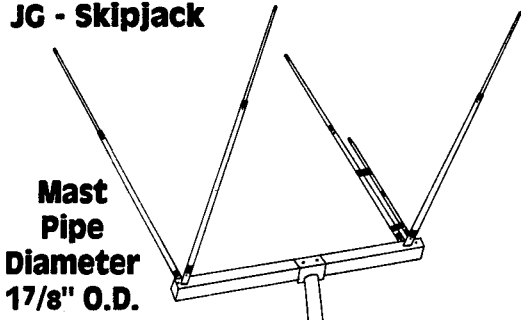
The V Antennas are available in the following models:

SKIPJACK SPECIFICATIONS

TYPE: Horz. & Vert. Polarization
Single Feed
GAIN: 12.5 DB on DX
FRONT to BACK RATIO: 35 DB True
SIDE REJECTION: 40 DB True
BACK REJECTION: 35 DB True
WEIGHT: 15 lbs.
LENGTH: 5 feet
SWR: 1.1
HORZ. to VERT. SEPARATION: 20-25 DB
WIND SURVIVAL: 100 MPH
POWER MULTIPLICATION: 25X
AUDIO GAIN: 15 DB
WIND LOAD: 1.9

UPS SHIPPABLE

JG - Skipjack



4V SPECIFICATIONS

TYPE: Horz. & Vert. Polarization
Single Feed
GAIN: 15.5 DB on DX
FRONT to BACK RATIO: 50 DB True
SIDE REJECTION: 45-50 DB True
BACK REJECTION: 35 DB True
WEIGHT: 24 lbs.
LENGTH: 12 feet
SWR: 1.1
HORZ. to VERT. SEPARATION: 20-25 DB
WIND SURVIVAL: 100 MPH
POWER MULTIPLICATION: 50X
AUDIO GAIN: 18 DB
WIND LOAD: 2.8

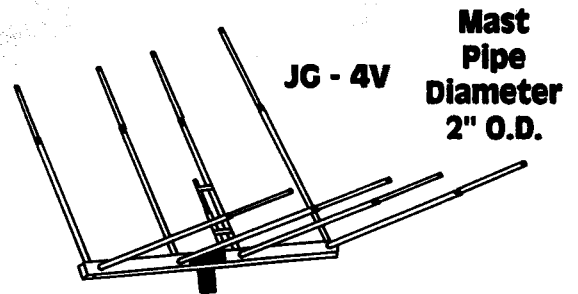
UPS SHIPPABLE

V SERIES "DX ANTENNAS"

6V SPECIFICATIONS

TYPE: Horz. & Vert. Polarization
Single Feed
GAIN: 17.5 DB on DX
FRONT to BACK RATIO: 55 DB True
SIDE REJECTION: 55-60 DB True
BACK REJECTION: 35 DB True
WEIGHT: 34 lbs.
LENGTH: 25 feet
SWR: 1.1
HORZ. to VERT. SEPARATION: 20-25 DB
WIND SURVIVAL: 100 MPH
POWER MULTIPLICATION: 60X
AUDIO GAIN: 25 DB
WIND LOAD: 3.7

UPS SHIPPABLE

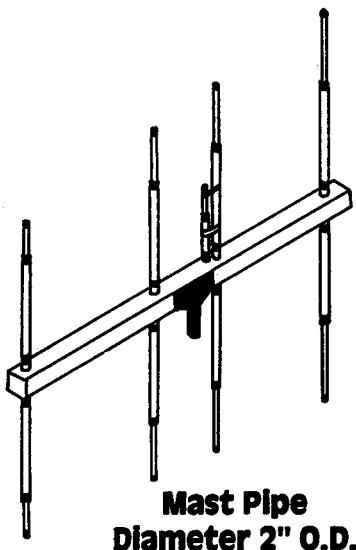


CONVENTIONAL SERIES

The CONVENTIONAL Antennas are designed for the single polarity operator. Whether it be Horizontal or Vertical, these antennas will give high performance in single polarity applications. They will handle a standard of 5 KW.

The CONVENTIONAL Antennas are also excellent for 10 Meter use and are available in the 10 Meter Series by request.

JG - 4 Conventional



4 CONVENTIONAL SPECIFICATIONS

TYPE: Horz. Or Vert. Polarization
GAIN: 15.5 DB
FRONT to BACK RATIO: 45 DB True
SIDE REJECTION: 45-50 DB True
BACK REJECTION: 45 DB True
WEIGHT: 20 lbs.
LENGTH: 12 feet
SWR: 1.1
WIND SURVIVAL: 100 MPH
POWER MULTIPLICATION: 50X
AUDIO GAIN: 19 DB
WIND LOAD: 3.0

UPS SHIPPABLE

5 CONVENTIONAL SPECIFICATIONS

TYPE: Horz. Or Vert. Polarization
GAIN: 16 DB
FRONT to BACK RATIO: 45 DB True
SIDE REJECTION: 50 DB True
BACK REJECTION: 45 DB True
WEIGHT: 29 lbs.
LENGTH: 17 feet
SWR: 1.1
WIND SURVIVAL: 100 MPH
POWER MULTIPLICATION: 60X
AUDIO GAIN: 21 DB
WIND LOAD: 4.5

UPS SHIPPABLE

6 CONVENTIONAL SPECIFICATIONS

TYPE: Horz. Or Vert. Polarization
GAIN: 18 DB
FRONT to BACK RATIO: 48 DB True
SIDE REJECTION: 50 DB True
BACK REJECTION: 45 DB True
WEIGHT: 40 lbs.
LENGTH: 25 feet
SWR: 1.1
WIND SURVIVAL: 100 MPH
POWER MULTIPLICATION: 70X
AUDIO GAIN: 24 DB
WIND LOAD: 7.5

UPS SHIPPABLE

8 CONVENTIONAL SPECIFICATIONS

TYPE: Horz. Or Vert. Polarization
GAIN: 20.5 DB
FRONT to BACK RATIO: 58 DB
SIDE REJECTION: 65 DB True
BACK REJECTION: 55 DB True
WEIGHT: 56 lbs.
LENGTH: 36 feet
SWR: 1.1
WIND SURVIVAL: 100 MPH
POWER MULTIPLICATION: 115X
AUDIO GAIN: 28 DB
WIND LOAD: 11.5

FREIGHT ONLY

SUPER AUDIO FLAT SERIES

The SUPER AUDIO FLAT Antennas are designed with the flat side operator's needs of high performance and high-powered operations. These antennas will handle a standard of 12 KW and have extremely high levels of audio. The SUPER AUDIO Series is designed strictly for the serious 11 Meter Flat Side operator.

The Super Audio Audio Flat Antennas are available in the following models:

SA-4 SPECIFICATIONS

TYPE: Horizontal
GAIN: 17.5 DB
FRONT to BACK RATIO: 45 DB True
SIDE REJECTION: 45-50 DB True
BACK REJECTION: 45 DB True
WEIGHT: 24 lbs.
LENGTH: 14 feet
SWR: 1.1
WIND SURVIVAL: 100 MPH
POWER MULTIPLICATION: 65X
AUDIO GAIN: 24 DB
WIND LOAD: 3.5

FREIGHT ONLY

SA-5 SPECIFICATIONS

TYPE: Horizontal
GAIN: 18.5 DB
FRONT to BACK RATIO: 50 DB True
SIDE REJECTION: 50-55 DB True
BACK REJECTION: 45 DB True
WEIGHT: 31 lbs.
LENGTH: 18 feet
SWR: 1.1
WIND SURVIVAL: 100 MPH
POWER MULTIPLICATION: 75X
AUDIO GAIN: 26 DB
WIND LOAD: 5.0

FREIGHT ONLY

SA-6 SPECIFICATIONS

TYPE: Horizontal
GAIN: 20 DB
FRONT to BACK RATIO: 55 DB True
SIDE REJECTION: 55-60 DB True
BACK REJECTION: 50 DB True
WEIGHT: 45 lbs.
LENGTH: 26 feet
SWR: 1.1
WIND SURVIVAL: 100 MPH
POWER MULTIPLICATION: 90X
AUDIO GAIN: 30 DB
WIND LOAD: 8.0

FREIGHT ONLY

SA-7 SPECIFICATIONS

TYPE: Horizontal
GAIN: 21.5 DB
FRONT to BACK RATIO: 55 DB True
SIDE REJECTION: 60-65 DB True
BACK REJECTION: 55 DB True
WEIGHT: 50 lbs.
LENGTH: 29 feet
SWR: 1.1
WIND SURVIVAL: 100 MPH
POWER MULTIPLICATION: 125X
AUDIO GAIN: 35 DB
WIND LOAD: 9.0

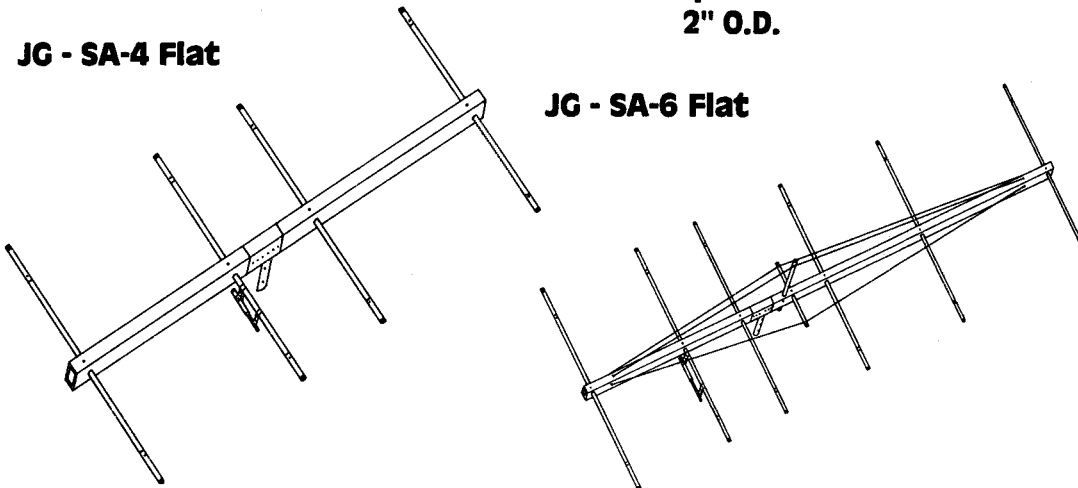
FREIGHT ONLY

SUPER AUDIO FLAT SERIES

Mast Pipe Diameter
2" O.D.

JG - SA-4 Flat

JG - SA-6 Flat



SA-8 SPECIFICATIONS

TYPE: Horizontal
GAIN: 25 DB
FRONT to BACK RATIO: 60 DB True
SIDE REJECTION: 70 DB True
BACK REJECTION: 60 DB True
WEIGHT: 60 lbs.
LENGTH: 37 feet
SWR: 1.1
WIND SURVIVAL: 100 MPH
POWER MULTIPLICATION: 150X
AUDIO GAIN: 40 DB
WIND LOAD: 12.0

FREIGHT ONLY

Limited Quantities

JO GUNN MOBILES

Limited Quantities

JG - WIZARD



JG - WIZARD SPECIFICATIONS

LENGTH: 5 feet
MOUNTING: Stainless Steel 3/8" x 24 Threaded (Standard)
COLOR: Silver with Red Trim
POWER HANDLING CAPABILITIES: 5000 Plus Watts
BAND WIDTH: Designed for 27MHZ, 40 Channels Plus
LENGTH OF COAX RECOMMENDED: 18 feet

JG - WINDJAMMER



JG - WINDJAMMER SPECIFICATIONS

LENGTH: 9 feet (Tip Adjustable)
MOUNTING: Stainless Steel 3/8" x 24 Threaded (Standard)
COLOR: Silver with Red Trim
POWER HANDLING CAPABILITIES: 7500 Plus Watts
BAND WIDTH: Designed for 27MHZ, 40 Channels Plus
LENGTH OF COAX RECOMMENDED: 18 feet

COAX - ROTORS - ACCESSORIES

JG-AUDIO FLEX 213 COAX

AUDIO FLEX HAS A CLEAR RED NON-CONTAMINATING PVC JACKET AND IS SOLD IN 500 FT. ROLLS OR SPECIAL CUT WITH HOOK-UPS PREPARED FOR JO GUNN ANTENNAS.

With Connections on Ends (Small Charge)

SPECIFICATIONS

AWG STRANDING: (7 X21) (2.17) Bare Copper
 INSULATION CORE: 285 inches
 NOMINAL CORE O.D.: 405 inches
 SHIELD: 98%
 IMPEDANCE: 50 OHMS
 NOM. VEL. OF PROP.: 66%
 POWER-HANDLING CAPABILITIES: 5 KW

COAX JUMPERS

AVAILABLE WITH JO GUNN AUDIO FLEX COAX:

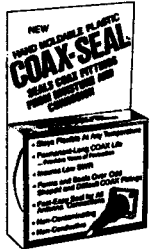
2 Ft.	9 Ft.
3 Ft.	12 Ft.
5 Ft.	18 Ft.

Jumpers are made PL to PL, or PL to Split

RG-11 CO-PHASE HARNESS
 AVAILABLE FOR BASE ANTENNAS.

COAX-SEAL JG-CS

- ★ Stays Flexible at Any Temperature
- ★ Permanent - Long Coax Life, (Provides Years of Protection)
- ★ Forms and Seals Over Odd Shaped and Difficult Coax Fittings
- ★ Fast - Easy Seal for All Antenna Connections
- ★ Non-Contaminating
- ★ Non-Conductive
- ★ Each Roll is 1/2" Wide x 60' Long



5 KW and 12 KW GAMMA KITS
 AVAILABLE FOR ANTENNAS. KIT INCLUDES GAMMA BAR, METAL STRAP, PLASTIC STRAP AND COAX SEAL

5 KW and 12 KW GAMMA BARS
 AVAILABLE SEPARATELY

Available for
Rotors:
 4 CONDUCTOR ROTOR WIRE
 8 CONDUCTOR ROTOR WIRE

**Coax Switch
 Boxes**
 Available

JG - CM 9515 ROTOR

4 Conductor
 Wire Needed

- ★ **Heavy-Duty Thrust Bearings**
 Easily handle loads up to 250 lbs.
- ★ **Double Thickness Gears**
 with 13 gears for more shear strength.
- ★ **Stainless Steel Lubricating System**
 To prevent weather damage. Works in winds up to 70 m.p.h.
- ★ **Bracketed Gear Studs**
 Keeps center engaged under strain.
- ★ **Maximum Wind Load**
 8,400 lbs. sq.
- ★ **Iron Motor Housing**
 Withstands 8,400 lbs. in vertical force.
- ★ **UL Listed**

CD 4511

4 Conductor Wire Needed

The CD 4511 will handle 8.5 sq. ft. when mounted inside tower or on a 2" x 2" x 1/4" mast. Adapter is used.

- New Low Temp. Grease
- Bell Rotator Design - total weather protection
- Dual 48 Ball Bearing Race - proven support system
- Duct Cast Ring Gear
- Stamped Steel Gear Drive System - heavy-duty, trouble-free gear train
- Illuminated Directional Indicator
- New 8 pin plug and potentiometer control unit
- Maximum mast size 2-1/16" (52mm)
- Includes MSLD Light Duty Lower Mast Mount

GENERAL ROTOR SPECIFICATIONS

ROTATION SPEED: 1 RPM
 GEAR RATIO: 300:1
 Handles Stationary and Rotating Mast from 1" to 2" OD
 Includes Preassembled Mounting Hardware
 CSA and UL Listed

JO GUNN ROTOR POST

(Available if mounting on side tower)

JG - HAM IV ROTOR

8 Conductor Wire Needed

Designed for medium communications antenna arrays of up to 15 sq. ft. wind load area.

- New low temp. grease - permits normal operation to -30 degrees F (-34 deg. C)
- New alloy ring gear - tensile strength of 100,000 psi - maximum reliability
- New indicator potentiometer - improved for greater reliability
- New ferrite beads on potentiometer wires to reduce RF susceptibility
- No more terminal strips! New Cinch® Plug connector plus 8-pin plug at control box - no screwdriver required
- Dual 98 ball bearing race for load bearing strength
- Electric locking steel wedge brake - prevents wind induced antenna movement

JG - T2X TAILTWISTER ROTOR

8 Conductor Wire Needed

Designed for medium communications antenna arrays of up to 20 sq. ft. wind load area.

- New low temp. grease - permits normal operation to -30 degrees F (-34 deg. C)
- New alloy ring gear - tensile strength of 100,000 psi - maximum reliability
- New indicator potentiometer - improved for greater reliability
- New ferrite beads on potentiometer wires to reduce RF susceptibility
- No more terminal strips! New Cinch® Plug connector plus 8-pin plug at control box - no screwdriver required
- Triple bearing race with 138 ball bearings for large load bearing strength
- Electric locking steel wedge brake - prevents wind induced antenna movement
- Maximum mast size 2-1/16" (52mm)

There are no longer available, please call to see what we are carrying at the present time. Thank You

Terms and Policy

"Prices subject to change without notice"

All orders must be prepaid with Cashier's Check or Money Order or with any of the credit cards listed below:



Freight Only orders must be prepaid with a Credit Card or Cashier's Check/Money Order only. The freight charges will also be prepaid.

Freight charges will be covered to the destination terminal or a legitimate business address only. (The freight company will not deliver to a residential area.)

Office Hours:

Tuesday - Friday - 9 a.m. - 5 p.m. (CST)

Closed on Monday & Holidays

Note: Orders or messages can be placed on Answering System after office hours.

website: www.jogunn.com

Any antenna returns must have a RMA number, issued by Jo Gunn Enterprises, before being returned.

Any WARRANTY or REPLACEMENT CLAIMS will be subject to the product being returned before being replaced.

All claims or returns must be made within 30 days from date of purchase.

There is a normal 25 to 30% restocking fee on any returned merchandise, however, JO GUNN ENTERPRISES reserves the right to deduct up to 50% on any merchandise return. This is due to the product being considered as USED once it is assembled.

NOTE: On Dealer inquiries, A Copy of Sales Tax License or Business License must be mailed or faxed to Jo Gunn Enterprises before any pricing breaks may be obtained.

**"Don't Settle
For Less,
Run the Best"**



JO GUNN ANTENNAS