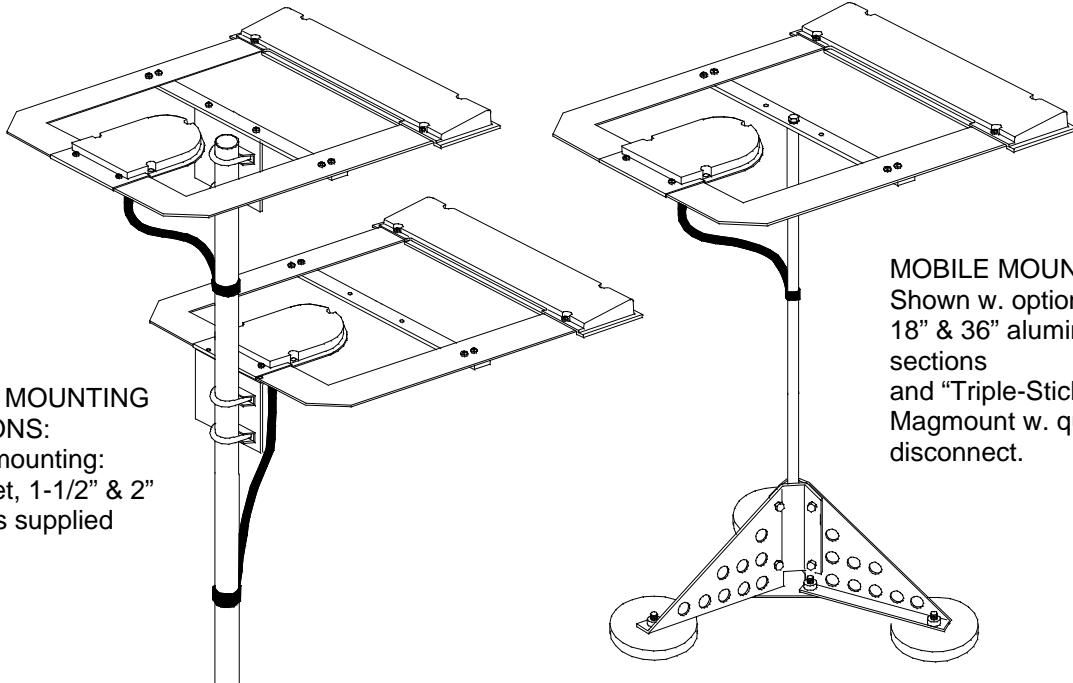




6 METER "SQLOOP"



MAST MOUNTING OPTIONS:
 Mast mounting:
 Bracket, 1-1/2" & 2"
 U-bolts supplied

MOBILE MOUNT:
 Shown w. optional 5/8 x
 18" & 36" aluminum mast
 sections
 and "Triple-Sticker" HD
 Magmount w. quick
 disconnect.

SPECIFICATIONS:

FREQUENCY	50-54 MHz TUNABLE X 100 KHz
GAIN, TYPICAL @ 7.5	4.0 dBv
POLARITY	HORIZONTAL OMNIDIRECTIONAL
IMPEDANCE	50 ohms, UNBAL.
POWER HANDLING	500 W, 1000W STACKED
CONNECTOR	SO-239
MOUNTING	MOBILE: 3/8" MTG HOLE
.....	BASE: BRACKET FOR 1-1/2" & 2" MAST
VEHICLE MOUNTING HEIGHT	18" OR MORE
STACKING SEPARATION	8-15 FT
WIND AREA171 SQ FT
WEIGHT / SHIPPING	4 LBS / UPS-6 LBS

FEATURES:

The 6M SQLOOP provides an omnidirectional, HORIZONTALLY polarized signal ideal for mobile and base communications of 1000-1500 miles on 1st skip (E-hop). The omnidirectional signal eliminates the need for towers and rotators - saves wear and tear on that equipment for chasing the serious DX. Horizontal polarity permits the SQLOOP to pick up about 4 dB of ground gain that verticals can't. As with most horizontally polarized antennas, performance improves with height above ground and ground conductivity. Good ground improves gain and raises the radiation angle slightly, while poor grounds yield less gain but lower radiation angles. Ground referred to here is real ground, 10 to 100 feet out from the antenna.

And, the SQLOOP doesn't need a metal roof, groundplane, or counterpoise, so mounting options are unlimited. For mobile use, the Sqloop is supplied with a fiberglass crossbar, drilled for a 3/8" mounting bolt. The base-mounting bracket can also be attached here for mast-top mounting, or to the leading edge of the Sqloop for side-mast mounting (1-1/2" and 2" U-bolts supplied).

Physically, the Sqloop is a 17" square, flat, reduced size loop fabricated from 2" wide TIG welded aluminum sections. The black ABS cover provides weather protection with minimum wind drag. The heart of this unique design is the inductive, magnetically shielded coupling loop that converts the 2 ohm loop impedance to a 50 ohm unbalanced feed. A small adjustable screw, accessible through the lower cover, tunes the SQLOOP from 50 to 54 MHz in 100 KHz increments.