

***** HANDLING MANUAL *****

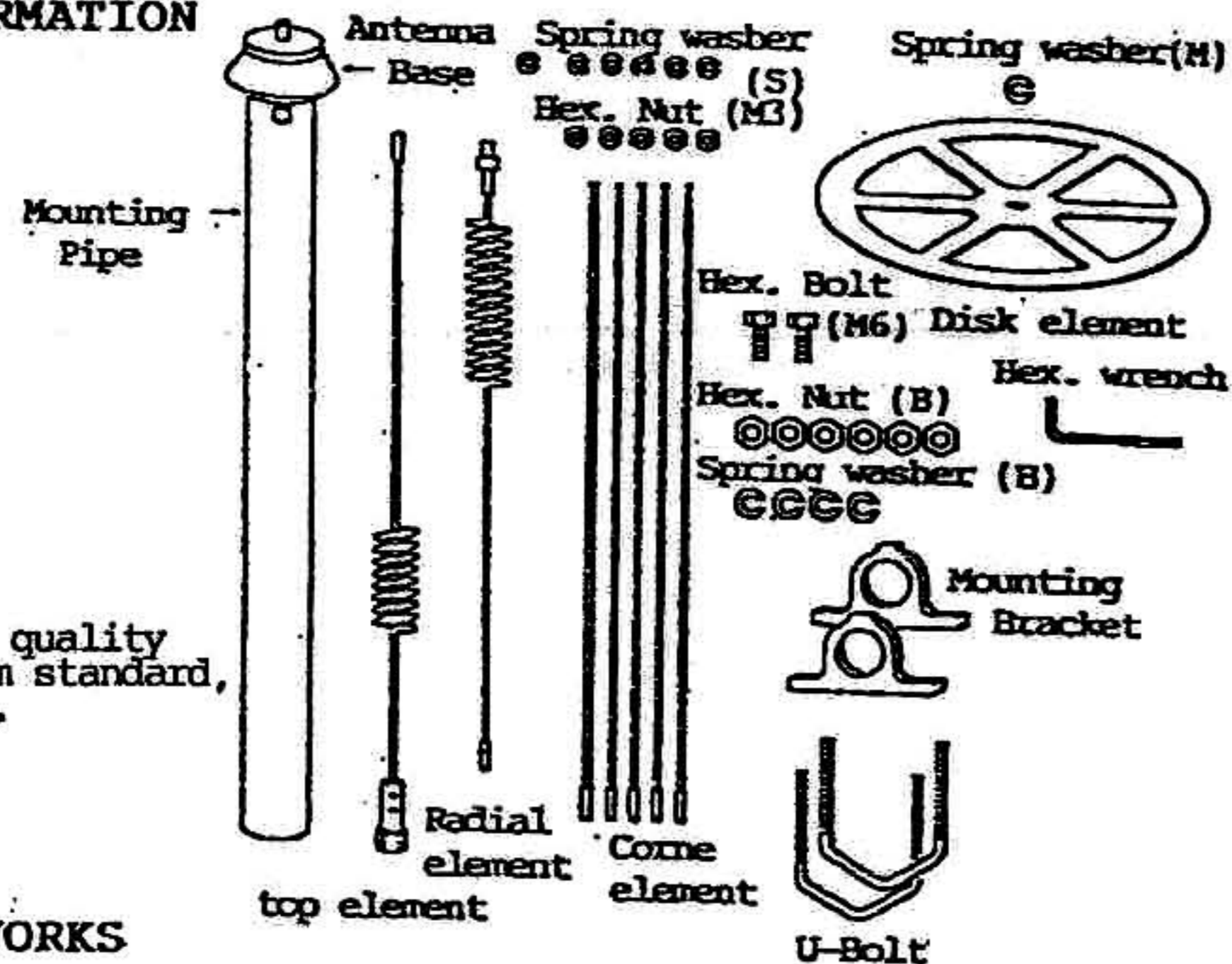
FEATURES

- 1) Wide band (RX:100-1500, TX:144/430/900/1200MHz) Discone Antenna for Base Station.
- 2) Light weight design and mountable on to balcony railing.
- 3) Omni-directional and multiplex use can be realized.

SPECIFICATIONS

Frequency	RX 100-1500MHz TX 144/430/900/1200MHz	Max. Power	100W (F3)
Impedance	50 Ohm	Mast Size	25-60mm dia.
Length	840 mm	Width	280 mm
Weight	380g	Connector	M-J type

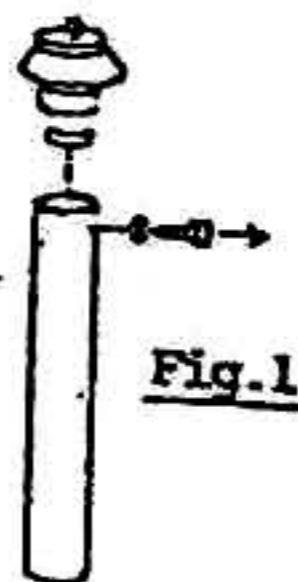
PARTS CONFIRMATION



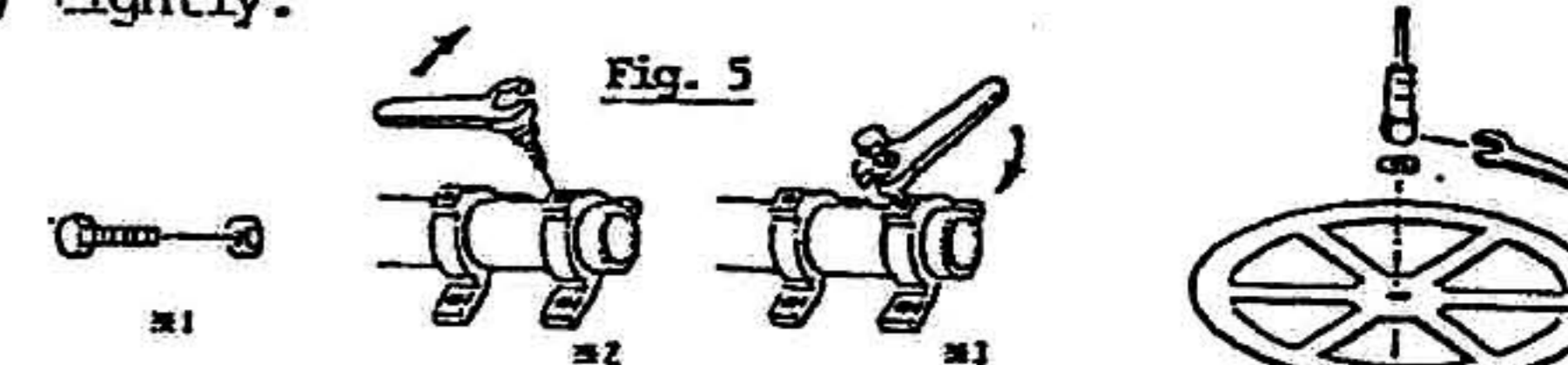
Note:
Please prepare high quality coax. cable of 50ohm standard, before installation.

ASSEMBLING WORKS

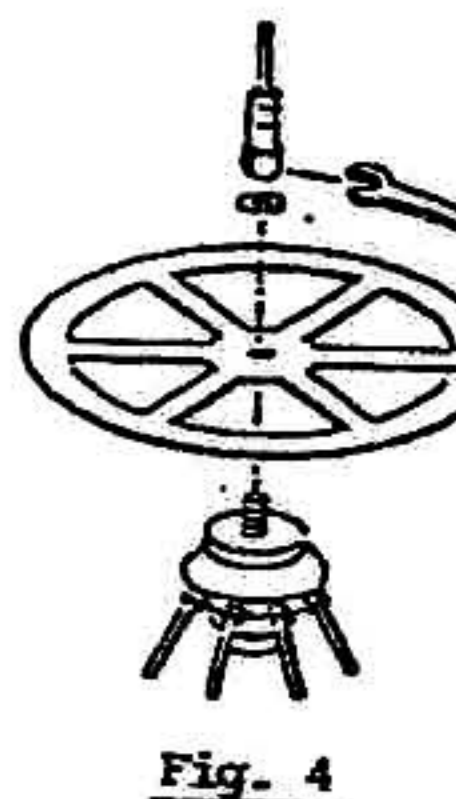
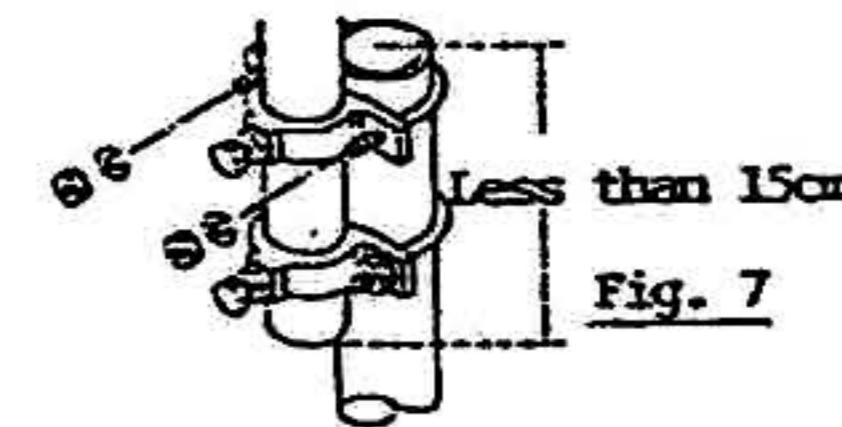
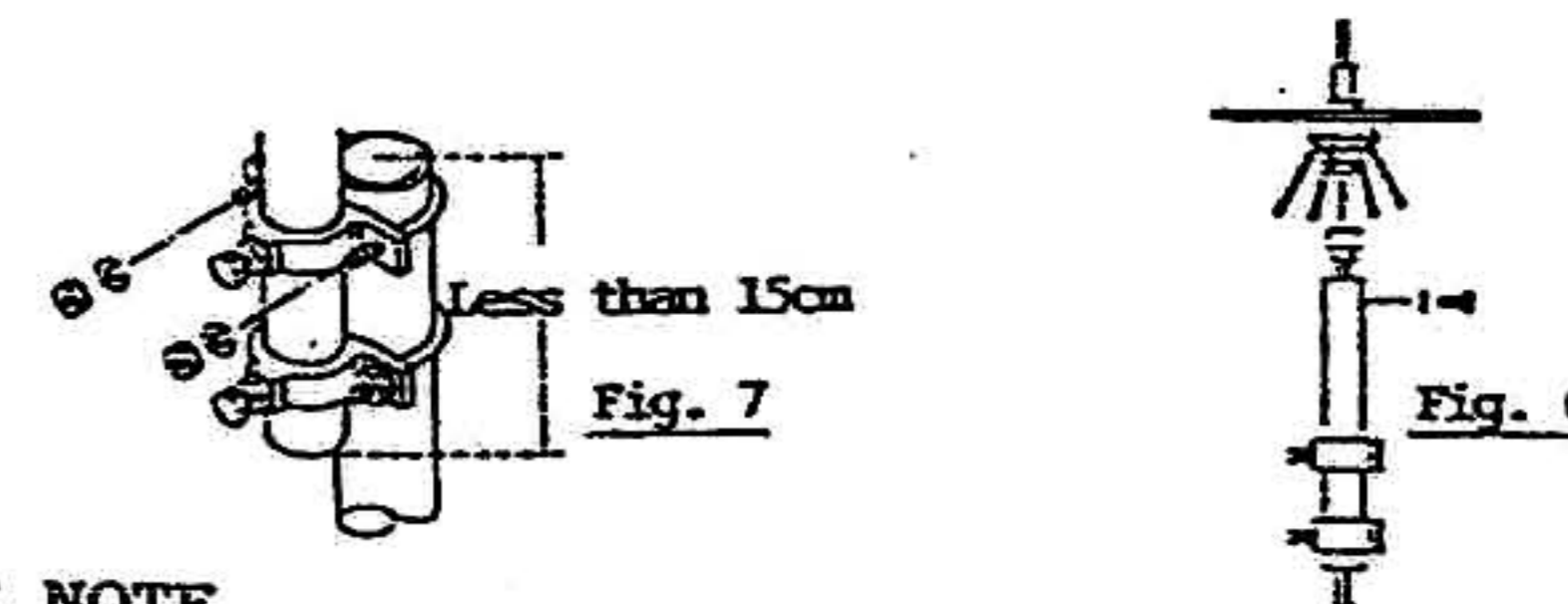
- * Prepare Spanners of 10mm and 5.5mm initially.
- 1) Refer to Fig. 1 -- Unscrew a Hex Bolt and take off the antenna base.
 - 2) Refer to Fig. 2 -- Screw the Nuts(M3) with 5 Cone Elements to the bottom.



- 3) Refer to Fig. 3 -- Screw the cone elements and radial element to the antenna base with Spring Washer and fasten the Nuts(M3) of each elements by spanner tightly.
- 4) Refer to Fig. 4 -- Put Disk Element into the antenna base and screw the top element with spring washer (M).
- 5) Refer to Fig. 5 -- Attach the Mounting Bracket to the Mounting Pipe and fasten Hex Bolts and Nuts(M6) tightly.



- 6) Refer to Fig. 6 -- Pass your coax, through the Mounting Pipe and connect to the antenna base. Assemble Mounting Pipe and Antenna Base with Hex. Bolt, which you unscrewed in step 1).
- 7) Refer to Fig. 7 -- Mount the whole Assembly onto the Mast (25-60mm dia.), with Mounting Brackets, U-bolt, Sp. Washers and Hex. Nuts.



PLEASE NOTE

- 1) Refer to Fig. 8 -- VSWR of 2m bands is adjustable by sliding the Top Element Up and Down.
- 2) Keep the antenna more than 6 feet away from other objects that may interfere with the radiation pattern.

* Specifications and appearance may be changed without notice.

WALDOL Advance & Quality
HOKUSHIN INDUSTRY CO., LTD.
Chiba-Pref., Japan