

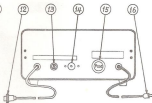
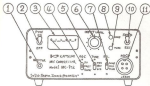


INSTRUCTION FOR
KATSUMI MIC COMPRESSOR
SOLID-STATE SPEECH PROCESSOR
model MC-902
取扱説明書



KATSUMI ELECTRIC CO., LTD.

2-1-1, NISHI 1-CHOME,



記号 T TBS マイク

MIC ①

OUTPUT ②

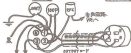


- 出力端子
①... 音声回路
②... PTT回路
③... TX-RX回路
④... TX-RX回路

記号 Y YAESU マイク

MIC ①

OUTPUT ②



- 出力端子
①... 音声回路
②... 音声回路
③... PTT回路
④... G.C.



FIG. 1. TRANSMITTER CHASSIS

FIG. 2. TRANSMITTER CHASSIS



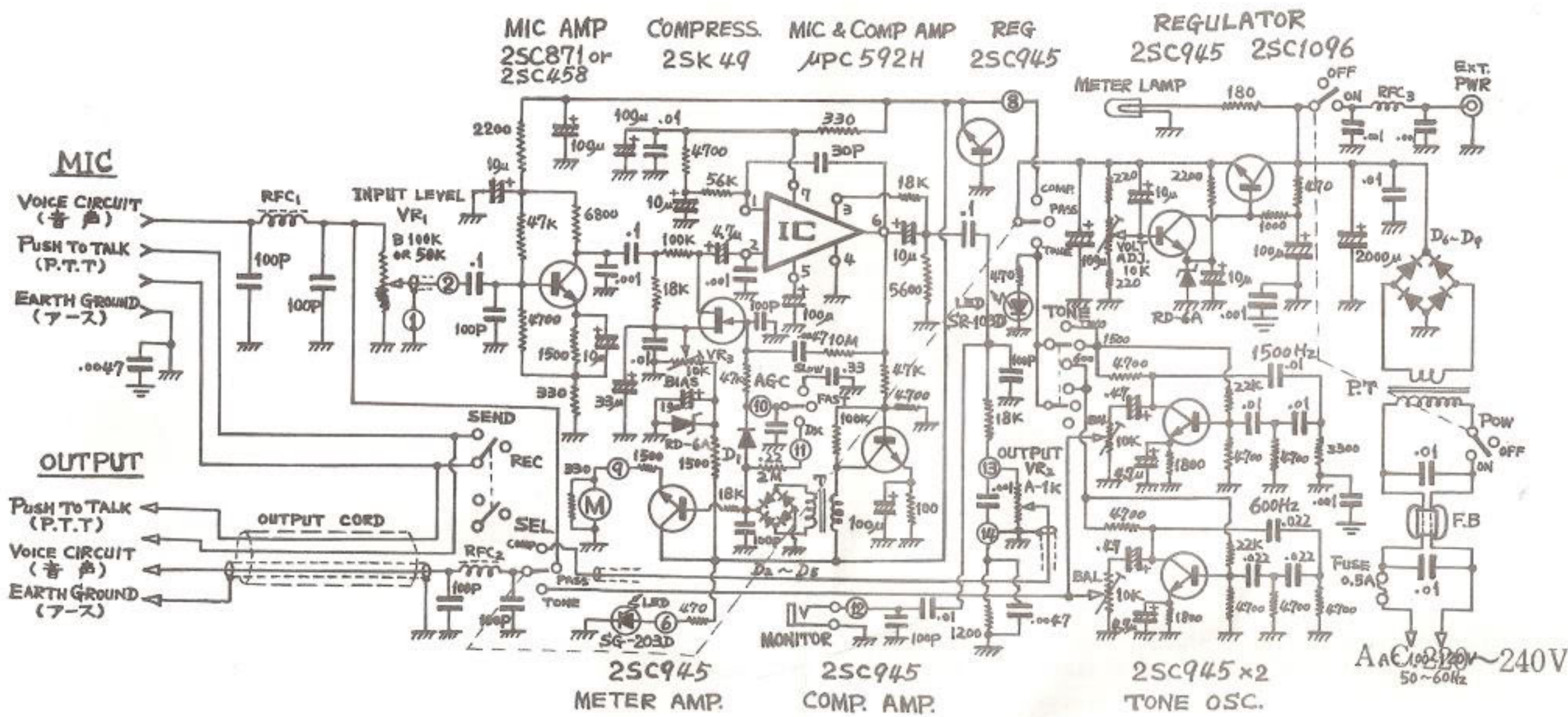
OPERATING INSTRUCTIONS

WARNING

- Increase the reflection power from up to 400W.
- Be especially careful when used.
- Always use P.P.S. and well-ventilated area.
- The compressor output plug into transmitter microphone jack.
- Work with any transmitter and your voice suddenly in transmission time a change to a special output.

ADJUSTMENT

- (1) First, insert microphone to MIC connector of MC-500. Then connect output plug to an jack of transmitter. Plug plug P. Exchange plug for microphone to out of output and also exchange P plug to microphone output.
- (2) Power switch in OFF position. HL switch in OFF position. Range switch in HP position. Position the 400 switch to HP or 400. Rotate output level control to minimum.
- (3) Plug in the power cord to the 220V AC power line, so to be in alternating current supply. Set the power switch in the ON position. The meter lamp should light. HL switch from OFF position, the pilot lamp should light.
- (4) With the microphone P.P.S. switch press or standby switch in HP position. While talking in a normal tone of voice into the microphone, increase output level setting until the level indicator meter just begins to show constant display.
- (5) Set the output level potentiometer to normal P.P.S. output current or 4.0 level of the transmitter. Full attention to making output. Do not operate the set in an over output level. The 4.0 level setting will indicate P.P.S. output current, but setting the output level to too high will produce fluctuating and spurious signals. There is an output meter to confirm proper adjustment of the level (over) setting.
- (6) HL switch in OFF position. HL switch in OFF position. Range switch in HP, 400 or 400. Set output to the normal level of the compressor.
- (7) Turn clockwise. Set the HL switch in the OFF position. The pilot lamp should light. HL switch in OFF position. The 400, 400 level and 400/400 level has been set in use to the transmitter through test.
- (8) Connect the output jack to the microphone, compressor voice and background noise heard from the microphone. The microphone is 400W level only.
- (9) External power source 220V - 50 cycle to selected Jack, negative - ground.
- (10) Set back and check, with the satisfaction that you see from the MC-500 for making the correct value.



(技術革新のため、予告なく定数および仕様を変更することがありますので 予めご了承ください)