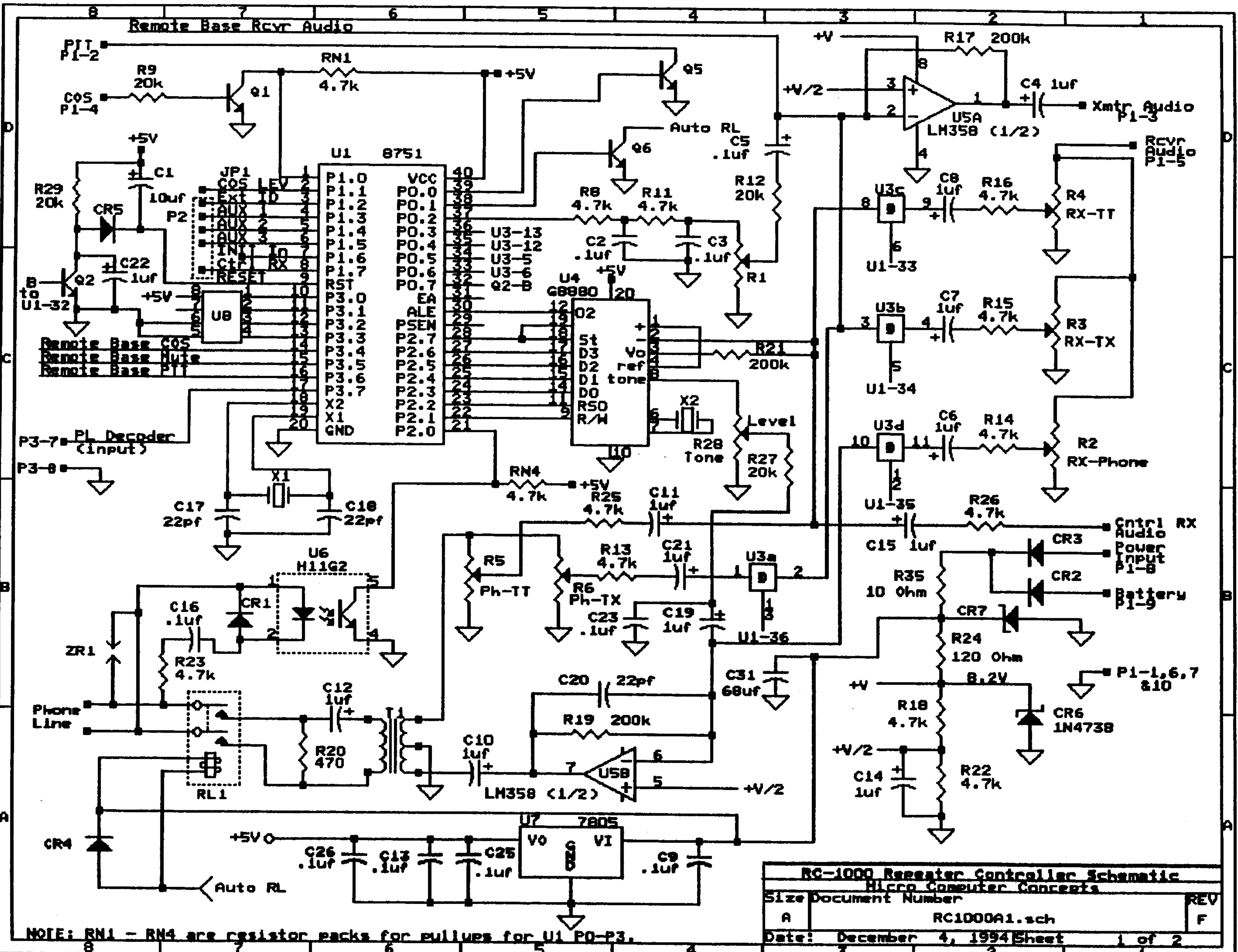


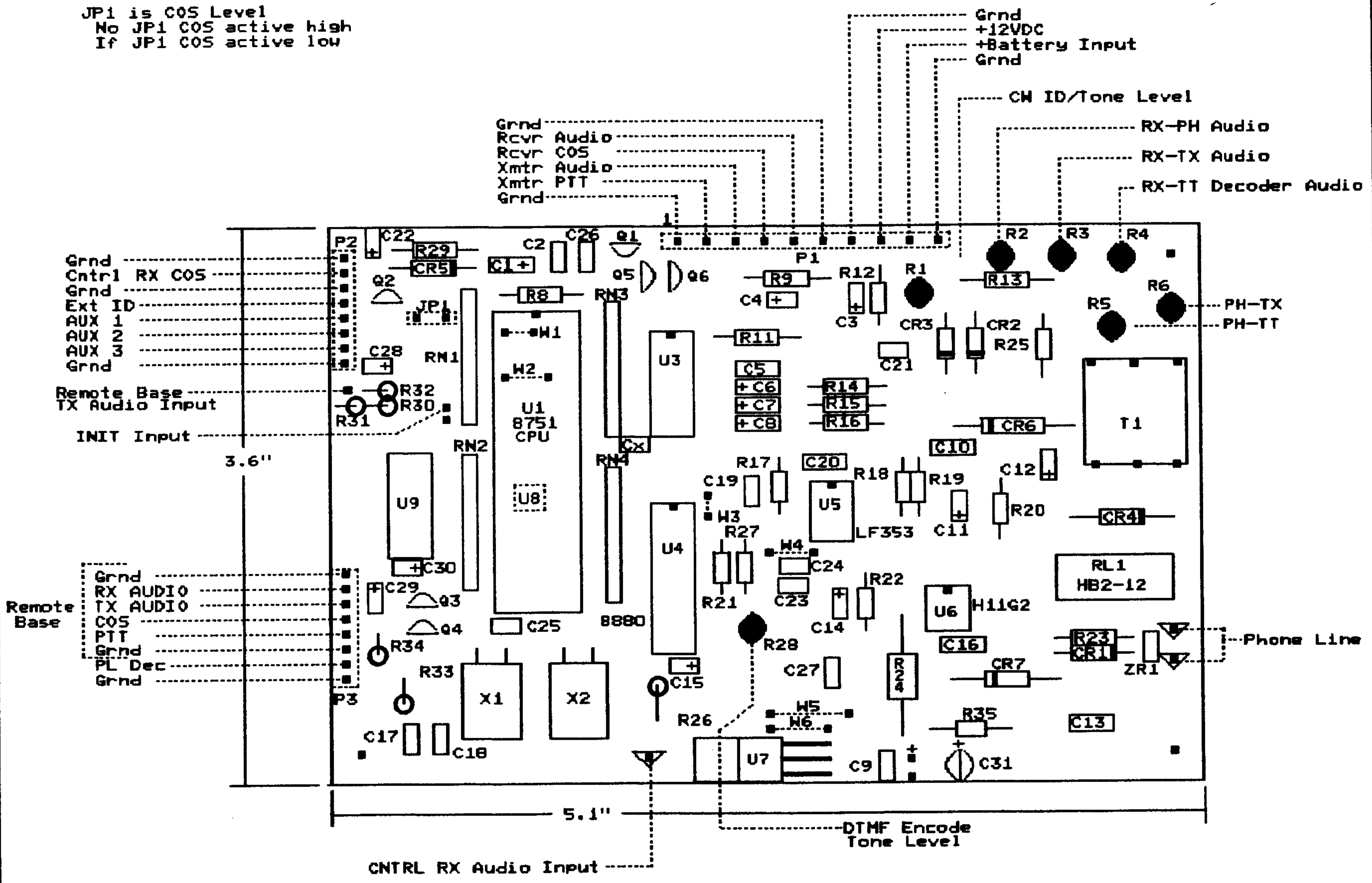
Remote Base Rcvr Audio



NOTE: RN1 - RN4 are resistor packs for pullups for U1 P0-P3.

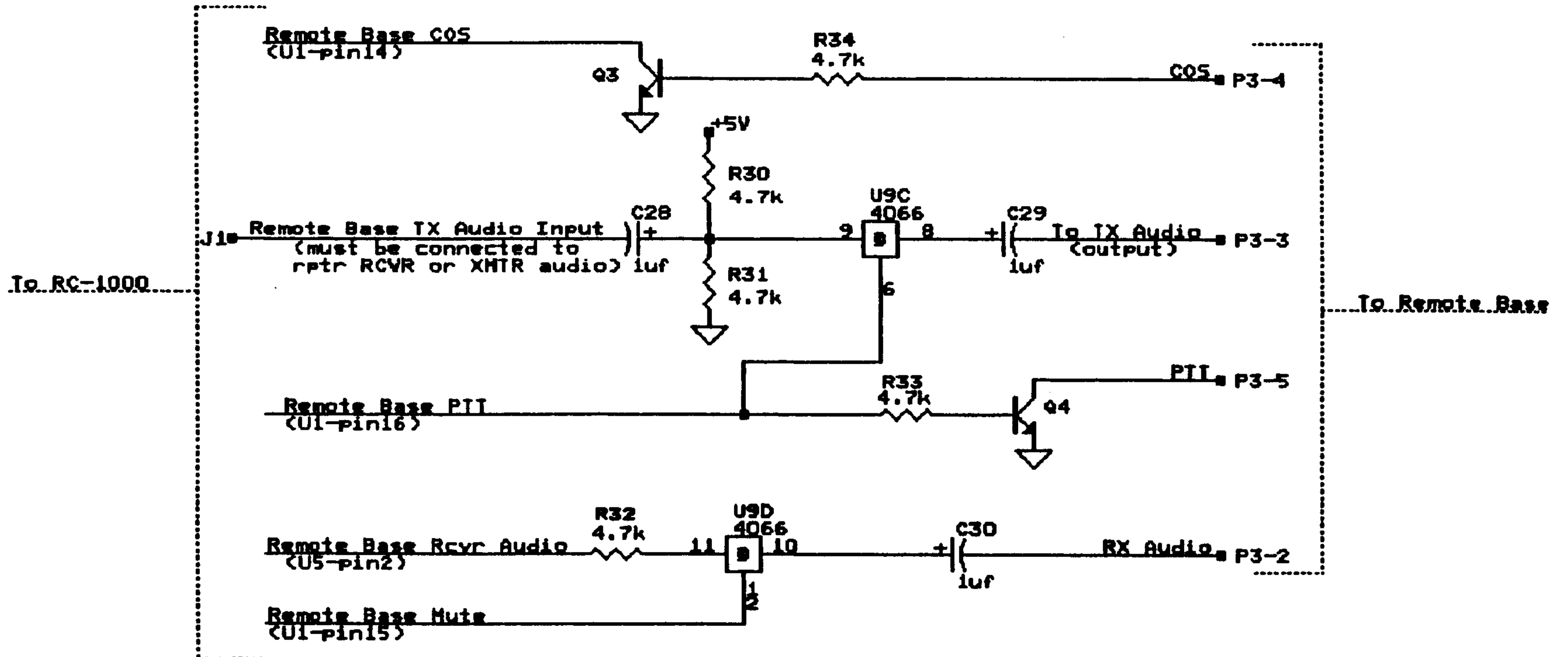
RC-1000 Repeater Controller Schematic		
Hicco Computer Concepts		
Size	Document Number	REV
A	RC1000A1.sch	F
Date:	December 4, 1994	Sheet 1 of 2

JP1 is COS Level
 No JP1 COS active high
 If JP1 COS active low



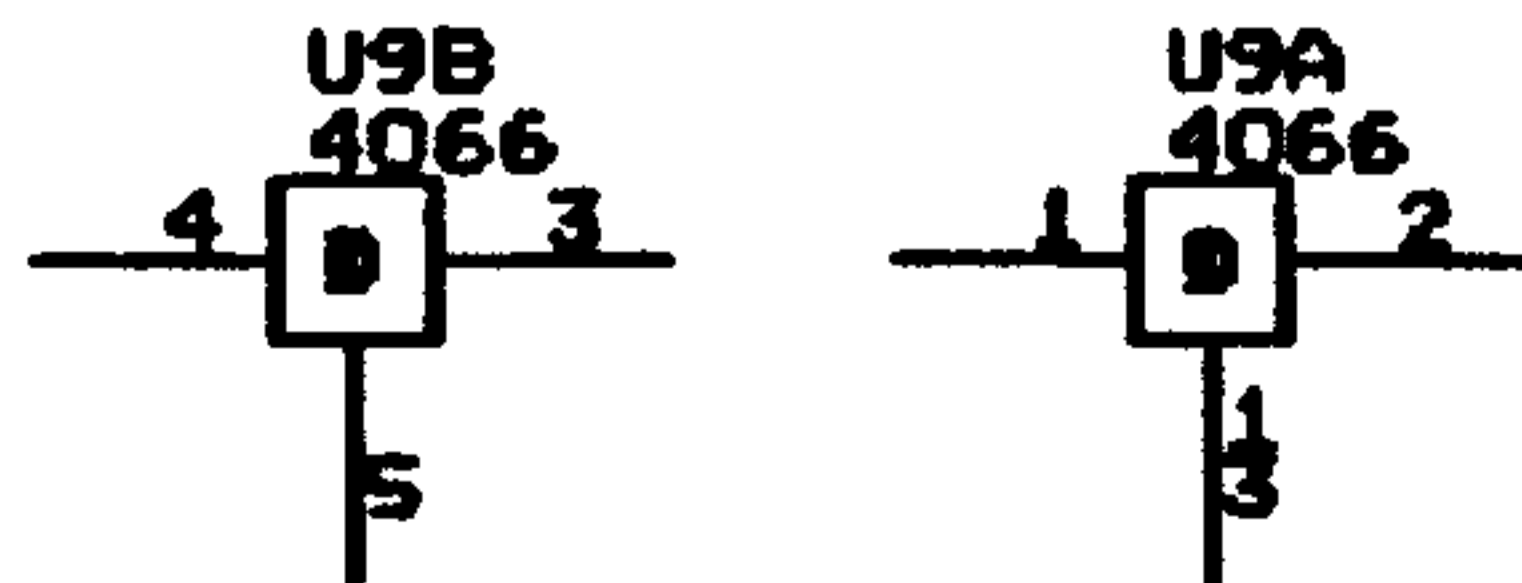
1. All resistors are 1/4 W, 5% unless otherwise stated.
2. Dash lines with labels Wx are jumpers on component side of board.
3. U8 is mounted on solder side of PC board (surface mount).

RC-1000 Repeater Controller Assembly Drawing		
Micro Computer Concepts		
Size	Document Number	REV
A	RC1040.asy	F
Date:	September 13, 1997	Sheet 1 of 1



NOTE: Remote Base TX Audio is not connected.
 If it is desired to pass all audio including touch tones connect to repeater receiver audio.
 If it is desired to mute touch tones connect to RC-1000 TX-Audio output (J2).

Unused components



RC-1000 Repeater Controller Schematic	
Micro Computer Concepts	
Size Document Number	REV
A	RC1000B1.sch
Date: December 4, 1994	Sheet 2 of 2