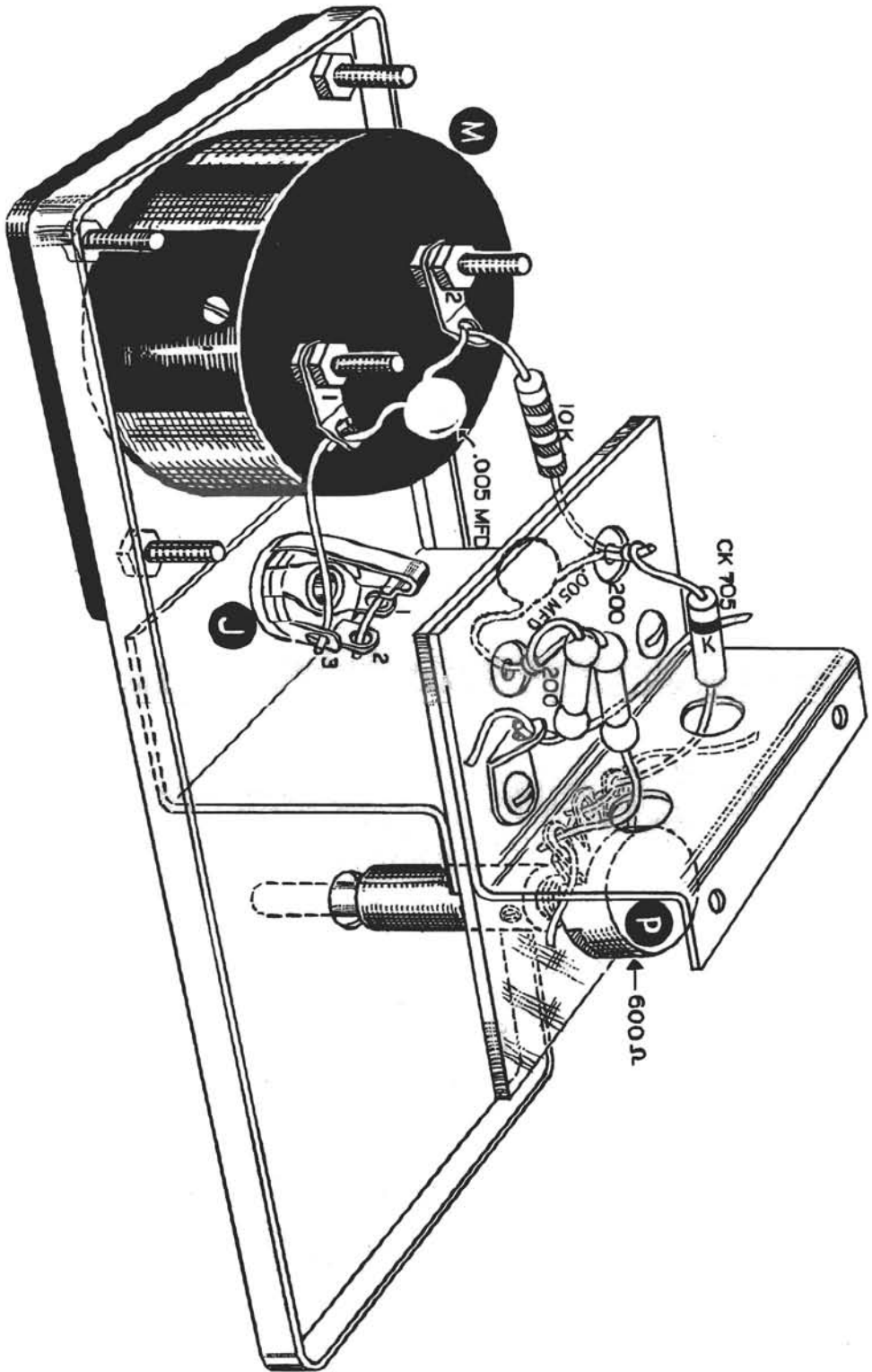


PICTORIAL 1



PICTORIAL 2

