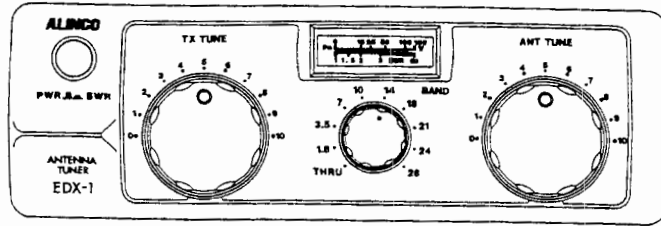
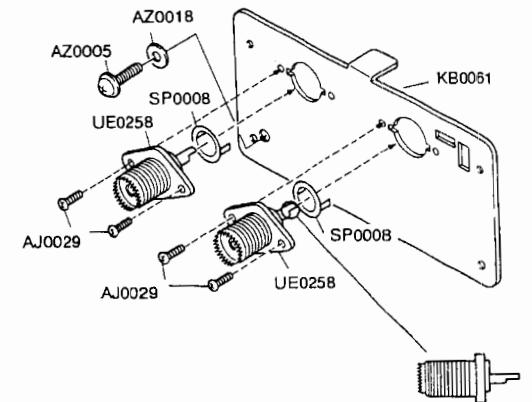
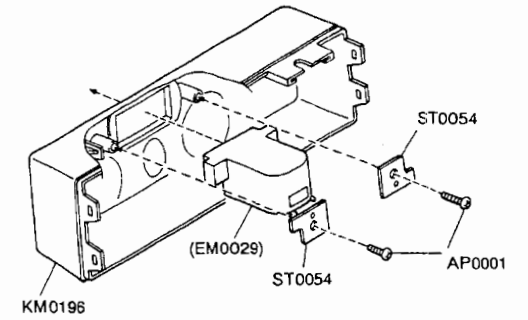
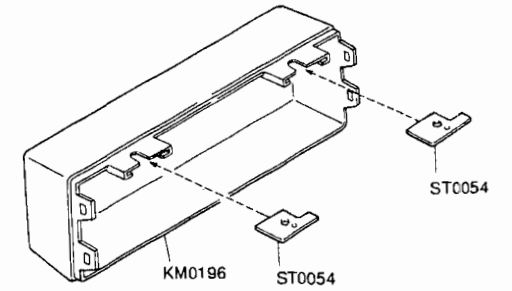
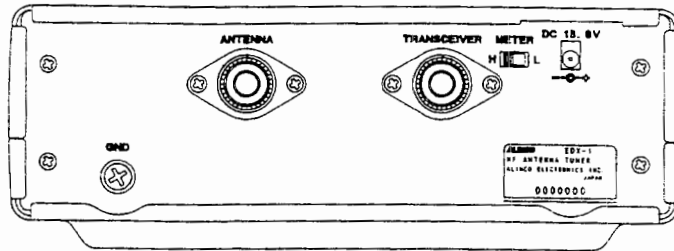


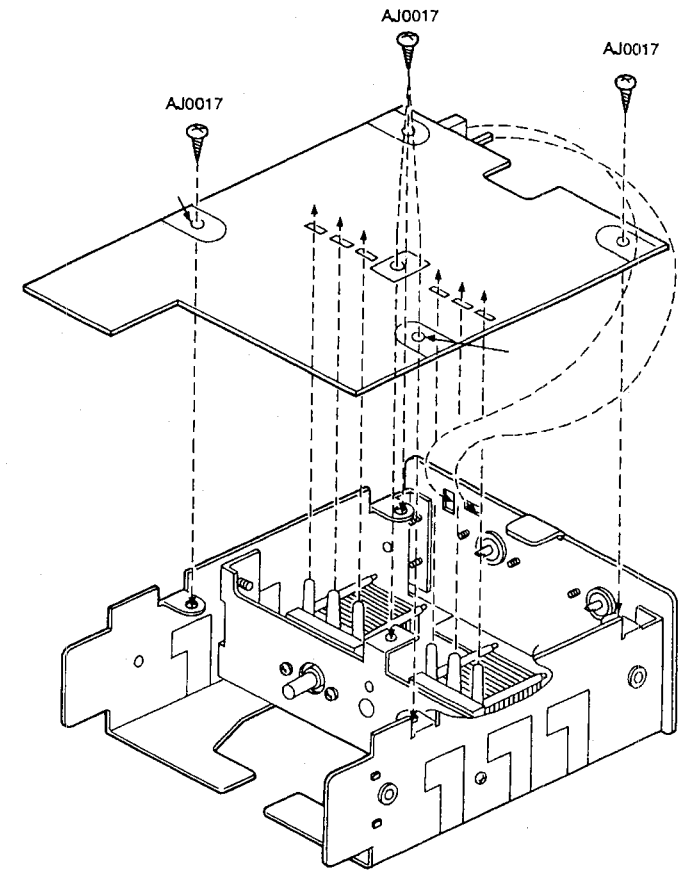
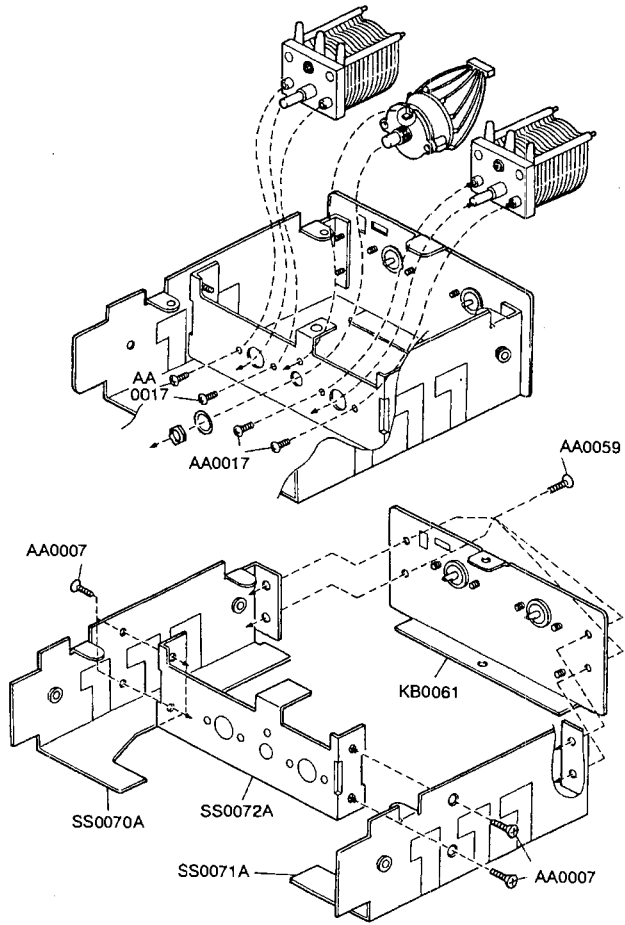
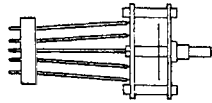
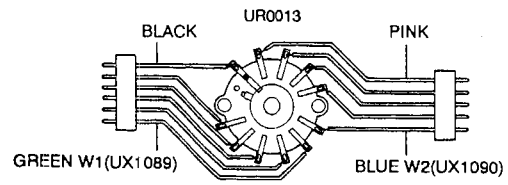
Exploded View for EDX-1

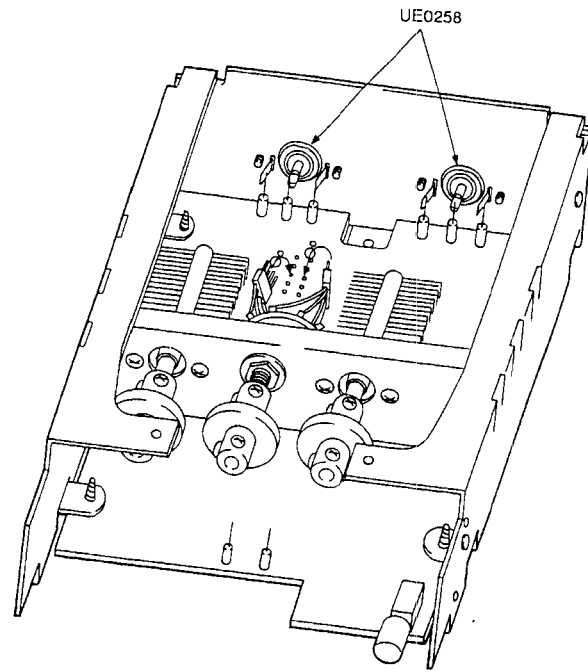
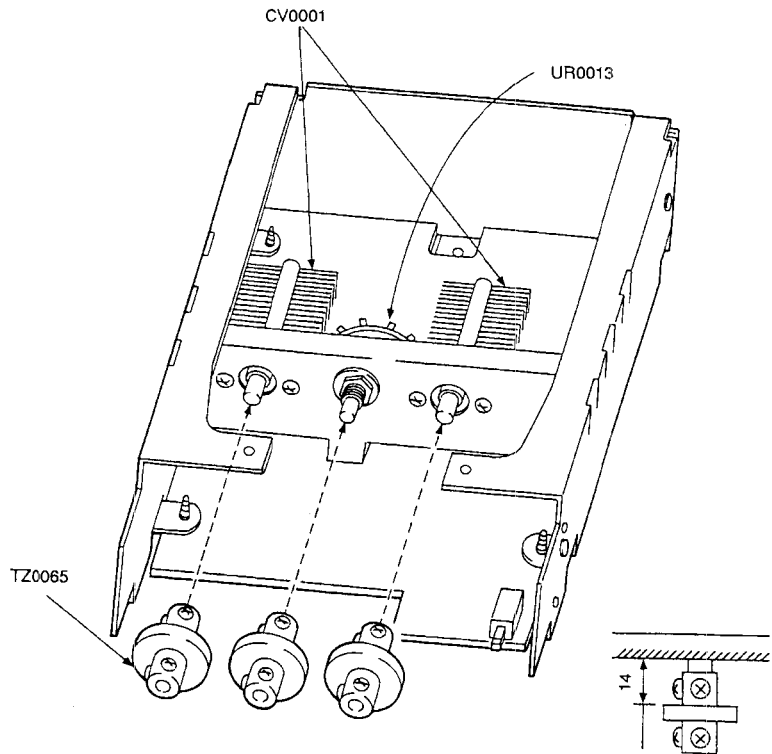
1) Front View



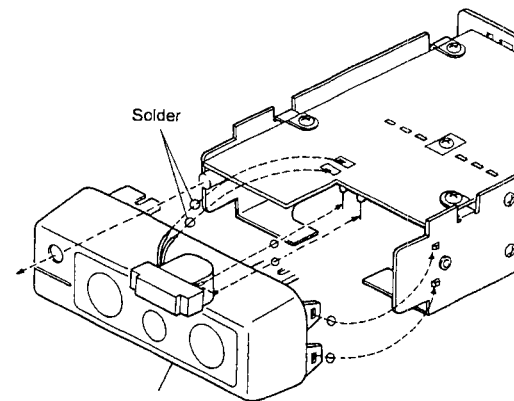
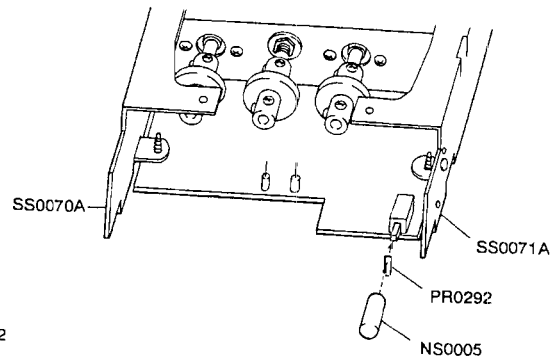
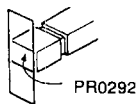
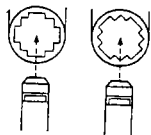
2) Rear View

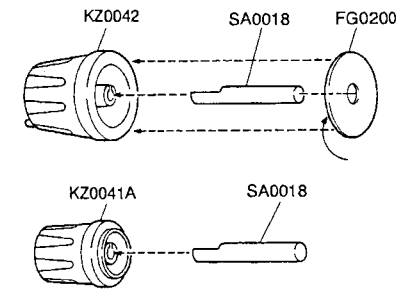
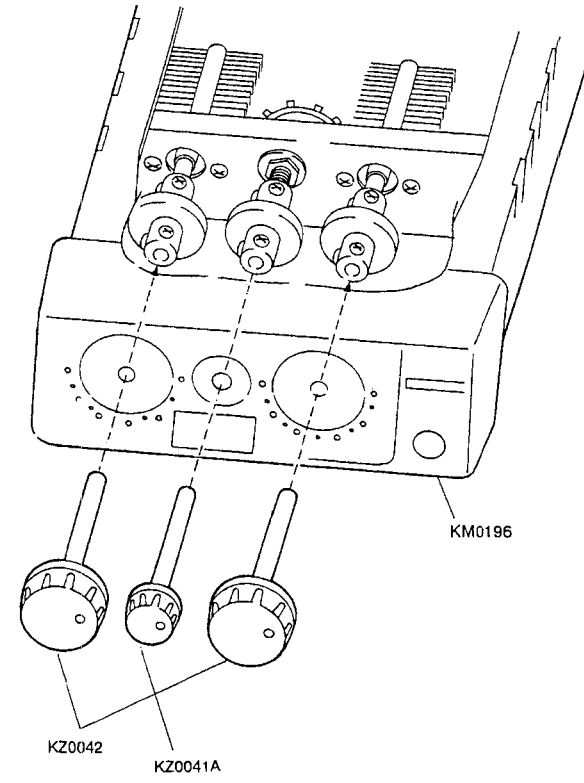
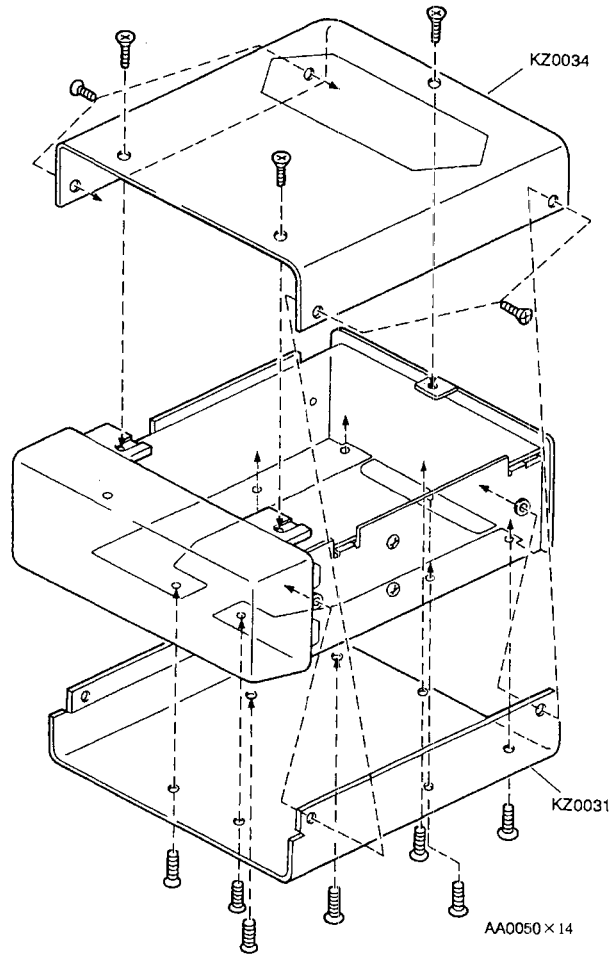






GOOD NO GOOD





Parts List for EDX-1

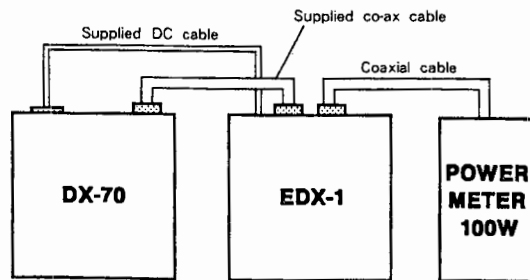
Ref. No.	Parts No.	Parts Name	Loc
Tuner			
C1	CU3047	C1608JB1H103KT-A	A
C2	CE0201	16MW10SZ SE1	M
C3	CE0201	16MW10SZ SE1	M
C4	CU3047	C1608JB1H103KT-A	A
C5	CU3027	C1608CHI221KT-A	A
C6	CU3029	C1608JB1H331KT-A	A
C7	CU3031	C1608JB1H471KT-A	A
C8	CU3031	C1608JB1H471KT-A	A
C9	CU3101	C1608JB1C473KT-A	A
C10	CU3101	C1608JB1C473KT-A	A
C11	CU3101	C1608JB1C473KT-A	A
C12	CU3031	C1608JB1H471KT-A	A
C13	CU3044	C1608JB1H562KT-A	A
C14	CS0060	TMCSA1E474MTR	A
C15	CU3047	C1608JB1H103KT-A	A
C16	CU3047	C1608JB1H103KT-A	A
C17	CU3047	C1608JB1H103KT-A	A
C18	CU3047	C1608JB1H103KT-A	A
C19	CU3047	C1608JB1H103KT-A	A
C20	CU3047	C1608JB1H103KT-A	A
C21		NC NC	
C22	CU3047	C1608JB1H103KT-A	A
C23	CU3047	C1608JB1H103KT-A	A
C24	CU3047	C1608JB1H103KT-A	A
C25	CU3047	C1608JB1H103KT-A	A
C26	CU3047	C1608JB1H103KT-A	A
C27	CU3047	C1608JB1H103KT-A	A
C28	CU3030	C1608JB1H391KT-A	A
C29	CU3047	C1608JB1H103KT-A	A
C30	CU3047	C1608JB1H103KT-A	A
D1	XD0273	RLS-93 TE11	A
D2	XD0297	MAB100 TX	A
D3	XD0127	MA704WA TX	A
D4	XD0273	RLS-93 TE11	A
D5	XD0273	RLS-93 TE11	A
I C1	XA0224	NJM2904M-T1 JRC	A
I C2	XA0224	NJM2904M-T1 JRC	A
J1	UJ0033	HEC2781-010520	M
JP1	RD1013	JPW02 R01	H
JP2	RD1013	JPW02 R01	H
JP3	RD1013	JPW02 R01	H

Ref. No.	Parts No.	Parts Name	Loc
JP4	RD1013	JPW02 R01	H
JP5	RD1013	JPW02 R01	H
JP6	RD1013	JPW02 R01	H
JP7	RD1013	JPW02 R01	H
JP8	RD1013	JPW02 R01	H
JP9	RD1013	JPW02 R01	H
JP10		NC NC	
JP11	RK1107	ERJ8GEY0R00V	A
L1	RD1013	JPW02 R01	H
L2	QR0013A	Toroidal Coil QR0013A	H
L3	QK0002	COIL QK0002	H
L4	OR0019	Toroidal Coil OR0019	H
L5	QR0020	Toroidal Coil QR0020	H
L6	QC0048	NL322522T-100J	A
O1	XT0113	2SC2873Y TE12L	A
O2	XU0148	DTC144EU T106	A
O3	XU0148	DTC144EU T106	A
R1	RK4087	ERJ14YJ151V	A
R2	RD0001	ERD S2TJ 100	M
R3	RK4029	ERJ-12YJ181H	A
R4	RK4024	ERJ-12YJ680H	A
R5	RK3050	ERJ3GSYJ103V	A
R6	RK3050	ERJ3GSYJ103V	A
R7	RK3052	ERJ3GSYJ153V	A
R8	RK3052	ERJ3GSYJ153V	A
R9	RK3060	ERJ3GSYJ683V	A
R10	RK3062	ERJ3GSYJ104V	A
R11	RK3062	ERJ3GSYJ104V	A
R12	RK3062	ERJ3GSYJ104V	A
R13	RK3050	ERJ3GSYJ103V	A
R14	RK3050	ERJ3GSYJ103V	A
R15	RK3063	ERJ3GSYJ124V	A
R16	RK3048	ERJ3GSYJ682V	A
R17	RK3050	ERJ3GSYJ103V	A
R18	RK3054	ERJ3GSYJ223V	A
R19	RK3048	ERJ3GSYJ682V	A
R20	RK3050	ERJ3GSYJ103V	A
R21	RK3050	ERJ3GSYJ103V	A
R22	RK3057	ERJ3GSYJ393V	A
R23	RK3074	ERJ3GSYJ105V	A
R24	RK3057	ERJ3GSYJ393V	A
R25	RK3057	ERJ3GSYJ393V	A
R26	RK3062	ERJ3GSYJ104V	A

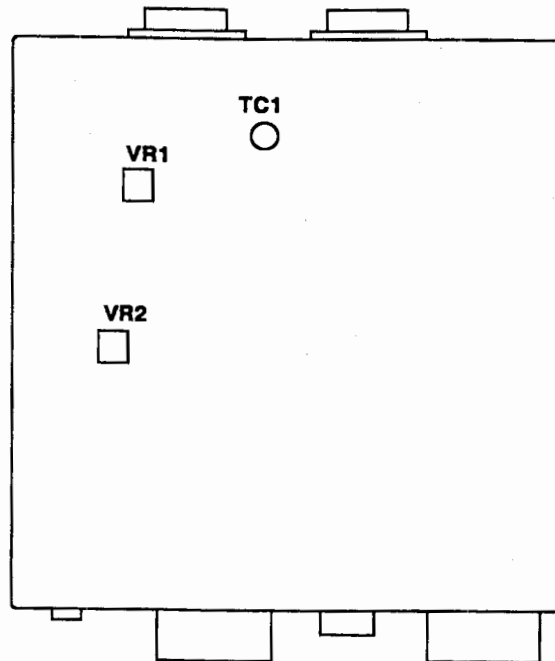
Ref. No.	Parts No.	Parts Name	Loc
R27	RK3050	ERJ3GSYJ103V	A
R28	RK0001	ERJ6GEYJ100V	A
R29	RK3026	ERJ3GSYJ101V	A
R30	RK3070	ERJ3GSYJ474V	A
R31	RK3026	ERJ3GSYJ101V	A
RL1	UL0015	SVR-12	M
RL2	UL0015	SVR-12	M
SW1	U00015	SPPJ22727A	M
SW2	UR0013	SRRY101AN-R15	H
SW3	US0020	ESD1522209	M
TC1	CT0036	ECV1ZW20X64T	M
VC1	CV0001	UV44B 300P	H
VC2	CV0001	UV44B 300P	H
VR1	RH0105	EVM1YSX508Y4	A
VR2	RH0106	EVM1YSX50804	A
W1	UX1089	Wires EDX-1 1	H
W2	UX1090	Wires EDX-1 2	H
W3	UX1091	Wires EDX-1 3	H
W4	UX1091	Wires EDX-1 3	H
	UP0291	EDX-1 PC Board	T
R33	RK3046	ERJ3GSYJ472V	A
R32	RK1011	ERJ8GEYJ470V 1 A	A

Packing		
Parts No.	Parts Name	QTY
HK0386A	PACKAGE EDX-1	1
HP0009	Protect. Bag (5X 125X 250)	1
HP00039	Protect. Bag (65X 250X 400)	1
HU0080	P.MTL/CARTON(A)DX70	1
HU0082	P.MTL/CARTON(A)DX70	1
HU0087	P.MTL/CARTON(A)DX70	1
PS0229	INSTRUCTION MANUAL EDX1	1
PT0004A	SERIAL NO. FOR CARTON	2
UA0049	EDX1 DC CODE	1
UE0264	M-M CABLE EDX1	1
Mechanical Parts		
Parts No.	Parts Name	QTY
PR0288	LABEL(SCREW STKR DX-70)	2
DS03898A	Serial No. PLATE(NEW)	1
AA0007	SCREW FH M2.6x6 Fe/Zn	4
AA0017	SCREW PH M3x8 Fe/Zn	4
AA50	SCREW OH M2.6x6 Fe/B.Zn	14
AA0059	SCREW BH M2.6x6 Fe/Ni	4
AD0005	SCREW PH/D M4x10 Fe/Zn	1
AJ0017	SCREW TH T2.6x6 Fe/N	5
AJ0029	SCREW PH T3x6 Fe/Zn	4
AP0001	SCREW PH M2.6x8 Fe/Zn	2
AZ0018	WASHER PW 4X10X0.8 Fe/Zn	1
EM0029	METER KL284A55	1
FG0200	DIAL PAT	2
KB0061	REAR CASE	1
KM0196	FRONTCASE	1
KZ0031	BOTTOM COVER DX-70	1
KZ0034	UPPERCASE EDX-1	1
KZ0041A	SUBDIAL EDX-1	1
KZ0042	DIAL DX-701	2
NS0005	SW KNOB(PS) CIRCLE	1
PR0292	LABEL (KNOB)	1
SA0018	STAY D6X60	3
SP0008	TERMINAL(GND DX-70)	2
SS0070A	CHASSIS(LEFT)	1
SS0071A	CHASSIS(RIGHT)	1
SS0072A	CHASSIS(CENTER)	1
ST0054	FIX METER	4
TZ0065	CUP RING C	3
UE0258	FM-M.D.R-(4)	2
UR0013	CONNECTOR SRRY101AN-R15	1
UX1089	WIRE EDX-1 W1	1
UX1090	WIRE EDX-1 W2	1

Connection Example



Adjustment Point



Required Test Equipment for EDX-1

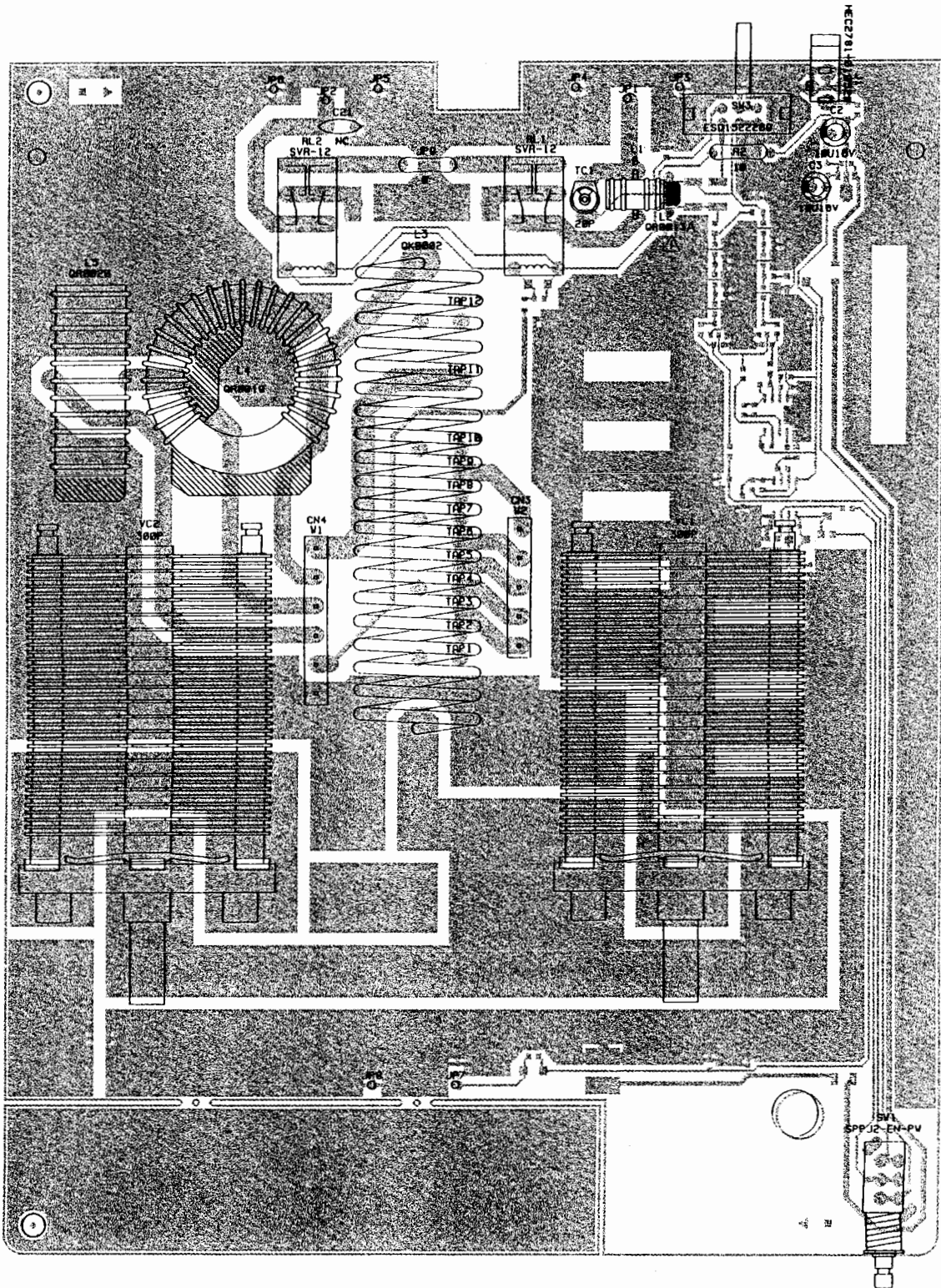
TX ON	BAND	SWR	METER	TX TUNE	ANT TUNE	METER READING	UNIT
14.1MHz 100W	1.8	ON	H	10	10	∞	SWR
14.1MHz 100W	THRU	OFF	H	-	-	100W	PWR
14.1MHz 10W	THRU	OFF	L	-	-	10W (100W on scale)	PWR
1.9MHz 100W	1.8	ON	H	4	4	1.5max.	SWR
3.6MHz 100W	3.5	ON	H	7	7	1.5max.	SWR
7.1MHz 100W	7	ON	H	6	6	1.5max.	SWR
10.1MHz 100W	10	ON	H	7.5	7.5	1.5max.	SWR
14.1MHz 100W	14	ON	H	8	8	1.5max.	SWR
18.1MHz 100W	18	ON	H	8.5	8.5	1.5max.	SWR
21.1MHz 100W	21	ON	H	9	9	1.5max.	SWR
24.9MHz 100W	24	ON	H	9	9	1.5max.	SWR
28.1MHz 100W	28	ON	H	9	9	1.5max.	SWR

Adjustment for EDX-1

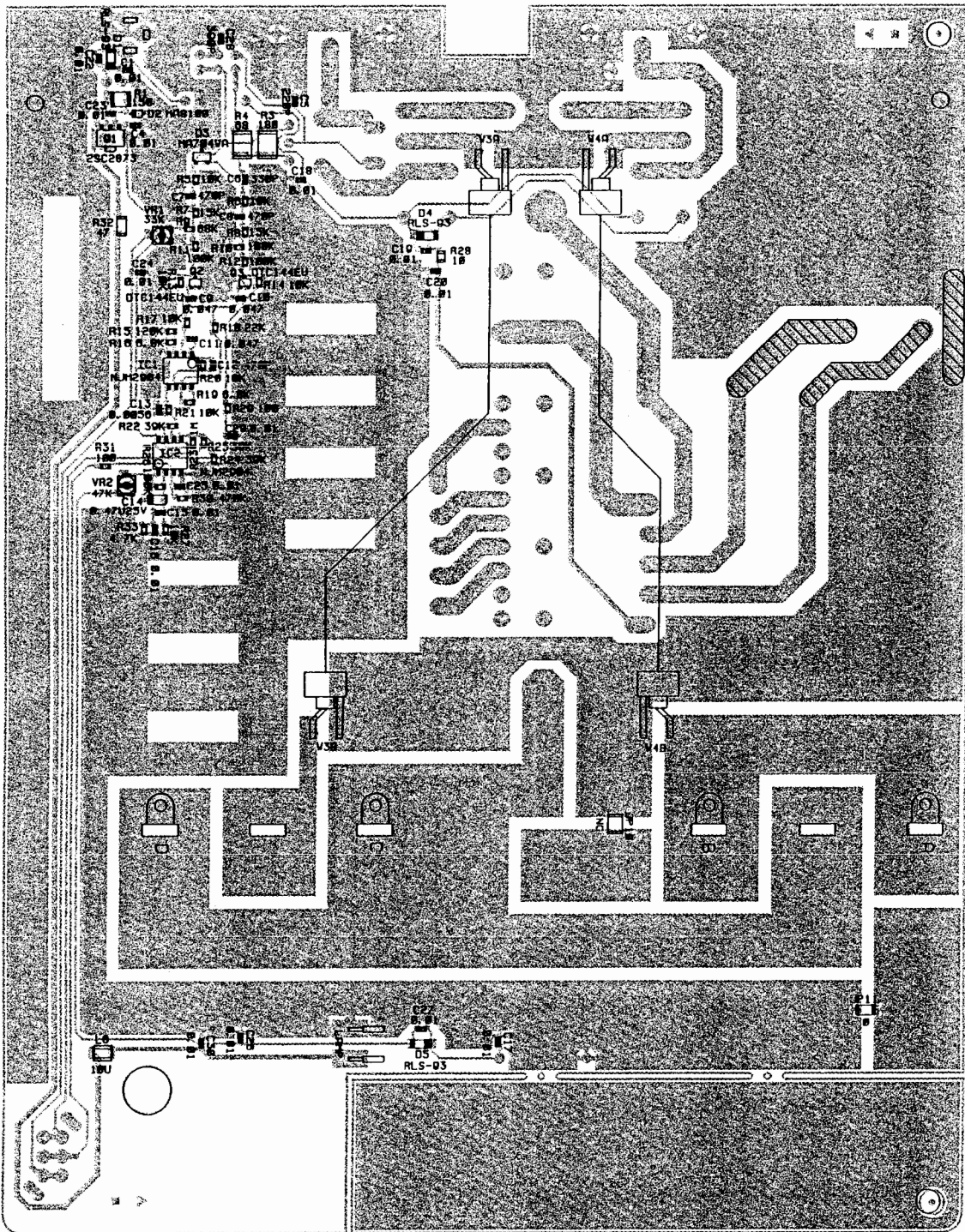
DX-70 TX FREQ. 14.1MHz TX POWER 100W						
BAND	SWR	METER	TX TUNE	ANT TUNE	ADJUST POINT	METER READING
THRU	ON	H	-	-	TC 1	MIN
1.8	ON	H	10	10	VR 2	∞
THRU	OFF	H	-	-	VR1	100W

PC Bord View for EDX-1

Side A



Side B



Schematic Diagram for EDX-1

