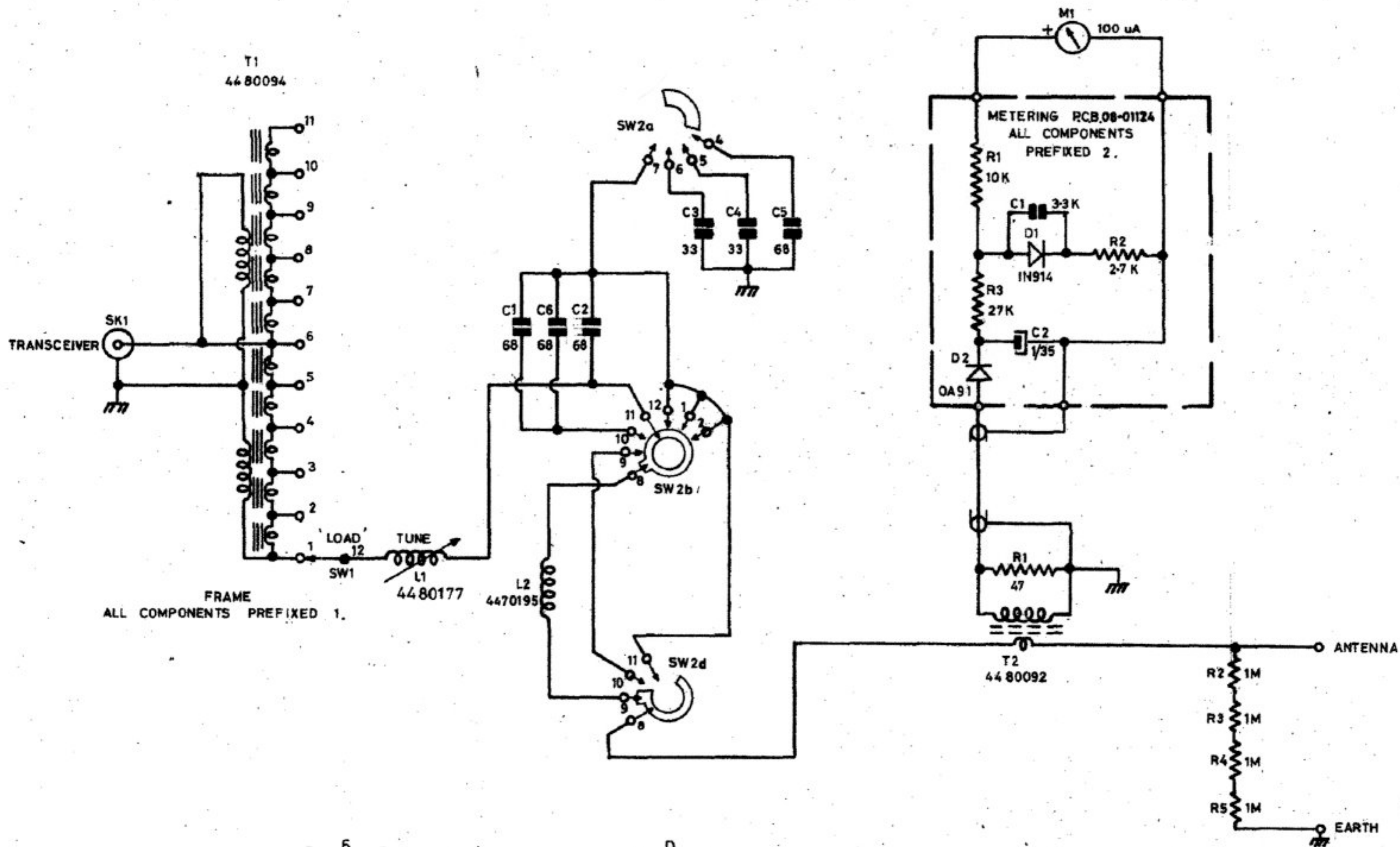


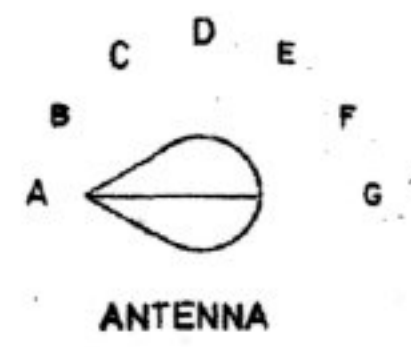
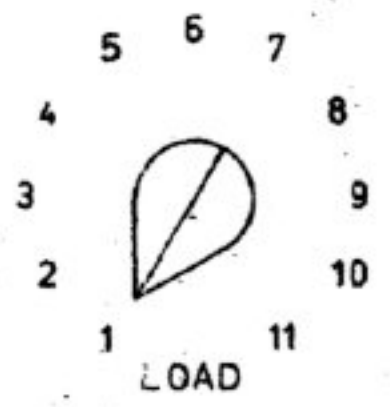
THIRD ANGLE PROJECTION

DO NOT SCALE

2. C1 was 2x68
 C6 added
 C/R 1729
 28-4-78
 3. U MS 448091
 C/R 20522
 8/8/85



FRAME
 ALL COMPONENTS PREFIXED 1.



USED ON
 7208 MK 2

CODAN PTY. LTD.			ANTENNA TUNER		
GEN. TOL.			TYPE 7208 Mk 2B		
SCALE					
DRN. <i>ms.</i>	CHKD. <i>ms.</i>	APPD. <i>ms.</i>	A3	04-00794	SHT. 1.
DATE 11-3-77	DATE 30-5-77	DATE 14-7-77			OF 1.
			3		