

LAST #s THRU THIS PAGE
USED // NOT USED

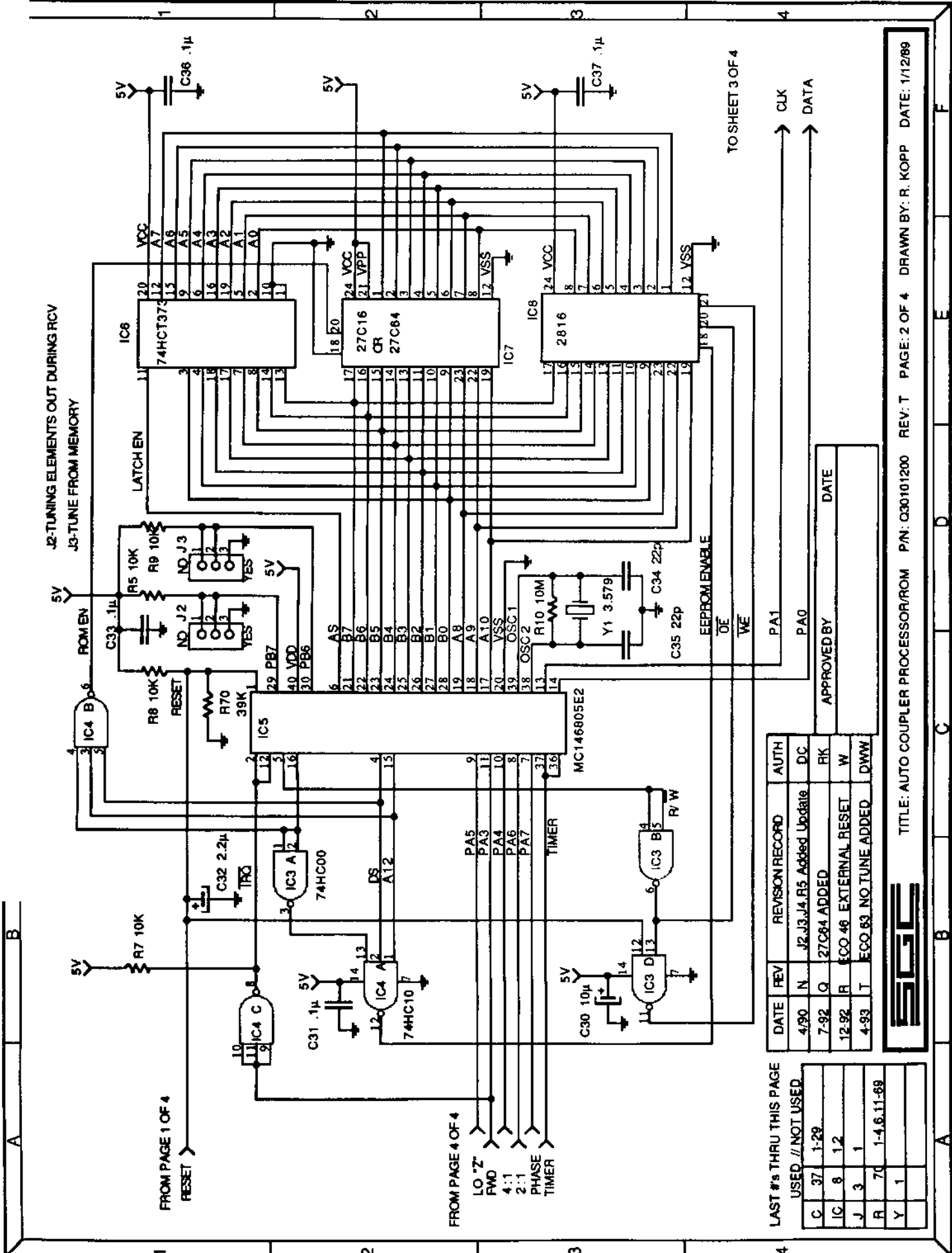
C	99	30-88
D	2	
DN	1	
IC	16	3-15
F	1	
J	4	1-3
K	28	
L	8	
Q	5	4
R	75	5-7-83, 87-70
TB	1	4-93 T

APPROVED BY: _____ DATE: _____

DATE	REV	REVISION RECORD	AUTH
7/82	Q	COATING GROUND ADDED	BK
11/82	Q	VALUE FIX C88-81	BK
5-7-83, 87-70	Q	ECO 48	W
4-93 T	T	ECO 83	DWW
8-93 S	S	ECO 99 (C38)	DWW



TITLE: AUTO COUPLER RE-POWER SUPPLY P/N: C00101200 REV: T PAGE: 1 OF 4 DRAWN BY: R.KOPP DATE: 1/28/89



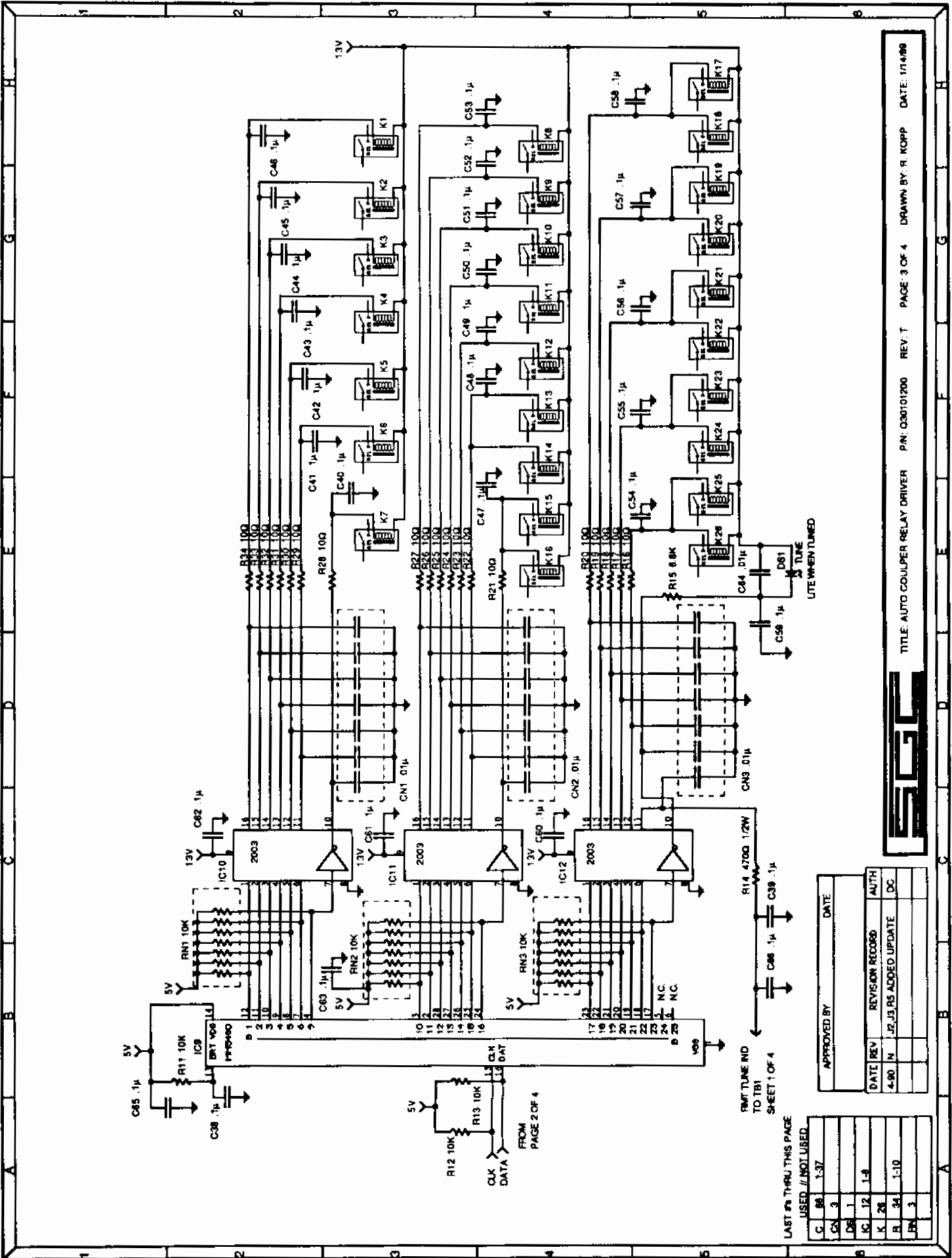
DATE	REV	REVISION RECORD	AUTH
4-90	N	J2,J3,J4,R5 Added Update	DC
7-92	Q	27C84 ADDED	RK
12-92	R	ECO 46 EXTERNAL RESET	W
4-93	T	ECO 63 NO TUNE ADDED	DWW

LAST #s THRU THIS PAGE USED // NOT USED	APPROVED BY	DATE
C 37 1-29		
IC 8 1-2		
J 3 1		
R 70 1-4.6.11-89		
Y 1		



TITLE: AUTO COUPLER PROCESSOR/ROM P/N: C30101200 REV: T PAGE: 2 OF 4 DRAWN BY: R. KOPP DATE: 1/12/89

TO SHEET 3 OF 4

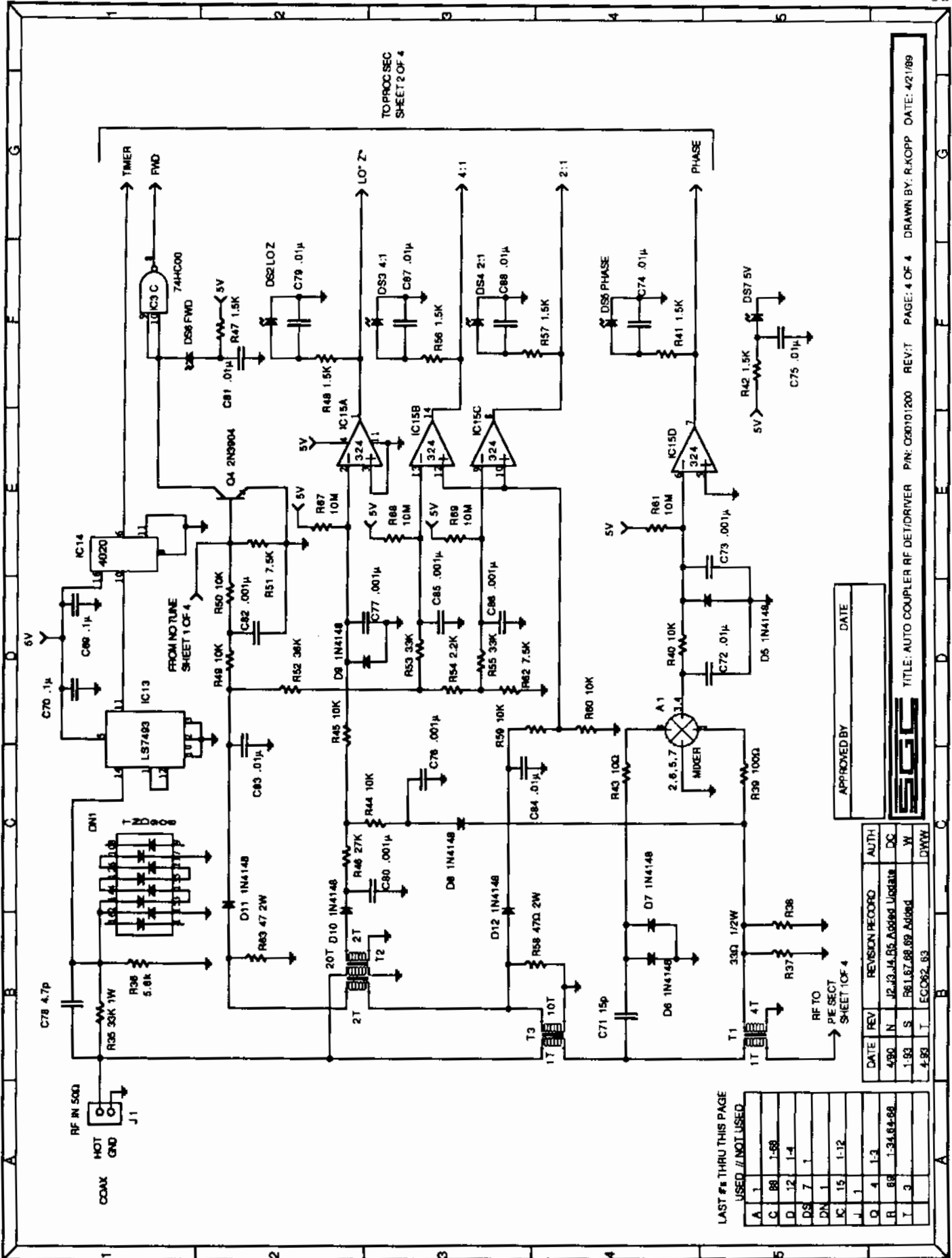


DATE	REV	REVISION RECORDED	AUTH
4-90	N	J2, J3, R5 ADDED, UPDATE	DC

APPROVED BY	DATE

TITLE: AUTO COUPLER RELAY DRIVER P/N: Q30701200 REV: T PAGE: 3 OF 4 DRAWN BY: R. KOPP DATE: 1/16/89





TO PROC SEC SHEET 2 OF 4

LAST #s THRU THIS PAGE USED // NOT USED

A	1	
C	88	1-88
D	12	1-4
DS	7	1
DI	1	
IC	15	1-12
J	1	
O	4	1-3
R	88	1-34, 64-88
T	3	

APPROVED BY _____ DATE _____

DATE	REV	REVISION RECORD	AUTH
4/90	N	J2, J3, J4, R5 Added Update	DC
1-93	S	R6, R7, R8, R9 Added	W
4-93	T	EC062, 83	DIWM

TITLE: AUTO COUPLER RF DET/DRIVER PIN: 060101200 REV: T PAGE: 4 OF 4 DRAWN BY: R.KOPP DATE: 4/2/89