

## TRANSISTORIZED MICROPHONE WITH EXTERNAL TONE AND VOLUME CONTROLS

The Astatic 575M-6 ceramic power microphone offers the CB'er modern "tear-drop" styling and features along with the sound and "talk-power" made famous by the Astatic E104 for over 40 years.

An output impedance compatible with the inputs of almost all commercial transceivers and externally adjustable high gain amplifier ensures desired modulation level. The 575M-6 has easily accessible slide controls for volume and tone adjustment so that the correct modulation level and tone quality can be set for each operators voice. The 575M-6 pre-amplifier is powered by a readily available, easily replaced, 9 volt battery. The 575M-6 has a six wire coil cord which allows for relay, electronic or virtually any type hookup with almost any transceiver. The audio line is open during receive.

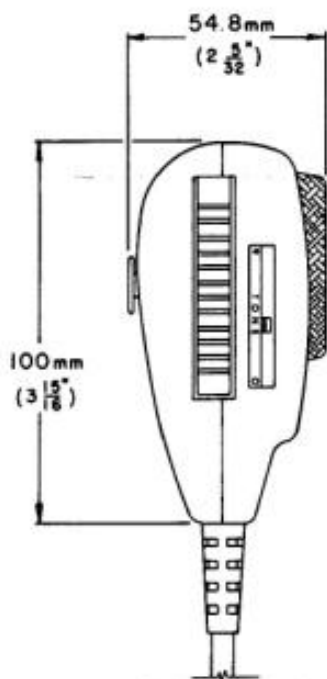
### SPECIFICATIONS

- TYPE: Transistorized Ceramic
- FREQUENCY RESPONSE: Adjustable (See Fig. 1)
- MAXIMUM OUTPUT LEVEL: -35dB below 1 volt/microbar at 1K Hz into 1 megohm load.  
-44 dB below 1 volt/microbar at 1K Hz into 5000 ohm load.
- OUTPUT ADJUSTMENT: 40 dB minimum range with external slide control.
- IMPEDANCE: 5000 ohms max.
- RECOMMENDED LOAD: 100 ohms and up; performs well over entire impedance range up to open circuit.
- SOLID STATE: Field effect transistor amplifier and ceramic element have good temperatures and humidity tolerance.
- EXTERNAL VOLUME CONTROL: Easily adjusted external slide control for gain adjustments.
- TONE CONTROL: Easily adjusted external slide control (See Fig. 1)
- POLAR PATTERN: Semi-directional
- SWITCH: Operated by press-to-talk lever. 4 PDT battery in "off" position. Operates control circuit and amplifier in "on" position. Long life trouble free switch has smooth feel when operated by either hand.
- CONTROL CIRCUIT: 575M-6 is factory wired so that "Relay", "Electronic" or "Special" switching is determined by the hookup at the plug or in the transmitter for wired in units.
- CABLE: 575M-6 supplied with five conductor (one conductor shielded) coiled cord that extends to 2.3m (7½ feet). Durable strain relief bushing protects against cable breakage at microphone housing.
- HOUSING: Attractive, durable high impact molded black plastic.
- FULLY SHIELDED: Reduces possibility of external interference and RF feedback.
- BATTERY: 9 volt; Eveready 216, Burgess 206, Ray-O-Vac 1640, etc. (Not supplied)
- BATTERY LIFE: Approximately 6 months (based on normal usage).
- MOUNTING BRACKET: Design permits mounting on vertical or horizontal surface.
- SIZE: 100mm (3-15/16") high x 75.4mm (2-31/32") wide x 54.8mm (2-6/32") deep.
- WEIGHT: 227 grams (8 oz.)



# SPECIFICATIONS

# MODEL 575M-6



## RESPONSE CHARACTERISTICS

### TYPICAL FREQUENCY

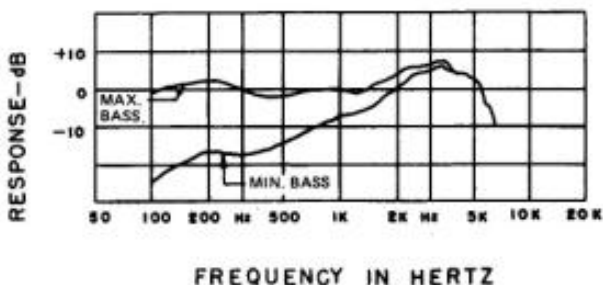
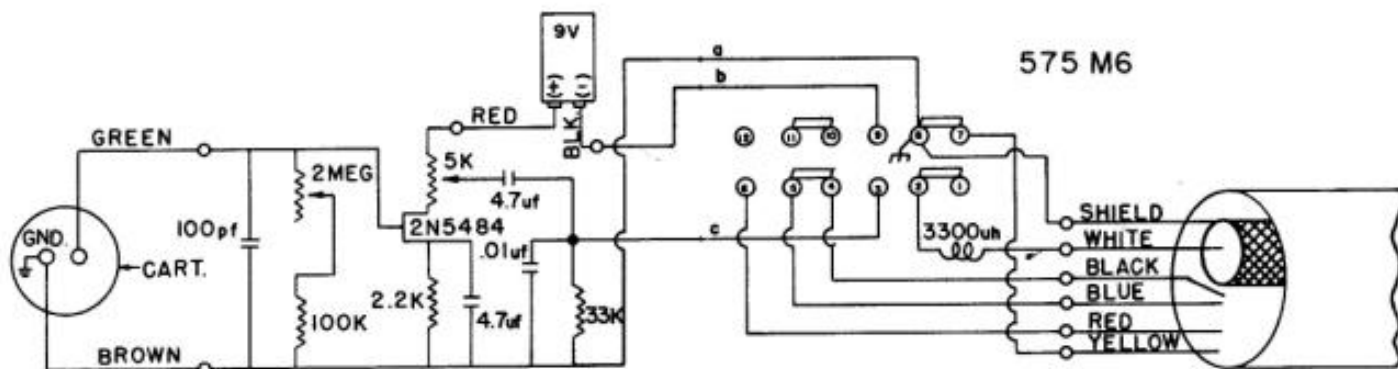


Fig. 1



## BATTERY REPLACEMENT

Remove the rear housing by removing the four screws. Carefully lift off the rear housing. Unsnap the battery from the battery connector and install a new battery. Carefully replace the rear housing and fasten with the four screws previously removed. Depress the switch lever fully while tightening the screws.

## VOLUME AND TONE ADJUSTMENTS

At a speaking distance of approximately 2 inches (or the position you prefer) with the external volume control set at 0 and the tone control set in the center position, adjust the volume control for the correct modulation level. Sliding the volume control toward 9 increases the volume. The external tone control should then be adjusted for the most intelligible sound. Slide the tone control toward 0 for an increase in bass response and toward 9 for a decrease in bass response.