



MADE IN U.S.A.

D104-M6B / D104-M6C
TRANSISTORIZED COMMUNICATIONS
MICROPHONE

Description

The D104-M6 series microphones are quality performance field effect amplified "power" microphones for amateur, citizen band, mobile, aircraft, marine applications. The housing of the D104-M6B is molded black ABS with a chrome plated grille screen (pictured at right). The housing of the D104-M6C is molded black ABS, the front half is chrome plated and the grille screen is chrome plated.

An output impedance compatible with the inputs of almost all commercial transceivers and externally adjustable high gain amplifier ensures desired modulation level. The D104-M6 has an easily accessible control for volume so that the correct modulation level can be set for each operators voice. The D104-M6 preamplifier is powered by a readily available, easily replaced, 9 volt battery. The D104-M6 has a six wire coil cord which allows for relay, electronic or virtually any type hookup with almost any transceiver. The audio line is open during receive.

Specifications

- Type: Transistorized Ceramic
Frequency Response: See Frequency Response Curve on other side
Output Level: -44 dB below 1 volt per microbar at 1 kHz into 1 megohm load
Output Adjustment: Approximately 40 dB range
Impedance: 5000 ohms max., recommended load of 100 ohms and up; performs well over entire impedance range up to open circuit
Connector: Available stripped and tinned or configured with 4 pin (DX1) or 5 pin (DX2) DIN.
Cable: Five conductor (one conductor shielded) coiled cord that extends to 2.3 m (7 1/2 ft.). Durable strain relief bushing protects against cable breakage at microphone housing.
Housing: Durable high impact molded black ABS (front housing chrome plated on D104-M6C)
Screen: Chrome Plated
Battery: Standard 9 Volt Battery (Not Included)
Size: 86 mm (3 3/8") high x 60.5 mm (2 3/8") wide x 27 mm (1 1/16") deep
Weight: 220 grams (7 3/4 oz.)



ASTATIC Quality

All D104-M6B microphones are audio tested and inspected prior to shipment. Our absolute commitment to quality insures that Astatic microphones remain the Best Value in today's competitive industry.

CUT HERE

WARRANTY (LIMITED)

Astatic Radio Communication Microphones are warranted for one year from the date of purchase by CTI Audio, Inc. to be free from defects in material and workmanship. In event of such defect, product will be repaired or replaced at our option with a new unit of equal or superior value. This will be at no charge if delivered prepaid to CTI Audio, Inc. or an authorized service center, together with the sales slip or other proof of purchase. The unit will be returned prepaid. Warranty excludes exterior finish, appearance items, or malfunction due to abuse or operation under other than specified conditions. Consequential or incidental damages are excluded.

SHIPPING INSTRUCTIONS

Carefully repack the unit and return it prepaid to:

CTI Audio, Inc. (Attention: Service Dept.)
341 Harbor Street, Conneaut, Ohio 44030

If outside the United States, contact your dealer or distributor for warranty details.



PURCHASE REGISTRATION

DATE PURCHASED MODEL

* PLEASE COMPLETE AND RETURN WITHIN 10 DAYS TO CTI AUDIO, INC., P.O. BOX 120 CONNEAUT, OH 44030 *

NAME ADDRESS

CITY STATE ZIP PHONE NUMBER

PURCHASED FROM ADDRESS

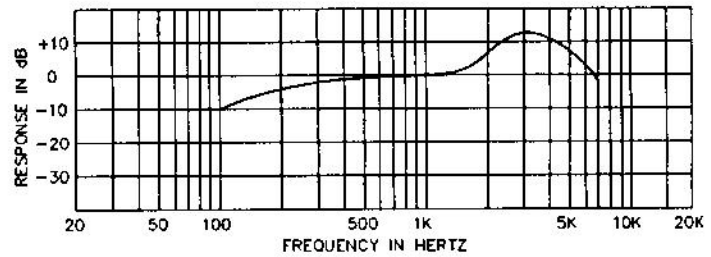
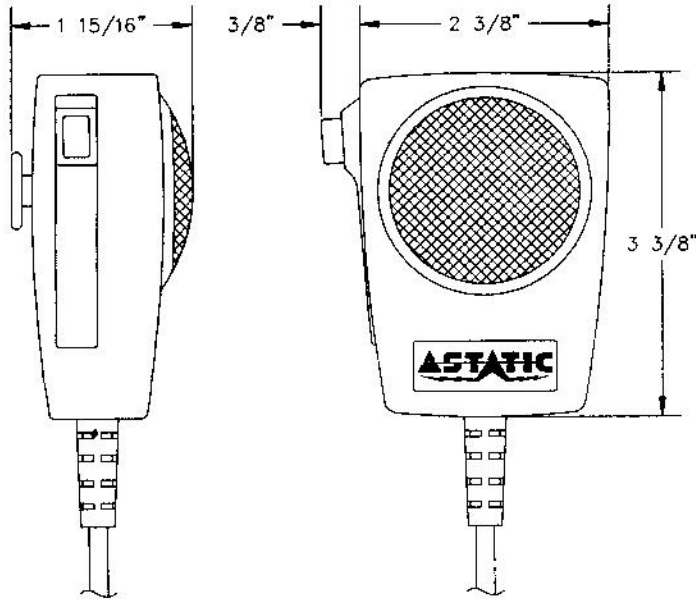
CITY STATE ZIP PHONE NUMBER

APPLICATION WHERE MICROPHONE IS USED:

C.B. AMATEUR RADIO LAND MOBILE, MARINE, BUSINESS RADIO OTHER

COMMENTS: (May we reprint your comments: YES NO)

SPECIFICATIONS FOR D104-M6B / D104-M6C



Battery Replacement

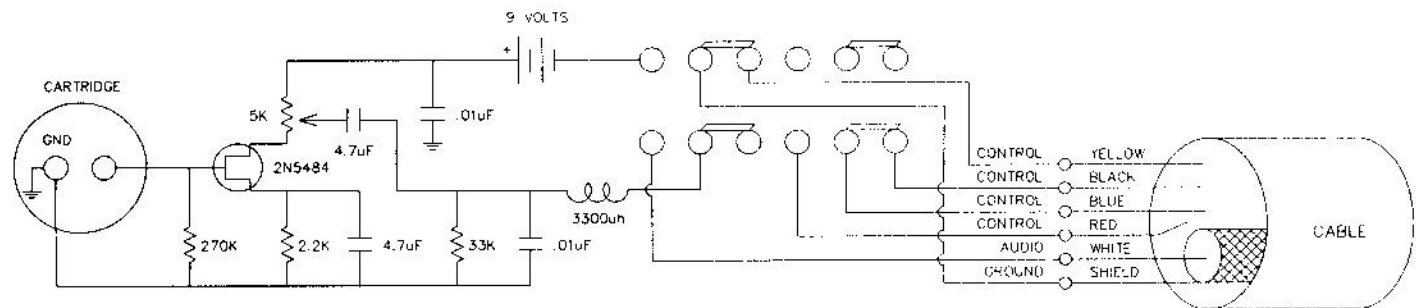
Remove the rear housing by removing the four screws. Carefully lift off the rear housing. Unsnap the battery from the battery clips located on the small vertical pc board and install a new battery. Note that the wires from the coil cord should lay on top of the battery after it is installed. Carefully replace the rear housing ensuring the gain control knob passes through the hole in the housing and fasten with the four screws previously removed. Be careful not to overtighten the four screws.

Connector-Cable Clamping

If the microphone plug you have selected for your hookup requirements does not have a cable clamp suitable for our small diameter high quality microphone cable, use tubing as supplied by Astatic. Simply slip tubing over cable prior to soldering of lead wires. Position it to ensure proper clamping of cable and tubing by the connector.

Gain Adjustments

At a speaking distance of approximately 2 inches (or the position you prefer) with the gain control in the rear housing turned fully counterclockwise, adjust the gain control for the correct modulation level. Turning the gain control clockwise increases the gain. Once properly set, the gain control should seldom require resetting under equivalent operating conditions.



CUT HERE

PLACE IN ENVELOPE AND RETURN TO:

CTI AUDIO, INC.
P.O. BOX 120
CONNEAUT, OHIO 44030-0120

CUT

HERE

1
YEAR
LIMITED
WARRANTY