

INSTRUCTIONS FOR COBRA MODEL CA-51 "DYNAMIKE PLUS" AMPLIFIED MOBILE MICROPHONE

The Cobra Model CA-51 "DYNAMIKE PLUS" is an amplified microphone, designed for mobile operation with CB radios. It includes a solid state amplifier and adjustable gain control.

Your DYNAMIKE PLUS is packaged in a handsome, molded, black professional handpiece. The dual transistor amplifier—in addition to providing more talk power—accentuates the more desirable and useful frequencies of your voice.

The CA-51 allows you to communicate effectively whether you are speaking in a normal voice at a distance from the microphone, or talking close to it.

INSTALLATION

Your Cobra DYNAMIKE PLUS comes equipped with a five-pin connector already installed on the cable. When used with any five-pin Cobra radio, all you have to do is plug the CA-51 into your radio.

To install the battery, remove the battery cover screw at the back, and make certain the battery is properly oriented as indicated by + and - signs.

OPERATION

NOTE

Be careful to set the CA-51 gain control to an optimum level for best intelligibility; excessive gain can result in undesirable distortion.

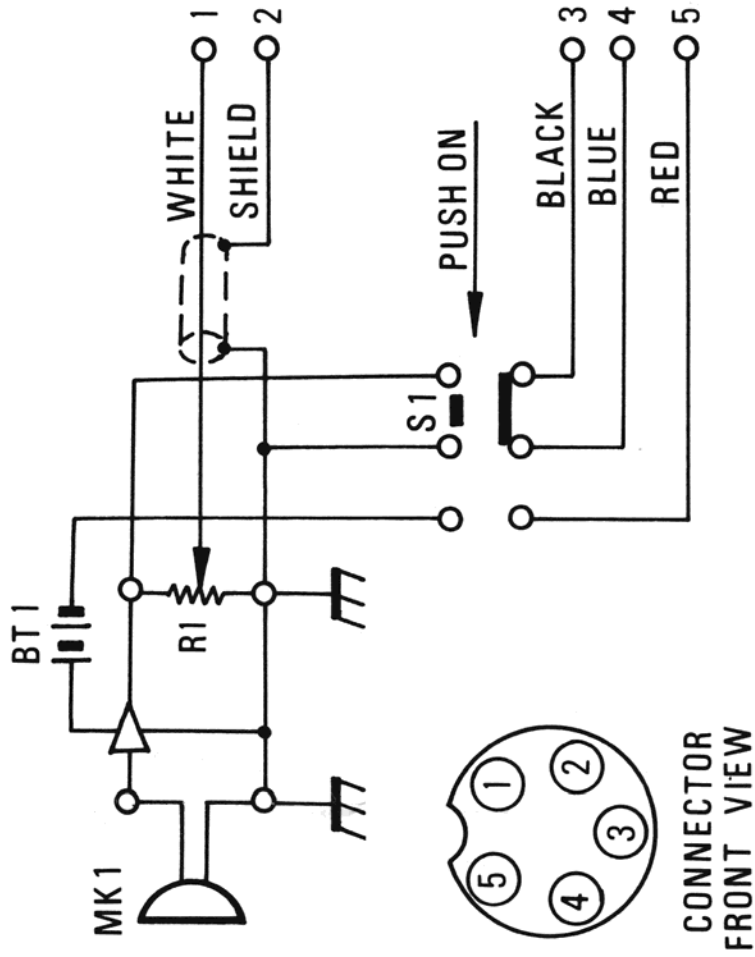
Amplified microphones should not be operated close to speakers nor to antennas to avoid possibility of acoustic or RF feedback.

Depress the push-to-talk switch and speak in your normal voice.

COBRA MODEL CA-51 PARTS LIST

SCHEMATIC SYMBOL	DESCRIPTION	COBRA PART NO.
RESISTOR		
R7	10k, variable	008-271-9-001
MISCELLANEOUS		
BT1	7V battery, type T175	210-006-9-001
MK1	Microphone, dynamic element	562-012-9-001
Q1	Transistor, NPN 2SC458(B) or Equivalent.....	176-058-9-001
Q2	Transistor, NPN 2SC458(B) or Equivalent.....	176-058-9-001
S1	Switch, miniature, DPDT	080-006-9-001
	Knob, volume control	751-132-9-001
	Cord, coiled five wire.....	426-037-9-001
	5-pin connector, female	775-050-9-001
	Housing, front	380-259-9-001
	Housing, back	380-260-9-001
	Stud, microphone clip (plastic)	380-261-9-001
	Screw, stud mounting	634-063-9-001
	Cover, battery	380-262-9-001

NOTE: Standard value resistors and capacitors are not listed. Values may be obtained from schematic diagram. Minimum charge \$5.00 per invoice. Orders will be shipped C.O.D. unless previous open account arrangements have been made.



PIN	FUNCTION
1	AUDIO LEAD
2	SHIELD
3	SPEAKER OR RECEIVE
4	COMM
5	TRANSMIT

Fig. 1. Basic wiring diagram

MODEL CA-51 SPECIFICATIONS

TYPE:	Amplified dynamic microphone.
IMPEDANCE:	900 ohms, $\pm 30\%$ at 1 kHz.
FREQUENCY RESPONSE:	Voice range.
AMPLIFIER	
VOLTAGE GAIN:	26 dB, ± 3 dB at 1 kHz with gain control at 10.
PATTERN:	Omnidirectional.
OUTPUT LEVEL:	-42 dB, ± 5.5 dB at 1 kHz with gain control set at 10.
COILED CABLE	10 inches to 5 feet.
WEIGHT:	8 oz.
BATTERY;	One type T175 or E175 (not supplied).

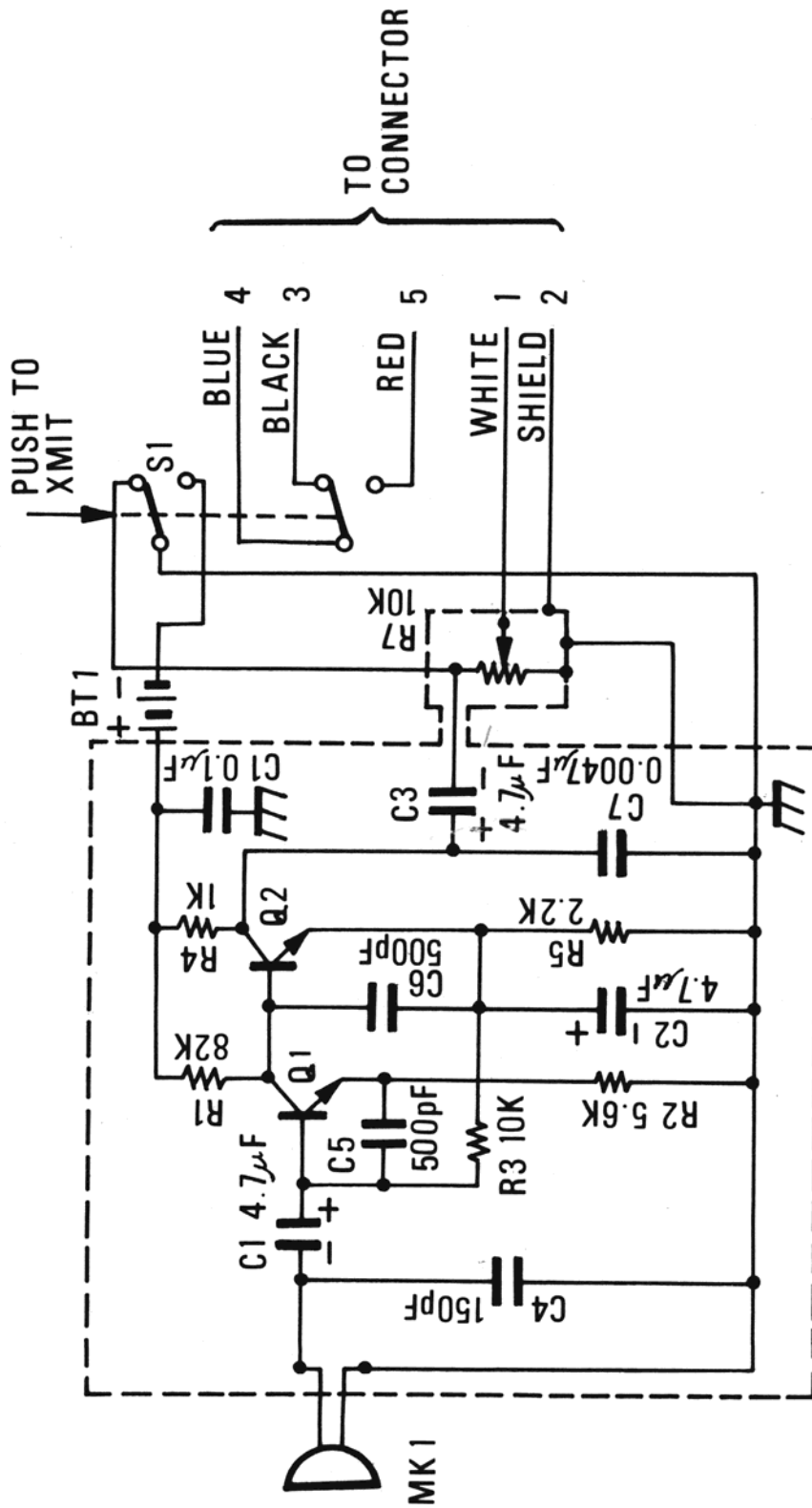


Fig. 2. Model CA-51 schematic diagram.

WARRANTY SERVICE INSTRUCTIONS

1. To secure warranty service on your Cobra Model CA-51 DYNAMIKE PLUS, pack the unit carefully and forward prepaid to the nearest Cobra Communications service agency.
2. For the name of your nearest Cobra service agency, contact your local Cobra dealer, or write to:

Service Department

Cobra Communications Product Group
DYNASCAN CORPORATION
2815 West Irving Park Road
Chicago, Illinois 60618

90-DAY LIMITED WARRANTY

"DYNASCAN warrants that each product manufactured by it will be free from defects in materials and workmanship under normal usage and service for a period of ninety days after its purchase new from an authorized COBRA distributor. Our obligation under this warranty is limited to repairing or replacing any product or component which we are satisfied does not conform with the foregoing warranty and which is returned to our factory or our authorized service contractor, transportation prepaid, and we shall not otherwise be liable for any damages, consequential or otherwise. *The foregoing warranty is exclusive and in lieu of all other warranties (including any warranty of merchantability), whether expressed or implied.* Such warranty shall not apply to any product or component (i) repaired or altered by anyone other than DYNASCAN or its authorized service contractor (except normal tube replacement) with DYNASCAN's prior written approval; (ii) tampered with or altered in any way or subjected to misuse, negligence or accident, (iii) which has the serial number altered, defaced or removed; or (iv) which has been improperly connected, installed or adjusted otherwise than in accordance with DYNASCAN's instructions. DYNASCAN reserves the right to discontinue any model at any time or change specifications or design without notice and without incurring any obligation. *The warranty shall be void and there shall be no warranty of any product or component if a DYNASCAN warranty registration card is not properly completed and postmarked to the DYNASCAN factory within ten days after the purchase of the product new from an authorized COBRA distributor.*

8 3 3 3

Downloaded by
RadioAmateur.EU



Communications Product Group
DYNASCAN CORPORATION
6460 West Cortland Street
Chicago, Illinois 60635

481-094-9-001
Printed in Japan
14-30-208-02 K28