

INSTRUCTIONS FOR COBRA MODEL CA-60 "DYNAMIKE PLUS" BASE STATION AMPLIFIER MICROPHONE

The Cobra CA-60 "DYNAMIKE PLUS" is an amplified microphone, designed for base station operation with CB radios. It includes a solid state amplifier, adjustable gain control, push-to-talk switch with lock feature, and a relay/electronic switch that adapts the CA-60 for use with both relay and electronic controlled transmitters. A light-emitting diode illuminates when the push-to-talk switch is operated.

Your DYNAMIKE PLUS is mounted on a handsome free-standing professional-type black pedestal. The height and angle of tilt of the pedestal are human-engineered, for comfortable operation of the microphone. The dual transistor amplifier—in addition to providing more talk power—accentuates the more desirable and useful frequencies of your voice.

The amplified microphone allows you to communicate effectively whether you are speaking in a normal voice at a distance from the microphone, or talking close to it.

INSTALLATION

Your Cobra DYNAMIKE PLUS comes equipped with a four-pin connector already installed on the cable. When used with any Cobra radio, all you have to do is plug the CA-60 into your radio. (For instructions on using your DYNAMIKE PLUS with any radio other than Cobra, see page 3.)

OPERATION (Refer to Fig. 1 and 2)

1. Check transceiver instruction manual to determine whether switching is electronic or relay.
2. Set switch (5) to proper position to correspond with transceiver switching.

NOTE

Be careful to set the CA-60 gain control to an optimum level for best intelligibility; excessive gain can result in undesirable distortion.

Amplified microphones should not be operated close to speakers nor to antennas to avoid possibility of acoustic or RF feedback.

3. Depress the push-to-talk switch (1) [noticing that the TX lamp (3) lights] and speak in your normal voice. If you want the radio to remain in the transmit mode without having to hold the push-to-talk switch, depress the LOCK bar (2).
4. To return to receive mode, depress and release the LOCK bar.
5. If the TX lamp does *not* light when the push-to-talk switch is depressed, remove the battery cover screw (4), beneath the base, and replace the batteries.

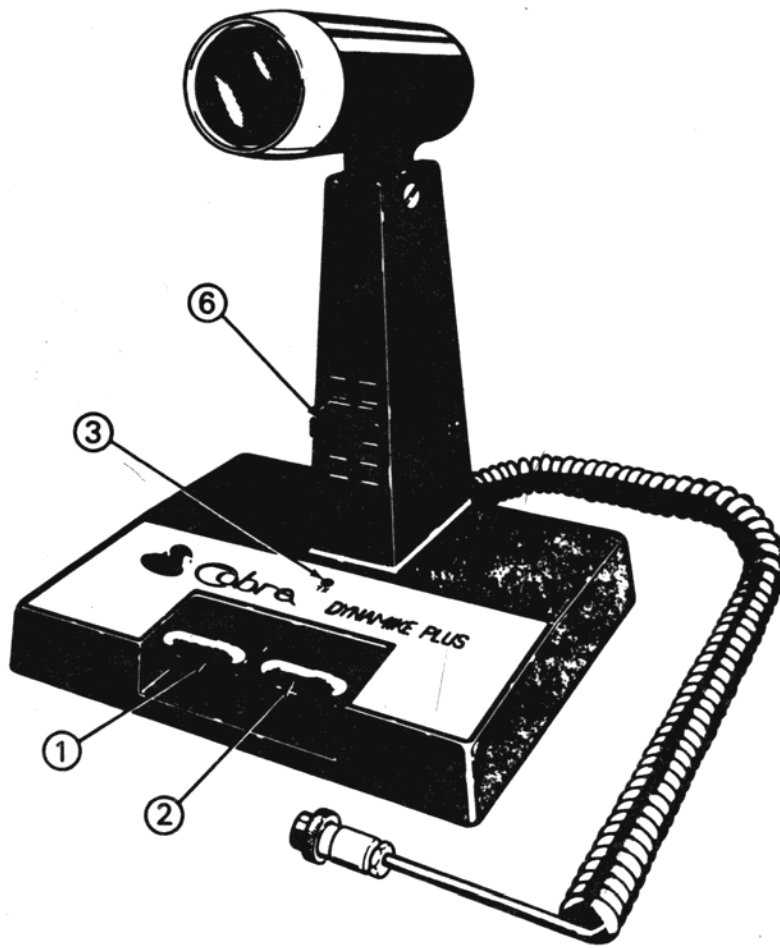


Fig. 1. Top view of CA-60.

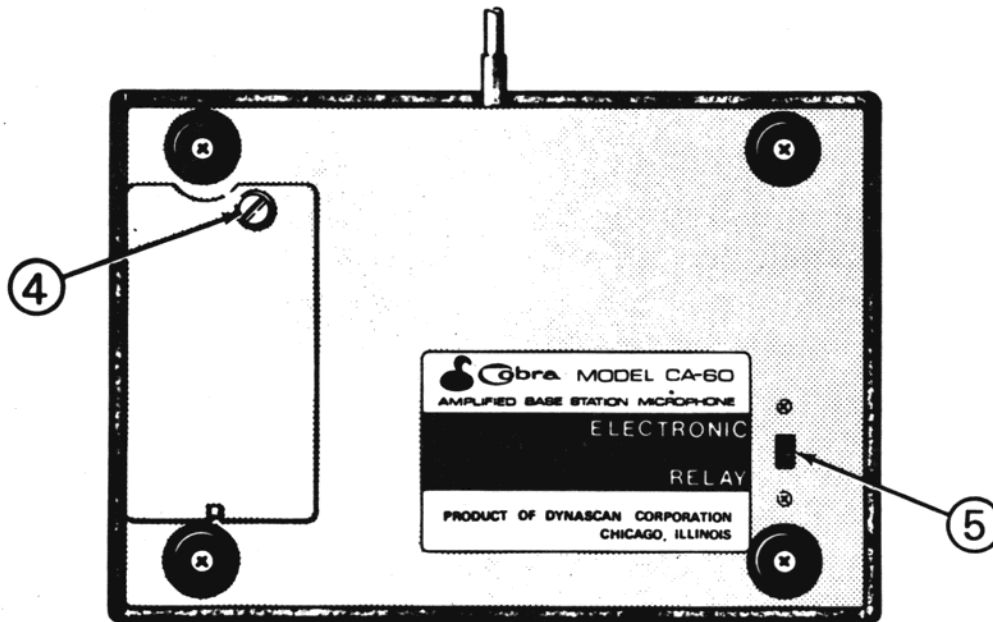


Fig. 2. Bottom view of CA-60.

USING THE CA-60 WITH RADIOS OTHER THAN COBRA

Alternate Cable Connector

To wire the DYNAMIKE PLUS for radios other than Cobra models, refer to your CB radio instruction manual for proper connector and wiring.

On your CA-60 cable, color code is as follows:

White wire: Audio lead
 Shield: Ground
 Red wire: Transmitter control
 Black wire: Receiver control

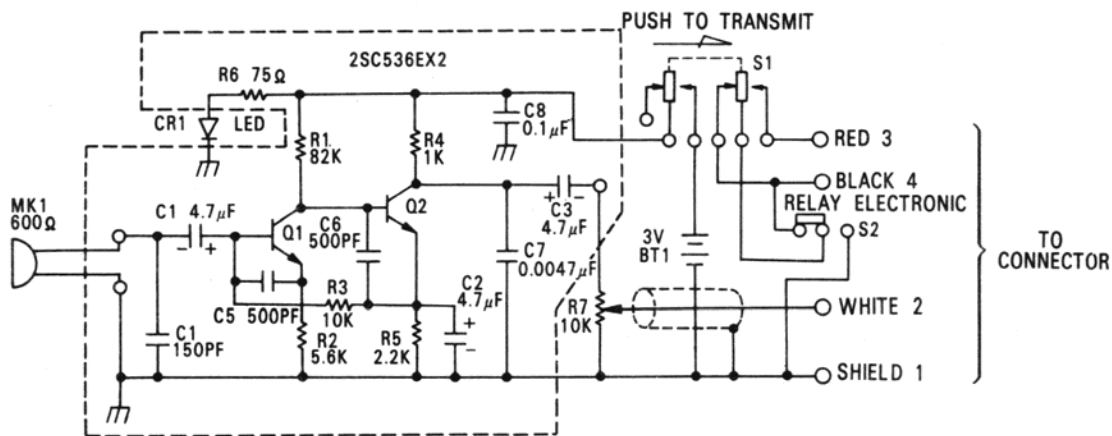


Fig. 3. Model CA-60 schematic diagram.

COBRA MODEL CA-60 SPECIFICATIONS

TYPE:	Dynamic microphone with transistor amplifier and gain control.
IMPEDANCE:	900 ohms, $\pm 30\%$ at 1 kHz.
FREQUENCY RESPONSE:	Voice range.
OUTPUT LEVEL:	-45 dB ± 5.5 dB at 1 kHz, with gain control set at max.
AMPLIFIER VOLTAGE GAIN:	24 dB. ± 3 dB with gain control set at max.
COILED CABLE:	12 inches to 6 feet.
WEIGHT:	20 oz.
BATTERY:	2 type AA (not supplied).

COBRA MODEL CA-60 PARTS LIST

SCHEMATIC SYMBOL	DESCRIPTION	COBRA PART NO.
------------------	-------------	----------------

RESISTOR

R7	10k, variable	008-270-9-001
----	---------------------	---------------

MISCELLANEOUS

BT1	Battery, type AA	210-005-9-001
MK1	Microphone, dynamic element	562-011-9-001
Q1	Transistor, NPN 2SC536(E)	176-058-9-001
Q2	Transistor, NPN 2SC536(E)	176-058-9-001
S1	Switch, leaf, DPDT *	080-005-9-001
CR1	LED	158-009-9-001
S2	Switch, miniature, slide, SPDT	084-049-9-001
	Knob, volume control	751-131-9-001
	Knob, push-to-talk	751-131-9-002
	Knob, lock	751-131-9-003
	Bottom plate	252-018-9-001
	Cord, coiled	427-017-9-001
	4-pin connector, female	771-022-9-001
	Screw (bottom cover)	709-722-1-301
	Clamp, microphone cord	741-085-9-001
	Housing microphone, black	380-257-9-001
	Cap microphone, silver satin	260-078-9-001
	Base, black plastic	380-258-9-001
	Instruction folder	481-071-9-001

NOTE: Standard value resistors and capacitors are not listed. Values may be obtained from schematic diagram. Minimum charge \$5.00 per invoice. Orders will be shipped C.O.D. unless previous open account arrangements have been made or remittance accompanies order. Remittance must include postage or express charges. Specify serial number to facilitate identification of exact replacement parts.

WARRANTY SERVICE INSTRUCTIONS

1. Refer to instruction manual for adjustments that may be applicable.
2. Defective parts removed from units which are within the warranty period should be sent to the factory prepaid with model and serial number of product from which removed and date of product purchase. These parts will be exchanged at no charge.
3. If the above-mentioned procedures do not correct the difficulty, pack the product securely using the same package arrangement as supplied by the manufacturer. A detailed list of troubles encountered must be enclosed as well as your name and address. Forward prepaid (express preferred) to the nearest Dynascan-authorized Cobra Communications service agency.

Contact your local Dynascan Distributor for the name and location of your nearest Cobra service agency, or write to:

Service Department

Cobra Communications Product Group
DYNASCAN CORPORATION
2815 West Irving Park Road
Chicago, Illinois 60618

90-DAY LIMITED WARRANTY

"DYNASCAN warrants that each product manufactured by it will be free from defects in materials and workmanship under normal usage and service for a period of ninety days after its purchase new from an authorized COBRA distributor. Our obligation under this warranty is limited to repairing or replacing any product or component which we are satisfied does not conform with the foregoing warranty and which is returned to our factory or our authorized service contractor, transportation prepaid, and we shall not otherwise be liable for any damages, consequential or otherwise. *The foregoing warranty is exclusive and in lieu of all other warranties (including any warranty of merchantability), whether expressed or implied.* Such warranty shall not apply to any product or component (i) repaired or altered by anyone other than DYNASCAN or its authorized service contractor (except normal tube replacement) with DYNASCAN's prior written approval; (ii) tampered with or altered in any way or subjected to misuse, negligence or accident, (iii) which has the serial number altered, defaced or removed; or (iv) which has been improperly connected, installed or adjusted otherwise than in accordance with DYNASCAN's instructions. DYNASCAN reserves the right to discontinue any model at any time or change specifications or design without notice and without incurring any obligation. *The warranty shall be void and there shall be no warranty of any product or component if a DYNASCAN warranty registration card is not properly completed and postmarked to the DYNASCAN factory within ten days after the purchase of the product new from an authorized COBRA distributor.*



Cobra

Communications Product Group

DYNASCAN CORPORATION

6460 West Cortland Street

Chicago, Illinois 60635

**Downloaded by
RadioAmateur.EU**

481-071-9-001