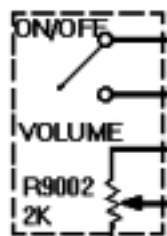
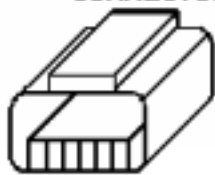


P8 LOGIC BOARD

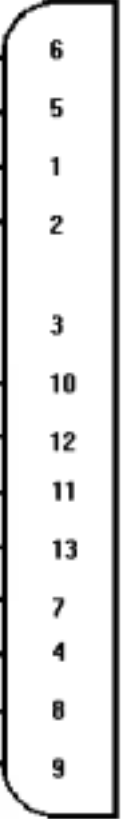
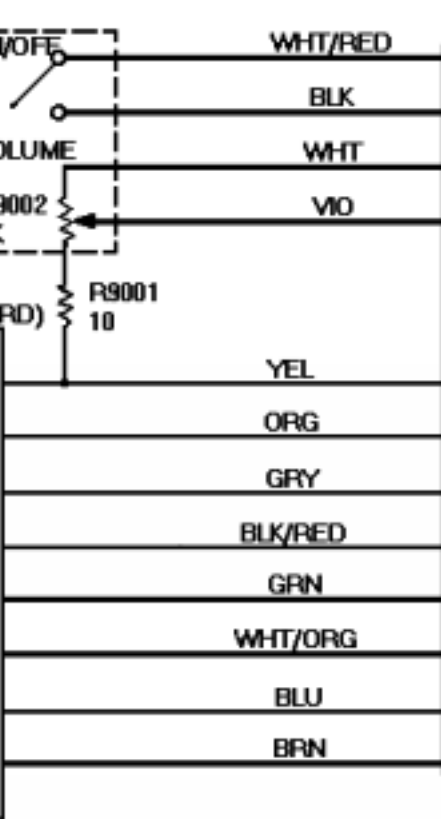
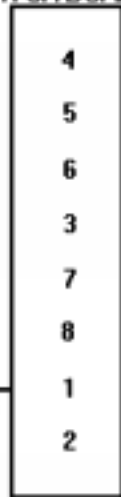


J11
MIC JACK
(ON SWITCH BOARD)

PC BOARD
CONNECTOR



MIC PLUGS INTO THIS



- 6 B+
- 5 SWB+
- 1 VOL CONT TOP
- 2 VOL CONT WPER
- 3 KEYWAY
- 10 GND
- 12 MIC AUDIO
- 11 PTT
- 13 HOOK
- 7 SCI+
- 4 HANDSET AUDIO
- 8 PB1
- 9 PB2