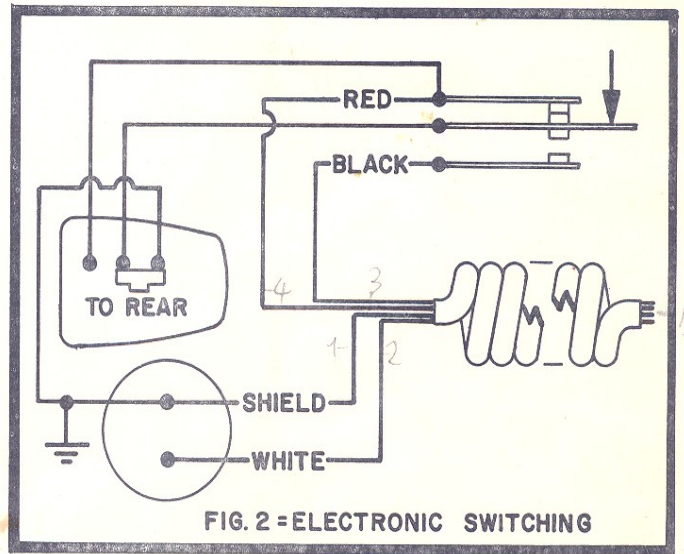
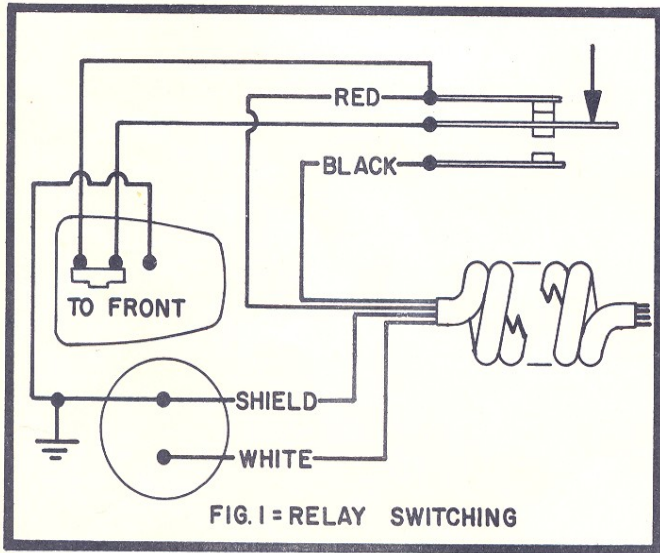


INSTRUCTION SHEET

MODEL 454C (Ceramic)
MODEL 454X (Crystal)

The Turner Models 454C and 454X are desk type microphones with a controlled frequency response of from 300 to 3000 cycles per second. This "tailored" response curve is your guarantee of maximum voice intelligibility.

The Turner Models 454C and 454X are adaptable to practically all CB or Amateur transceivers, either on/off Relay Switching (Fig. 1) or "Electronic" Switching (Fig. 2). This adaptability is achieved by means of a locking slide switch on the bottom of the microphone. The Relay Switching position is with the slide switch toward the front of the microphone and the "Electronic" Switching position is with the slide switch toward the rear of the microphone. After selecting the type of switching you require for your transmitter or transceiver, lock the switch into position with the "switch lock" to prevent accidental movement of the switch.



The Models 454C and 454X are normally furnished wired for V.O.X. operation with the interior connected straight through. Push-to-talk is achieved by use of the red and black conductors connected to the switch as shown in Figures 1 and 2. The touch bar may be locked in the "on" position for continuous transmission by moving the lock lever forward.

SPECIFICATIONS:

Interior Element

454C	Heavy Duty Ceramic
454X	High Output Crystal

Cable 5 foot, 3 conductor (1 shielded) coiled cord

Output level

454C	Ceramic	-54db
454X	Crystal	-48db

Downloaded by RadioAmateur.EU

The Turner Company

Impedance Hi Z

Frequency Response 300-3000 cycles per second

Shipping Weight 3 lbs.

Case Die cast zincalloy - Satin black finish

Switching Adapts to either Relay or "Electronic"
switching

Replacement Interior

454C	27C	List price 6.50
454X	27	List price 6.50

CARE: Always remember that a microphone is a delicate instrument and should be handled accordingly. Avoid falls and sudden shock. Keep the unit remote from metallic dust, iron filings, etc. Be sure the microphone is properly connected and terminated in its characteristic impedance. Avoid exposure to the weather elements.

GUARANTEE: All Turner microphones are individually and thoroughly tested before leaving the factory and are guaranteed against defective materials and workmanship for one year, providing that instructions are fully complied with. Guarantee registration card accompanying each microphone should be filled out and mailed immediately.

THE TURNER MICROPHONE COMPANY
909 17th Street N.E.
Cedar Rapids, Iowa

Downloaded by
RadioAmateur.EU