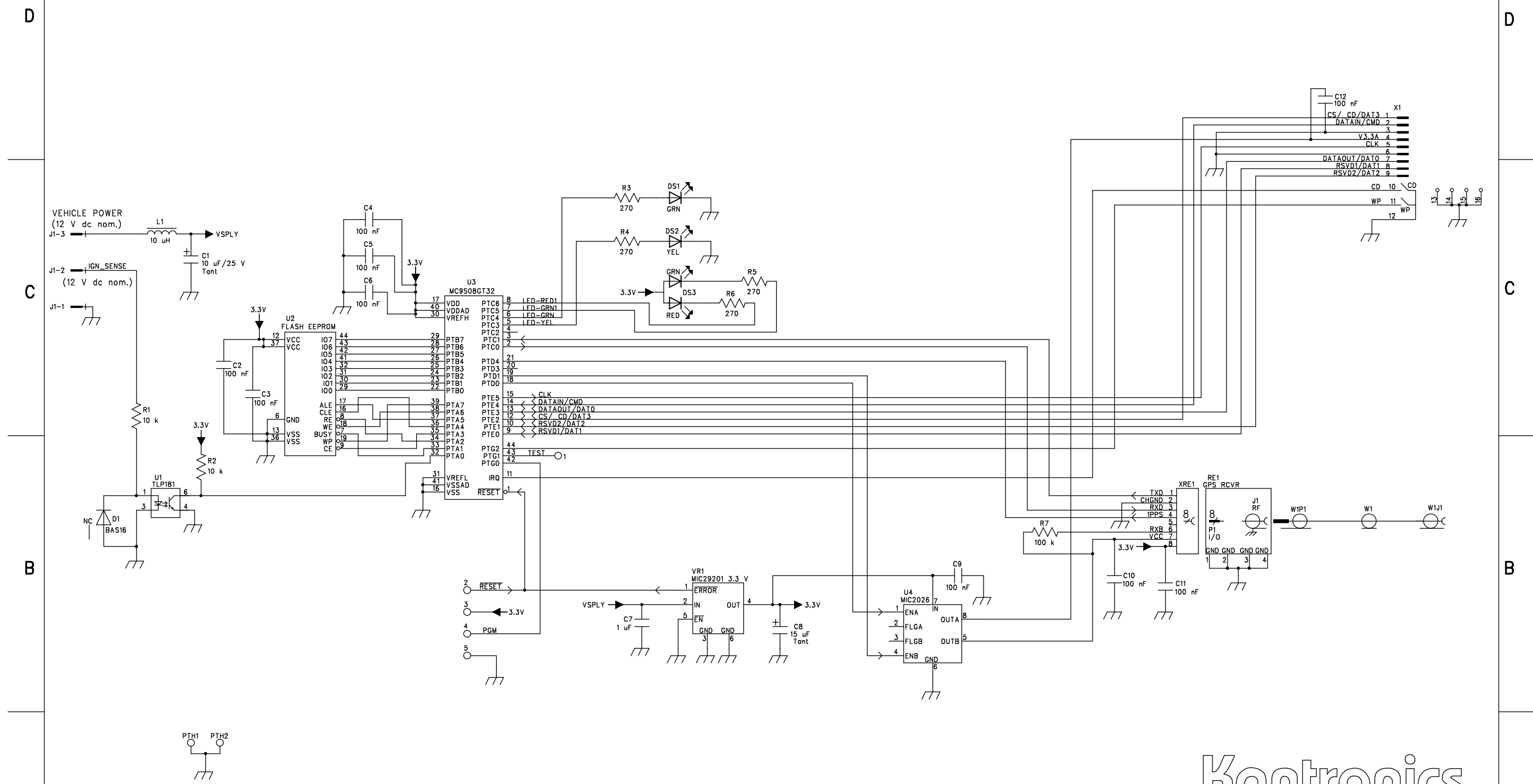


6 5 4 3 2 1

REVISION RECORD			
LTR	ECO NO:	APPROVED:	DATE:



NOTE:  
 1. REFERENCE PCB 009-0015-01.  
 2. REDESIGNED FROM 002-0013-00.  
 3. THIS SCHEMATIC PERTAINS TO ASSY 001-0015-01.

# Kantronics

COMPANY:  
 1202 E 23rd ST, Suite A, LAWRENCE, KS 66046  
 COPYRIGHT 2005 KANTRONICS CO., INC. ALL RIGHTS RESERVED  
 SPECIFICATIONS SUBJECT TO CHANGE WITHOUT NOTICE

TITLE: **KML5000 TRAVELOG PCB SCHEMATIC**

DRAWN: Larry Joy	DATED: 2005-06-13	CAGE CODE: 71145	SIZE: C	DRAWING NO: 002-0015-00	REV: -
CHECKED:	DATED:	SCALE:	SHEET: OF		
QUALITY CONTROL:	DATED:				
RELEASED:	DATED:				