

D

C

B

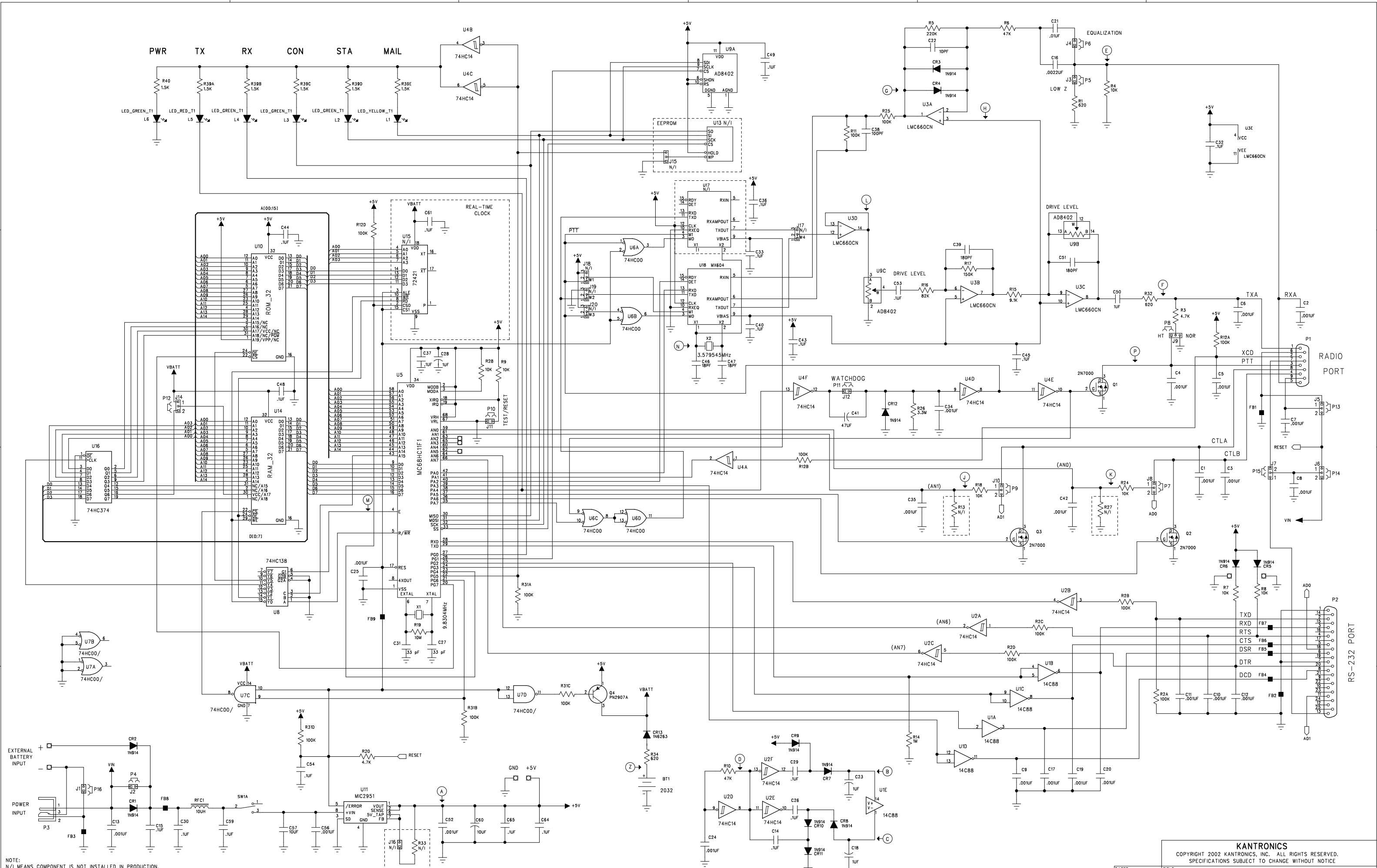
A

D

C

B

A



NOTE:
N/1 MEANS COMPONENT IS NOT INSTALLED IN PRODUCTION.