

R SUPPLY TABLE

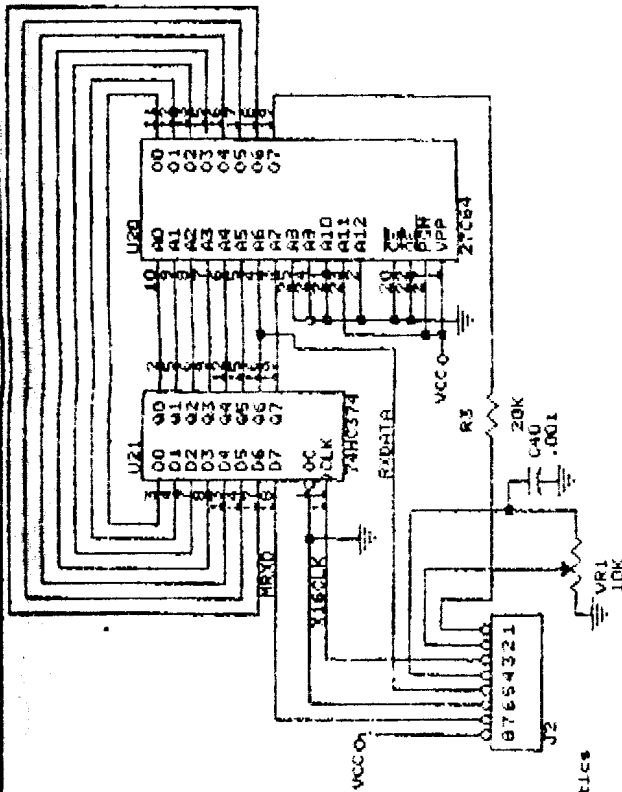
PIN	NUMBER	VOLTAJE
1	1	5V
2	2	5V
3	3	5V
4	4	5V
5	5	5V
6	6	5V
7	7	5V
8	8	5V
9	9	5V
10	10	5V
11	11	5V
12	12	5V
13	13	5V
14	14	5V
15	15	5V
16	16	5V
17	17	5V
18	18	5V
19	19	5V
20	20	5V
21	21	5V
22	22	5V
23	23	5V
24	24	5V
25	25	5V
26	26	5V
27	27	5V
28	28	5V
29	29	5V
30	30	5V
31	31	5V
32	32	5V
33	33	5V
34	34	5V
35	35	5V
36	36	5V
37	37	5V
38	38	5V
39	39	5V
40	40	5V
41	41	5V
42	42	5V
43	43	5V
44	44	5V
45	45	5V
46	46	5V
47	47	5V
48	48	5V
49	49	5V
50	50	5V
51	51	5V
52	52	5V
53	53	5V
54	54	5V
55	55	5V
56	56	5V
57	57	5V
58	58	5V
59	59	5V
60	60	5V
61	61	5V
62	62	5V
63	63	5V
64	64	5V
65	65	5V
66	66	5V
67	67	5V
68	68	5V
69	69	5V
70	70	5V
71	71	5V
72	72	5V
73	73	5V
74	74	5V
75	75	5V
76	76	5V
77	77	5V
78	78	5V
79	79	5V
80	80	5V
81	81	5V
82	82	5V
83	83	5V
84	84	5V
85	85	5V
86	86	5V
87	87	5V
88	88	5V
89	89	5V
90	90	5V
91	91	5V
92	92	5V
93	93	5V
94	94	5V
95	95	5V
96	96	5V
97	97	5V
98	98	5V
99	99	5V
100	100	5V
101	101	5V
102	102	5V
103	103	5V
104	104	5V
105	105	5V
106	106	5V
107	107	5V
108	108	5V
109	109	5V
110	110	5V
111	111	5V
112	112	5V
113	113	5V
114	114	5V
115	115	5V
116	116	5V
117	117	5V
118	118	5V
119	119	5V
120	120	5V
121	121	5V
122	122	5V
123	123	5V
124	124	5V
125	125	5V
126	126	5V
127	127	5V
128	128	5V
129	129	5V
130	130	5V
131	131	5V
132	132	5V
133	133	5V
134	134	5V
135	135	5V
136	136	5V
137	137	5V
138	138	5V
139	139	5V
140	140	5V
141	141	5V
142	142	5V
143	143	5V
144	144	5V
145	145	5V
146	146	5V
147	147	5V
148	148	5V
149	149	5V
150	150	5V
151	151	5V
152	152	5V
153	153	5V
154	154	5V
155	155	5V
156	156	5V
157	157	5V
158	158	5V
159	159	5V
160	160	5V
161	161	5V
162	162	5V
163	163	5V
164	164	5V
165	165	5V
166	166	5V
167	167	5V
168	168	5V
169	169	5V
170	170	5V
171	171	5V
172	172	5V
173	173	5V
174	174	5V
175	175	5V
176	176	5V
177	177	5V
178	178	5V
179	179	5V
180	180	5V
181	181	5V
182	182	5V
183	183	5V
184	184	5V
185	185	5V
186	186	5V
187	187	5V
188	188	5V
189	189	5V
190	190	5V
191	191	5V
192	192	5V
193	193	5V
194	194	5V
195	195	5V
196	196	5V
197	197	5V
198	198	5V
199	199	5V
200	200	5V

50 POWERED BY BATTERY PWR CONN

STATE BOARD

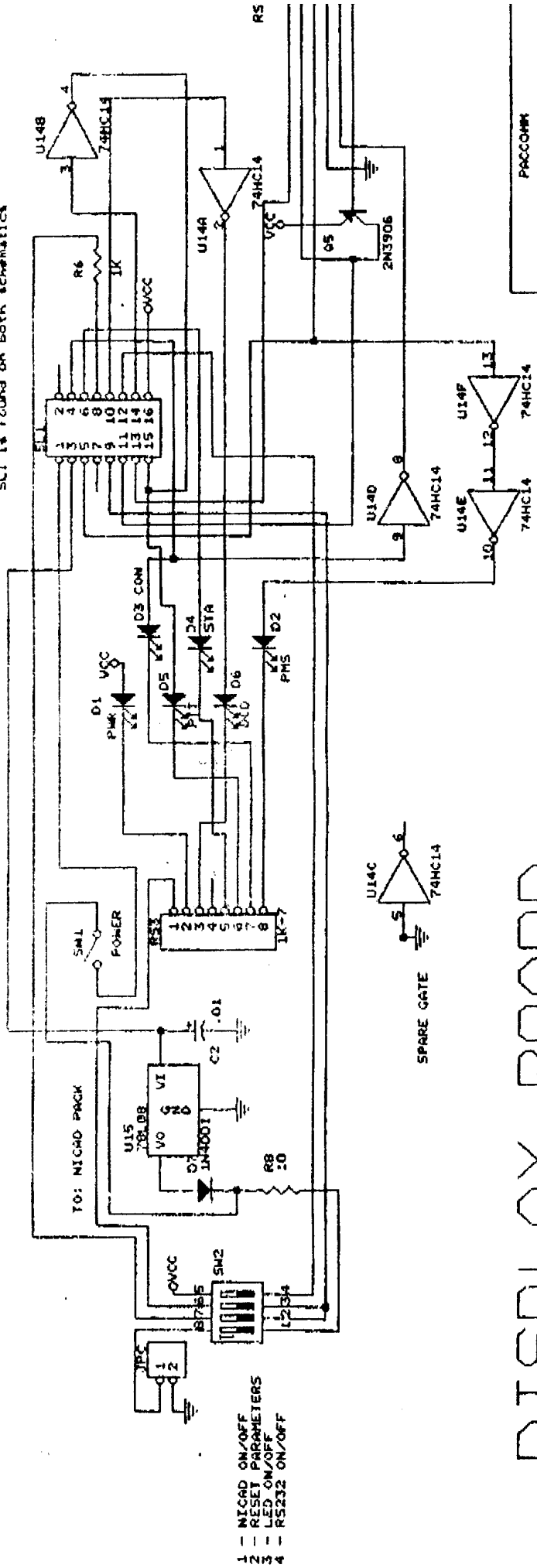
Scanned by IW1AXR
Downloaded by
RadioAmateur.EU

Scanned by IW1AXR
Downloaded by
RadioAmateur.EU



TX LEVEL

SL1 is found on both schematics



DISPLAY BOARD

PACCOMB
3652 N. CYPRESS ST.
TAMPA FL., 33607

Title HANDIPACKET DCD AND SWMELCH
Size Document Number B
120490
Date: December 7, 1990 Sheet