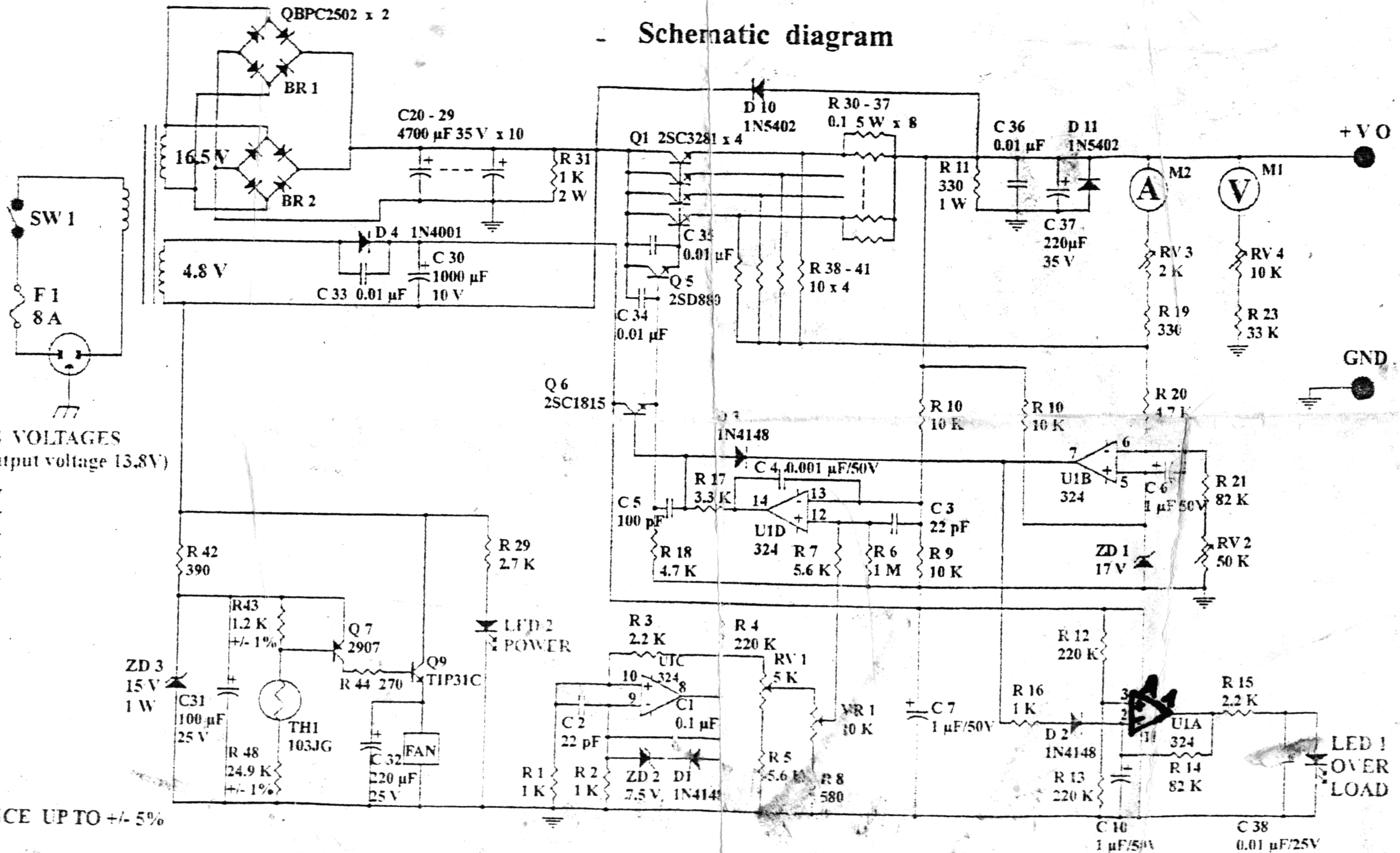


# DIAMOND POWER SUPPLY GSV 3000 - 501

## Schematic diagram



LM324 PIN'S VOLTAGES  
(with standard output voltage 13.8V)

- 1) 0.6 V
- 2) 26 V
- 3) 13 V
- 4) 27.5 V
- 5) 13.5 V
- 6) 13.3 V
- 7) 26 V
- 8) 15 V
- 9) 6.5 V
- 10) 6.8 V
- 11) GND
- 12) 3.6 V
- 13) 6.8 V
- 14) 12 V

TOLERANCE UP TO +/- 5%

NOTE :

ALL RESISTORS ARE IN OHM AND 1/4 W  
EXCEPT SPECIFIED

**DIAMOND**  
ANTENNA CORPORATION  
15-1, 1-chome, Sugamo Toshima-ku, Tokyo 170, Japan  
Phone: (03) 3947-1411  
Fax: (03) 3944-2981  
Telex: 272 2420 DIANTNA J  
Cable Address: DIANTNA

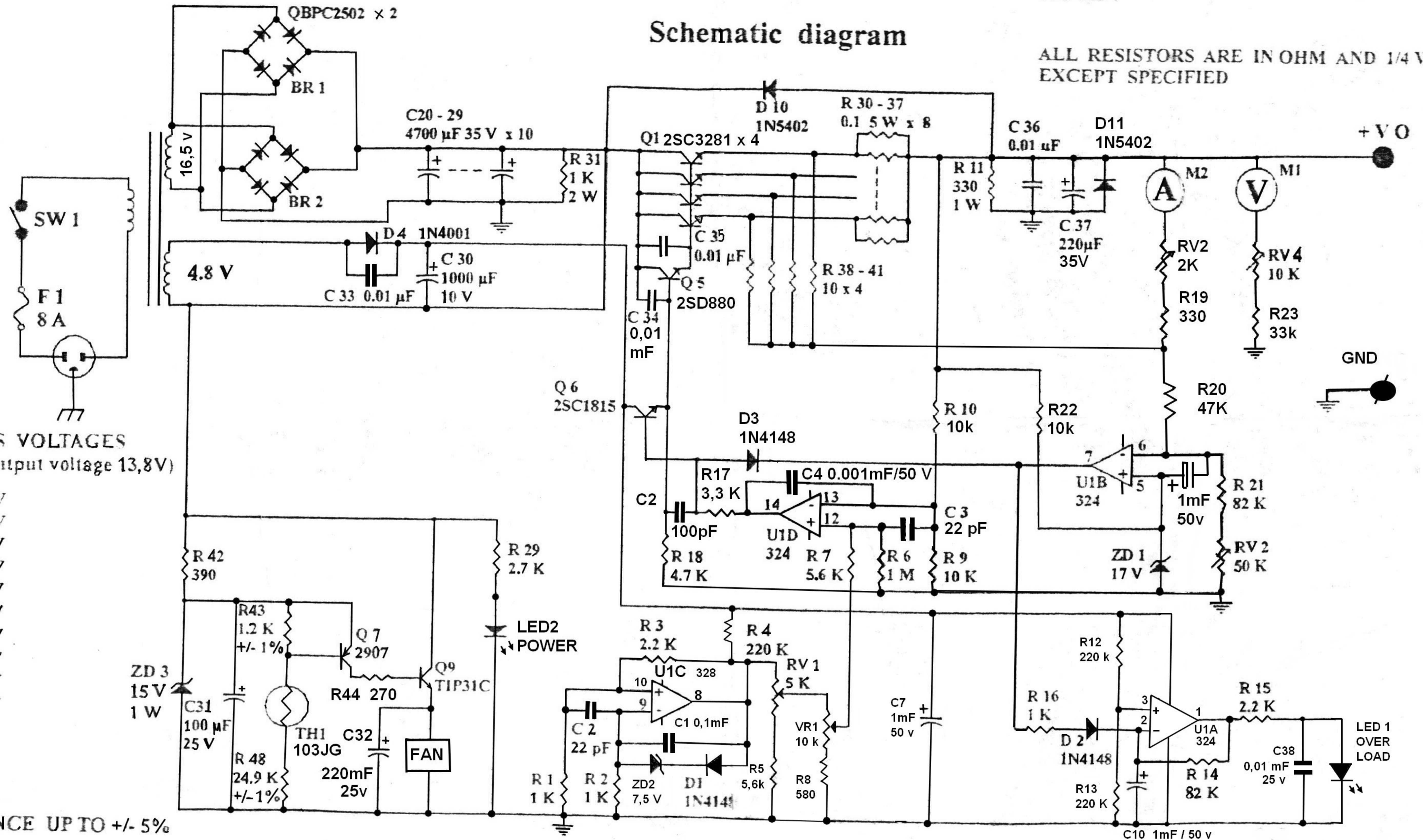
# DIAMOND POWER SUPPLY

## GSV 3000 - 501

NOTE :

ALL RESISTORS ARE IN OHM AND 1/4 W EXCEPT SPECIFIED

### Schematic diagram



LM324 PIN'S VOLTAGES  
(with standard output voltage 13,8V)

- 1) 0.6 V
- 2) 26 V
- 3) 13 V
- 4) 27.5 V
- 5) 13,5 V
- 6) 13,3 V
- 7) 26 V
- 8) 15 V
- 9) 6.5 V
- 10) 6.8 V
- 11) GND
- 12) 3.6 V
- 13) 6.8 V
- 14) 12 V

TOLERANCE UP TO +/- 5%