

# Assembly Manual for the

## 70CM PREAMP (440/470MHz)

### K-6306

Reprinted in part by arrangement  
with Electronics Today International  
from the May, 1984 edition

**DICK SMITH  
HIT**

TO GET THE BEST out of a UHF receiver system you need to pay attention to two important factors: front end noise figure and antenna feedline loss. Secondly, you need to worry about dynamic range and intermodulation distortion. The problem of feedline loss is tackled by buying the best low-loss coax you can afford and/or keeping the feedline length between the antenna and receiver front end to a minimum. The problem of front end noise figure has to be tackled right at the front end, at the first RF stage. Much commercially available amateur UHF band equipment, and doubtless, plenty of homebrew gear too, has receiver noise figures around 4 dB to 5 dB. This is particularly true of older equipment.

While the majority of amateur contacts do not involve particularly weak signals, unless troposcatter DX is your 'bag', there are plenty of occasions when copying a weak signal is important (the aforesaid DX being one). On singlesideband or CW, a few dB *extra* signal-to-noise ratio can mean the difference between a contact and no contact in weak signal work; on FM it can mean the difference between a noisy, difficult to copy signal and full-quieting Q5. Hence, lowering your front-end noise figure from 4-5 dB to around 2 dB can make a world of difference.

### Bipolar, or go for the GaAs?

Twenty years ago, the state of the art front end either involved a varactor parametric amplifier (a rarity) or a special low noise 'lighthouse' tube like the 416B. The parametric amp could achieve vanishingly low noise figures at 430 MHz but required a high power 'pump' oscillator, and keeping it stable was tantamount to magic (requiring five arms)! The low noise tube cost an arm and a leg, required many watts of heater power and fan cooling as a result. The parametric amp could achieve noise figures around 1-2 dB, the 416B amp "better than 3 dB" when front end noise figures of 6-10 dB were common.

These days, a state-of-the-art noise figure would be less than 1 dB, readily achieved with solid-state devices, in particular, with gallium arsenide field effect transistors (GaAs FETs). Notwithstanding such fine performance, bipolar devices can achieve similar results. But, there's a catch — you have to pay handsomely for such superlative

This simple, yet effective and easy to build preamp will soup-up that 'soggy' receiver front end without costing you an arm and a leg.

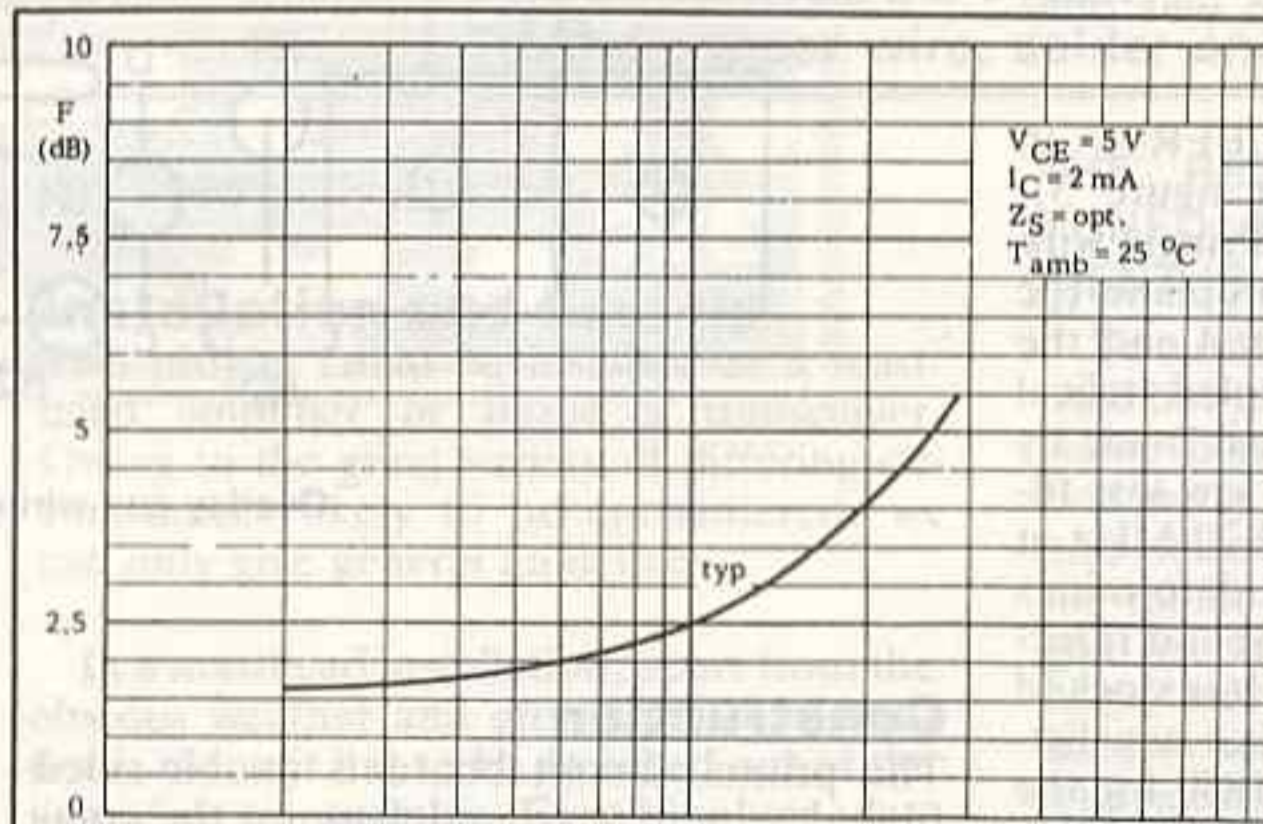


Figure 1. Typical noise figure performance of the BFR91, versus frequency (at top) and versus collector current (below it).

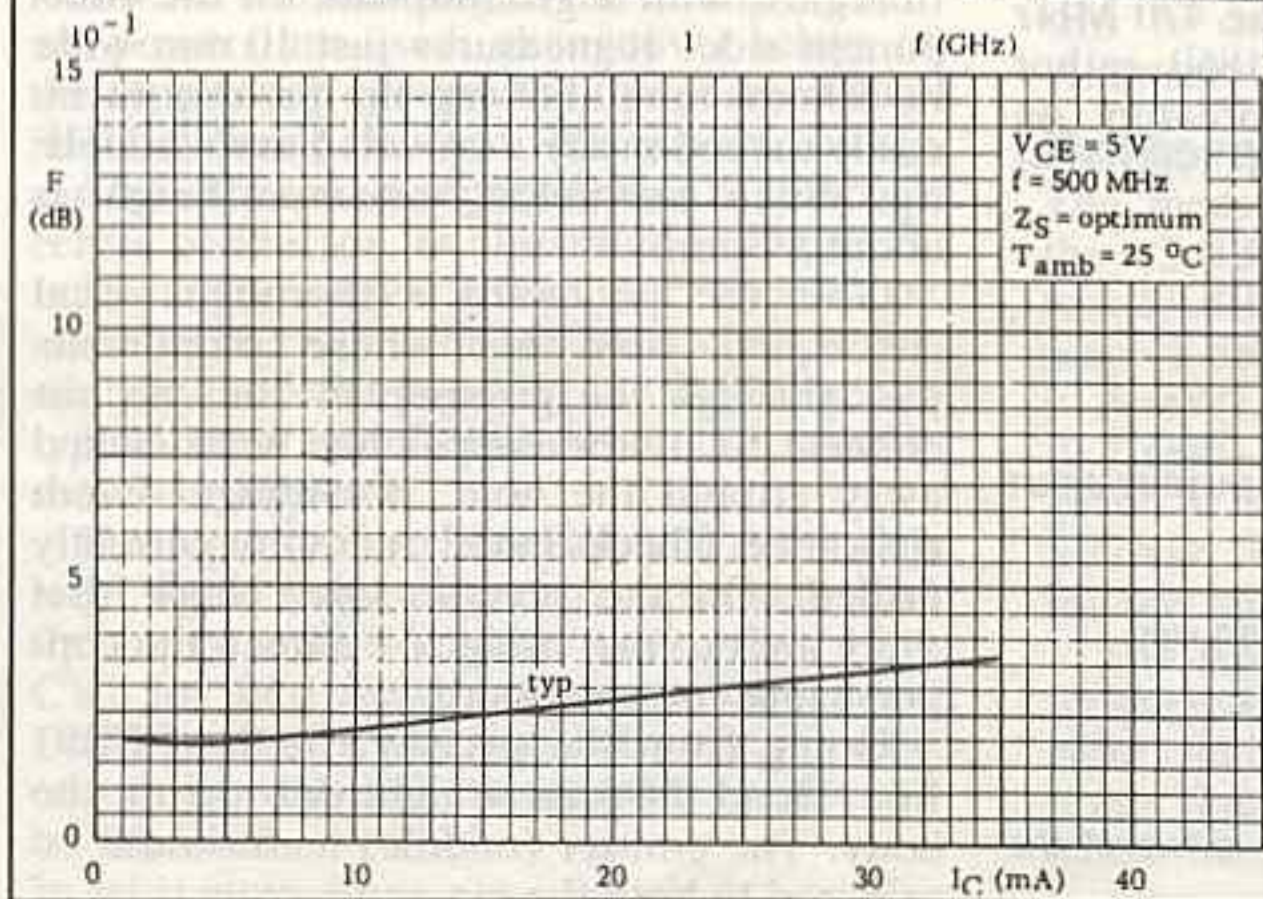


Figure 2. Typical RF gain of the BFR91, versus frequency. Note that gain decreases at lower collector currents.

performance. GaAs FETs have one disadvantage bipolar devices do not: they are prone to electrostatic damage (ESD). For these reasons, this project uses a relatively low cost bipolar device, a BFR91.

### The BFR91

While state of the art performance can be a desirable goal, it can represent overkill in many situations. As this project is primarily aimed at *improving* the performance of an existing receiver, but not at the expense of creating difficulties for the constructor/operator, a number of subtle design factors need to be considered. Cost is one. If a preamp is going to cost, say, half what the gear is worth, for the sake of a 1 dB noise figure then justifying that cost is difficult, unless you're into moonbounce. Making a worthwhile performance improvement for \$20 is much more attractive.

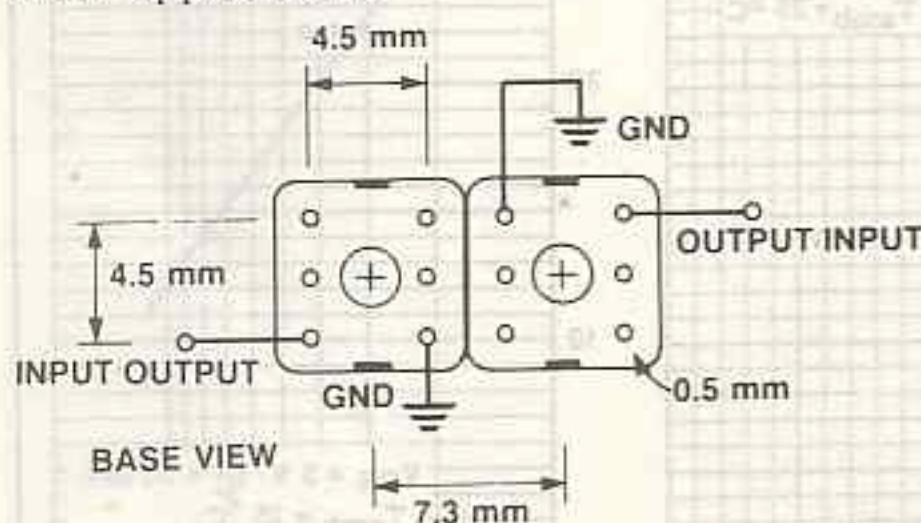
The BFR91 is a relatively low cost device yet exhibits good noise figure performance in the 70 cm band, achieving better than 2 dB when biased and matched correctly (Figure 1). Maximum gain is quoted at around 18 dB at 500 MHz (but this varies with bias and frequency — see Figure 2). In addition, the BFR91 has good dynamic range, achieving excellent intermodulation distortion figures. This is important, as, with this preamp being the first stage in a receiver, any distortion products produced by strong off-channel signals will be amplified by the rest of the receiver, causing interference.

Fortuitively, the BFR91 has another advantage: when biased for best noise figure, it exhibits input and output impedances close to 50 ohms, so matching is a 'snack'.

### The project

The project was originally designed by Timothy Edwards and published in the March 1982 issue of the British magazine *Radio and Electronics World*. Gary Crapp VK2YBX, General Manager, R & D, at Dick Smith Electronics, had successfully constructed a number following the original article and approached ETI about republishing the project. Permission was duly obtained from R & E. W.

The design employs the BFR91 in grounded emitter. (See circuit figure 3). The input filter is a simple tuned single wire transmission line above a groundplane (pc board). The collector is shunt-fed and the output passes via a pair of coupled helical resonators. This pre-tuned filter is made by Toko and results in a compact, low loss filter with a bandwidth of around 20 MHz at the -3 dB points. It essentially determines the overall bandpass and out-of-band rejection for the complete amplifier. It is stocked by Dick Smith Electronics and is a new listing in the 1984 catalogue; L-1850 for the 440 MHz version, L-1860 for the 470 MHz version. Simply using the L-1860 rather than the L-1850 puts the preamp on 470 MHz, making it useful for UHF CB band applications.



Filter pinout. Pin connections and layout of the Toko helical filter set.

### HOW IT WORKS — ETI-737

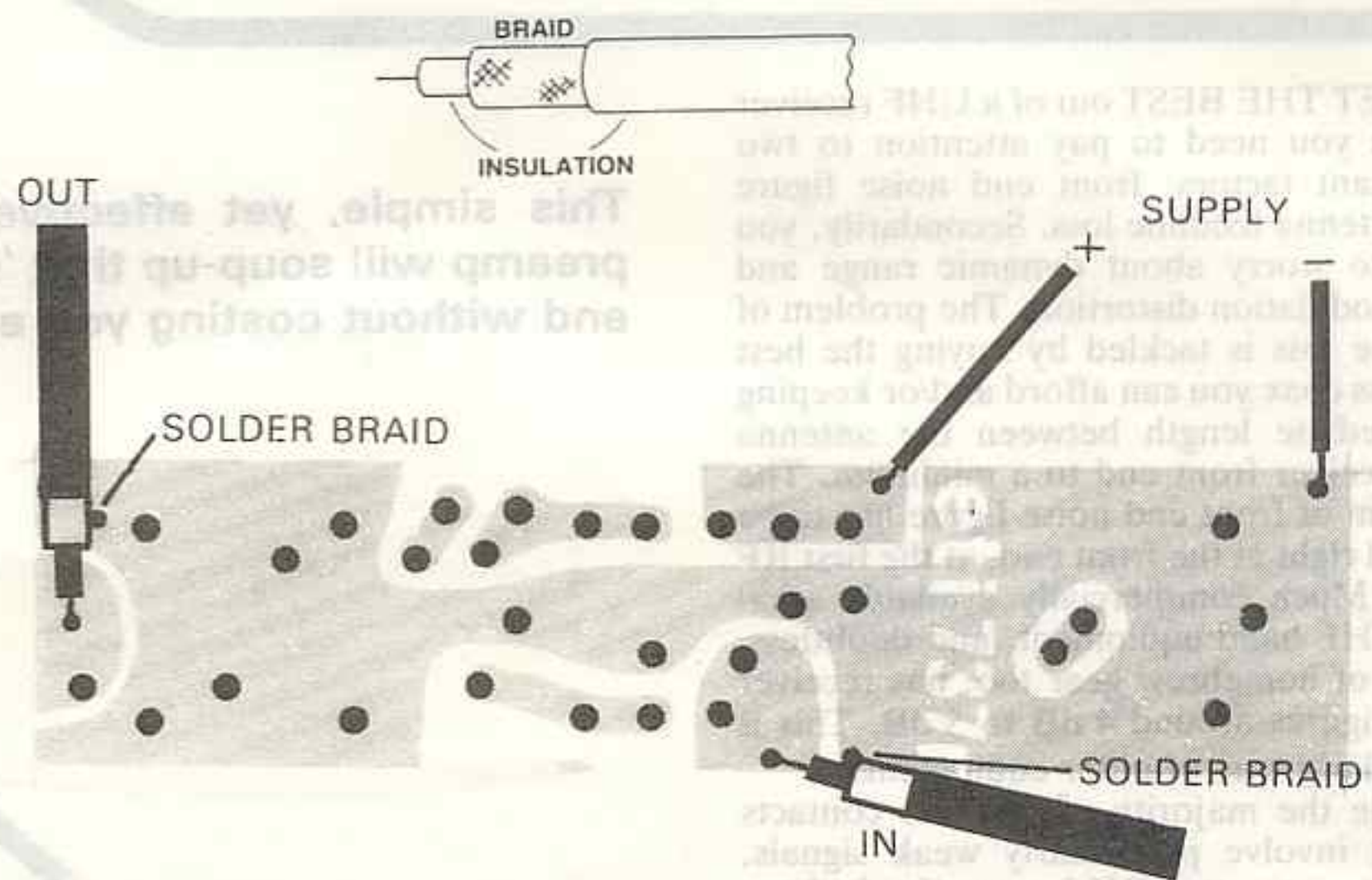
The preamp is designed around the BFR91 which achieves a noise figure of 2 dB or better between 400 and 500 MHz and exhibits a high margin of stability. In addition, it has good dynamic range together with input and output impedances close to 50 ohms when biased for best noise figure. It is a bipolar device and hence has good immunity to electrostatic damage.

The BFR91 is employed in the grounded emitter configuration. Bias is provided by R1, direct from the collector, which is shunt fed via R2. This arrangement provides for dc bias stability with variation in temperature. If the temperature increases, the base current of Q1 will tend to increase, drawing more current via R1. However, the tendency for the base current to increase will be offset by the increase in collector current dropping the collector-emitter voltage, thus robbing the base of bias current as R1 is tied to the collector.

The input tuned circuit is a tuned, single-wire unbalanced transmission line (L1) work-

ing above a groundplane provided on the top surface of the pc board. This is tuned to resonance by CV1. This arrangement has a relatively low Q. The antenna input is tapped directly onto the line (L1). The base of Q1, being a close match to 50 ohms, is tapped onto the same point, coupled via C1 which simply provides dc blocking. The collector of Q1 is coupled to the helical output filter set via C2. As the collector output impedance is also close to 50 ohms, no special matching arrangement need be made, here. Capacitor C3 provides bypassing at UHF while C4 provides bypassing at the lower frequencies.

Overall gain achieved is about 13 dB, although stage gain would be around 15-16 dB but there is some 3 dB loss in the helical output filter set. Bandwidth is essentially determined by this filter and measured 20 MHz at the -3 dB points. Measurements suggest a noise floor of around -130 dBm which equates to a 2 dB noise figure. Out of band rejection was measured to be in excess of 35 dB.



Overlay and wiring diagram.

### Construction

The printed circuit board is double-sided fibreglass with a groundplane on the component side. It measures just 10 mm wide by 50 mm long allowing the preamp to be easily tucked inside a crowded mobile UHF rig. When assembled, maximum height is about 17 mm.

Give the pc board a thorough visual check first. Note that, where components pass through the groundplane but do not connect to it, the copper has been etched away around the hole, providing 1-2 mm clearance. Check that all holes are correctly drilled. On the reverse side, check that there are no fine 'bridges' between the copper 'lands' on the board.

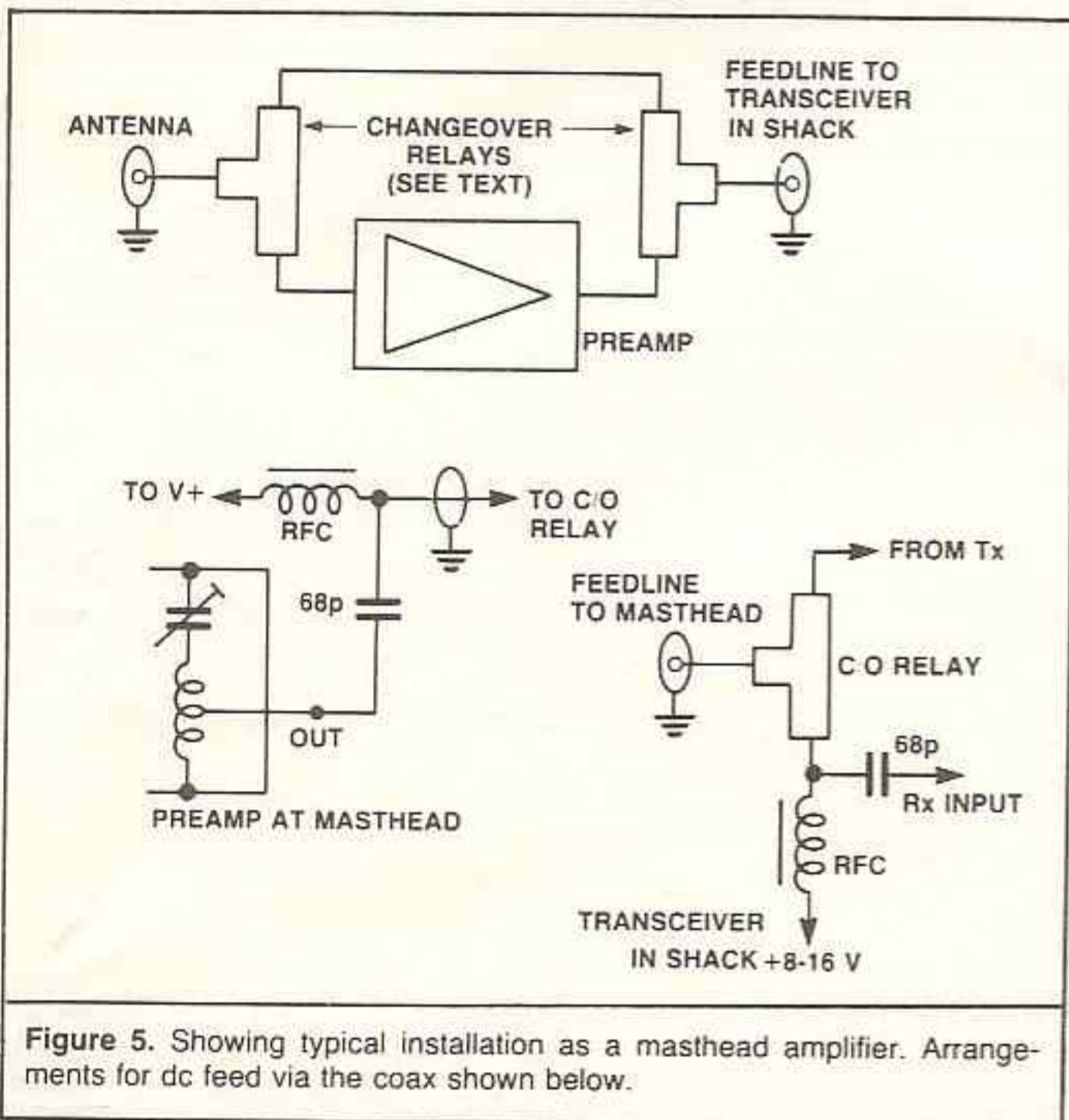
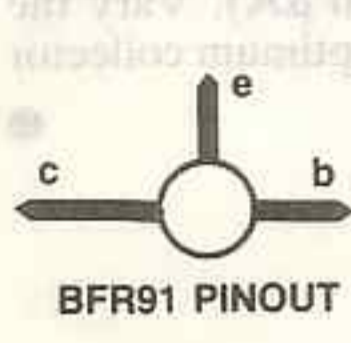
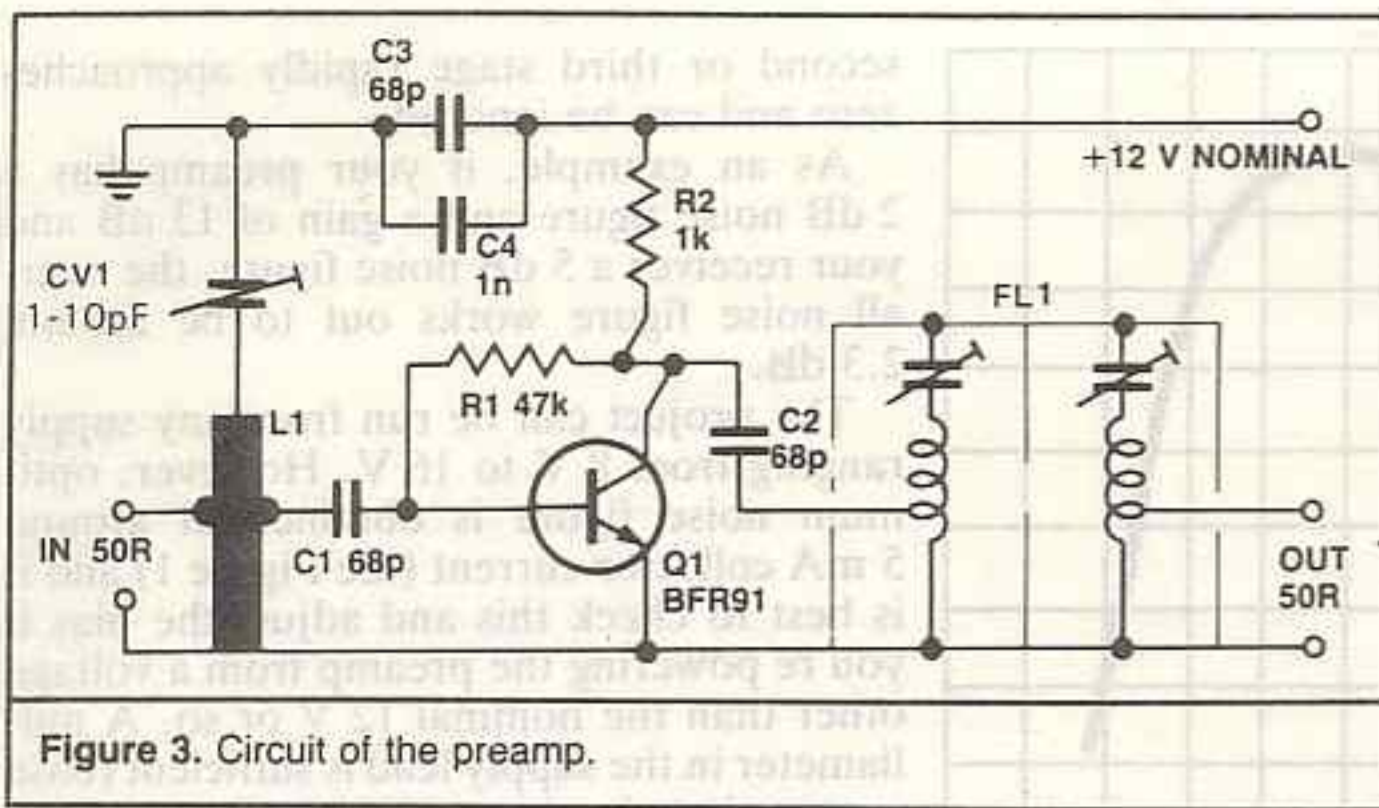
Going from the overlay, fit the BFR91 first. Bend the legs straight down from the body. The emitter (middle) lead should be soldered to both the *top* and *bottom* sides of

the board. Next fit the helical filter set. Orientation is unimportant but the four *can* tags should be soldered to *both the top and bottom* of the pc board.

Make up the input tuned line next. Bend up a piece of 22 gauge tinned copper wire, using the holes in the pc board as a guide. Then, insert the two ends in the board and push the wire down so that it stands 4 mm from the top surface of the pc board and solder it in place. See Figure 4. Solder a short length of wire in place for the 'tap' connection (to the antenna and BFR91 base).

The rest of the components can now be mounted and soldered in place. Make sure they are all well-seated down on the board to minimise lead inductance. Note that the two resistors are mounted upright.

I should make a note here in passing about the resistors and capacitors. It is important that low inductance types be



used, otherwise you're likely to experience some strange results. Most modern low-to-medium value carbon film and metal film resistors rated at 1/2W or less have relatively low inductance and self-capacitance at UHF. The capacitors should be miniature 'plate' or 'disc' types to obtain low self-inductance. The capacitor values are all non-critical. Any value +/- 50% of the nominal value will work (i.e. from 27p to 100p for C1, C2 and C3). Note that the trimmer, CV1, should have the moving plates grounded so that the alignment screwdriver will not detune L1 when you come to adjust CV1. With the capacitor type used on the prototype, a 'flat' on one side identifies the 'hot' (i.e. non-grounded) fixed plates. (See Figure 4).

Short lengths of small diameter coax should be terminated to the input and output lands on the board, as shown with the overlay and wiring diagram. Teflon insulated coax is best for this, or else take great care and solder swiftly using a hot iron. First tin the shield braid and the area of board groundplane to which it will be soldered. Attach supply positive and negative (ground) wires last.

A quick dc check will indicate if you've got it together properly. With a supply of around 12-14 volts connected, see that the

unit draws close to 5 mA.

### Installation and tune-up

This project could be installed as a masthead amplifier or inside a transceiver. Owing to the great variety of differing circumstances likely to be encountered, we can only give general guidelines.

In a masthead installation, apart from the obvious weather and grounding considerations, the unit has to be switched out of the line when transmitting. Even if only moderate powers are used, changeover relays of the type which ground the unoperated connection should be used. The supply voltage can be either via a separate wire or the coax centre conductor, as illustrated in Figure 5.

In a transceiver, the unit should be installed between the antenna changeover circuitry and the input of the RF stage. A typical input circuit and the modification is shown in Figure 6.

For a preliminary tune-up, you can pick a local signal (e.g. a beacon), attenuate it at the input until it's quite weak, then tune CV1 for *best signal-plus-noise/noise ratio*. Don't just 'peak' the signal. By ear, it's a bit of a fudge, but quite acceptable results can be achieved.

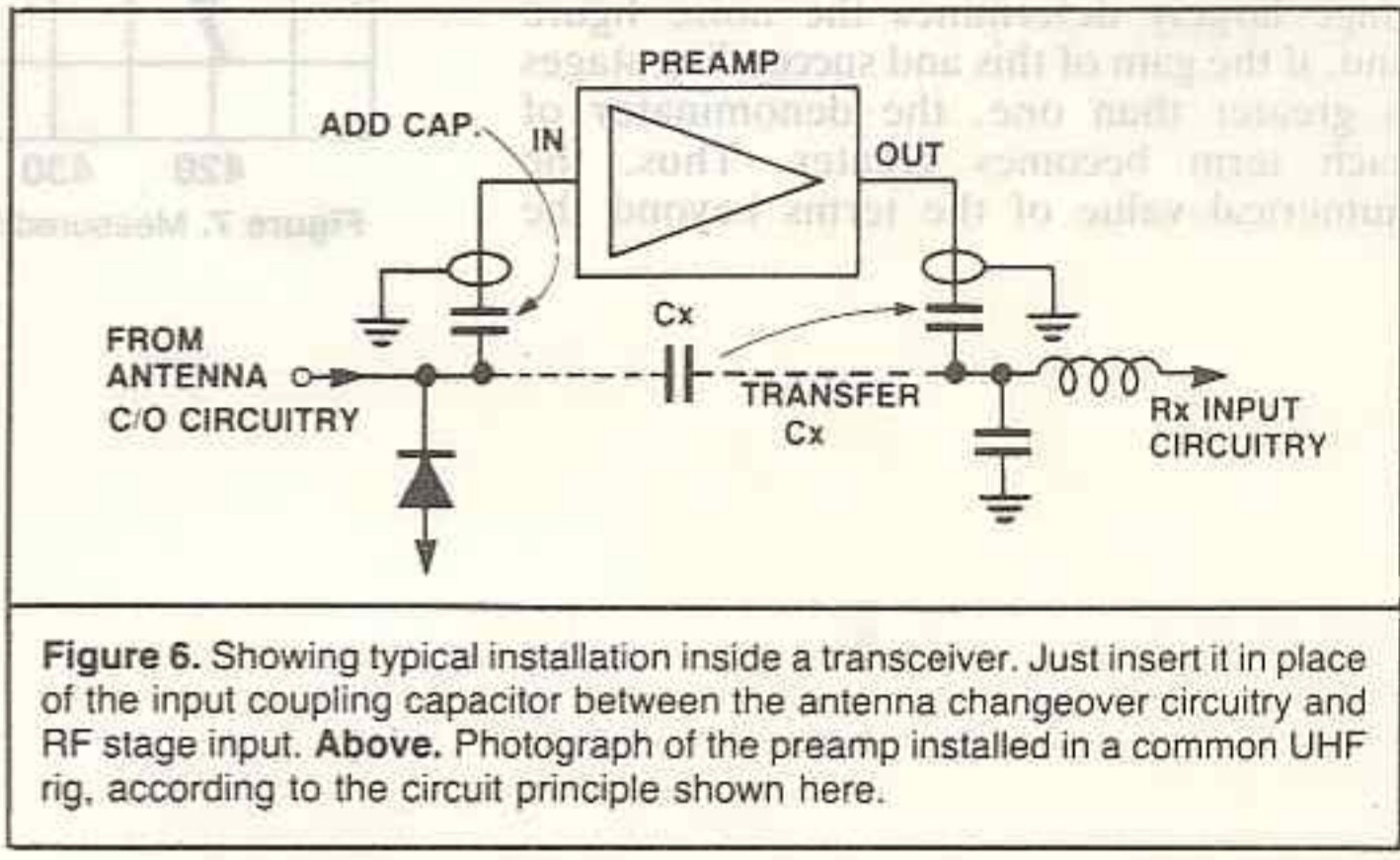
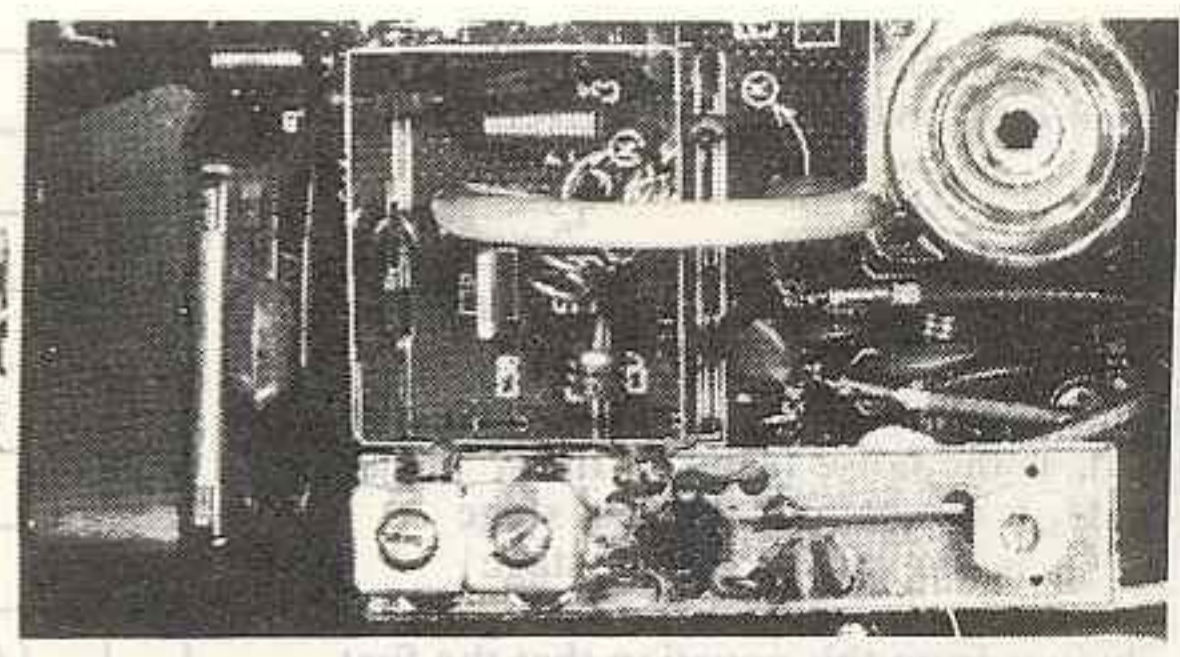


Figure 6. Showing typical installation inside a transceiver. Just insert it in place of the input coupling capacitor between the antenna changeover circuitry and RF stage input. Above. Photograph of the preamp installed in a common UHF rig, according to the circuit principle shown here.

## PARTS LIST

### COMPONENT PACK

- 1X 1K 1/4W Resistor
- 1X 47K 1/4W Resistor
- 1X .001uF 50V Ceramic Cap.
- 3X 68pF 50V Ceramic Cap
- 1X 1 - 10pF Trimcap
- 1X BFR91 Transistor
- 1X 252MN Helical Resonator (L1850-440MHz)

### MISCELLANEOUS PACK

- Tinned copper wire, solder and PCB

THE RESONATORS ARE FACTORY TUNED AND ONLY MINOR ADJUSTMENT IS NECESSARY.

Two other methods, equally good, can be used but you'll need the right equipment. A stable signal generator and noise & distortion meter can be used to set CV1 for *signal-plus-noise/noise ratio* at a given distortion or for minimum distortion (that's what your goal is, after all). Alternatively, a stable noise source and an ac voltmeter can be used to set CV1 for *minimum noise figure*. The necessary equipment and technique for this is described in the ARRL's *Radio Amateurs' VHF Manual*.

### Performance

The measured bandwidth was 20 MHz at the -3 dB points (Figure 7). Mid-band gain was 13 dB. As for dynamic range, the output -1 dB compression point was -3 dBm (0.5 mW), the output saturating at -2 dBm (0.7 mW). When installed in a UHF rig that gave a sensitivity of 1 uV for 12 dB SINAD, sensitivity improved to 0.25 uV for the same SINAD.

The results you get will entirely depend on the noise figure of the existing front end. Note that you won't achieve an overall noise figure equal to the preamp's noise figure because the existing front end also

contributes some noise. The overall noise factor of a receiving system is given by:

$$F = f_1 + \frac{f_2 - 1}{G_1} + \dots + \frac{f_n - 1}{G_n \dots G_2 G_1}$$

where  $f_1$  is the noise factor of the first stage  
 $f_n$  is the noise factor of the  $n^{\text{th}}$  stage  
 $G_1$  is the gain of the first stage  
 $G_n$  is the gain of the  $n^{\text{th}}$  stage

It's obvious from this equation that the first stage largely determines the noise figure and, if the gain of this and succeeding stages is greater than one, the denominator of each term becomes greater. Thus, the numerical value of the terms beyond the

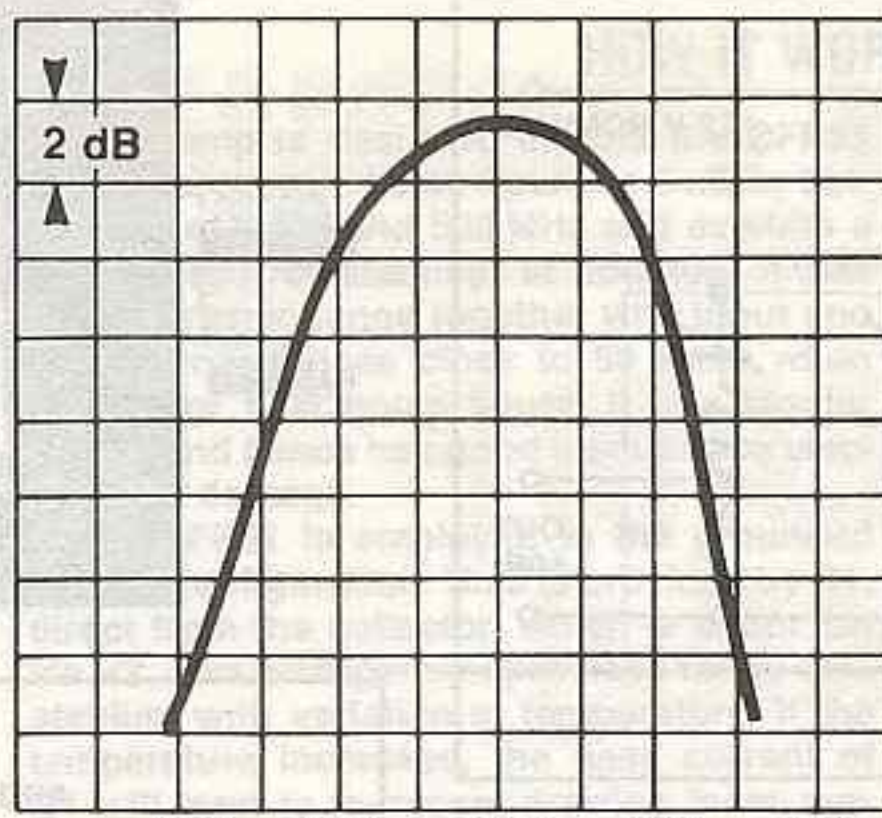


Figure 7. Measured bandwidth of the preamp.

second or third stage rapidly approaches zero and can be ignored.

As an example, if your preamp has a 2 dB noise figure and a gain of 13 dB and your receiver a 5 dB noise figure, the overall noise figure works out to be around 2.3 dB.

The project can be run from any supply ranging from 8 V to 16 V. However, optimum noise figure is obtained at around 5 mA collector current (see Figure 1) and it is best to check this and adjust the bias if you're powering the preamp from a voltage other than the nominal 12 V or so. A milliammeter in the supply lead is sufficient (base current is only about 50-60  $\mu$ A). Vary the value of R1 to obtain the optimum collector current.

**COMPONENT PACK**

1K 1W Resistor	1X
1K 1/2W Resistor	1X
100 $\mu$ F 50V Ceramic Cap	1X
80 $\mu$ F 80V Ceramic Cap	3X
10 $\mu$ F 10 $\mu$ F Trimmer	1X
BC107 Transistor	1X
225M $\Omega$ Resistor	1X

**MISCELLANEOUS PACK**

100 $\mu$ F 50V Ceramic Cap  
 80 $\mu$ F 80V Ceramic Cap  
 10 $\mu$ F 10 $\mu$ F Trimmer  
 BC107 Transistor  
 225M $\Omega$  Resistor

**PARTS LIST**

100 $\mu$ F 50V Ceramic Cap  
 80 $\mu$ F 80V Ceramic Cap  
 10 $\mu$ F 10 $\mu$ F Trimmer  
 BC107 Transistor  
 225M $\Omega$  Resistor

**Installation and tuning**

The project can be installed as a must-head unit or as a separate unit. Owing to the great variety of different components likely to be connected we can only give general guidelines.

In a matched installation, apart from the obvious weather and ground connections, the antenna has to be matched out of the line which transmitting from the antenna. The antenna should be matched to the transmitter. The antenna should be matched to the transmitter. The antenna should be matched to the transmitter.

The measured bandwidth is 2.3 dB. The measured bandwidth is 2.3 dB. The measured bandwidth is 2.3 dB.

# DICK SMITH ELECTRONICS

HEAD OFFICE AND MAIL ORDER CENTRE: P. O. Box 321 NORTH RYDE 2113. TEL (02) 888 3200. TELEX AA20036. CABLES 'DISKMIT' SYDNEY.

<b>NSW</b> Cnr. Swift & Young Sts Parramatta Rd & Melton St 755 Terrace Level 613 Princes Hwy Deford & Adelaide Sts. 531 Pittwater Rd 147 Hume Hwy 162 Pacific Hwy 315 Mann St 4 Florence St Euraorth Dr & Bathurst St 173 Marland Rd Lane Cove & Waterloo Rds	<b>ALBURY</b> 21 8399 <b>AUBURN</b> 648 0558 <b>BANKSTOWN SQ</b> 707 4888 <b>BLAKEHURST</b> 546 7744 <b>BONDI JCT</b> 387 1444 <b>BROOKVALE</b> 93 0441 <b>CHULLORA</b> 642 8922 <b>GORE HILL</b> 439 5311 <b>GOSFORD</b> 25 0235 <b>HORNSBY</b> 477 6633 <b>LIVERPOOL</b> 600 9888 <b>NEWCASTLE</b> 61 1896 <b>NORTH RYDE</b> 88 3855	George & Smith Sts The Gateway, High & Henry Sts 818 George St 6 Bridge St 125 York St Tamworth Acde & Kable Ave 263 Kera St 96 Gladstone St Creswick Rd & Webster St Cnr Hawthorn Rd & Nepean Hwy 760 Sydney Rd Nepean Hwy & Ross Smith Ave 205 Melbourne Rd	<b>PARRAMATTA</b> 689 2188 <b>PENRITH</b> 32 3400 <b>RAILWAY SQ</b> 211 3777 <b>SYDNEY</b> 27 5051 <b>SYDNEY</b> 267 9111 <b>TAMWORTH</b> 66 1961 <b>WOLLONGONG</b> 28 3900 <b>FYSHWICK</b> 80 4944 <b>BALLARAT</b> 31 5433 <b>BRIGHTON (EAST)</b> 592 2677 <b>COBURG</b> 383 4455 <b>FRANKSTON</b> 783 9144 <b>GEELONG</b> 78 6786	399 Lonsdale St Edge Rd & The Boulevard Springvale & Dandenong Rds 293 Adelaide St 166 Logan Rd Gympie & Hamilton Rds Cnr Gold Coast Hwy & Welch St Bowen & Ruthven Sts Ingham Rd & Cowley St. West End Wright & Market Sts Main South & Flagstaff Rds Main North Rd & Darlington St Wharf St & Albany Hwy	<b>MELBOURNE</b> 67 9834 <b>RICHMOND</b> 428 1614 <b>SPRINGVALE</b> 547 0522 <b>BRISBANE</b> 229 9377 <b>BURANDA</b> 391 6233 <b>CHERMESIDE</b> 359 6255 <b>SOUTHPORT</b> 32 9863 <b>TOOWOOMBA</b> 38 4300 <b>TOWNSVILLE</b> 72 5722 <b>ADELAIDE</b> 212 1962 <b>DARLINGTON</b> 298 8877 <b>ENFIELD</b> 260 6088 <b>CANNINGTON</b> 451 8866	<b>INCORPORATED IN NSW</b> William St & Robinson Ave Centenary Acde, Hay St 25 Barrack St 17 Stuart Hwy	<b>PERTH</b> 328 6844 <b>PERTH</b> 321 4357 <b>HOBART</b> 31 0800 <b>STUART PARK</b> TBA
---	--	---	---	--	---	---	---

Also in Auckland, New Zealand. Re-sellers across Australia & N.Z.  
 Check with local store for store hours.  
 Any terms offered are to approved, personal applicants  
 through HFC finance. Terms are not available on mail orders.