

*Original copy of blue tape used*

# ASSEMBLY INSTRUCTIONS

## TELREX ROTATOR

### IMPORTANT!

WHEN REFERRING TO THIS CUSTOM-BUILT TELREX EQUIPMENT, PLEASE SUPPLY MODEL NUMBER, SERIAL NUMBER, DATE OF PURCHASE AND FROM WHOM, SO THAT WE CAN MORE EFFECTIVELY HANDLE YOUR INQUIRY.

MODEL

SERIAL NO.

PUR. DATE

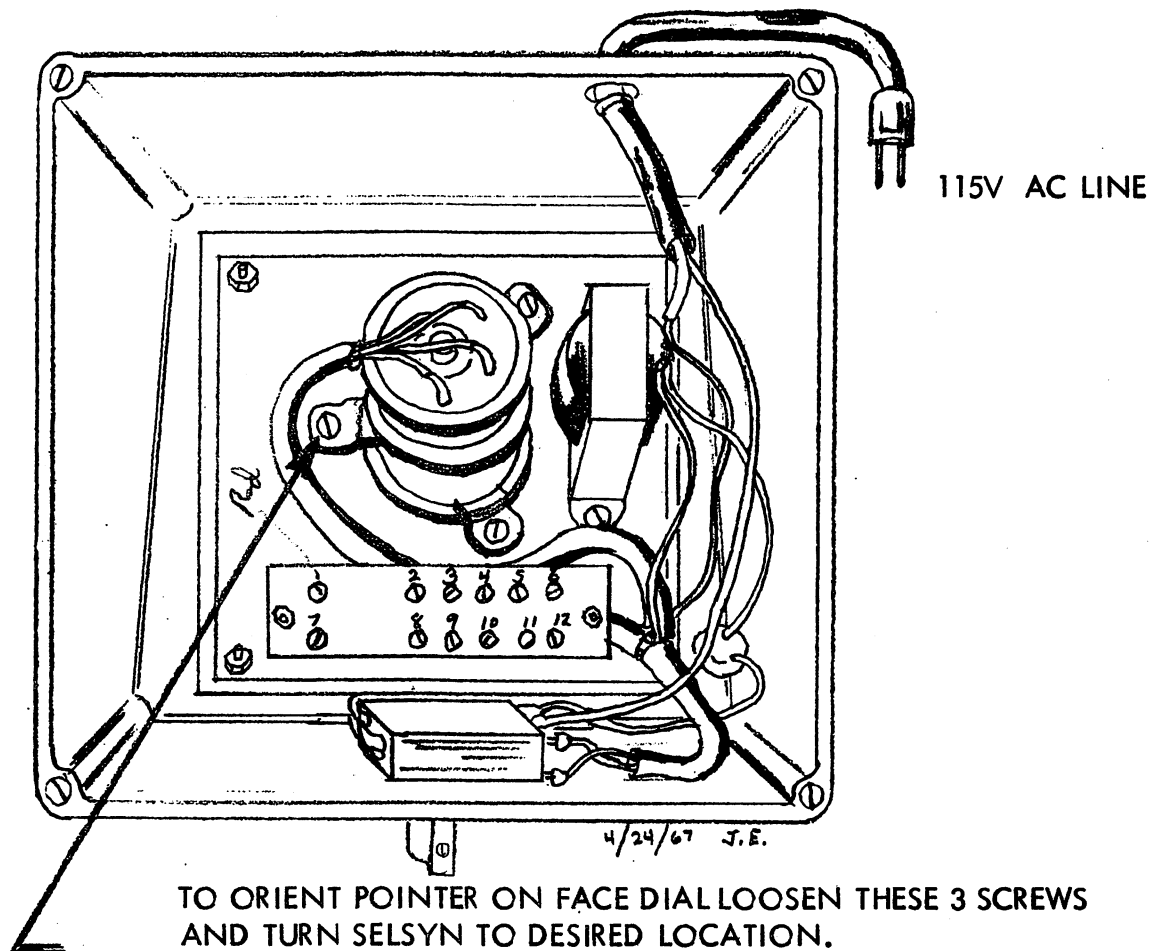


ASBURY PARK NEW JERSEY, U.S.A.

201-775-7852

*Charles  
E. Colino*

## INTERIOR VIEW INDICATION CONTROL CONSOLE -



To orient the antenna with the indicator box, first hook up the control cable and plug into 115 VAC line. Turn on the switch at the control box and run it left or right until it stops. Then reverse it approximately 180° to some convenient point on the compass.

Next: Out at the rotator, loosen the mast clamps and using a compass, point the antenna to the same reading as shown on the indicator. If further fine adjustment is necessary, loosen the three screws holding the selsyn inside the control box (as shown) turn slightly in either direction and again tighten the screws.

**NOTE:: CAUTION !** To reverse the direction of the rotation ALWAYS Stop in the OFF position for TWO or THREE SECONDS to prevent motor from rotating in same direction when indicator switch is reversed. There is approx. 6° of forward momentum because of residual magnetism and momentum that will cause motor to continue in same direction unless you pause in the OFF position. This is IMPORTANT when approaching the limit of rotation since you can by-pass the switching circuits, thus tearing your transmission line.

### ZERO ADJUST BUTTON

**NOTE:** When the indicator switch is turned back to "OFF" after operation, the forward momentum of the Rotator due to the residual voltage will carry it forward briefly, while the Indicator pointer stops at once causing the Indicator pointer to be positioned behind the Antenna Rotator approximately Six degrees when the Rotator has come to a stop.

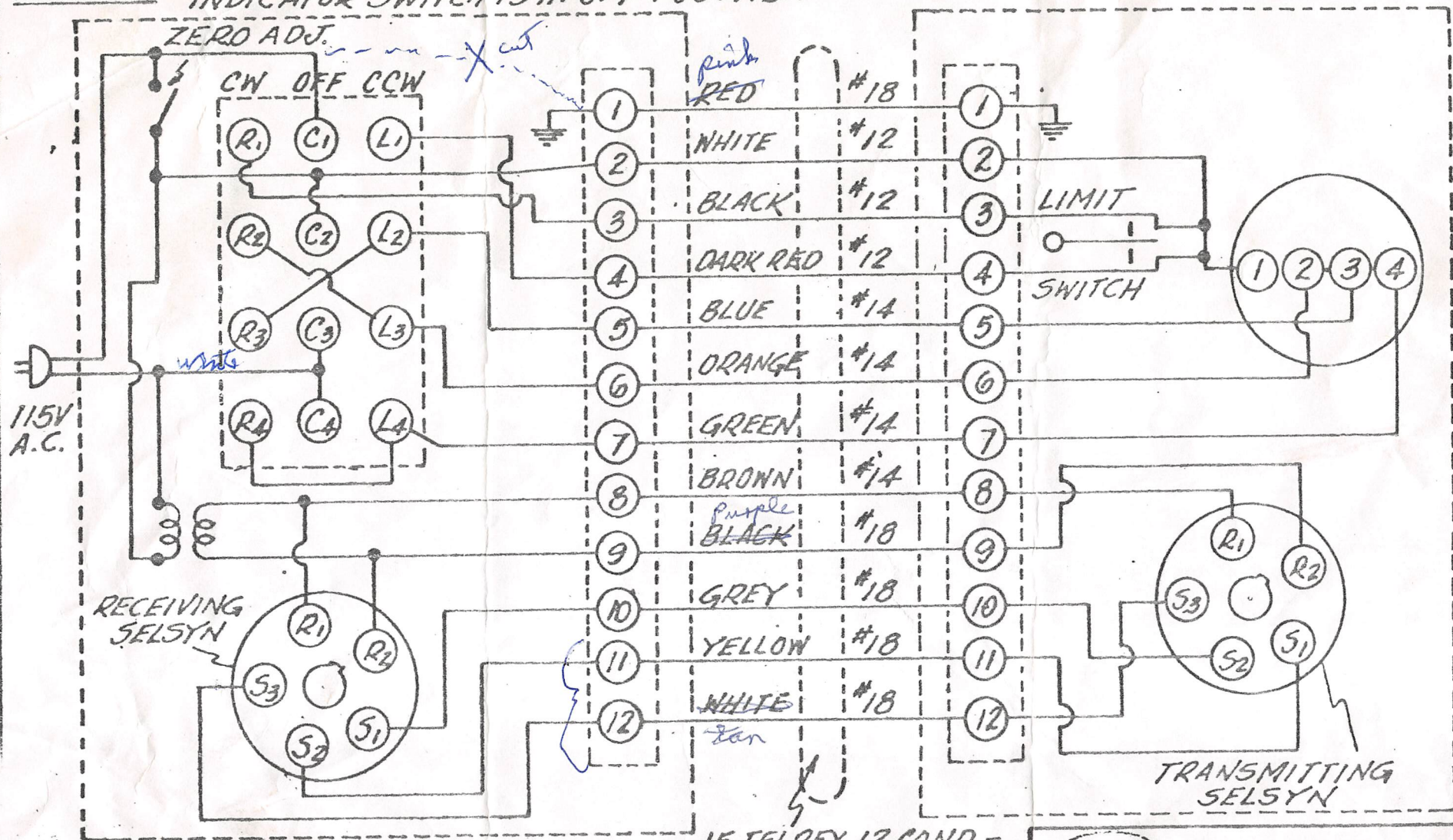
With the Indicator switch in the "OFF" position, momentarily press the RED button. It will energize the Indicator Selsyn only and this causes the Selsyn and the pointer at the Indicator to move to a position matching the final resting position of the Antenna Rotator.

The above operation resynchronizes the system.

TELEX COMMUNICATION ENGINEERING LABS.

ASBURY PARK, N. J. 07712

**CAUTION - DO NOT PRESS "ZERO ADJ." BUTTON UNTIL INDICATOR SWITCH IS IN OFF POSITION**

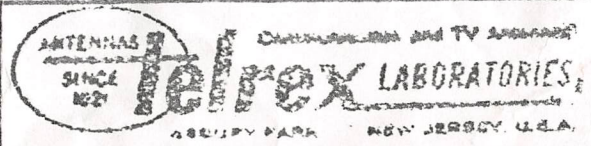


**INDICATOR UNIT**

**CAUTION!!** HESITATE IN OFF POSITION (3) THREE SECONDS BEFORE PROCEEDING TO REVERSE - IF YOU DO NOT YOU WILL BYPASS LIMIT OF ROTATION CIRCUITRY.

**REMEMBER!!** THE MOTOR DOES NOT REVERSE INSTANTLY.

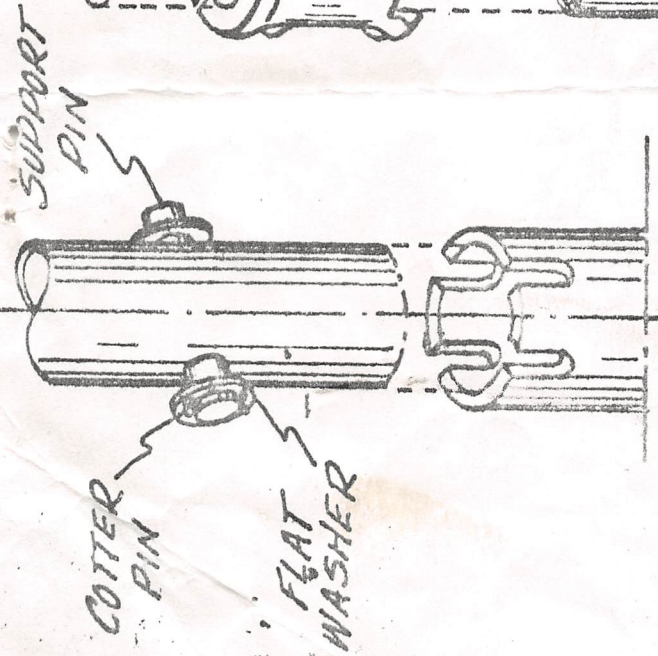
IF TELREX 12 COND - UCTOR CABLE IS USED FOLLOW THIS COLOR CODE - OR USE THE SAME SIZE WIRE.



**SCHEMATIC WIRING DIAGRAM**

ROTATOR MODEL -

DRWG. NO - C750707 RA



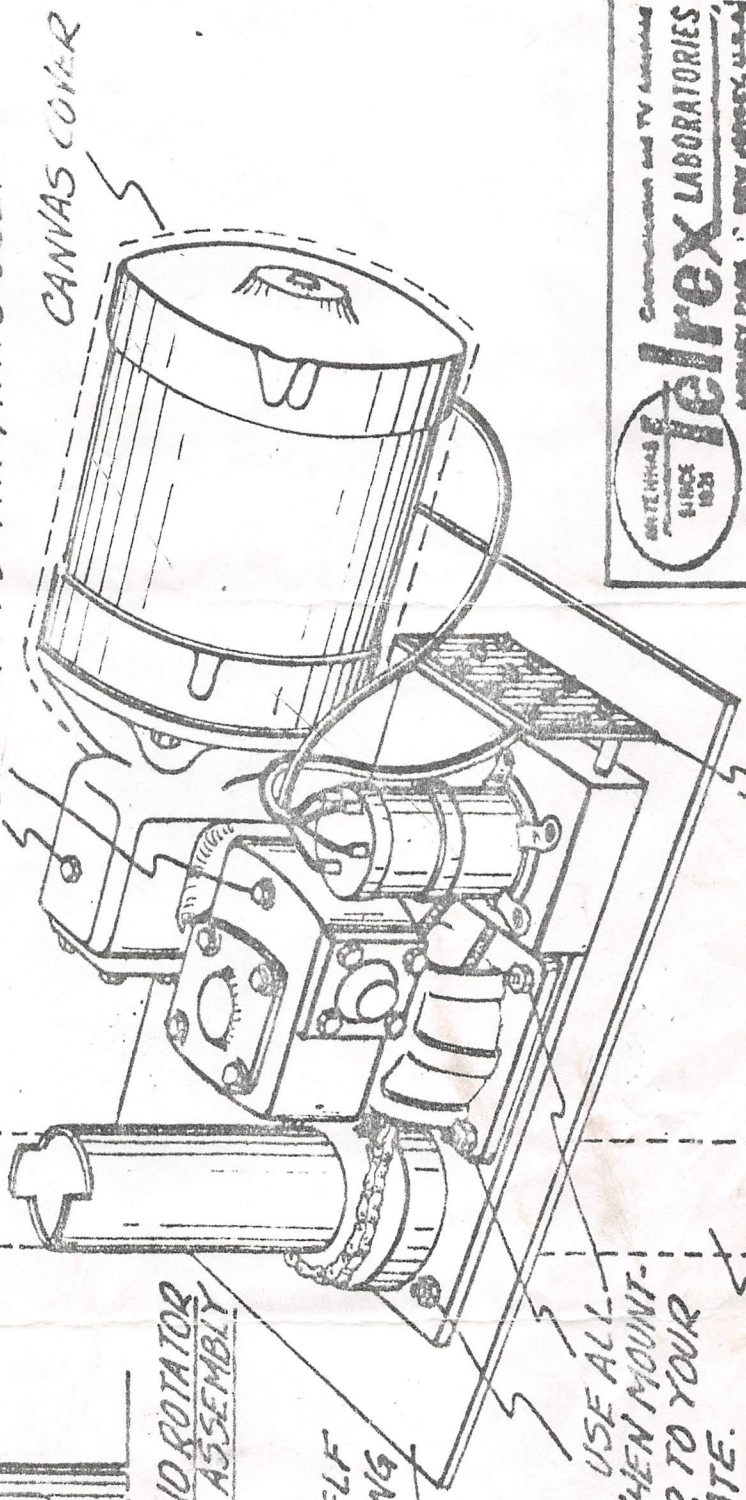
30.0 MAST AND ROTATOR MECHANICAL ASSEMBLY

YOUR TONER SHELF OR OTHER MOUNTING PLATE.

TELREX CAST MAST CLAMP

20.0 MAST AND ROTATOR MECHANICAL ASSEMBLY.

NOTE: FILL WITH #20 NON-DETERGENT OIL BEFORE PUTTING INTO USE.



IMPORTANT: USE ALL (6) HOLES WHEN MOUNTING ROTATOR TO YOUR SUPPORT PLATE.

20.0 MASTING FEEDS THRU ROTATOR

COMMUNICATIONS and TV EQUIPMENT

**telrex** LABORATORIES

EST. 1948 SINCE 1928

LABORATORY PLANT NEW JERSEY, U.S.A.

TELREX ROTATOR - INDICATOR SYSTEM MODEL -

DRWG NO. - C750027RA

SUPERFEEDS DRAWING NO. 842180 REV. 1/68