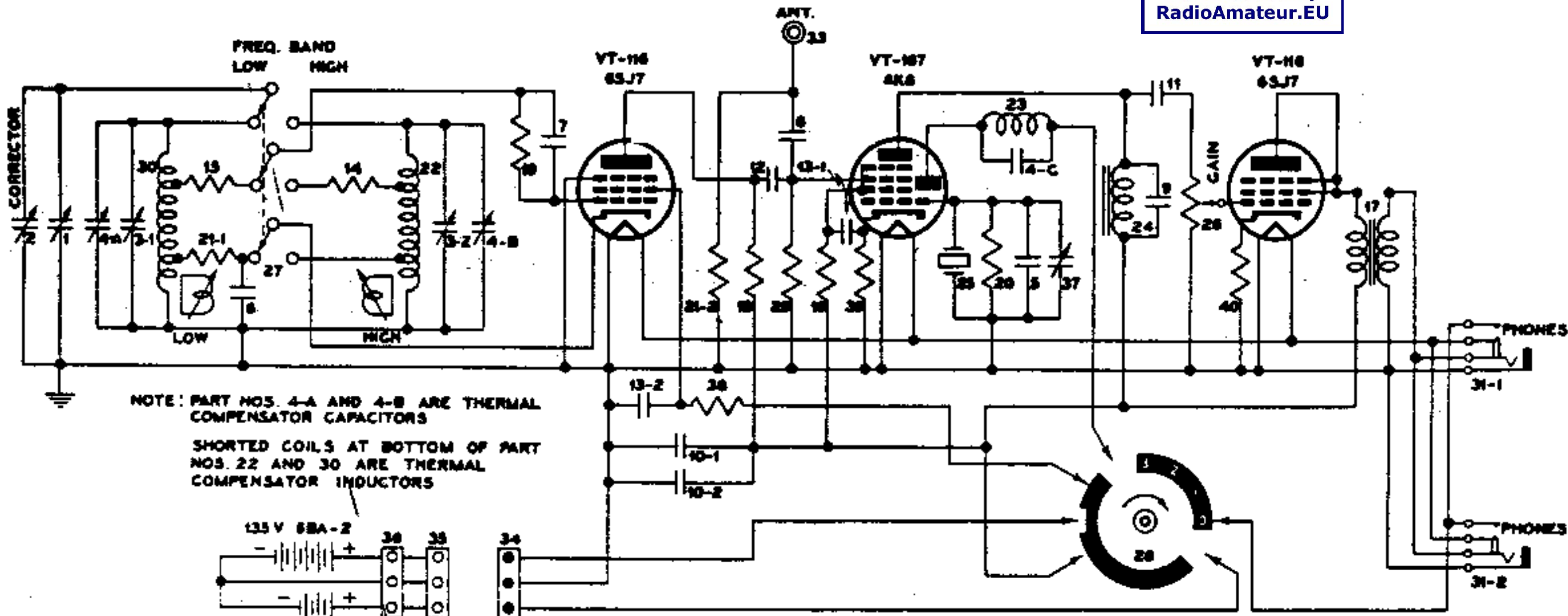
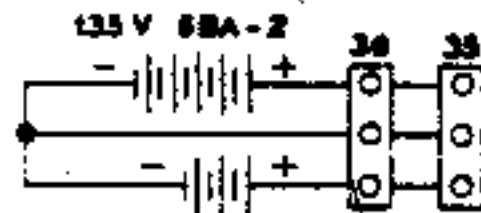


# SCHEMATIC DIAGRAM FREQUENCY METER BC-221-AE

Downloaded by  
RadioAmateur.EU



NOTE: PART NOS. 4-A AND 4-B ARE THERMAL COMPENSATOR CAPACITORS  
SHORTED COILS AT BOTTOM OF PART NOS. 22 AND 30 ARE THERMAL COMPENSATOR INDUCTORS



6V 4BA-23

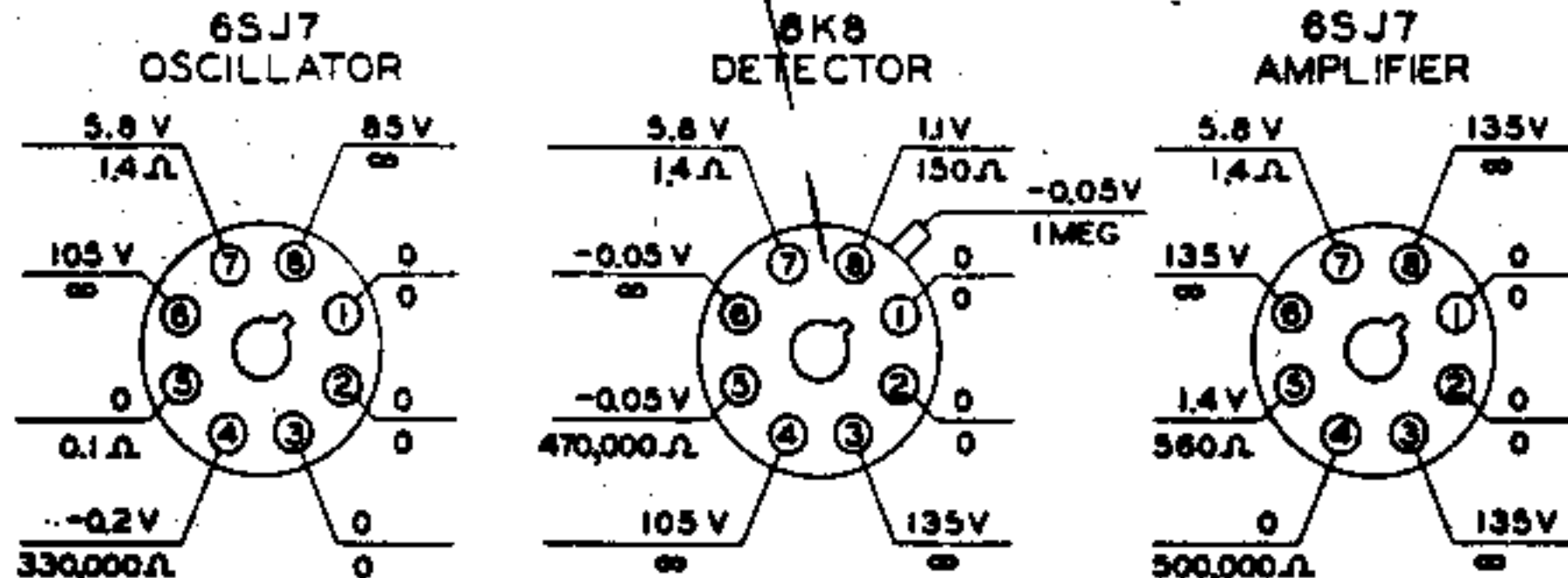
### PARTS LEGEND

REF	DESCRIPTION	REF	DESCRIPTION	REF	DESCRIPTION	REF	DESCRIPTION	REF	DESCRIPTION
1 <sup>a</sup>	200 μf	9	3.002 μf	17	OUTPUT TRANS	25	CRYSTAL	34	POWER PLUGS
2 <sup>a</sup>	1.2 μf	10-1&2	0.5 μf	18 <sup>a</sup>	50,000 OHM	26	0.5 MEGOHM	35	POWER JACKS
3-1&2	15 μf	11	0.25 μf	19 <sup>a</sup>	330,000 OHM	27 <sup>a</sup>	SWITCH	36	BATTERY TERM.
4-A,B,C	10 μf	12 <sup>a</sup>	50 μf	20	1 MEGOHM	28	470,000 OHM	37	12 μf
5	6.5 μf	13-1&2 <sup>a</sup>	0.001 μf	21-1&2	5,000 OHM	29	7.06 MILLIHT	38 <sup>a</sup>	20,000 OHM
6 <sup>a</sup>	250 μf	14 <sup>a</sup>	27 OHM	22 <sup>a</sup>	25.84 MICRONY	30 <sup>a</sup>	JACK	39	150 OHM
7 <sup>a</sup>	15 μf	15 <sup>a</sup>	1,500 OHM	23	735 MICRONY	31-1&2	BINDING POST	40	1,000 OHM
8	25 μf	16	10,000 OHM	24	40 HENRYS	33			

0 - OFF  
1 - CRYSTAL  
2 - OPERATE  
3 - CHECK

**CAUTION:** These circuits components comprise the variable frequency oscillator and cannot be replaced without special test equipment.

### RESISTANCE AND VOLTAGE MEASUREMENTS



### NOTES

1. RESISTANCE MEASUREMENTS MADE WITH BATTERIES AND TUBES REMOVED. CONTROLS AS FOLLOWS:  
 K1 - MAXIMUM  
 K2 - CHECK  
 K3 - HIGH  
 K4 - CENTERED
2. KNOB SETTINGS FOR TUBE SOCKET VOLTAGES  
 K1 - MAXIMUM  
 K2 - CHECK  
 K3 - LOW  
 K4 - CENTERED

TL 10638