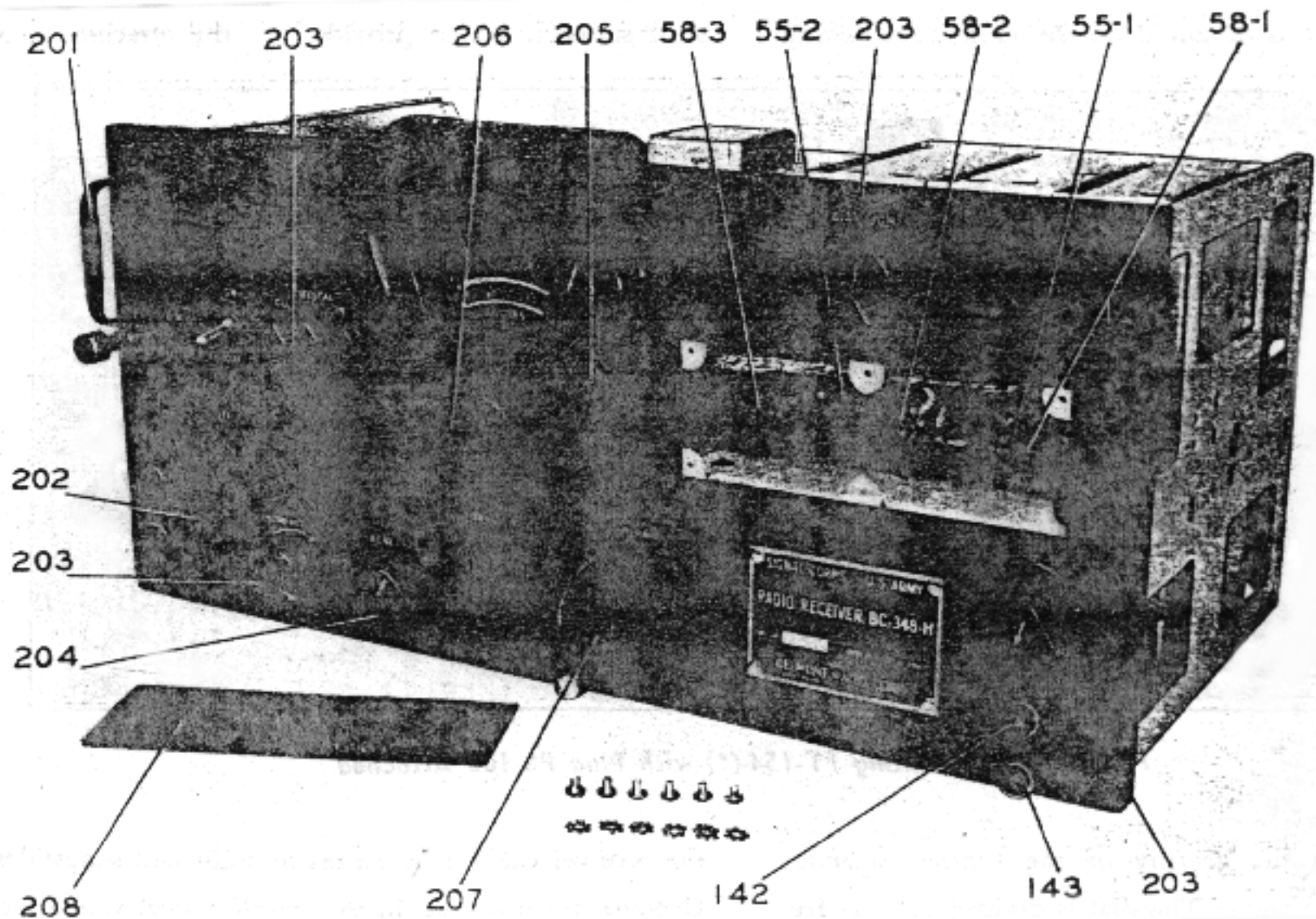
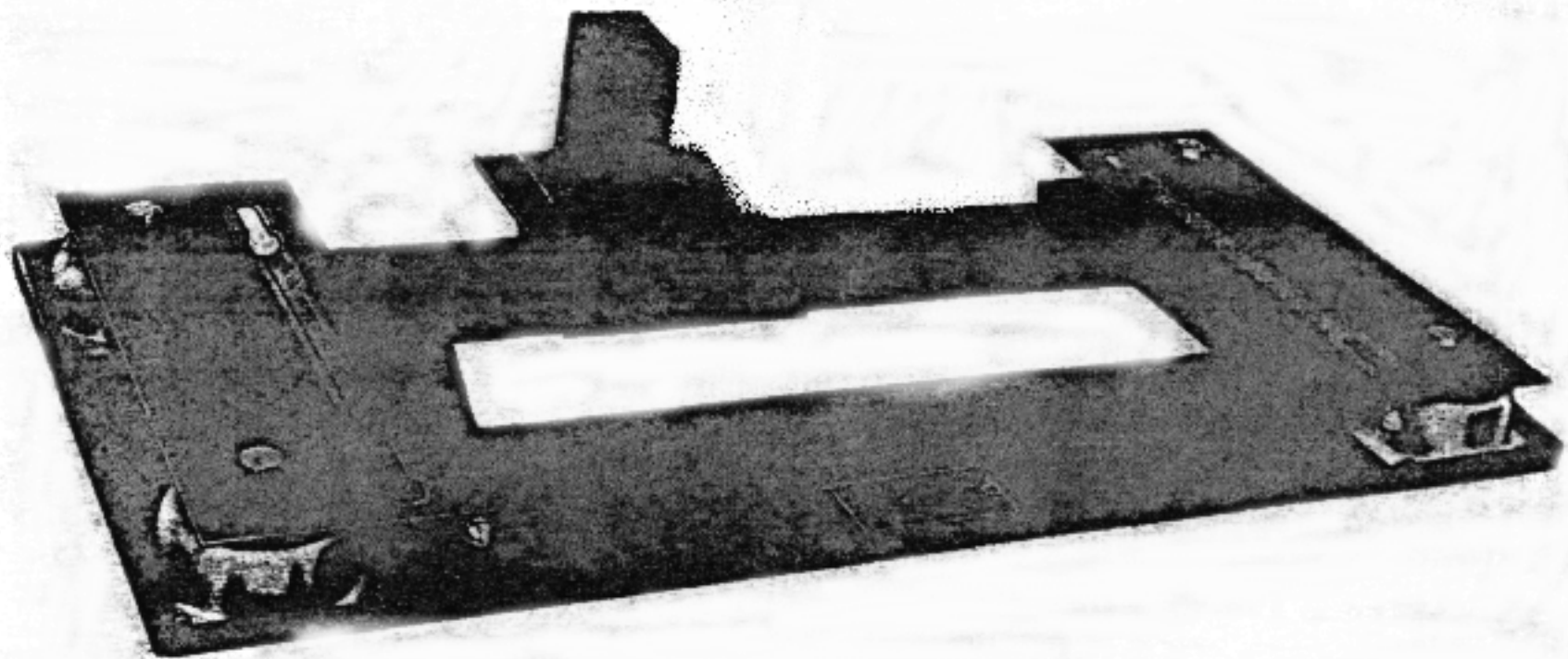
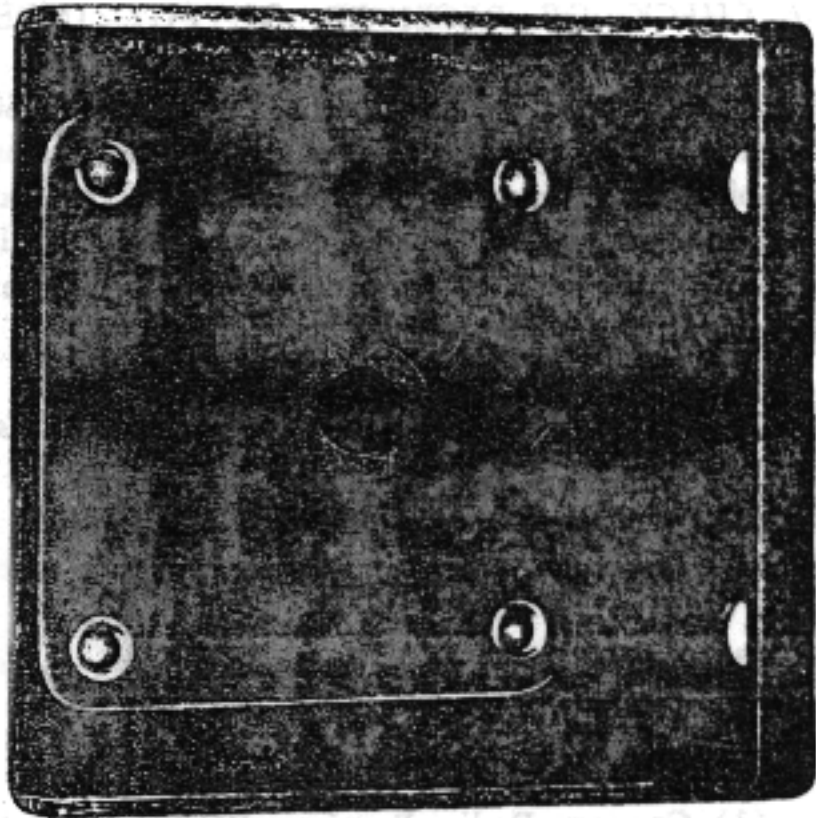


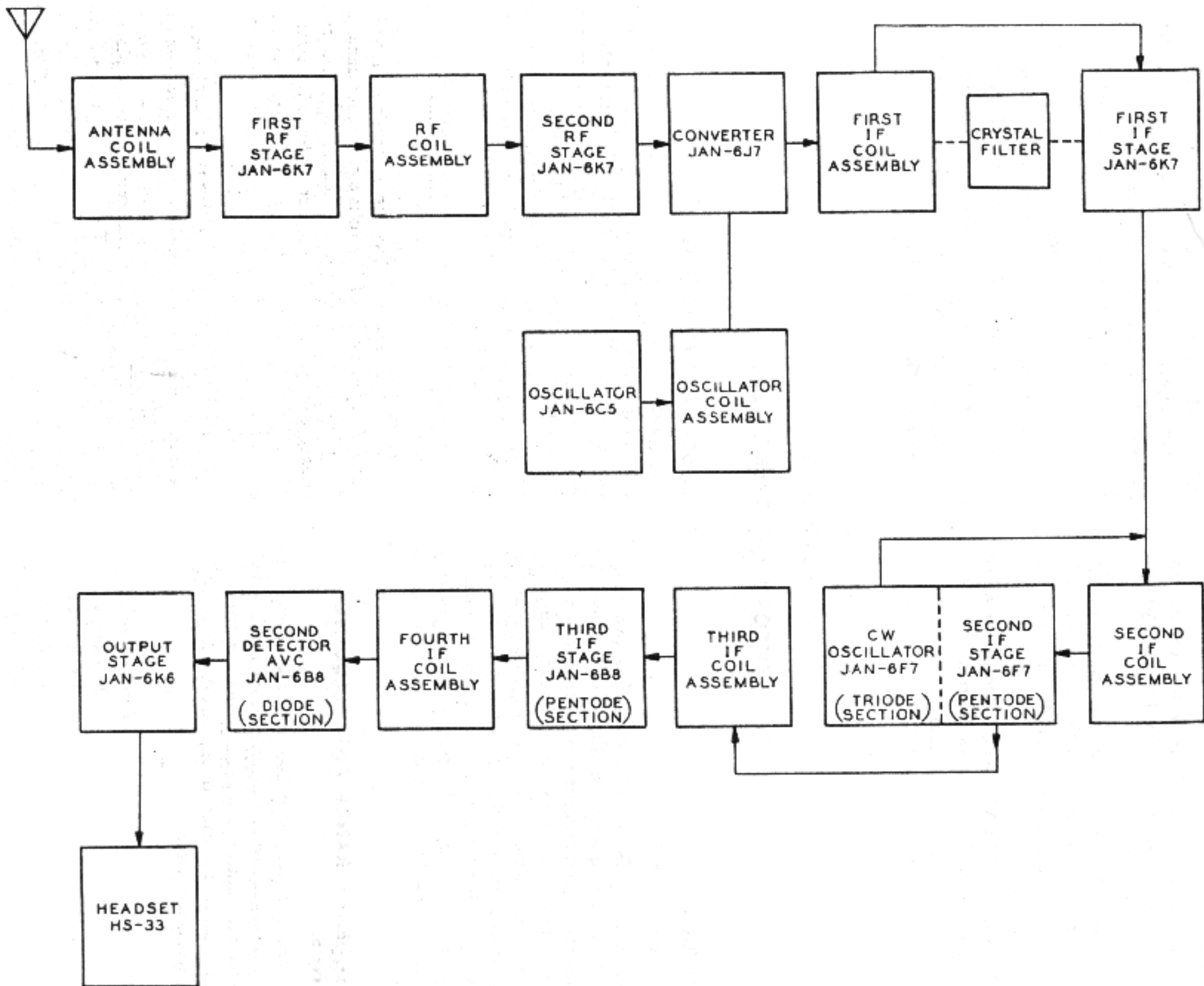
Downloaded by
RadioAmateur.EU

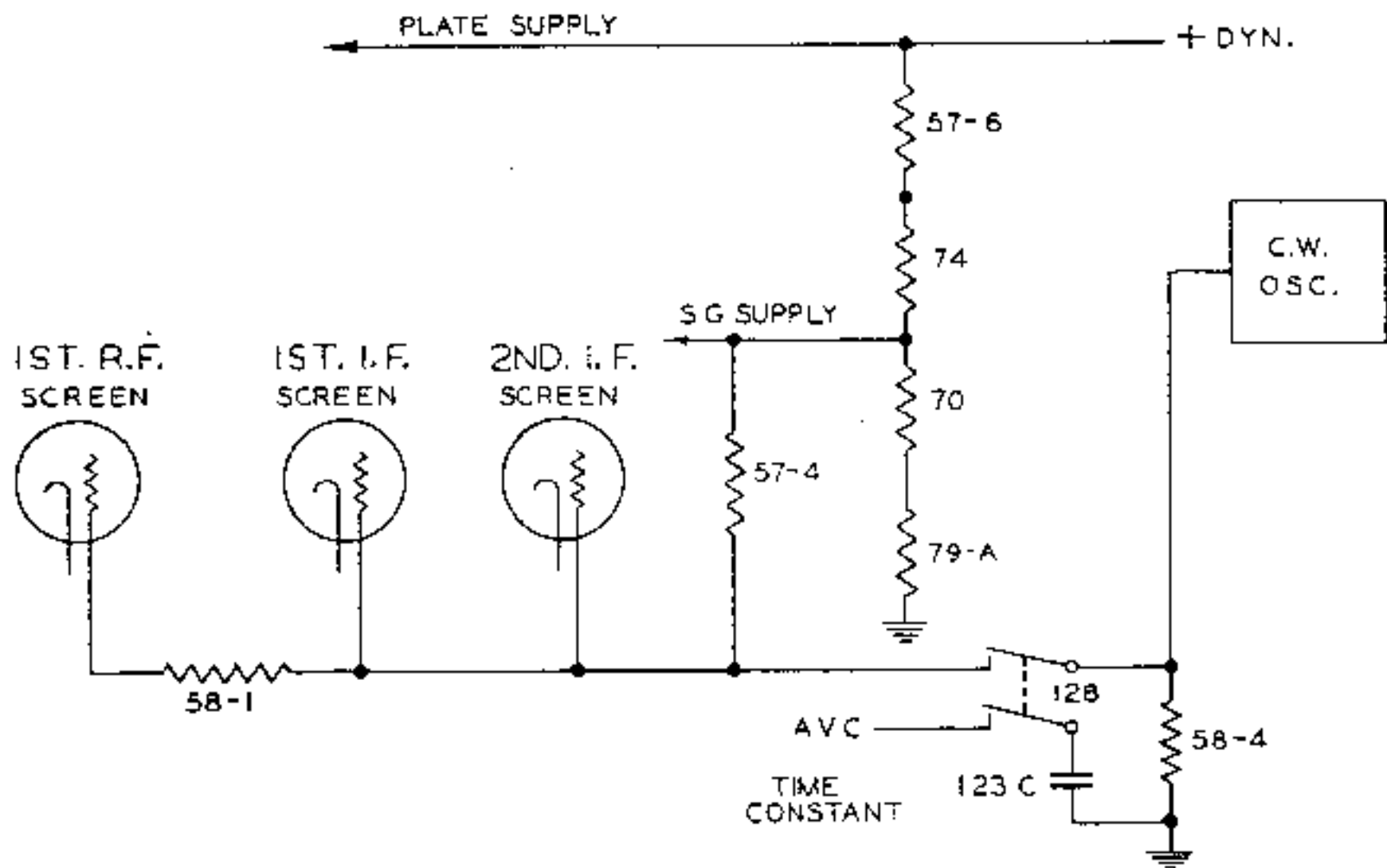


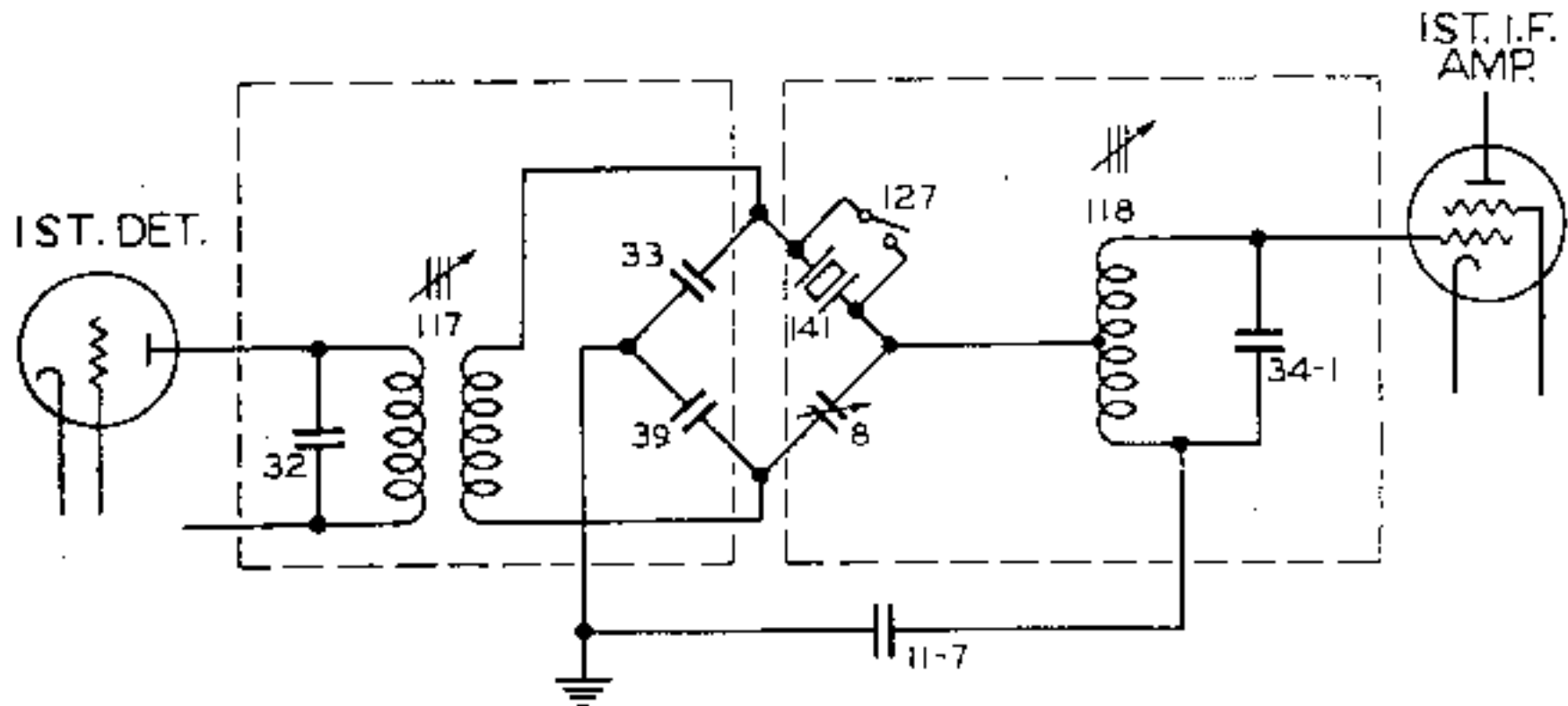


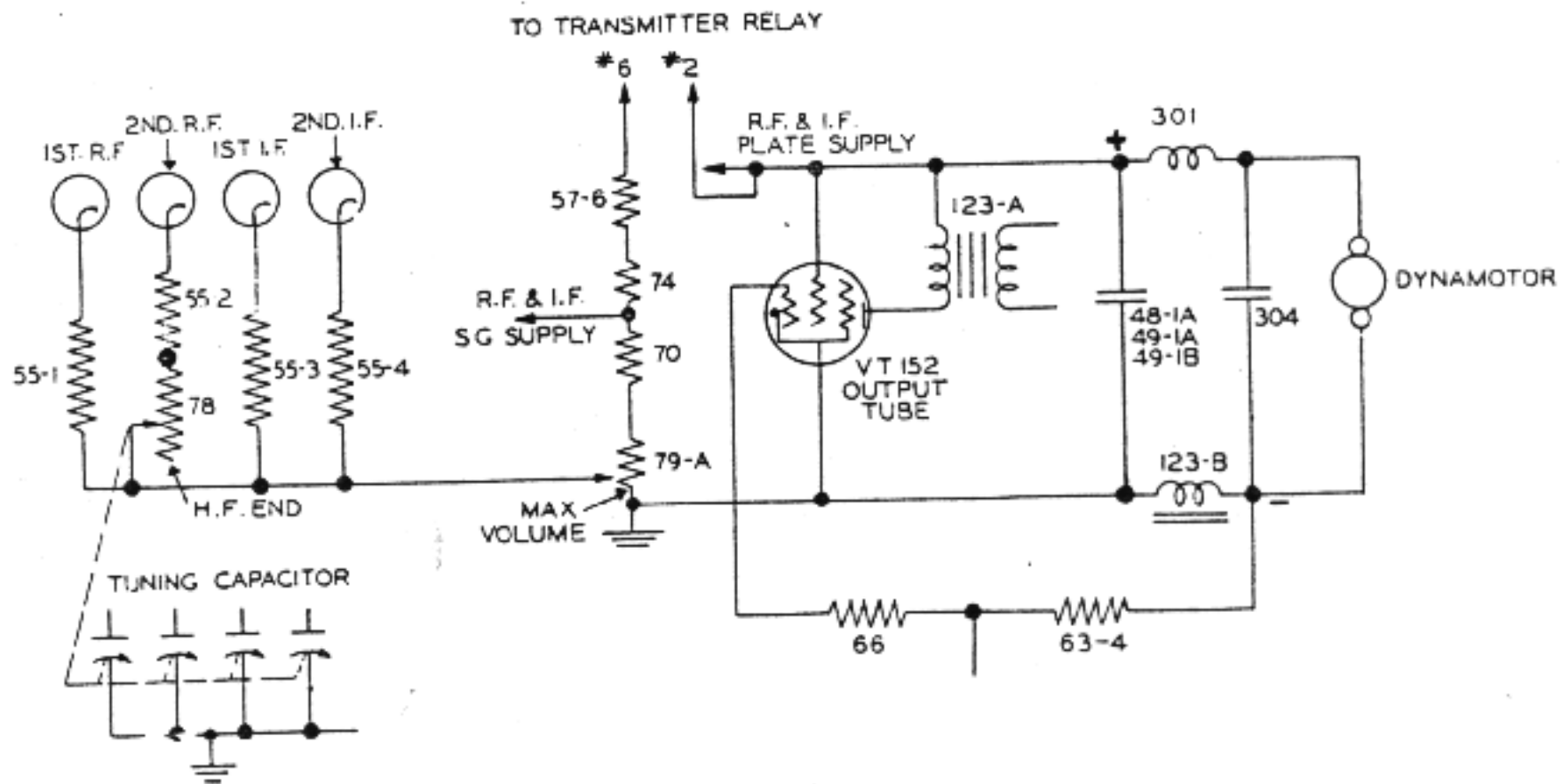


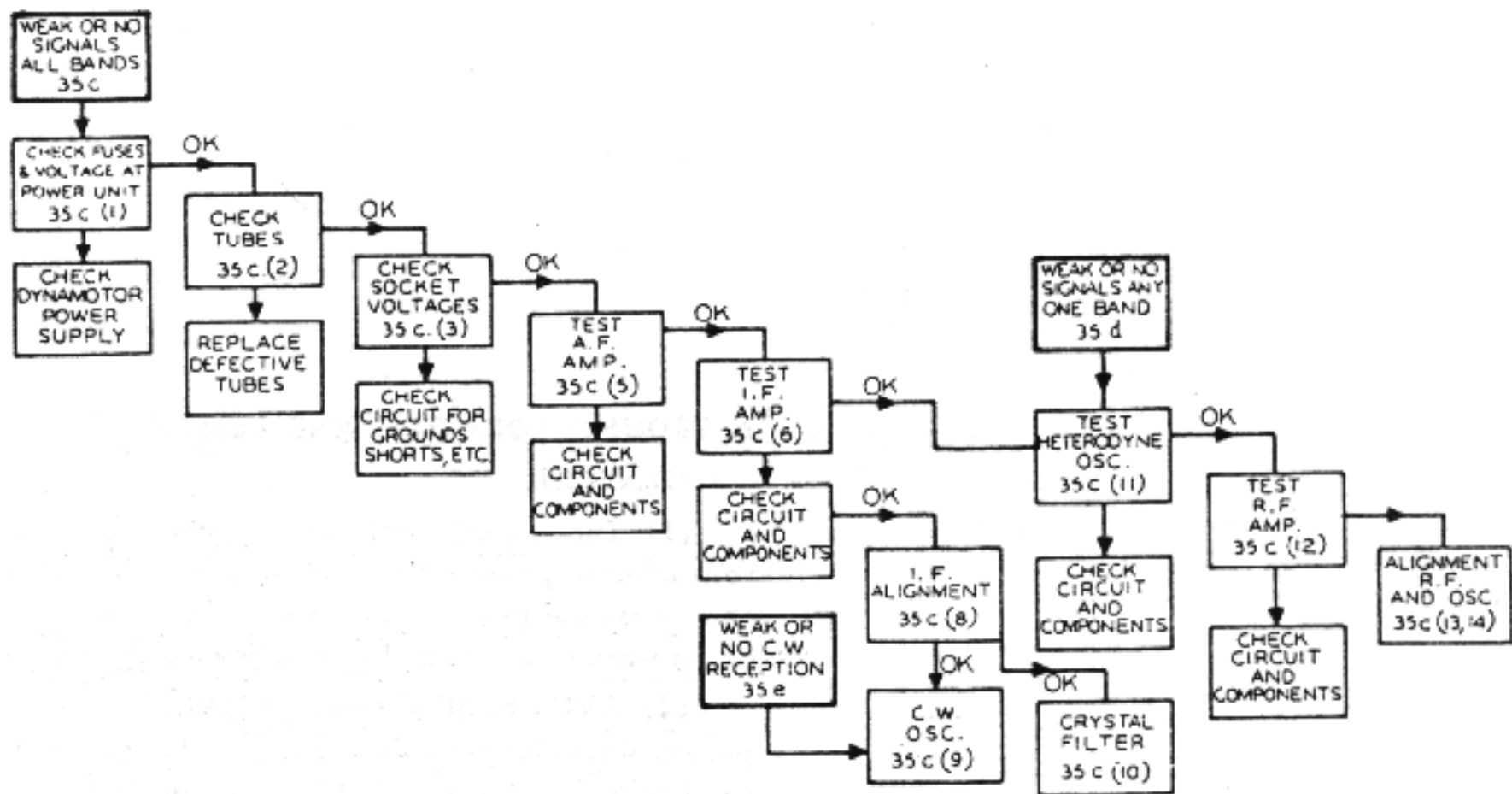
(1) Cannon Radio Receiver HC-114



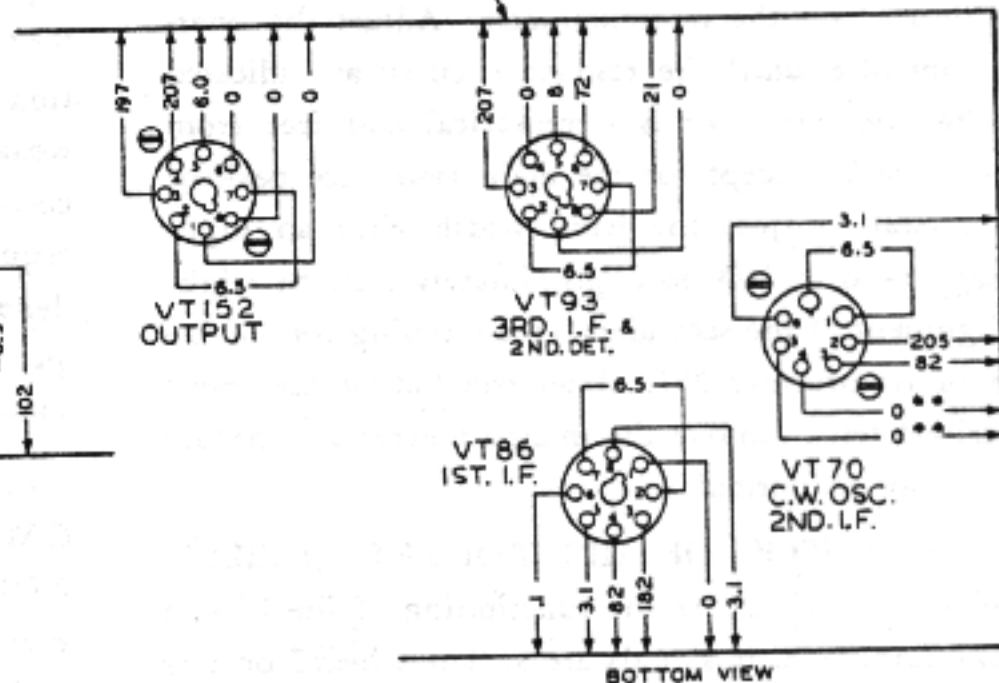
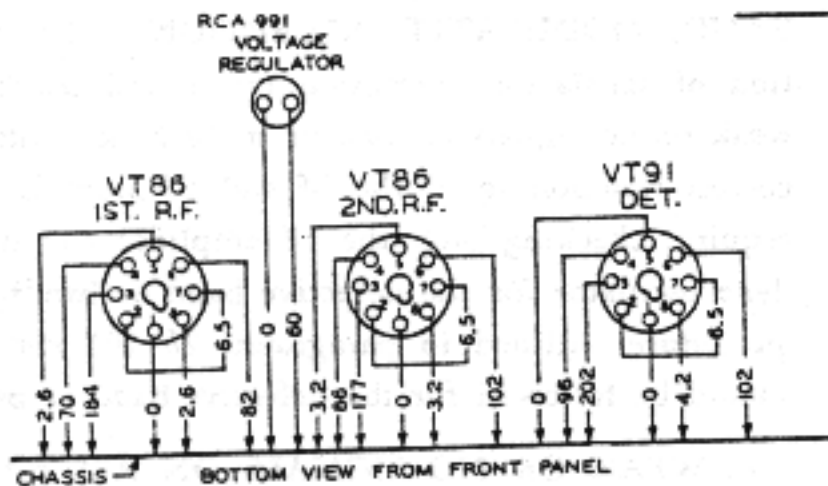
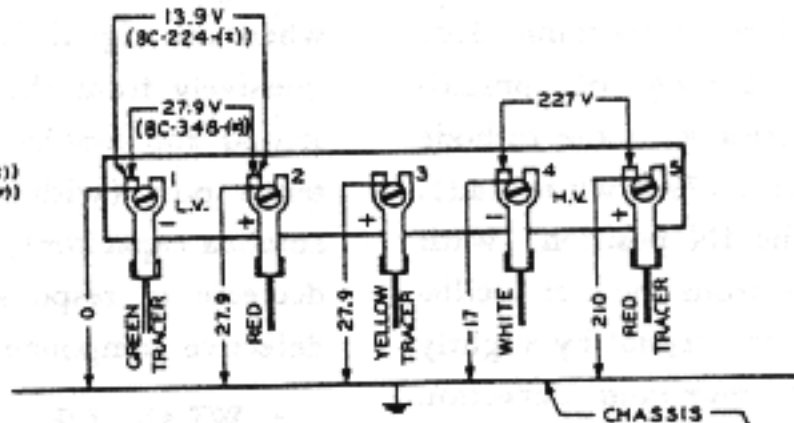


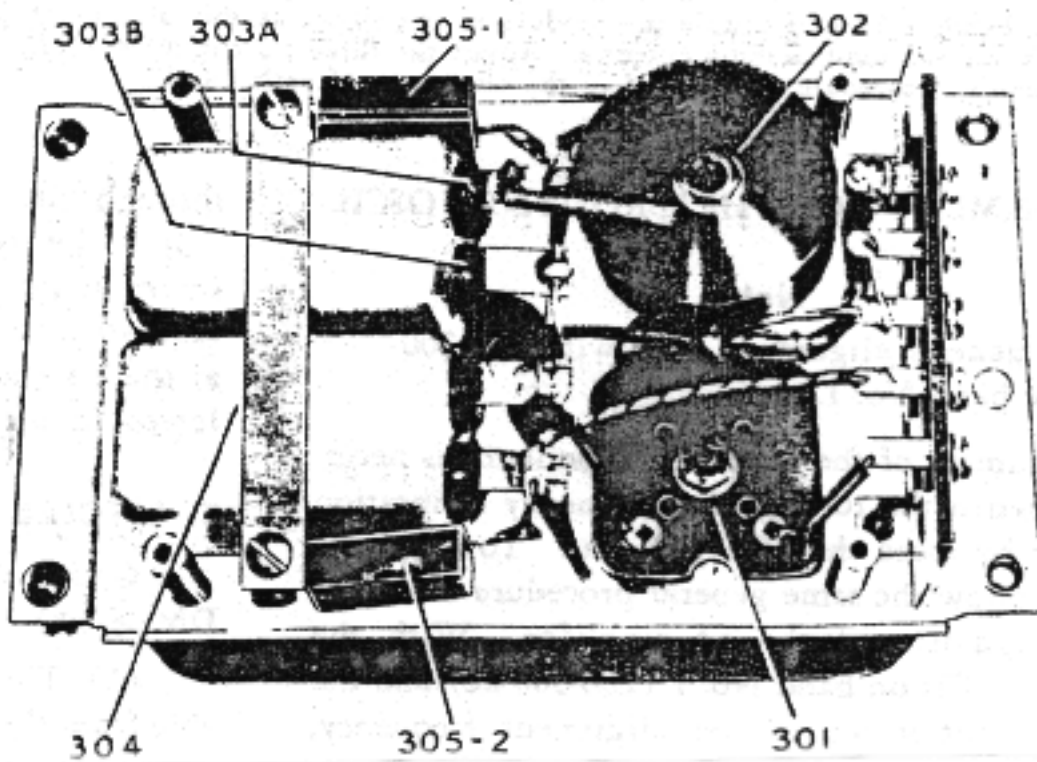
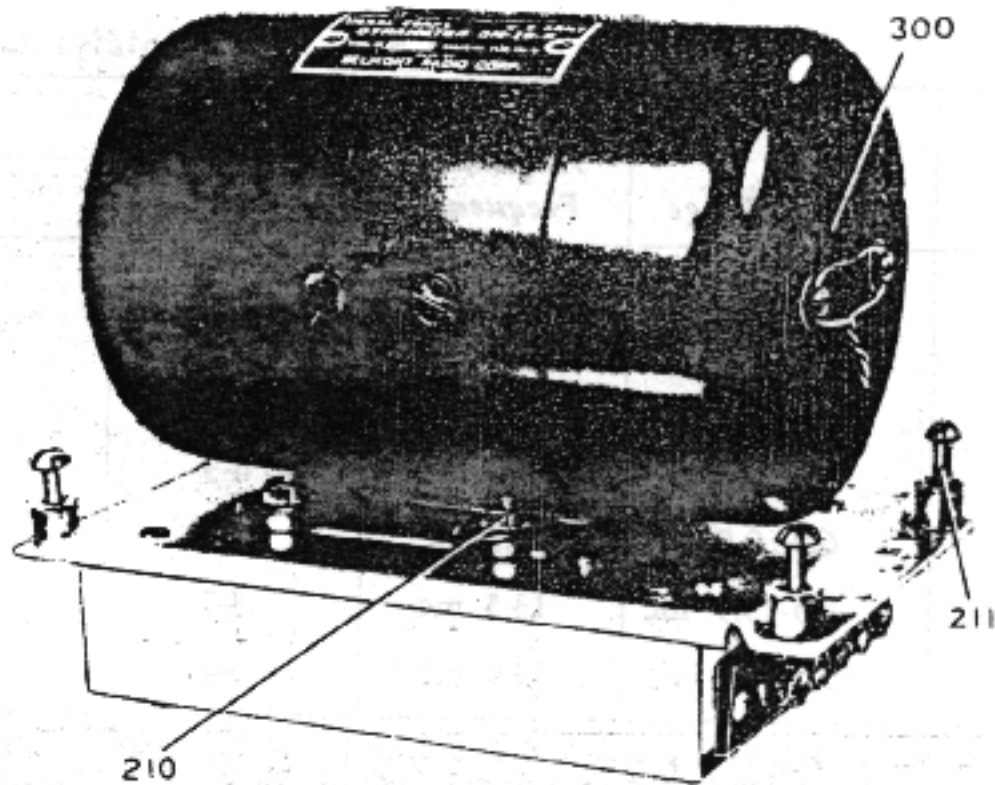
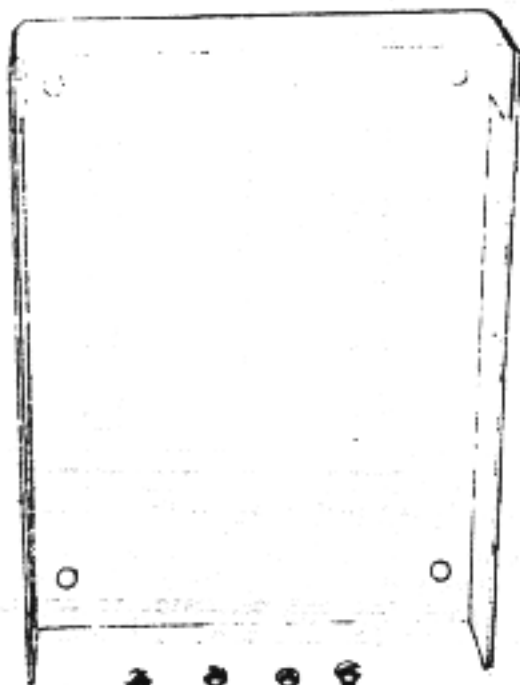






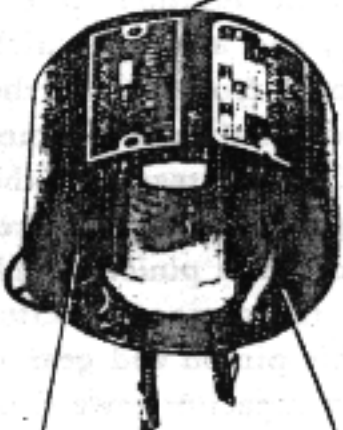
14 VOLT POWER SUPPLY (8C-224-(*)
 28 VOLT POWER SUPPLY (8C-348-(*)
 C.W. OSC. OFF * * *
 MAX. VOL. ON MVC
 RECEIVER TUNED TO LOW
 FREQ. END OF DIAL.





GOES ON THIS END

316



318

317

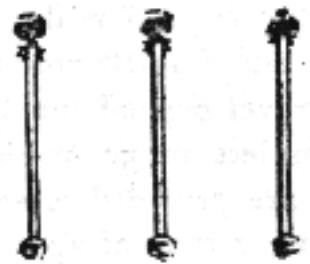


307

306



315



319

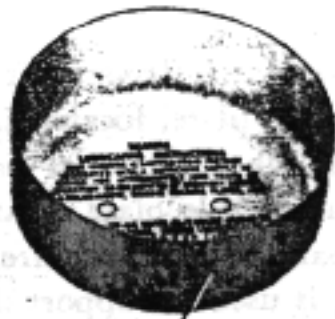


310

311

308

309



324



320



321

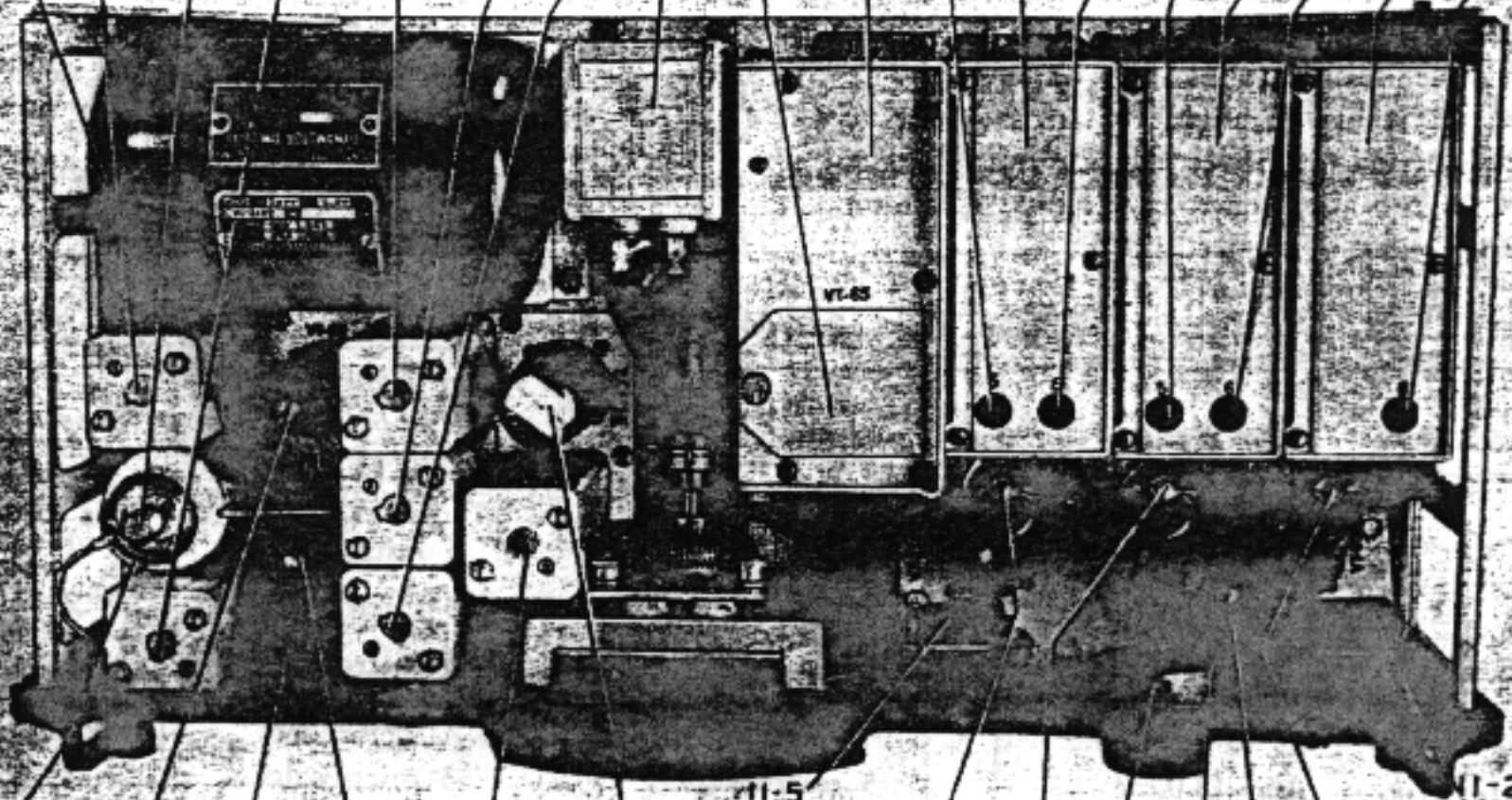


322

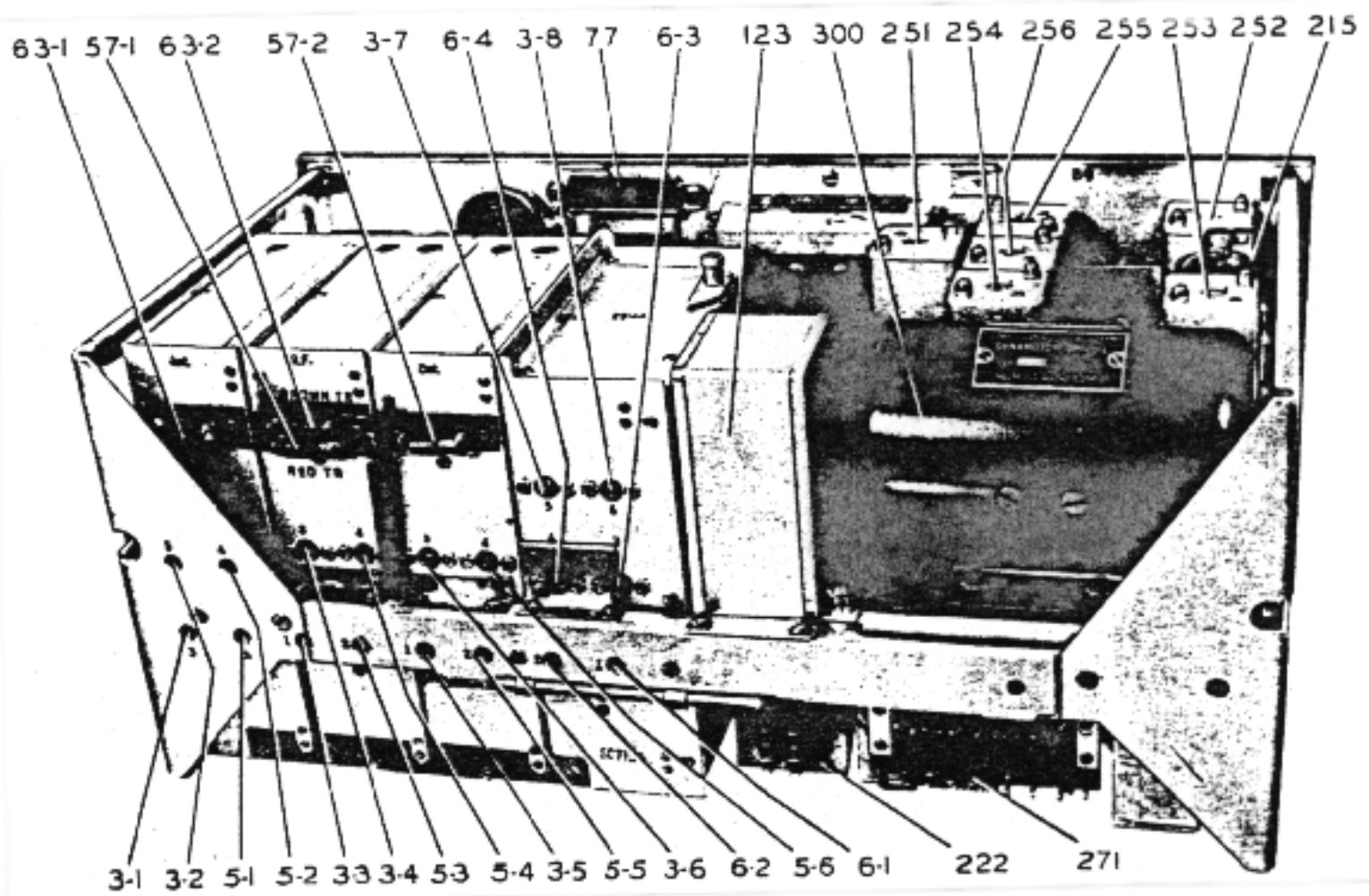


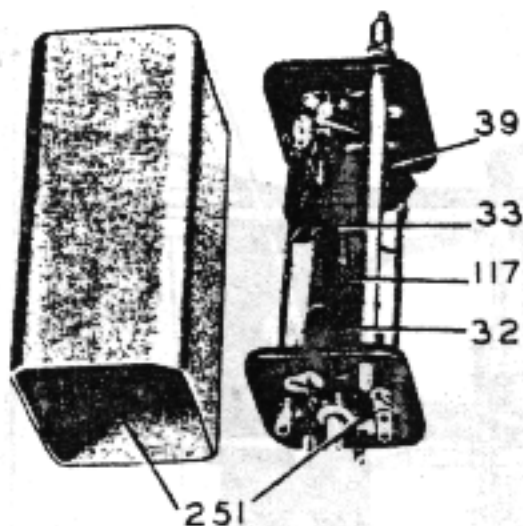
323

300 253 VT-70 252 254 256 255 123 VT-65 260 7-2 259 4-3 7-1 258 4-2 257 4-1

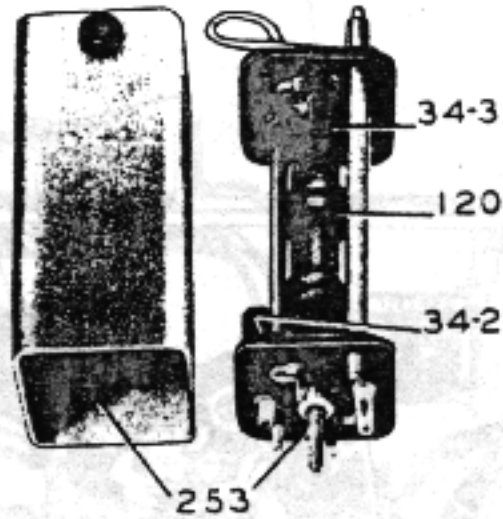


215 VT-93 128 VT-86 251 VT-152 11-5 11-4 11-17 VT-91 VT-86 80 125 218 VT-86 11-2 11-3 11-1

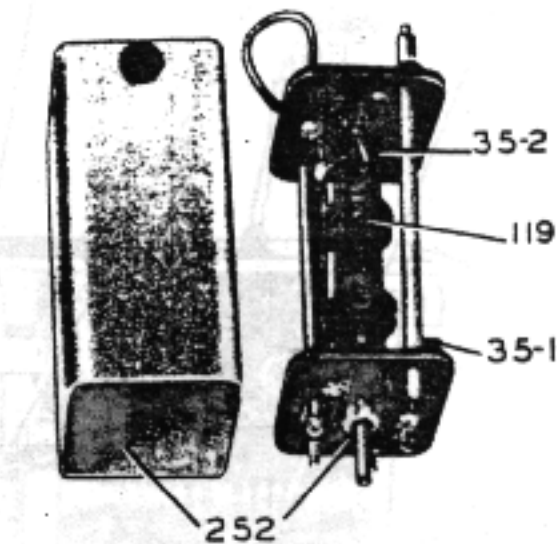




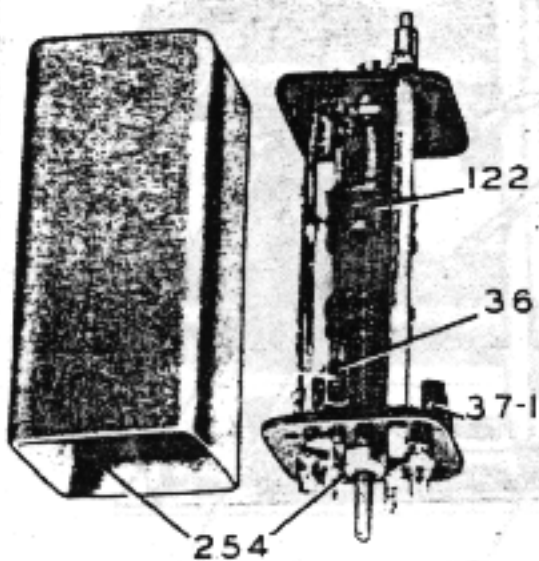
251
1ST I.F. TRANSFORMER
ASSEMBLY



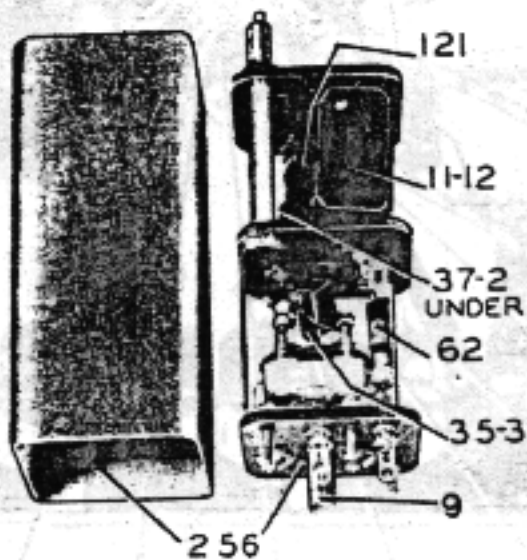
253
3RD I.F. TRANSFORMER
ASSEMBLY



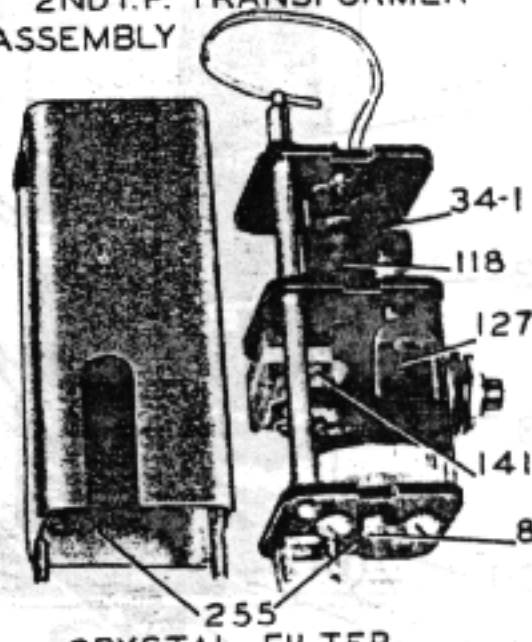
252
2ND I.F. TRANSFORMER
ASSEMBLY



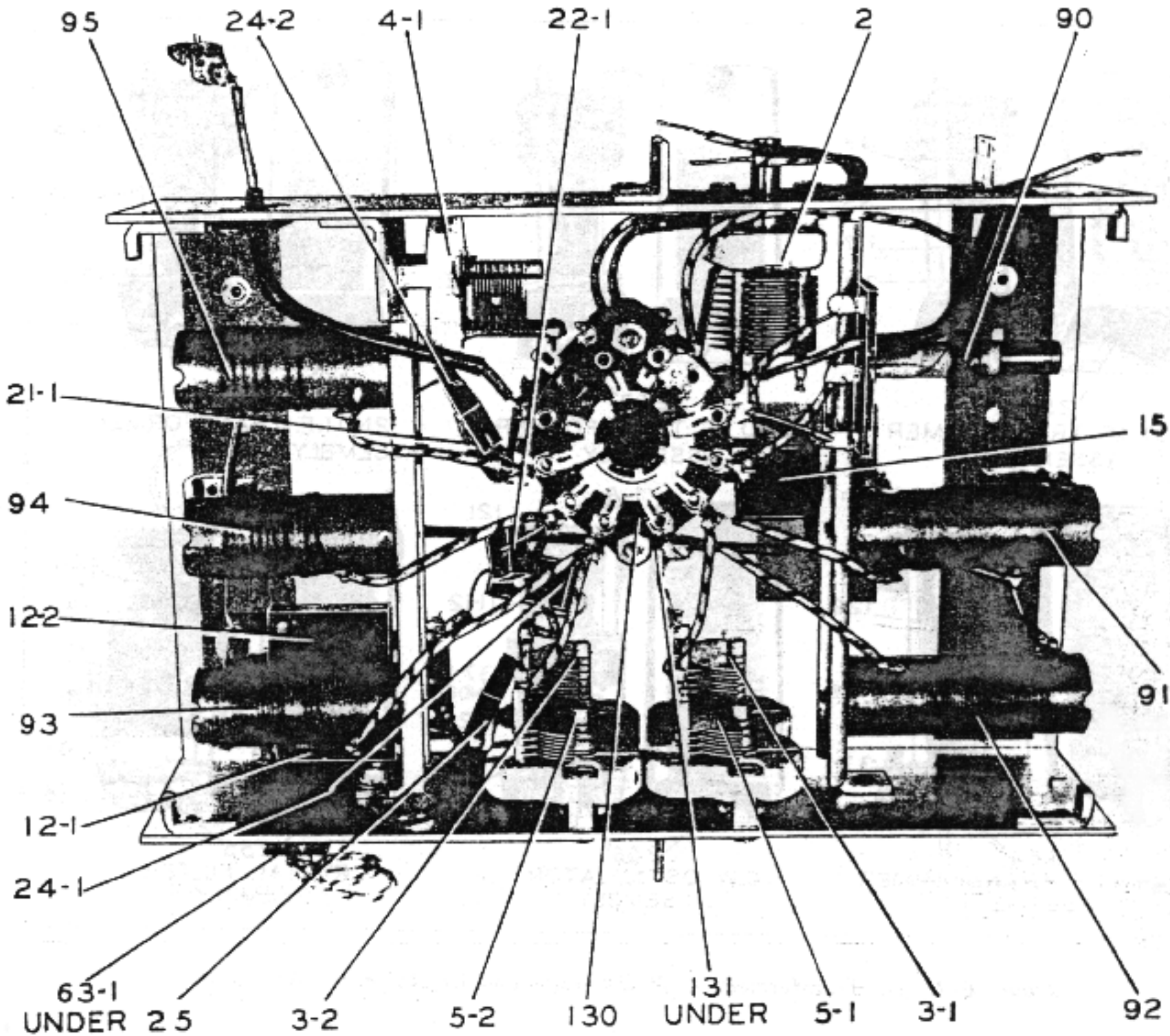
254
4TH I.F. TRANSFORMER
ASSEMBLY

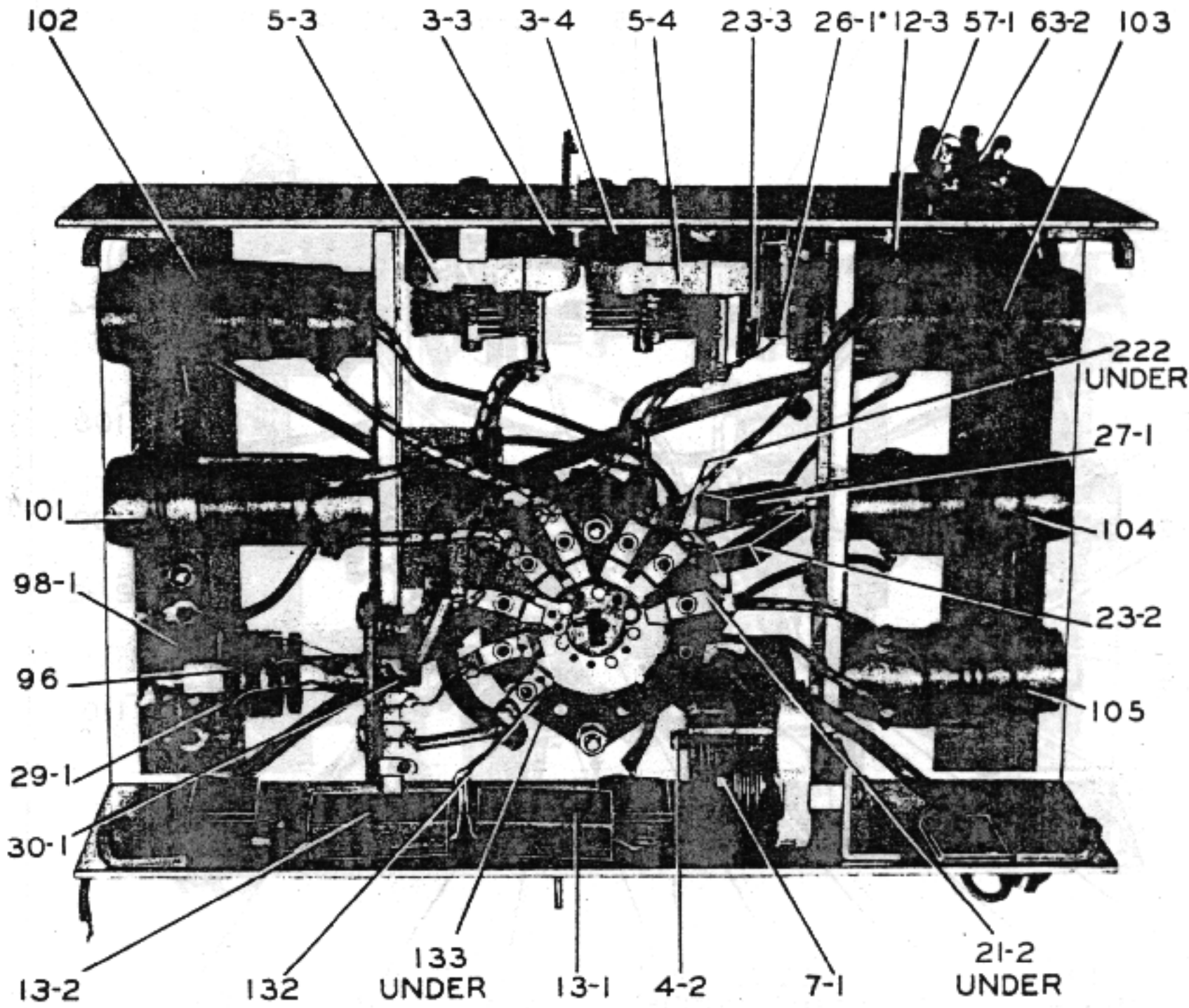


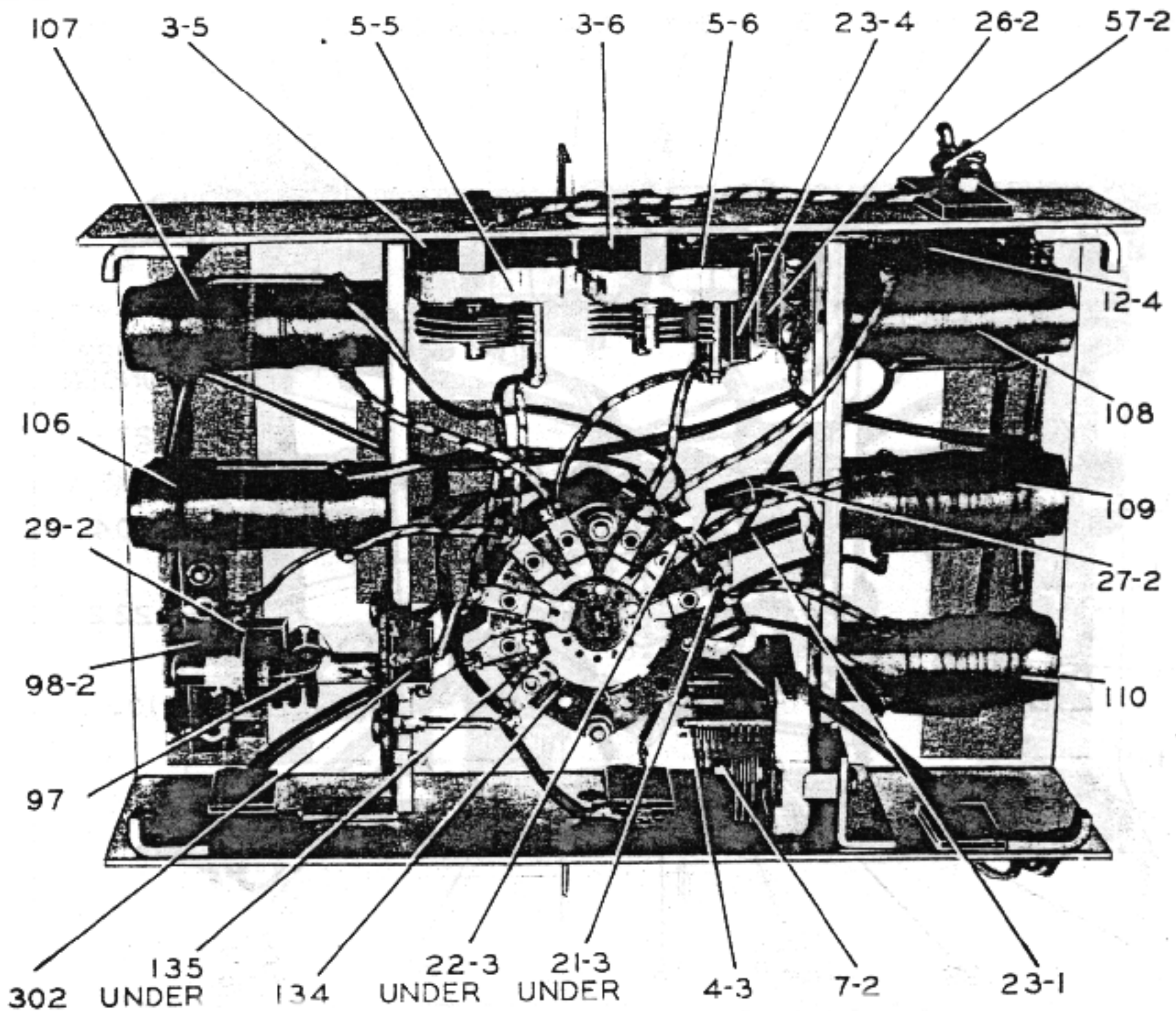
256
C.W. OSCILLATOR
ASSEMBLY

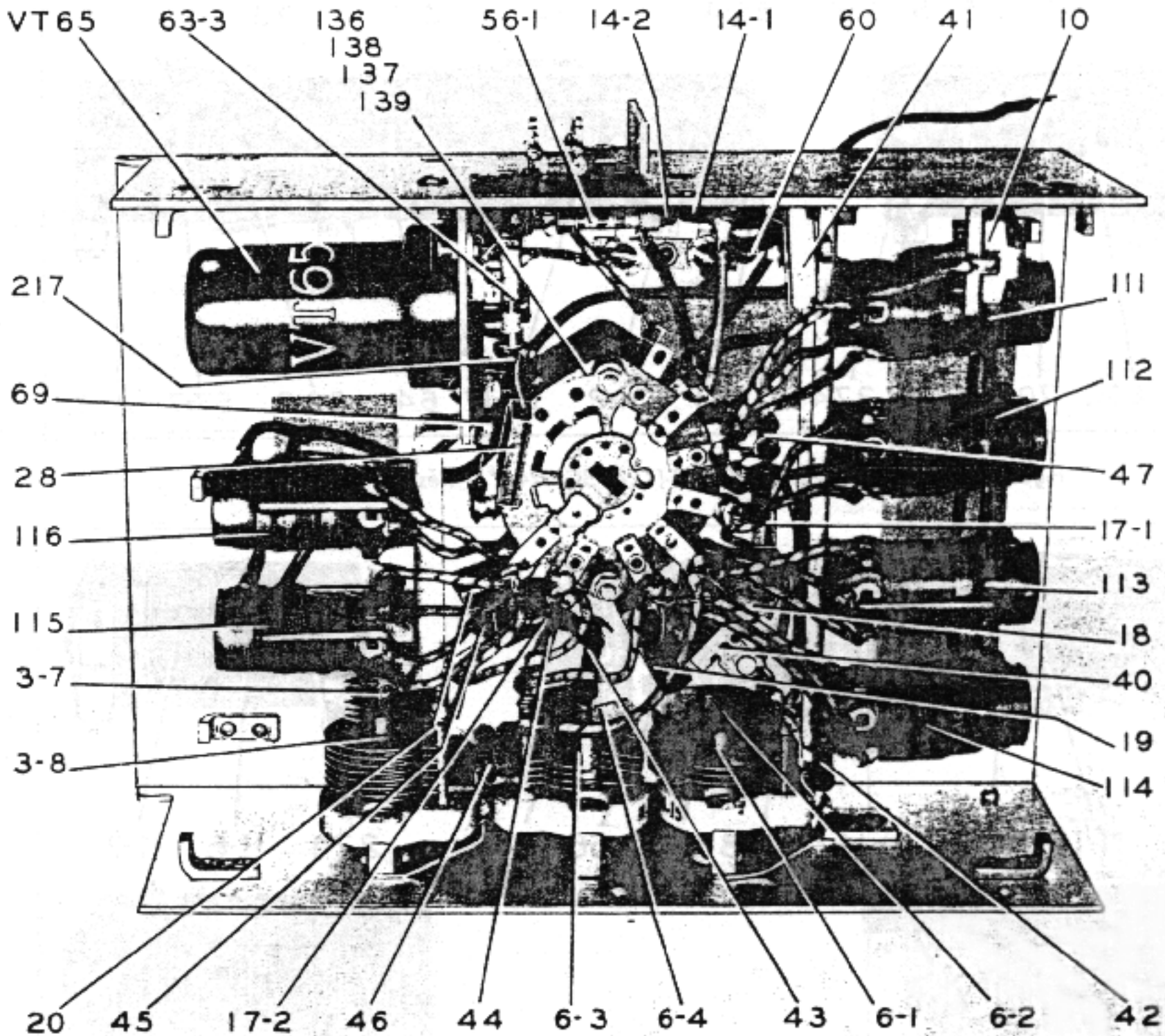


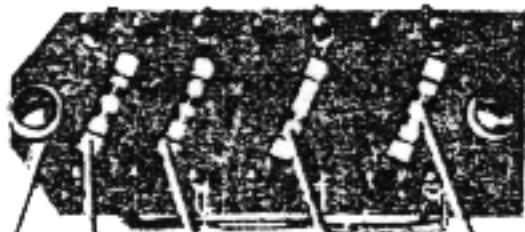
255
CRYSTAL FILTER
ASSEMBLY



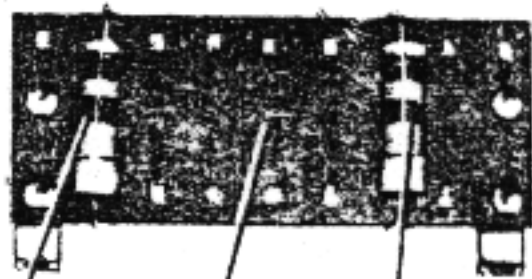






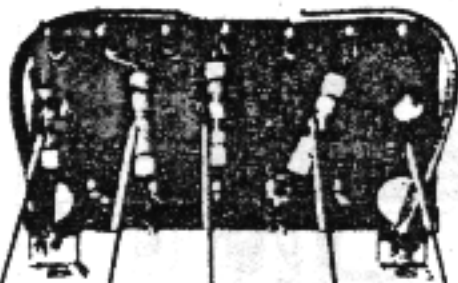


273 57-4 57-5 65-3 55-4

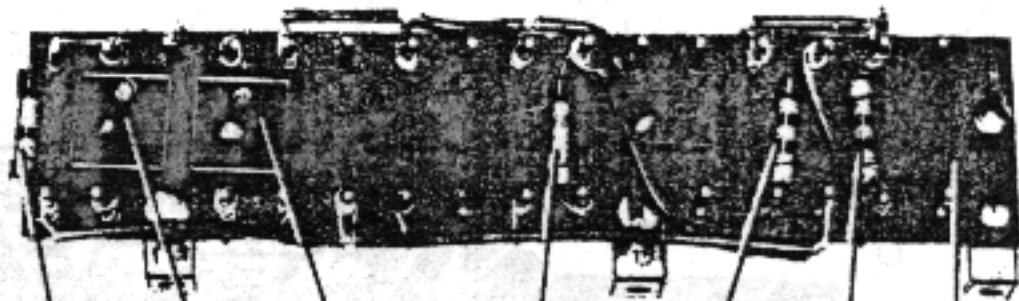


Downloaded by
RadioAmateur.EU

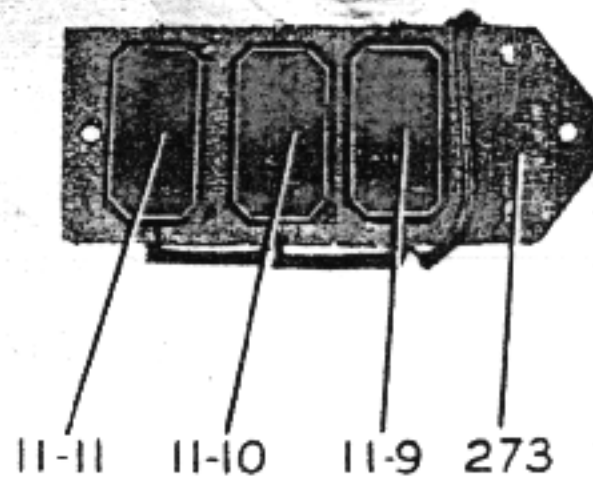
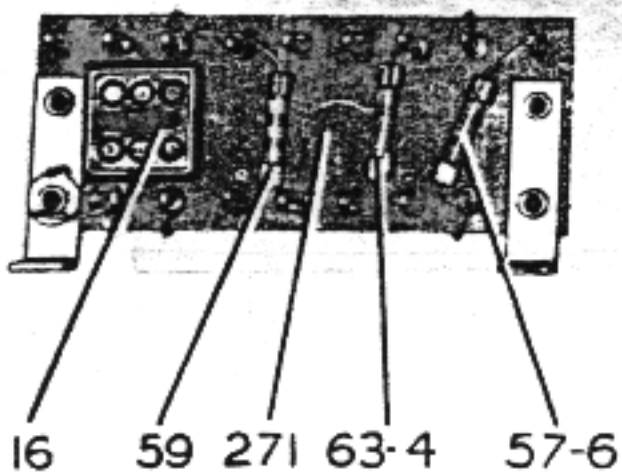
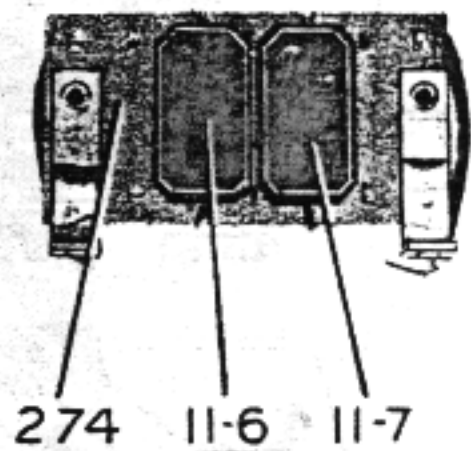
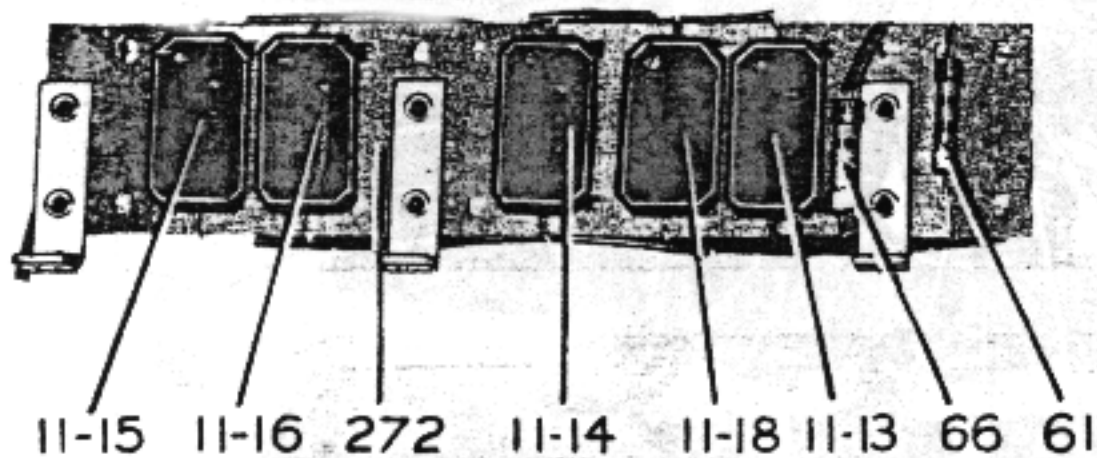
74 271 75



58-4 65-2 70 57-3 274



73 31-2 31-1 64 56-2 57-7 272



VT70 219 71 129 65-4 79 217 VT86 8 55-3 11-8 219 I-D FC FB FA

124-1
124-2

273

67

217

VT93

272

38

49-3

48-3

49-2

49-4

100

76

271

49-1

35-4

48-1

48-2

VT152

222

274

140

216

10

65-1

78

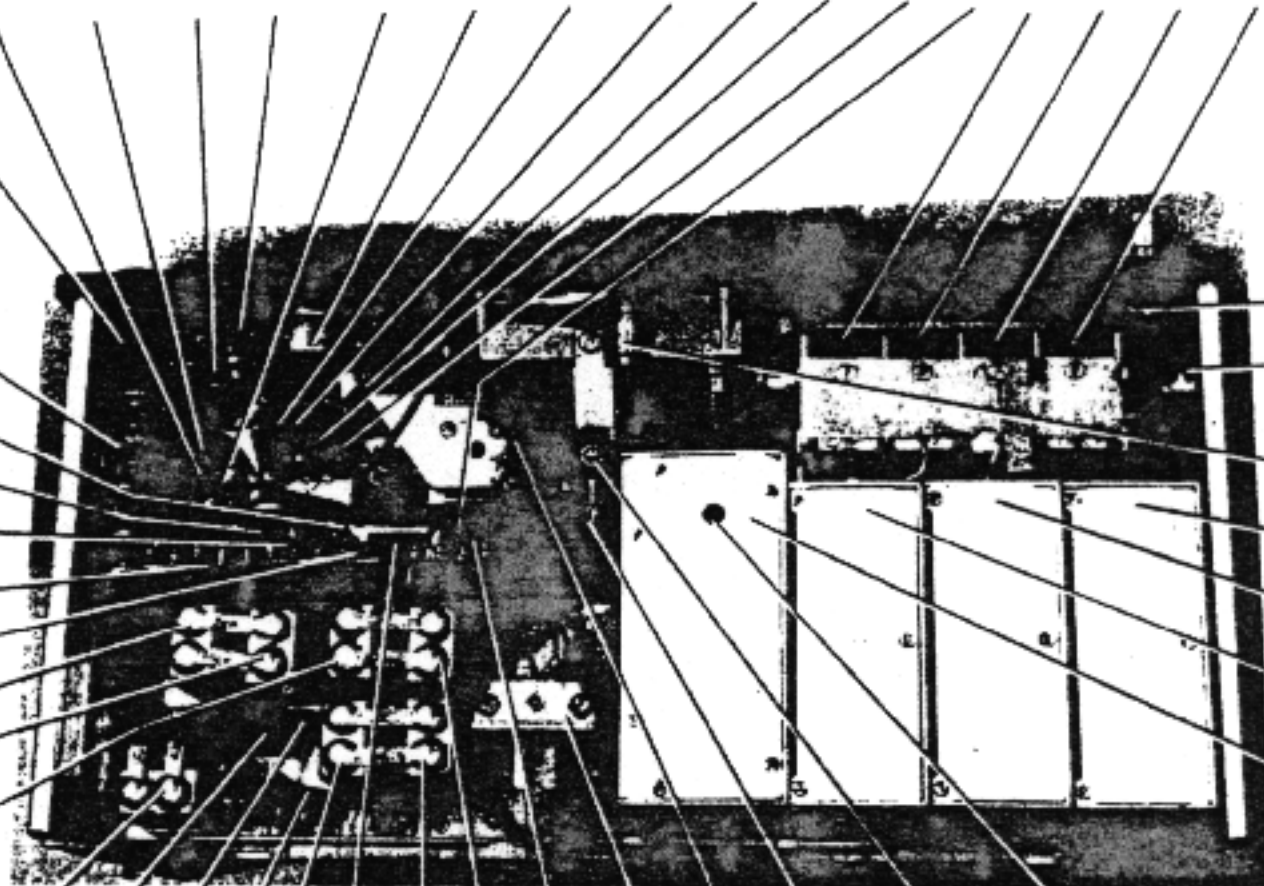
276

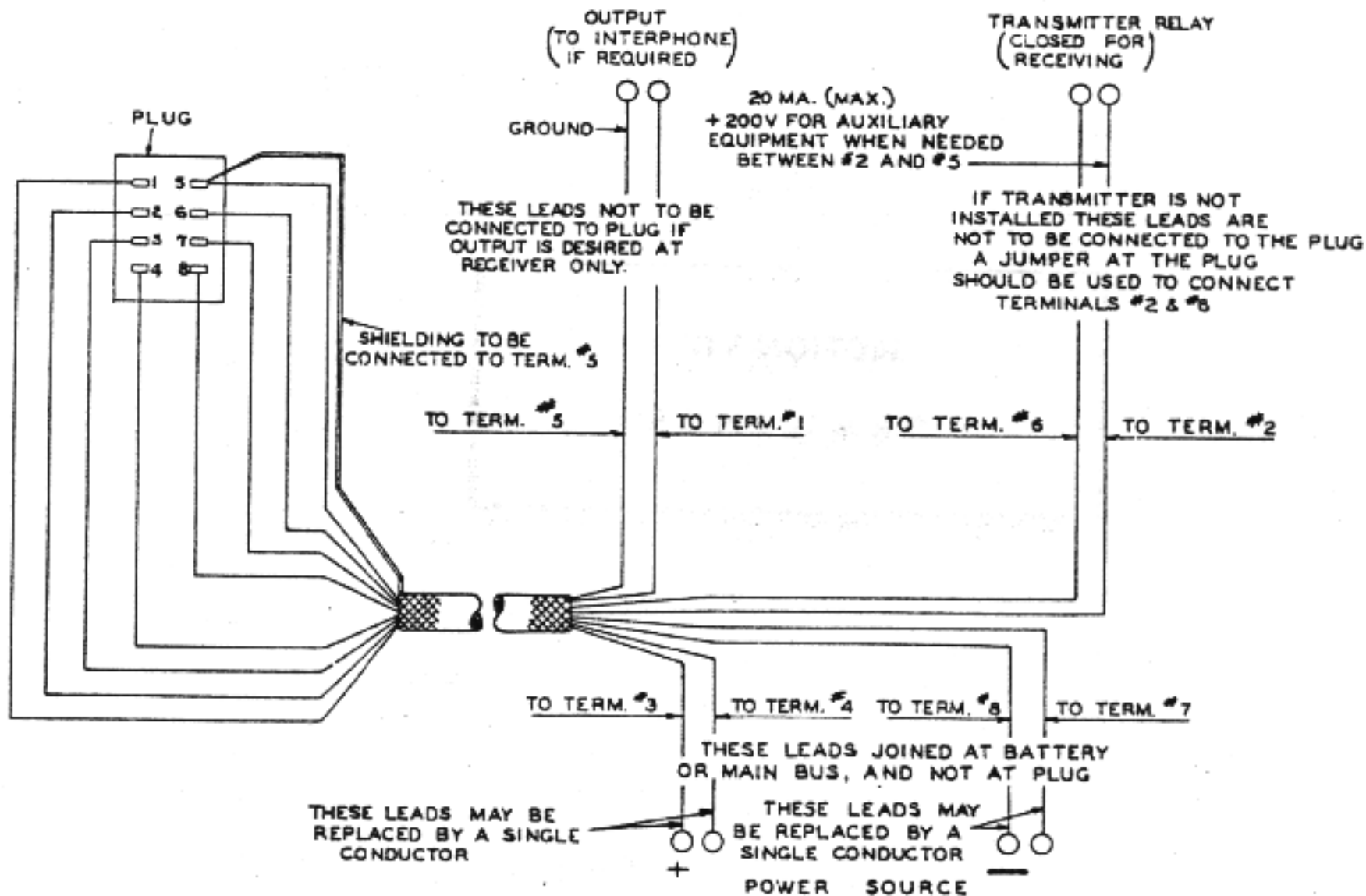
257

258

259

260

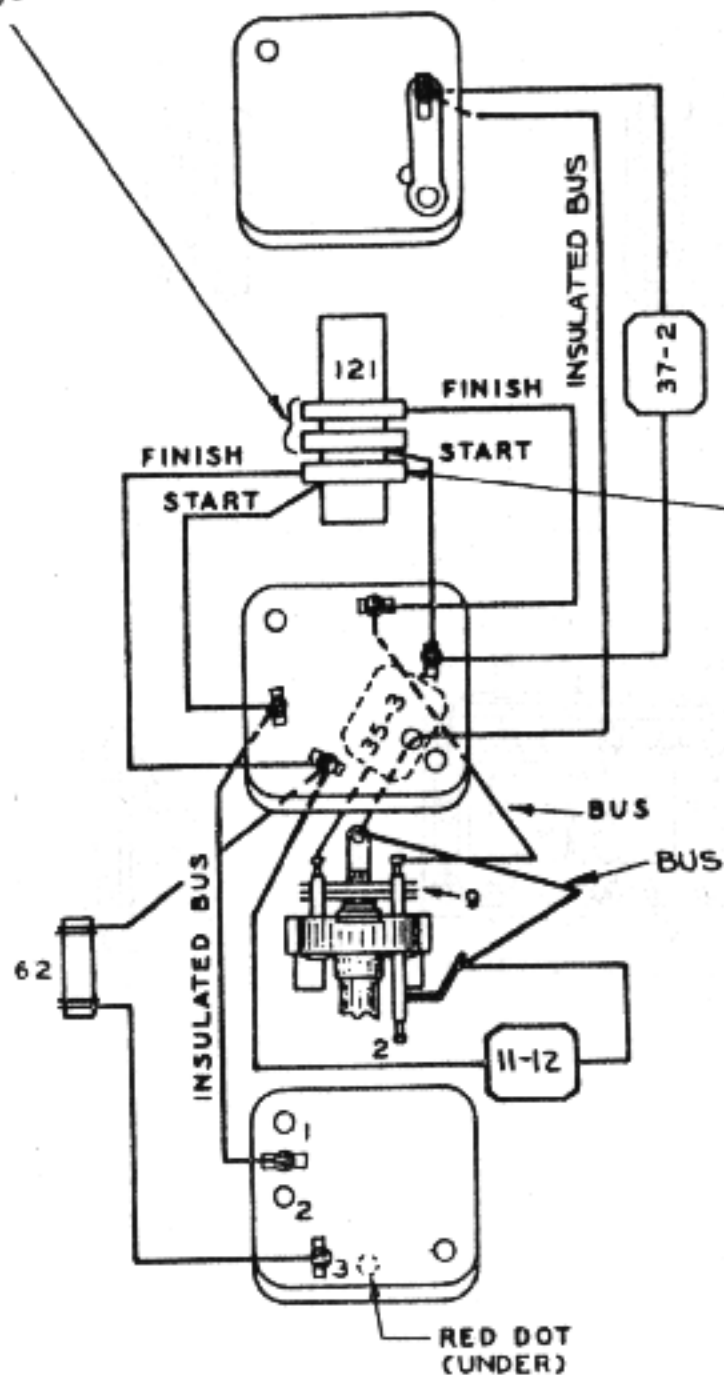
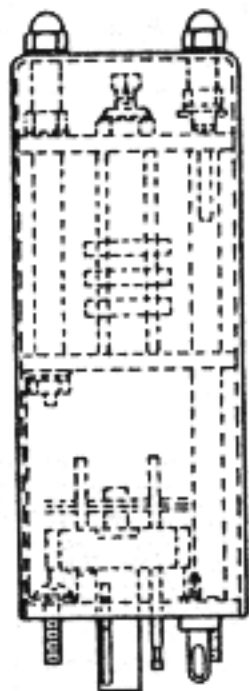




$Q = 103 \pm 20\%$ 1000 KC (IN AIR)

$L = 66 \mu h \pm 2\%$

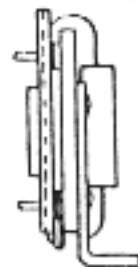
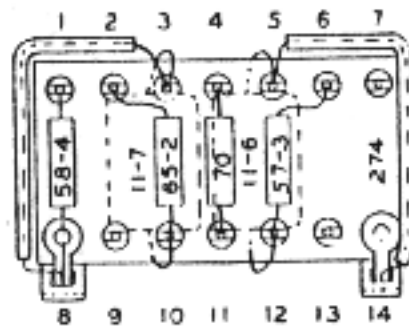
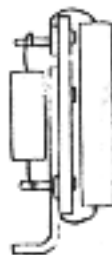
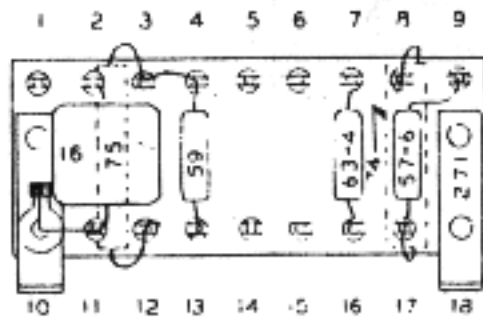
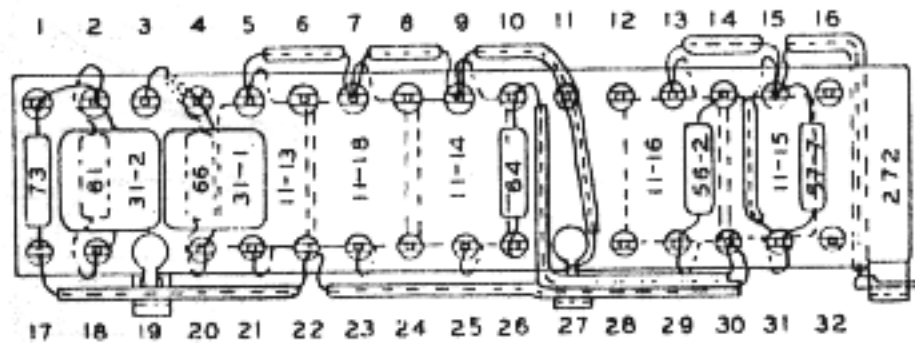
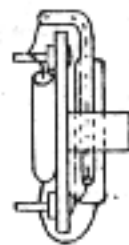
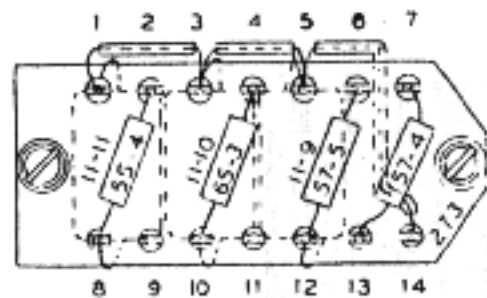
$R = 2 \Omega \pm 25\%$

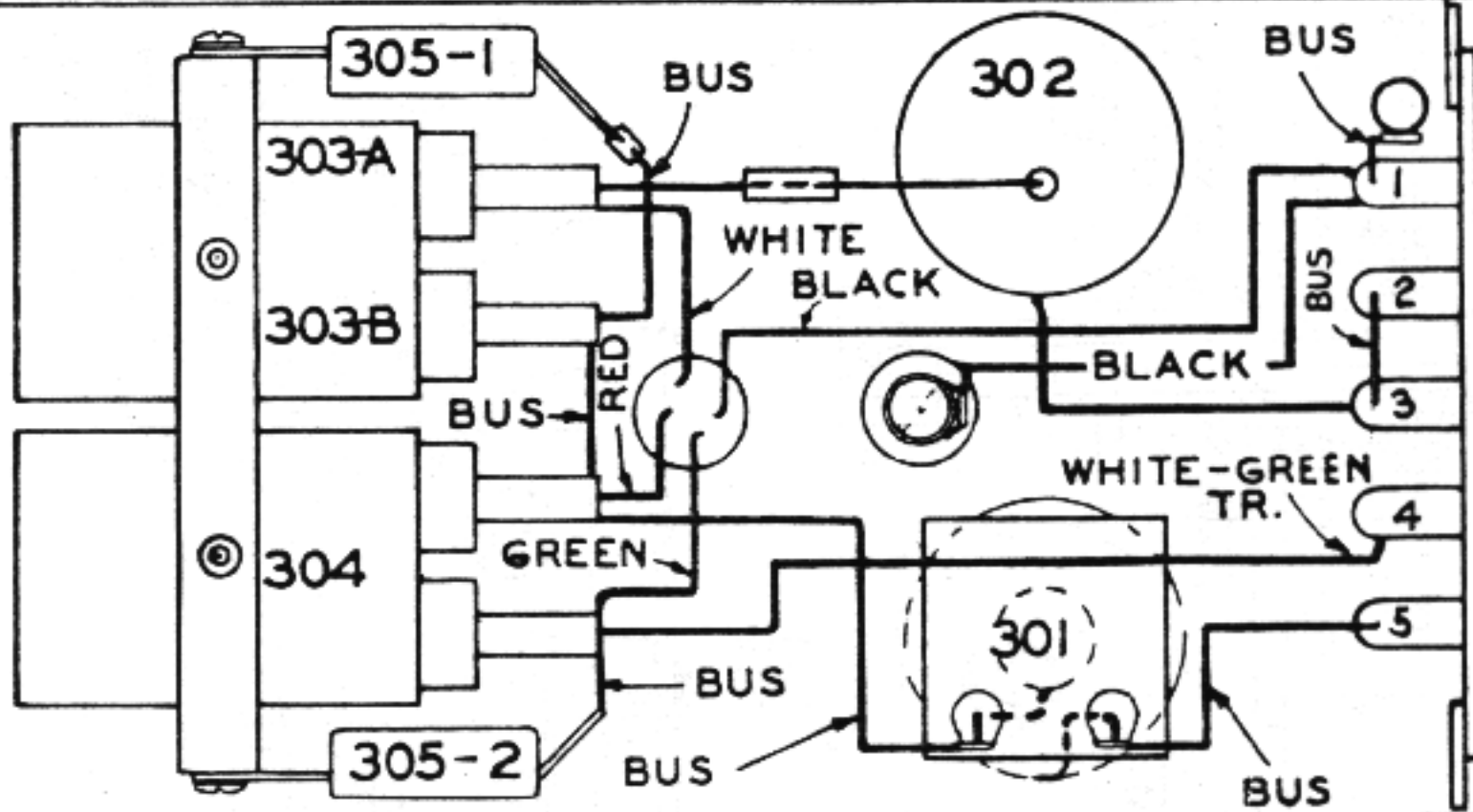


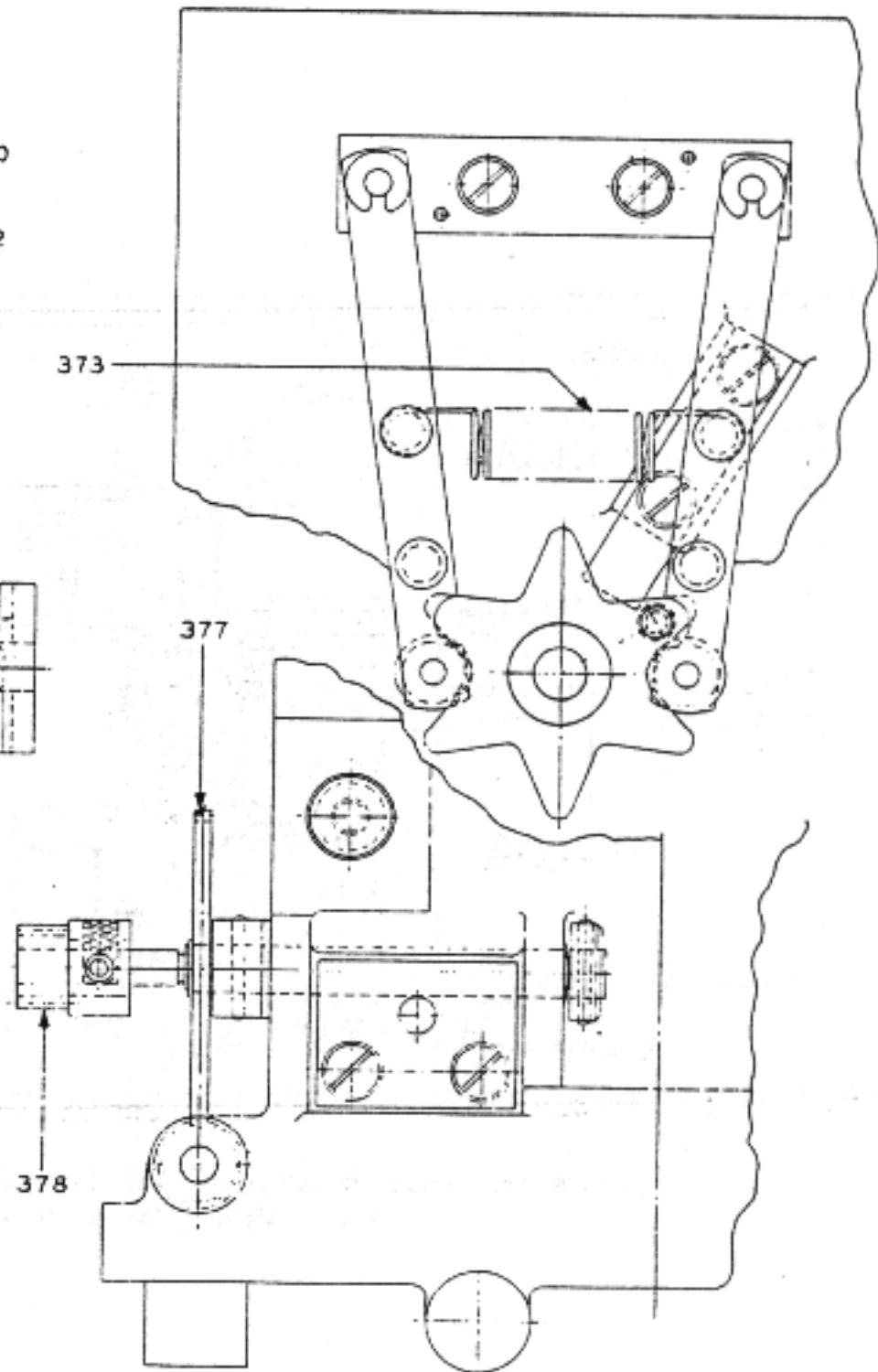
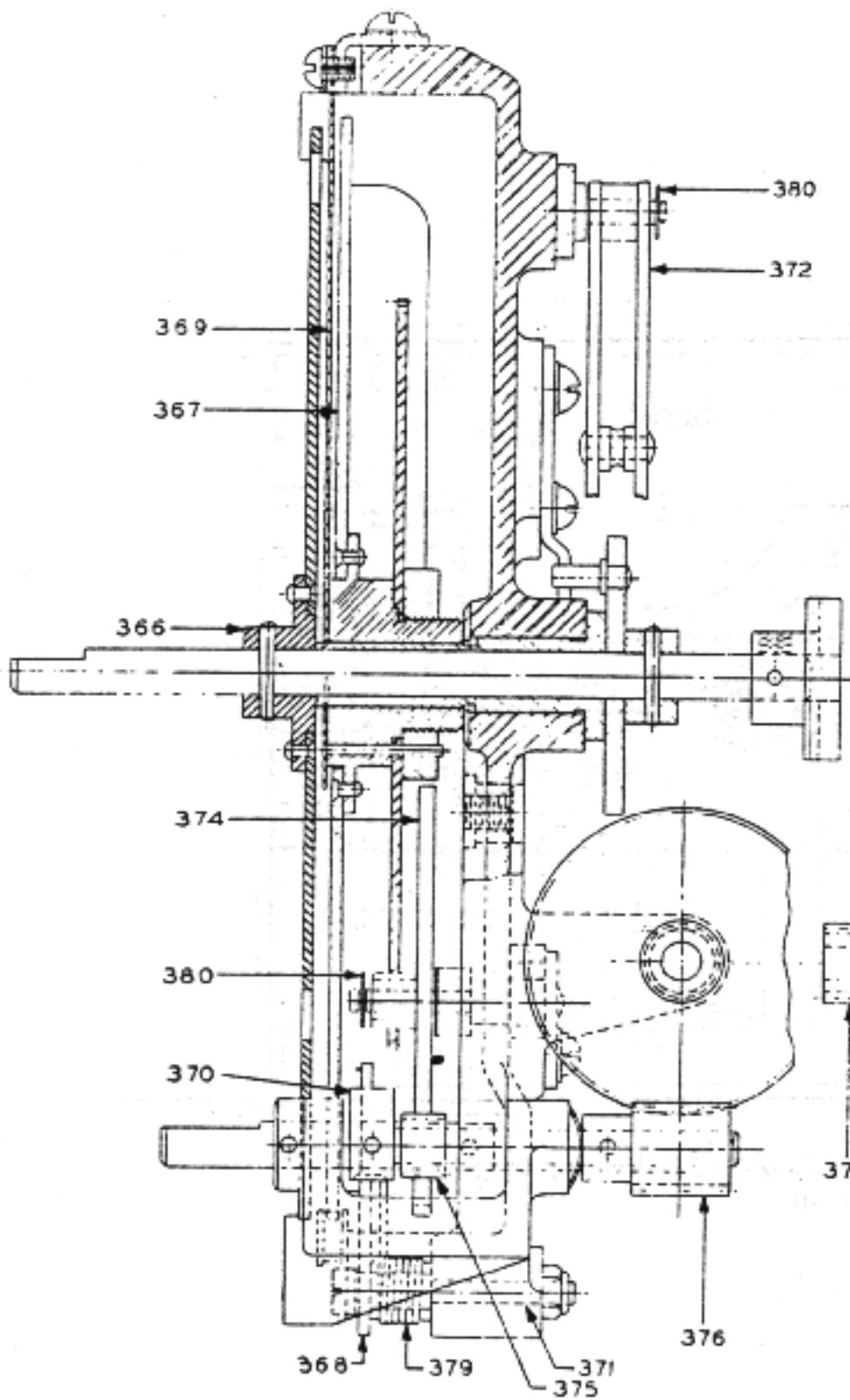
$Q = 62 \pm 20\%$ @ 2500 KC (IN AIR)

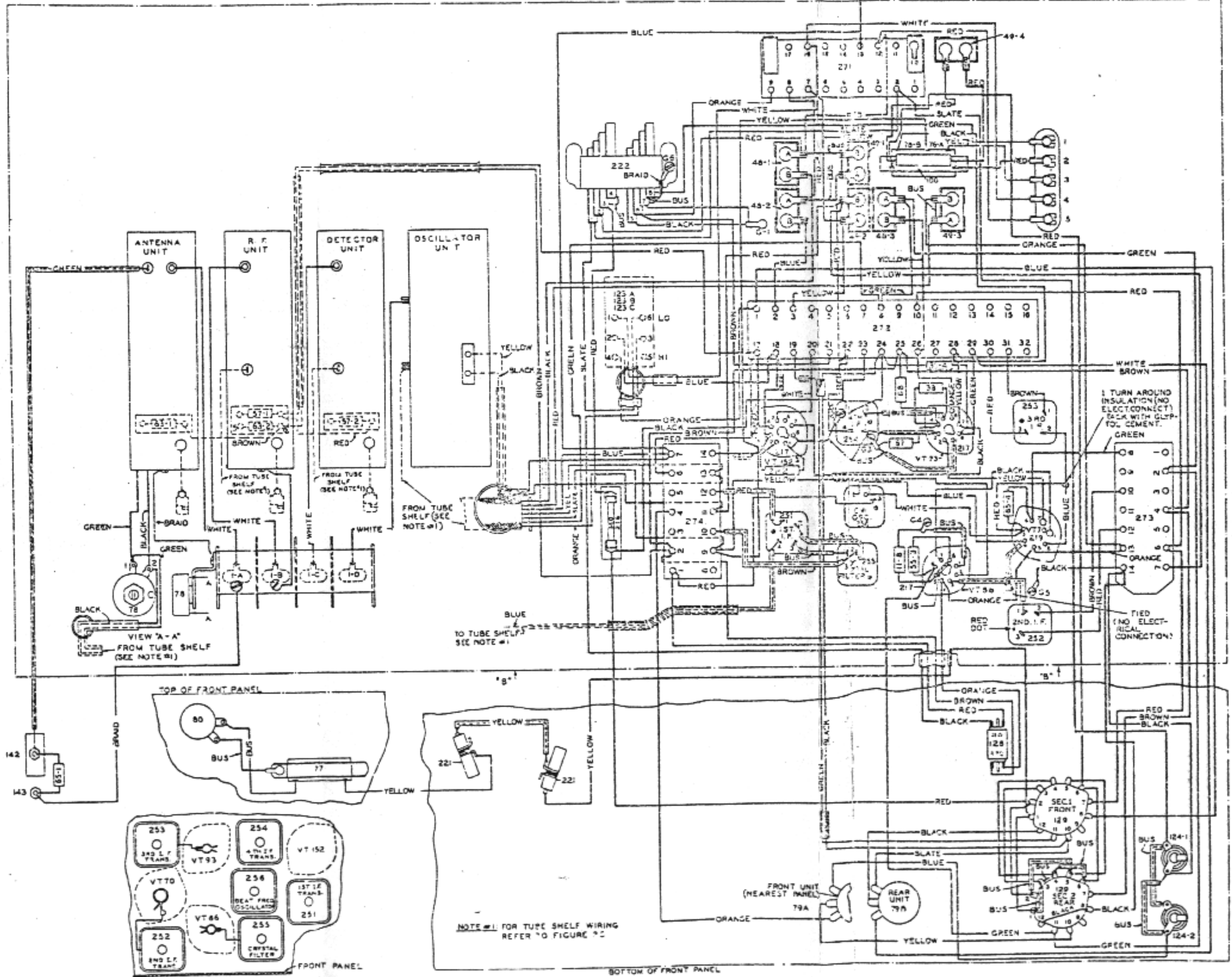
$L = 35 \mu h \pm 2\%$

$R = 1.25 \Omega \pm 20\%$



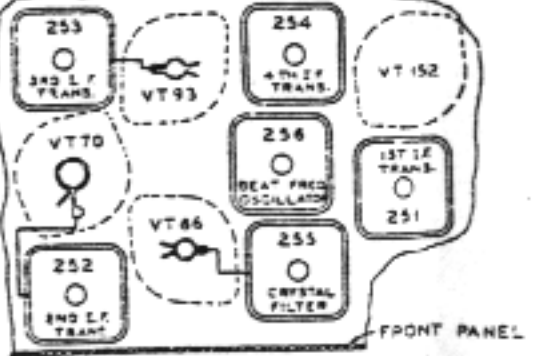






ANTENNA UNIT R. F. UNIT DETECTOR UNIT OSCILLATOR UNIT

TOP OF FRONT PANEL



NOTE #1: FOR TUBE SHELF WIRING REFER TO FIGURE #2

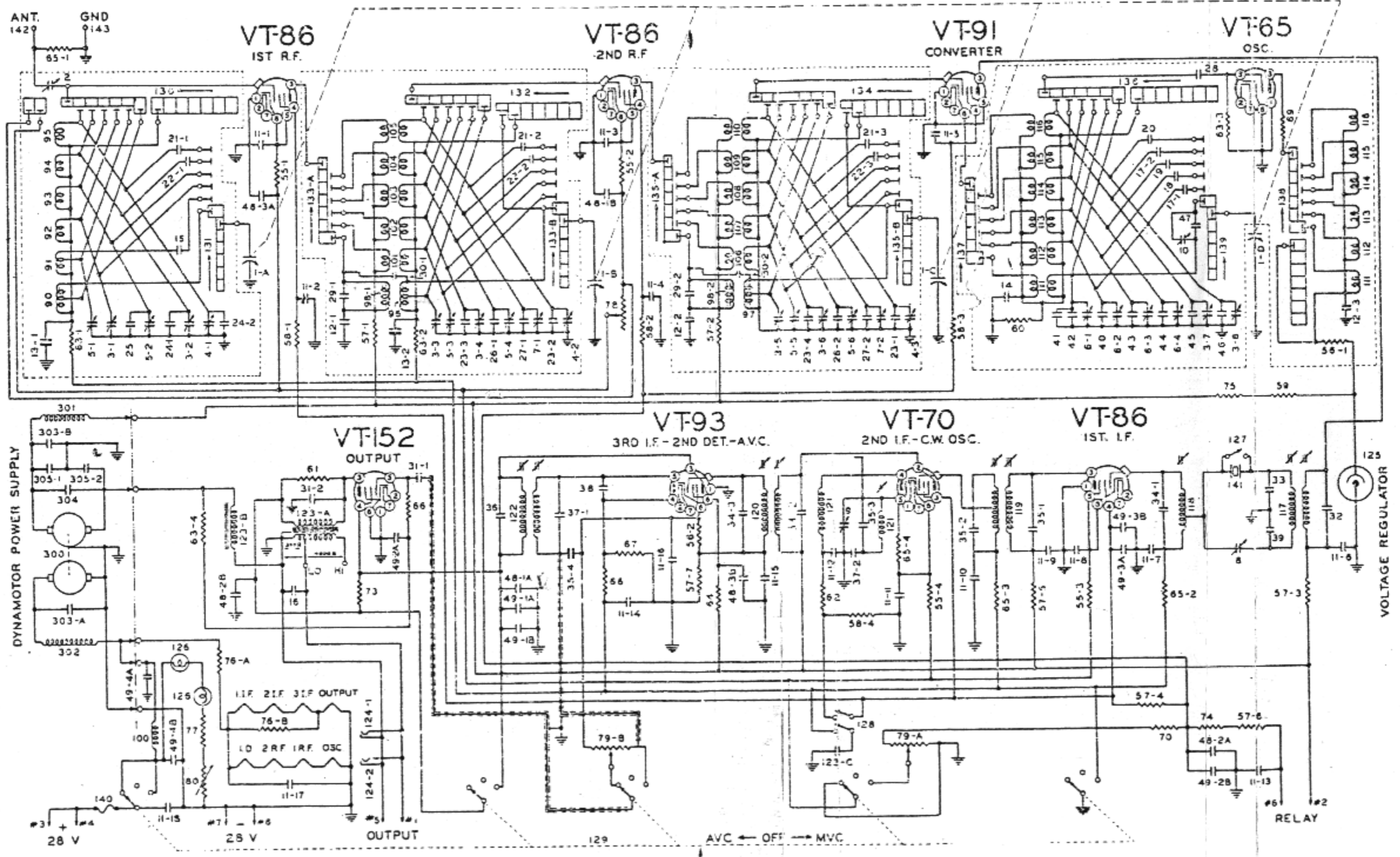
BOTTOM OF FRONT PANEL

FRONT UNIT (NEAREST INANEL)

REAR UNIT

1 TURN AROUND INSULATION (NO ELECT. CONNECT) BACK WITH GLT TO CEMENT.

TIED (NO ELECTRICAL CONNECTION)



DYNAMOTOR POWER SUPPLY

VOLTAGE REGULATOR

28 V

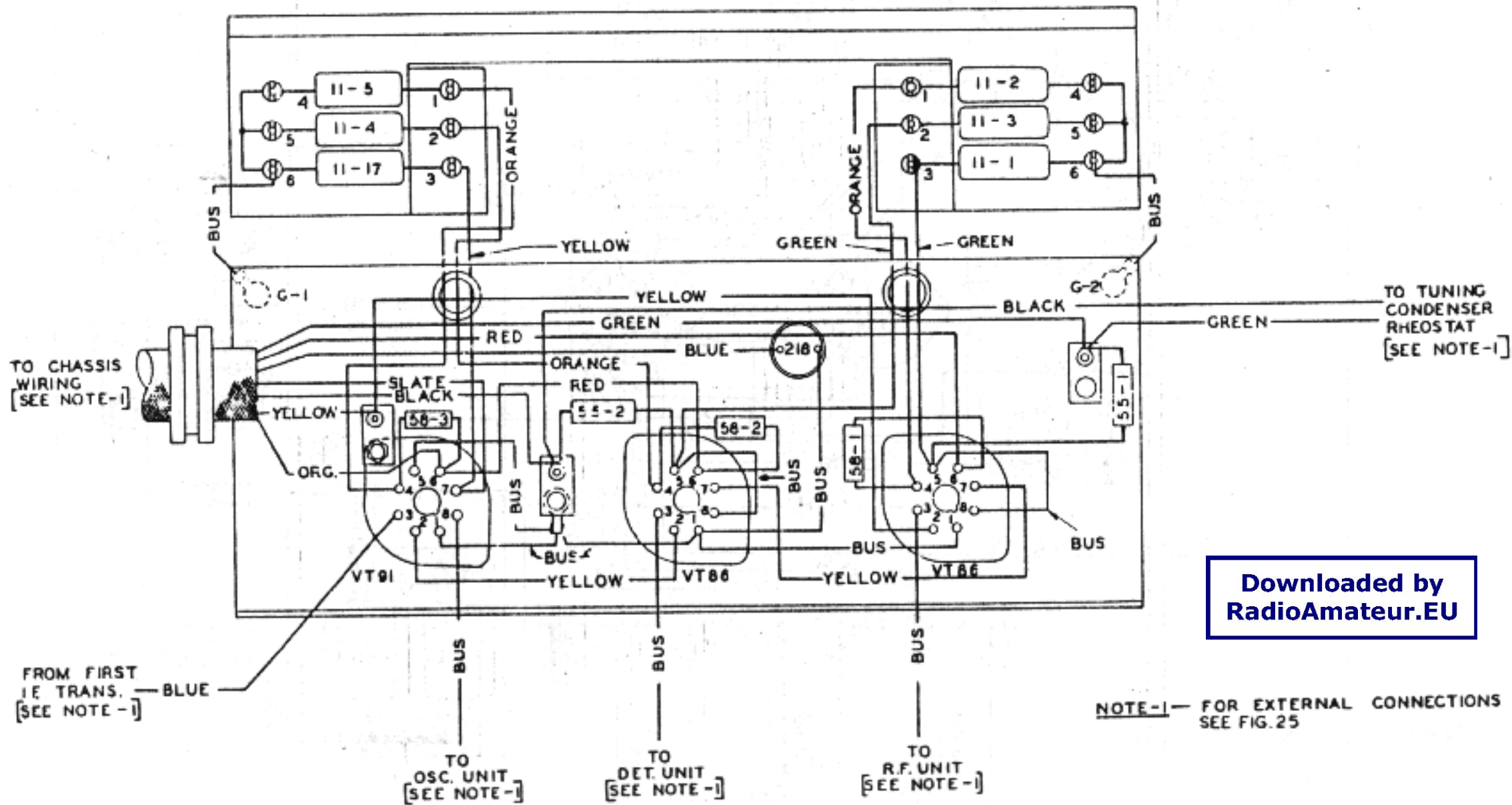
28 V

OUTPUT

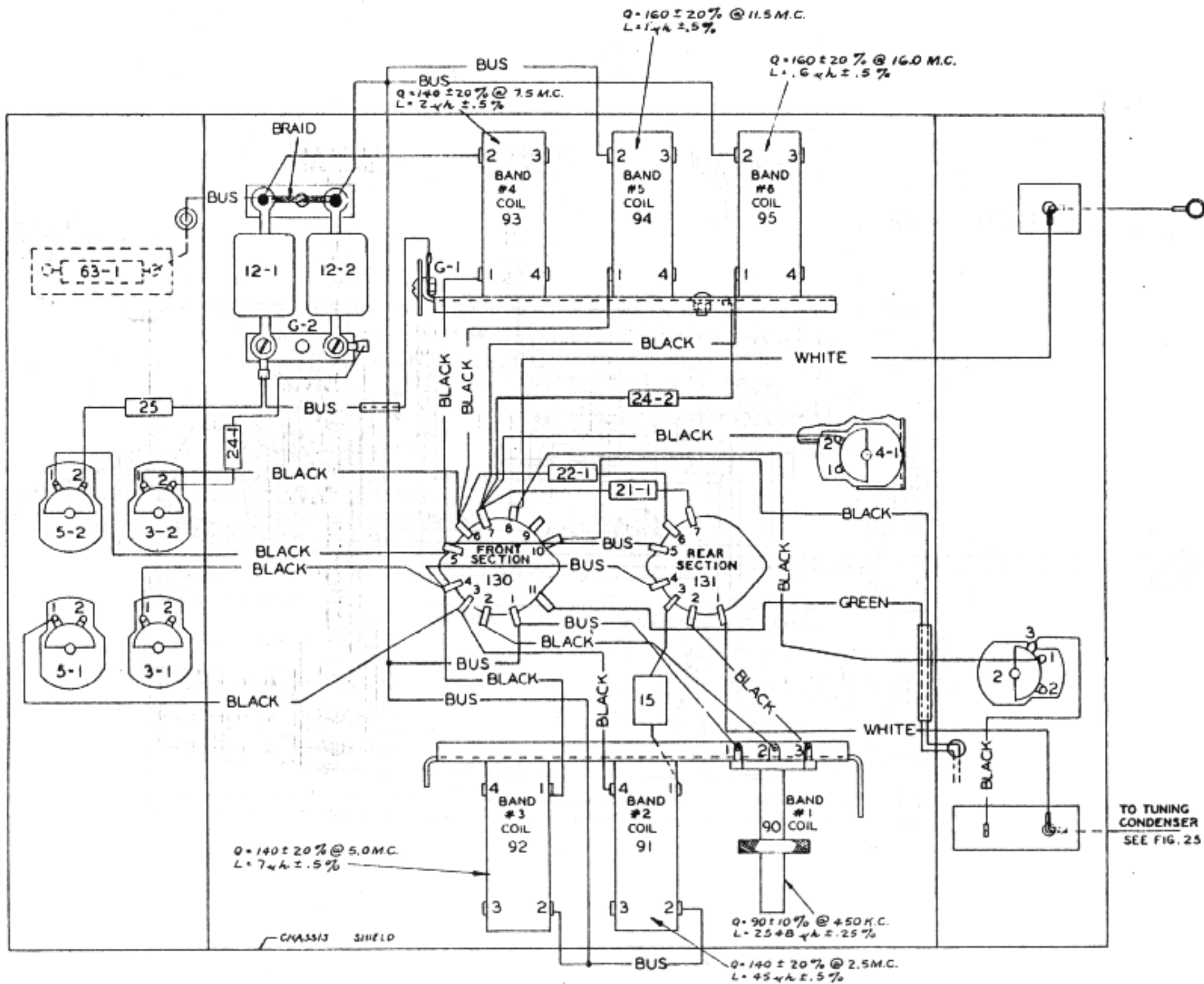
129

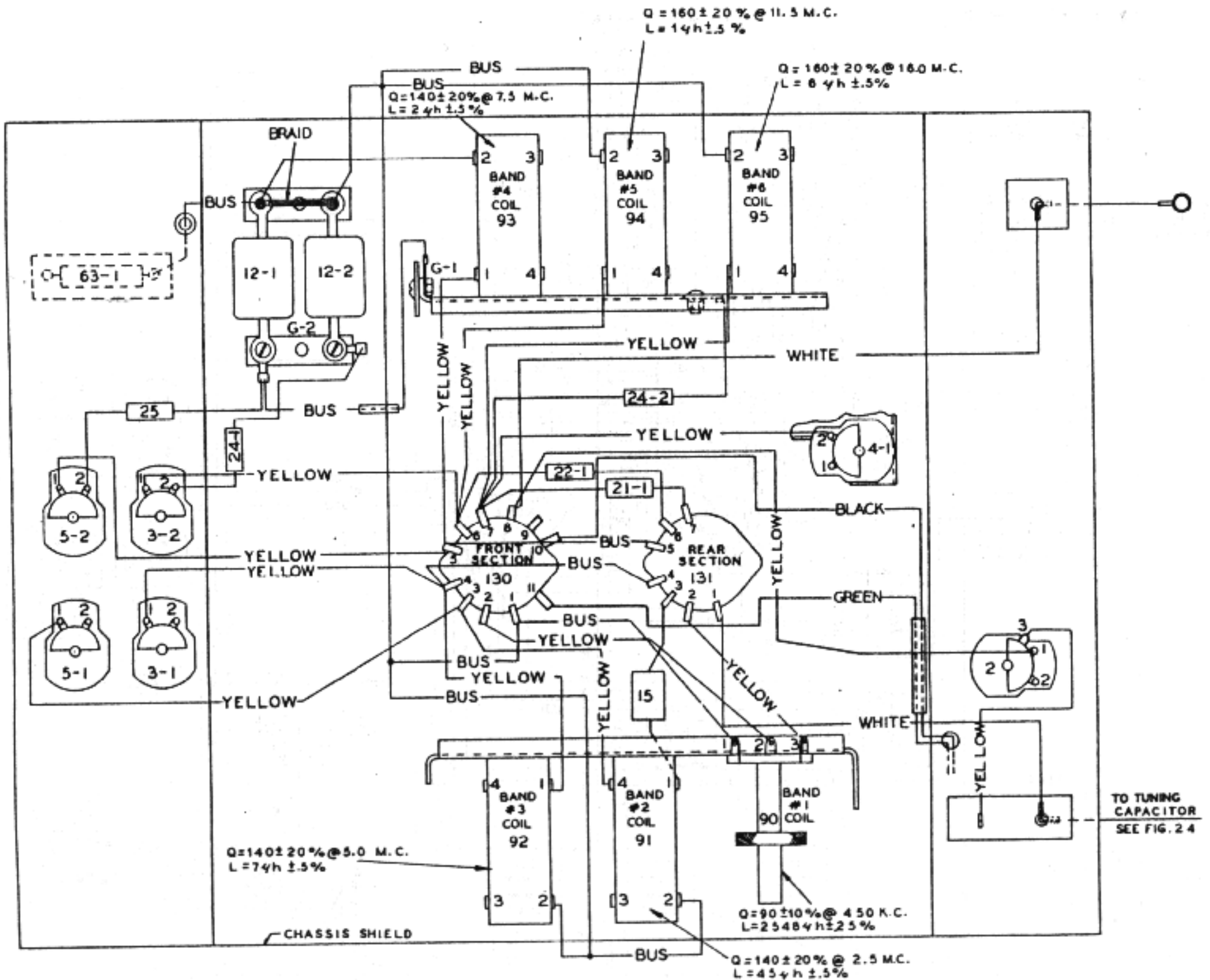
AVC ← OFF → MVC

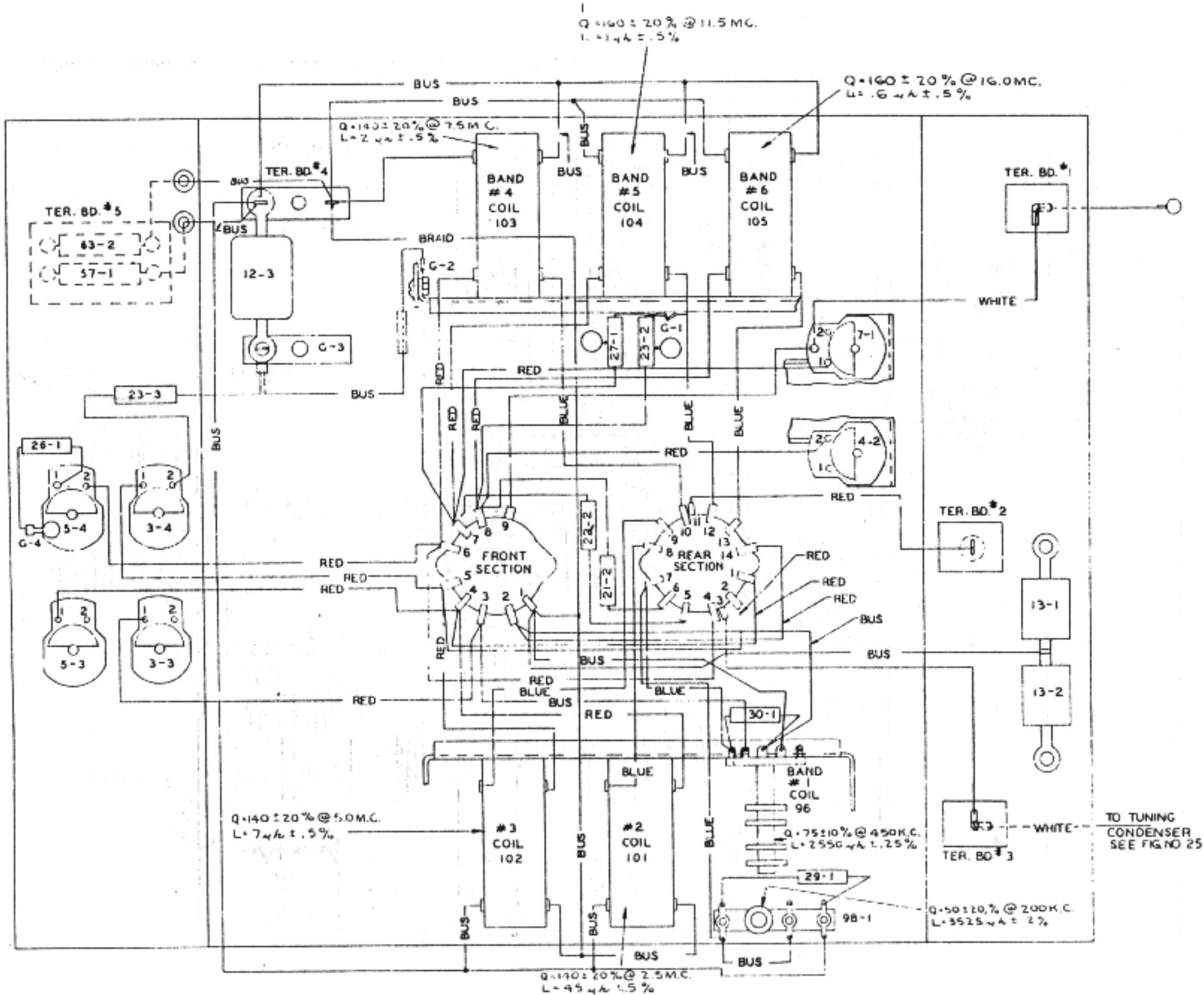
RELAY

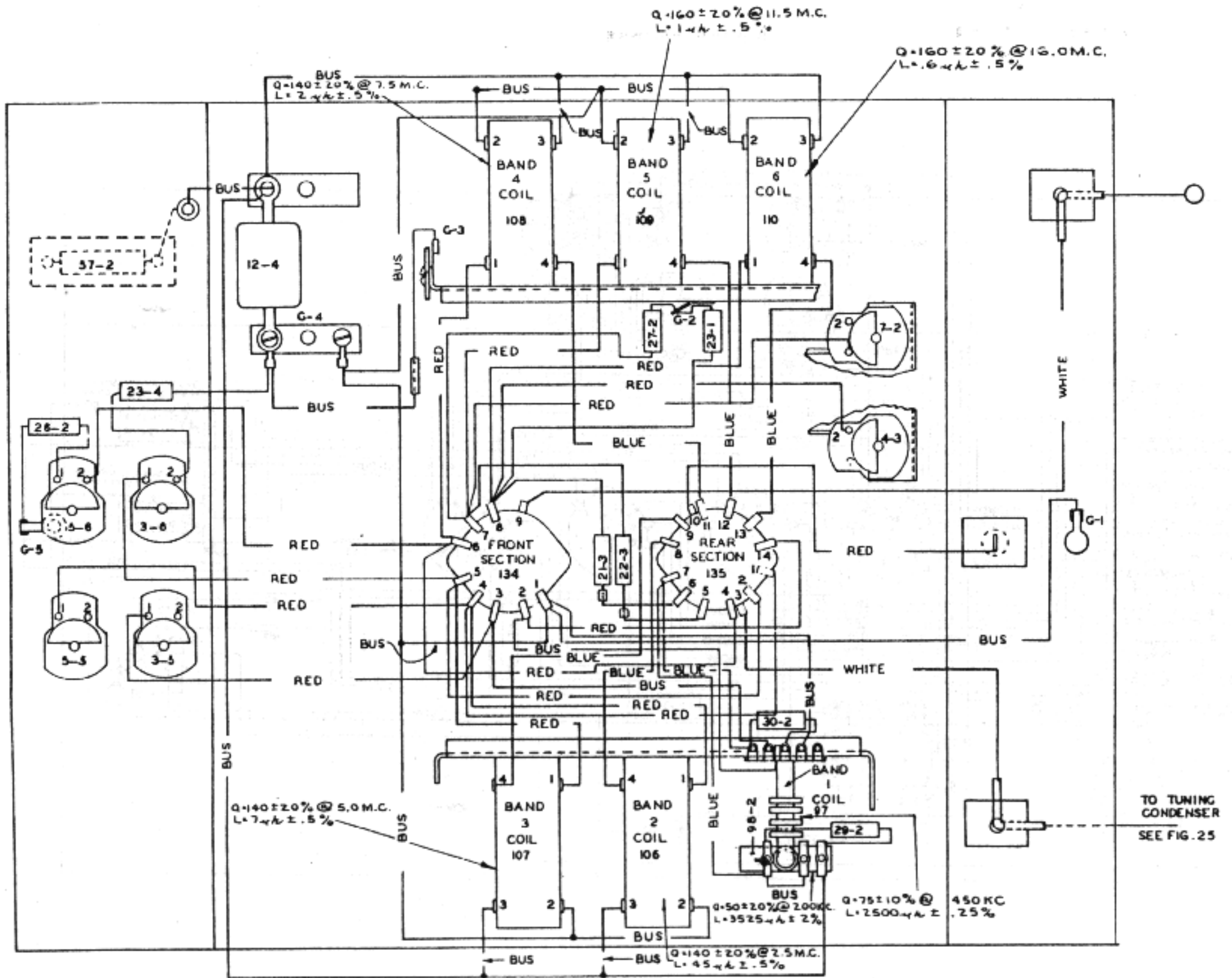


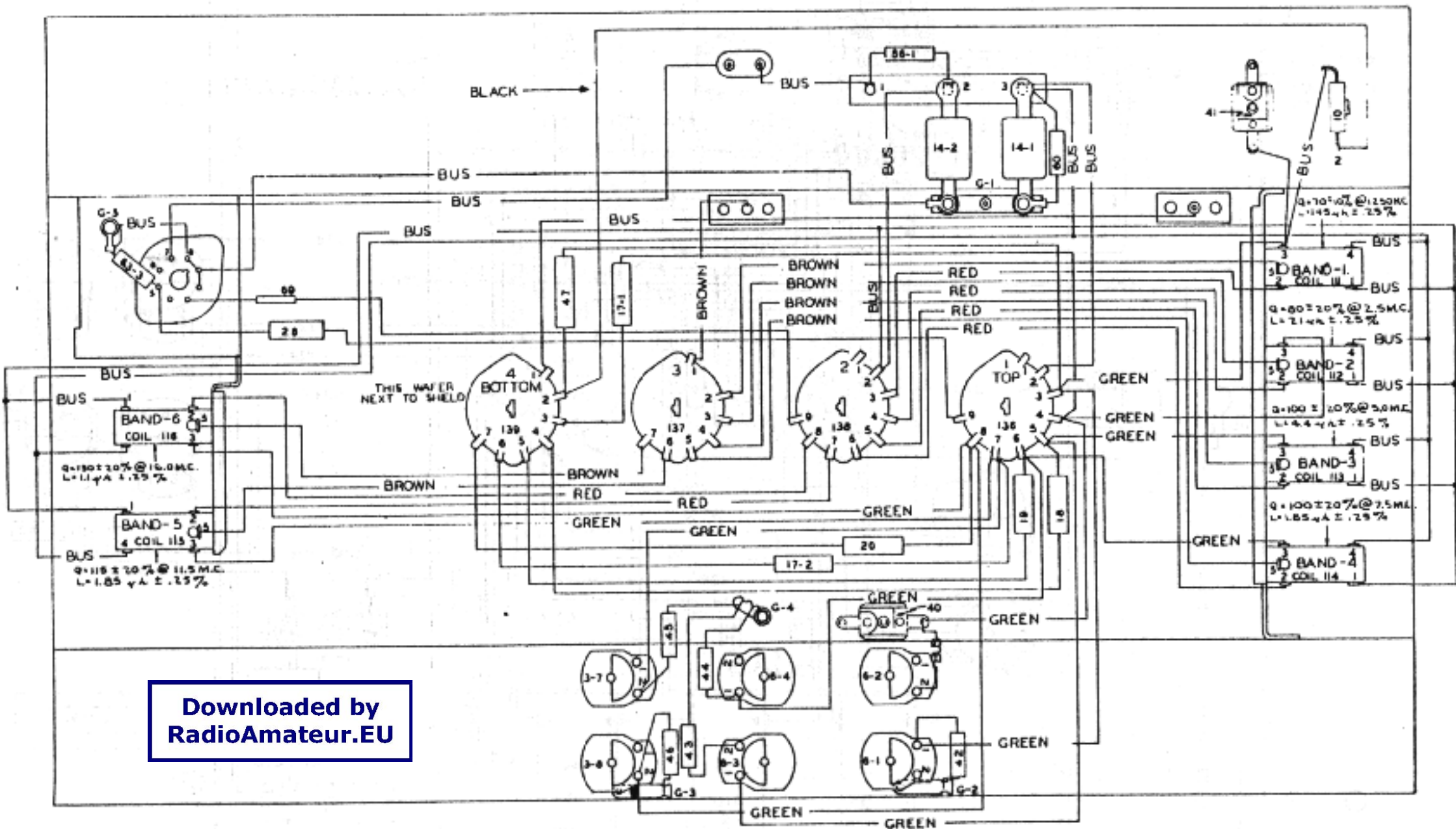
Downloaded by
RadioAmateur.EU



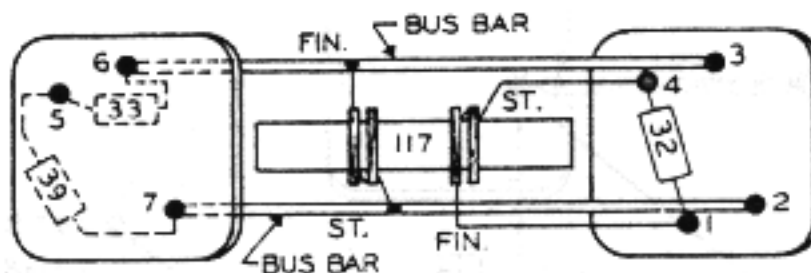
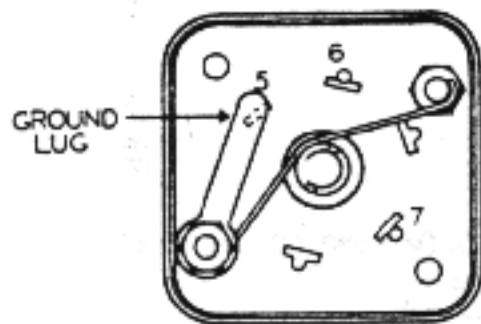




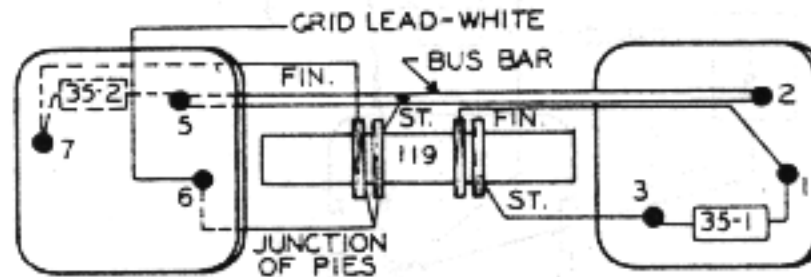
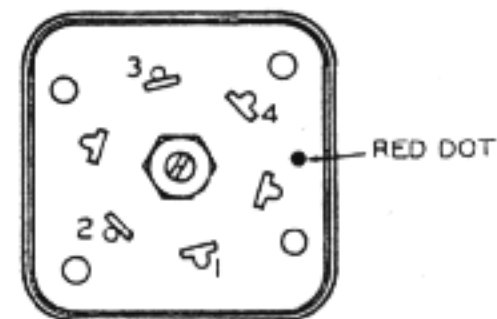




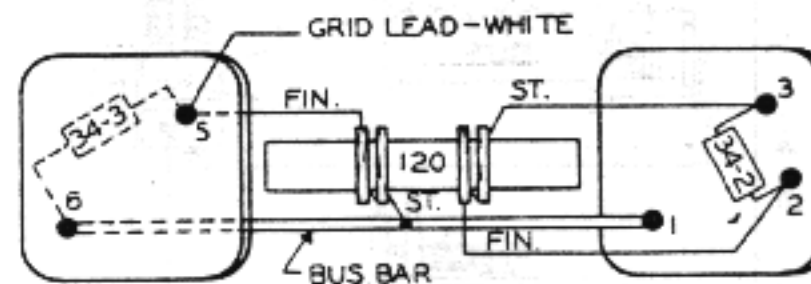
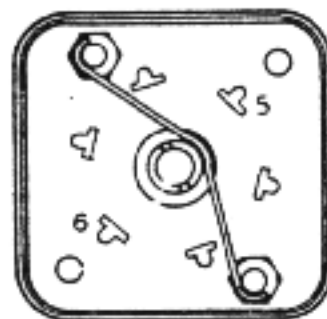
Downloaded by
RadioAmateur.EU



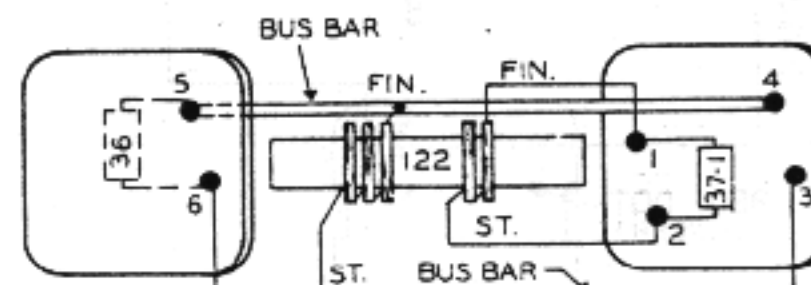
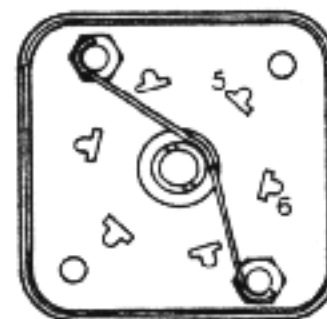
INPUT I.F. TRANSFORMER 915 K.C.



2ND. I.F. TRANSFORMER 915 K.C.



3RD. I.F. TRANSFORMER 915 K.C.



4TH. I.F. TRANSFORMER 915 K.C.



