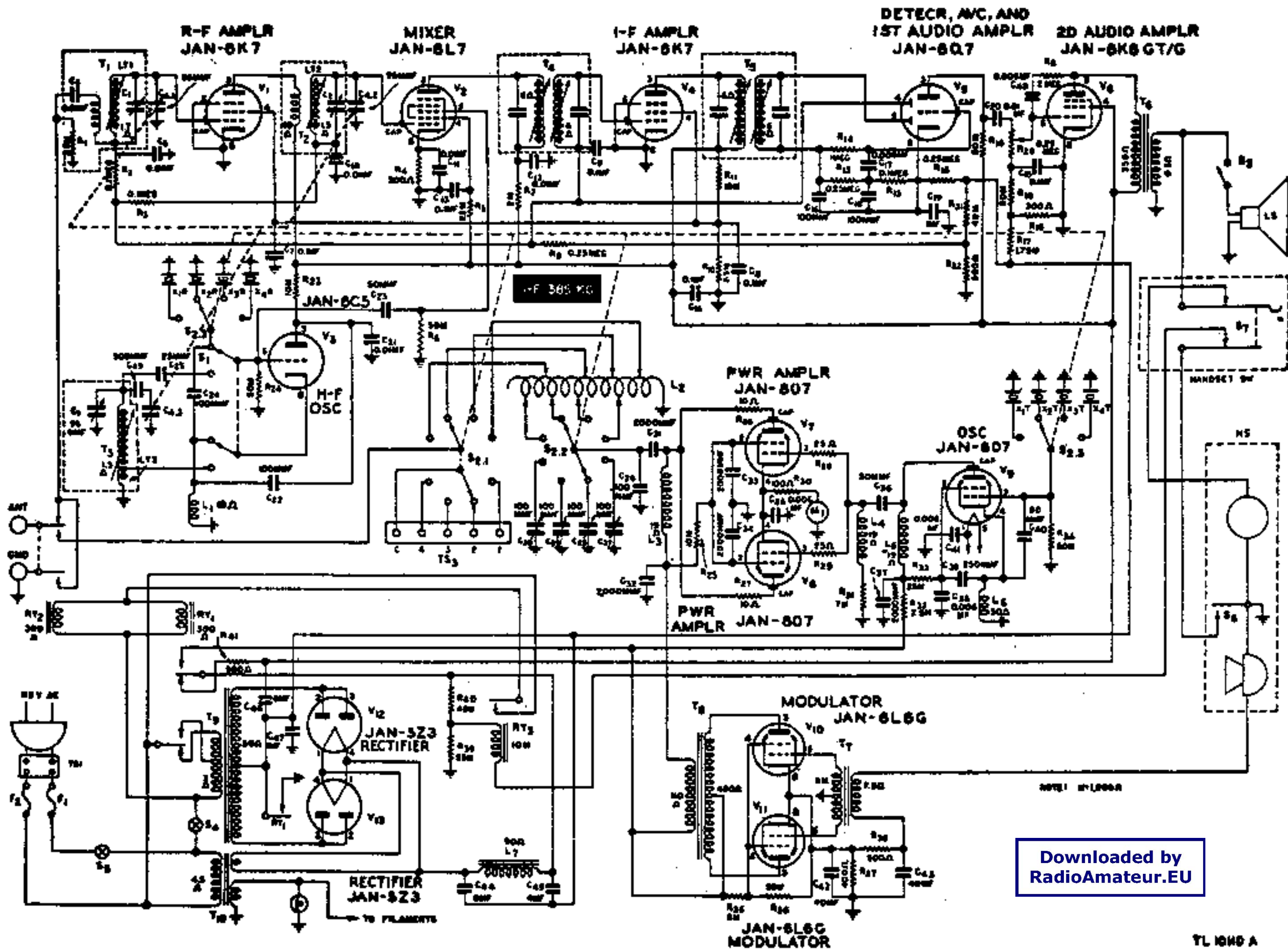


# SCHEMATIC OF BC-441-D



Downloaded by  
RadioAmateur.EU