

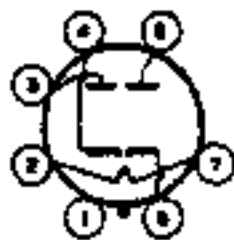
# RADIO RECEIVER AND TRANSMITTER BC-669-A, -B, AND -C R-F SECTION WITH MODIFICATION FOR C-W OPERATION



JAN-645



JAN-616



JAN-648



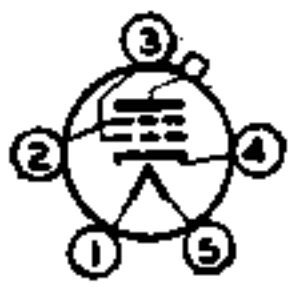
JAN-6K8GT/G



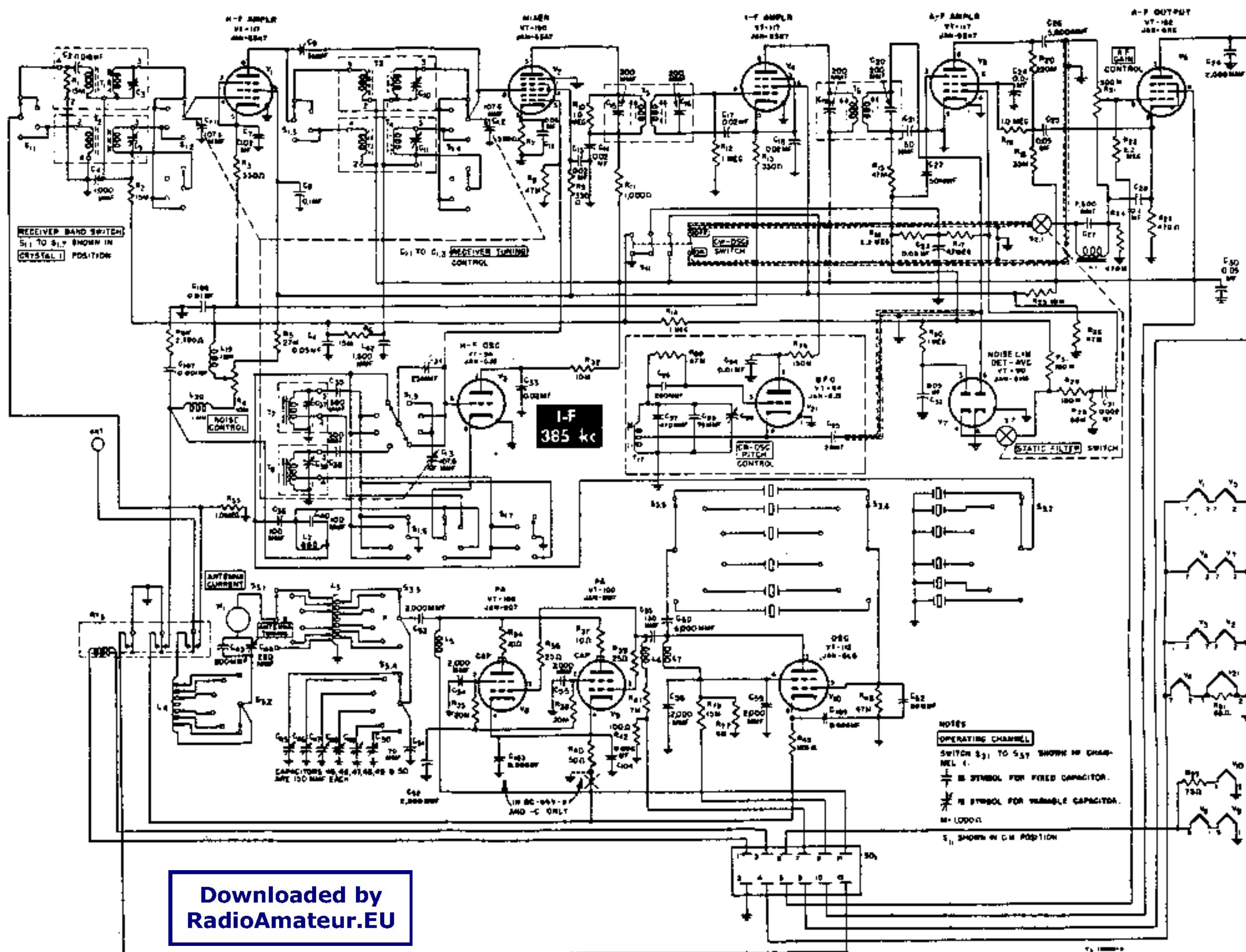
JAN-63E7



JAN-65A7



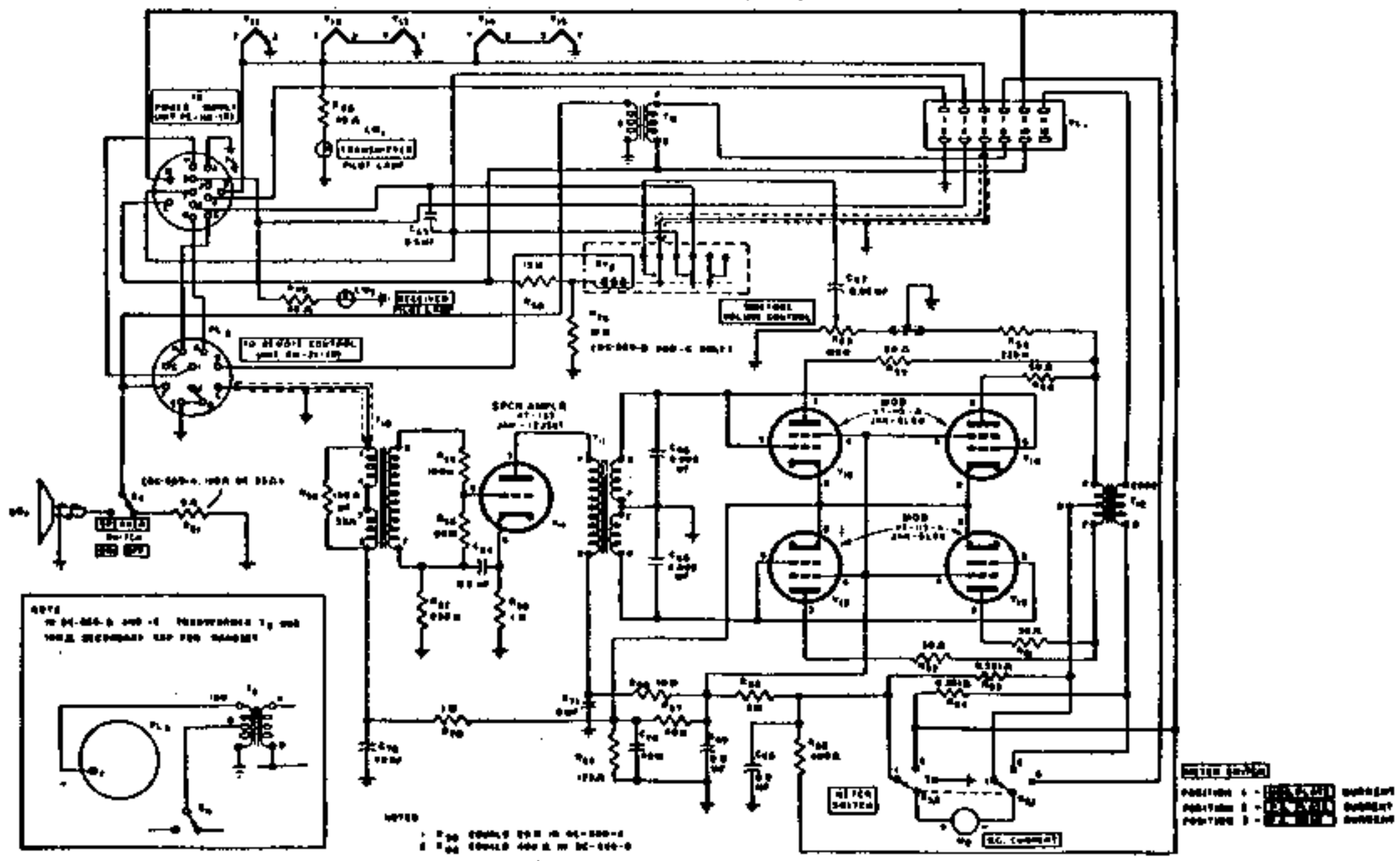
JAN-697



Downloaded by  
RadioAmateur.EU

NOTES  
 OPERATING CHANNEL  
 SWITCH S<sub>1</sub> TO S<sub>5</sub> SHOWN IN CHANNEL 1.  
 IS SYMBOL FOR FIXED CAPACITOR.  
 IS SYMBOL FOR VARIABLE CAPACITOR.  
 M = 1,000 Ω  
 S<sub>1</sub> SHOWN IN C.W. POSITION

# MODULATOR SECTION. BC-669-A, -B, AND -C



# MODULATOR SECTION WITH MODIFICATION FOR C-W OPERATION

