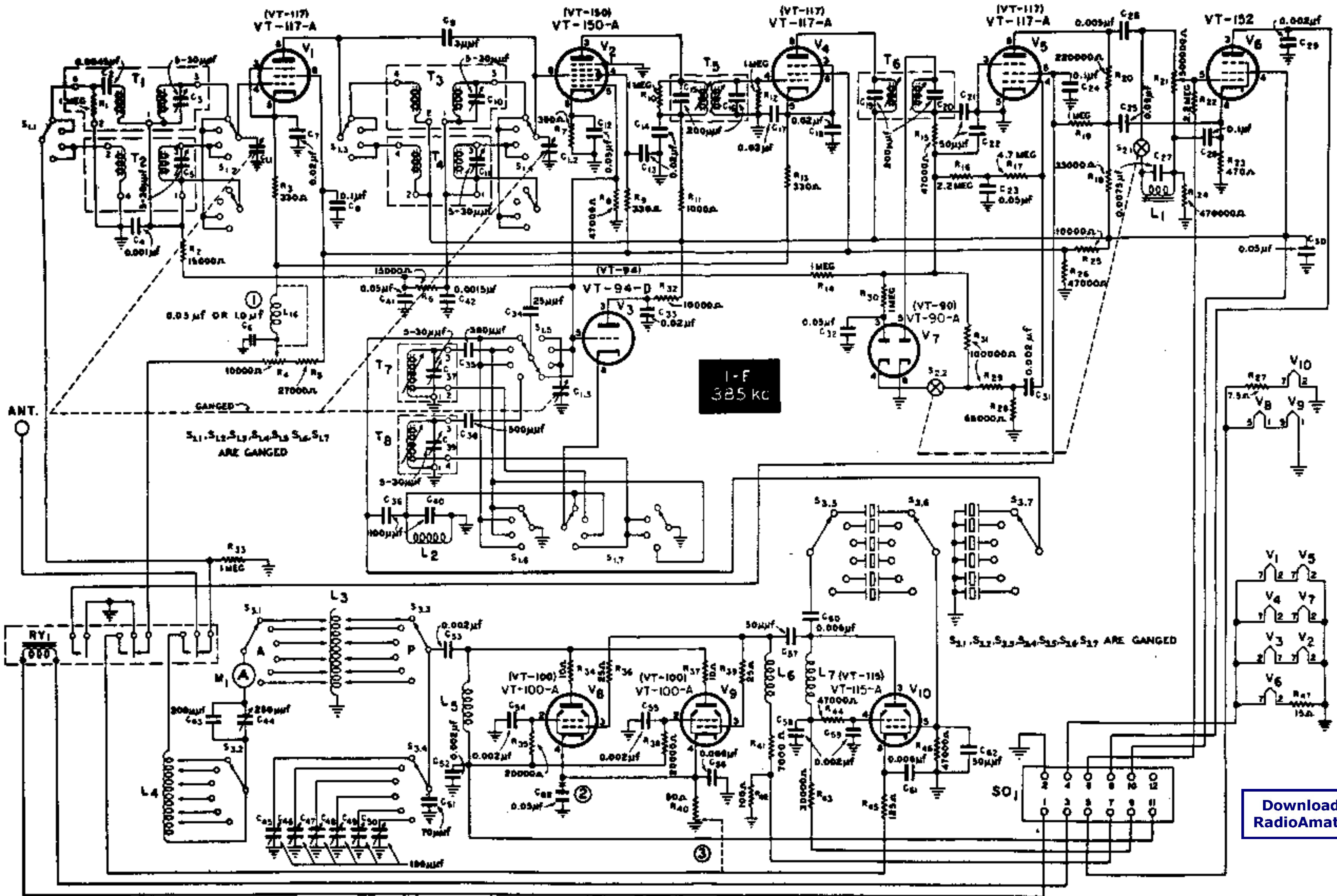


# SCHEMATIC OF RECEIVER AND TRANSMITTER R-F SECTION



- ① ON BC-669-A, L16 IS NOT USED. DASHED LINE SHOWS THE CONNECTION.
  - ② ON BC-669-A, C66 IS NOT USED.
  - ③ ON BC-669-A, R20 IS DISCONNECTED FROM GROUND AND CONNECTED TO R45 AS SHOWN BY DASHED LINE.
- TUBES DESIGNATED IN ( ) ARE USED IN BC-669-A ONLY.

VT-90 RMA TYPE 6H6	VT-90-A RMA TYPE 6H6-GT	VT-94 RMA TYPE 6J5	VT-94-D RMA TYPE 6J5-GT	VT-100 RMA TYPE 807	VT-100-A RMA TYPE 807-A	VT-115 RMA TYPE 6L5	VT-115-A RMA TYPE 6L5-G	VT-117 RMA TYPE 6SK7	VT-117-A RMA TYPE 6SK7-GT	VT-150 RMA TYPE 6SA7	VT-150-A RMA TYPE 6SA7-GT	VT-152 RMA TYPE 6X6-GT

Downloaded by  
RadioAmateur.EU