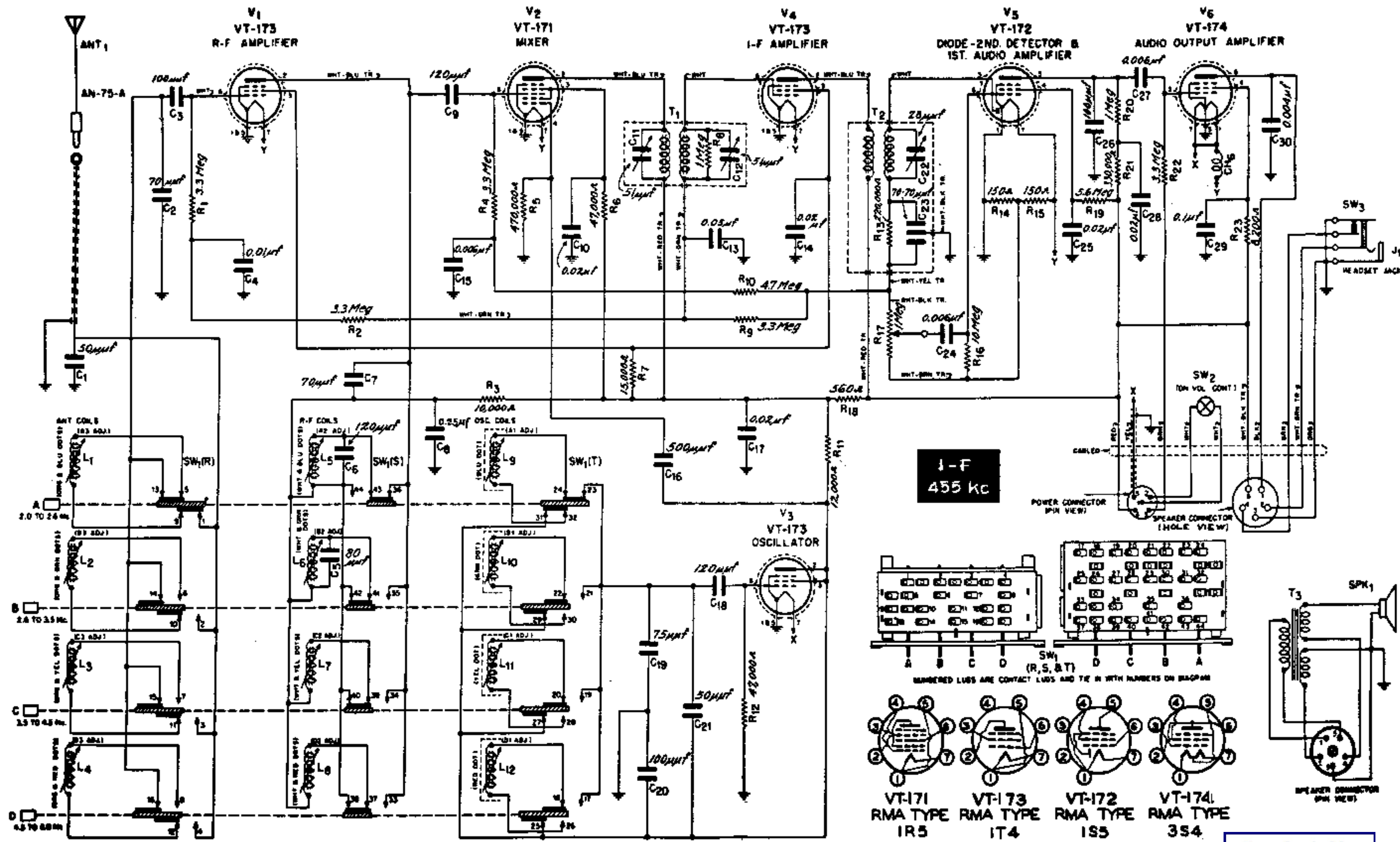
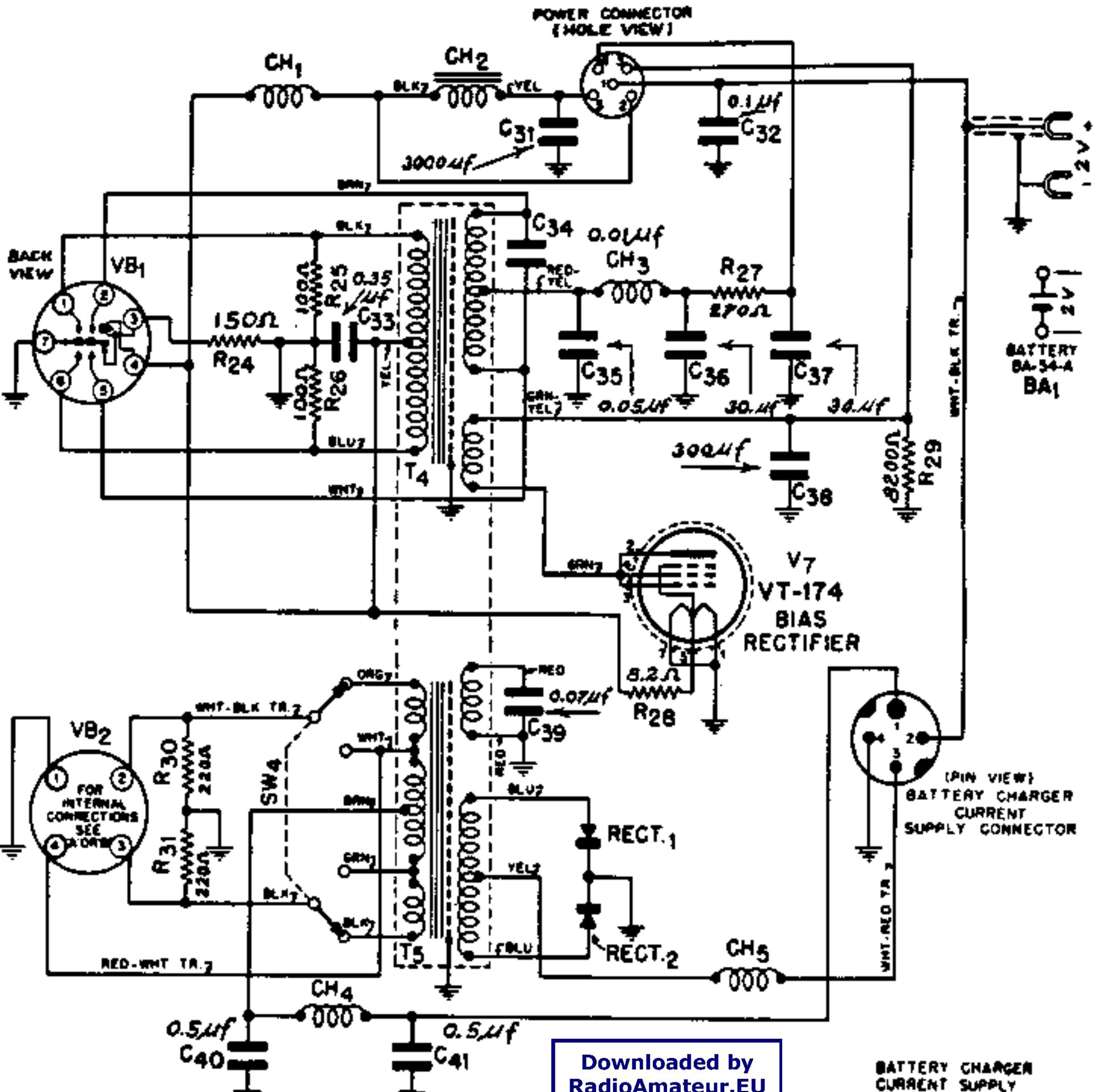


SCHEMATIC OF RECEIVER



POWER SUPPLY SCHEMATIC



Downloaded by
RadioAmateur.EU

BATTERY CHARGER
CURRENT SUPPLY
CONNECTOR ON
MOUNTING FT-338-A

