

ILLUSTRATION BOOKLET

Part of 595-1994-06

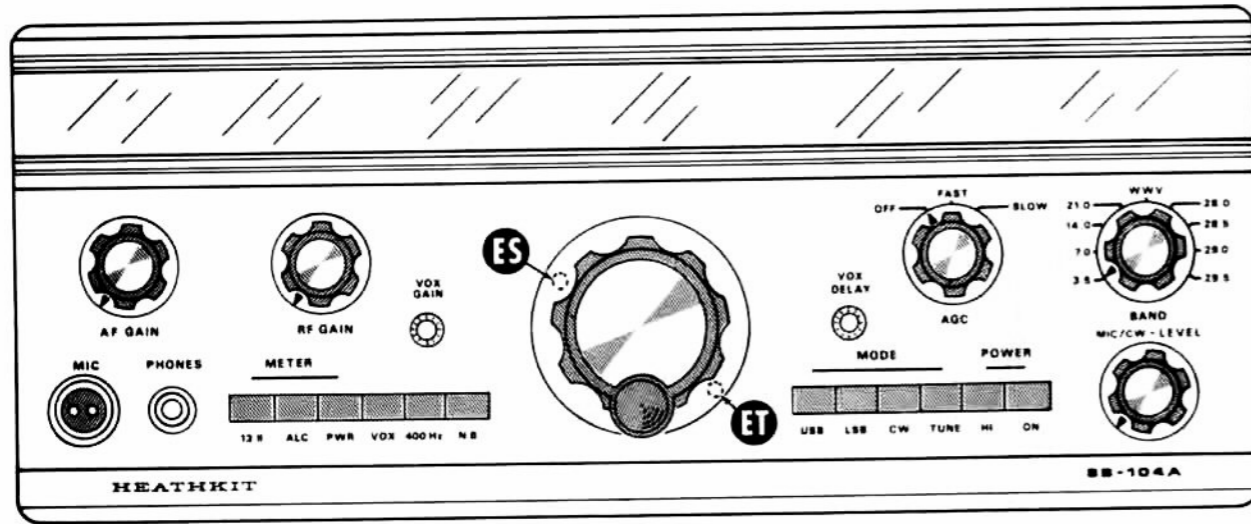


Figure 1-1

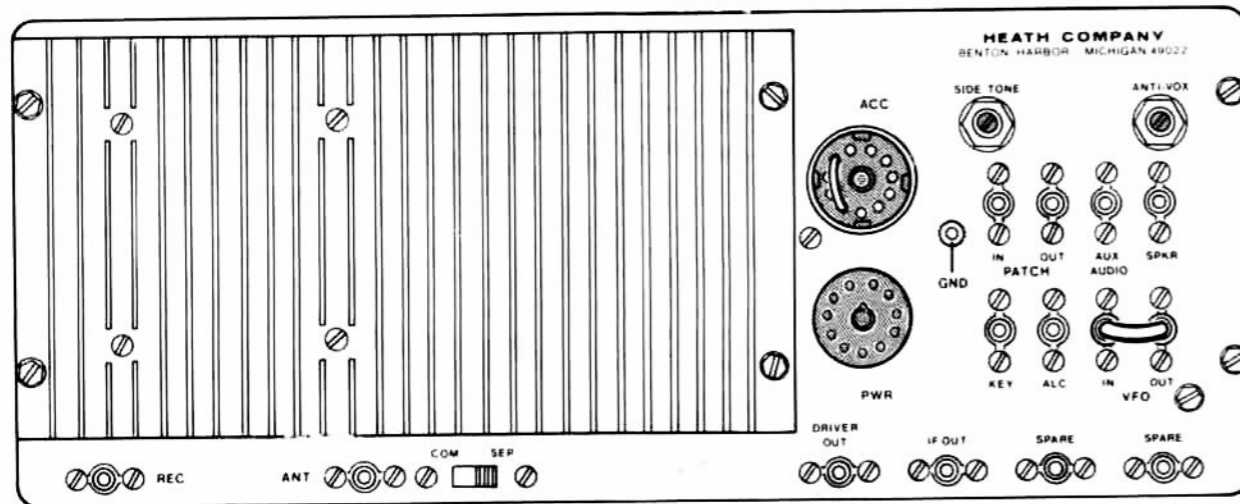


Figure 1-2

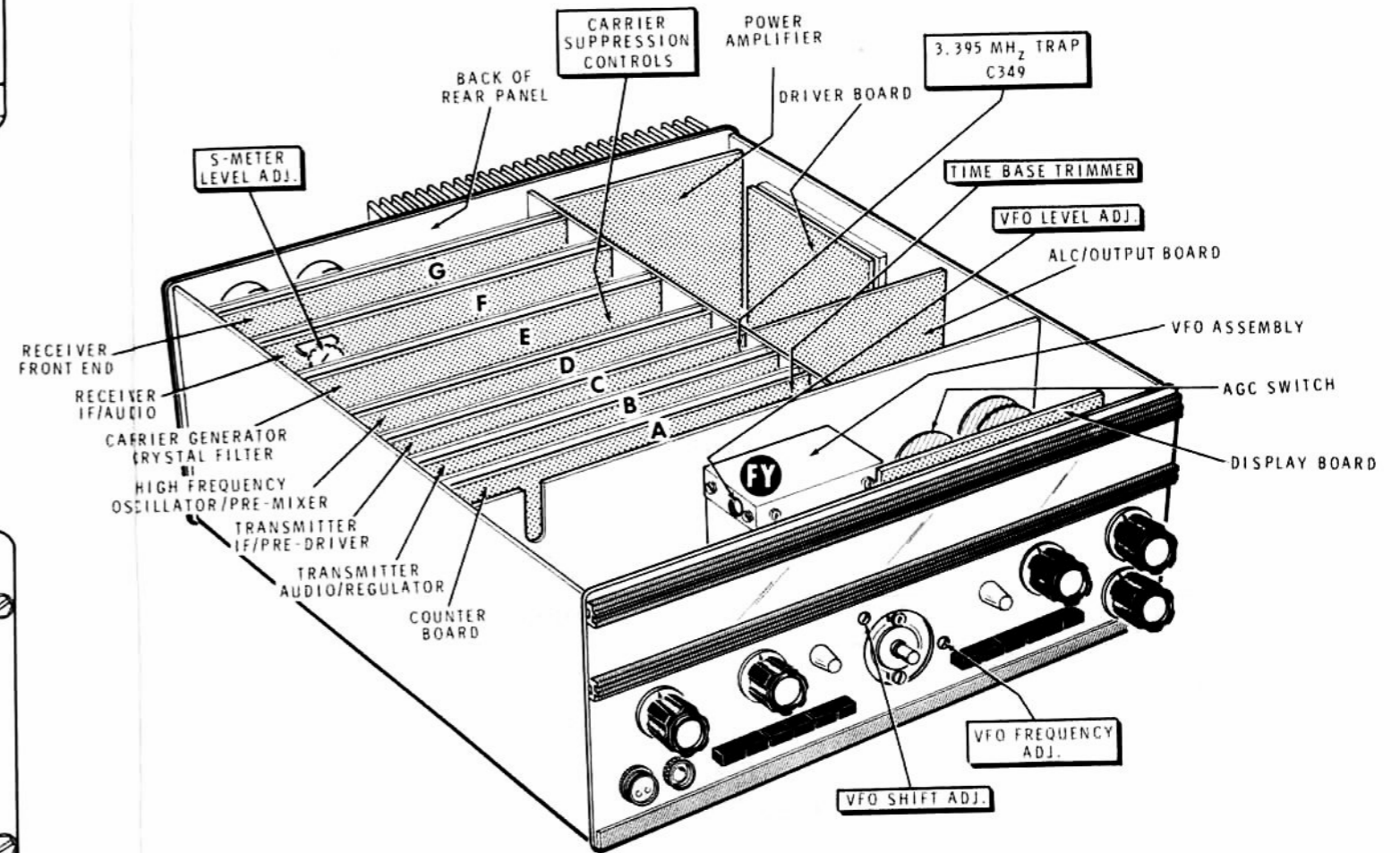


Figure 1-3

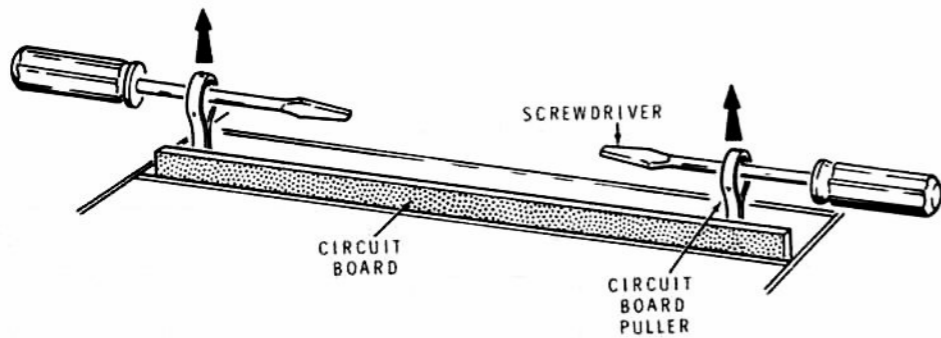


Figure 1-4

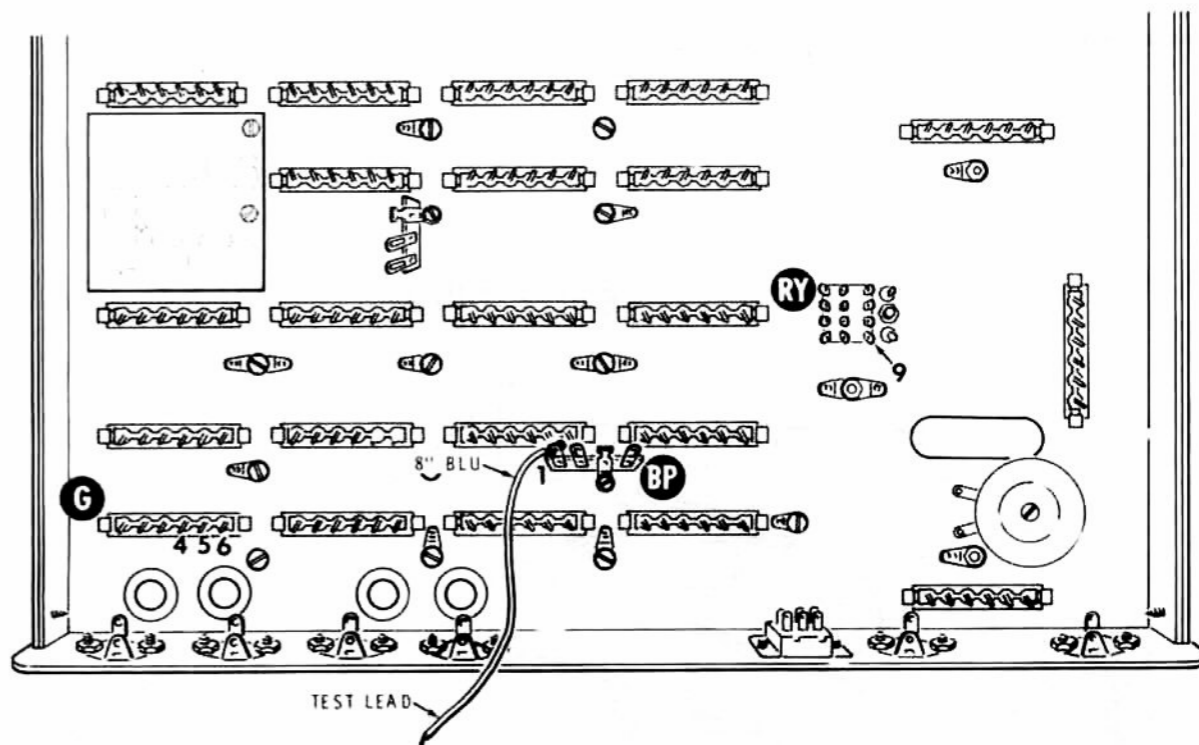
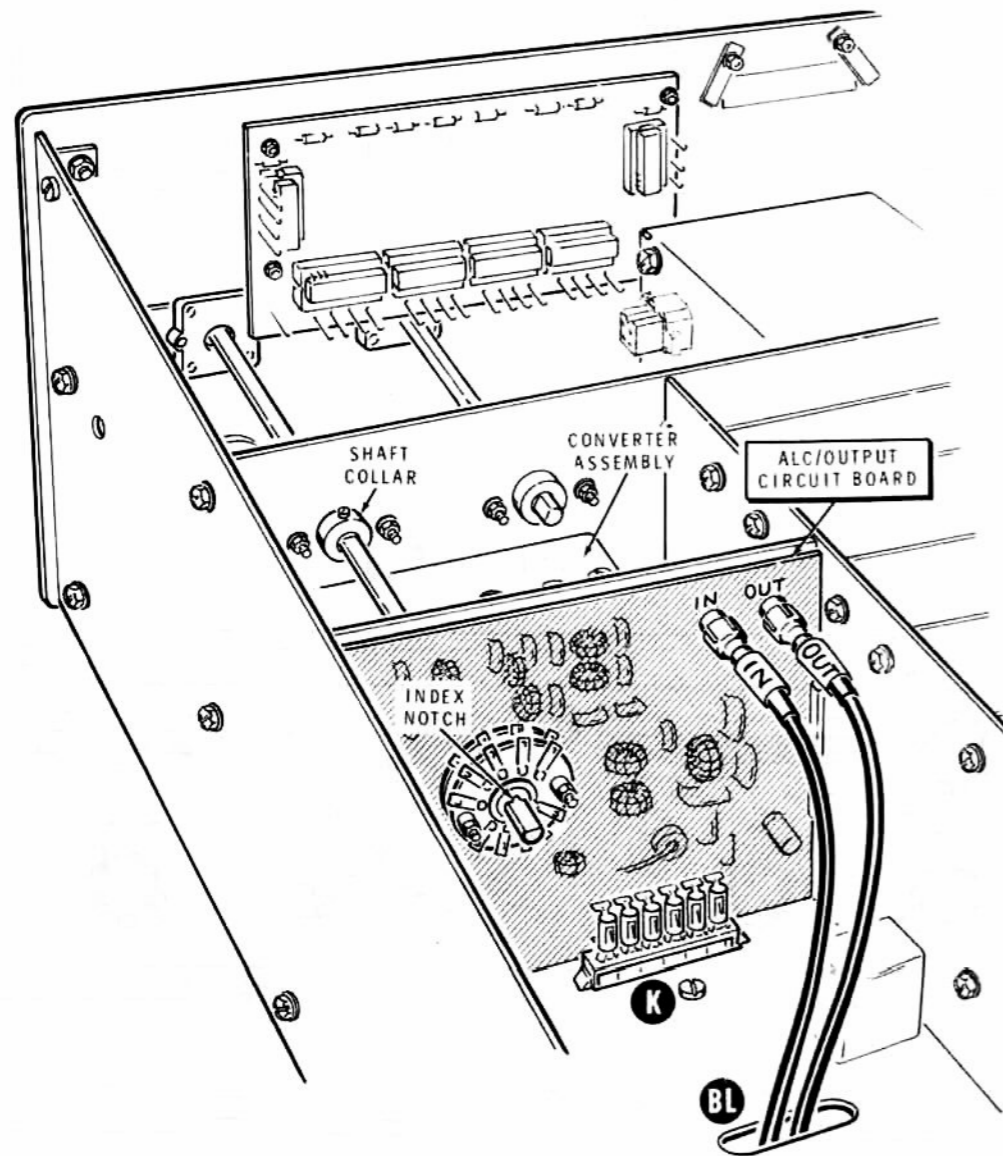


Figure 1-5



PICTORIAL 12-38

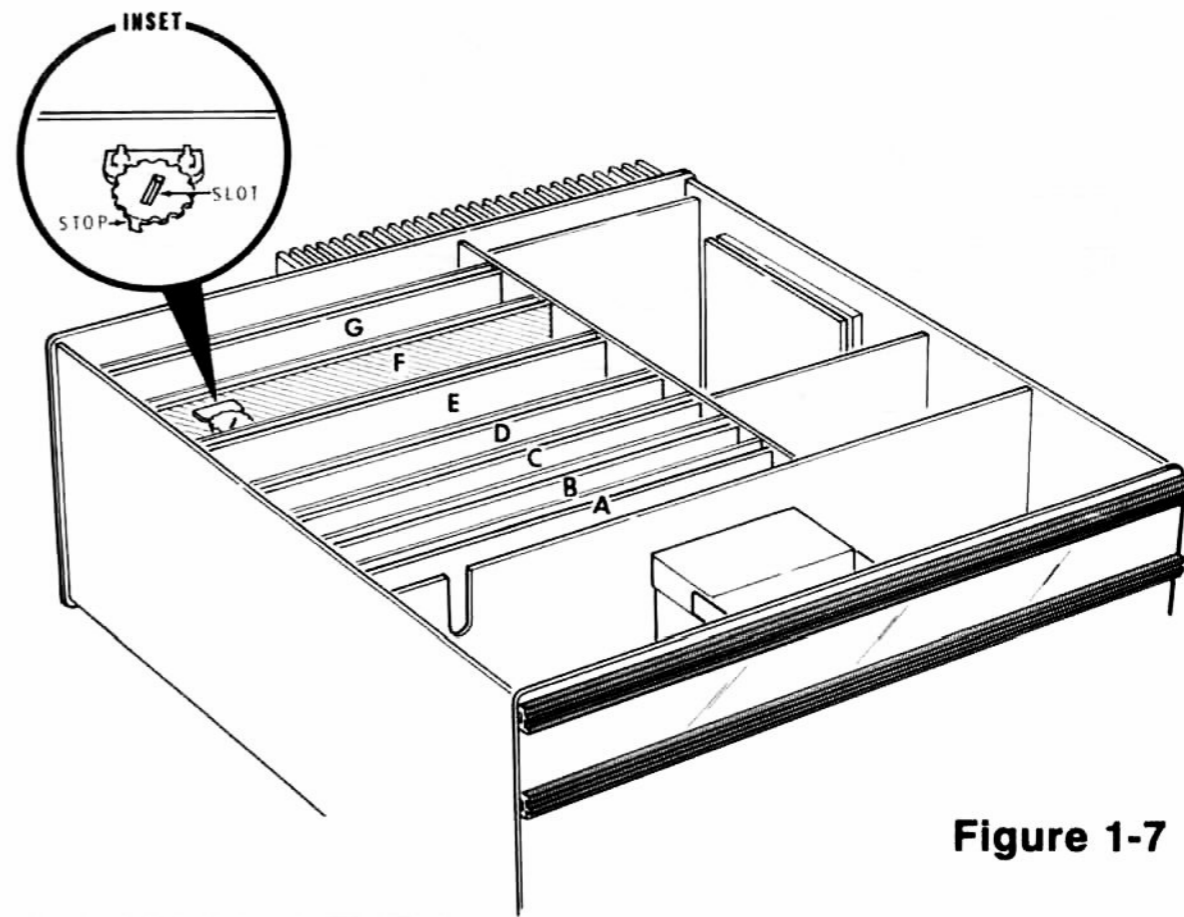
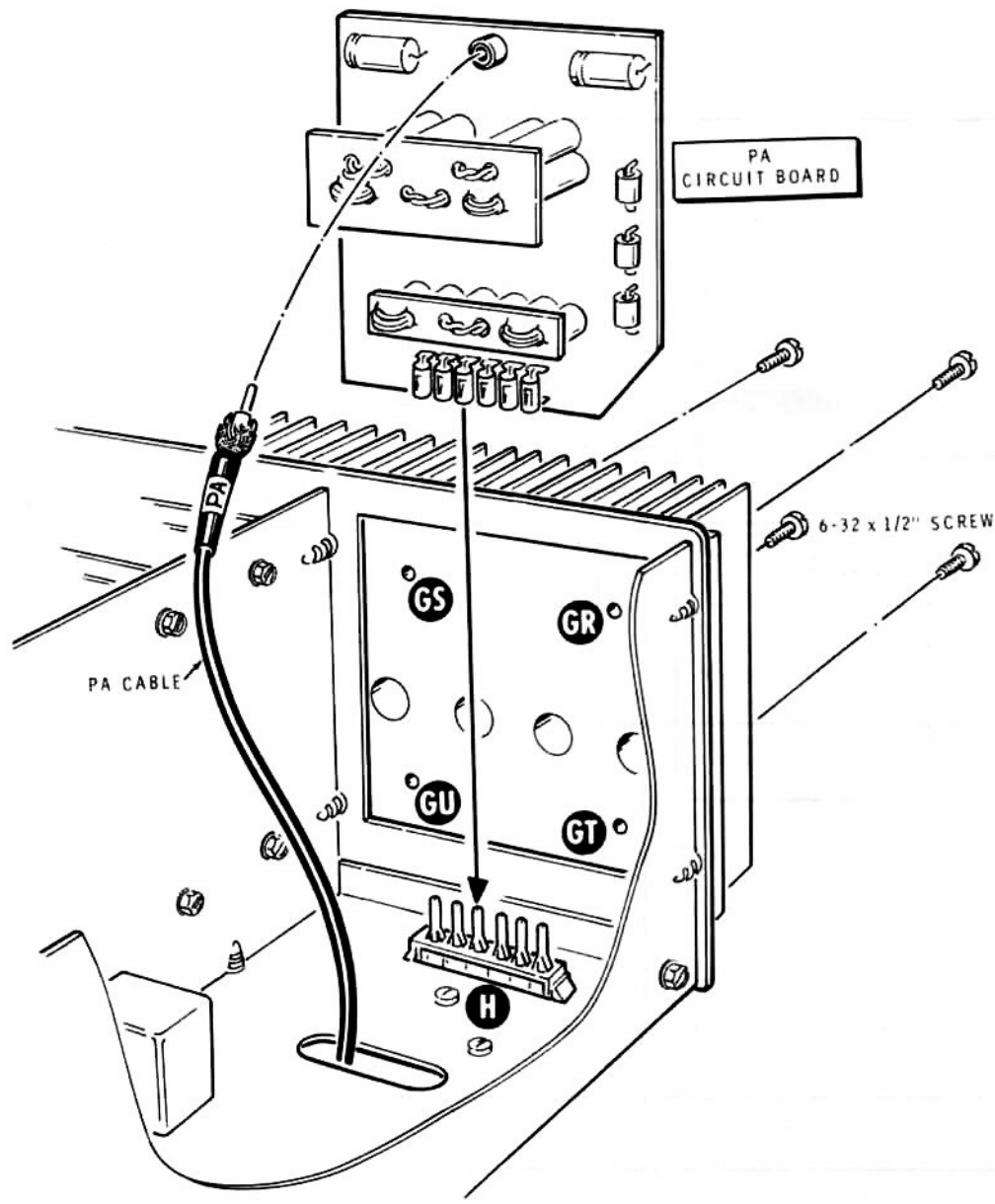
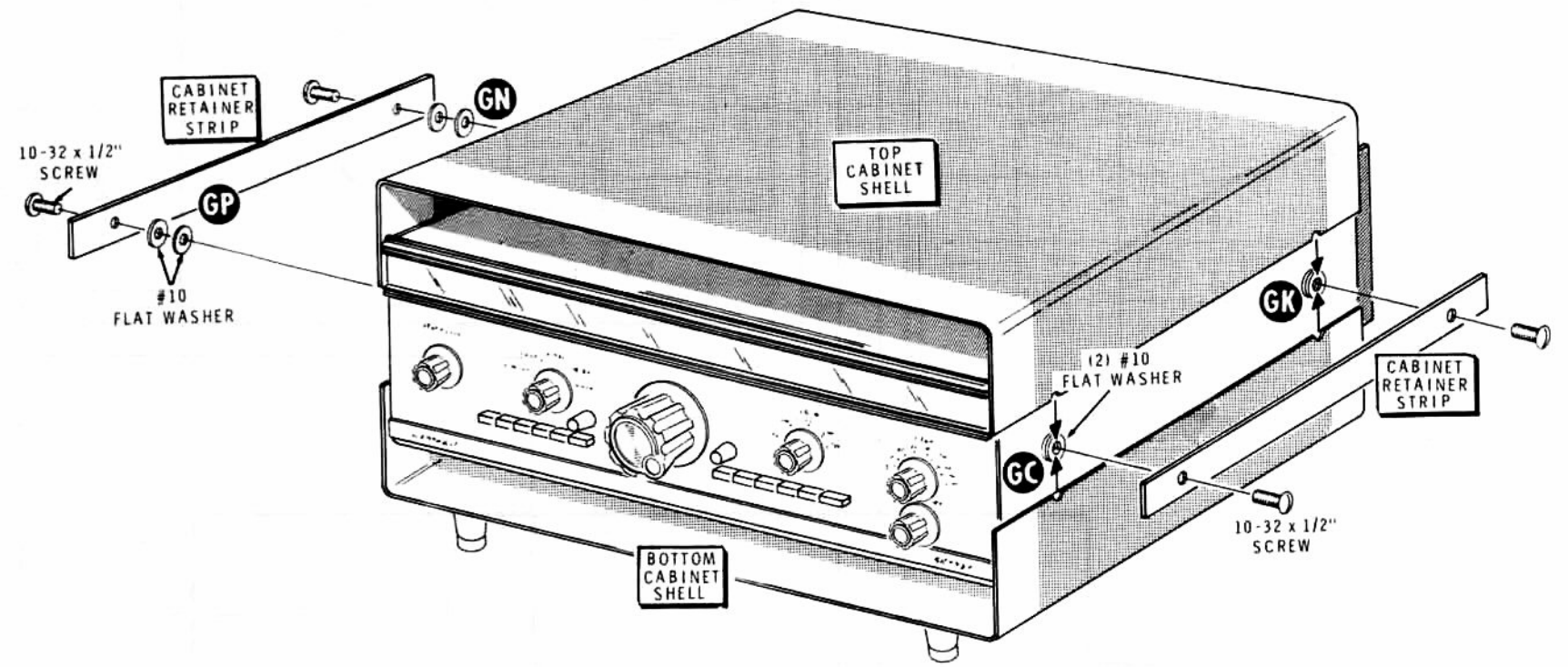


Figure 1-7



PICTORIAL 12-40



PICTORIAL 12-42

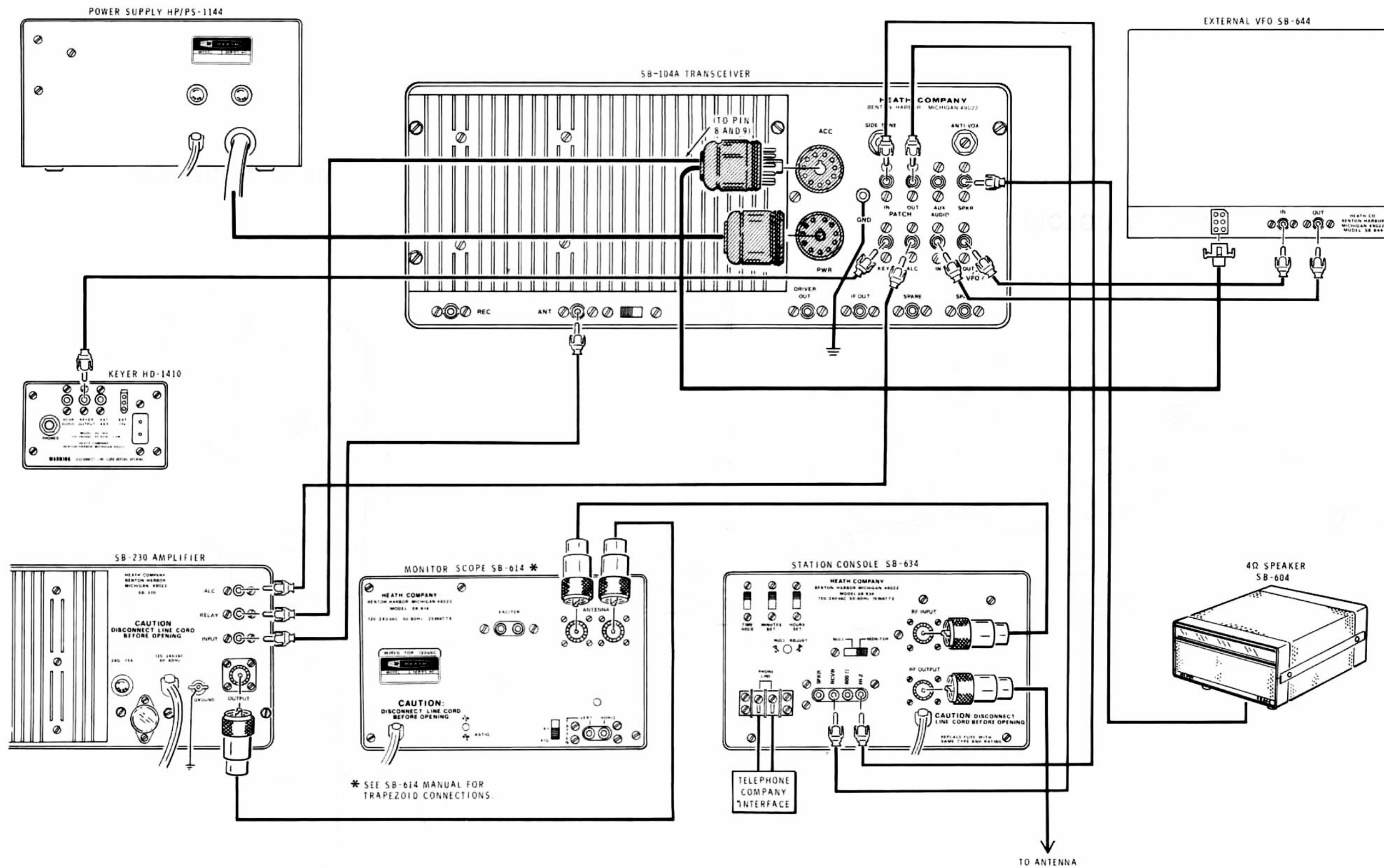


Figure 2-2

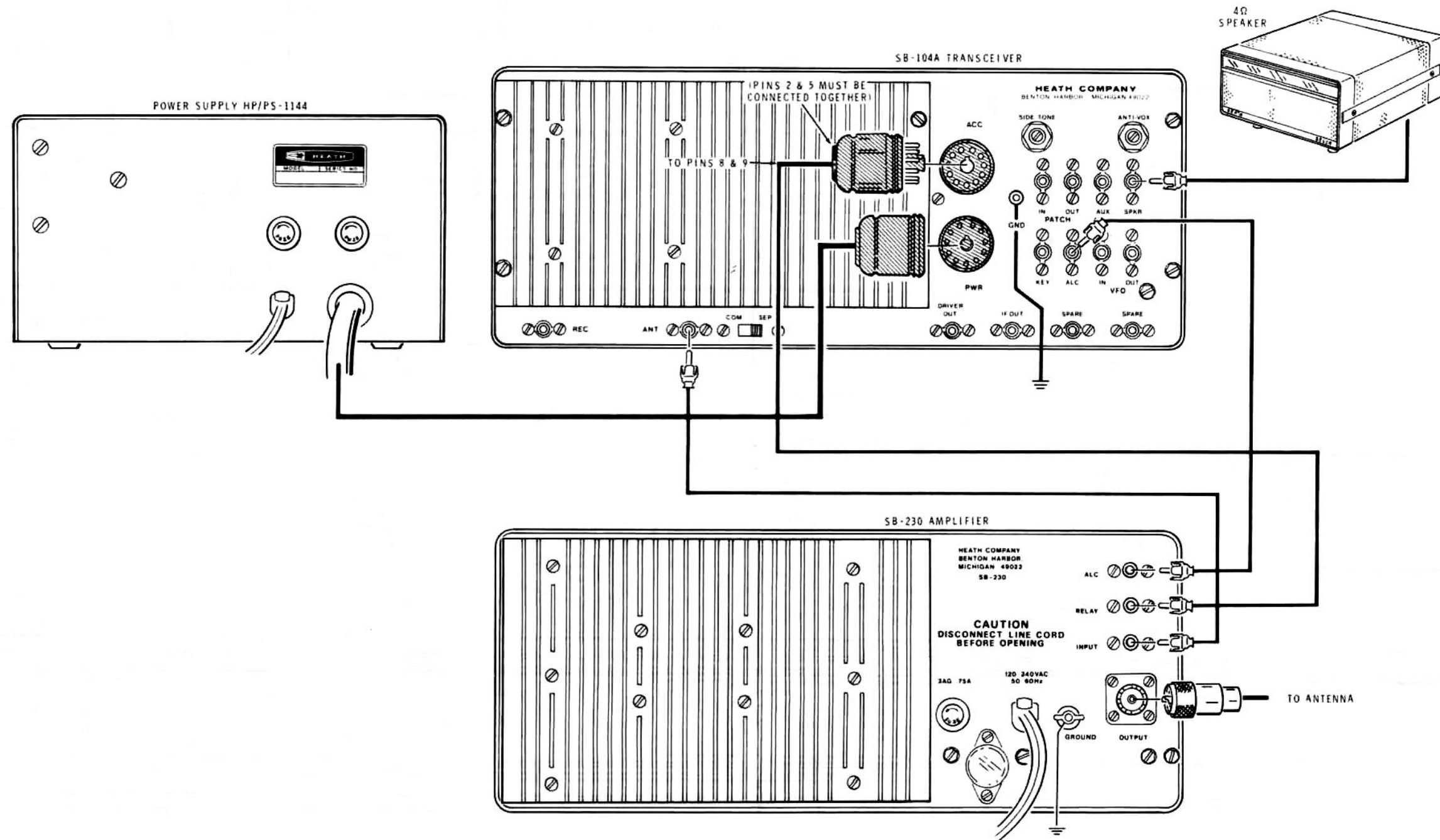


Figure 2-3

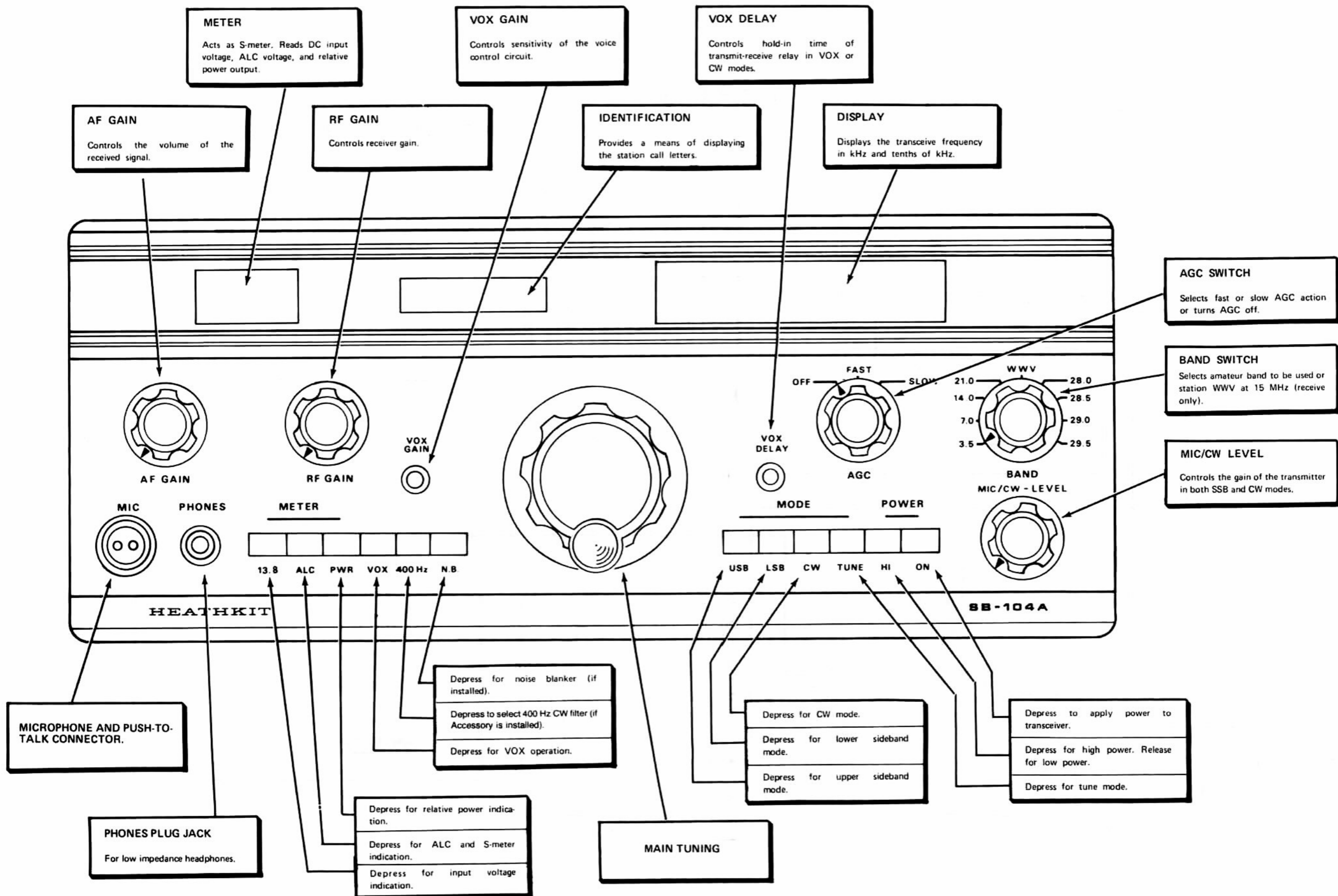


Figure 3-1

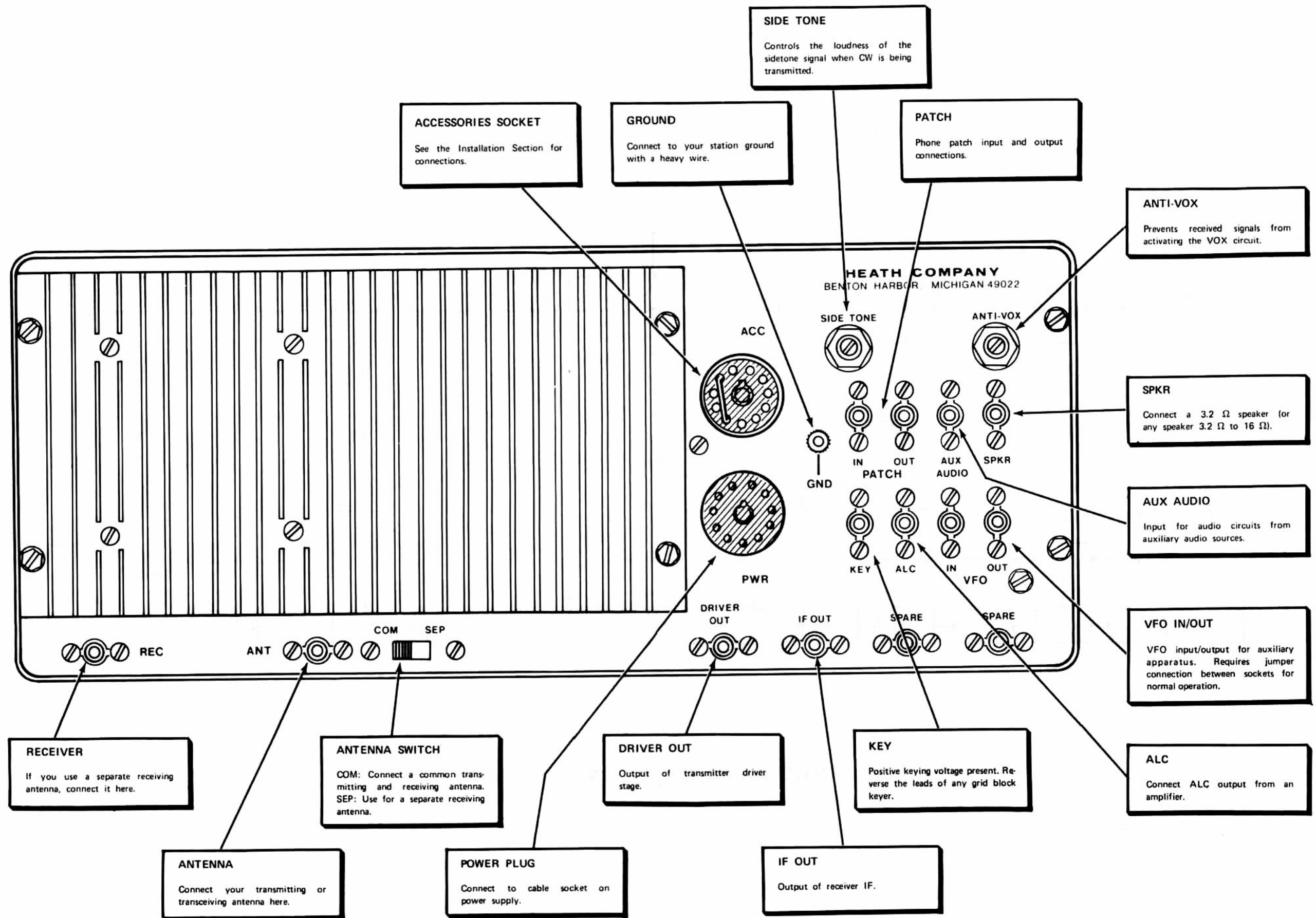
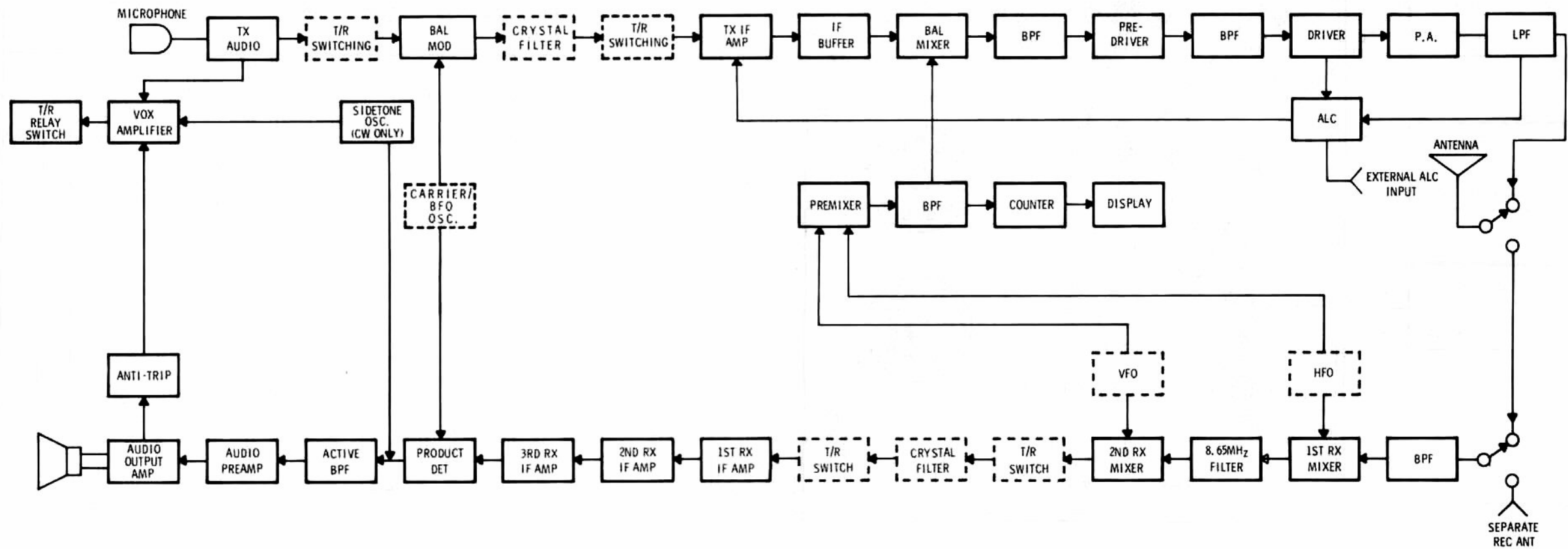



Figure 3-2

FUNCTIONAL BLOCK DIAGRAM



 = FUNCTION USED IN BOTH TRANSMIT AND RECEIVE

BPF = BAND PASS FILTER

RECEIVER BLOCK DIAGRAM

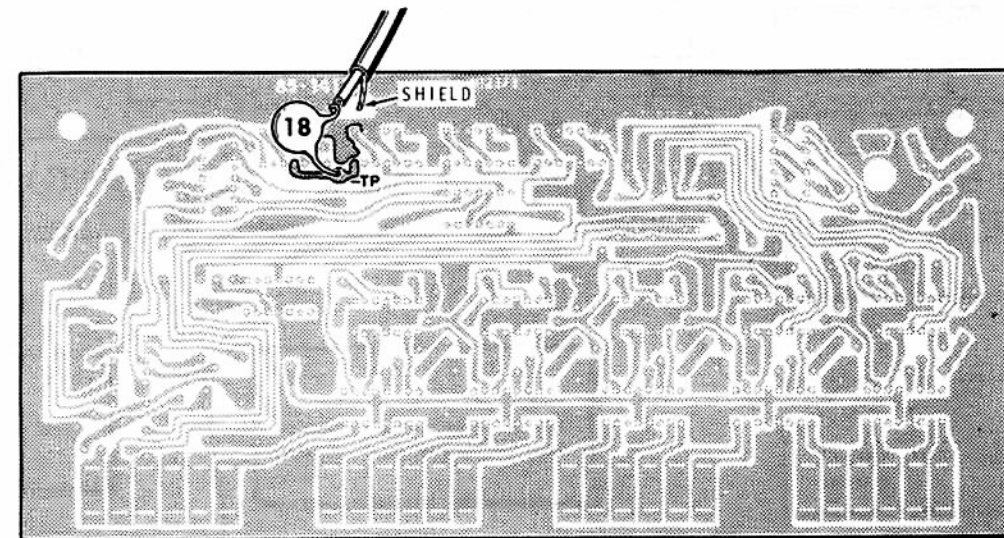
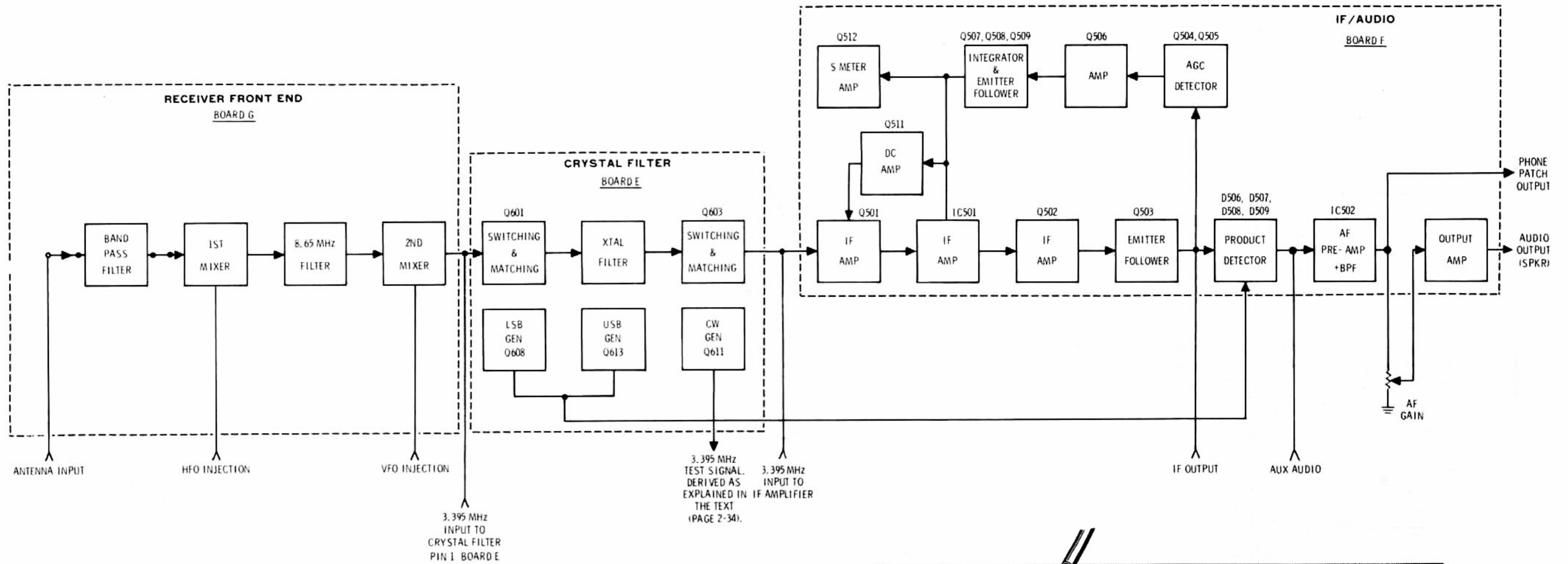
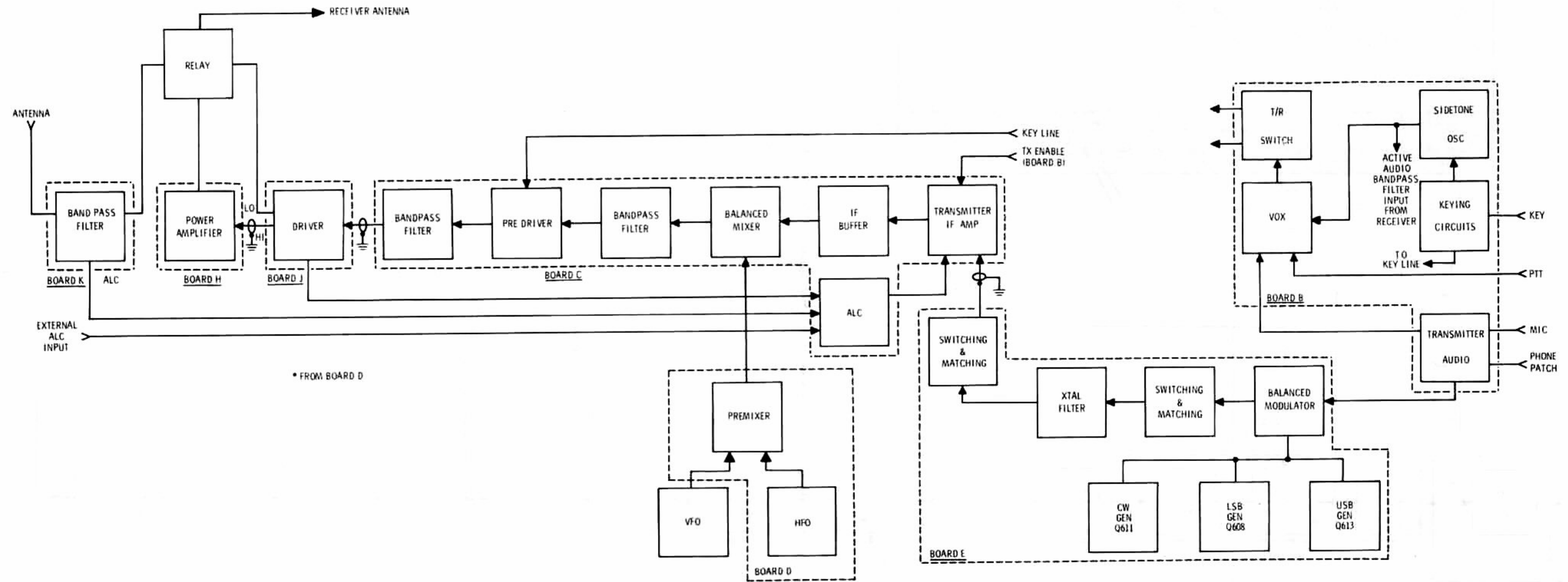


Figure 3-7

TRANSMITTER BLOCK DIAGRAM



DISPLAY BLOCK DIAGRAM

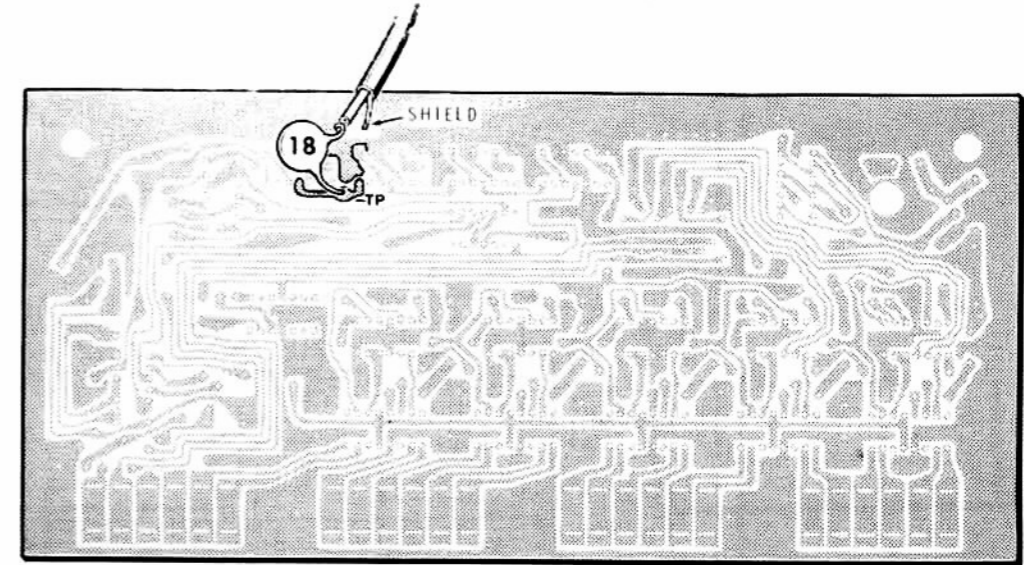
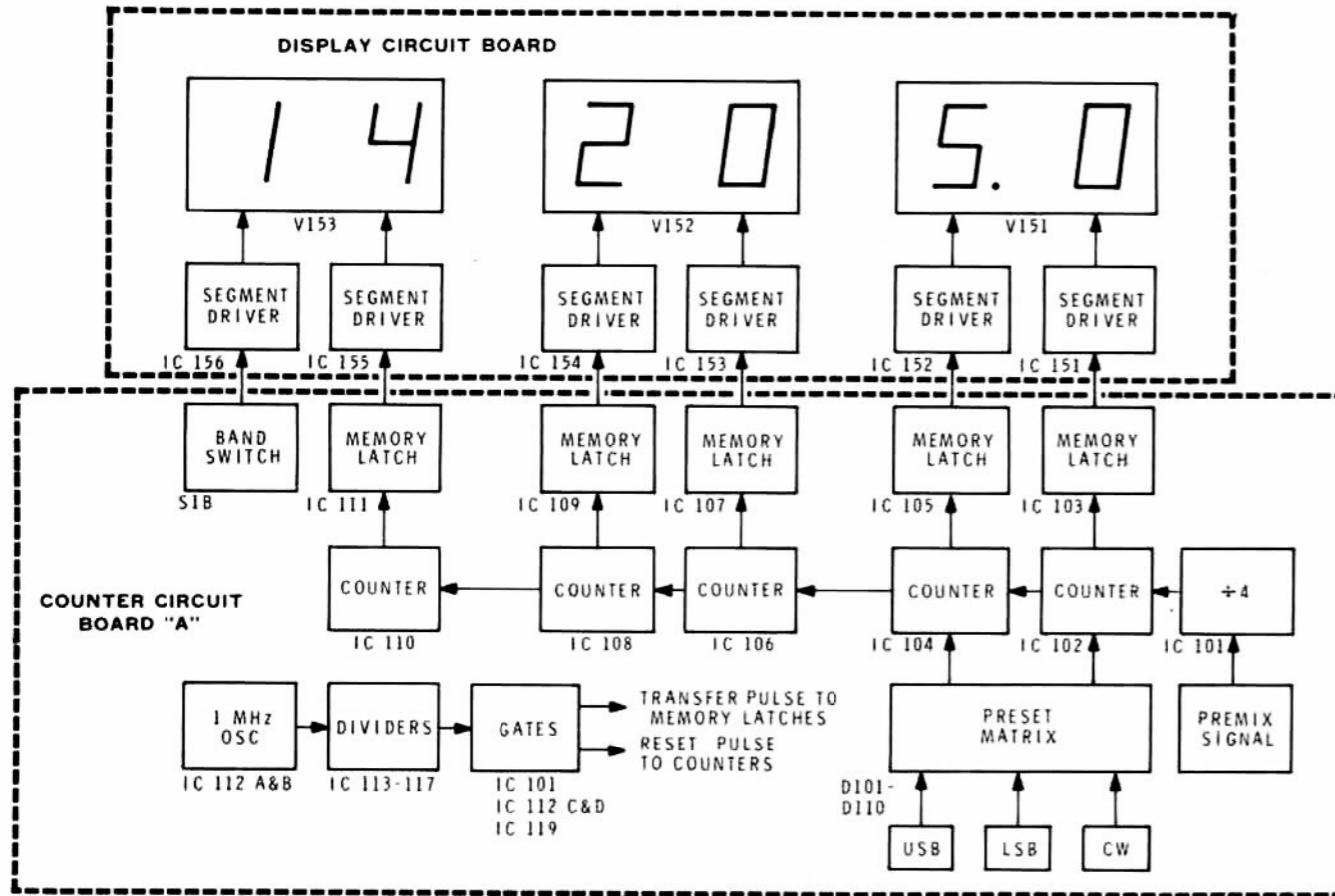


Figure 4-6

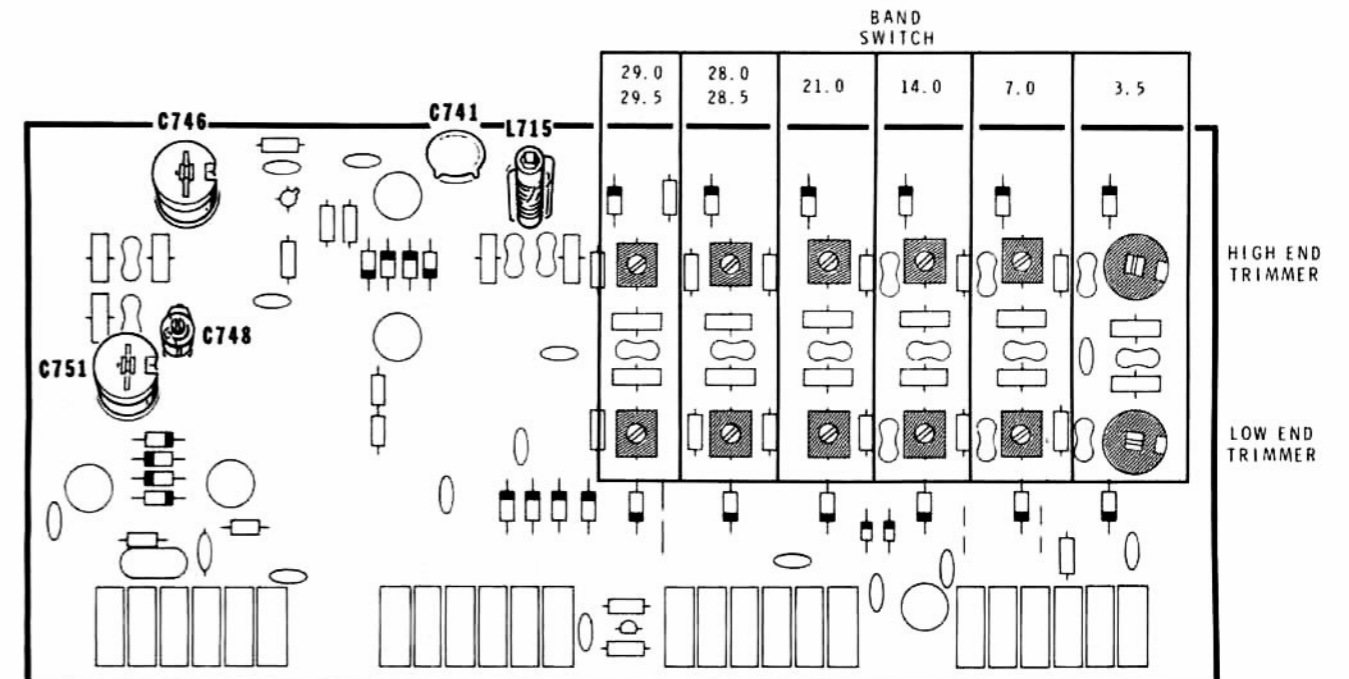


Figure 4-7

CHASSIS CONNECTOR WIRING CHART

This chart specifies the wire identification (color, marking or type) of the wiring to the connectors on the under side of the chassis. It does not specify the source of each wire. Consequently, if all the connections agree with the chart but a wiring error is still suspected, check the connections at both ends of each wire on the assembly Pictorials.

ROW	1	2	3	4	5	6	7	8	9	10	11	12	13	14	15	16	17	18	19	20	21	22	23	24	
A	WHT-ORG	WHT-RED	BLK	WHT-YEL	WHT-ORG	WHT-RED	BRN	WHT-YEL	WHT-ORG	WHT-RED	YEL	WHT-YEL	WHT-ORG	WHT-RED	GRN	WHT-YEL	WHT-ORG	WHT-RED	BLU	WHT-YEL	2 ORG	WHT-VIOL-VIOL	VIOL	WHT-VIOL	
B	RESISTOR 2 RED	2 ORG	GRAY	RESISTOR 2 ORG	GRAY	2 GRAY GRN	GRAY	BLU	YEL	BLK	#13	WHT-BLK	#8	WHT 2 WHT-ORG GRAY	#9	#11	#14	#12	#15	#16	GRAY	2 GND	2 BRN	WHT	
C	2 RED	2 GND .1 μF	COAX	WHT-ORG .1 μF	WHT-YEL .01 μF	WHT-GRN .1 μF	GRAY 10 μF	WHT- VIOL-VIOL GRAY	3 GND	2 COAX	2 VIOL	GRAY	3 RED 4 RED*	GRAY	GRAY WHT- GRN-BRN	WHT- BRN-BRN GRAY	WHT-BRN GRAY	BRN GRAY	GRN GRAY	BLU GRAY	YEL GRAY	2 GRAY	2 GND	#5	
D	3 RED	COAX	2 GND	GRAY RESISTOR	2 GND	COAX	GRAY WHT- GRN-BRN	WHT- BRN-BRN GRAY	WHT-BRN GRAY	BRN	GRN GRAY	WHT- VIOL-VIOL GRAY	WHT-BLU GRAY	YEL GRAY	2 GRAY .1 μF	GND	GND	GND							
E	COAX	2 GND	GRAY	GRAY	GRAY	COAX	GRAY	GND	2 GRAY	2 GRAY	3 GRAY	COAX	GRAY	GRAY	WHT-YEL	WHT- VIOL-VIOL WHT-GRN	GRAY WHT-ORG	GRAY	COAX	RED	GRAY	2 GND	GRAY	#13	
F	COAX	2 GND	2 RED	NC	VIOL	GND	2 GRAY	YEL .01 μF	WHT- GRAY-GRAY	WHT- RED-RED	COAX	2 GND	2 GND .001	COAX	#6 #17 .001	#7	3 RED	2 GND	3 ORG	GND	#2 #4	GND	3 GND	GND	
G	COAX	2 ORG	3 GND	#3 COAX RESISTOR	2 GND	COAX	GRN	BRN	WHT-BRN	WHT- BRN-BRN	WHT- GRN-BRN	GND	GRAY	2 RED	YEL GRAY	GND	WHT- VIOL-VIOL	WHT-BLU	GND .1 μF	YEL	GRAY .1 μF	GRAY	2 GND	COAX	
H	ORG GRAY	2 GND	2 COAX	GND	2 RED 50 μF	2 RED ORG																			
J	ORG 500 μF	#5	GND 47 μF	GRAY 47 μF	BLK	WHT-BLK																			
K	GND	GND	ORG	WHT	GRAY	WHT-GRN																			
L*	COAX	GND GRAY	RED	GND 2 GRAY	COAX	RED																			

*NOISE BLANKER

EXAMPLE :

	7	8	9	10	11	12
R	2 WHT	BLU WHT- RED-RED	#2	#3 COAX	2 GND 47 μF	GRAY ORG

- R7 = 2 white wires.
- R8 = 1 blue wire, and 1 white-red-red wire.
- R9 = 1 coax marked "2".
- R10 = 1 coax marked "3", and 1 unmarked coax.
- R11 = 2 ground connections, negative terminal of a polarized capacitor.
- R12 = 1 gray wire and 1 orange wire.