

INSTRUCTION MANUAL
FOR
MODEL JST-100 HF TRANSCEIVER



Japan Radio Co., Ltd.

CHAPTER 7

BLOCKDIAGRAM AND CIRCUIT DIAGRAMS

FIGURE 7.1	BLOCK DIAGRAM
FIGURE 7.2	CFL-175 BPF UNIT CIRCUIT DIAGRAM
FIGURE 7.3	CAF-180 RF AMP UNIT CIRCUIT DIAGRAM
FIGURE 7.4	CAE-137 IF AMP UNIT CIRCUIT DIAGRAM
FIGURE 7.5	CAB-259 AF AMP UNIT CIRCUIT DIAGRAM
FIGURE 7.6	CAH-157 100W PA UNIT CIRCUIT DIAGRAM
FIGURE 7.7	CAH-158 10W PA UNIT CIRCUIT DIAGRAM
FIGURE 7.8	CMB-63 OUTPUT UNIT CIRCUIT DIAGRAM
FIGURE 7.9	CGA-94 LOOP 1 UNIT CIRCUIT DIAGRAM (1/2)
FIGURE 7.10	CGA-94 LOOP 1 UNIT CIRCUIT DIAGRAM (2/2)
FIGURE 7.11	CGA-95 LOOP 2 UNIT CIRCUIT DIAGRAM
FIGURE 7.12	CGD-76 BFO UNIT CIRCUIT DIAGRAM
FIGURE 7.13	CDC-236 CPU UNIT CIRCUIT DIAGRAM
FIGURE 7.14	CFQ-1168 FRONT PANEL CIRCUIT DIAGRAM
FIGURE 7.15	CWB-232 MOTHER BOARD CIRCUIT DIAGRAM

Circuit and components subject to change for an improvement without notice.

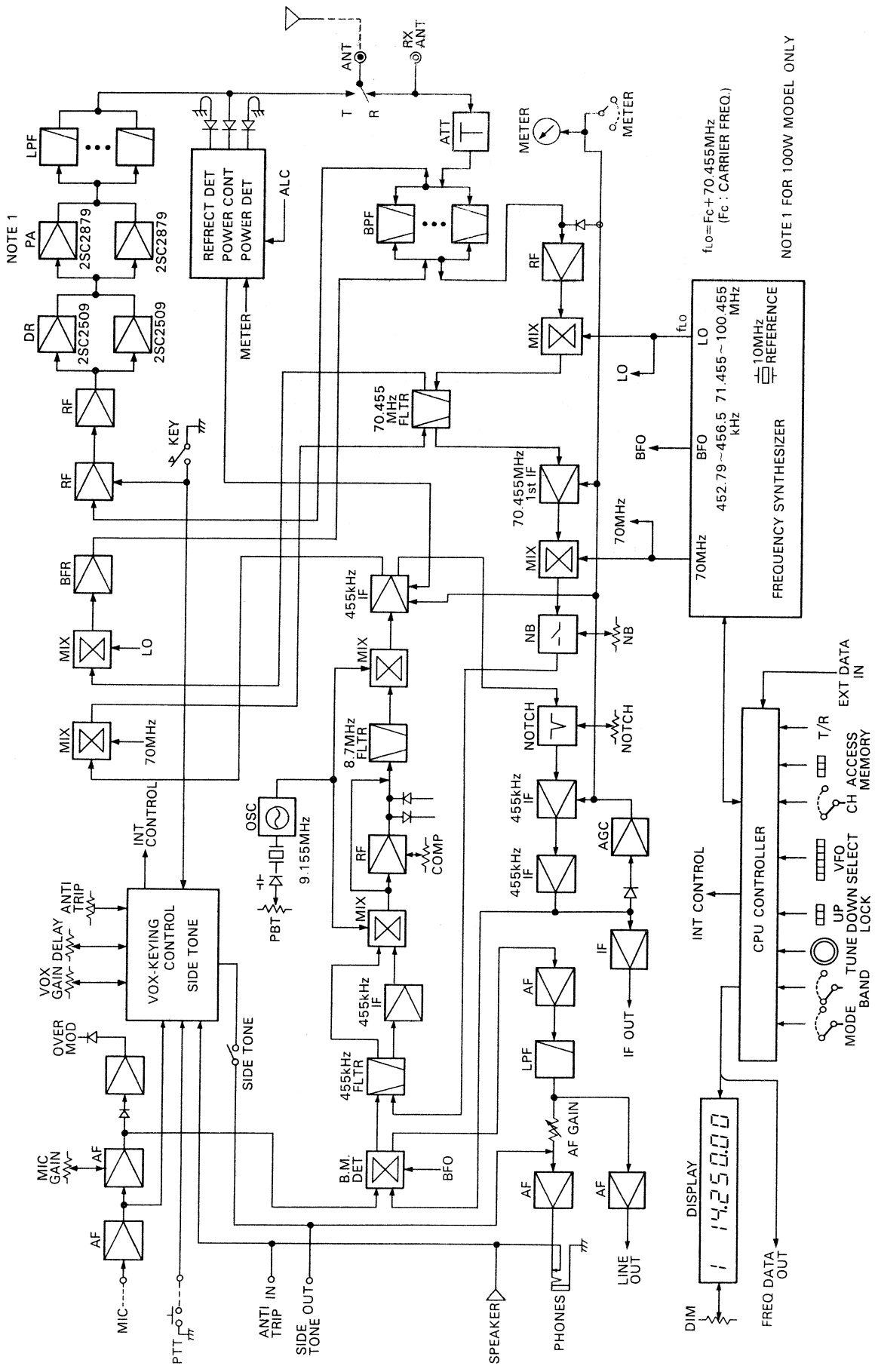


FIGURE 7.1 BLOCK DIAGRAM

FIGURE 7.2 CFL-175 BPF UNIT CIRCUIT DIAGRAM

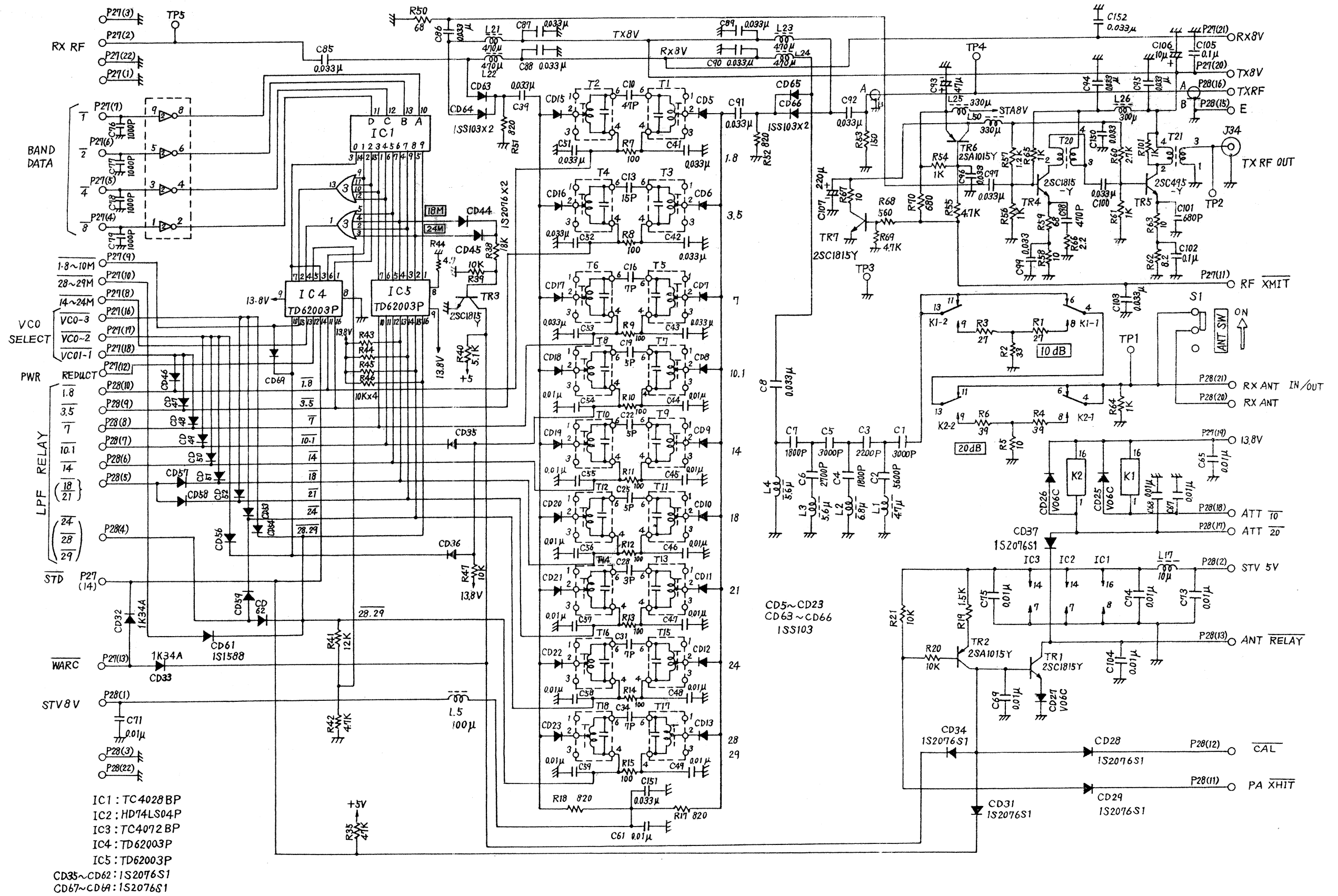


FIGURE 7.3 CAF-180 RF AMP UNIT CIRCUIT DIAGRAM

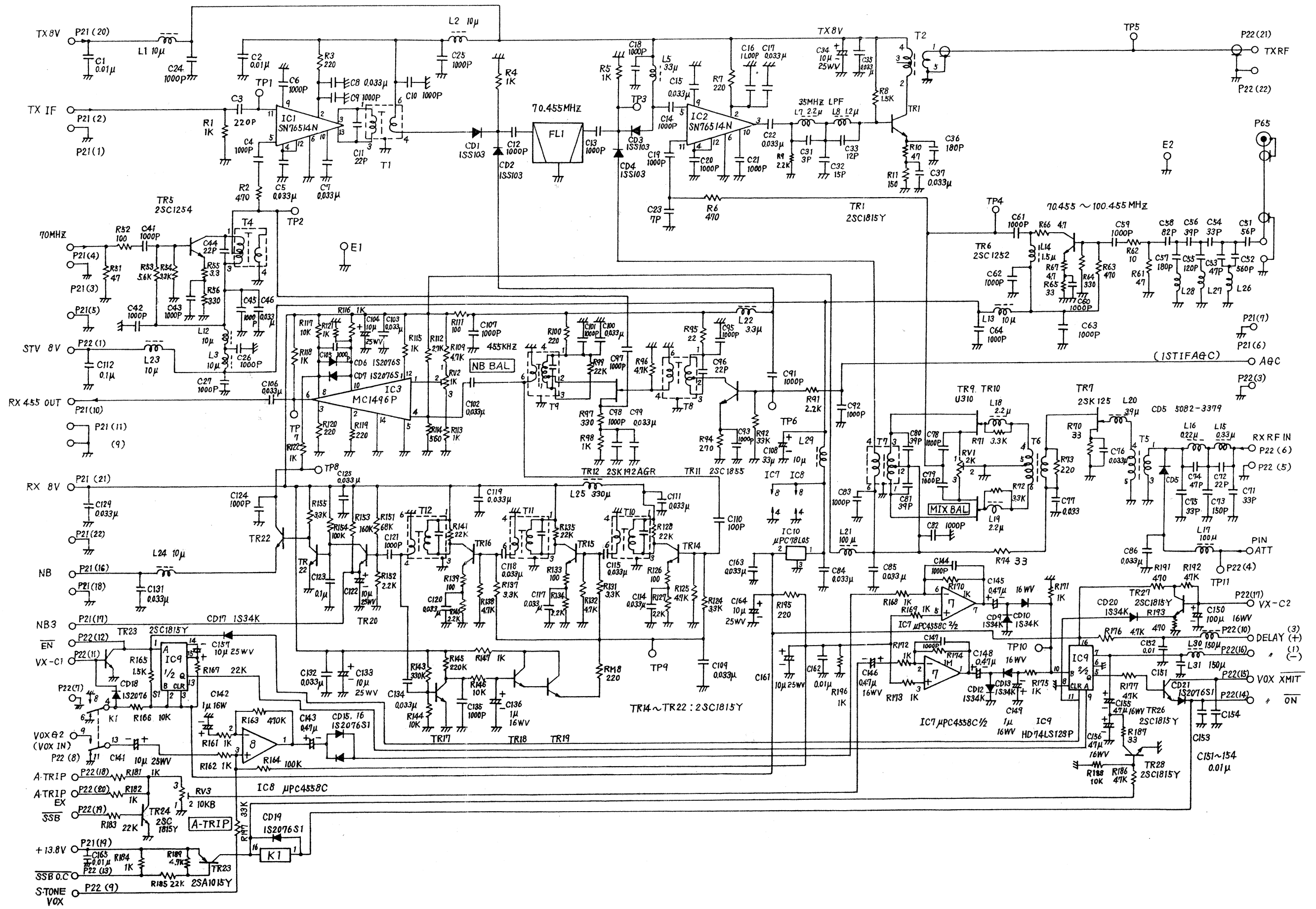
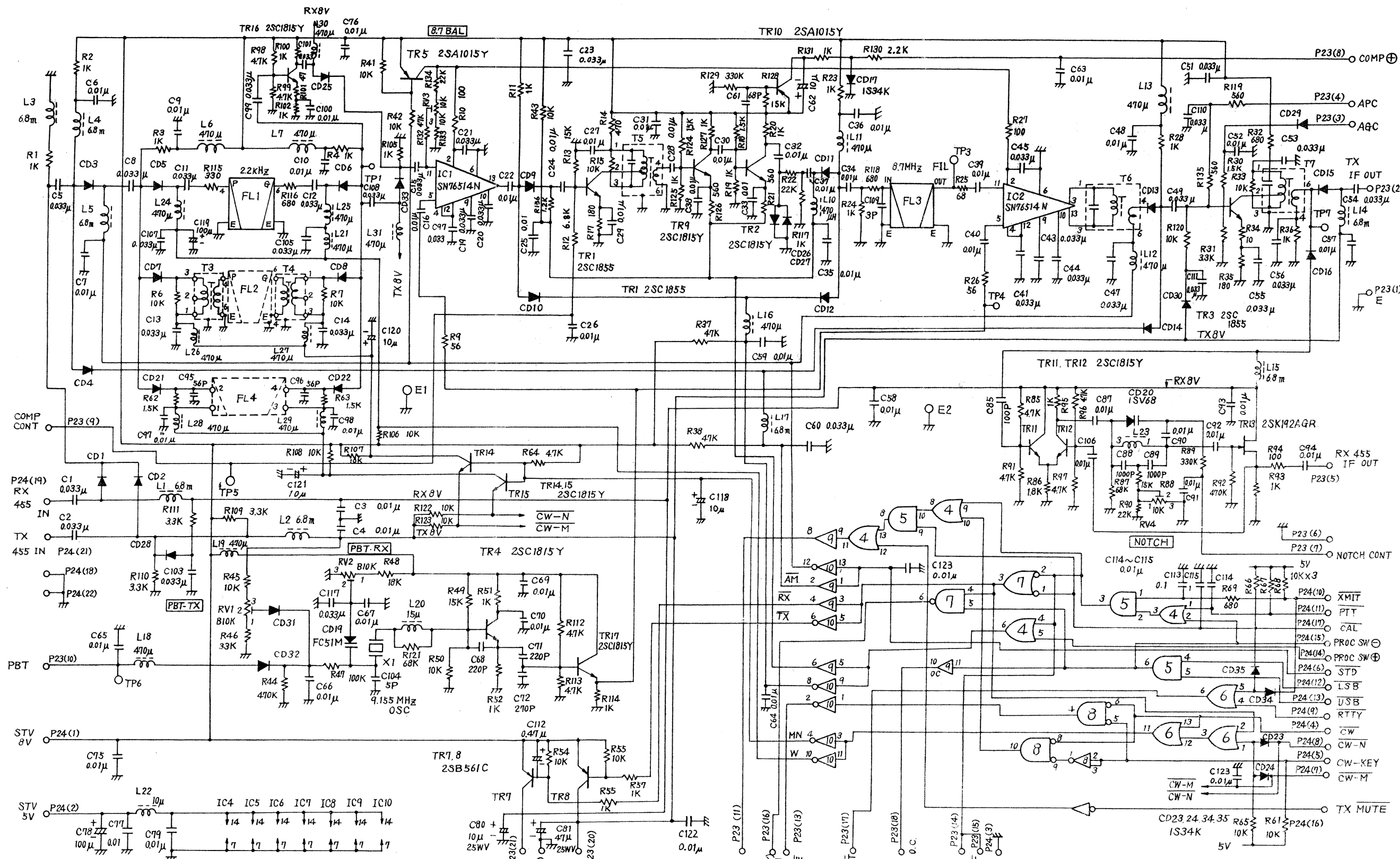


FIGURE 7.4 CAE-137 IF AMP UNIT CIRCUIT DIAGRAM



- IC4 : HD74LS32P
- IC5 : " LS08P
- IC6 : " LS32P
- IC7 : " LS00P
- IC8 : HD74LS02P
- IC9 : HD7417P
- IC10 : HD7416P

FIGURE 7.5 CAB-259 AF AMP UNIT CIRCUIT DIAGRAM

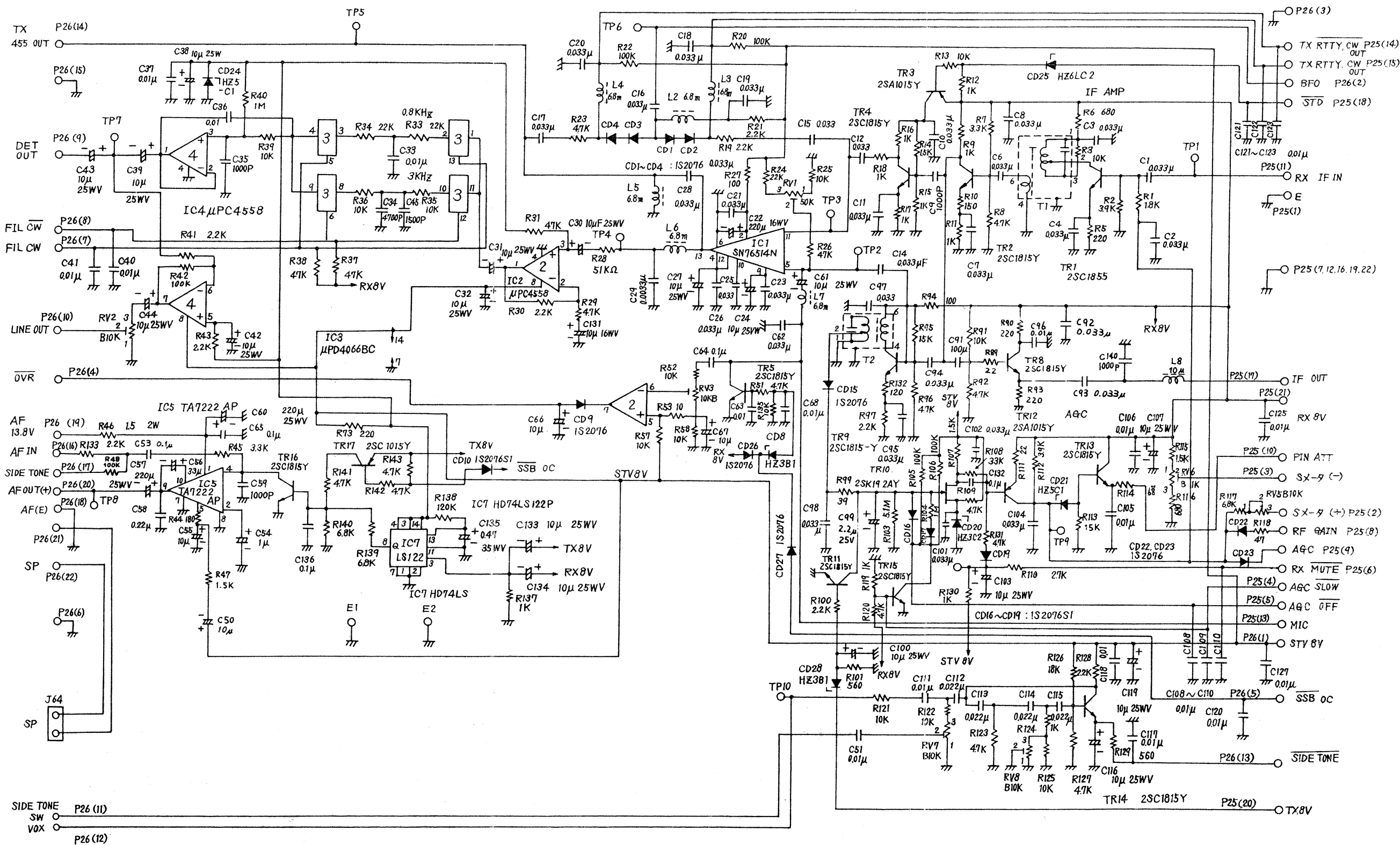


FIGURE 7.6 CAH-157 100W PA UNIT CIRCUIT DIAGRAM

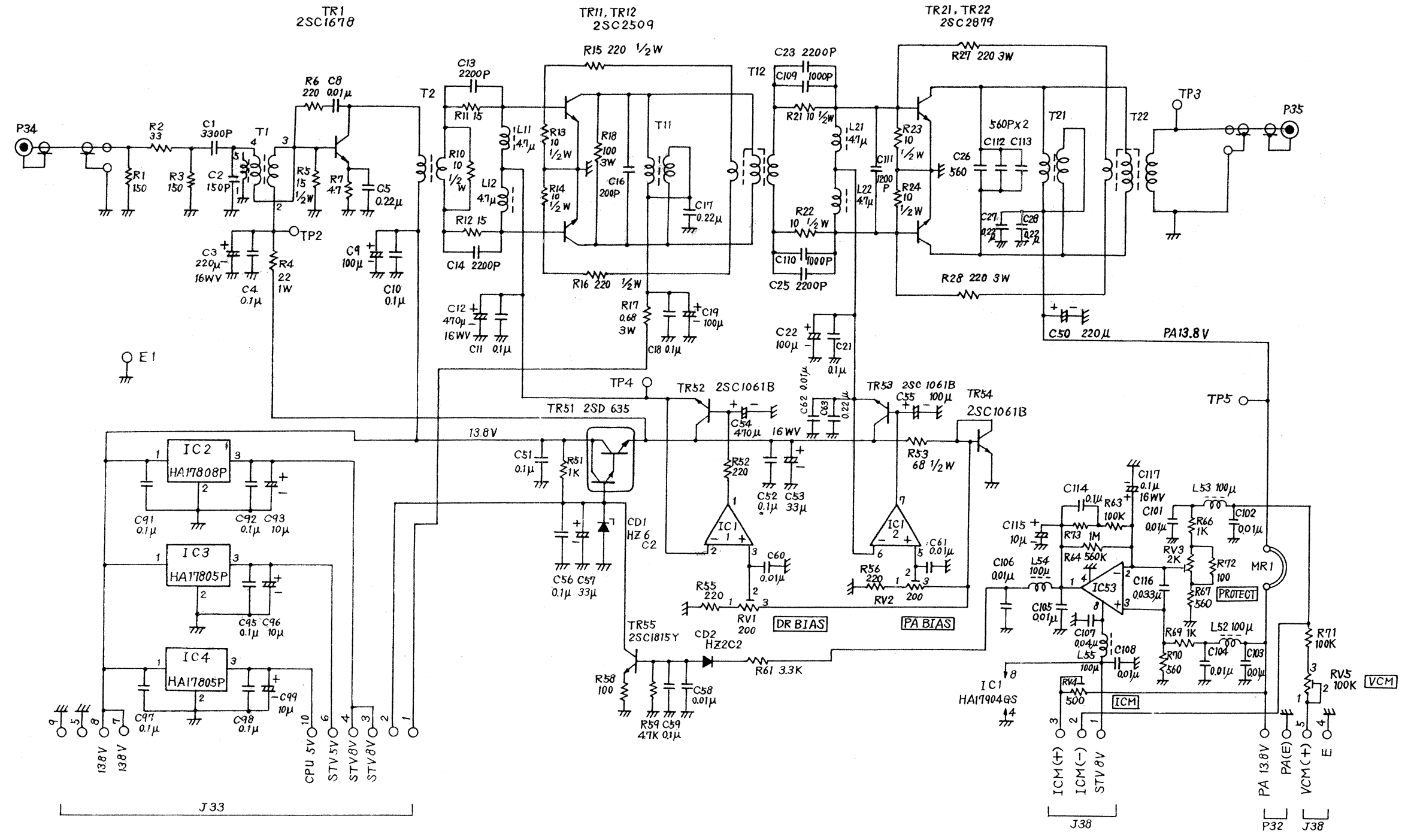
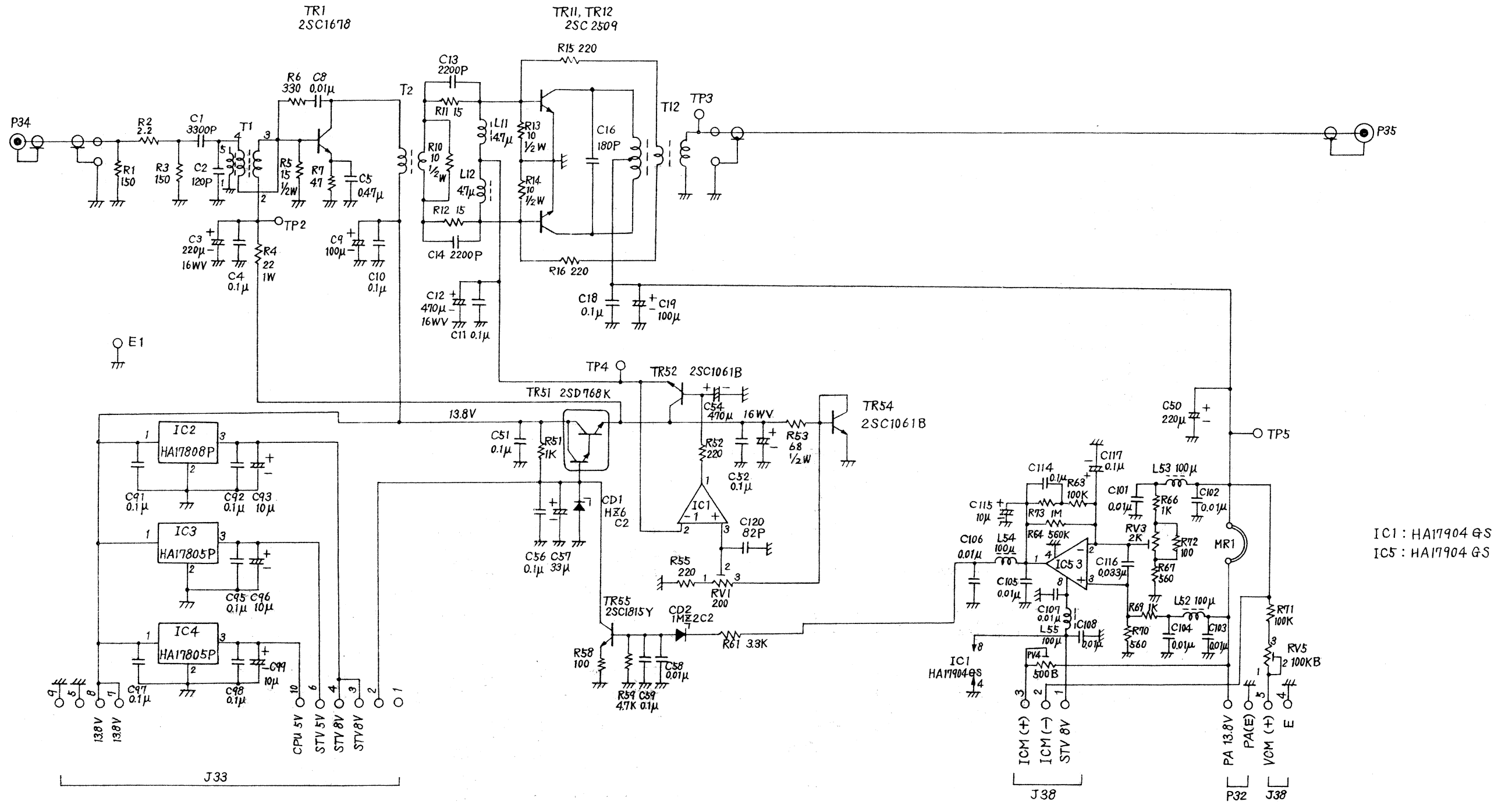
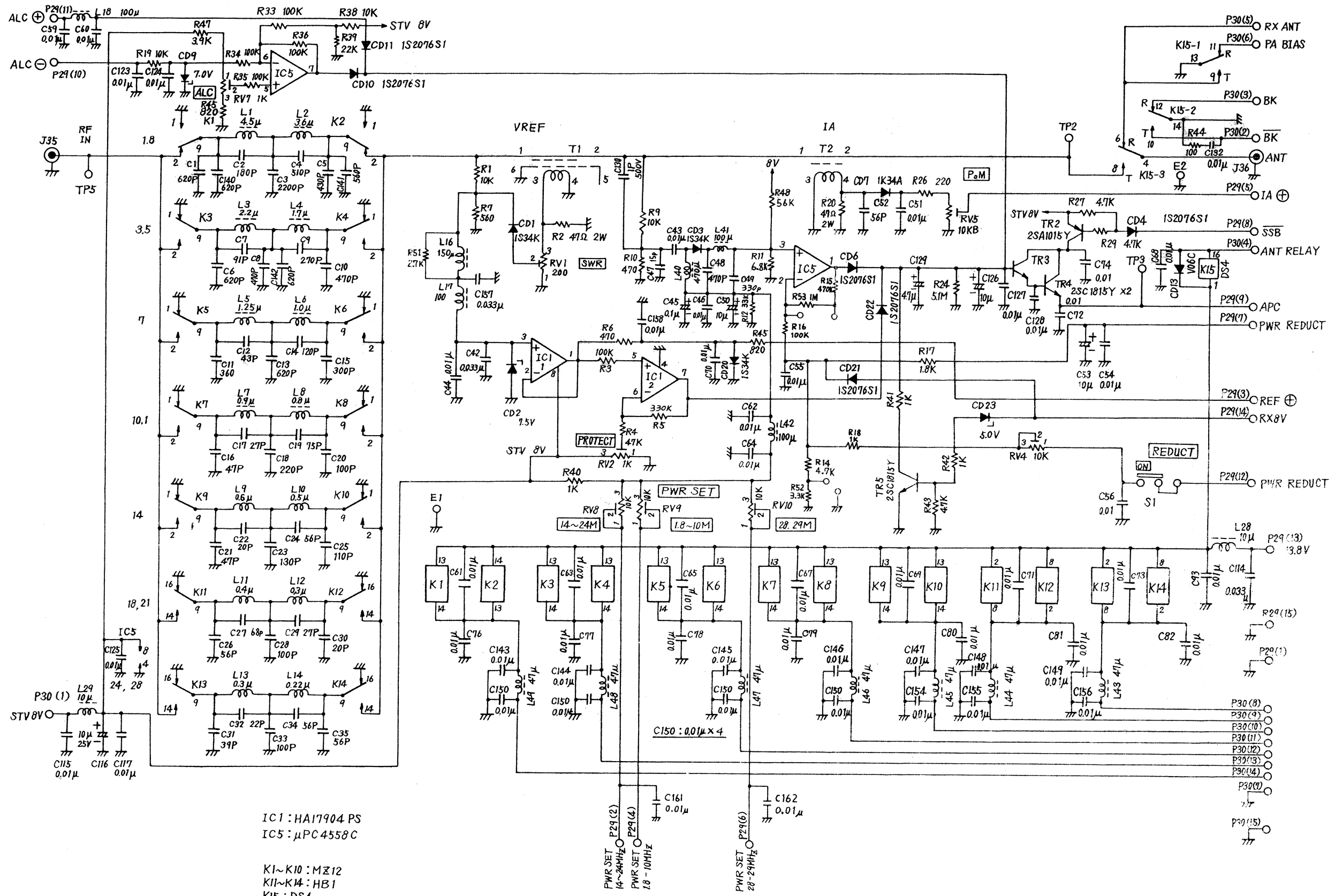


FIGURE 7.7 CAH-158 10W PA UNIT CIRCUIT DIAGRAM





IC1 : HA17904 PS
 IC5 : μ PC4558C

K1~K10 : MZ12
 K11~K14 : HB1
 K15 : DS4

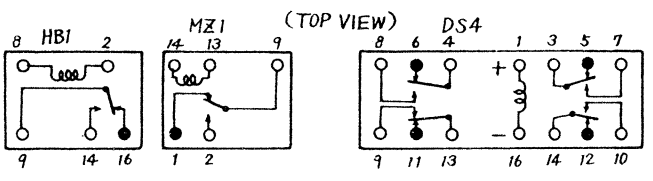
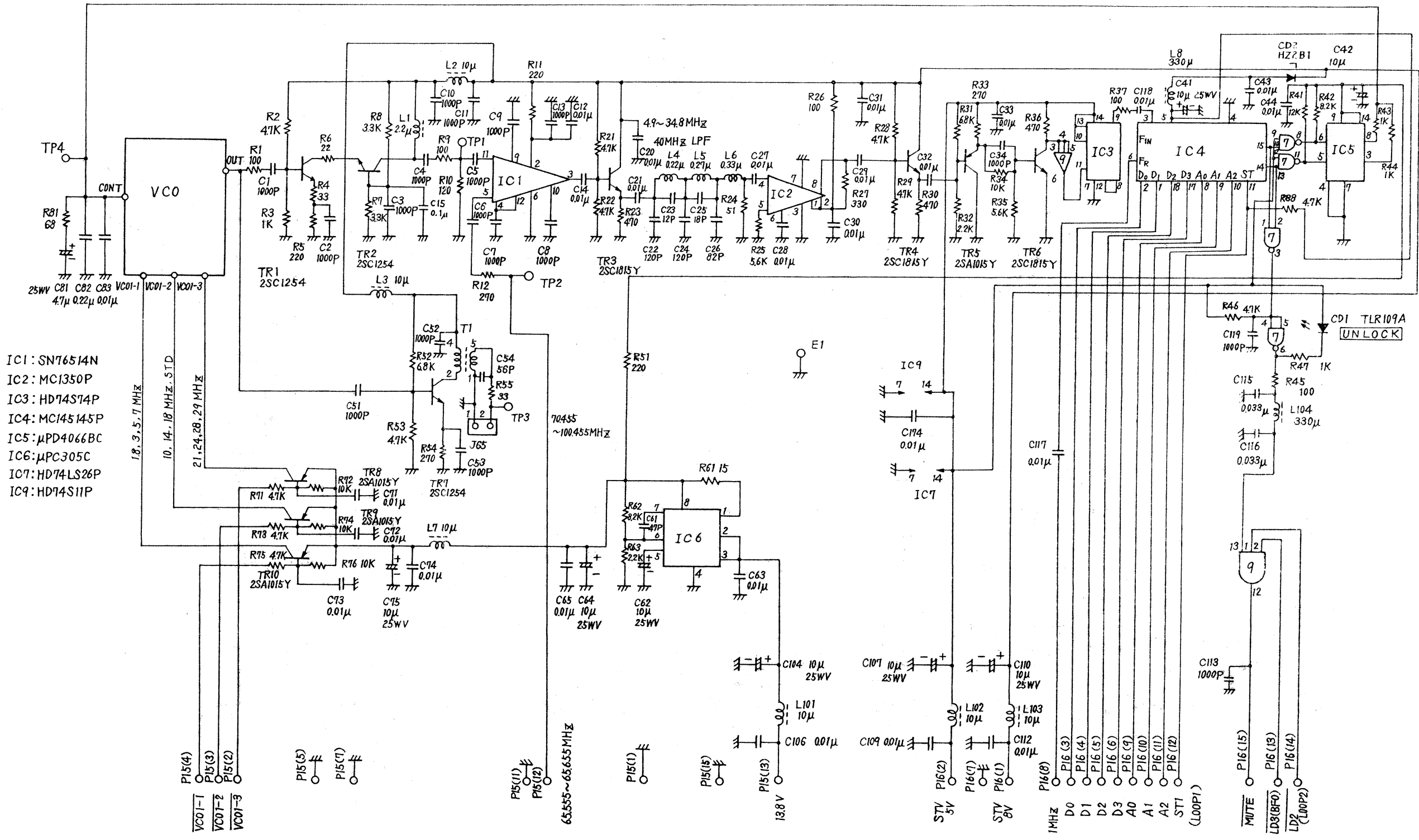


FIGURE 7.8 CMB-63 OUTPUT UNIT CIRCUIT DIAGRAM

FIGURE 7.9 CGA-94 LOOP 1 UNIT CIRCUIT DIAGRAM (1/2)



- IC1: SN76514N
- IC2: MC1350P
- IC3: HD74S74P
- IC4: MC145145P
- IC5: μPD4066BC
- IC6: μPC305C
- IC7: HD74LS26P
- IC9: HD74S11P

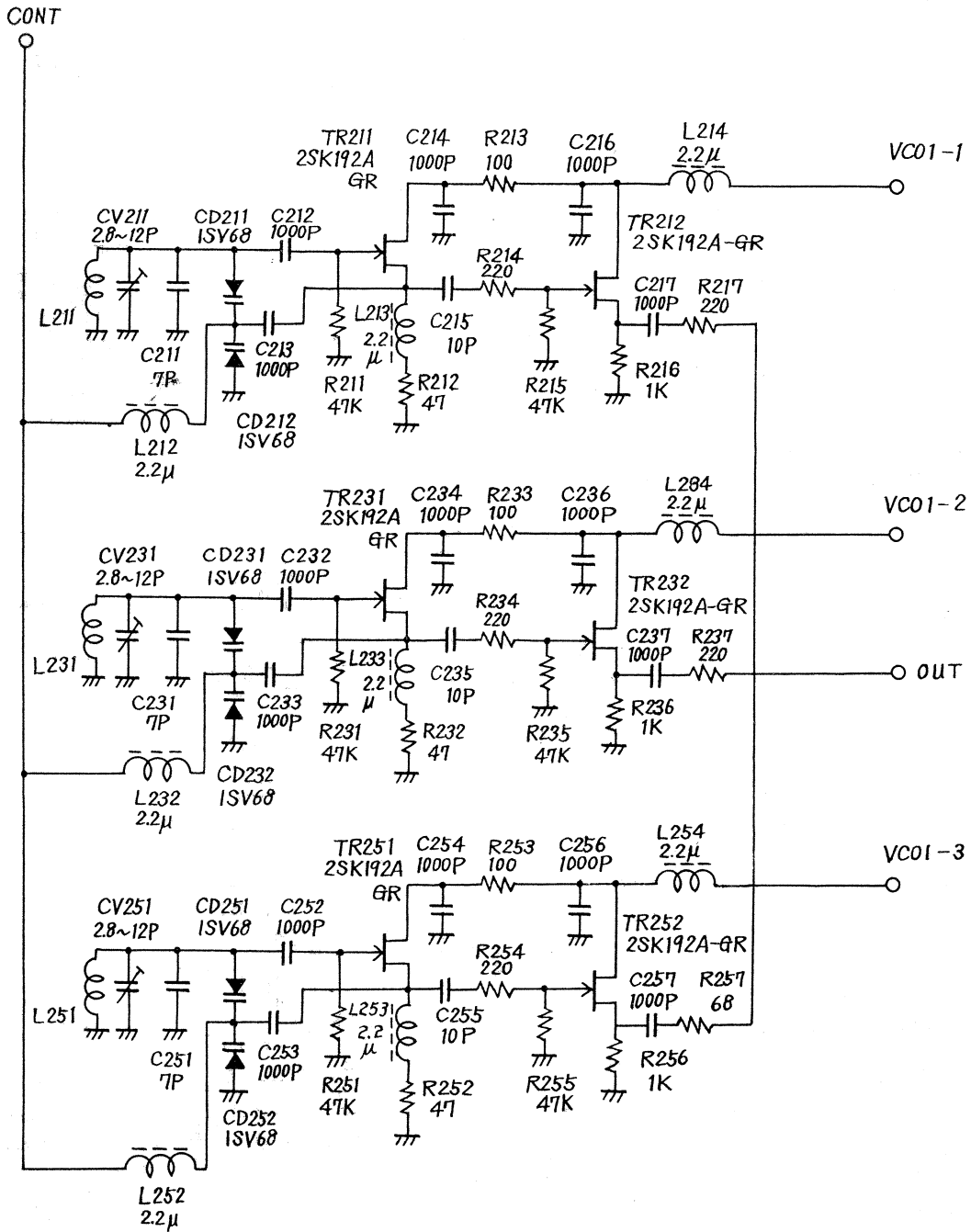


FIGURE 7.10 CGA-94 LOOP 1 UNIT CIRCUIT DIAGRAM (2/2)

FIGURE 7.11 CGA-95 LOOP 2 UNIT CIRCUIT DIAGRAM

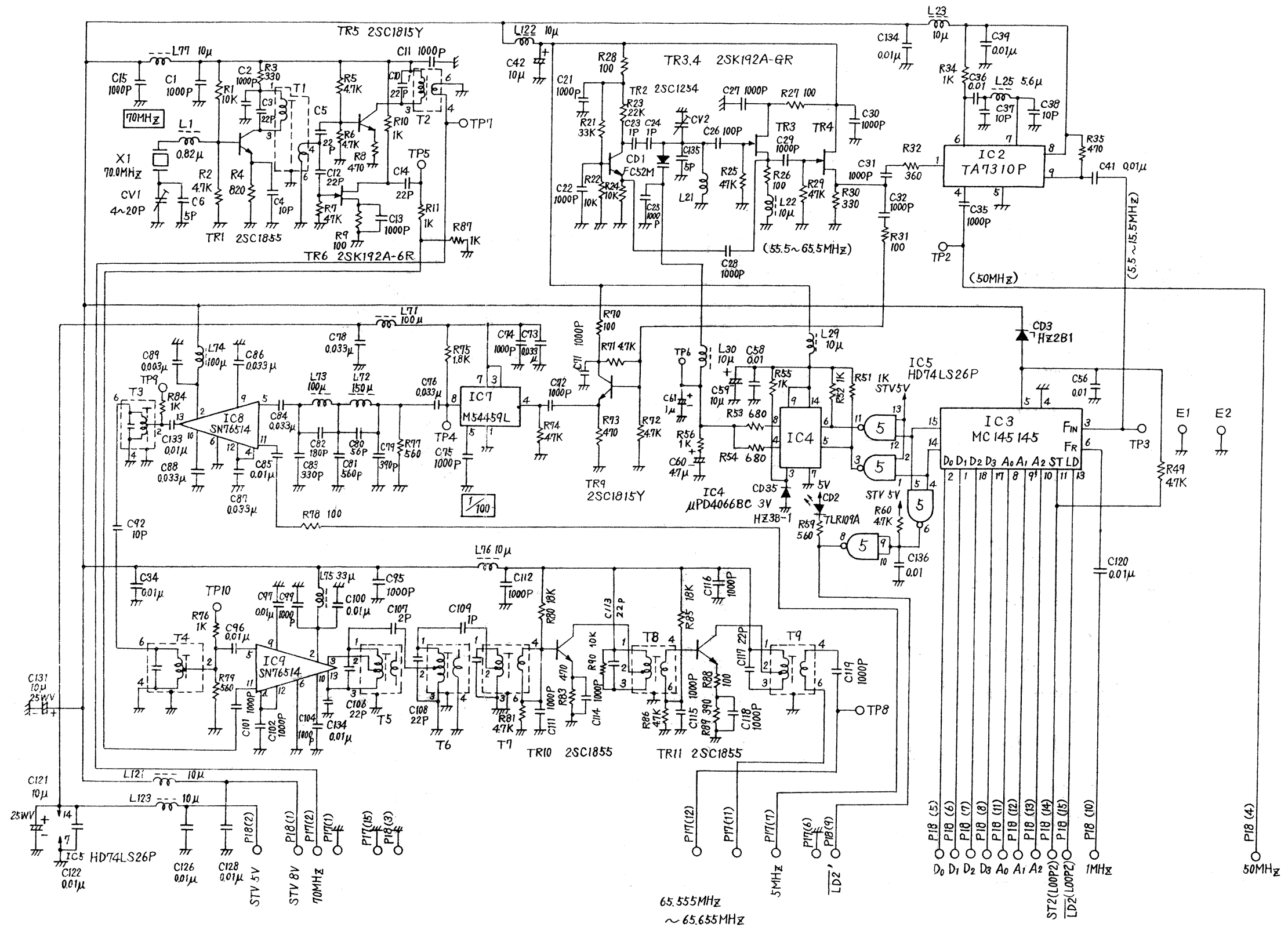


FIGURE 7.12 CGD-76 BFO UNIT CIRCUIT DIAGRAM

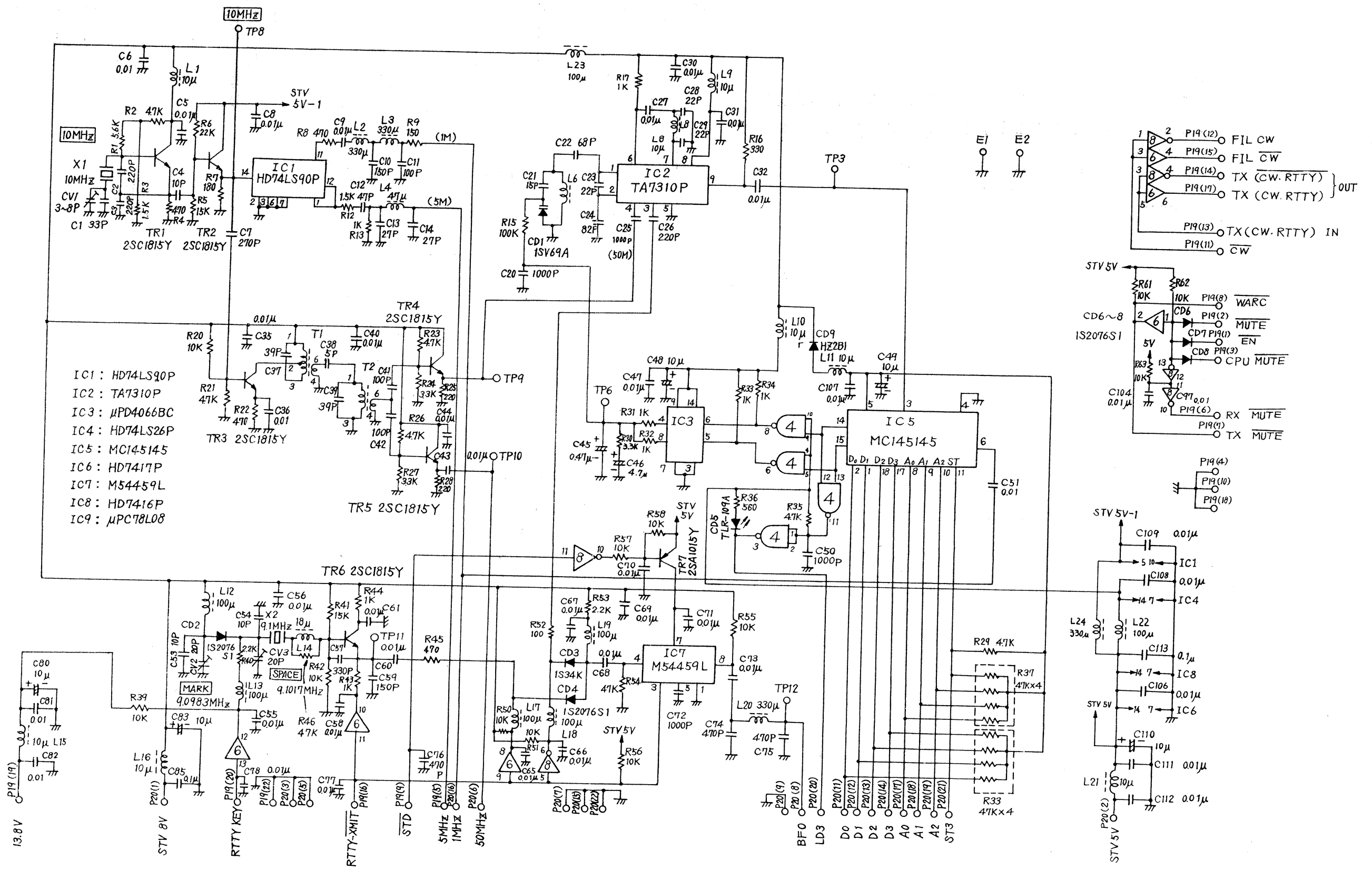
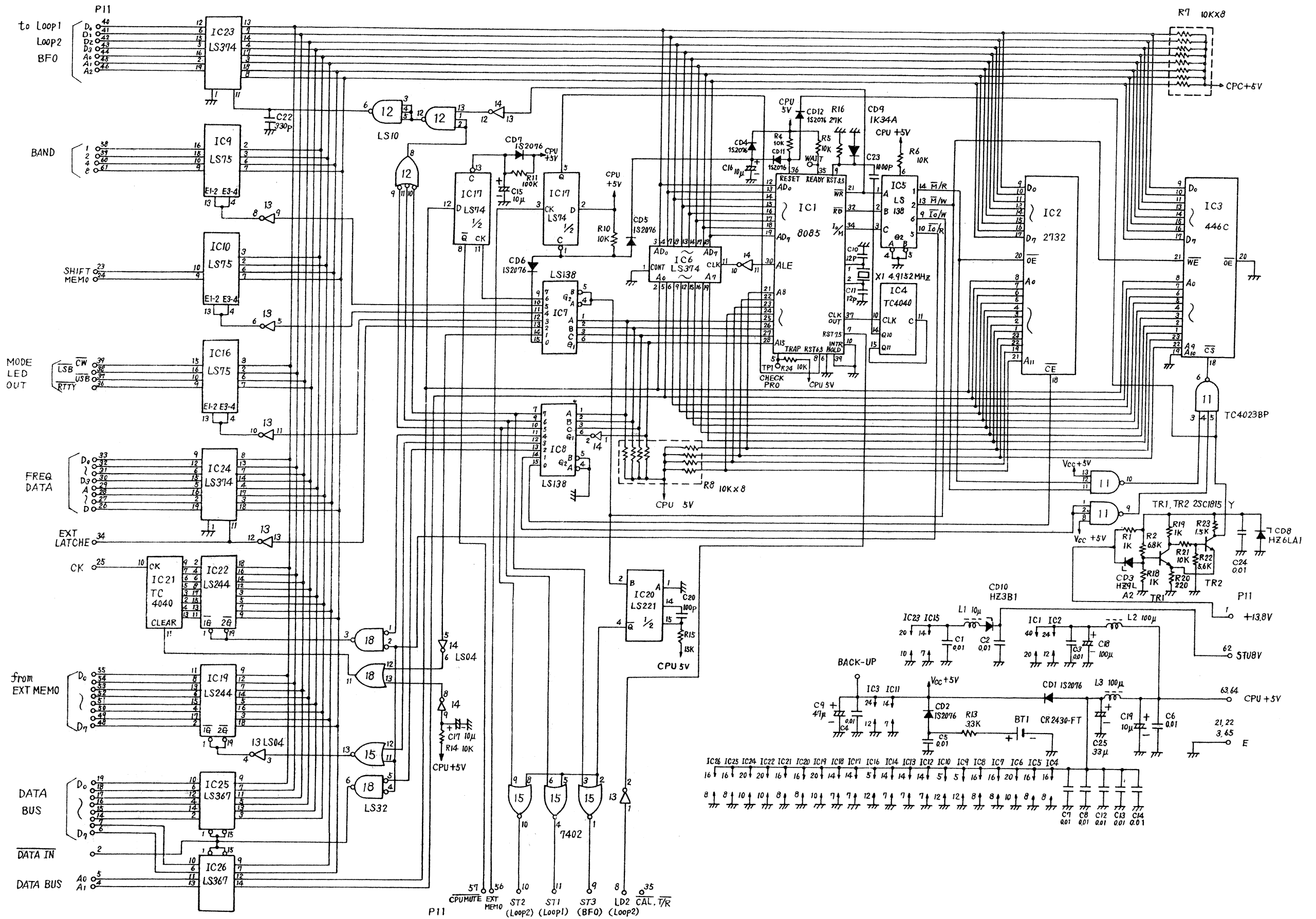
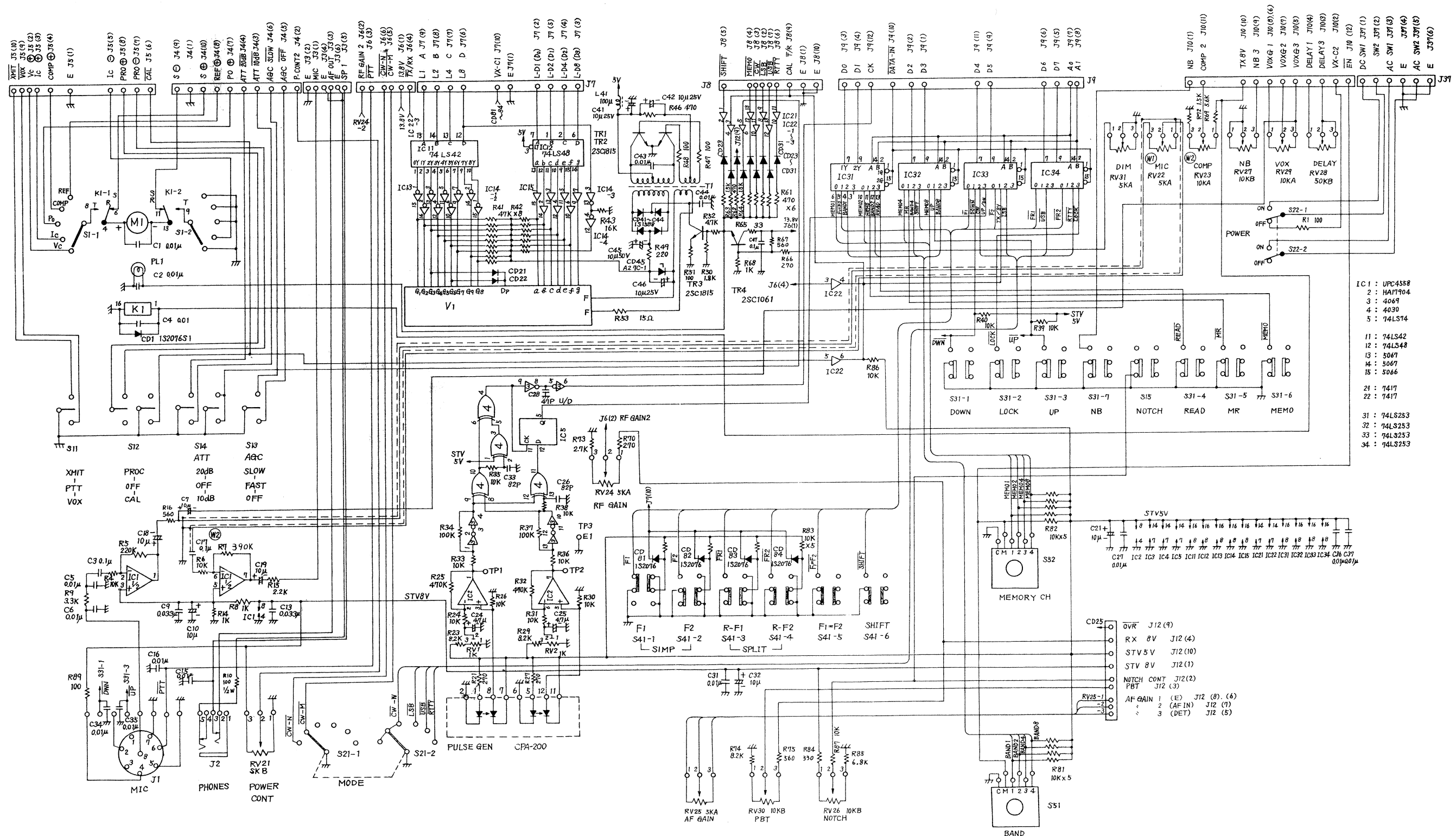


FIGURE 7.13 CDC-236 CPU UNIT CIRCUIT DIAGRAM





- IC 1 : UPC4558
- 2 : HA17904
- 3 : 4069
- 4 : 4030
- 5 : 74LS74
- 11 : 74LS42
- 12 : 74LS48
- 13 : 5067
- 14 : 5067
- 15 : 5066
- 21 : 7417
- 22 : 7417
- 31 : 74LS253
- 32 : 74LS253
- 33 : 74LS253
- 34 : 74LS253

FIGURE 7.14 CFQ-1168 FRONT PANEL CIRCUIT DIAGRAM

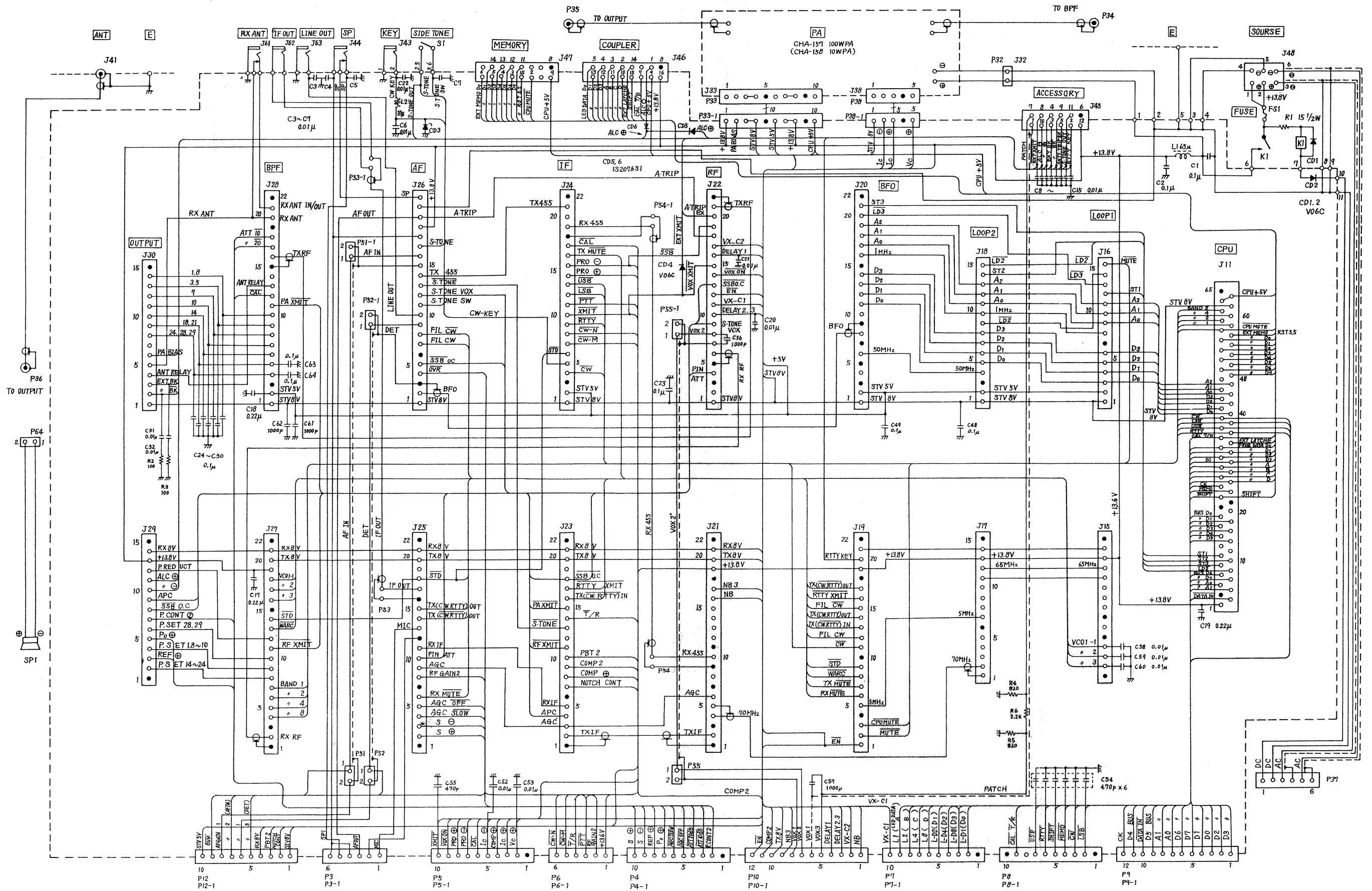


FIGURE 7.15 CWB-232 MOTHER BOARD CIRCUIT DIAGRAM