

NSD-515
TRANSMITTER

XMIT OVER MOD PROC EXT VFO
14.250.0
MHz kHz

VOX GAIN ANTI TRIP DELAY
VFO VOX PROC POWER
EXT INT
OFF OFF OFF

JRC

METER
Vc Ic POWER REF

TUNE

UP

ΔF COMP LEVEL MODE
CW USB LSB
RTTY

MIC GAIN KEY

F CAL PTT XMIT

POWER CONT

MIC 1.8 3.5 7 10 14 18 21

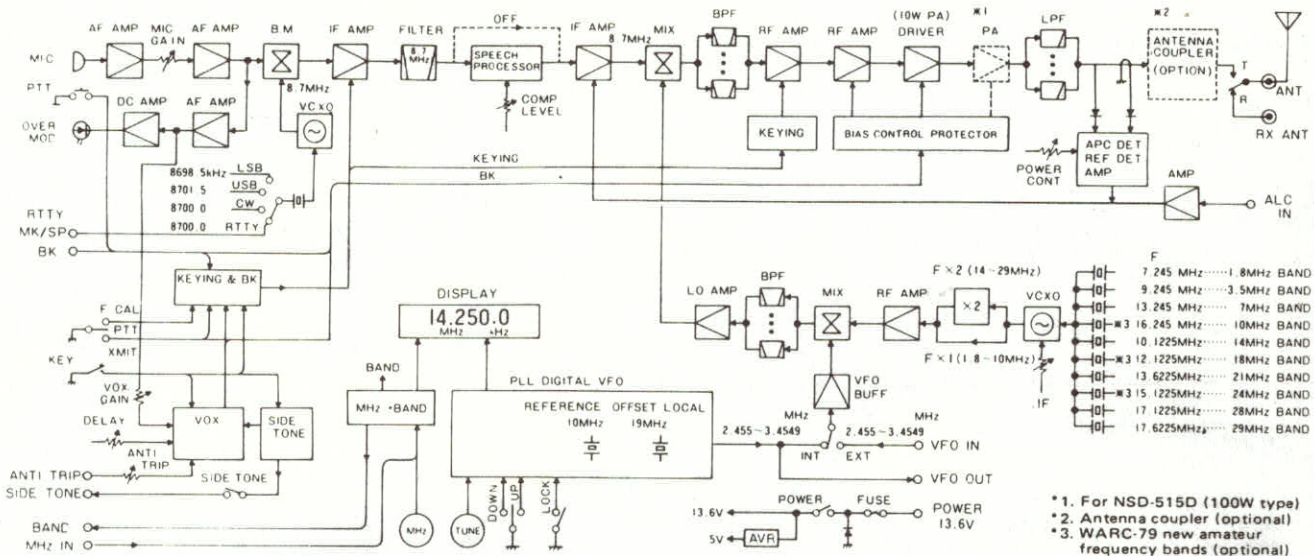
REMOTE

JRC

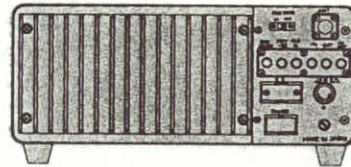
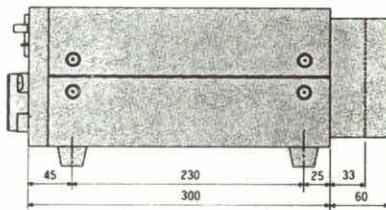
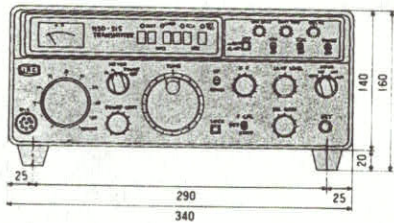
Japan Radio Co.,

PLL-SYNTHESIZED AMATEUR RADIO TRANSMITTER

NSD-515



DIMENSIONS (mm)



A dotted line defines the depth of the 10W-type NSD-515S.

SPECIFICATIONS

Rated output power:	10W (NSD-515S) 100W (NSD-515D) 50W (28MHz band – internally adjustable to 100W with ease.)	Spurious suppression:	50dB or more	RTTY frequency deviation:	-85Hz (mark); +85Hz (space)
Frequency range:	1.8MHz – 2.0MHz 3.5 – 4.0 7.0 – 7.3 14.0 – 14.35 21.0 – 21.45 28.0 – 29.0 29.0 – 29.7 * 10.1 – 10.15 * 18.068 – 18.168 * 24.89 – 24.99	Third-order intermodulation:	-31dB or less (relative to PEP)	Power supply:	+13.6V DC (negative-grounded) 100/117/220/240V AC with NBD-515 power supply unit (option)
Mode of emission:	A3J (USB/LSB) A1 (CW) F1 (RTTY)	Occupied bandwidth:	A3J: 3 kHz or less A1: 0.5 kHz or less (at 25 bauds)	Power consumption:	NSD-515S: 3A(DC); 80VA(AC) – stand-by 6A(DC); 200VA(AC) – at rated output power NSD-515D: 3A(DC); 80VA(AC) – stand-by 20A(DC); 600VA(AC) – at rated output power
Carrier suppression:	50dB or more (in 1500Hz modulation)	Audio response:	Within 6dB at 400 to 2,600Hz in A3J	Dimensions and weights:	Main unit H140 x W340 x D300mm 10.5kg (NSD-515S); 11.5kg (NSD-515D) Power supply unit NBD-515 (option) H140 x W200 x D240mm, 10.5kg
Undesired sideband suppression:	50dB or more (in 1500Hz modulation)	Frequency stability:	Within ±500Hz in 5 to 60 min. after power-on Within ±50Hz per hour in more than 60 min. after power-on		
		Antenna impedance:	50Ω unbalanced (matching is available up to VSWR = 1 : 3 in use of CFG-515.)		
		Microphone input impedance:	600Ω		
		Microphone input level:	-60dB to -20dB for rated output power		
		VFO output:	0.2V or more		
		VFO input:	0.1V or more		

• The specifications and design subject to change for improvement without notice.



Loudspeaker NVA-515 Receiver NRD-515 with memory unit NDH-515

Transmitter NSD-515

Power Supply Unit NBD-515

Downloaded by RadioManual.EU