

FIGURE-4.1  
PC101, 1ST I.F. MODULE

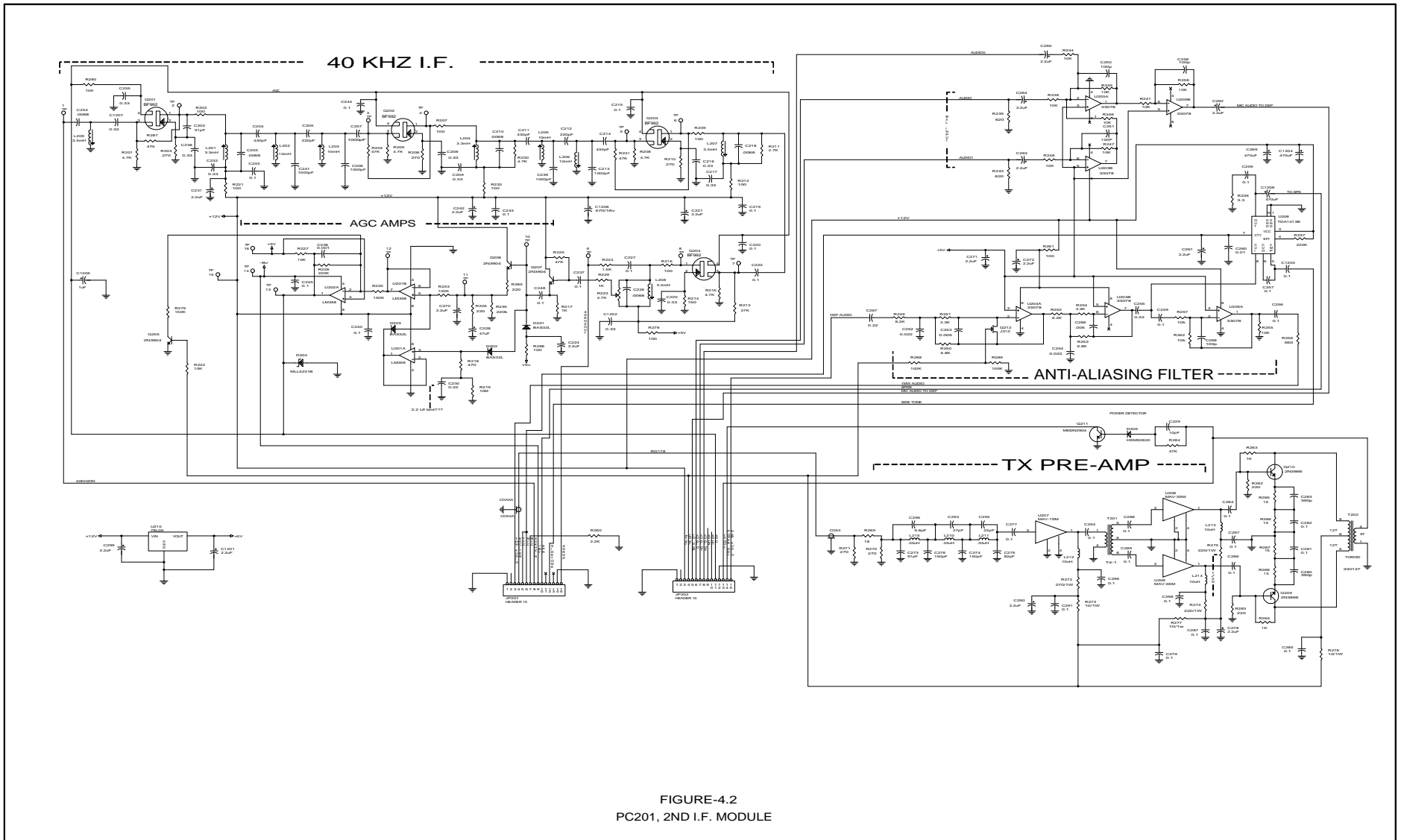
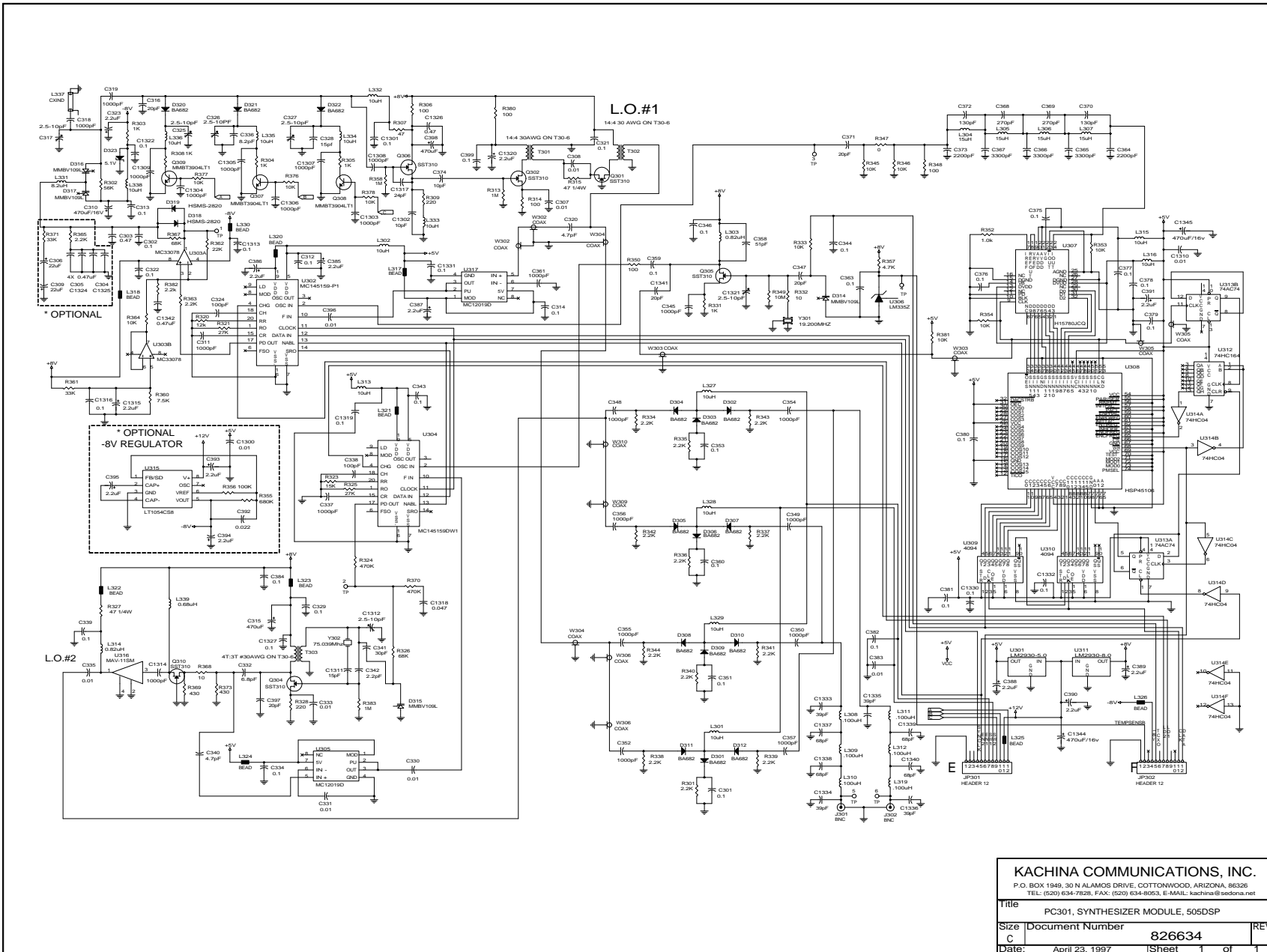
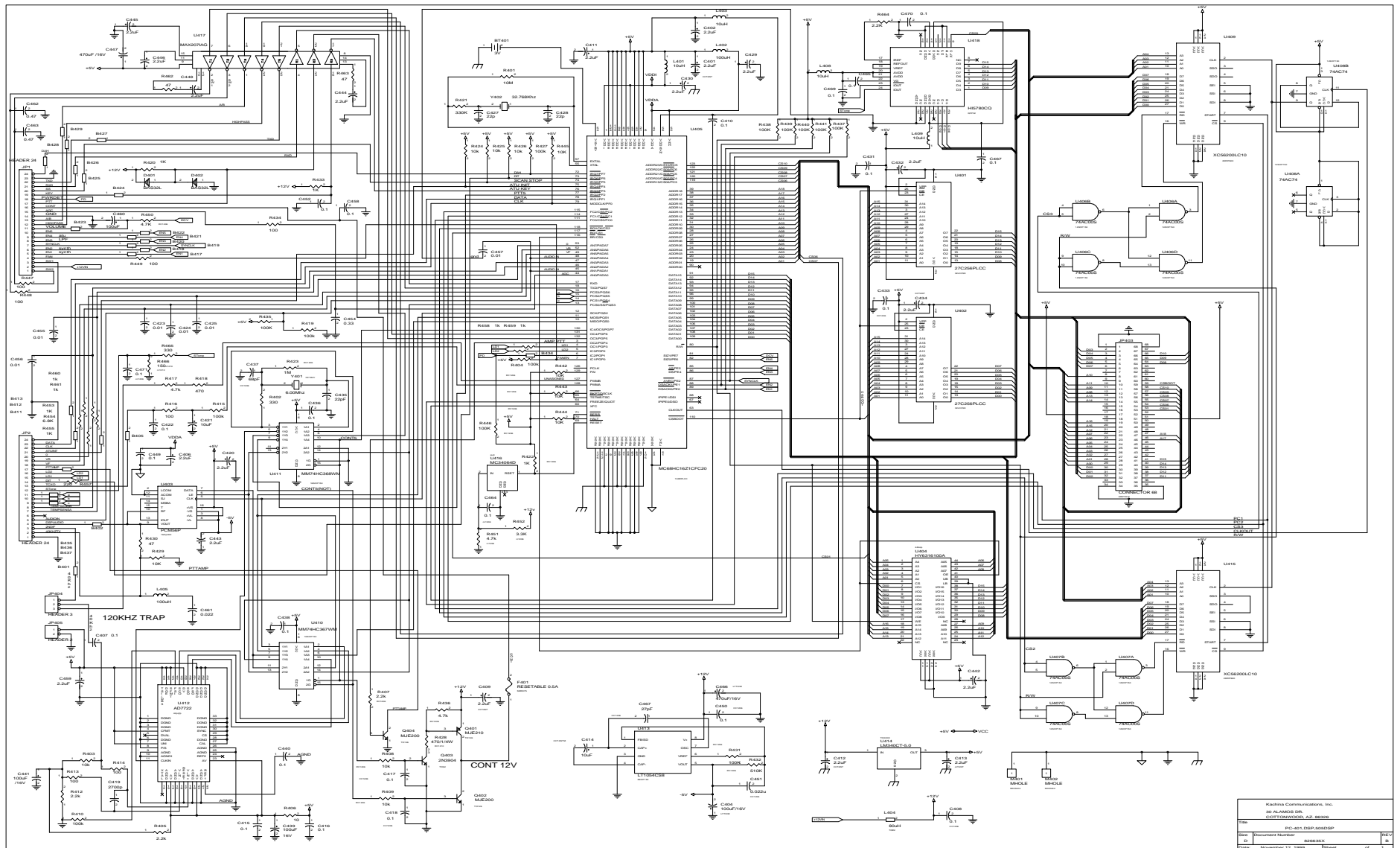


FIGURE-4.2  
PC201, 2ND I.F. MODULE



KACHINA COMMUNICATIONS, INC.  
 P.O. BOX 1949, 30 N ALAMOS DRIVE, COTTONWOOD, ARIZONA, 85326  
 TEL: (602) 634-7828, FAX: (602) 634-8653, E-MAIL: kachina@sedona.net

Title			
PC301, SYNTHESIZER MODULE, 505DSP			
Size	Document Number		REV
C	826634		
Date:	April 23, 1997	Sheet	1 of 1



Radco Communications, Inc.	
30 ALARMS DC DIFFERENTIAL ALARM	
REV:	100-983-000-000-000
REV:	100-983-000-000-000
REV:	100-983-000-000-000

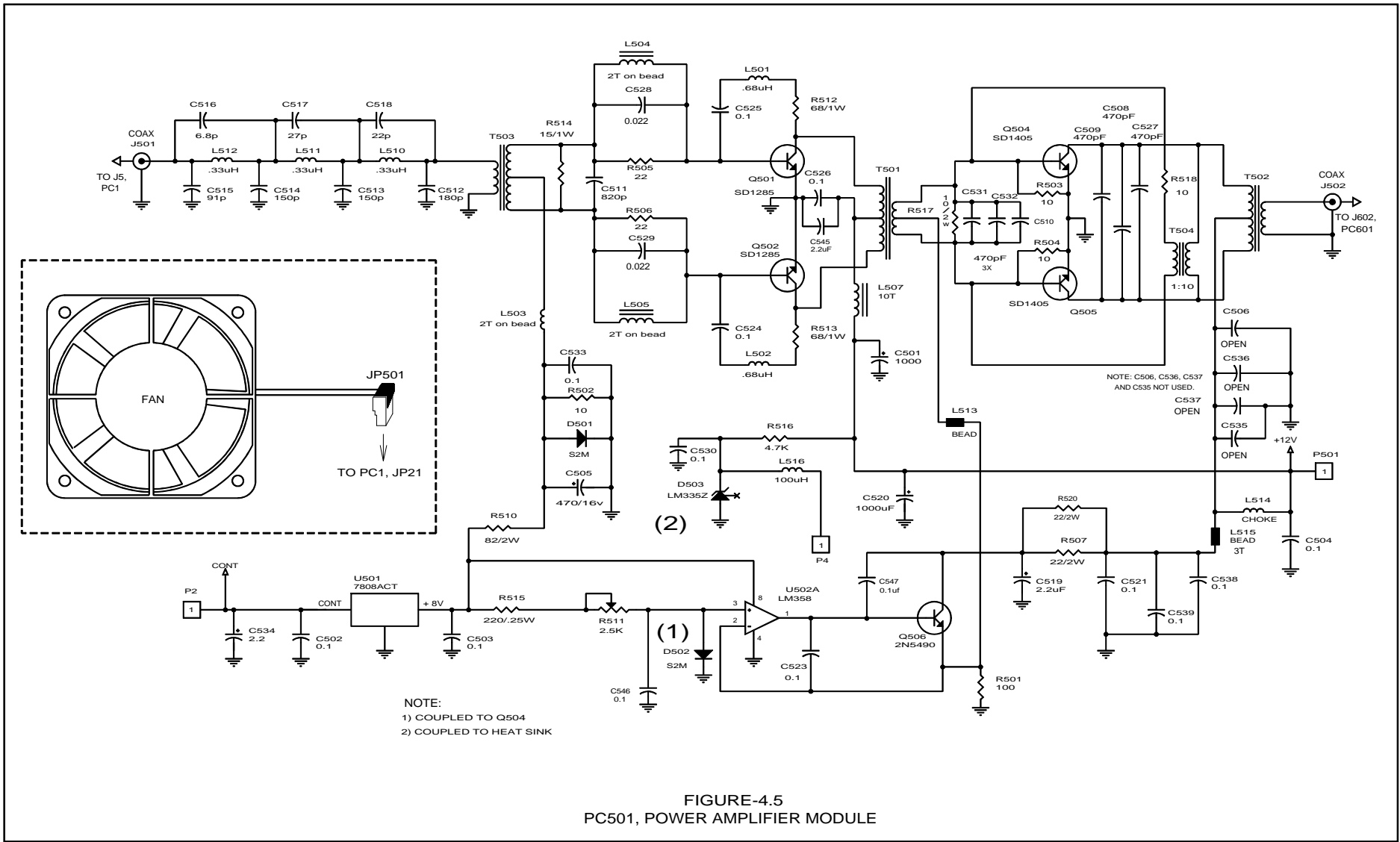
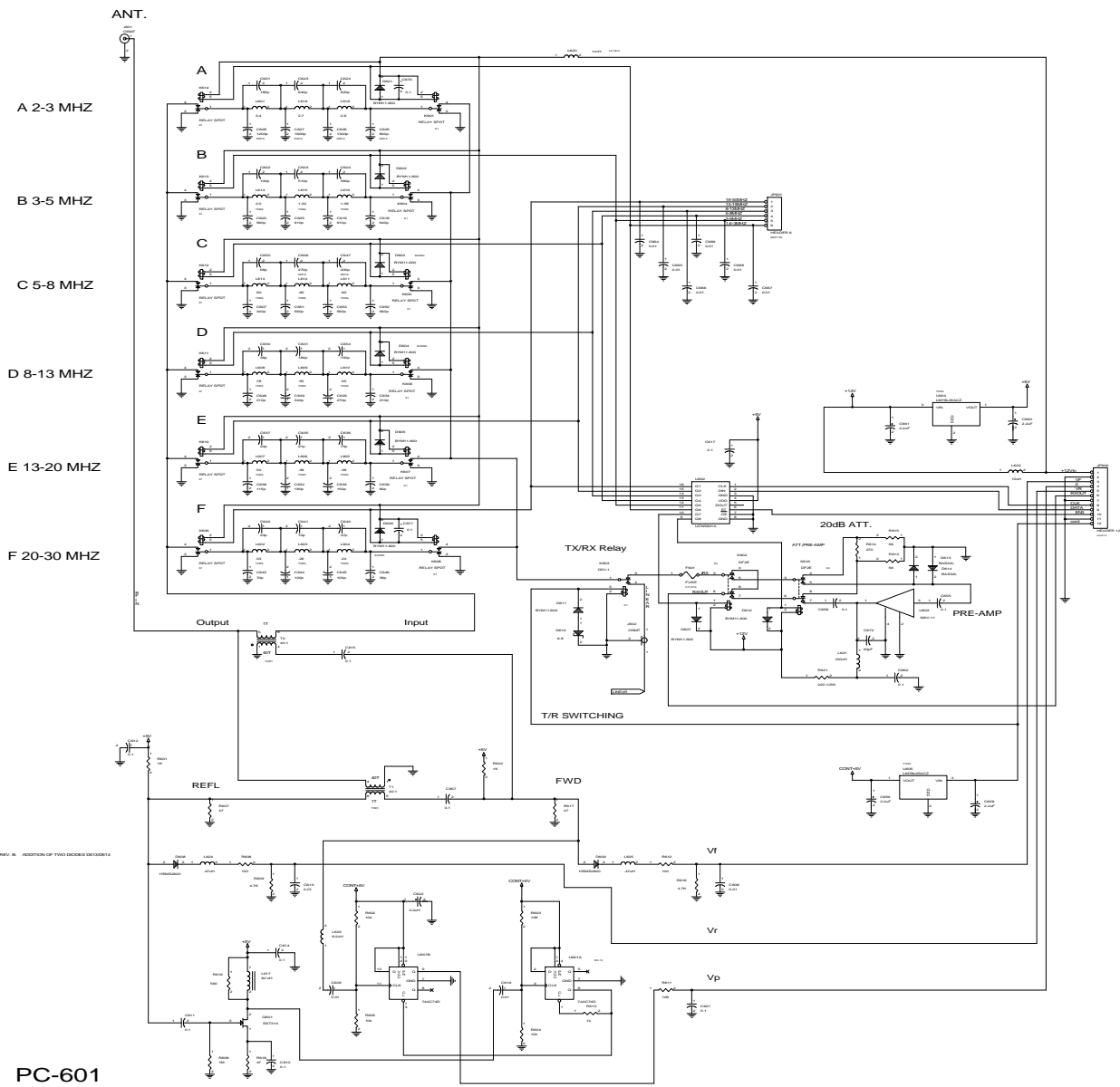


FIGURE-4.5  
PC501, POWER AMPLIFIER MODULE



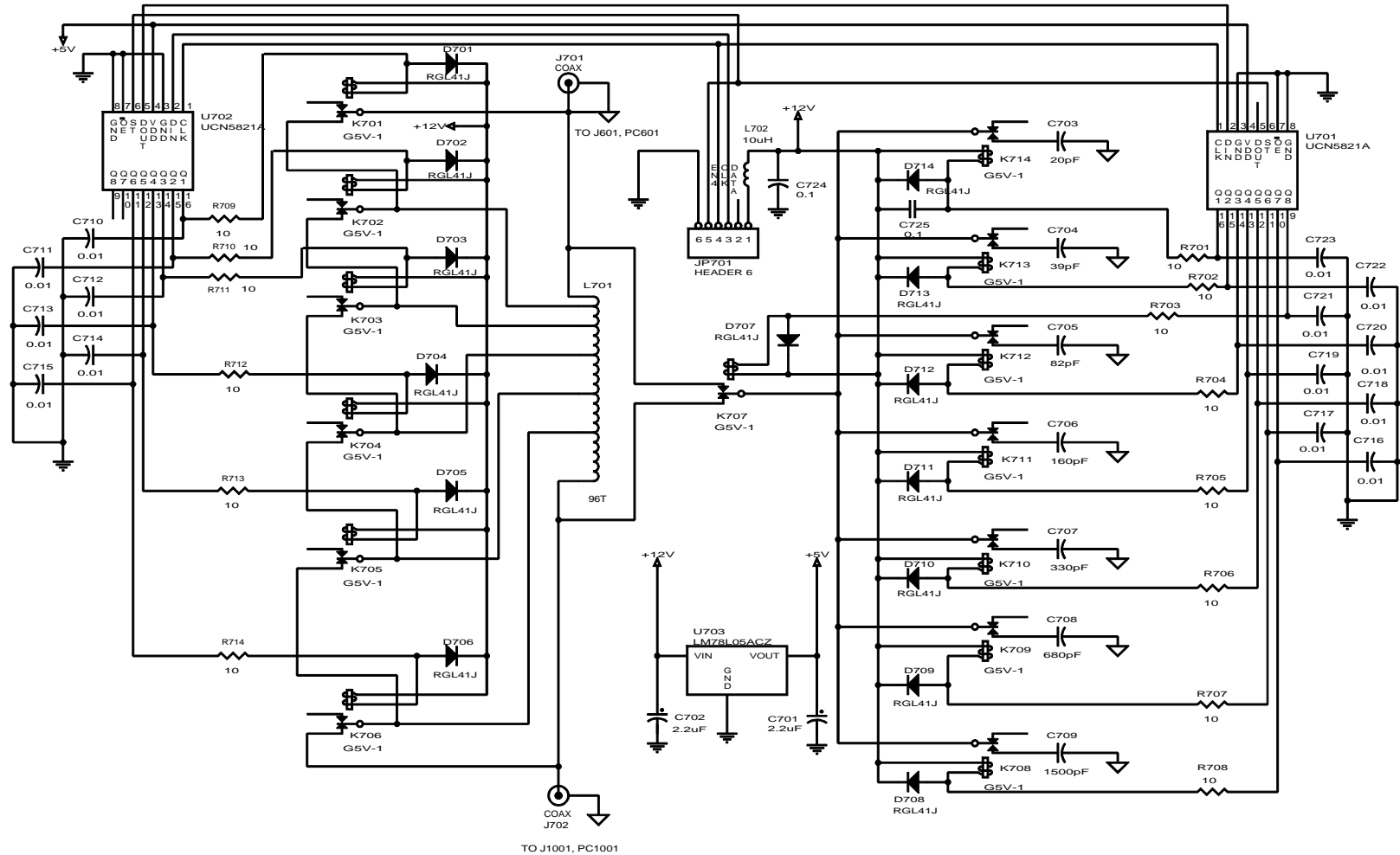
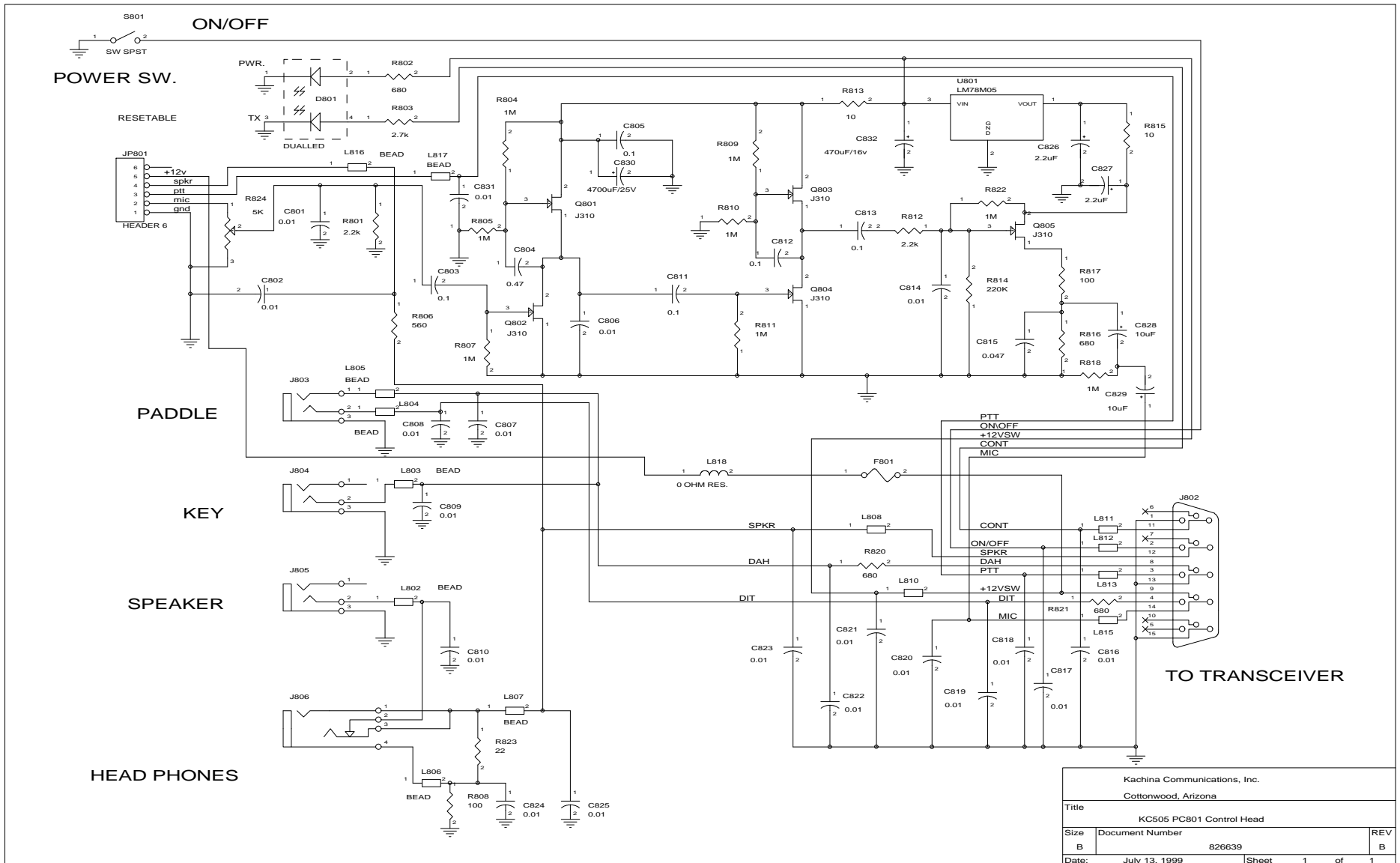


FIGURE-4.7  
PC701, ANTENNA TUNER MODULE





Kachina Communications, Inc. Cottonwood, Arizona		
Title KC505 PC801 Control Head		
Size B	Document Number 826639	REV B
Date: July 13, 1999	Sheet 1	of 1



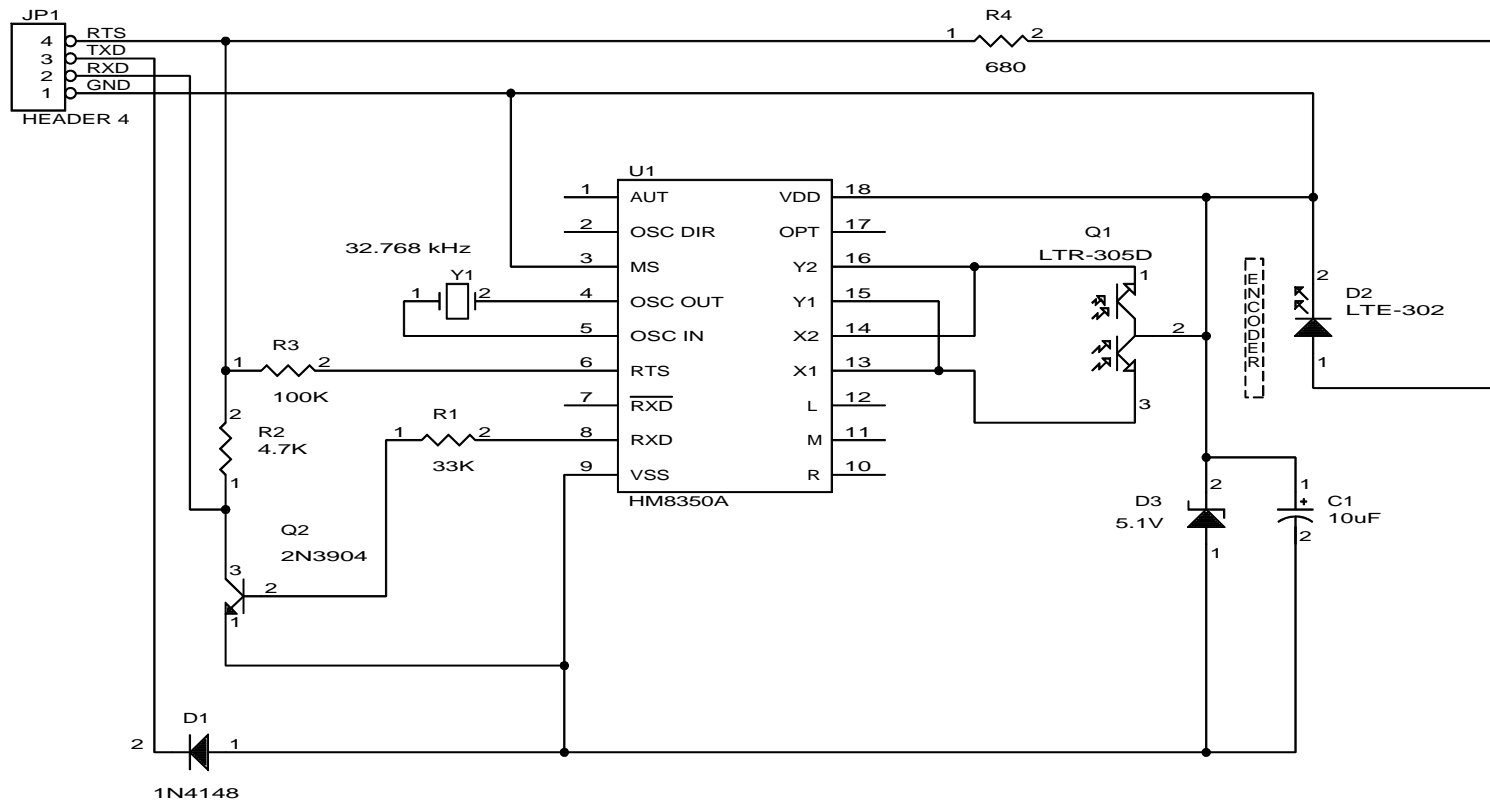
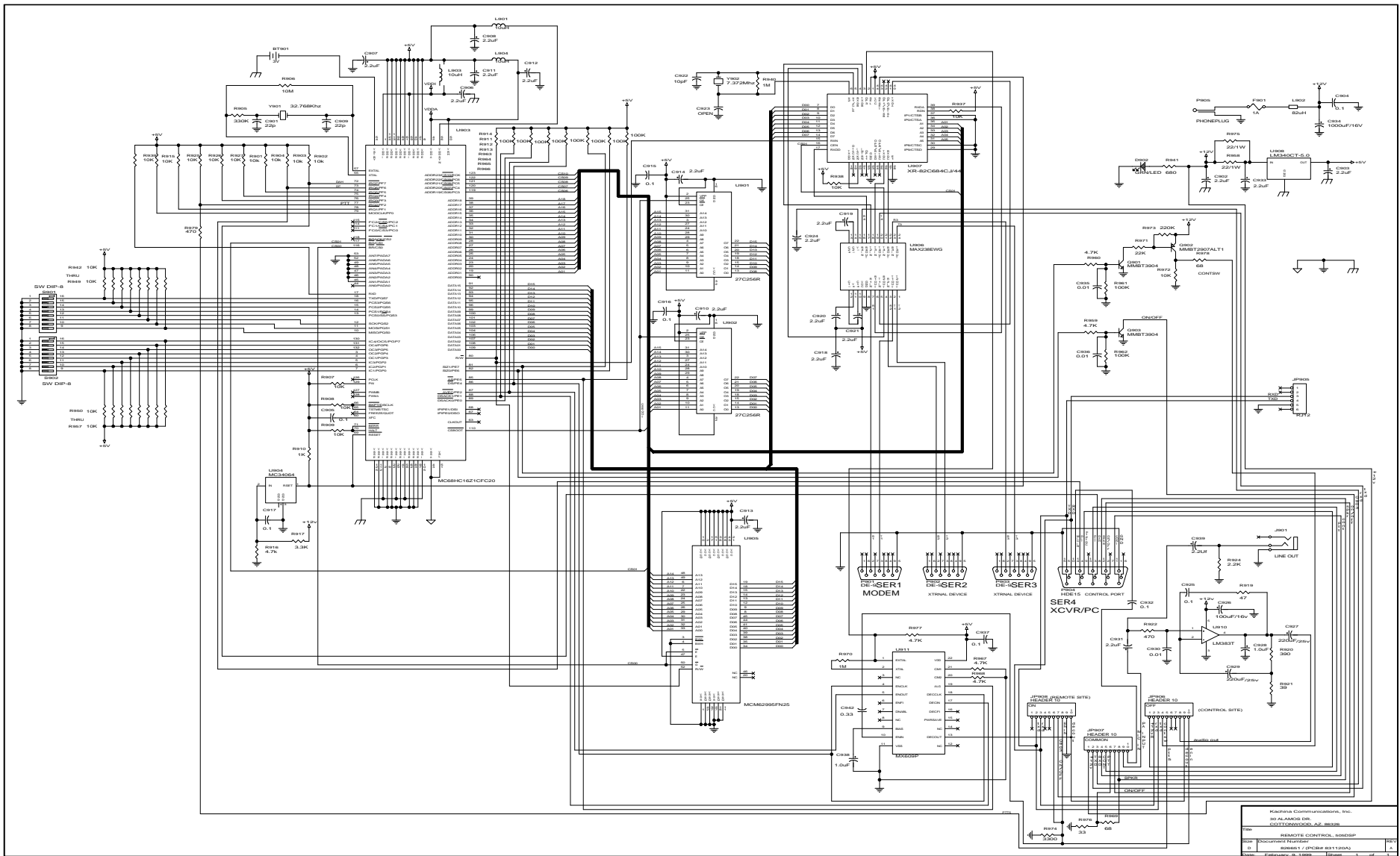
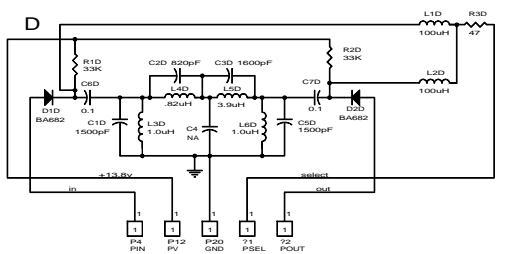
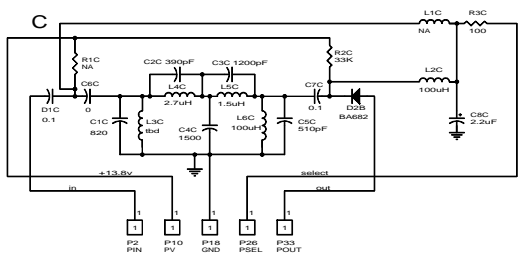
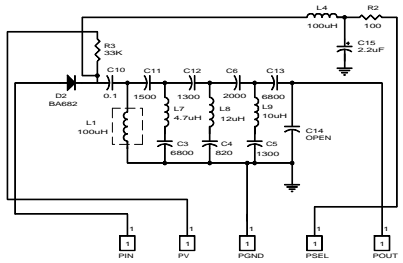
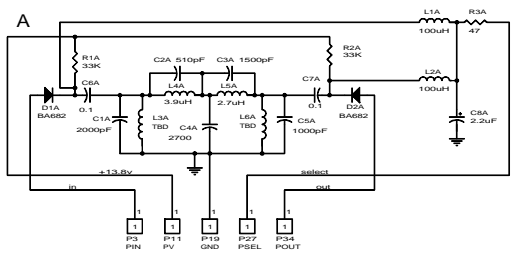


Figure 7.2-Schematic Diagram, PC906, Tuning Knob Option



Motorola Communications, Inc.  
 363 ALABAMA DR.  
 COSTA MESA, CA 92626  
 REMOTE CONTROL BOARD  
 MCM61621CF020  
 MCM2365FN25  
 74C256A-74C256Z  
 74C256A-74C256Z

PRE-SELECTORS (A-H)



\* NOTE ALL 47 OHM RESISTORS ARE 1/4W  
ALL OTHERS ARE 1/8W

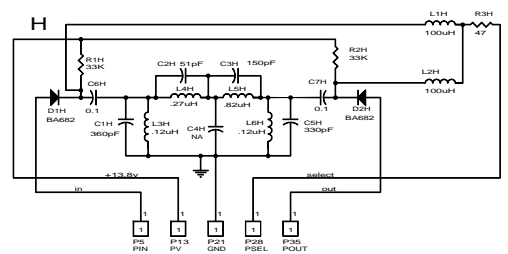
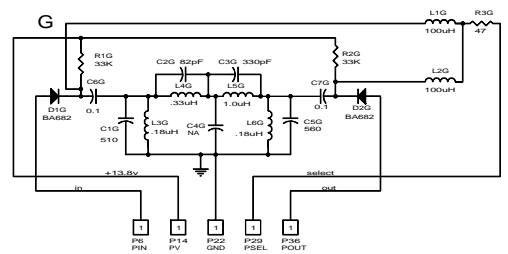
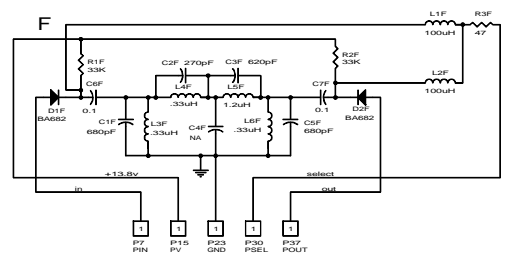
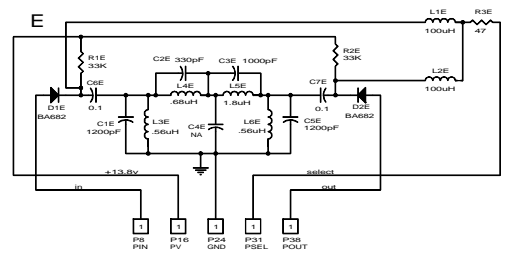
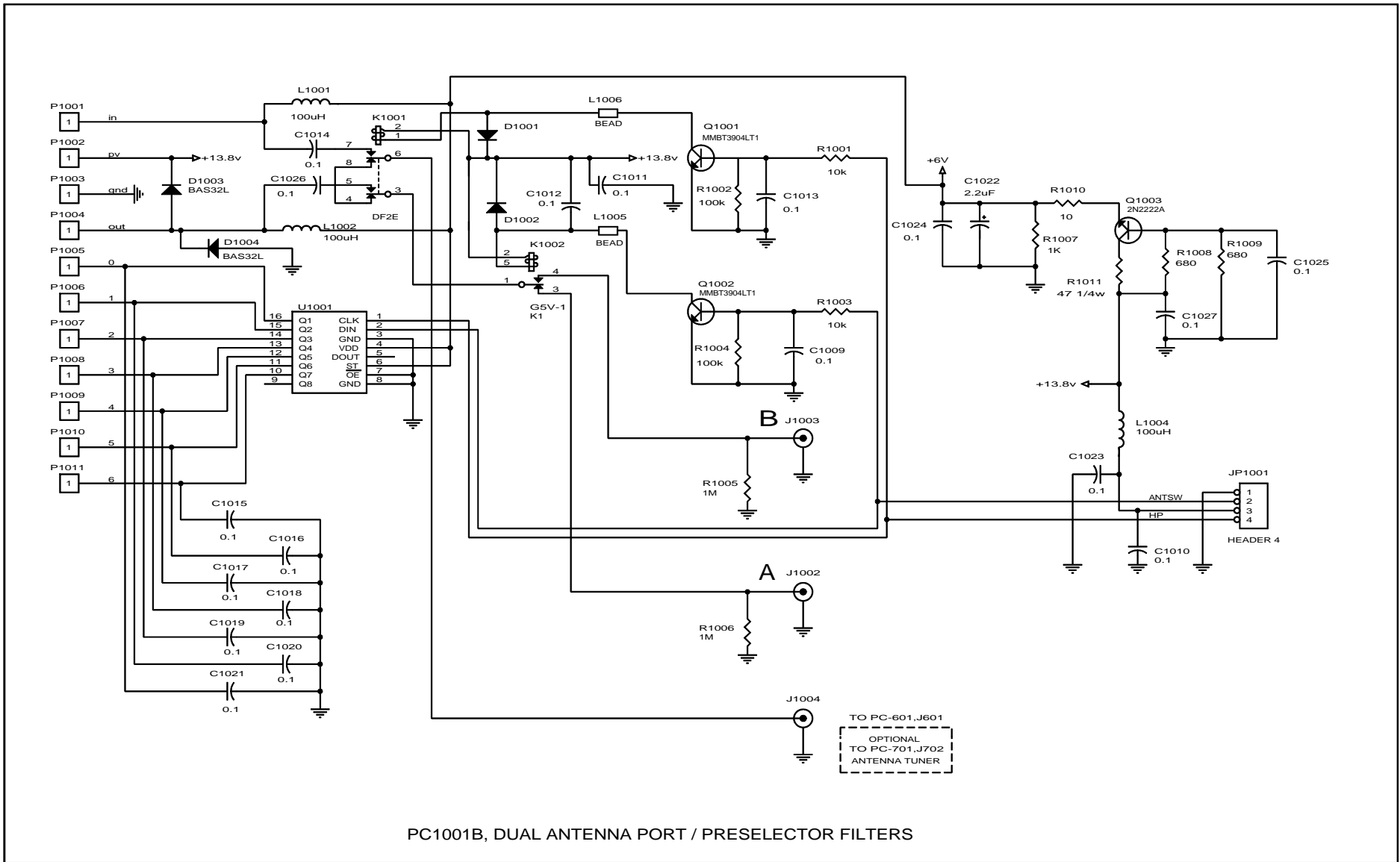
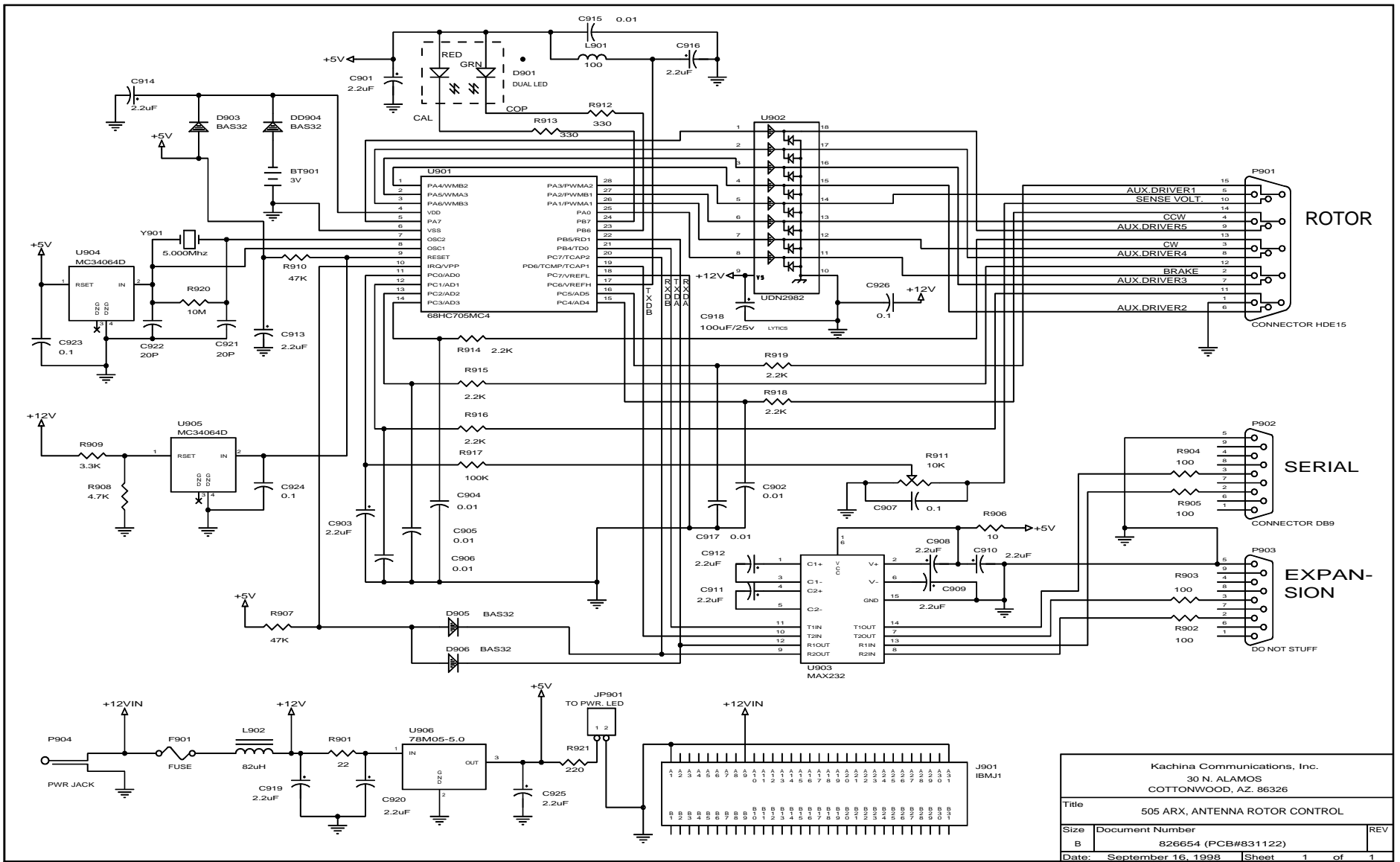


Figure 7.3b-Schematic Diagram, Pre-Select Filters, Dual Antenna Port



PC1001B, DUAL ANTENNA PORT / PRESELECTION FILTERS



Kachina Communications, Inc. 30 N. ALAMOS COTTONWOOD, AZ. 86326		
Title 505 ARX, ANTENNA ROTOR CONTROL		
Size B	Document Number 826654 (PCB#831122)	REV
Date:	September 16, 1998	Sheet 1 of 1