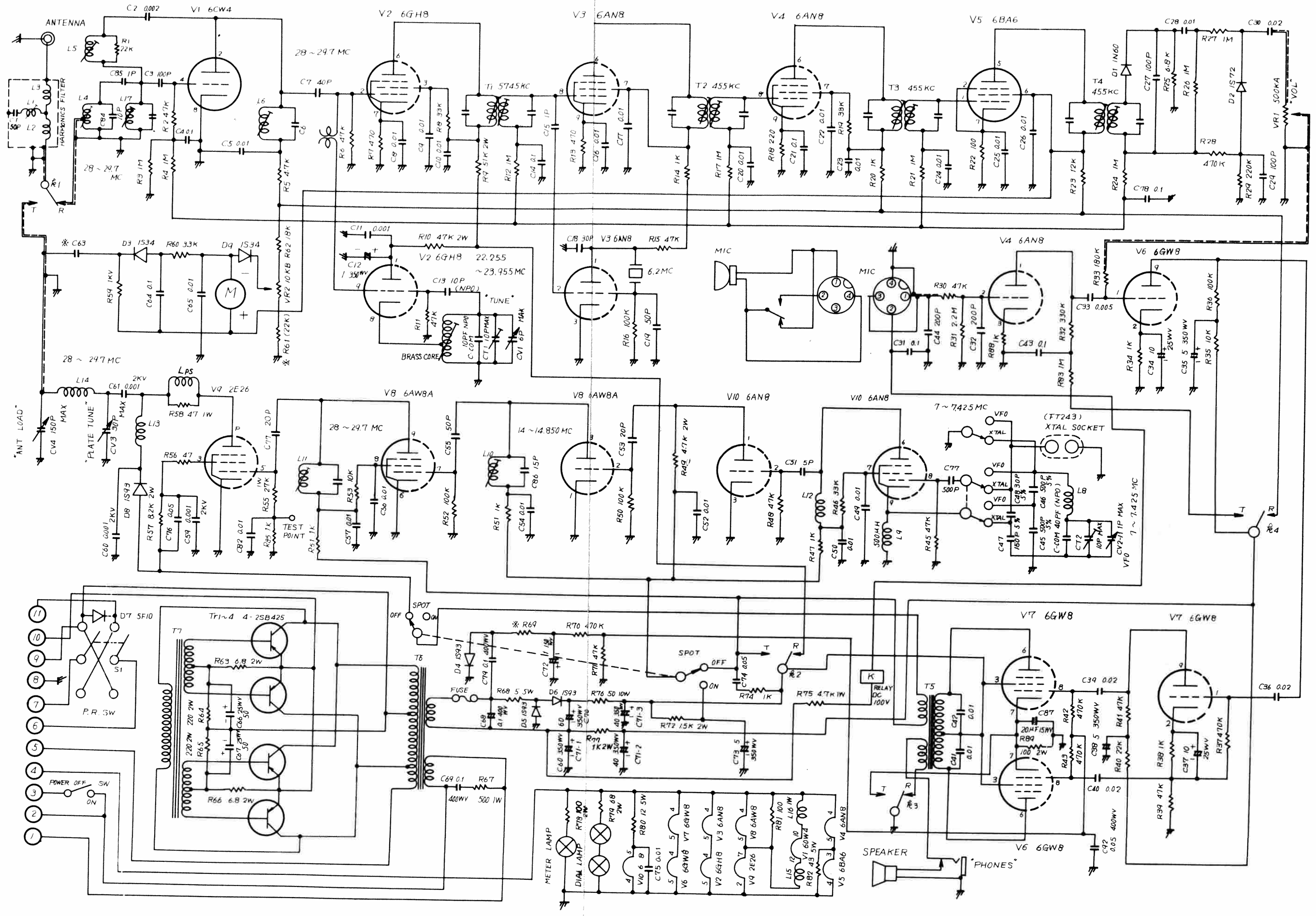


Downloaded by
RadioAmateur.EU

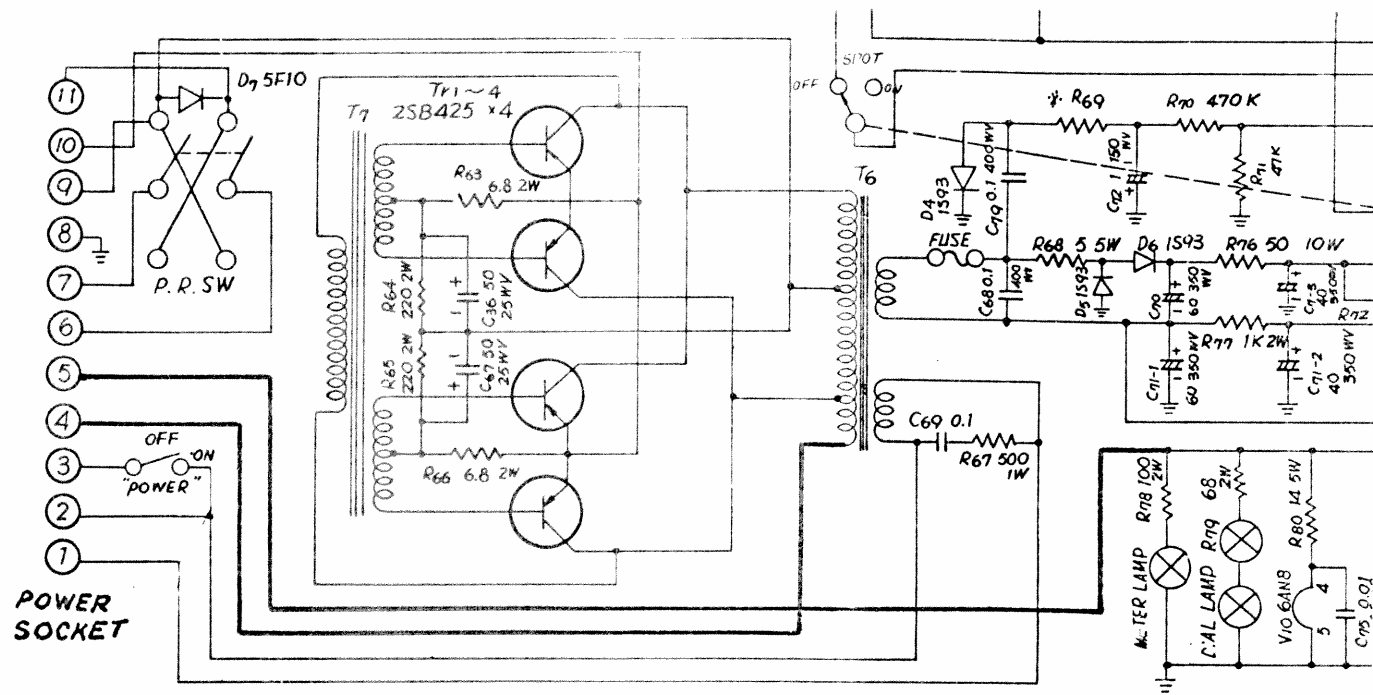


SCHMATIC DIAGRAM—MODEL HA-410

ADDENDA

SCHEMATIC DIAGRAM CHANGE
MODELS HA-410 & HA-460 AMATEUR TRANSCEIVERS

There has been an error in printing the schematic diagram of the power socket connections on the above mentioned units. The diagram below shows the power socket connections as it should appear. It will be noted on the corrected diagram below that pins 4 and 5 of the power socket are reversed from that shown on the original schematic diagram.



Downloaded by
RadioAmateur.EU

LAFAYETTE RADIO ELECTRONICS CORPORATION