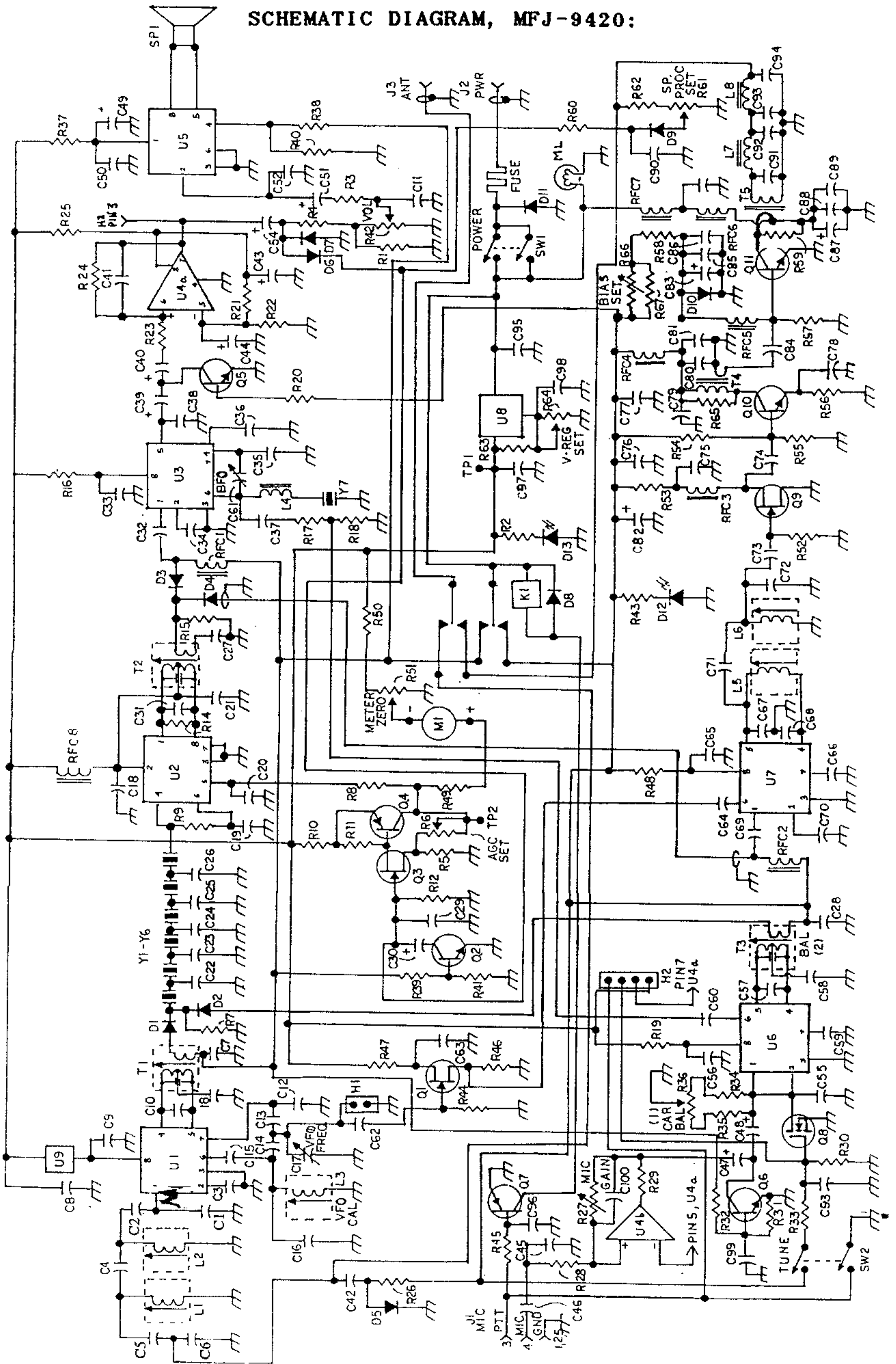


SCHEMATIC DIAGRAM, MFJ-9420:



MFJ-9420 Parts List

DESIGNATION	DESCRIPTION	MFJ PARTS #	DESIGNATION	DESCRIPTION	MFJ PARTS #
C1,5,73	100pF, 50V Multilayer	205-0100	Q8	VN10KM	305-6005
C2	560pF, 50V Multilayer	205-0005	Q9	J310	305-6310
C3,7,11,18,19,20,21,27	.01uF, 25/50V Disc	200-0004	Q10	2N5109	305-0017
C28,29,34,36,38,42,45,52	.01uF, 25/50V Disc	200-0004	Q11	MRF-477	305-5477
C53,55,58,59,63,65,66,70	.01uF, 25/50V Disc	200-0004	R1,2,7,15,16,19,26,43	2.2K ohm, 1/4 Watt	100-3220
C75,76,79,85,88,90,96	.01uF, 25/50V Disc	200-0004	R3,54	4.7K ohm, 1/4 Watt	100-3470
C4,71	4.7pF, 500V Disc	200-1004	R4,8,11,14,20,39,41,45	10K ohm, 1/4 Watt	100-4100
C6	680pF, 50V Multilayer	205-0680	R62	10K ohm, 1/4 Watt	100-4100
C8,9,33,46,50,56,77,78	.1uF, 50/100 Disc	200-0005	R5,23,28,46	1K ohm, 1/4 Watt	100-3100
C81,86,89,95,97,98,99	.1uF, 50/100 Disc	200-0005	R6,36,61,64	1K ohm, Trimpot	133-3100
C10,31,57	220pF, 50V Disc	200-0010	R9,25	330 ohm, 1/4 Watt	100-2330
C12,13,14	560pF, 160V Polyesterene	202-0022	R10,13,29,47,63	100 ohm, 1/4 Watt	100-2100
C15,84	.1uF, 50V Multilayer	205-1210	R12	680K ohm, 1/4 Watt	100-5680
C16	27pF, 50V Multilayer	205-0027	R17,24,30,44,52,60	100K ohm, 1/4 Watt	1005100
C17	5-50pF, 750V Air Var	204-5050	R18,50	1.5K ohm, 1/4 Watt	100-3150
C22,26	120pF, 50V Multilayer	205-0120	R21,22,32,33,34,35,38	47K ohm, 1/4 Watt	100-4470
C23,24,25	150pF, 50V Multilayer	205-0150	R27	50K ohm, 1/4 Watt	130-4500
C30	2.2uF, 16V Electrolytic	203-8022	R37,53,57	22 ohm, 1/4 Watt	100-1220
C32,41,60,74,80,100	470pF, 50V Multilayer	205-0470	R40	22K ohm, 1/4 Watt	100-4220
C35	47pF, 50V Multilayer	205-0047	R42	10K ohm, Pot	165-4100
C37,62	22pF, 50V Multilayer	205-0022	R48	3.3K ohm, 1/4 Watt	100-3330
C39,40,47,48,51,54	1uF, 50V Electrolytic	203-0006	R49	5.6K ohm, 1/4 Watt	100-3560
C43,44	47uF, 35V Electrolytic	203-0007	R51	10K ohm, Trimpot	133-4100
C49,83,87	100uF, 16V Electrolytic	203-0003	R55	390 ohm, 1/4 Watt	100-2390
C61	12-100pF, 250V Trimmer	204-0010	R56	10 ohm, 1/4 Watt	100-1100
C64,69	100pF, 50V Disc	200-2013	R58	180 ohm, 1/2 Watt	101-2180
C67,68	180pF, 50V Multilayer	203-8022	R59	150 ohm, 1/4 Watt	100-2150
C72	68pF, 50V Multilayer	205 0068	R60	100K ohm, 1/4 Watt	100-5100
C82	10uF, 35V Electrolytic	203-0012	R65,67	220 ohm, 1/4 Watt	100-2220
C91,92,93,94	220pF, 500V Sm	208-0220	R66	500 ohm, Trimpot	130-2500
D1,2,3,4,5,6,7,8,9	1N4148	300-0003	RFC1,2,3,4	10uH, Inductor	401-0102
D10,11	1N4001	300-1004	RFC5	22uH, Inductor	401-0046
D12	MV5753 Red LED	320-0001	RFC6	4.7uH, Inductor	401-0099
D13	Green LED	320-0002	RFC7	4T, Inductor	11-9015-3
H1	2 Position Header	612-0402	RFC8	100uH, Inductor	401-0030
H2	4 Position Header	612-0404	SW1,2	Switch	504-0022
J1	5 Pin Din Connector	611-1005	T1,2,3	25K:1K Inductor	402-3123
J2	2.1MM Coaxial Jack	601-6021	T4	3:1 Transformer	11-9020-1
K1	12V Relay	408-2042	T5	4:1Transformer	11-9420-1
L1,2,5,6	1.8uH, Red Inductor	402-3402	U1,3,6,7	NE602	311-1602
L3	6.5uH Inductor	402-3406	U2	MC1350P	311-1045
L4	15uH, Inductor	401-0043	U4	LM358	311-0386
L7,8	12T Inductor	11-9020-3	U5	TDA7052AN	311-27052
Q1,3	2N5486	305-6004	U8	LM317T	307-1021
Q2,5,6	2N3904	305-0018	U9	78L05AC	307-0010
Q4,7	2N3906	305-0002	Y1,2,3,4,5,6,7	10MHz Crystals	405-0065