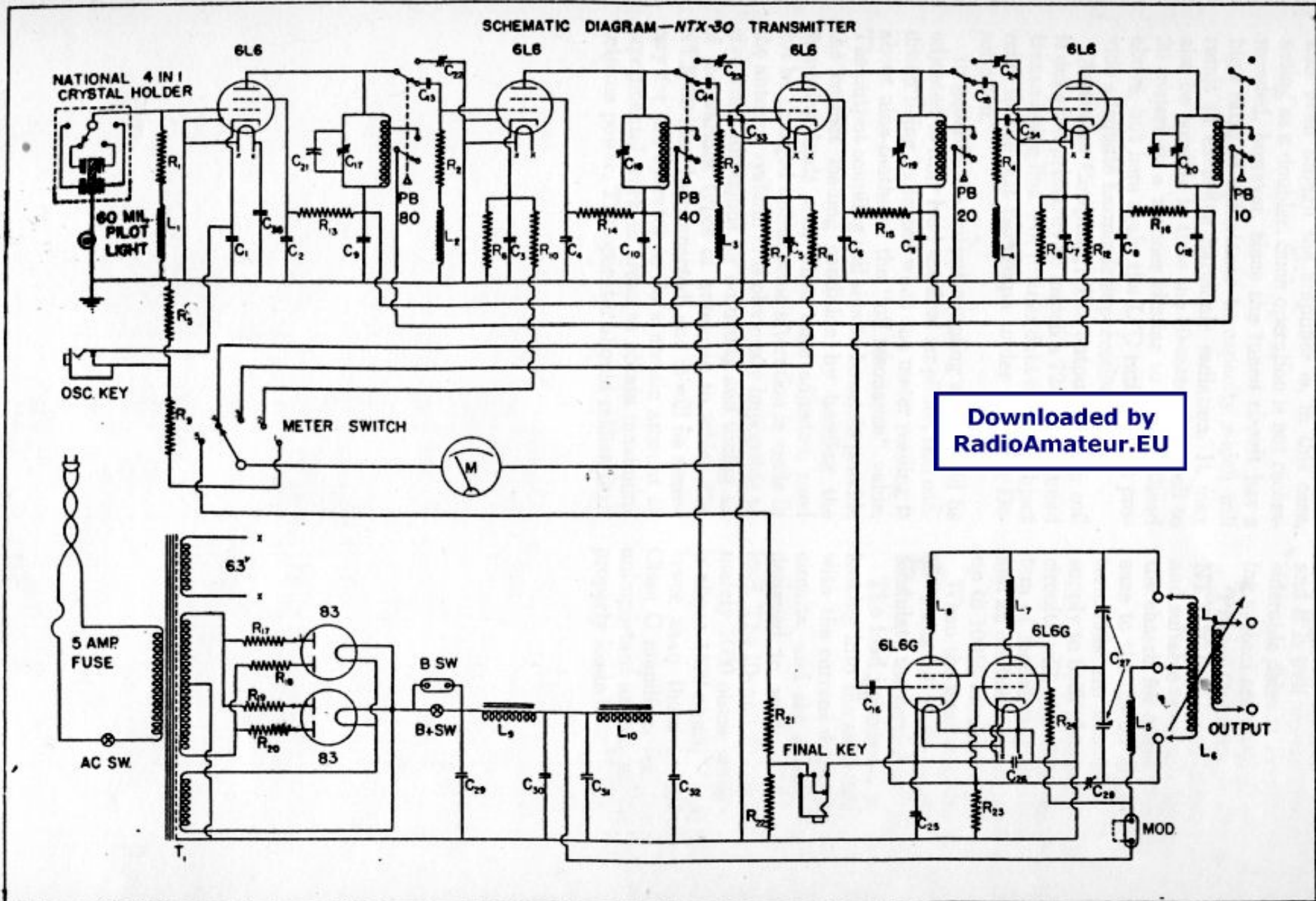


NTX-30 TRANSMITTER

Show me no band selected

SCHMATIC DIAGRAM—NTX-30 TRANSMITTER



Downloaded by
RadioAmateur.EU

PARTS LIST

- R₁ to R₄, inclusive — 50,000-ohm, 2-watt
R₅ to R₈, inclusive — 300-ohm, 2-watt
R₉ to R₁₂, inclusive — 30,000-ohm, 1/2-watt
R₁₃ — 20,000-ohm, 2-watt
R₂₃ and R₁₄ to R₁₆, inclusive — 7500-ohm, 10-watt
R₁₇ to R₂₀, inclusive — 30-ohm, 2-watt
R₂₁ — 5000-ohm, 1/2-watt
R₂₂ — 10-ohm, 2-watt
R₂₄ — 2500-ohm, 10-watt
C₁ to C₈, inclusive C₂₅ and C₃₅ — .01-mfd., 400-volt
C₉ to C₁₂, inclusive — .003-mfd. mica
C₁₃ to C₁₅, inclusive — .001-mfd. mica
C₁₆ — .00025-mfd. mica
C₁₇ to C₂₀ — 25-mmf. tank condensers of FXT'S
C₂₁ — "Crystal tuning" National STE60
C₂₂ to C₂₄, inclusive — 15-mmf. compensators of FXT'S
C₂₆ — .001-mfd. mica
C₂₇ — Final tank condenser National TMC-150D
C₂₈ — Neutralizing condenser National NC-600
C₂₉ to C₃₂, inclusive — 4-mfd., 600-volt (oil)
C₃₃, C₃₄ — 10-mmf. mica
L₁ to L₄, inclusive — National R-100 RF Chokes
L₅ — National R-200 RF Choke
L₆ — National AR-16S Tank Coils
L₇, L₈ — Parasitic Chokes
L₉, L₁₀ — National Filter Chokes (Special)
PB — National Push Switch ACS-4