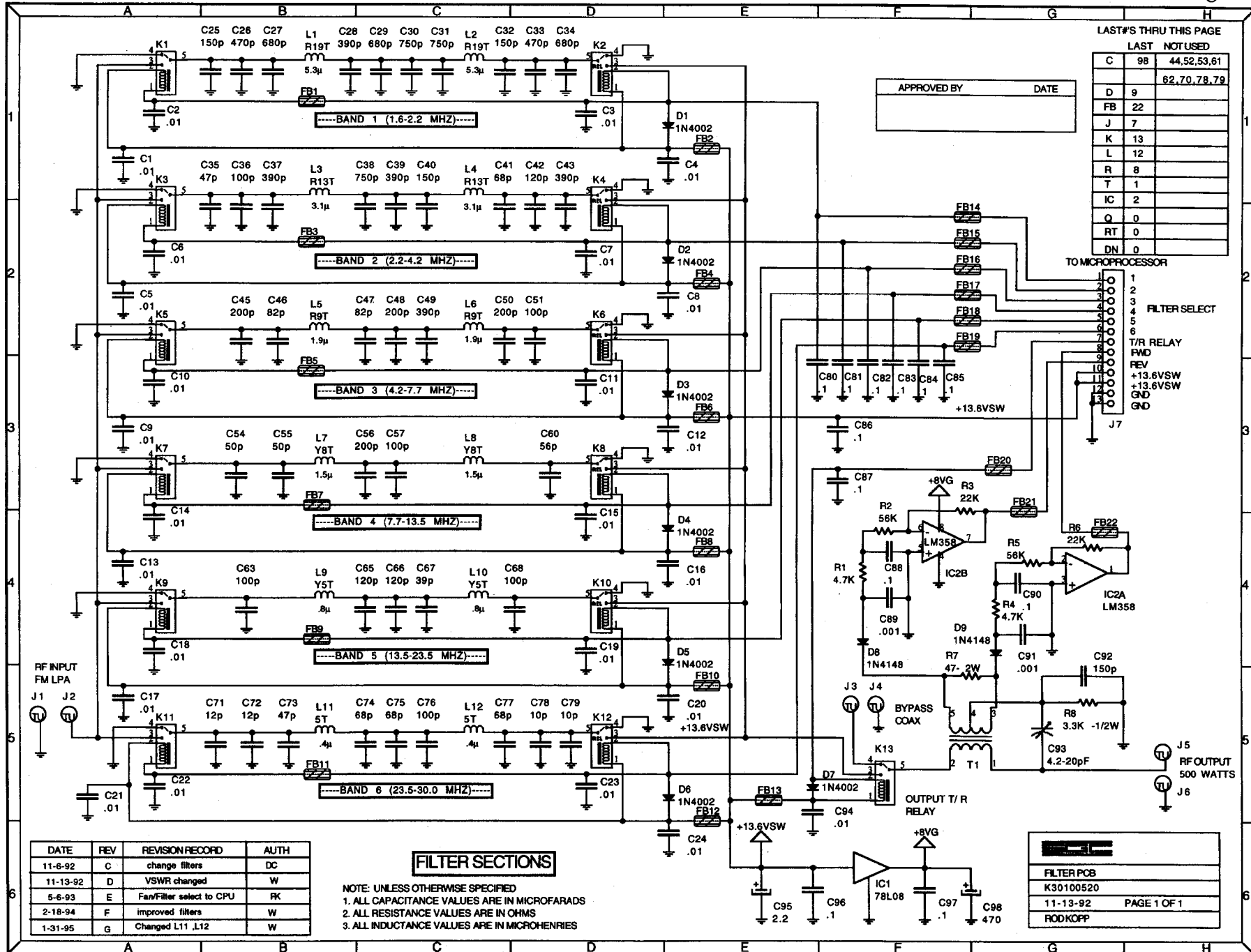


| DATE | REV | REV RECORD | AUTH |
|-------|-----|-----------------|------|
| 10/98 | B | DELETE FILTER 6 | KLT |
| | | | |
| | | | |

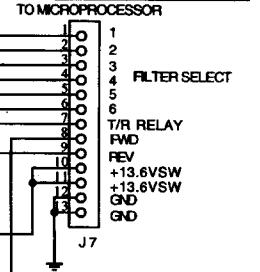
| | |
|----------------------|----------|
| SGS SG 500 | |
| BLOCK DIAGRAM | |
| K40100510 | B |
| DOC | 08-07-91 |



APPROVED BY _____ DATE _____

LAST#'S THRU THIS PAGE

| | LAST | NOT USED |
|----|------|-------------|
| C | 98 | 44,52,53,61 |
| D | 9 | 62,70,78,79 |
| FB | 22 | |
| J | 7 | |
| K | 13 | |
| L | 12 | |
| R | 8 | |
| T | 1 | |
| IC | 2 | |
| Q | 0 | |
| RT | 0 | |
| DN | 0 | |

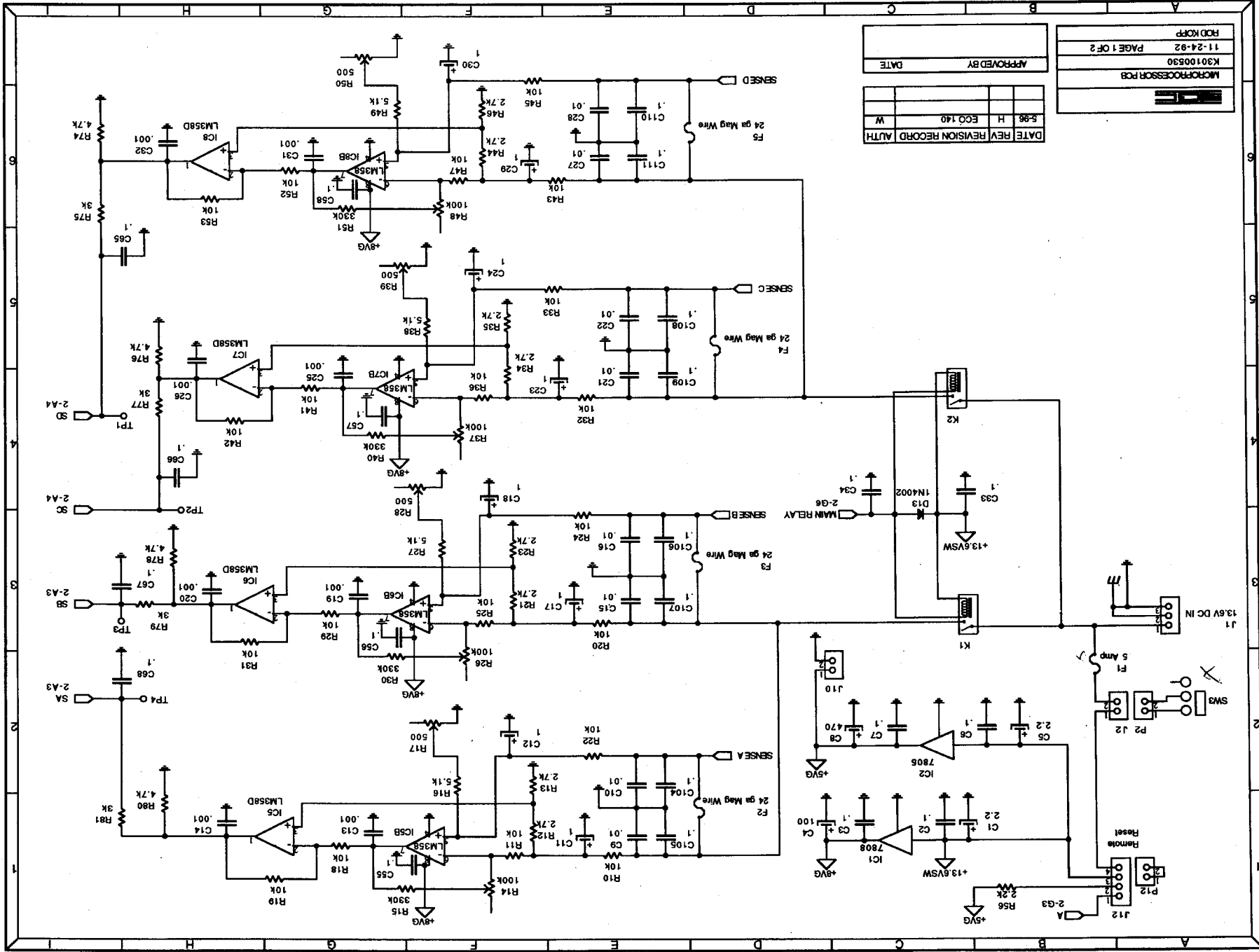


| DATE | REV | REVISION RECORD | AUTH |
|----------|-----|--------------------------|------|
| 11-6-92 | C | change filters | DC |
| 11-13-92 | D | VSWR changed | W |
| 5-6-93 | E | Fan/Filter select to CPU | FK |
| 2-18-94 | F | improved filters | W |
| 1-31-95 | G | Changed L11, L12 | W |

FILTER SECTIONS

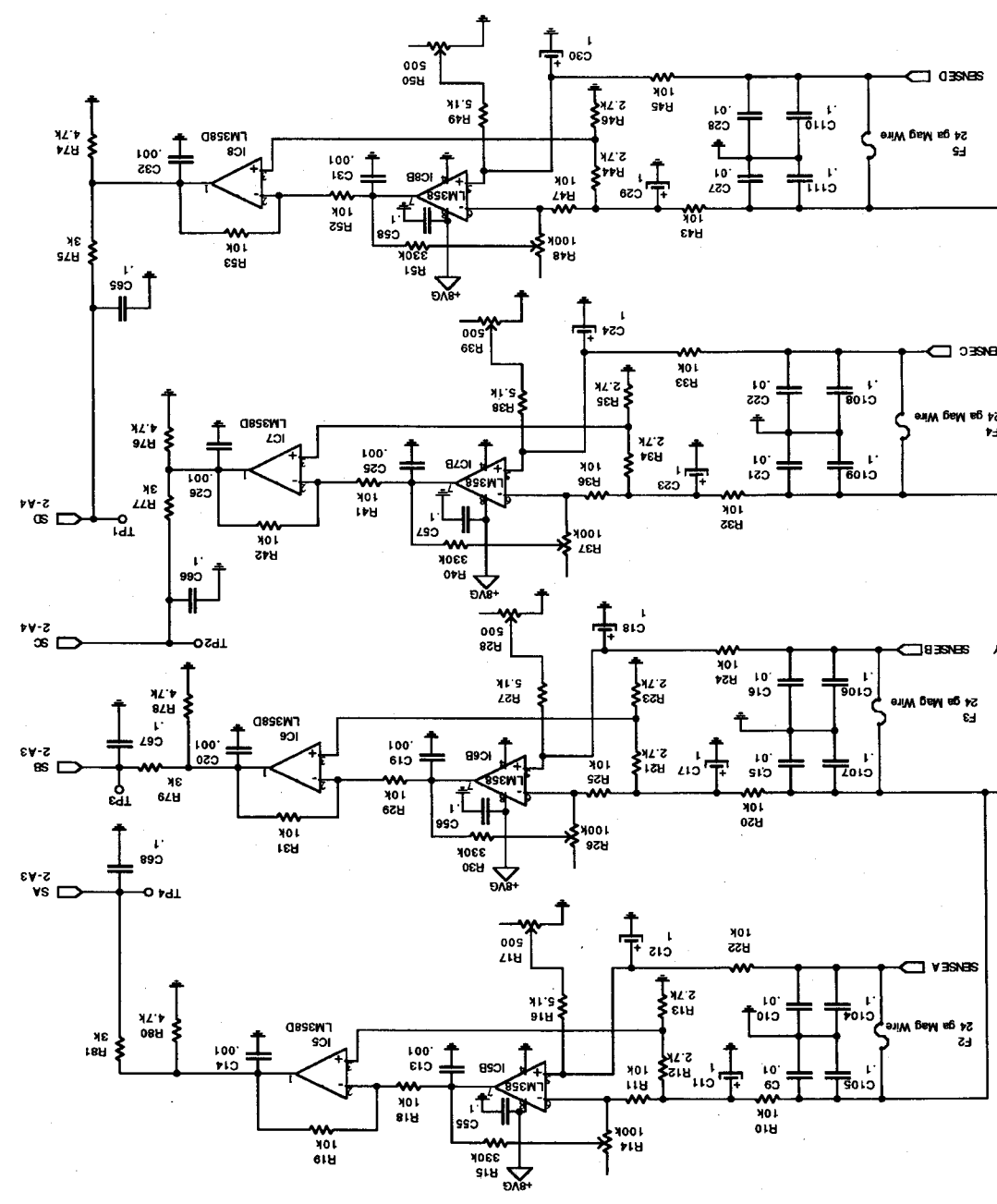
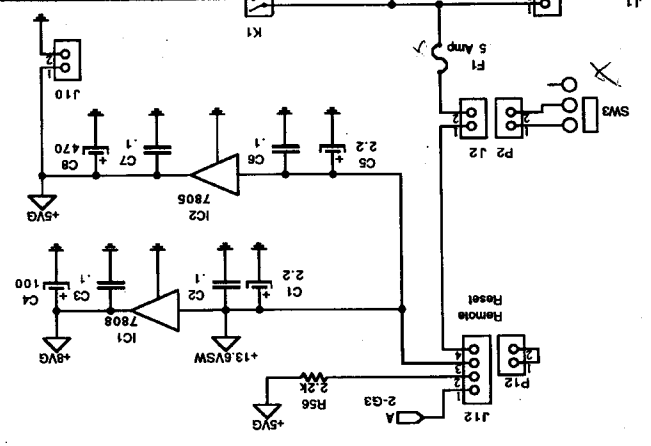
- NOTE: UNLESS OTHERWISE SPECIFIED
1. ALL CAPACITANCE VALUES ARE IN MICROFARADS
 2. ALL RESISTANCE VALUES ARE IN OHMS
 3. ALL INDUCTANCE VALUES ARE IN MICROHENRIES

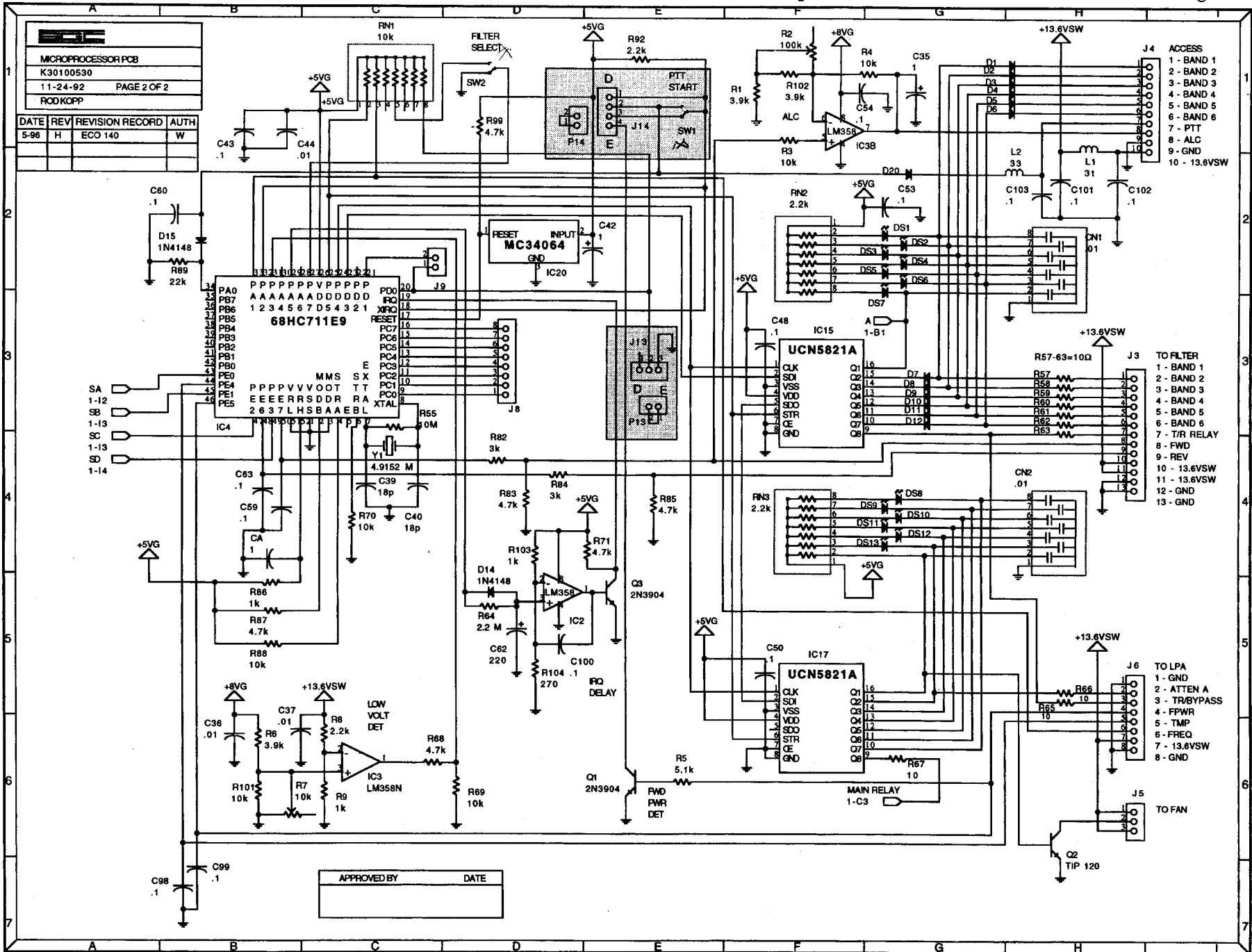
| |
|-------------|
| FILTER PCB |
| K30100520 |
| 11-13-92 |
| PAGE 1 OF 1 |
| RODKOPP |



| | | | |
|-------------|-----|-----------------|------|
| DATE | REV | REVISION RECORD | AUTH |
| 5-86 | H | ECQ 140 | W |
| APPROVED BY | | | |
| DATE | | | |

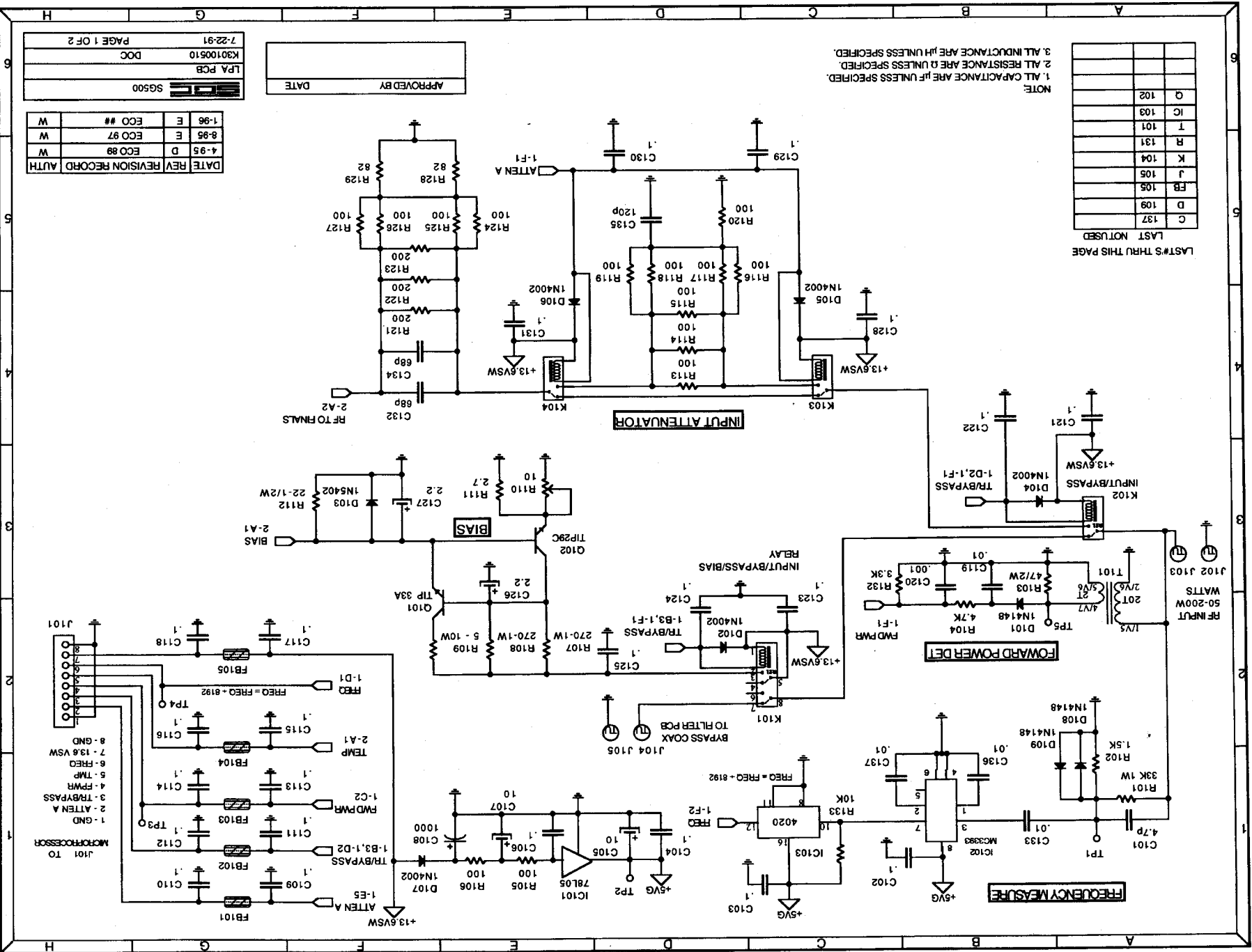
| | |
|----------------------|--|
| MICROPROCESSOR PCB | |
| K30100530 | |
| 11-24-82 PAGE 1 OF 2 | |
| R0D K0FP | |





Linear Power Amp Schematic (1 of 1)

14.5



| | | | |
|------|-----|-----------------|------|
| DATE | REV | REVISION RECORD | AUTH |
| 4-95 | D | ECO 89 | W |
| 8-95 | E | ECO 97 | W |
| 1-96 | E | ECO # | W |

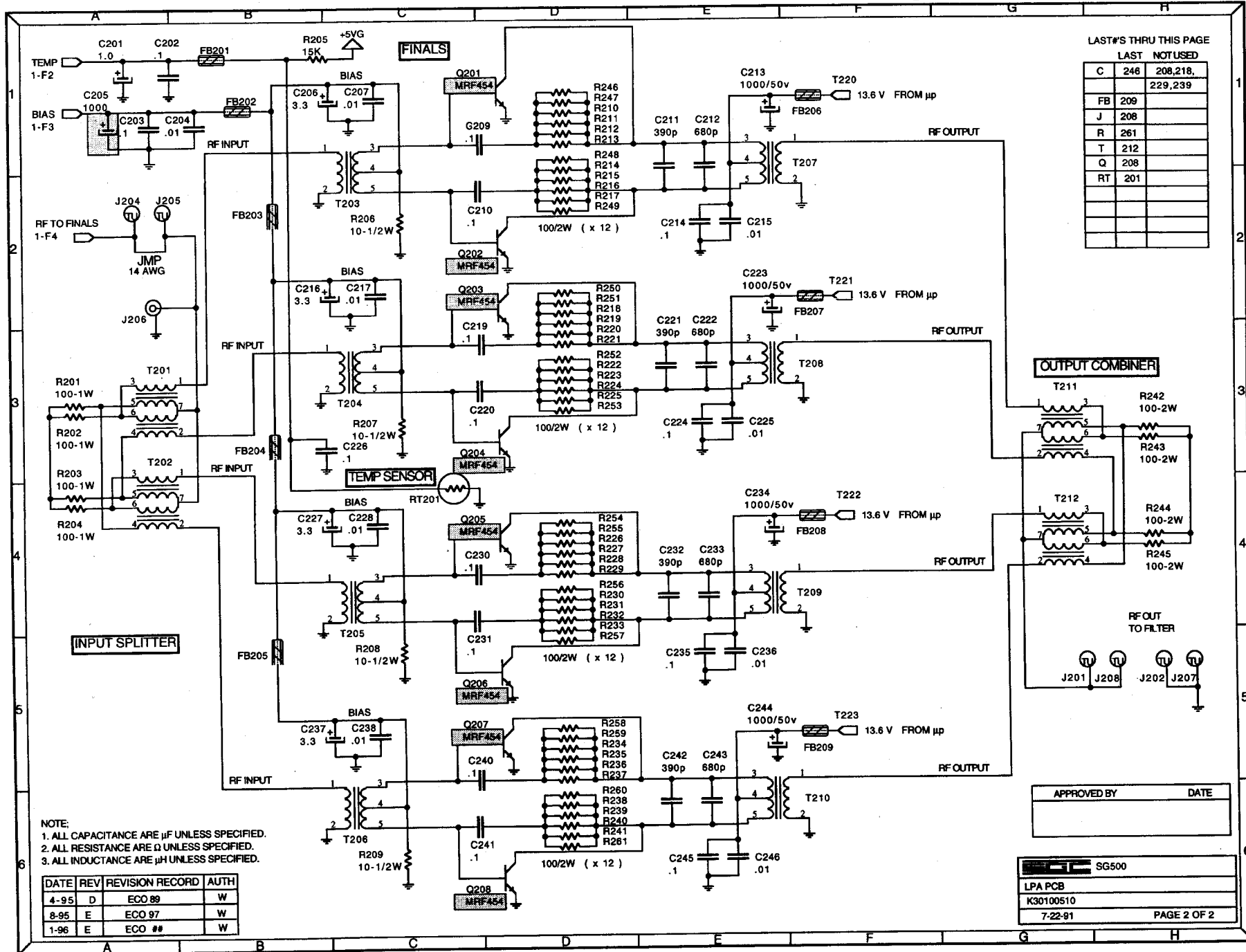
| | |
|-------------|------|
| APPROVED BY | DATE |
| | |

| | |
|-----------|-------------|
| LPA PCB | 3G500 |
| K30100510 | DOC |
| 7-22-91 | PAGE 1 OF 2 |

| | |
|----|-----|
| Q | 102 |
| IC | 103 |
| T | 101 |
| R | 131 |
| K | 104 |
| J | 105 |
| FB | 105 |
| D | 109 |
| C | 137 |

LAST THRU THIS PAGE
LAST NOT USED

- 1. ALL CAPACITANCE ARE pF UNLESS SPECIFIED.
- 2. ALL RESISTANCE ARE Ω UNLESS SPECIFIED.
- 3. ALL INDUCTANCE ARE μH UNLESS SPECIFIED.



LAST #'S THRU THIS PAGE

| LAST | NOTUSED |
|------|----------------------|
| C | 246 208,218, 229,239 |
| FB | 209 |
| J | 208 |
| R | 261 |
| T | 212 |
| Q | 208 |
| RT | 201 |

NOTE:
 1. ALL CAPACITANCE ARE μ F UNLESS SPECIFIED.
 2. ALL RESISTANCE ARE Ω UNLESS SPECIFIED.
 3. ALL INDUCTANCE ARE μ H UNLESS SPECIFIED.

| DATE | REV | REVISION | RECORD | AUTH |
|------|-----|----------|--------|------|
| 4-95 | D | ECO 89 | | W |
| 8-95 | E | ECO 97 | | W |
| 1-96 | E | ECO ## | | W |

APPROVED BY _____ DATE _____

SG500
 LPA PCB
 K30100510
 7-22-91
 PAGE 2 OF 2