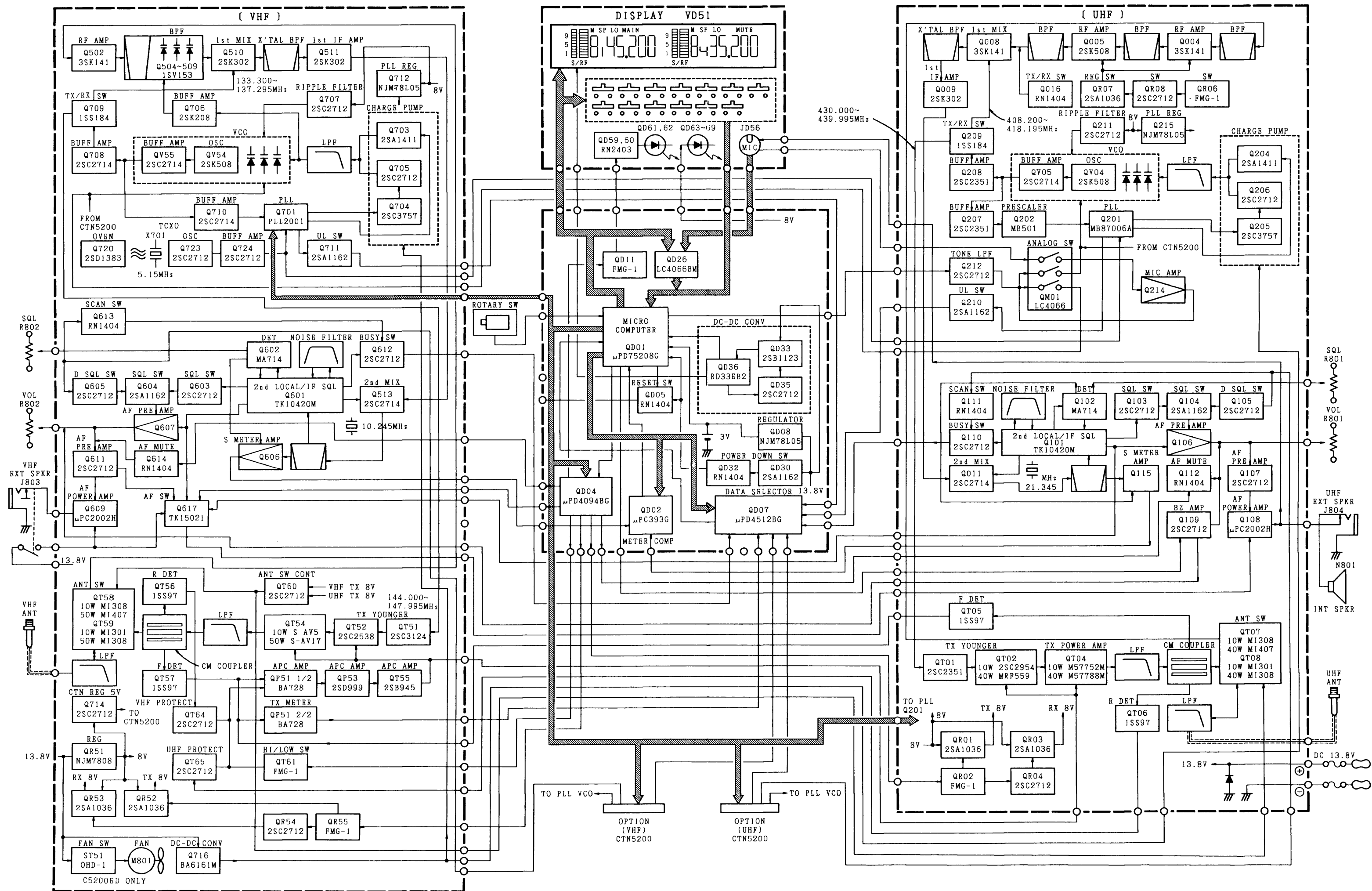


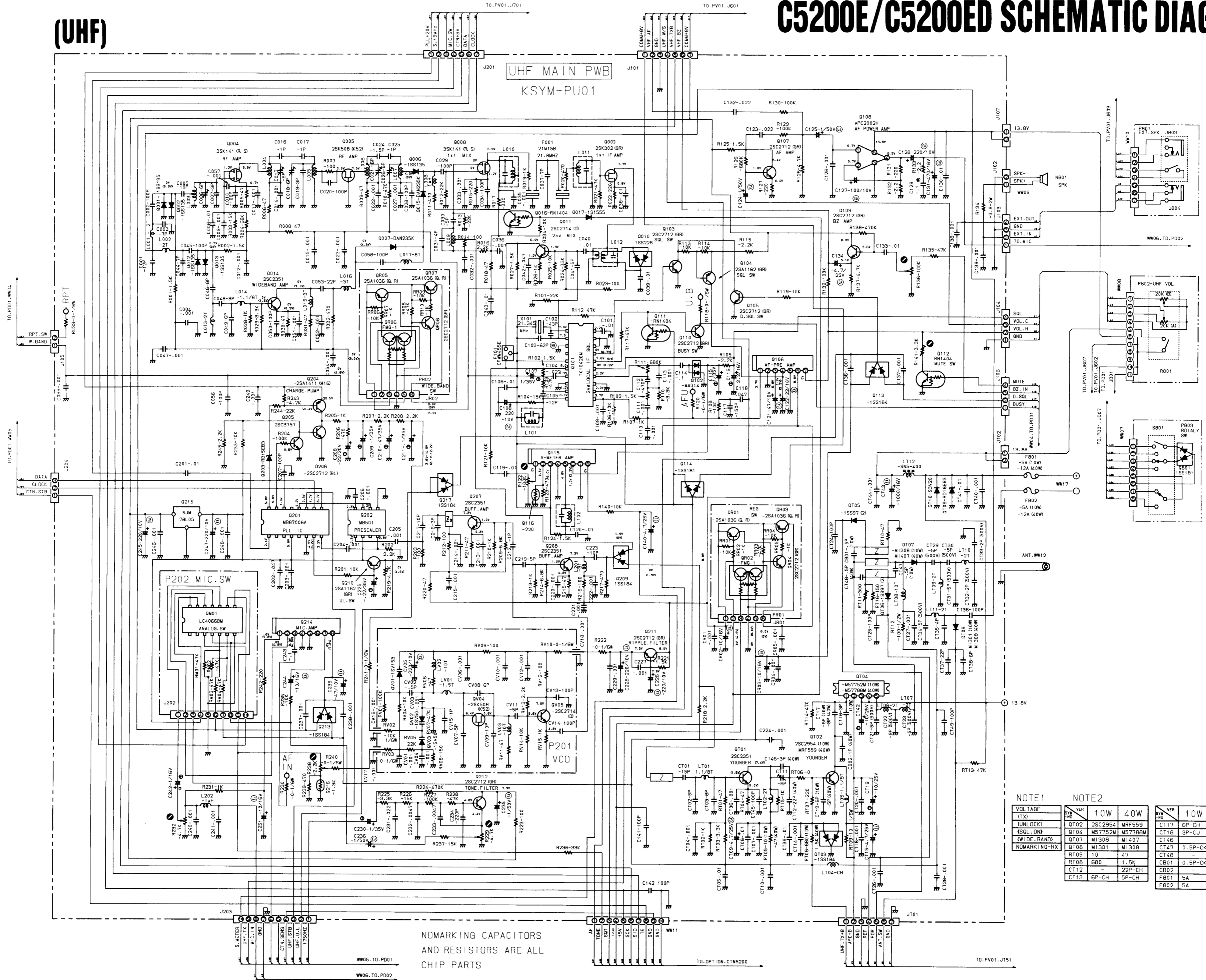
C5200E/C5200ED BLOCK DIAGRAM



Components and wiring are subject to change for modification without notice.

(UHF)

C5200E/C5200ED SCHEMATIC DIAGRAM



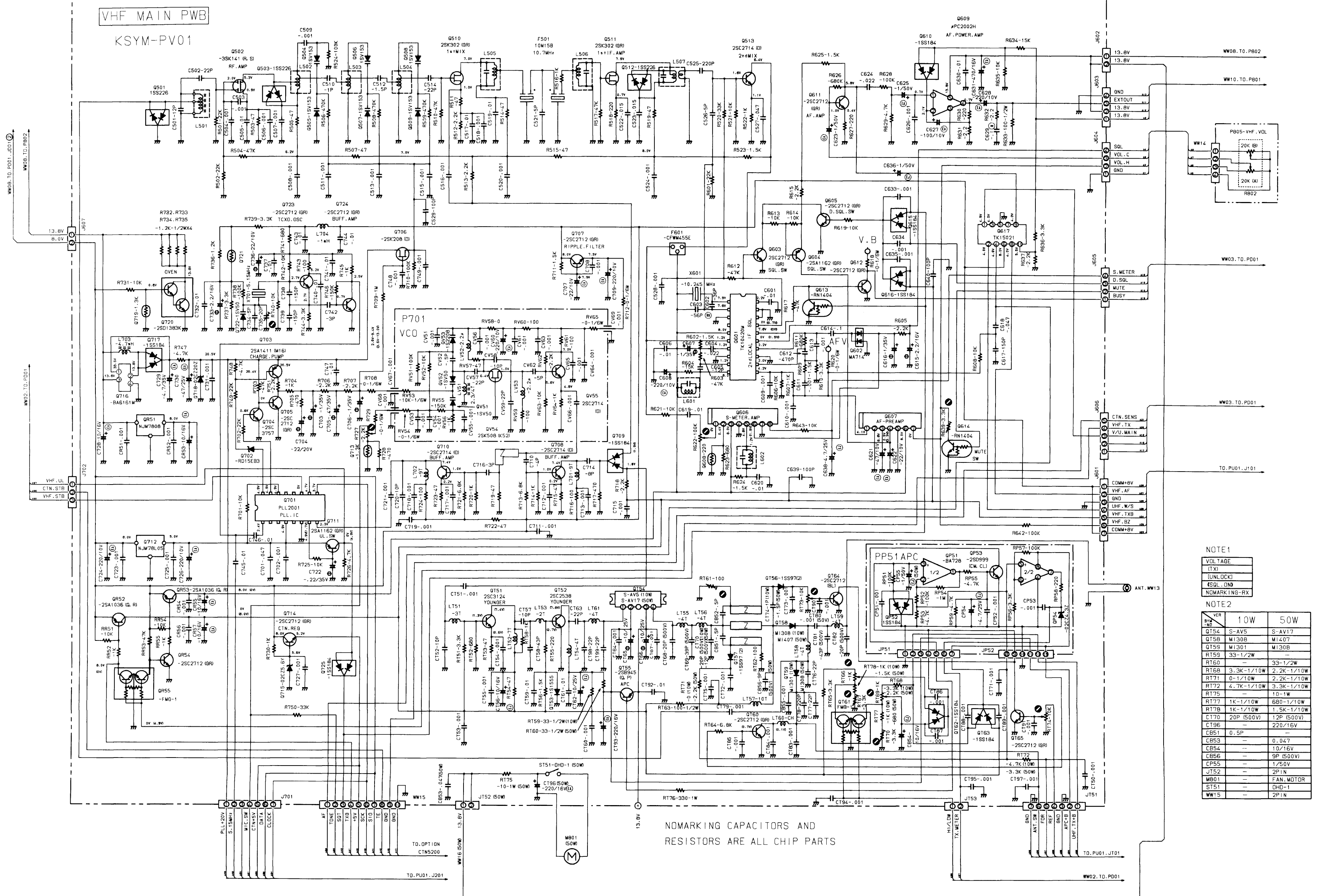
NOMARKING CAPACITORS
AND RESISTORS ARE ALL
CHIP PARTS

NOTE1		NOTE2						
VOLTAGE	PK	VER	10W	40W	PK	VER	10W	40W
(UNLOCK)	Q702	2SC2954	MRF559		CT17	6P-CH	6P-CH	
(SGL. DN)	Q704	M57752M	M5778BM		CT18	3P-CJ		
(WIDE. BAND)	Q707	M1308	M1407		CT46		3P-CJ	
(NOMARKING-RX)	Q708	M1301	M1308		CT47	0.5P-CK		
	RT05	10	47		CT48		0.5P-CK	
	RT08	680	1.5K		CB01	0.5P-CK		
	CT12		22P-CH		CB02			1P-CK
	CT13		6P-CH		FB01	5A	12A	
					FB02	5A	12A	

(VHF)

VHF MAIN PWB

KSYM-PV01



NOTE1
VOLTAGE
(TX)
[UNLOCK]
(SQL_ON)
NOMARKING-RX

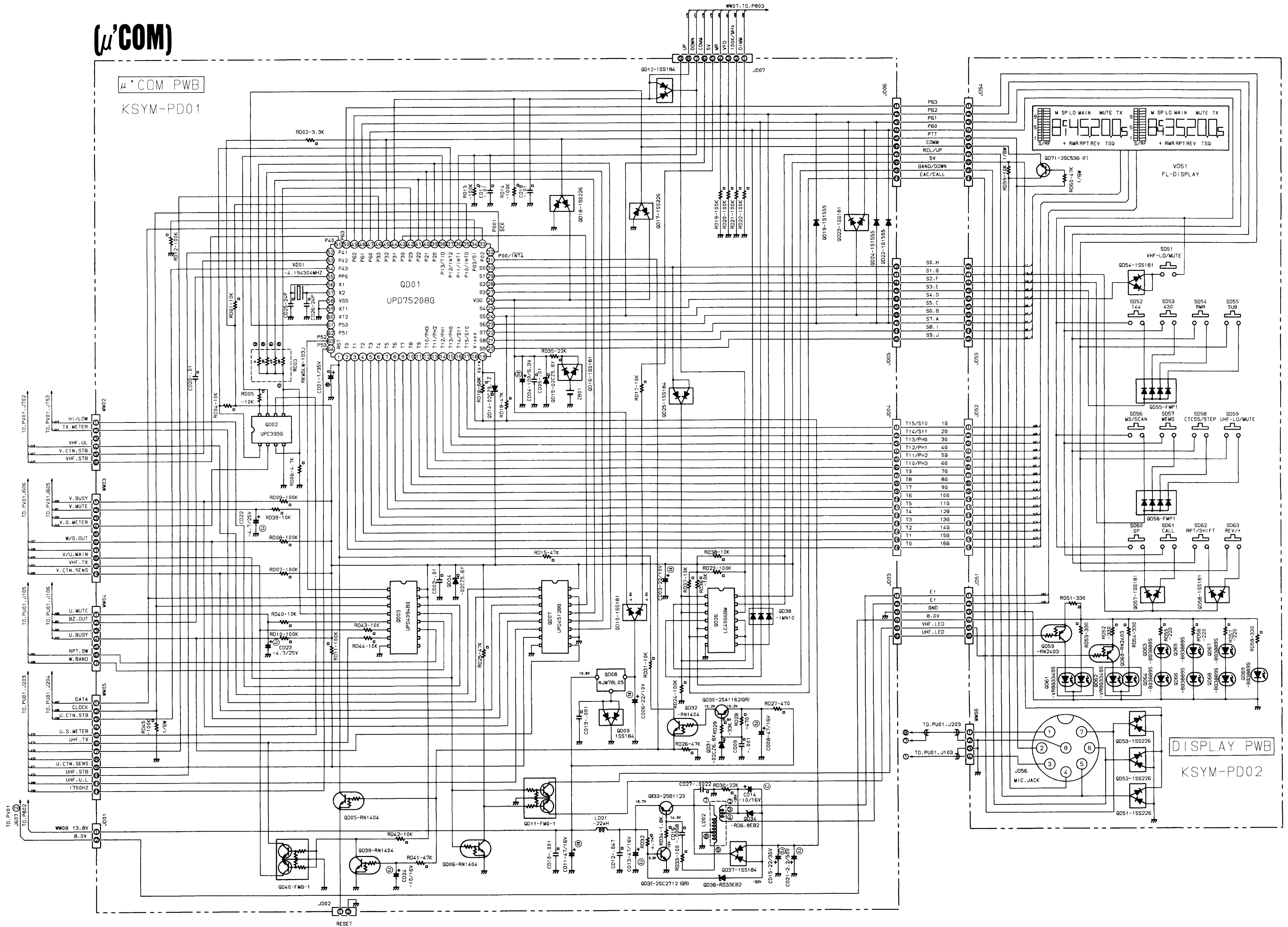
NOTE2

REF	10W	50W
Q154	S-AV5	S-AV17
Q155	M130B	M1407
Q156	M1301	M130B
R155	33-1/2W	-
R160	-	33-1/2W
R168	3.3K-1/10W	2.2K-1/10W
R171	0-1/10W	2.2K-1/10W
R172	4.7K-1/10W	3.3K-1/10W
R175	-	10-1W
R177	1K-1/10W	680-1/10W
R178	1K-1/10W	1.5K-1/10W
C170	20P (500V)	2P (500V)
C196	-	220/16V
C551	0.5P	-
C553	-	0.047
C554	-	10/16V
C556	-	9P (500V)
CP55	-	1/50V
J152	-	2PIN
M801	-	FAN MOTOR
ST51	-	OHD-1
WW15	-	2PIN

NOMARKING CAPACITORS AND RESISTORS ARE ALL CHIP PARTS

(μ'COM)

μ'COM PWB
KSYM-PD01



DISPLAY PWB
KSYM-PD02