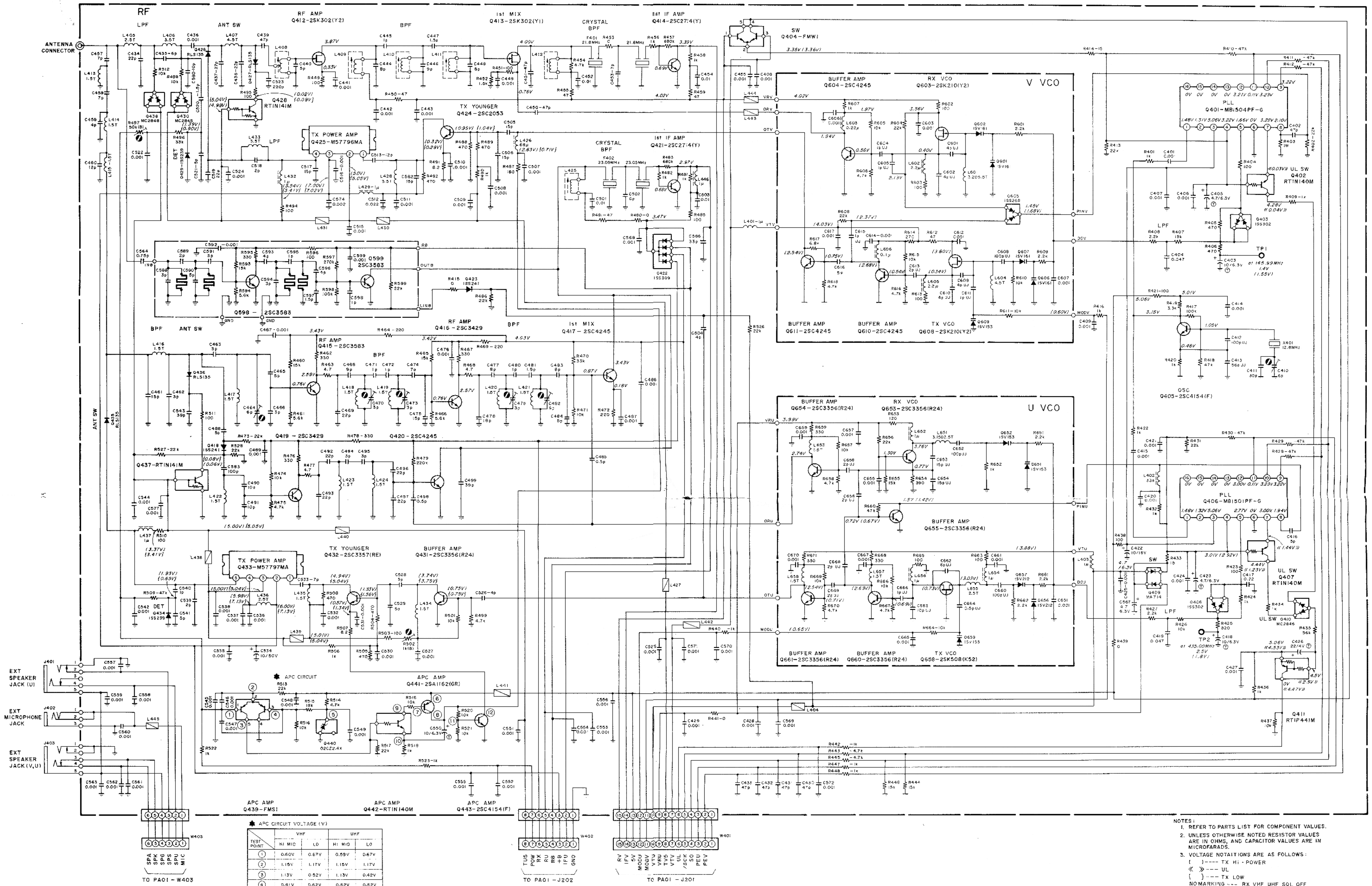


NOTES:
 1. REFER TO PARTS LIST FOR COMPONENT VALUES.
 2. UNLESS OTHERWISE NOTED RESISTOR VALUES ARE IN OHMS, AND CAPACITOR VALUES ARE IN MICROFARADS.
 3. VOLTAGE NOTATIONS ARE AS FOLLOWS:
 () ---TX HI POWER
 [] ---LAMP ON
 () ---TX MID
 E ---SQL ON TIGHT
 { } ---UL
 { } ---INSURT PLUG INTO SPU TERMINAL
 { } ---TX LOW
 NO MARKING---RX VHF, SQL OFF

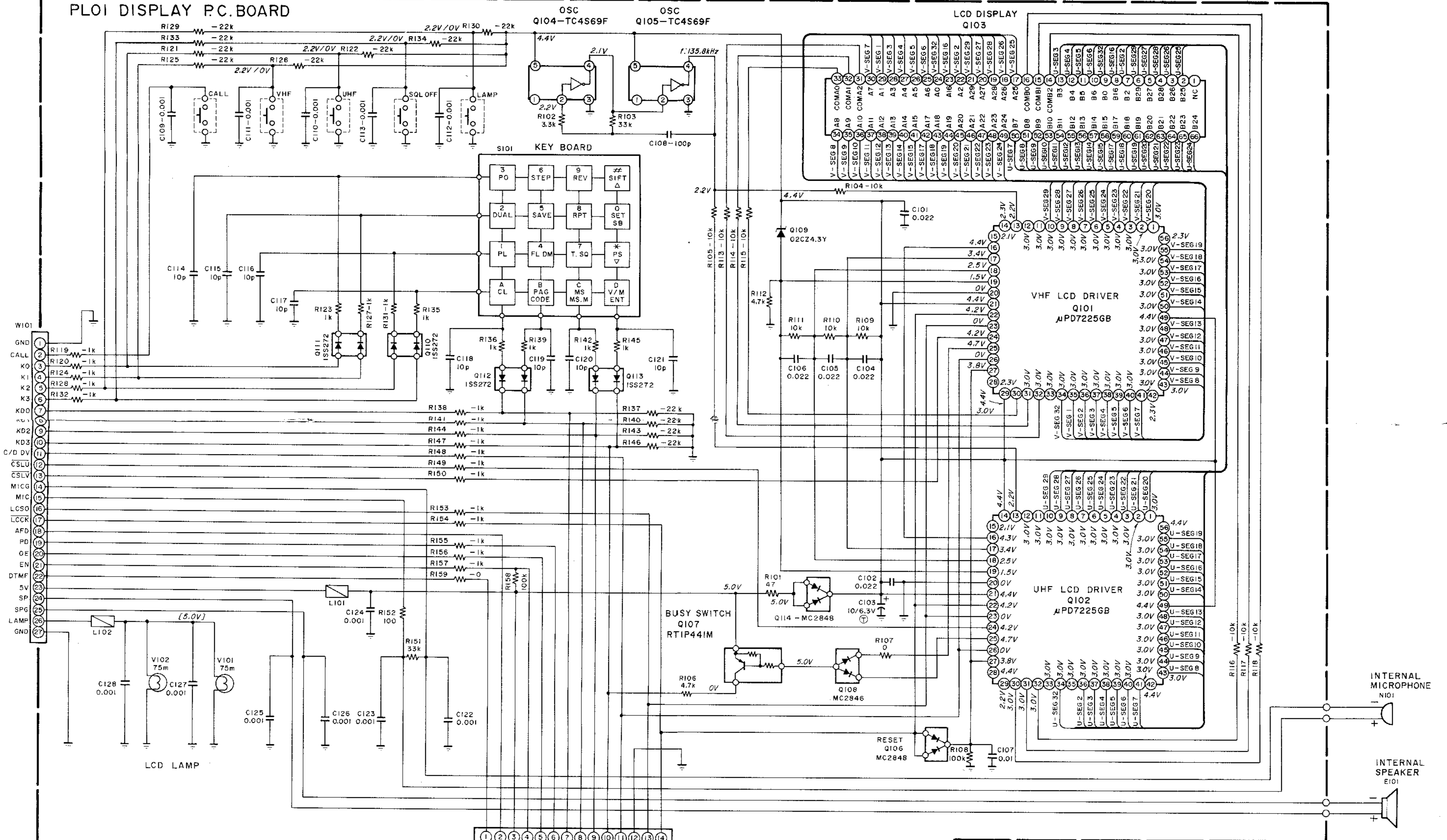


APC CIRCUIT VOLTAGE (V)

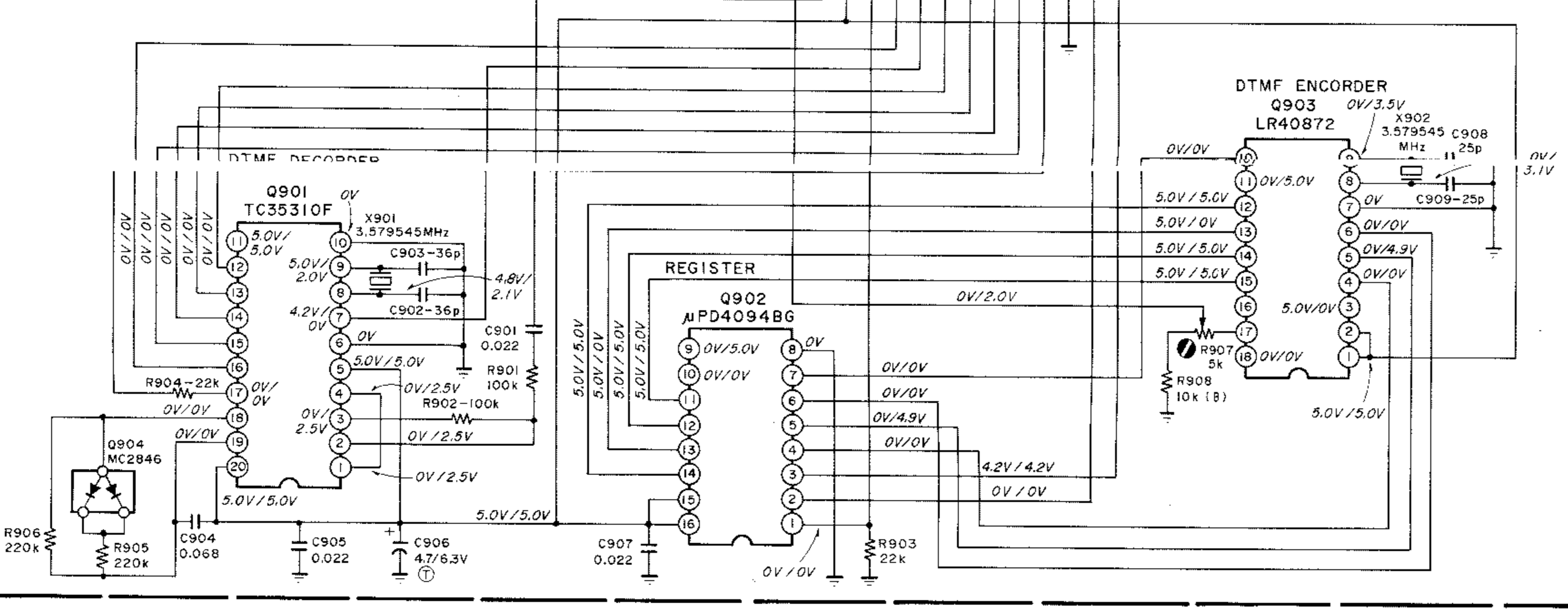
TEST POINT	HI MID	LO	HI MID	LO
1	0.60V	0.67V	0.59V	0.67V
2	1.19V	1.17V	1.15V	1.17V
3	1.13V	0.52V	1.13V	0.42V
4	0.81V	0.62V	0.62V	0.62V
5	1.76V	1.76V	1.75V	1.76V
6	5.01V	5.03V	5.02V	5.04V
7	4.28V	4.37V	4.29V	4.46V
8	4.93V	1.39V	4.93V	1.52V
9	0.44V	4.21V	0.43V	4.45V
10	0.39V	0.01V	0.39V	0V
11	0.64V	0.55V	0.74V	0.65V
12	0V	0V	0.18V	1.30V

NOTES:
 1. REFER TO PARTS LIST FOR COMPONENT VALUES.
 2. UNLESS OTHERWISE NOTED RESISTOR VALUES ARE IN OHMS, AND CAPACITOR VALUES ARE IN MICROFARADS.
 3. VOLTAGE NOTATIONS ARE AS FOLLOWS:
 () --- TX HI - POWER
 < --- UL
 { } --- TX LOW
 NOMARKING --- RX VHF UHF SQL OFF

PLOI DISPLAY P.C. BOARD



PD01 DTMF P.C. BOARD



- NOTES:
1. REFER TO PARTS LIST FOR COMPONENT VALUES.
 2. UNLESS OTHERWISE NOTED RESISTOR VALUES ARE IN OHMS, AND CAPACITOR VALUES ARE IN MICROFARADS.
 3. VOLTAGE NOTATIONS ARE AS FOLLOWS:
 [] --- LAMP ON
 [] --- RX VHF, UHF SQL OFF