

SWAN ELECTRONICS

MODEL: ND/DVE
DATE: 5-25-74

APPROVED BY: *W*

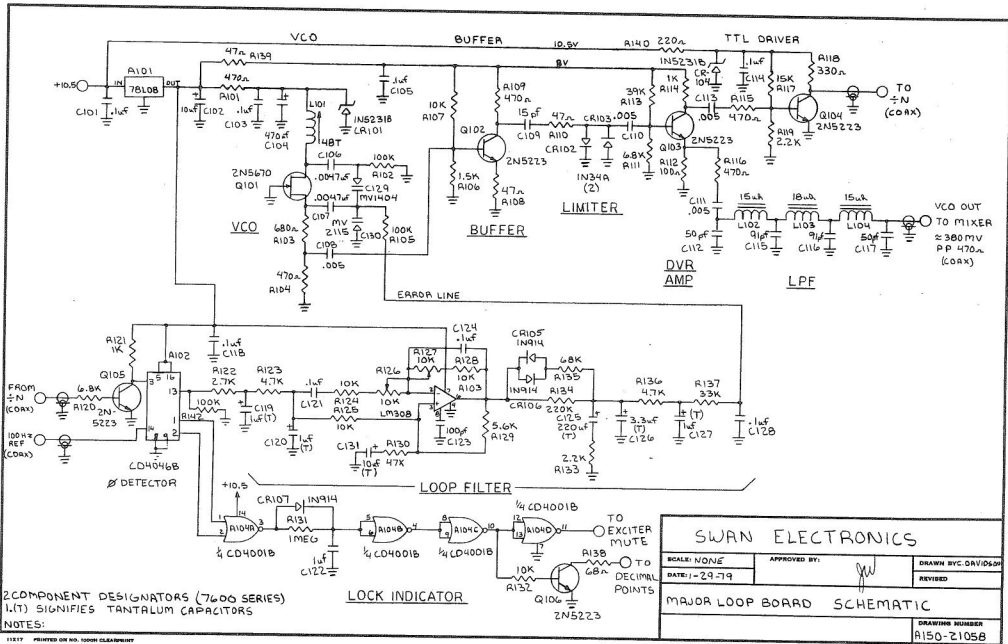
DRAWN BY: Z. DAVISON
REVIEWED

PROJ

EXCITER BAD LAYOUT DWG.

0176

DRAWING NUMBER
A150-230A



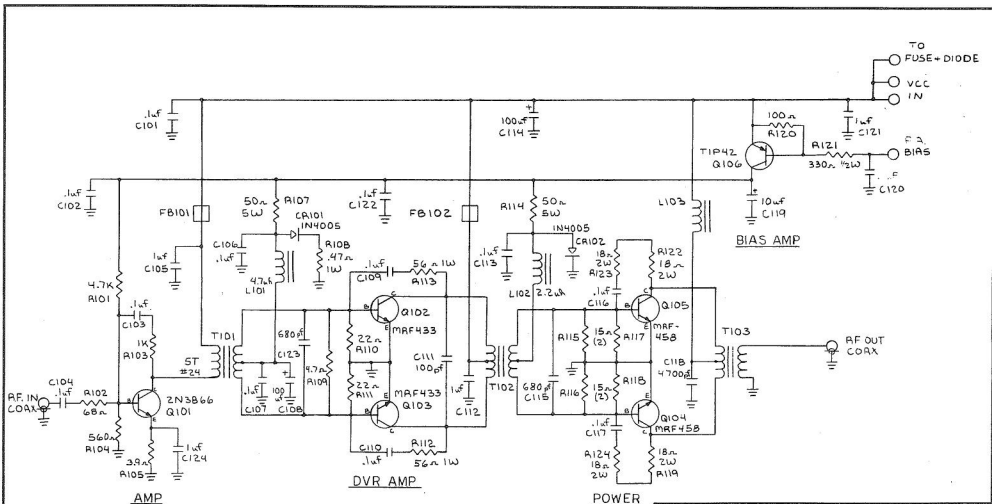
SWAN ELECTRONICS

SCALE: NONE	APPROVED BY:	DRAWN BY: DAVIDSON
DATE: 1-29-79		REVISION
MAJOR LOOP BOARD SCHEMATIC		
		DRAWING NUMBER
		A150-2105B

2 COMPONENT DESIGNATORS (7600 SERIES)
 1(T) SIGNIFIES TANTALUM CAPACITORS

LOCK INDICATOR

NOTES:



COMPONENT DESIGNATORS (6000 SERIES)

NOTES

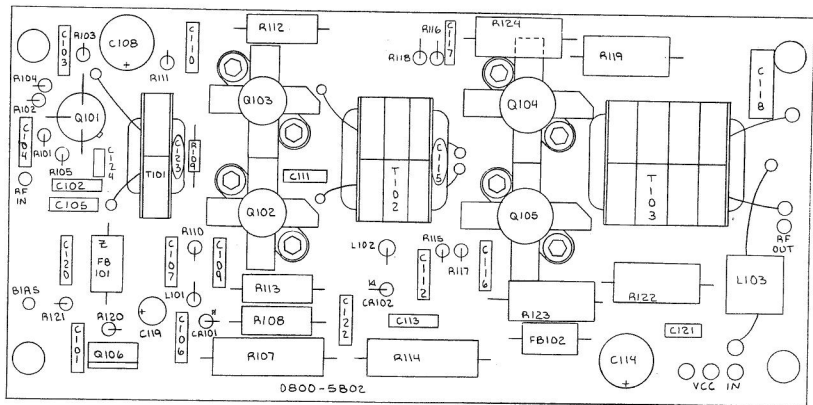
FCN	DESCRIPTION	DATE	APPD
B	REPLACED ALL .05μF CAPS WITH .1μF CD5-30-79	6-1-79	<i>[Signature]</i>
LTR	REVISIONS		

SWAN ELECTRONICS

SCALE: NONE	APPROVED BY:	DRAWN BY: DAVIDSON
DATE: 1-2-78		REVISED

POWER AMP BOARD SCHEMATIC

REV B	DRAWING NUMBER 0800-2402B
-------	---------------------------



SWAN ELECTRONICS

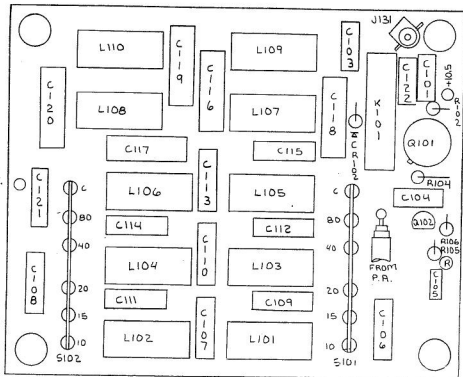
SCALE: NONE	APPROVED BY:	DRAWN BY: C. DAVIDSON
DATE: 1-2-78		REVISED:

POWER AMP BOARD LAYOUT

DRAWING NUMBER	0800-2302
----------------	-----------

1. COMPONENT DESIGNATORS (6000 SERIES)
 NOTES:

TO ANT.



SWAN ELECTRONICS

SCALE: NONE

APPROVED BY:

DRAWN BY: DAVIDSON

DATE: 1-9-78

REVISED

PROJ

LOW PASS FILTER BRD LAYOUT

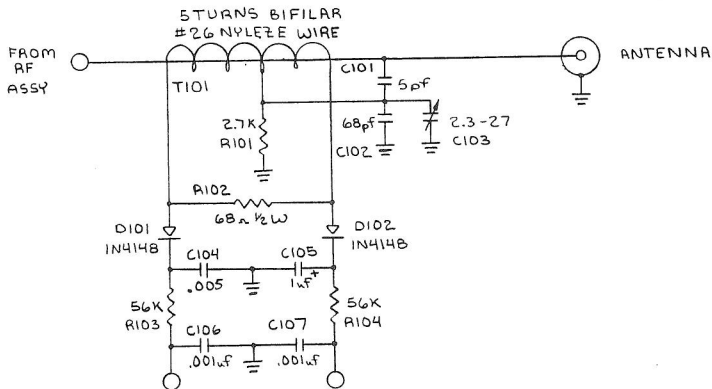
0176

DRAWING NUMBER

A150-2301

1. COMPONENT DESIGNATORS (3000 SERIES)

NOTES:



SWAN ELECTRONICS

SCALE: NONE

APPROVED BY:

DRAWN BY: DAVIDSON

DATE: 1-11-79

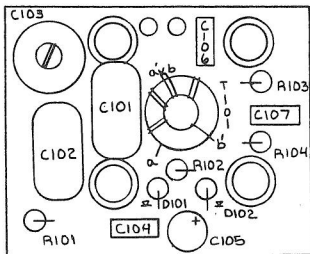
REVISED

SWR/WATTMETER BRD SCHEMATIC

DRAWING NUMBER

0800-2403

1. COMPONENT DESIGNATORS (7700 SERIES)



SWAN ELECTRONICS

SCALE: NONE

APPROVED BY:

DRAWN BY C. DAVIDSON

DATE: 1-11-79

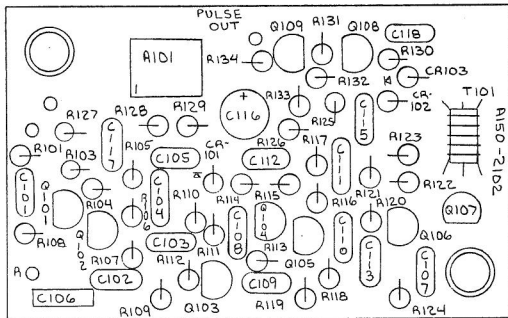
REVISED

SWR/WATTMETER BAD LAYOUT

DRAWING NUMBER

0800 2303

COMPONENT DESIGNATORS (7700 SERIES)



SWAN ELECTRONICS

SCALE: NONE

APPROVED BY:

ju

DRAWN BY C. DAVIDSON

DATE: 1-12-79

REVISED

PROJ.

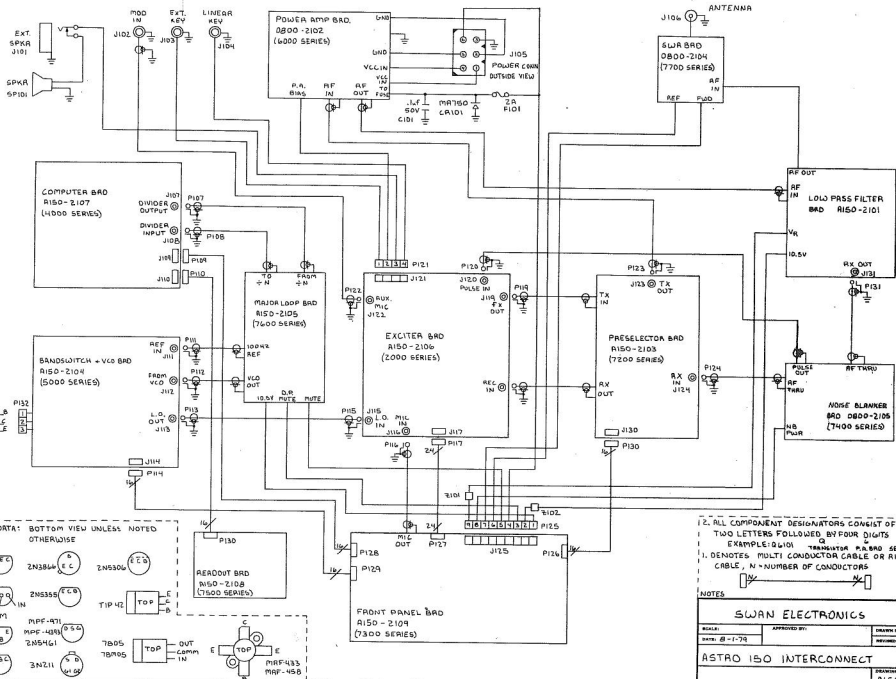
A150 NOISE BLANKER BOARD LAYOUT

D176

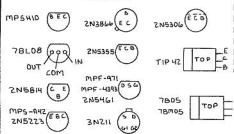
DRAWING NUMBER

0800-2304

1. COMPONENT DESIGNATORS (7400 SERIES)



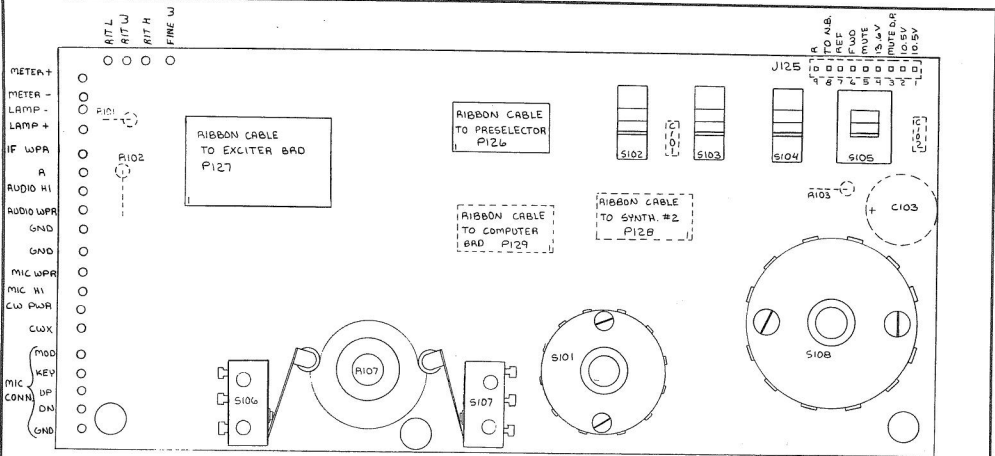
TRANSISTOR DATA: BOTTOM VIEW UNLESS NOTED OTHERWISE



1. ALL COMPONENT DESIGNATORS CONSIST OF ONE OR TWO LETTERS FOLLOWED BY FOUR DIGITS. EXAMPLE: Q101 Q 101
 2. DENOTES MULTI CONDUCTOR CABLE OR RIBBON CABLE, N = NUMBER OF CONDUCTORS

NOTES

SWAN ELECTRONICS		
DESIGN: _____	APPROVED BY: _____	DRAWN BY: CDR/2580
ASTRO 150 INTERCONNECT		
DATE: 8-1-78		REVISION: _____
DRAWING NUMBER: _____		ASTRO-2801

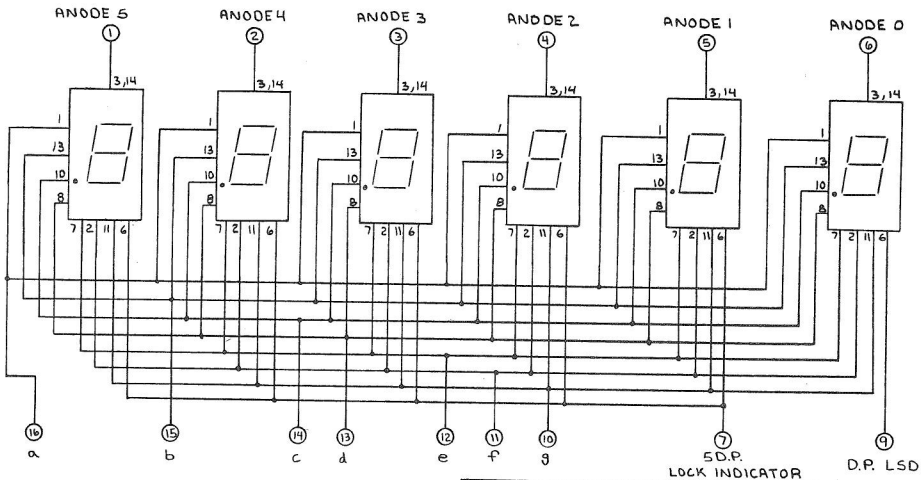


SWAN ELECTRONICS		
SCALE: NONE	APPROVED BY: <i>SW</i>	DRAWN BY C. DAVIDSON
DATE: 6-1-79		REVISED
FRONT PANEL BAD LAYOUT		
DRAWING NUMBER		150-2309

1. COMPONENT DESIGNATORS (7300 SERIES)

NOTES

TEXT PRINTED ON NO. 10000 CLEARPRINT



SWAN ELECTRONICS

SCALE: NONE

APPROVED BY:

DRAWN BY: DAVIDSON

DATE: 2-14-79

REVISED

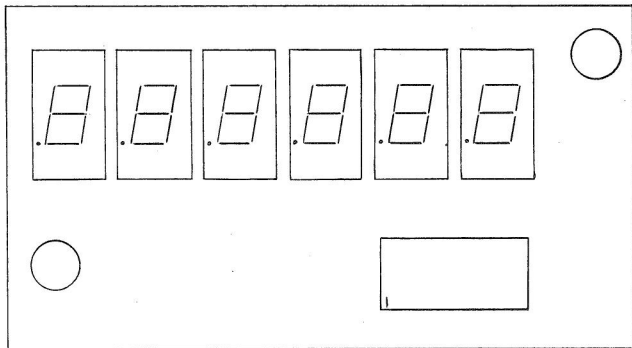
READOUT BRD. SCHEMATIC

DRAWING NUMBER

0150 2100

1. COMPONENT DESIGNATORS (7500 SERIES)

NOTES:



SWAN ELECTRONICS

SCALE: NONE

APPROVED BY:

DRAWN BY: DAVIDSON

DATE: 2-5-79

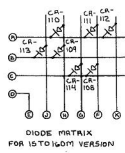
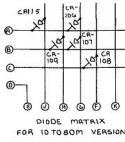
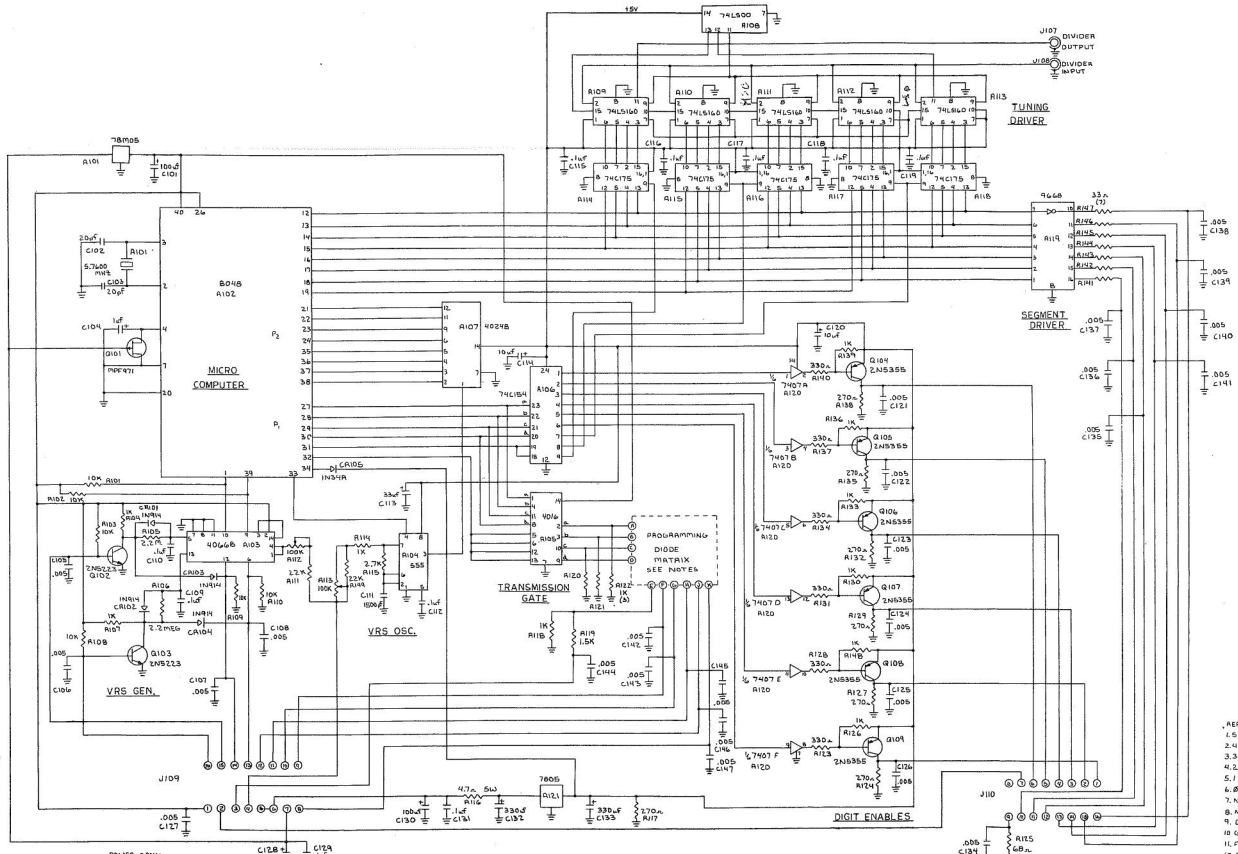
fw

REVISED

READOUT BAD LAYOUT DWG.

DRAWING NUMBER
R150-2308

1. COMPONENT DESIGNATORS (7500 SERIES)



SIDEBAND BAND AND V INPUT INFORMATION

BAND	A	C	B	X
10	0	0	0	0
15	0	0	0	1
20	0	0	1	0
30	0	1	0	1
40	0	1	1	0
50	0	1	1	1
60	1	0	0	0
70	1	0	0	1
15B	1	0	1	0

- POWER CONN
- 1 13 4 80
 - 2 20PWR TO 10 40
 - 3 15A 11 20
 - 4 VRS 12 15
 - 5 13.0 V 6A 10 UP
 - 6 13.0 V 6A 14 DOWN
 - 7 13LV 15 PNC DRIVEN
 - 8 NC 16 PNC UP

HEADOUT COMB.

1.5	13.0
2.4	14.0
3.3	15.8
4.2	16.8
5.1	
6.8	
7.1NC	
8.0NC	
9.0.P	
10.6	
11.6	
12.E	

SWAN ELECTRONICS

SWAN 240

DATE: 7-21-79

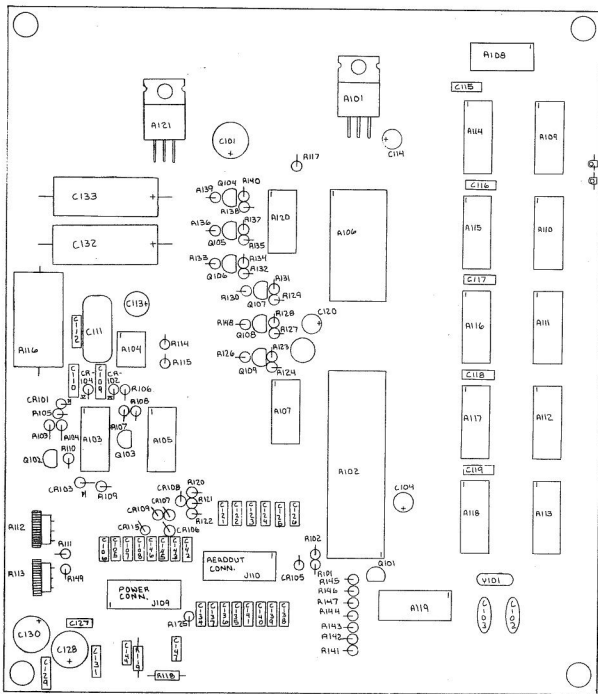
APPROVED BY: [Signature]

DESIGNED BY: C. L. DUNN

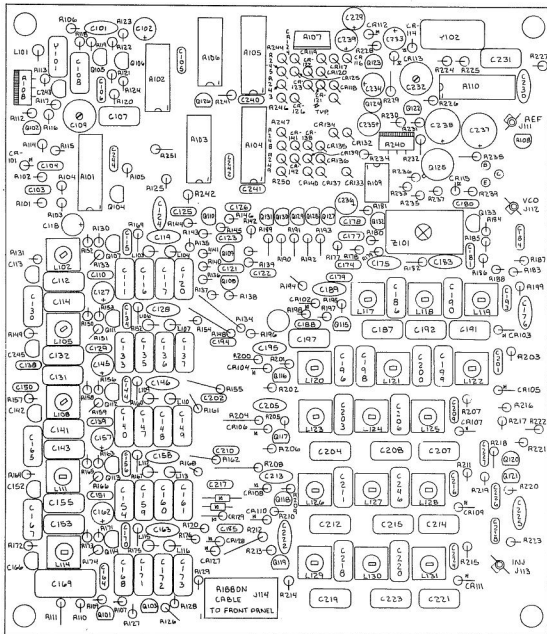
REVISION

COMPUTER BRD SCHEMATIC

SWAN 240



SWAN ELECTRONICS		
SCALE: A1:ONE	APPROVED BY: <i>[Signature]</i>	DRAWN BY: DAVIDSON
DATE: 4-30-79		REVISED
COMPUTER BAD LAYOUT		
		DRAWING NUMBER

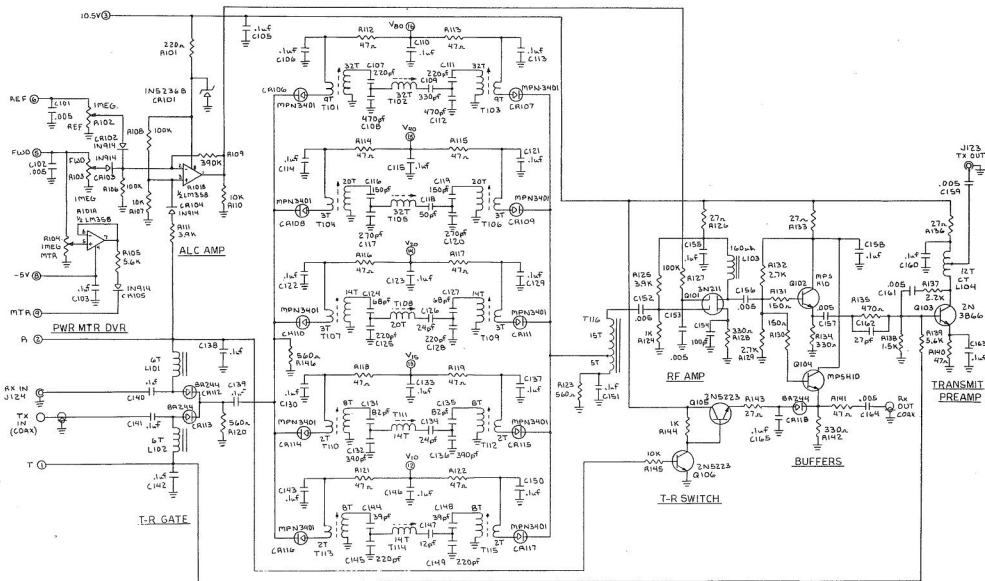


SWAN ELECTRONICS

SCALE: NONE	APPROVED BY:	DRAWN BY: DPH/ROD
DATE: 5-23-79		REVISED:

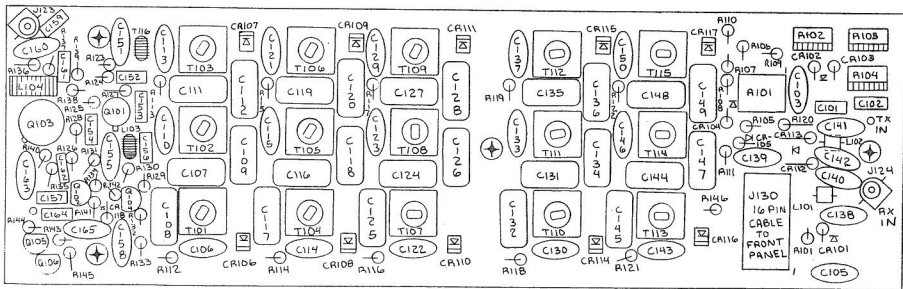
BANDSWITCH + VCO BAD LAYOUT

DRAWING NUMBER
A150-2304



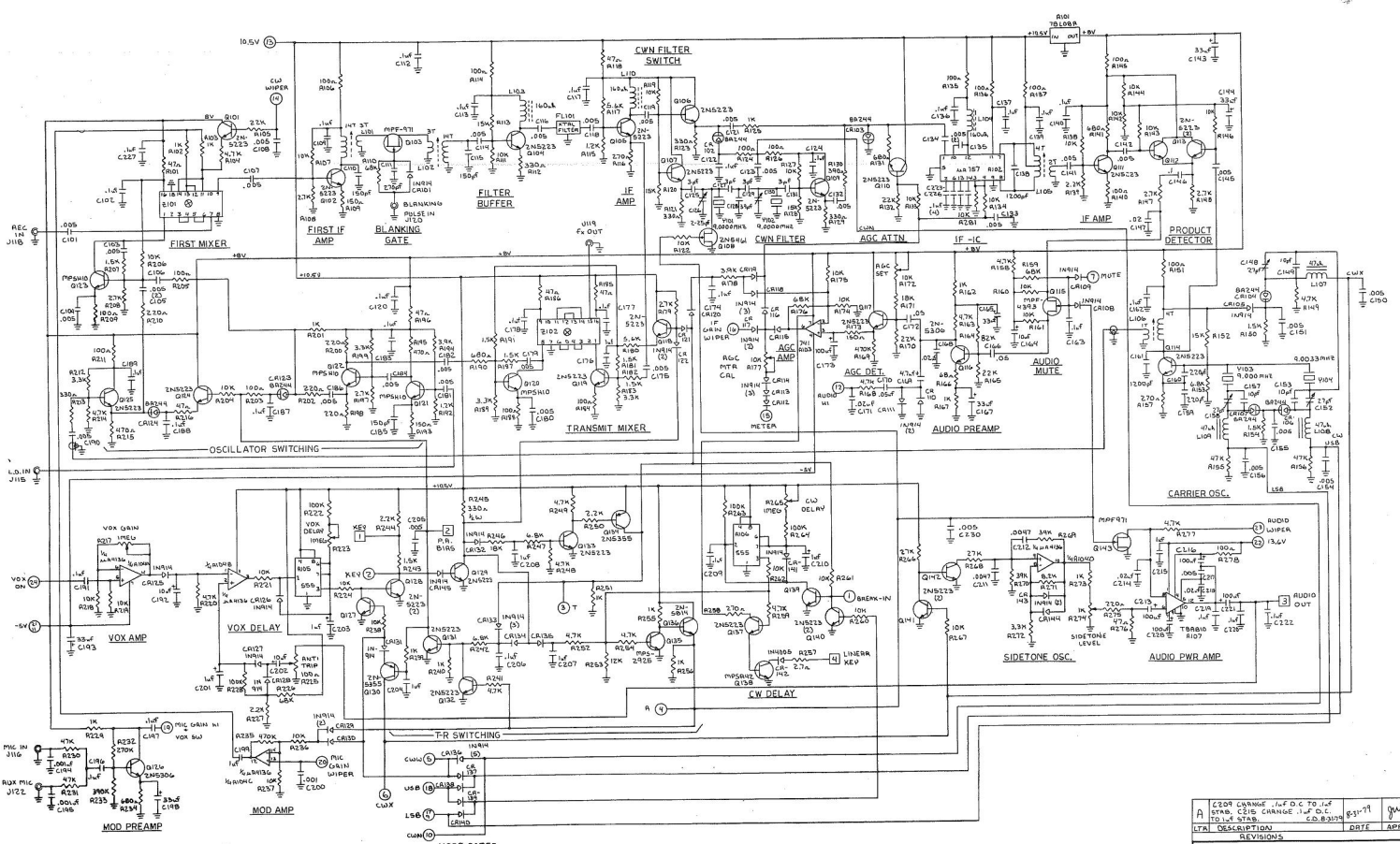
PRESELECTOR BANDPASS FILTERS

SWAN ELECTRONICS		
SCALE: NONE	APPROVED BY: <i>[Signature]</i>	DRAWN BY: C. DRAY/DGM
DATE: 1-26-79		REVISED:
PRESELECTOR BAND SCHEMATIC		
DRAWING NUMBER		



COMPONENT DESIGNATORS (7200 SERIES)
NOTES

SWAN ELECTRONICS		
SCALE: NONE	APPROVED BY: <i>ju</i>	DRAWN BY: DAVI/BJON
DATE: 4-26-79		REVISED
PRESELECTOR BAD LAYOUT		
	DRAWING NUMBER	A150-2303



A CIRCUIT CHANGE LIST FOR THE TOLLA STATION		REV. 11	DATE
TOTAL CIRCULATIONS		DATE	APPROV.
REVISIONS			
SWAN ELECTRONICS			
NAME: P. J. SWAN	DESIGNED BY:	DRAWN BY: P. J. SWAN	
DATE: 7-31-74		REVISIONS	
EXCITER RAD SCHEMATIC			
R150-7406B			