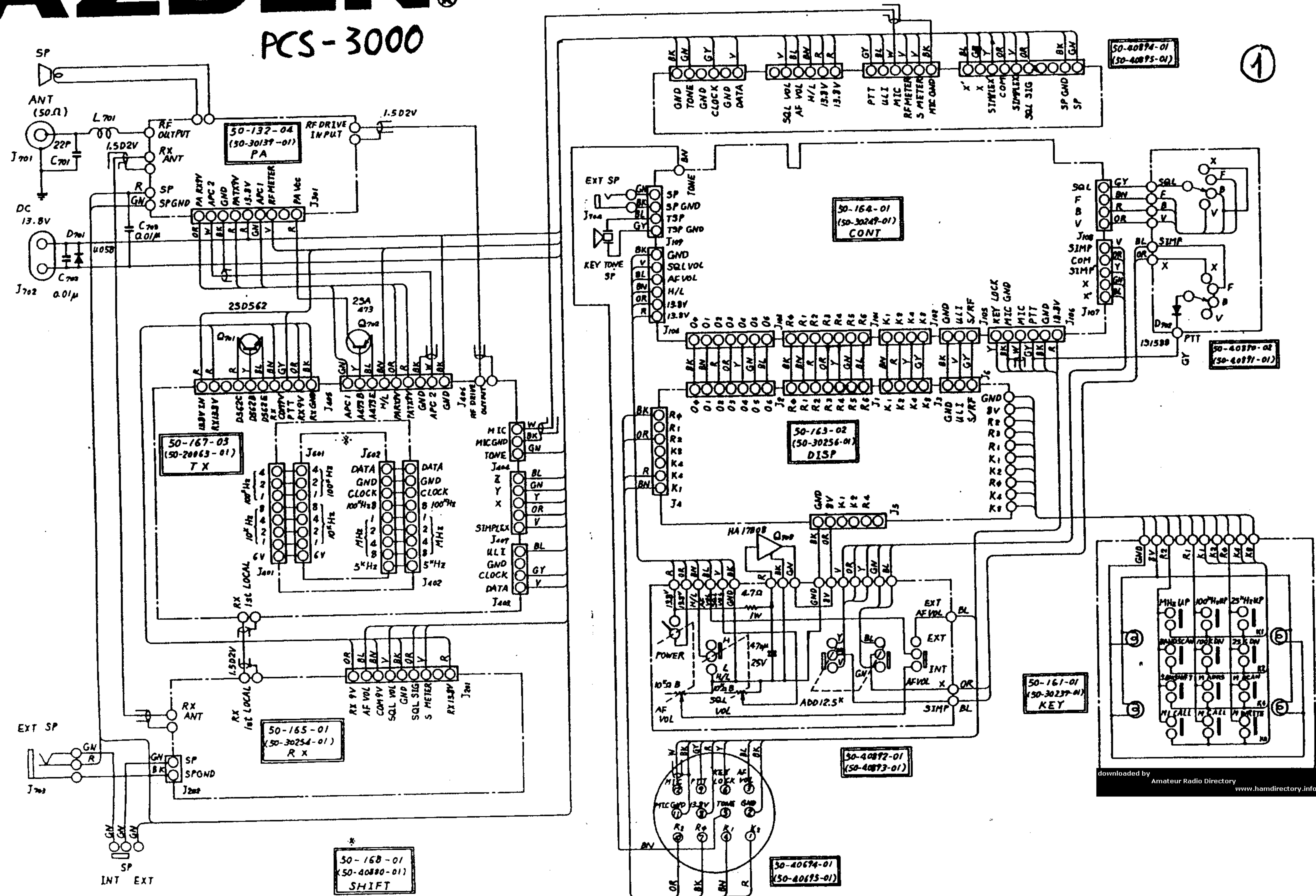
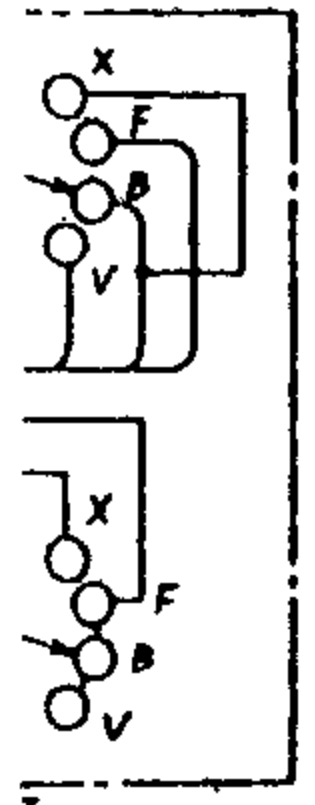


# AZDEN

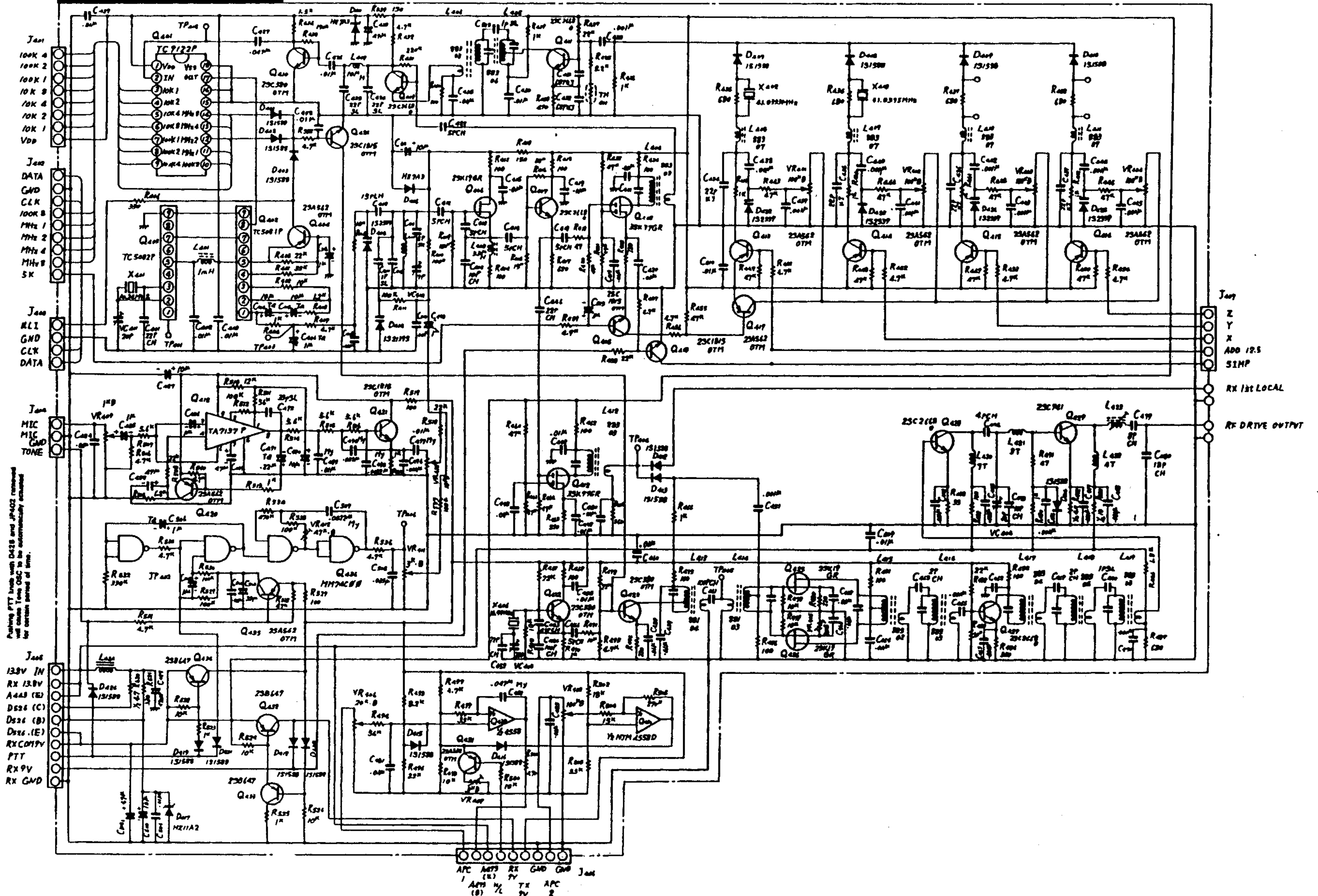
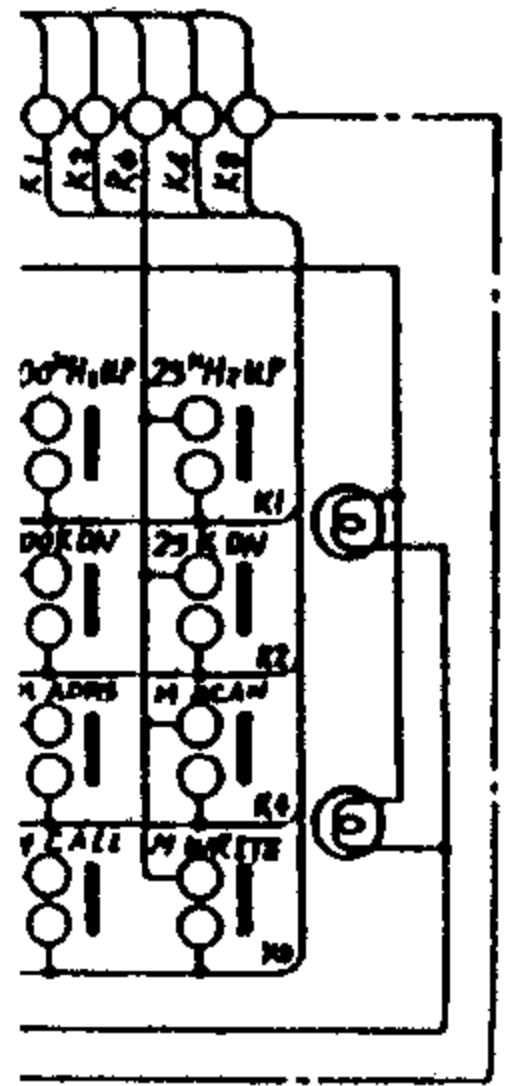
## PCS-3000



# TX ②



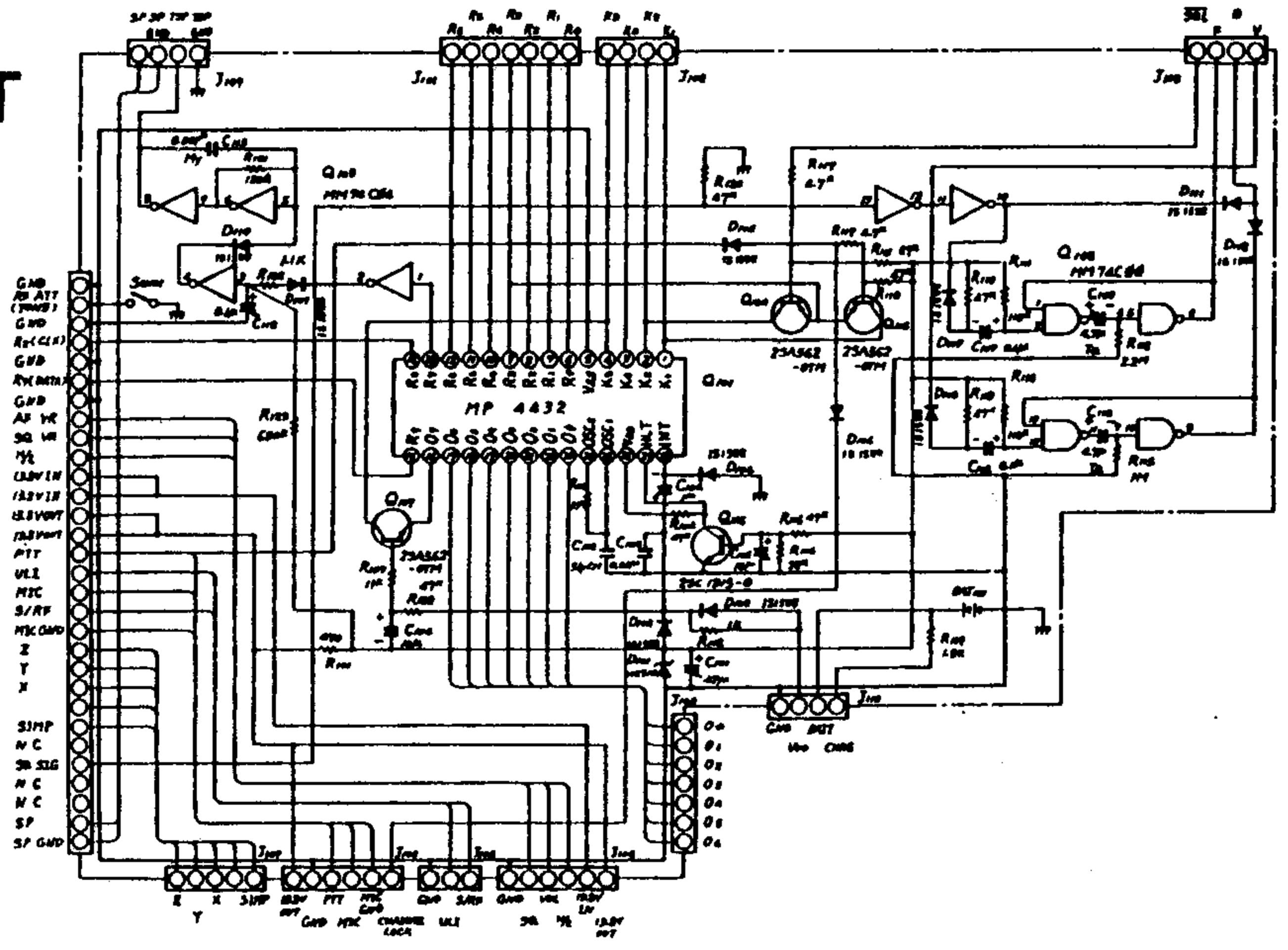
50-40870-02  
(50-40871-01)



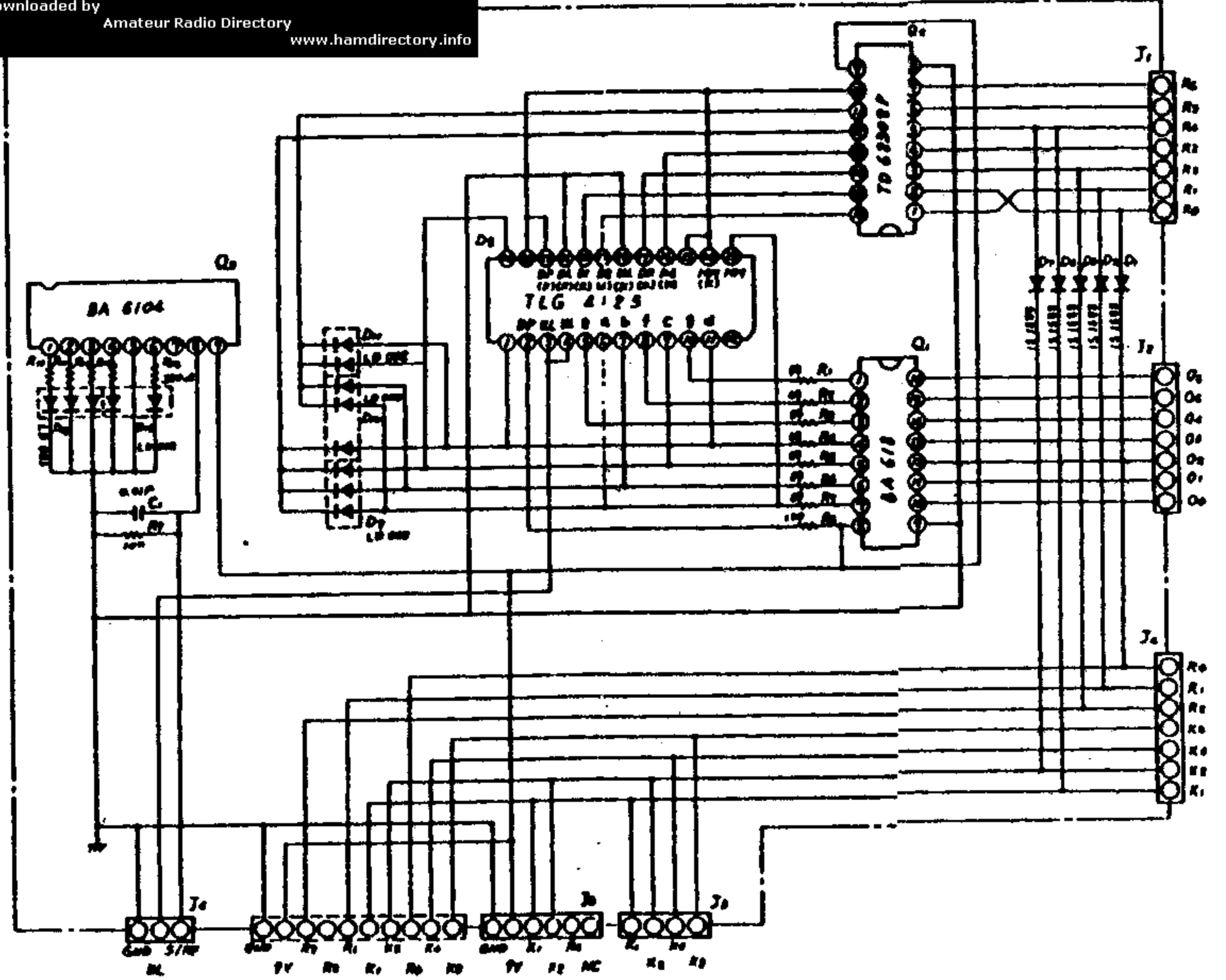
Remove PTT line with D624 and J1042 removed  
to obtain Tone GND to be automatically achieved  
for certain series of lines.

APC A443 RE GND Q40 J105  
1 A443 TX APC  
(B) 1V 2

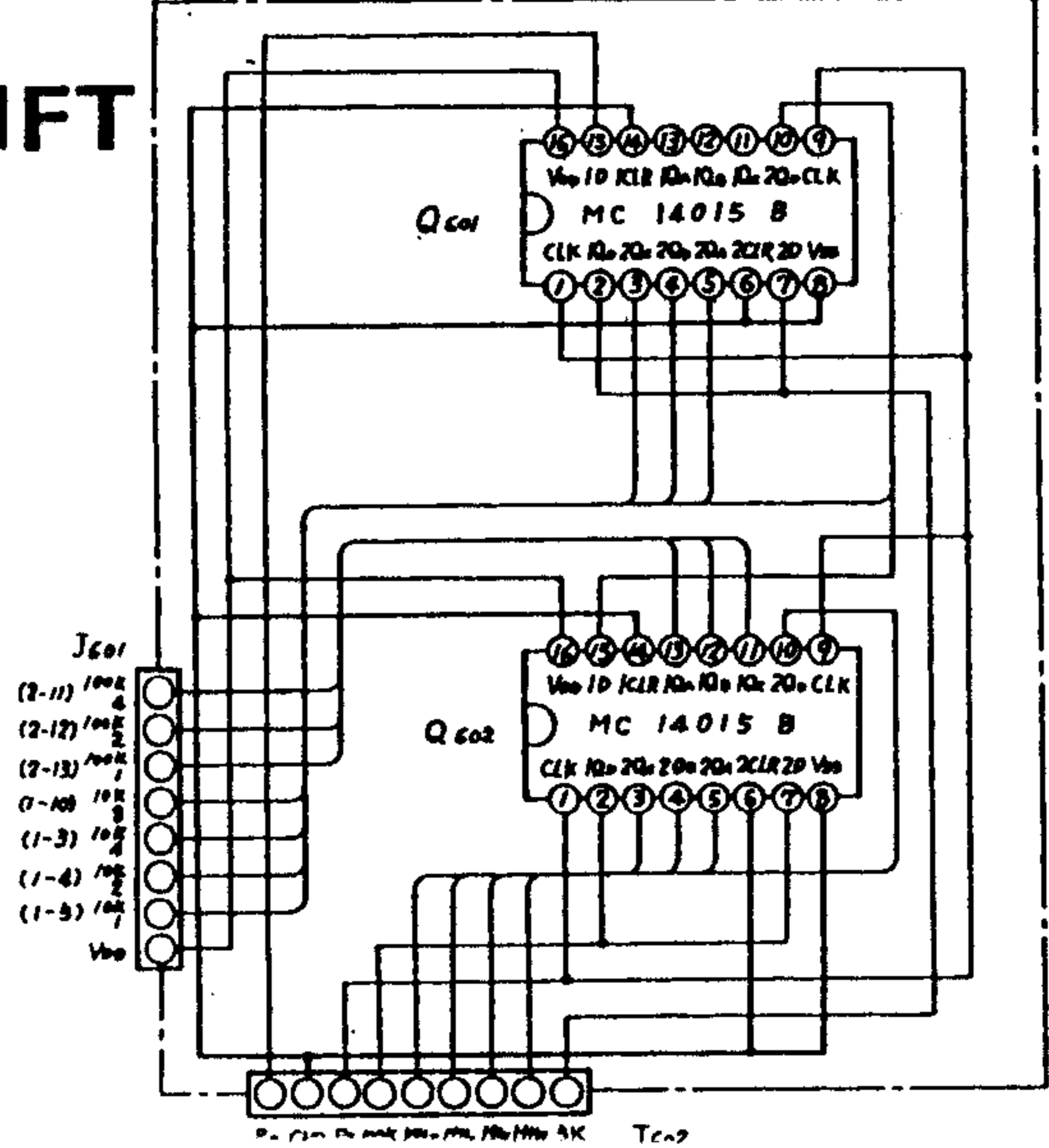
# CONT



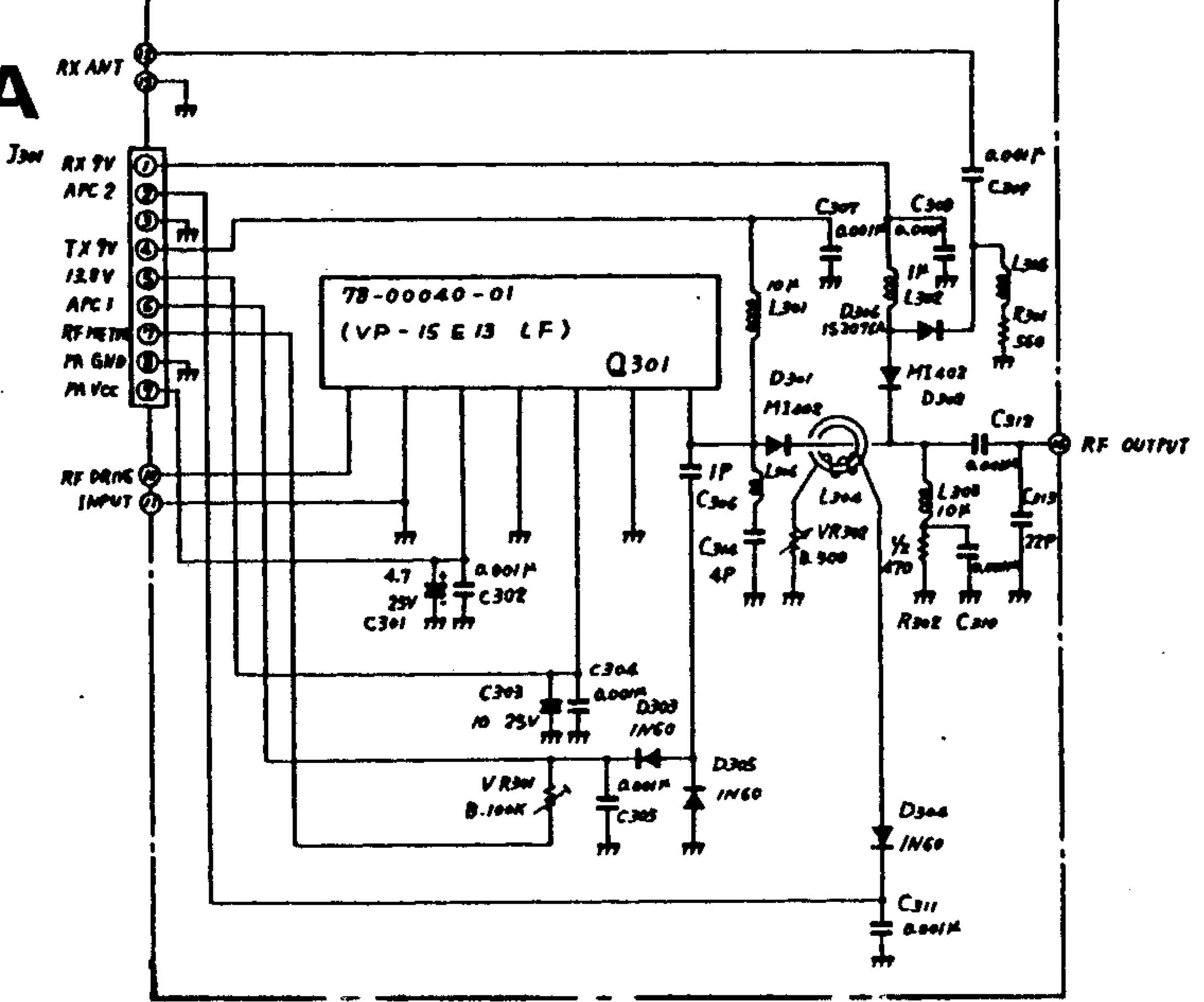
# DISP



# SHIFT



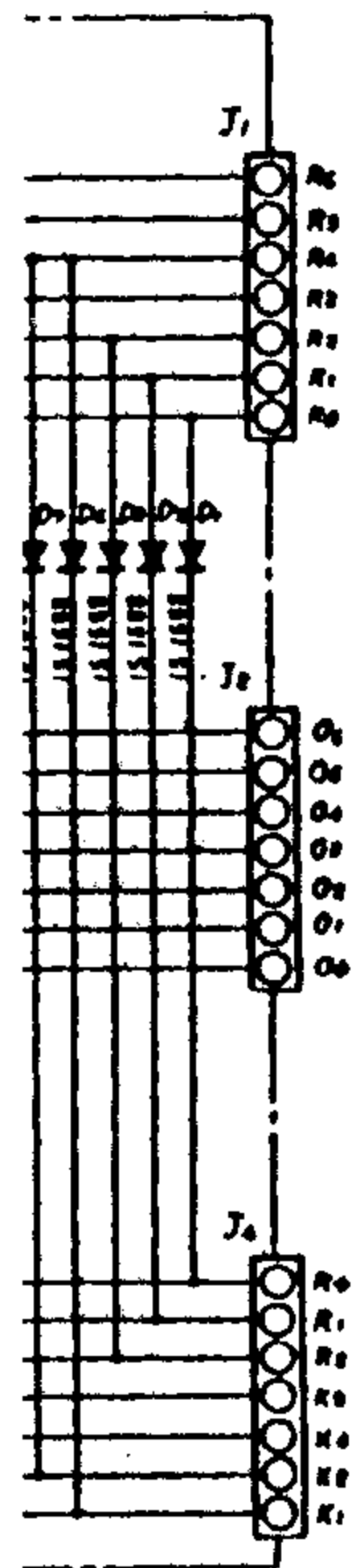
# PA



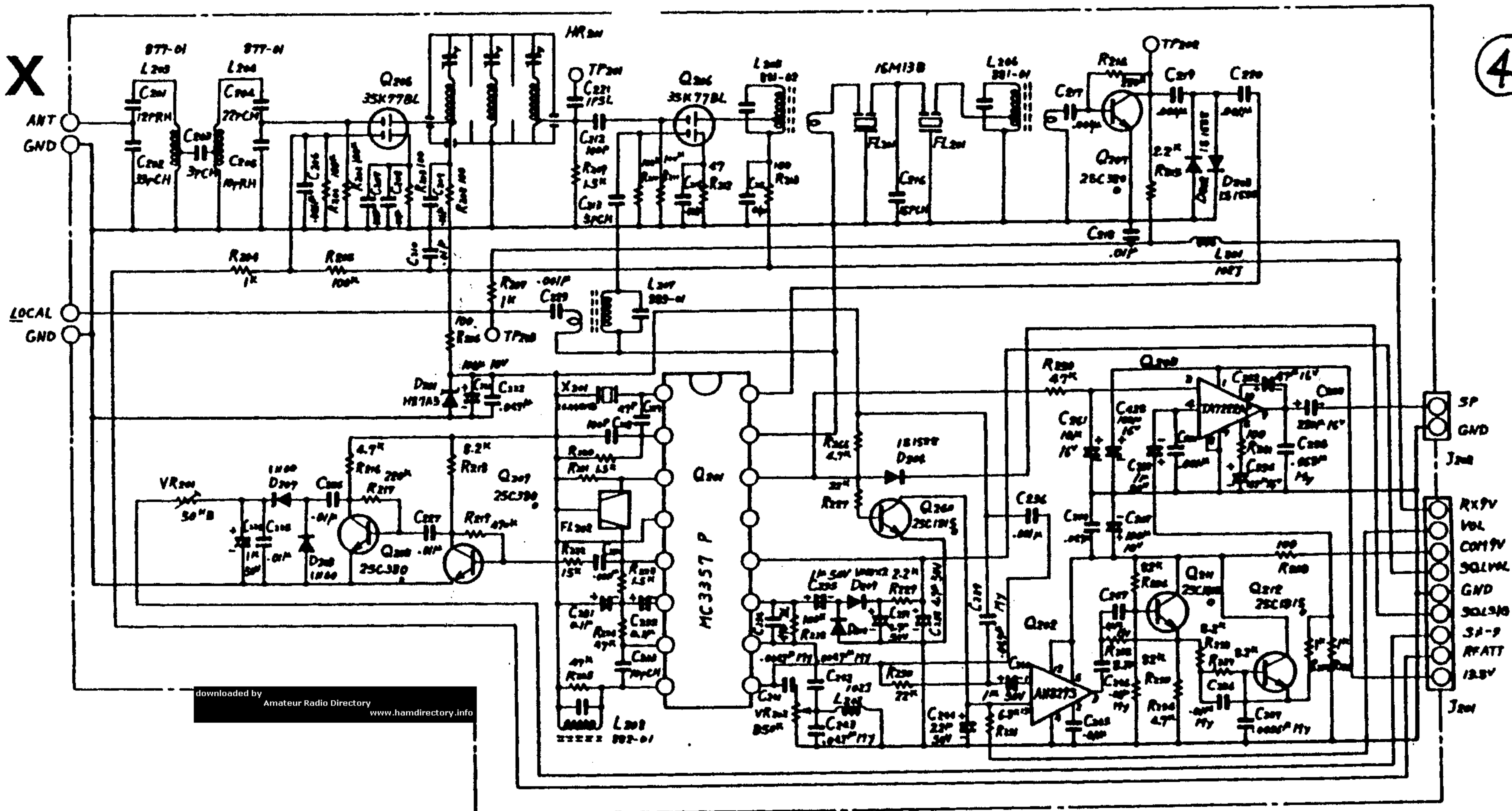
3

UNIT      Ω  
                  μF

Some components subject for an improvement witho



**RX**



downloaded by Amateur Radio Directory www.hamdirectory.info