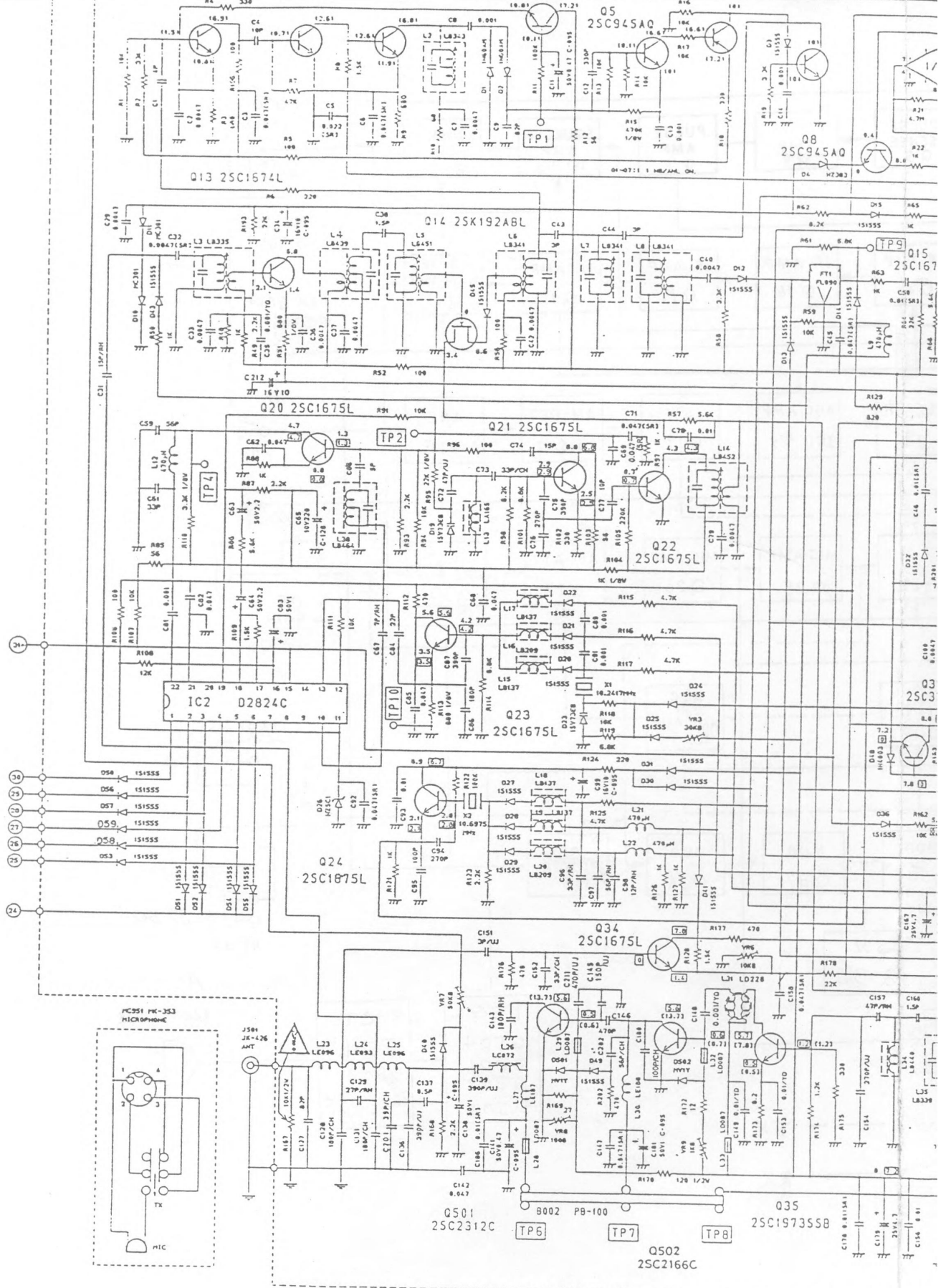
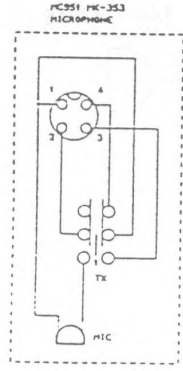
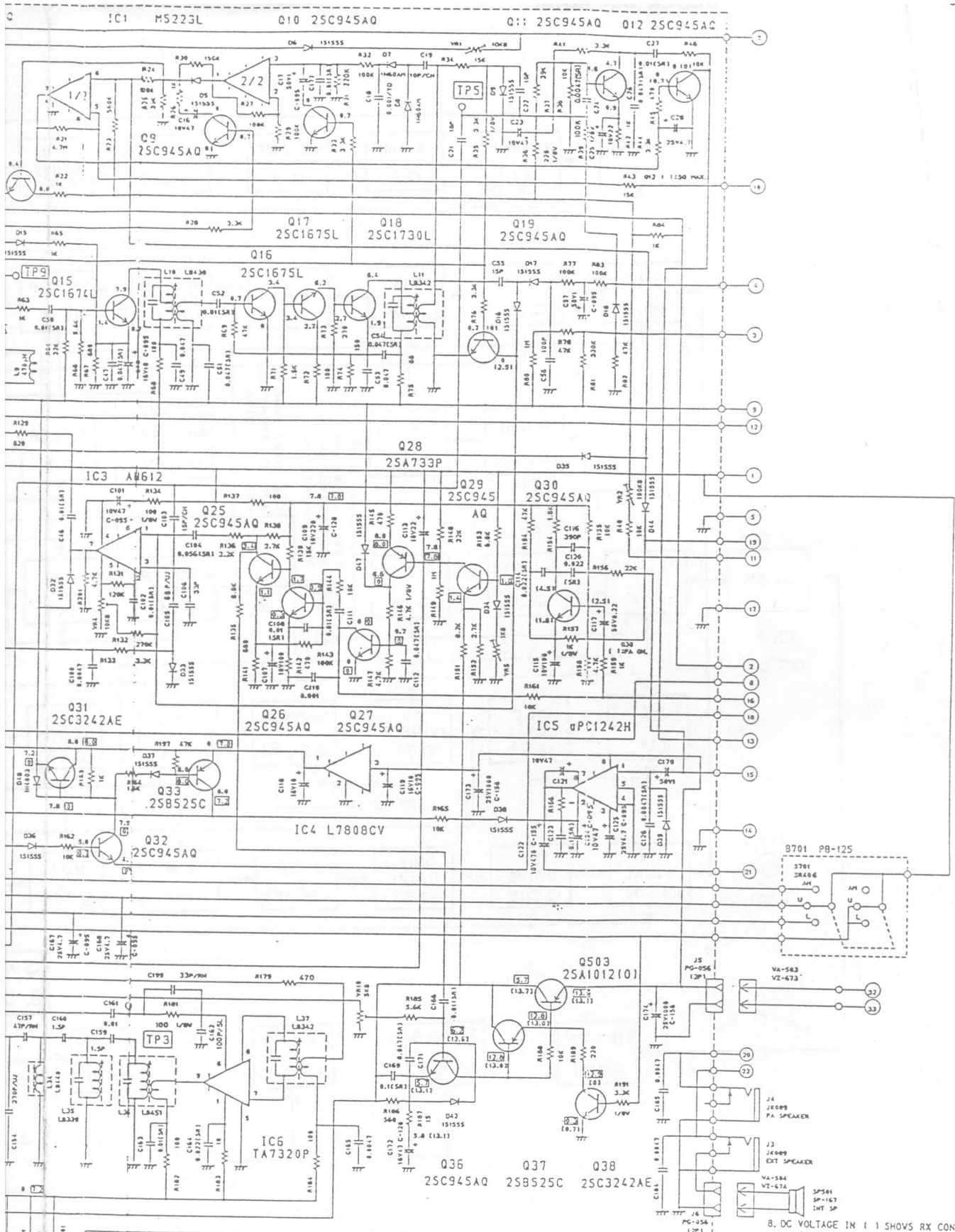


Q1 2SC1675L Q2 2SC1675L Q3 2SC1736L Q4 2SC945A Q5 2SC945A Q6 2SA733P Q7 2SC945A



- 24
- 25
- 26
- 27
- 28





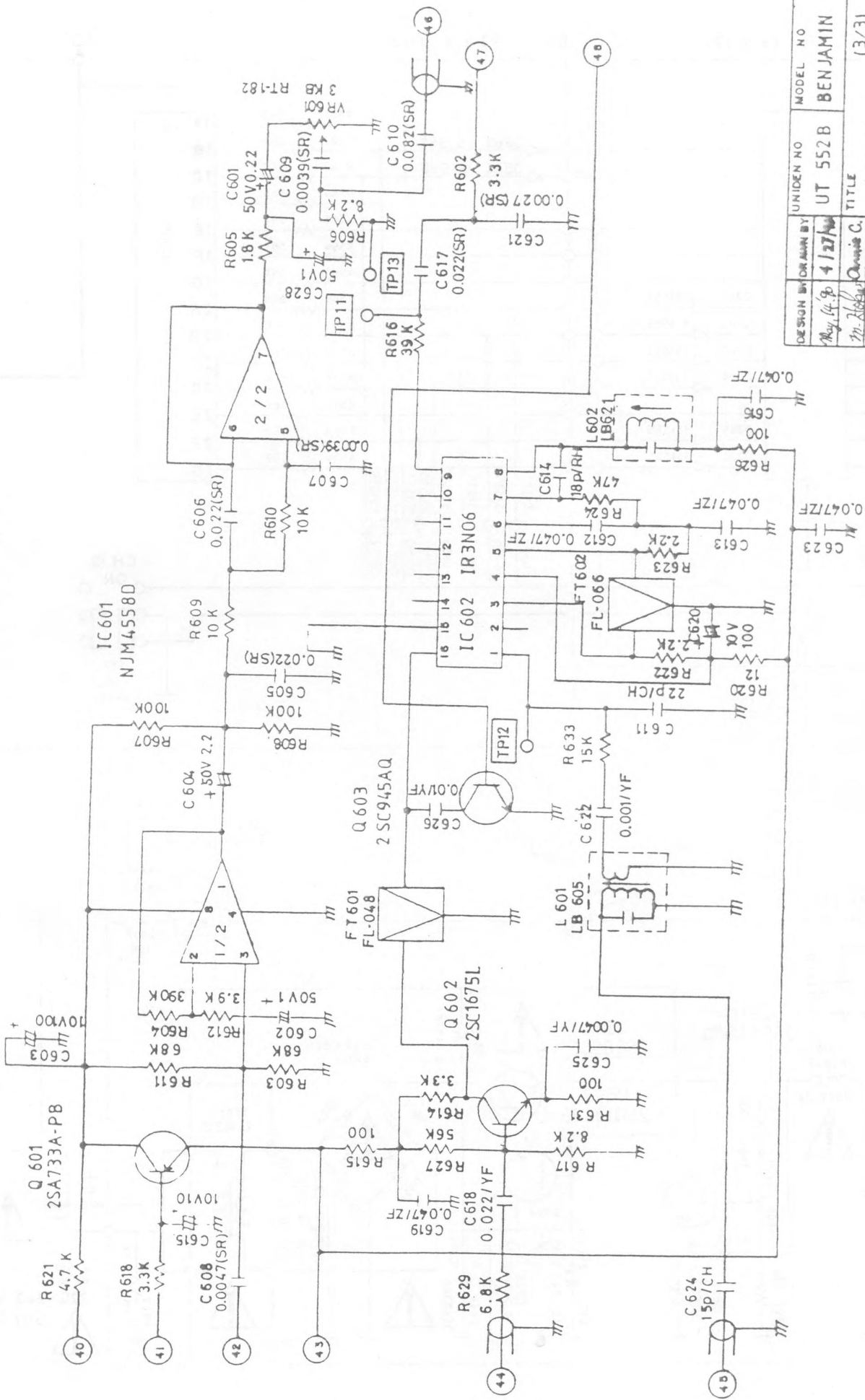
- NOTES:
1. RESISTANCE VALUES ARE SHOWN IN OHMS UNLESS OTHERWISE NOTED. (K-KILO OHM, M-MEG OHM)
 2. RESISTOR WATTAGES ARE 1/6W UNLESS OTHERWISE NOTED.
 3. CAPACITANCE VALUES ARE INDICATED IN MICRO FARADS UNLESS OTHERWISE NOTED. (P-MICRO-MICRO FARAD)
 4. ALL CAPACITORS TEMPERATURE CHARACTERISTICS ARE SL (LESS THAN 1000PF), 2F (0.0047UF) OR YF (0.001UF-0.039UF) UNLESS OTHERWISE NOTED.
 5. DC VOLTAGE IN () SHOWS TX AM CONDITION.
 6. DC VOLTAGE IN () SHOWS TX SSB CONDITION.
 7. DC VOLTAGE IN NO MARK SHOWS RX CONDITION.

8. DC VOLTAGE IN () SHOWS RX CONDITION UNDER OPERATION OF EACH FUNCTION.

PRESIDENT BENJA

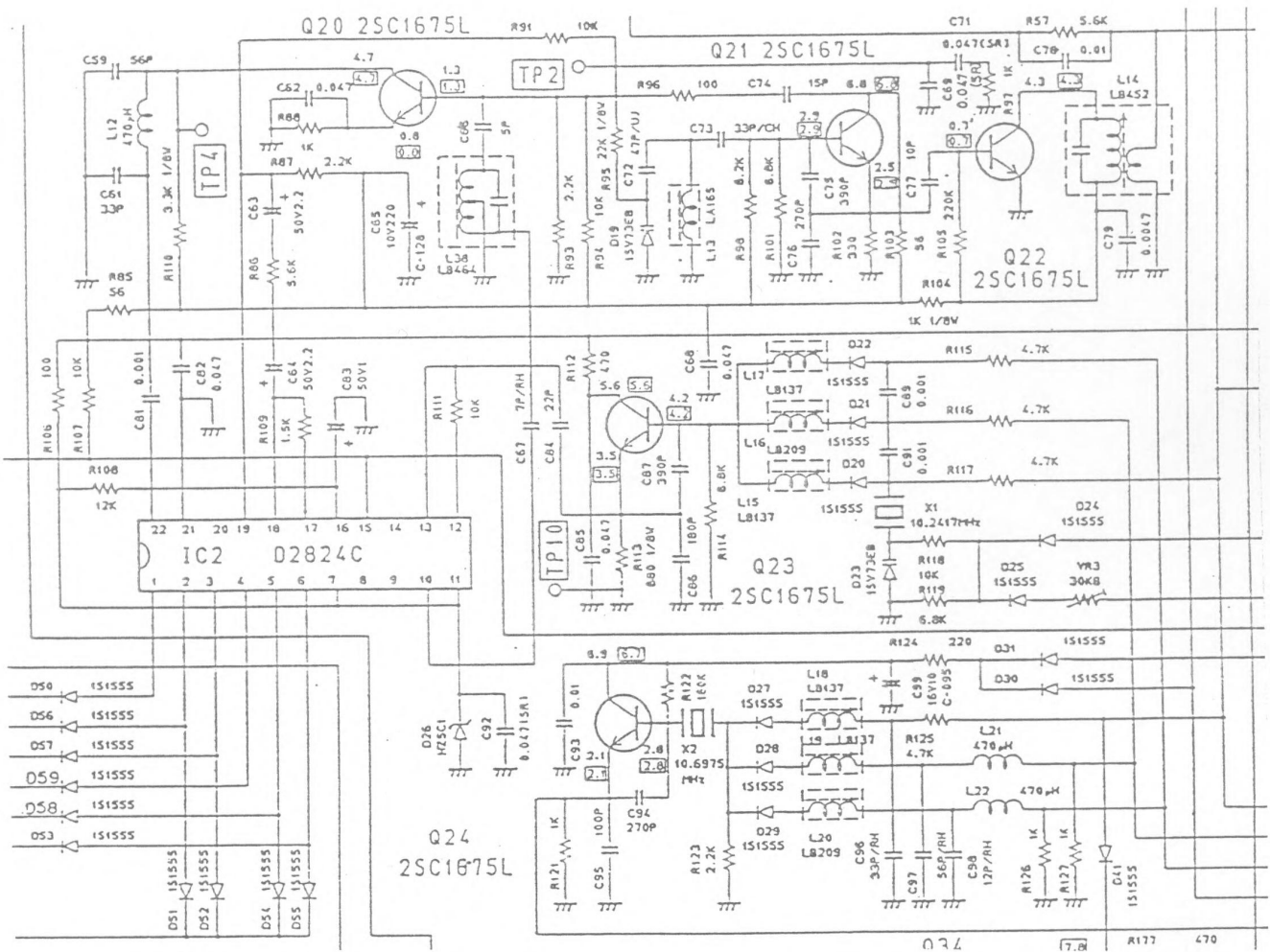
TITLE	11/31
SCHEMATIC DIAGRAM	
DRAWING NO.	E12-2724 1/2
REV. MARK	

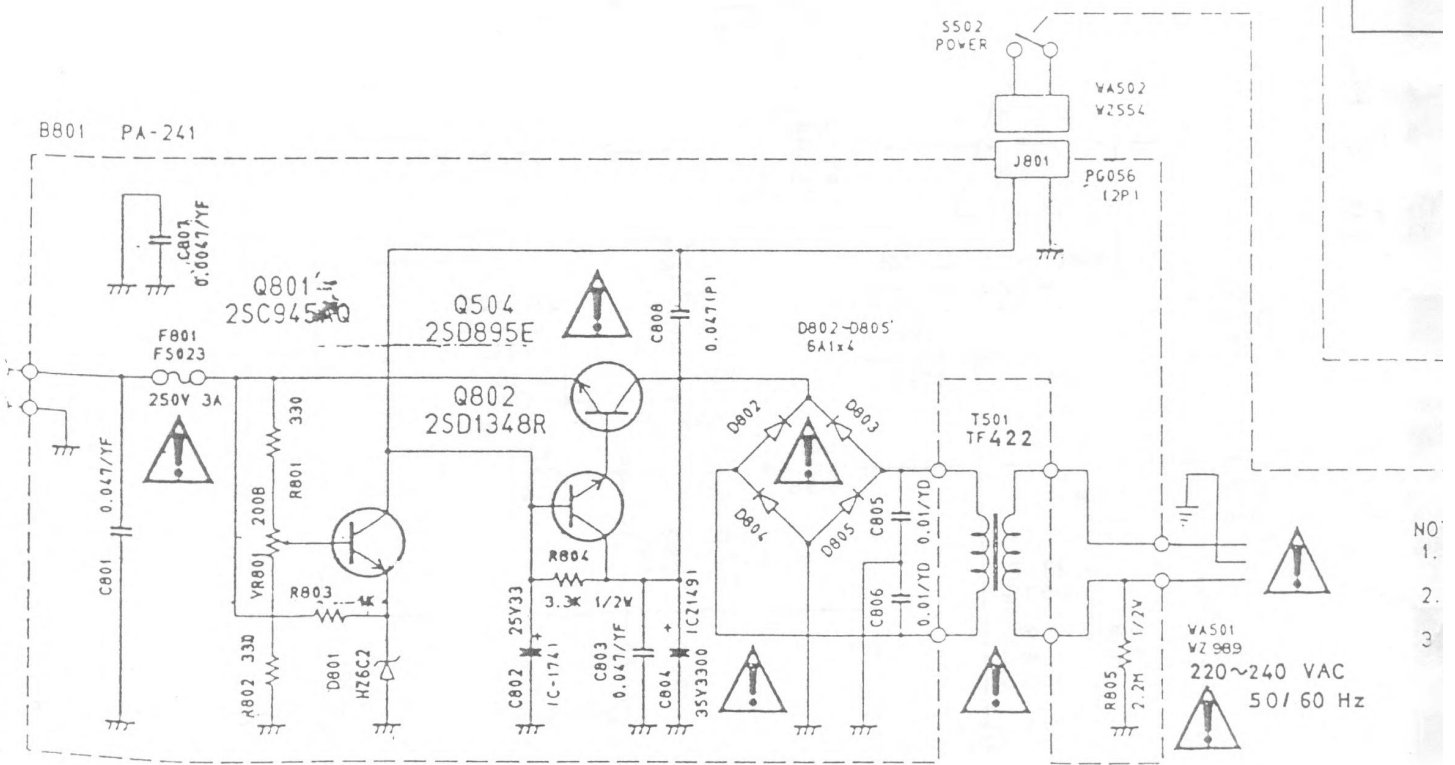
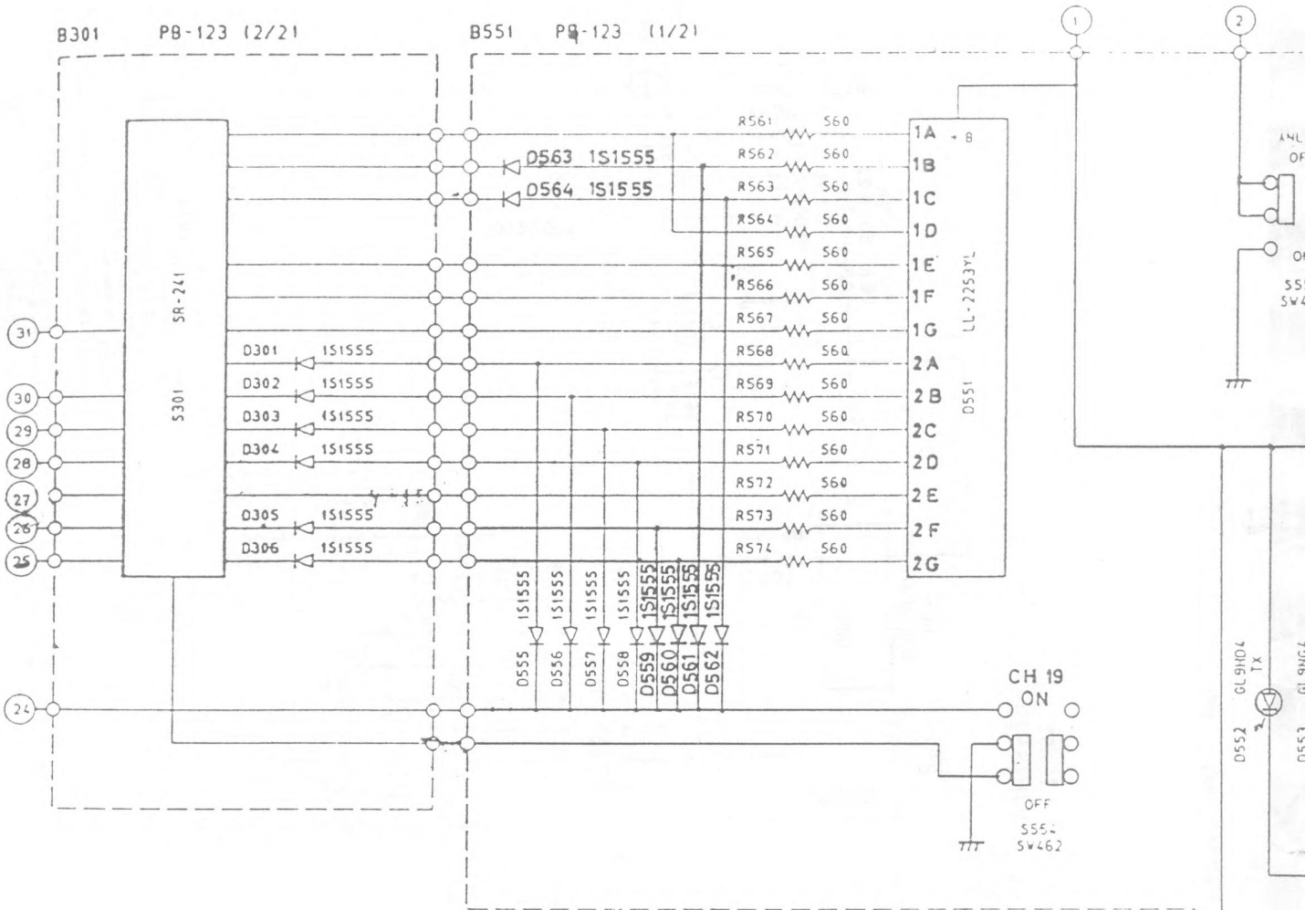
FM SCHEMATIC DIAGRAM (B601 PB-189AA)



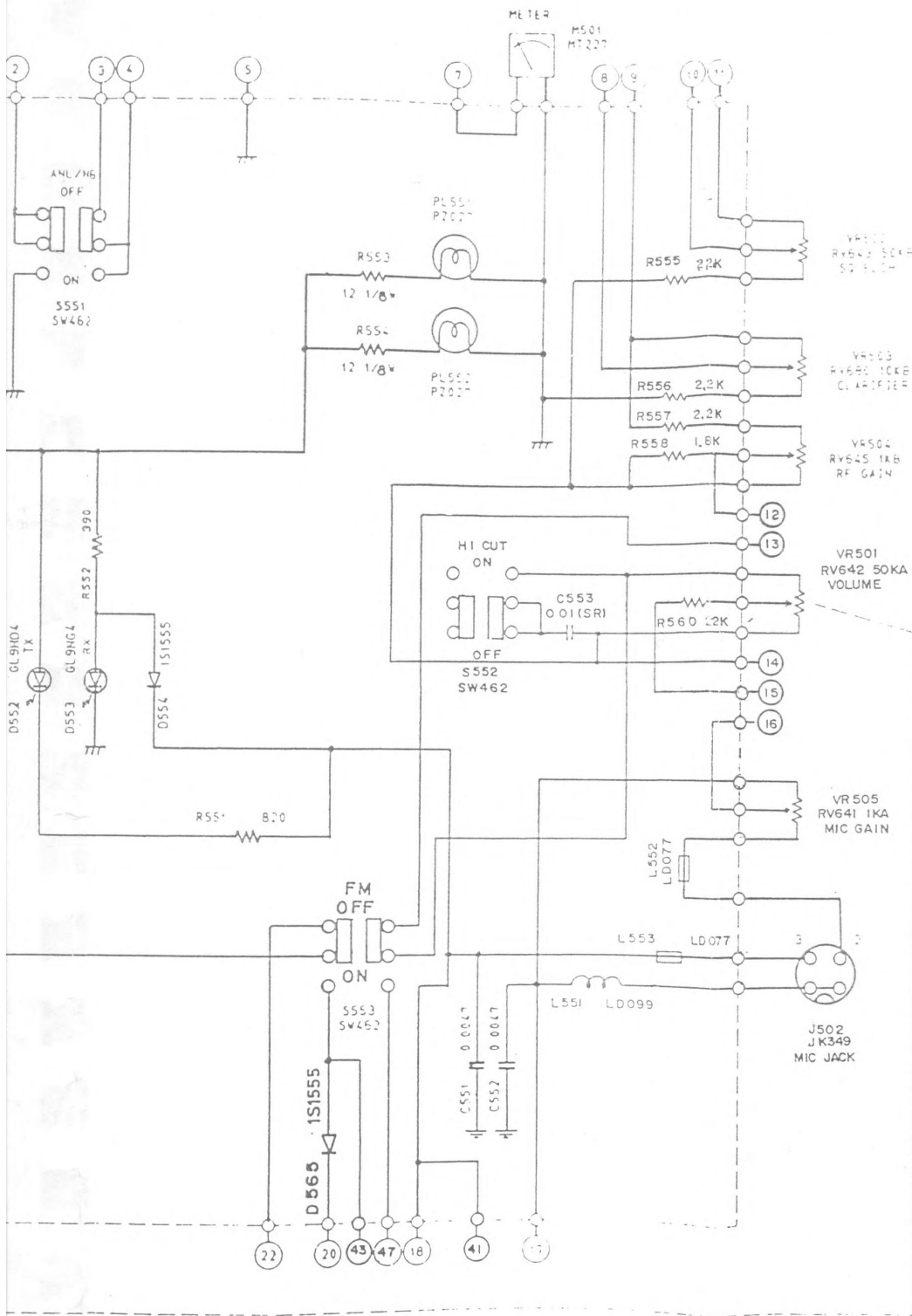
DESIGN BY	DRAMAN BY	UNIDEN NO	MODEL NO
May 14, 90	4/27/90	UT 552 B	BENJAMIN
CHECK BY		TITLE	(3/3)
		Schematic Diagram	
DRAWING NO		ES4-0043	

SYNTHETISEUR





UT552/2::50:2



NOTES:

1. RESISTANCE VALUES ARE SHOWN IN OHMS UNLESS OTHERWISE NOTED. (K-KILO OHM, M-MEG OHM)
2. RESISTOR WATTAGES ARE 1/8W UNLESS OTHERWISE NOTED.
3. CAPACITANCE VALUES ARE INDICATED IN MICRO FARAD UNLESS OTHERWISE NOTED (P-MICRO-MICRO FARAD)

DESIGN BY May 15 '90 M. J. Jones	DRAWN BY Nov 16 '90 A. Cheam	UNIDEN NO. UT 552 B	MODEL NO. BENJAMIN
CHECK BY K. J. Jones	APPROV BY K. J. Jones	TITLE SCHEMATIC DIAGRAM	
DRAWING NO. 5/15/90 ES3-0025		REV MARK	

UNIDEN CORP