

JFK II A+

10 meters

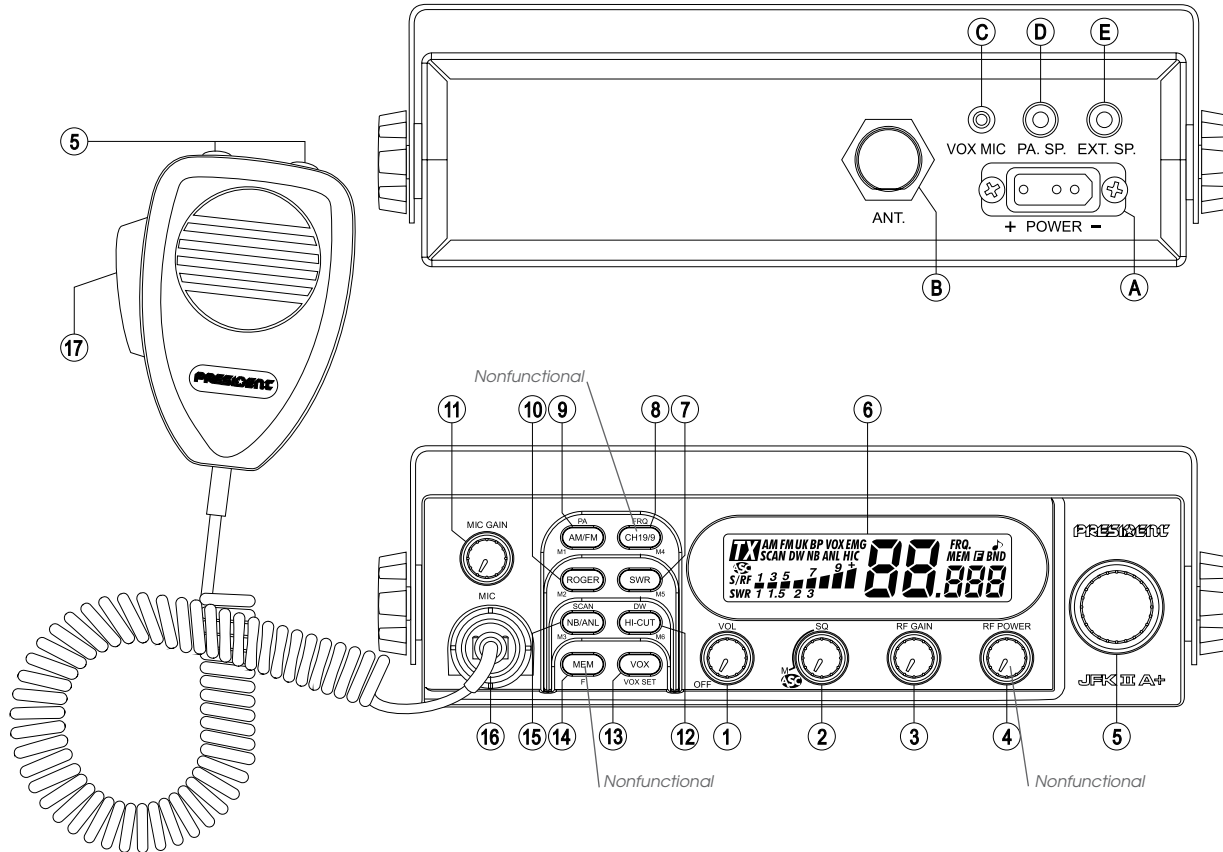


Owner's manual / Manuel d'utilisation
Manual del usuario / Manual do usuário

PRESIDENT

Your **PRESIDENT JFK II A+ ASC** at a glance

Votre **PRESIDENT JFK II A+ ASC** en un coup d'œil



Un vistazo a vuestro **PRESIDENT JFK II A+ ASC**

Uma lhadada no seu **PRESIDENT JFK II A+ ASC**

SUMMARY

INSTALLATION	5
HOW TO USE YOUR PRESIDENT RADIO	7
TECHNICAL CHARACTERISTICS	10
TROUBLE SHOOTING	11
HOW TO TRANSMIT OR RECEIVE A MESSAGE	11
GLOSSARY	11
GENERAL WARRANTY CONDITIONS	12

English

SOMMAIRE

INSTALLATION	14
UTILISATION	16
CARACTÉRISTIQUES TECHNIQUES	20
GUIDE DE DÉPANNAGE	20
COMMENT ÉMETTRE OU RECEVOIR UN MESSAGE	20
GLOSSAIRE	21
GARANTIE	22

Français

SUMARIO

INSTALACIÓN	24
UTILIZACIÓN	26
CARACTERÍSTICAS TÉCNICAS	30
GUÍA DE PROBLEMAS	30
COMO EMITIR O RECIBIR UN MENSAJE	30
LÉXICO	31
GARANTÍA	32

Español

SUMÁRIO

INSTALAÇÃO	34
COMO USAR O SEU TRANSCETOR	36
CARACTERÍSTICAS TÉCNICAS	39
RESOLUÇÃO DE PROBLEMAS	40
COMO TRANSMITIR OU RECEBER UMA MENSAGEM	40
GLOSSÁRIO	40
CONDIÇÕES GERAIS DE GARANTIA	41

Português

PROPOSITION 65 WARNING: This product contains a chemical known to the State of California to cause cancer and birth defects or other reproductive harm.

WARNING !

Before using, be careful never to transmit without first having connected the antenna (connection "B" situated on the back panel of the equipment) or without having set the SWR (Standing Wave Ratio) ! Failure to do so may result in destruction of the power amplifier, which is not covered by the guarantee.

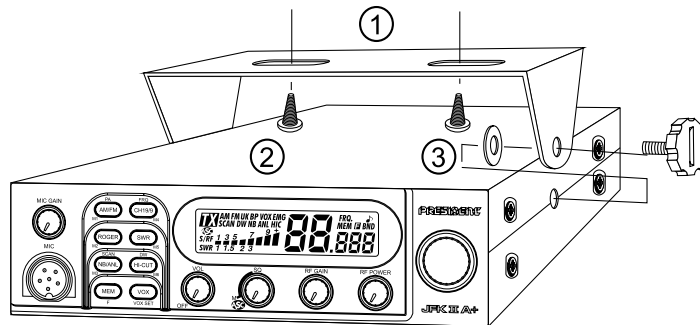
The guarantee is valid in the country of purchase.

Welcome to the world of the new generation of radios. The new PRESIDENT range gives you access to top performance radios equipment. With the use of up-to-date technology, which guarantees unprecedented quality, your PRESIDENT JFK II A+ ASC is a new step in personal communication and is the surest choice for the most demanding of professional radio users. To ensure that you make the most of all its capacities, we advise you to read carefully this manual before installing and using your PRESIDENT JFK II A+ ASC.

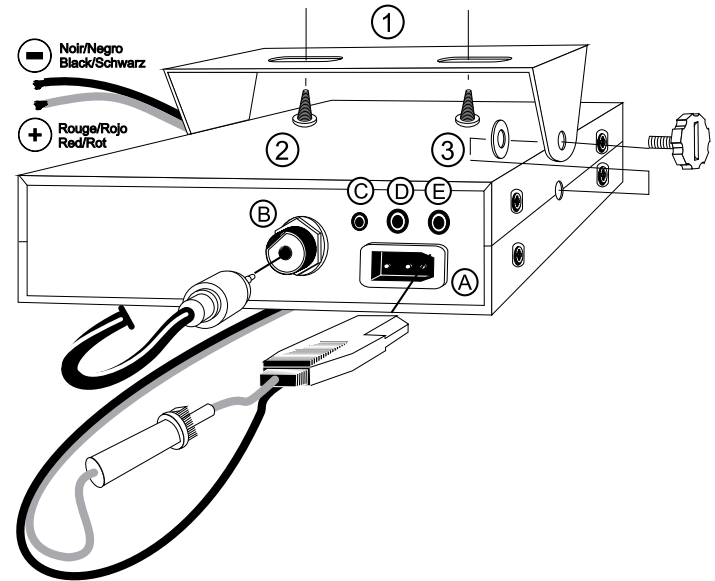
A) INSTALLATION

1) WHERE AND HOW TO MOUNT YOUR MOBILE RADIO

- a) You should choose the most appropriate setting from a simple and practical point of view.
- b) Your radio should not interfere with the driver or the passengers.
- c) Remember to provide for the passing and protection of different wires (e.g. power, antenna, accessory cabling) so that they do not in any way interfere with the driving of the vehicle.



MOUNTING DIAGRAM



- d) To install your equipment, use the cradle (1) and the self-tapping screws (2) provided (drilling diameter 3.2 mm). Take care not to damage the vehicle's electrical system while drilling the dash board.
 - e) Do not forget to insert the rubber joints (3) between the radio and its support as these have a shock-absorbing effect which permits gentle orientation and tightening of the set.
 - f) Choose where to place the microphone support and remember that the microphone cord must stretch to the driver without interfering with the controls of the vehicle.
- **N.B. :** As the transceiver has a frontal microphone socket, it can be set into the dash board. In this case, you will need to add an external loud speaker to improve the sound quality of communications (connector EXT.SP situated on the back panel: **E**). Ask your dealer for advice on mounting your radio.

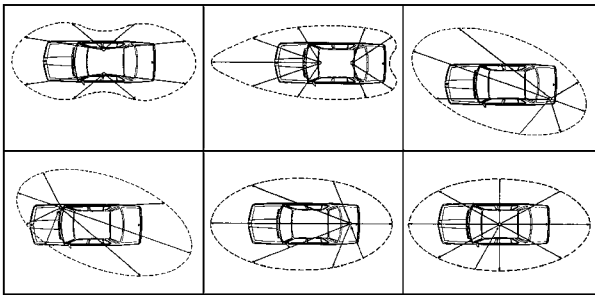
2) ANTENNA INSTALLATION

a) Choosing your antenna

- For radios, the longer the antenna, the better its results. Your dealer will be able to help you with your choice of antenna.

b) Mobile antenna

- Must be fixed to the vehicle where there is a maximum of metallic surface (ground plane), away from windscreen mountings.
- If you already have a radio-telephone antenna installed, the PRESIDENT antenna should be higher than this.
- There are two types of antenna: pre-regulated which should be used on a good ground plane (e.g. car roof or lid of the boot), and adjustable which offer a much larger range and can be used on a smaller ground plane (see § 5 page 7, **Adjustment of SWR**).
- For an antenna which must be fixed by drilling, you will need a good contact between the antenna and the ground plane. To obtain this, you should lightly scratch the surface where the screw and tightening star are to be placed.
- Be careful not to pinch or flatten the coaxial cable (as this runs the risk of break down and/or short-circuiting).
- Connect the antenna (B).



OUTPUT RADIUS PATTERNS

c) Fixed antenna:

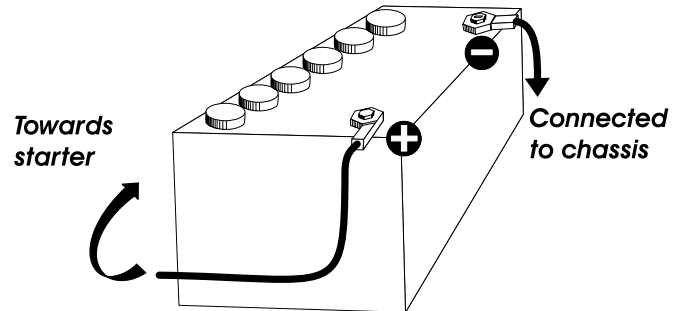
- A fixed antenna should be installed in a clear space as possible. If it is fixed to a mast, it will perhaps be necessary to stay it, according to the laws in force (you should seek professional advice). All PRESIDENT antennas and accessories are designed to give maximum efficiency to each radio within the range.

3) POWER CONNECTION

Your PRESIDENT JFK II A+ ASC is protected against an inversion of polarities. However, before switching it on, you are advised to check all the connections. Your equipment must be supplied with a continued current of 12 volts (A). Today, most cars and lorries are negative earth. You can check this by making sure that the negative terminal of the battery is connected either to the engine block or to the chassis. If this is not the case, you should consult your dealer.

WARNING: Trucks generally have two batteries and an electrical installation of 24 volts, in which case it will be necessary to insert a 24/12 volt converter (type CV 24/12 PRESIDENT) into the electrical circuit. The following connection steps should be carried out with the power cable disconnected from the set.

- Check that the battery is of 12 volts.
- Locate the positive and negative terminals of the battery (+ is red and - is black). Should it be necessary to lengthen the power cable, you should use the same or a superior type of cable.



- c) It is necessary to connect your radio to a permanent (+) and (-). We advise you to connect the power cable directly to the battery (as the connection of the radio cable to the wiring of the car-radio or other parts of the electrical circuit may, in some cases, increase the likelihood of interference).
- d) Connect the red wire (+) to the positive terminal of the battery and the black (-) wire to the negative terminal of the battery.
- e) Connect the power cable to your radio.

WARNING: Never replace the original fuse (5 A) by one of a different value.

4) BASIC OPERATIONS TO BE CARRIED OUT BEFORE USING YOUR SET FOR THE FIRST TIME (without transmitting and without using the «push-to-talk» switch on the microphone)

- a) Connect the microphone
- b) Check the antenna connections
- c) Turn the set on by turning the **VOL** knob (1) clockwise.
- d) Turn the squelch **SQ** knob (2) to minimum (**M** position).
- e) Adjust the volume to a comfortable level.
- f) Go to 28.555 MHz frequency by using the channel selectors (5).

5) ADJUSTMENT OF SWR (Standing wave ratio)

WARNING: This must be carried out when you use your radio for the first time (and whenever you re-position your antenna). The adjustment must be carried out in an obstacle-free area.

* Adjustment with external SWR-meter (e.g. TOS-1 PRESIDENT)

- a) To connect the SWR meter
 - Connect the SWR meter between the radio and the antenna as close as possible to the radio (use a maximum of 40 cm cable, type President CA 2C).
- b) To adjust the SWR meter
 - Set the radio to 28.555 MHz frequency.
 - Put the switch on the SWR-meter to position **FWD** (calibration).
 - Press the «push-to-talk» switch on the microphone to transmit.
 - Bring the index needle to ▼ by using the calibration key.
 - Change the switch to position **REF** (reading of the SWR level). The reading on the Meter should be as near as possible to 1. If this is not

the case, re-adjust your antenna to obtain a reading as close as possible to 1. (An SWR reading between 1 and 1.8 is acceptable).

- It will be necessary to re-calibrate the SWR meter after each adjustment of the antenna.

WARNING: In order to avoid any losses and attenuations in cables used for connection between the radio and its accessories, PRESIDENT recommends to use a cable with a length inferior to 3m.

Your radio is now ready for use.

B) HOW TO USE YOUR RADIO

1) ON/OFF – VOLUME

- a) To turn the set on, turn the **VOL** knob (1) clockwise.
- b) To increase the sound level, turn the same knob further clockwise.

2) ASC (Automatic Squelch Control) / SQUELCH

Suppresses undesirable background noises when there is no communication. Squelch does not affect neither sound nor transmission power, but allows a considerable improvement in listening comfort.

a) ASC: AUTOMATIC SQUELCH CONTROL

Worldwide patent, a PRESIDENT exclusivity

Turn the **SQ** knob (2) anti-clockwise into **ASC** position. «**ASC**» appears on the display. No repetitive manual adjustment and a permanent improvement between the sensitivity and the listening comfort when **ASC** is active. This function can be disconnected by turning the switch clockwise. In this case the squelch adjustment becomes manual again. «**ASC**» disappears from the display.

b) MANUAL SQUELCH

Turn the **SQ** knob (2) clockwise to the exact point where all background noise disappears. This adjustment should be done with precision as, if set to maximum (fully clockwise), only the strongest signals will be received.

3) RF GAIN

Adjustment of the sensitivity during reception. For long distance communications **RF GAIN** should be set to maximum. You can reduce

the **RF GAIN** in order to avoid distortion when your correspondent is close by and when he has no **RF POWER**.

The normal setting of this function is on maximum (fully clockwise).

4) RF POWER

Nonfunctional on the JFK II A+ model.

5) CHANNEL SELECTOR: rotary knob and UP/DN keys on the microphone

These switches allow increasing or decreasing a channel. A «beep» sounds each time the channel changes if the Beep function is activated. See **BEEP** function page 10.

6) DISPLAY

It shows all functions:



The BARGRAPH shows the reception level, the output power level or SWR level.

7) SWR ~ M5

SWR

Allows changing the function of the meter. By pressing the **SWR** key (7) you alternate between **SWR** and **S/RF**.

SWR: shows the SWR value on the display (scale from 1 to 3)

S/RF: shows the output and reception power on the S/RF-meter.

M5

Nonfunctional on the JFK II A+ model.

8) CH 19/9 ~ FRQ ~ M4

Nonfunctional on the JFK II A+ model.

9) MODE SELECTOR AM/FM ~ PA ~ M1

AM/FM (short press)

Press **AM/FM** key (9) allows select AM or FM modulation. Your modulation mode has to correspond to the one of your correspondent. **Amplitude modulation/AM**: is for communications in areas where there are obstacles and over medium distances.

Frequency modulation/FM: for nearby communications in flat, open field.

PA (Public Address) (long press)

An external sound loudspeaker can be connected on the PRESIDENT JFK II A+ ASC by a jack located on the rear panel PA.SP (D). A long press allows alternate between **Public Address** and **radio** mode. In **PA** mode, «PA» appears on the display; the message sent in the microphone will be transferred to the external loudspeaker and amplified. Keep the microphone at a sufficient distance from this loudspeaker in order to avoid the Larsen effect.

The **PA** volume is adjustable by the **MIC GAIN** button. Visual display of the level on the bargraph.

M1

Nonfunctional on the JFK II A+ model.

10) ROGER ~ M2

ROGER (short press)

The icon «♪» appears on the display when the function is active. The **ROGER BEEP** sounds when the **PIT** (17) switch of the microphone is released in order to let your correspondent speak. Historically as radio is a «simplex» communication mode, it is not possible to speak and to listen at the same time (as it is the case with a telephone). Once someone had finished talking, he said "Roger" in order to prevent his correspondent that it was his turn to talk. The word "Roger" has been replaced by a significant beep. There comes "**Roger beep**" from.

Note: the **ROGER BEEP** also sounds in the loudspeaker if the **BEEP** function is active. If the **BEEP** function is not active, only the correspondent can hear the **ROGER BEEP**.

M2

Nonfunctional on the JFK II A+ model.

11) MIC GAIN

Adjustment of the sensitivity level of the microphone.

The normal position of this function is set to maximum clockwise.

12) HI-CUT ~ DW ~ M6

HI-CUT (short press)

Eliminates high frequency interferences. Has to be used in accordance with the reception conditions. A short press activates the **HI-Cut** filter and «**HIC**» appears on the display. A new press disables the function and «**HIC**» disappears.

DW (long press)

A longer press (1 second) allows activating the **DW** (Dual Watch). This function lets you watch over channel 19 or 9 and the channel you are using. The first long press activates the **DW** function between channel 19 and the busy channel. A new press activates the function between channel 9 and the busy channel. «**DW**» is displayed. The number of the selected channel and channel 19 or 9 are alternately displayed. «**EMG**» is also displayed at the same time as channel 19 or 9. The selected channel can be modified during the dual watch. A new long press on **DW** (12) disables the **DW** function.

M6

Nonfunctional on the JFK II A+ model.

13) VOX ~ VOX SET

VOX (short press)

Can be used in mode **radio** or **PA**. The **VOX** function allows transmitting by speaking into the original microphone (or in the optional vox microphone) without pressing the **PTT** (17) switch. The use of an optional vox mike connected to the rear panel of the transceiver (**C**) disables the original microphone.

Press shortly the **VOX** key (13) in order to activate the **VOX** function. «**VOX**» appears on the display. A new press on the **VOX** key (13) disables the function «**VOX**» disappears.

VOX SET (long press)

Press during 1 second the **VOX** key (13) in order to activate the function.

Vox adjustment. Three adjustments are possible: Sensitivity S_L / Anti-vox level R_L / Vox delay time d_L . Press shortly the **VOX** key (13) in order to go to the following adjustment (looping S_L , R_L , d_L). The display shows the type of adjustment followed by its level.

- **Sensitivity S_L** : allows the adjustment of the microphone (original one or optional vox) for an optimum transmission quality. Adjustable level from 1 (high level) to 9 (low level) by rotating the channel knob or with the **UP/DN** keys of the original microphone. S_L corresponds to the **Sensitivity Level**.
- **Anti-Vox R_L** : allows disabling the transmission generated by the surrounding noise. The level is adjustable from 0 (Off) to 9 (low level) by rotating the channel knob or with the **UP/DN** keys of the original microphone. R_L corresponds to **Anti-vox Level**.
- **Delay time d_L** : allows avoiding the sudden cut of the transmission by adding a delay at the end of speaking. The level is adjustable from 1 (short delay) to 9 (long delay) by rotating the channel selector or with the **UP/DN** keys of the original microphone. d_L corresponds to **Delay Time**.

Once the adjustments are done, press during 1 second the **VOX** key (13) in order to quit the **Vox Adjustment** mode.

14) MEM ~ F

Nonfunctional on the JFK II A+ model.

15) NB/ANL ~ SCAN ~ M3

NB/ANL (short press)

Noise Blanker/ Automatic Noise Limiter. These filters allow reducing back ground noises and some reception interferences. A press activates the filters in following order: **NB** off, **ANL** off → **NB** on, **ANL** on → **NB** on, **ANL** off → **NB** on, **ANL** on.

«**NB**» and/or «**ANL**» are displayed in accordance with the selected configuration.

In **FM** mode only the **NB** filter can be activated.

SCAN (long press)

Long press the **SCAN** key (15) to activate the **SCAN** function (research of the channels) in an increasing way. «**SCAN**» is displayed. The scanning stops as soon as there is a busy channel. The scanning automatically starts 3 seconds after the end of the transmission and no key is activated during 3 s. The scanning starts again in an increasing way by turning the rotary knob to the right or pressing the **UP** key (5) of the microphone, or in a decreasing way by turning the rotary knob to the left or pressing the **DN** key (5) of the microphone.

A new long press on **SCAN** key (15) disables the **SCAN** function.

M3

Nonfunctional on the JFK II A+ model.

16) 6 PIN MICROPHONE PLUG

The plug is located on the front panel of the transceiver and makes the setting of the equipment into the dashboard easier.

See cabling diagram page 42.

17) PTT (Push To Talk)

Transmission key, press to transmit a message, **TX** is displayed and release to listen to an incoming communication.

BEEP (changing the channel, keys etc.)

In order to activate the **BEEP** function, turn on the transceiver by pressing the **UP** (5) key of the microphone. «**BP**» is displayed. In order to disable the function, turn the transceiver on by pressing the **DN** (5) key of the microphone. «**BP**» disappears.

A) POWER SUPPLY (13.8 V)**B) ANTENNA CONNECTOR (SO-239)****C) JACK FOR OPTIONAL VOX MIKE (2.2 K Ω Electret, \varnothing 2.5 mm)****D) JACK FOR LOUDSPEAKER PUBLIC ADDRESS (8 Ω , \varnothing 3.5 mm)****E) JACK FOR EXTERNAL LOUDSPEAKER (8 Ω , \varnothing 3.5 mm)****C) TECHNICAL CHARACTERISTICS****1) GENERAL**

- Modulation modes : AM/FM
- Frequency ranges : from 28.315 MHz to 28.755 MHz
- Antenna impedance : 50 ohms
- Power supply : 13.8 V
- Dimensions (in mm) : 180 (W) x 188 (D) x 51 (H)
- Weight : 1.5 kg
- Accessories supplied : microphone UP/DOWN with support, mounting cradle, screws and fused power cord.

2) TRANSMISSION

- Frequency allowance : +/- 300 Hz
- Carrier power : 15 W AM (50 W PEP) / 15 W FM
- Transmission interference : inferior to 4 nW (- 54 dBm)
- Audio response : 300 Hz to 3 KHz in AM/FM
- Emitted power in adj. channel : inferior to 20 μ W
- Microphone sensitivity : 3.0 mV
- Drain : 5 A (with modulation)
- Modulated signal distortion : 2 %

3) RECEPTION

- Maxi. sensitivity at 20 dB sinad : 0.7 μ V - 110 dBm (AM)
0.35 μ V -116 dBm (FM)
- Frequency response : 300 Hz to 3 kHz in AM/FM
- Adjacent channel selectivity : 60 dB
- Maximum audio power : 3 W
- Squelch sensitivity : minimum 0.2 μ V - 120 dBm
maximum 1 mV - 47 dBm
- Frequency image rejection rate : 60 dB
- Intermediate frequency rej. rate : 70 dB
- Drain : 0.4 A nominal / 1.5 A maximum

D) TROUBLE SHOOTING

1) YOUR RADIO WILL NOT TRANSMIT OR YOUR TRANSMISSION IS OF POOR QUALITY

- Check that the antenna is correctly connected and that the SWR is properly adjusted.
- Check that the microphone is properly plugged in.

2) YOUR RADIO WILL NOT RECEIVE OR RECEPTION IS POOR

- Check that the squelch level is properly adjusted.
- Check that the volume is set to a comfortable listening level.
- Check that the antenna is correctly connected and that the SWR is properly adjusted.
- Check that you are using the same modulation mode as your correspondent.

3) YOUR RADIO WILL NOT LIGHT UP

- Check the power supply.
- Check the connection wiring.
- Check the fuse.

E) HOW TO TRANSMIT OR RECEIVE A MESSAGE

Now that you have read the manual, make sure that your radio is ready for use (i.e. check that your antenna is connected).

Choose your channel.

Choose your mode (AM/FM) which must be the same as that of your correspondent.

Press the «push-to-talk» switch and announce your message «Attention stations, transmission testing» which will allow you to check the clearness and the power of your signal. Release the switch and wait for a reply. You should receive a reply like, «Strong and clear». If you use a calling channel and you have established communication with someone, it is common practice to choose another available channel so as not to block the calling channel.

F) GLOSSARY

INTERNATIONAL PHONETIC ALPHABET

A Alpha	H Hotel	O Oscar	V Victor
B Bravo	I India	P Papa	W Whiskey
C Charlie	J Juliett	Q Quebec	X X-ray
D Delta	K Kilo	R Romeo	Y Yankee
E Echo	L Lima	S Sierra	Z Zulu
F Foxtrott	M Mike	T Tango	
G Golf	N November	U Uniform	

GENERAL WARRANTY CONDITIONS

This device is guaranteed **2 years** parts and labour in its country of purchase against any manufacturing defects validated by our technical department. PRESIDENT After Sales Service department reserves the right not to apply the warranty in the event a breakdown is caused by an antenna other than those distributed by PRESIDENT. An extension of **3 years** warranty is proposed systematically for the simultaneous purchase of a device and a PRESIDENT antenna, bringing the total duration of the warranty to **5 years**. In order to be valid, the warranty registration must be completed and submitted within a period of 30 days after the purchase date to PRESIDENT ELECTRONICS online at www.president-electronics.us/warranty-registration. You can also access this warranty registration page by using your smartphone to read (application must be available) the QR code. You will receive a confirmation email if the registration is successfully completed. Please keep a copy of this email for your records.

Any repair under warranty will be without charge and the return delivery costs will be borne by PRESIDENT. A proof of purchase sales receipt must be included with the device to be repaired. The dates listed on the warranty registration and proof of purchase must match. In case the device is not under warranty, the repair and return of the device will be charged.

No spare parts will be sent nor exchanged by PRESIDENT under warranty. Do not proceed with the installation of the device without reading the user manual.

The warranty is only valid in the country of purchase.

Exclusions (not covered by Warranty):

- Damages caused by accident, shock or inadequate packaging.
- Power transistors, microphones, lights, fuses and the disrespect of the installation and use of specifications (including but not limited to antenna used with too high power, final output power transistors (SWR), inversion of polarities, bad connections, over voltage...).
- The warranty cannot be extended due to the non-availability of the device while it is being serviced at PRESIDENT After Sales Service department, nor by a change of one or more components or spare parts.

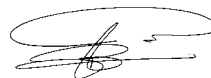
- Transceivers which have been modified. The warranty application is excluded in case of modification or poor maintenance done by a third party not approved by PRESIDENT ELECTRONICS.

If you note a malfunction:

- Check the power supply of your device and the quality of the fuse.
- Check that the antenna, the microphone are correctly connected.
- Check that the squelch level is properly adjusted; the programmed configuration is the correct one.
- In the event of a real malfunction, please contact your dealer first. He will decide what action should be taken.

In case of an intervention not covered by warranty, an estimate will be established before any repair.

Thank you for your confidence in the PRESIDENT quality and experience. We recommend that you read this manual carefully so that you are completely satisfied with your purchase.



Technical Manager
and
Quality Manager



Warranty Registration



AVERTISSEMENT PROPOSITION 65 : Ce produit contient un produit chimique connu dans l'État de Californie pour provoquer des cancers et des malformations congénitales ou d'autres problèmes de reproduction.

ATTENTION !

*Avant toute utilisation, prenez garde de ne jamais émettre sans avoir branché l'antenne (connecteur **B** situé sur la face arrière de l'appareil), ni réglé le TOS (Taux d'Ondes Stationnaires)! Sinon, vous risquez de détruire l'amplificateur de puissance, ce qui n'est pas couvert par la garantie.*

La garantie de ce poste est valable uniquement dans le pays d'achat.

Bienvenue dans le monde des émetteurs-récepteurs **PRESIDENT** de la dernière génération. Cette nouvelle gamme de postes vous fait accéder à la communication électronique la plus performante. Grâce à l'utilisation de technologies de pointe garantissant des qualités sans précédent, votre **PRESIDENT JFK II A+ ASC** est un nouveau jalon dans la convivialité et la solution par excellence pour le pro de la radio le plus exigeant. Pour tirer le meilleur parti de toutes ses possibilités, nous vous conseillons de lire attentivement ce mode d'emploi avant d'installer et d'utiliser votre radio **PRESIDENT JFK II A+ ASC**.

A) INSTALLATION

1) CHOIX DE L'EMPLACEMENT ET MONTAGE DU POSTE MOBILE

- Choisir l'emplacement le plus approprié pour une utilisation simple et pratique de votre poste mobile.
- Veiller à ce qu'il ne gêne pas le conducteur ni les passagers du véhicule.
- Prévoir le passage et la protection des différents câbles (alimentation, antenne, accessoires...) afin qu'ils ne viennent en aucun cas perturber la conduite du véhicule.

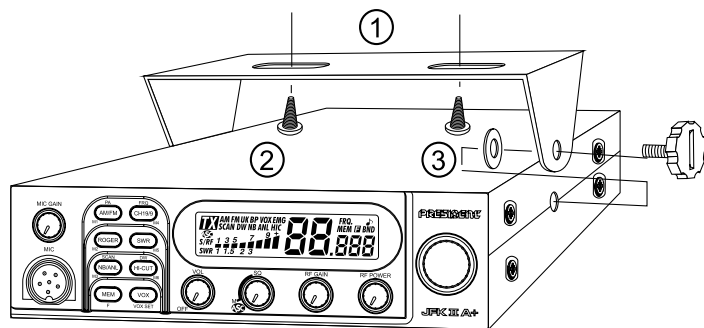
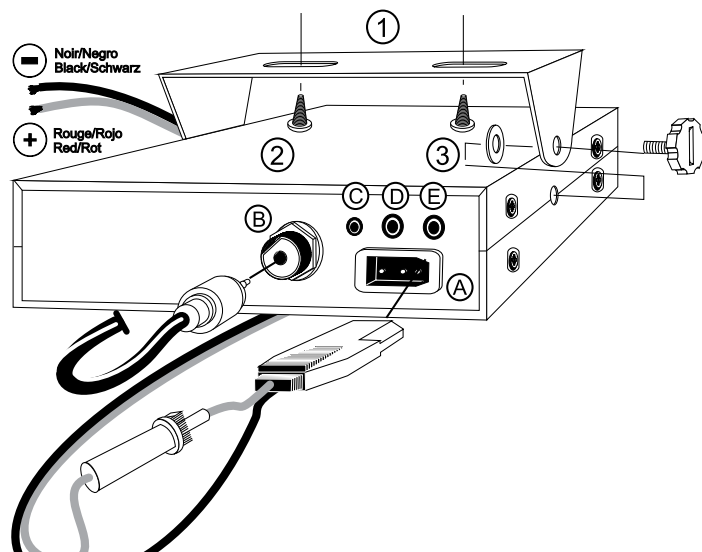


SCHÉMA GÉNÉRAL DE MONTAGE



- Utiliser pour le montage le berceau (1) livré avec l'appareil, le fixer solidement à l'aide des vis auto taraudeuses (2) fournies (diamètre de perçage 3.2 mm). Prendre garde à ne pas endommager le système électrique du véhicule lors du perçage du tableau de bord.
 - Lors du montage, ne pas oublier d'insérer les rondelles de caoutchouc (3) entre le poste et son support. Celles-ci jouent en effet un rôle «d'amortisseur» et permettent une orientation et un serrage en douceur du poste.
 - Choisir un emplacement pour le support du micro et prévoir le passage de son cordon.
- **NOTA** : Votre poste mobile possédant une prise micro en façade peut être encastré dans le tableau de bord. Dans ce cas, il est recommandé d'y adjoindre un haut-parleur externe pour une meilleure écoute des communications (connecteur EXP SP situé sur la face arrière de l'appareil : E). Renseignez-vous auprès de votre revendeur le plus proche pour le montage sur votre appareil.

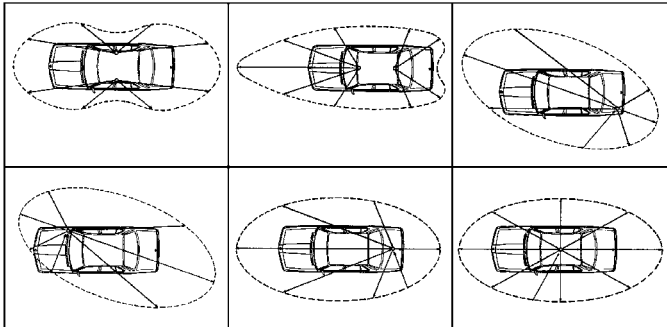
2) INSTALLATION DE L'ANTENNE

a) Choix de l'antenne

- Plus une antenne est grande, meilleur est son rendement. Votre Point Conseil saura orienter votre choix.

b) Antenne mobile

- Il faut l'installer à un endroit du véhicule où il y a un maximum de surface métallique (plan de masse), en s'éloignant des montants du pare-brise et de la lunette arrière.
- Dans le cas où une antenne radiotéléphone est déjà installée, l'antenne doit être au-dessus de celle-ci.
- Il existe 2 types d'antennes : les pré réglées et les réglables. Les pré réglées s'utilisent de préférence avec un bon plan de masse (pavillon de toit ou malle arrière) et les réglables offrant une plage d'utilisation beaucoup plus large permettent de tirer parti de plans de masse moins importants (voir § **RÉGLAGE DU TOS** page 16).
- Pour une antenne à fixation par perçage, il est nécessaire d'avoir un excellent contact antenne/plan de masse; pour cela, gratter légèrement la tôle au niveau de la vis et de l'étoile de serrage.
- Lors du passage du câble coaxial, veiller à ne pas le pincer ou l'écraser (risque de rupture et/ou de court-circuit).
- Brancher l'antenne (**B**).



LOBE DE RAYONNEMENT

c) Antenne fixe

- Veiller à ce qu'elle soit dégagée au maximum. En cas de fixation sur un mât, il faudra éventuellement haubaner conformément aux normes en vigueur (se renseigner auprès d'un professionnel). Les antennes et accessoires PRESIDENT sont spécialement conçus pour un rendement optimal de chaque appareil.

3) CONNEXION DE L'ALIMENTATION

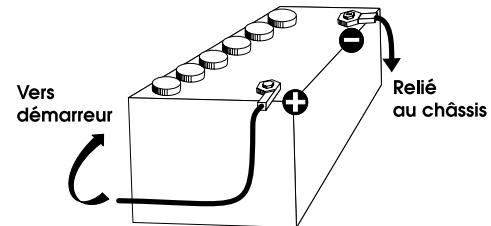
Votre PRESIDENT JFK II A+ ASC est muni d'une protection contre les inversions de polarité. Néanmoins, avant tout branchement, vérifier vos connexions.

Votre poste doit être alimenté par une source de courant continu de 12 Volts (**A**). À l'heure actuelle, la plupart des voitures et des camions fonctionnent avec une mise à la masse négative. On peut s'en assurer en vérifiant que la borne (-) de la batterie soit bien connectée au bloc moteur ou au châssis. Dans le cas contraire, consulter votre revendeur.

ATTENTION : Les camions possèdent généralement deux batteries et une installation électrique en 24 Volts. Il sera donc nécessaire d'intercaler dans le circuit électrique un convertisseur 24/12 Volts (Type PRESIDENT CV 24/12).

Toutes les opérations de branchement suivantes doivent être effectuées cordon d'alimentation non raccordé au poste.

- S'assurer que l'alimentation soit bien de 12 Volts.
- Repérer les bornes (+) et (-) de la batterie (+ = rouge et - = noir). Dans le cas où il serait nécessaire de rallonger le cordon d'alimentation, utiliser un câble de section équivalente ou supérieure.



- c) Il est nécessaire de se connecter sur un (+) et un (-) permanents. Nous vous conseillons donc de brancher directement le cordon d'alimentation sur la batterie (le branchement sur le cordon de l'autoradio ou sur d'autres parties du circuit électrique pouvant dans certains cas favoriser la réception de signaux parasites).
- d) Brancher le fil rouge (+) à la borne positive de la batterie et le fil noir (-) à la borne négative de la batterie.
- e) Brancher le cordon d'alimentation au poste.

ATTENTION : Ne jamais remplacer le fusible d'origine (5 A) par un modèle d'une valeur différente !

4) OPÉRATIONS DE BASE A EFFECTUER AVANT LA PREMIERE UTILISATION, SANS PASSER EN ÉMISSION (sans appuyer sur la pédale du micro)

- a) Brancher le micro.
- b) Vérifier le branchement de l'antenne.
- c) Mise en marche de l'appareil : tourner le bouton **VOL (1)** dans le sens des aiguilles d'une montre.
- d) Tourner le bouton **SQ (2)** au minimum.
- e) Régler le bouton **VOL (1)** à un niveau convenable.
- f) Amener le poste sur la fréquence 28,555 MHz à l'aide des sélecteurs de canaux (**5**).

5) RÉGLAGE DU TOS (TOS : Taux d'ondes stationnaires)

ATTENTION : Opération à effectuer impérativement lors de la première utilisation de l'appareil ou lors d'un changement d'antenne. Ce réglage doit être fait dans un endroit dégagé, à l'air libre.

* Réglage avec TOS-mètre externe (type TOS-1 PRESIDENT) :

- a) Branchement du Tos-mètre :
 - Brancher le Tos-mètre entre le poste et l'antenne, le plus près possible du poste (utilisez pour cela un câble de 40 cm maximum type CA-2C PRESIDENT).
- b) Réglage du Tos :
 - Amener le poste sur la fréquence 28.555 MHz,
 - Positionner le commutateur du Tos-mètre en position **FWD** (calibrage),
 - Appuyer sur la pédale du micro pour passer en émission,
 - Amener l'aiguille sur l'index ▼ à l'aide du bouton de calibrage,

- Basculer le commutateur en position **REF** (lecture de la valeur du TOS). La valeur lue sur le vu-mètre doit être très proche de 1. Dans le cas contraire, rajuster votre antenne jusqu'à obtention d'une valeur aussi proche que possible de 1 (une valeur de TOS comprise entre 1 et 1,8 est acceptable),
- Il est nécessaire de recalibrer le Tos-mètre, entre chaque opération de réglage de l'antenne.

Remarque : Afin d'éviter les pertes et atténuations dans les câbles de connexion entre la radio et ses accessoires, PRESIDENT recommande une longueur de câble inférieure à 3 m.

Maintenant, votre poste est prêt à fonctionner.

B) UTILISATION

1) MARCHE/ARRÊT - VOLUME

- a) Pour allumer votre poste, tourner le bouton du volume **VOL (1)** dans le sens des aiguilles d'une montre.
- b) Pour augmenter le volume sonore, continuer à tourner ce bouton dans le sens des aiguilles d'une montre.

2) ASC (Automatic Squelch Control) / SQUELCH

Cette fonction permet de supprimer les bruits de fond indésirables en l'absence de communication. Le squelch ne joue ni sur le volume sonore ni sur la puissance d'émission, mais il permet d'améliorer considérablement le confort d'écoute.

a) ASC : SQUELCH À RÉGLAGE AUTOMATIQUE

Brevet mondial, exclusivité PRESIDENT

Tourner le bouton du squelch **SQ (2)** dans le sens contraire des aiguilles d'une montre en position **ASC**. «**ASC**» apparaît sur l'afficheur. Aucun réglage manuel répétitif et optimisation permanente entre la sensibilité et le confort d'écoute lorsque l'**ASC** est actif. Cette fonction peut être désactivée par rotation du bouton dans le sens des aiguilles d'une montre. Dans ce cas le réglage du squelch redevient manuel. «**ASC**» disparaît de l'afficheur.

b) SQUELCH MANUEL

Tournez le bouton du squelch **SQ (2)** dans le sens des aiguilles d'une montre jusqu'au point exact où tout bruit de fond disparaît. C'est un réglage à effectuer avec précision, car mis en position maximum dans le sens des aiguilles d'une montre, seuls les signaux les plus forts peuvent être perçus.

3) RF GAIN

Réglage de la sensibilité en réception. Position maximum dans le cas de réception de communication longue distance. Vous pouvez diminuer le **RF GAIN**, pour éviter des distorsions, lorsque l'interlocuteur est proche.

Réduisez le Gain en réception dans le cas d'une communication rapprochée avec un correspondant non équipé d'un **RF POWER**.

La position normale de ce bouton se situe au maximum dans le sens des aiguilles d'une montre.

4) RF POWER

Fonction non opérationnelle dans le modèle JFK II A+.

5) SÉLECTEUR DE CANAUX : Rotateur et Touches UP/DN du micro

Ces touches permettent de monter ou de descendre d'un canal. Un "Beep" sonore est émis à chaque changement de canal si la fonction **BEEP** est activée. Voir fonction **BEEP** page 19.

6) AFFICHEUR

Il permet de visualiser l'ensemble des fonctions :



Le BARGRAPH visualise le niveau de réception, le niveau de puissance émise et le niveau du TOS.

7) SWR ~ M5

SWR

Permet de changer la fonction du bargraph. Une pression alterne entre **SWR** et **S/RF**.

SWR : Lecture de la valeur de TOS sur l'afficheur (échelle de 1 à 3).

S/RF : Lecture de la puissance d'émission et de réception.

M5

Fonction non opérationnelle dans le modèle JFK II A+.

8) CH19/9 ~ FRQ ~ M4

Fonctions non opérationnelles dans le modèle JFK II A+.

9) SÉLECTEUR DE MODE AM/FM ~ PA ~ M1

AM/FM (pression brève)

La touche **AM/FM (9)** permet de sélectionner le mode de modulation AM ou FM. Votre mode de modulation doit correspondre à celui de votre interlocuteur.

Modulation d'Amplitude/ AM : Communications sur terrain avec reliefs et obstacle sur moyenne distance.

Modulation de Fréquence/ FM : Communication rapprochée sur terrain plat et dégagé.

PA (Public Address) (pression longue)

Un haut-parleur de sonorisation extérieure peut être connecté sur le PRESIDENT JFK II A+ ASC par une prise jack située sur le panneau arrière PA.SP (D). Une pression longue permet de commuter entre les modes **PA** et **radio**. En mode **PA**, «PA» apparaît sur l'afficheur, le message émis dans le microphone sera dirigé vers le haut-parleur extérieur et amplifié. Tenez le microphone à une distance suffisante de ce haut-parleur afin d'éviter l'effet Larsen.

Le volume du **PA** est réglable par le bouton **MIC GAIN**. Visualisation du niveau sur le bargraph.

M1

Fonction non opérationnelle dans le modèle JFK II A+.

10) ROGER ~ M2

ROGER (pression brève)

L'icône «**♪**» apparaît dans l'afficheur lorsque la fonction est activée. Le **ROGER BEEP** émet un beep lorsqu'on relâche la pédale du micro pour laisser la parole à son correspondant. Historiquement, la radio étant un mode de communication "simplex", c'est-à-dire qu'il n'est pas possible de parler et d'écouter en même temps (comme c'est le cas pour le téléphone par exemple), il était d'usage de dire "Roger" une fois que l'on avait fini de parler afin de prévenir son correspondant qu'il pouvait parler à son tour. Le mot "Roger" a été remplacé par un beep significatif, d'où son nom "Roger Beep".

Remarque : Le **ROGER BEEP** est également entendu dans le haut-parleur si la fonction **BEEP** est activée. Si la fonction **BEEP** n'est pas activée, seul le correspondant peut entendre le **ROGER BEEP**.

M2

Fonction non opérationnelle dans le modèle JFK II A+.

11) MIC GAIN

Réglage du niveau de sensibilité du micro.

La position normale de cette fonction se situe au maximum dans le sens des aiguilles d'une montre.

12) HI-CUT ~ DW ~ M6

HI-CUT (pression brève)

Élimination des parasites haute fréquence. À utiliser en fonction des conditions de réception. Une pression brève active le filtre **HI-CUT** et «**HIC**» apparaît dans l'afficheur. Une nouvelle pression désactive la fonction et «**HIC**» disparaît.

DW (pression longue)

Une pression plus longue (1s) permet d'activer la fonction **DW** (Double Veille). Cette fonction permet d'effectuer une veille entre le canal 19 ou 9 et le canal en cours. La première pression longue active la fonction **DW** entre le canal 19 et le canal en cours. Une nouvelle pression active la fonction entre le canal 9 et le canal en

cours. «**DW**» s'affiche. Le numéro du canal choisi et le canal 19 ou 9 s'affichent alternativement. L'icône «**EMG**» s'affiche également en même temps que le canal 19 ou 9. Le canal choisi peut être modifié pendant la double veille. Une nouvelle pression longue sur **DW (12)** désactive la fonction **DW**.

M6

Fonction non opérationnelle dans le modèle JFK II A+.

13) VOX ~ VOX SET

VOX (pression brève)

Utilisable en mode **radio** ou **PA**, la fonction **VOX** permet d'émettre en parlant dans le micro d'origine (ou dans le micro vox optionnel) sans appuyer sur la pédale **PTT (17)**. L'utilisation d'un micro vox optionnel connecté à l'arrière de l'appareil (**C**) désactive le micro d'origine.

Appuyez brièvement sur la touche **VOX (13)** pour activer la fonction **VOX**. L'icône «**VOX**» apparaît dans l'afficheur. Une nouvelle pression sur la touche **VOX (13)** désactive la fonction. L'icône «**VOX**» disparaît.

VOX SET (pression longue)

Appuyer pendant une seconde sur la touche **VOX (13)** pour activer la fonction **Ajustement du Vox**. Trois réglages sont possibles : Sensibilité **5L** / Niveau Anti-Vox **RL** / Temporisation **dt**. Appuyez brièvement sur la touche **VOX (13)** pour passer au réglage suivant (en boucle **5L** / **RL** / **dt**). L'afficheur indique le type de réglage suivi de son niveau.

- **Sensibilité 5L** : permet de régler la sensibilité du micro (d'origine ou optionnel vox) pour une qualité de transmission optimum. Niveau réglable de **1** (niveau haut) à **9** (niveau bas) à l'aide du rotateur de canaux ou des touches **UP/DN** du micro d'origine. «**5L**» correspond à la Sensibilité (Sensitivity Level).
- **Anti-Vox «RL»** : permet d'empêcher l'émission générée par les bruits ambiants. Niveau réglable de **0** (Off) à **9** (bas niveau) à l'aide du rotateur de canaux ou des touches **UP/DN** du micro d'origine. «**RL**» correspond à l'Anti-Vox (Anti-Vox Level).
- **Temporisation dt** : permet d'éviter la coupure "brutale" de la transmission en rajoutant un délai à la fin de parole. Niveau réglable

de 1 (délai court) à 9 (délai long) à l'aide du rotateur de canaux ou des touches **UP/DN (5)** du micro d'origine.

«dt» correspond la temporisation (**Delay Time**).

Une fois les réglages effectués, appuyez pendant 1 seconde sur la touche **VOX (13)** pour sortir du mode **Ajustement du Vox**.

14) MEM ~ F

Fonctions non opérationnelles dans le modèle JFK II A+.

15) NB/ANL ~ SCAN ~ M3

NB/ANL (pression brève)

Noise Blanker / Automatic Noise Limiter. Ces filtres permettent de réduire les bruits de fond et certains parasites en réception. Une pression active les filtres dans l'ordre suivant :

NB off, **ANL** off → **NB** off, **ANL** on → **NB** on, **ANL** off → **NB** on, **ANL** on.

«**NB**» et/ou «**ANL**» s'affichent selon la configuration choisie.

En mode **FM**, seul le filtre **NB** est activable.

SCAN (pression longue)

Appuyer durant 1 seconde la touche **SCAN (14)** pour activer la fonction **SCAN** (balayage des canaux) dans un ordre croissant. «**SCAN**» s'affiche. Le balayage s'arrête dès qu'un canal est actif. Le balayage démarre automatiquement 3 secondes après la fin de l'émission si aucune touche n'est activée pendant ce temps. Le balayage redémarre aussi dans un ordre croissant en tournant le rotateur vers la droite ou le bouton **UP (5)** du micro, ou dans un ordre décroissant avec en tournant le rotateur vers la gauche ou le bouton **DN (5)** du micro.

Une nouvelle pression longue sur **SCAN** désactive la fonction.

M3

Fonction non opérationnelle dans le modèle JFK II A+.

16) PRISE MICRO 6 BROCHES

Elle se situe en façade de votre appareil et facilite ainsi son intégration à bord de votre véhicule.

Voir schéma de branchement en page 42.

17) PTT (Push To Talk)

Bouton d'émission, appuyer pour parler, **TX** s'affiche, et relâcher pour recevoir un message.

BEEP (changement de canal, touches etc.)

Pour activer la fonction **BEEP**, allumer l'appareil en appuyant sur la touche **UP** du micro. L'icône «**BP**» s'affiche. Pour désactiver la fonction, allumer l'appareil en appuyant sur la touche **DN** du micro. L'icône «**BP**» disparaît.

A) ALIMENTATION (13,8 V)

B) PRISE D'ANTENNE (SO-239)

C) PRISE POUR MICRO VOX OPTIONNEL (2,2KΩ electret, Ø 2,5 mm)

D) PRISE POUR HAUT-PARLEUR PUBLIC ADDRESS (8 Ω, Ø 3,5 mm)

E) PRISE POUR HAUT-PARLEUR EXTÉRIEUR (8 Ω, Ø 3,5 mm)

C) CARACTÉRISTIQUES TECHNIQUES

1) GÉNÉRALES

- Modes de modulation : AM / FM
- Gamme de fréquence : de 28.315 MHz à 28.755 MHz
- Impédance d'antenne : 50 ohms
- Tension d'alimentation : 13,8 V
- Dimensions (en mm) : 180 (L) x 188 (P) x 51 (H)
- Poids : 1,5 kg
- Accessoires inclus : 1 microphone UP/DOWN et son support, 1 berceau avec vis de fixation et cordon d'alimentation avec fusible.

2) ÉMISSION

- Tolérance de fréquence : +/- 300 Hz
- Puissance porteuse : 15 W AM (50 W PEP) / 15 W FM
- Émissions parasites : inférieure à 4 nW (- 54 dBm)
- Réponse en fréquence : 300 Hz à 3 kHz en AM/FM
- Puissance émise dans le canal adj. : inférieure à 20 µW
- Sensibilité du microphone : 3,0 mV
- Consommation : 5 A (avec modulation)
- Distorsion maxi. du signal modulé : 2 %

3) RÉCEPTION

- Sensibilité maxi à 20 dB sinad : 0,7 µV -110 dBm (AM)
0,35 µV -116 dBm (FM)
- Réponse en fréquence : 300 Hz à 3 kHz en AM/FM
- Sélectivité du canal adj. : 60 dB
- Puissance audio maxi : 2 W
- Sensibilité du squelch : mini 0,2 µV - 120 dBm
maxi 1 mV - 47 dBm
- Taux de réj. fréq. image : 60 dB
- Taux de réjection fréq. intermédiaire : 70 dB
- Consommation : 0,4 A nominal / 1,5 A max

D) GUIDE DE DÉPANNAGE

1) VOTRE POSTE N'ÉMET PAS OU VOTRE ÉMISSION EST DE MAUVAISE QUALITÉ

Vérifiez que :

- L'antenne soit correctement branchée et que le TOS soit bien réglé.
- Le micro soit bien branché.

2) VOTRE POSTE NE REÇOIT PAS OU VOTRE RÉCEPTION EST DE MAUVAISE QUALITÉ

Vérifiez que :

- Le niveau du squelch soit correctement réglé.
- Le bouton Volume soit réglé à un niveau convenable.
- L'antenne soit correctement branchée et le TOS bien réglé.
- Vous êtes bien sur le même type de modulation que votre interlocuteur.

3) VOTRE POSTE NE S'ALLUME PAS

Vérifiez :

- Votre alimentation.
- Qu'il n'y ait pas d'inversion des fils au niveau de votre branchement.
- L'état du fusible.

E) COMMENT ÉMETTRE OU RECEVOIR UN MESSAGE

Maintenant que vous avez lu la notice, assurez-vous que votre poste est en situation de fonctionner (antenne branchée).

Choisissez votre canal.

Choisissez votre mode (AM, FM) qui doit être le même que celui de votre interlocuteur.

Vous pouvez alors appuyer sur la pédale de votre micro, et lancer le message «Attention stations pour un essai TX» ce qui vous permet de vérifier la clarté et la puissance de votre signal et devra entraîner une réponse du type «Fort et clair la station».

Relâchez la pédale, et attendez une réponse. Dans le cas où vous utilisez un canal d'appel, et que la communication est établie

avec votre interlocuteur, il est d'usage de choisir un autre canal disponible afin de ne pas encombrer le canal d'appel.

F) GLOSSAIRE

ALPHABET PHONÉTIQUE INTERNATIONAL

A Alpha	H Hotel	O Oscar	V Victor
B Bravo	I India	P Papa	W Whiskey
C Charlie	J Juliett	Q Quebec	X X-ray
D Delta	K Kilo	R Romeo	Y Yankee
E Echo	L Lima	S Sierra	Z Zulu
F Foxtrott	M Mike	T Tango	
G Golf	N November	U Uniform	

CONDITIONS GÉNÉRALES DE GARANTIE

Cet appareil est garanti **2 ans** pièces et main d'œuvre dans le pays d'achat, contre tout défaut de fabrication validé par notre département technique. Le Service Après-vente PRESIDENT se réserve le droit de ne pas appliquer la garantie dans le cas où une panne est causée par une antenne autre que celles distribuées par PRESIDENT. Une extension de garantie de **3 ans** est proposée systématiquement pour l'achat simultané d'un poste et d'une antenne PRESIDENT, ce qui porte la durée totale de la garantie à **5 ans**. Pour faire valoir la garantie, veiller à effectuer son enregistrement en ligne sur le site de PRESIDENT ELECTRONICS dans un délai de 30 jours après la date d'achat, à l'adresse **www.president-electronics.us/warranty-registration**. Vous pouvez également accéder à cette page d'enregistrement de garantie à l'aide de votre smartphone pour lire (l'application doit être disponible) le code QR. Vous recevrez un courrier électronique de confirmation d'enregistrement de garantie. Nous vous recommandons de conserver une copie de ce courrier électronique.

Toute réparation sous garantie sera sans frais et les frais de livraison de retour seront pris en charge par PRESIDENT. Une preuve d'achat doit impérativement être jointe en cas de retour d'un Produit. Les dates figurant sur l'enregistrement de la garantie et la preuve d'achat doivent obligatoirement correspondre.

Dans le cas où l'appareil n'est plus sous garantie, la réparation et le retour de l'appareil seront facturés.

Aucune pièce détachée ne sera envoyée ni échangée par nos services au titre de la garantie. Assurez-vous d'avoir lu le manuel d'utilisation avant l'installation de l'appareil.

La garantie est valable uniquement dans le pays d'achat.

Sont exclus de la garantie:

- Les dommages causés par accident, tels que chocs, chutes, incendie ou emballage non approprié, la négligence, de mauvais entretien.
- L'usure normale d'un produit (les transistors de puissance, les micros, les lampes, les fusibles), l'utilisation non-conforme (y compris mais non limité à l'antenne utilisée avec puissance trop élevée, TOS trop important, inversion de polarité, mauvaises connexions, surtension, etc.), le non-respect des caractéristiques de montage et d'utilisation.

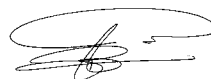
- La garantie ne peut être prolongée en raison de la non-disponibilité de l'appareil alors qu'il est en réparation au Service Après-vente PRESIDENT, ni par un changement d'un ou plusieurs composants ou pièces détachées.
- Tout Produit modifié ou réparé par le Client ou par toute autre personne non autorisée expressément par PRESIDENT.

Si vous constatez un dysfonctionnement :

- Vérifier l'alimentation électrique de votre appareil et la qualité du fusible.
- Vérifiez que l'antenne, le microphone sont correctement connecté.
- Vérifiez que le niveau du squelch soit correctement réglé; la configuration programmée soit la bonne.
- Dans le cas d'une réelle panne, veuillez contactez votre revendeur, qui décidera des mesures à prendre.

Au-delà de la période de garantie ou en dehors des conditions de garantie, vous aurez toujours la possibilité de faire inspecter ou réparer votre Produit. Dans ce cas, un devis vous sera communiqué.

Merci pour votre confiance dans la qualité et l'expérience de PRESIDENT. Pour que vous soyez pleinement satisfait de votre achat, nous vous conseillons de lire attentivement ce manuel.



La Direction Technique
et
Le Service Qualité



Warranty Registration



ADVERTENCIA PROPUESTA 65: Este producto contiene una sustancia química conocida en el Estado de California como causante de cáncer, defectos de nacimiento y otros daños reproductivos.

¡ ATENCIÓN !

Antes de la utilización tengan cuidado de nunca emitir sin haber previamente conectado la antena (conector "B" situado en la parte trasera de su equipo), ajustada la ROE (Relación de Ondas Estacionarias)! Sino, se expone a dañar el amplificador de potencia, no cubierto por la garantía.

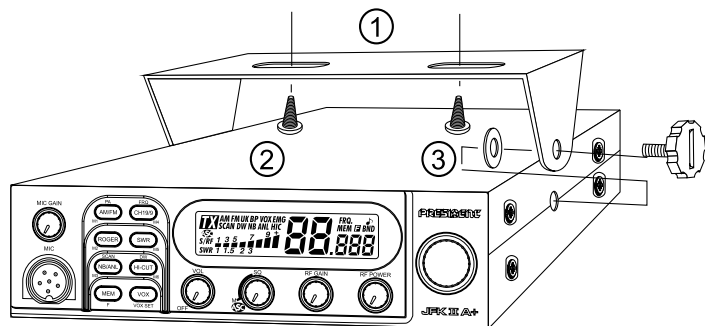
La garantía de este artículo sólo es válida en el país de compra.

Bienvenido al mundo de los emisores-receptores **PRESIDENT** de última generación. Esta nueva gama de estaciones le permite acceder a la comunicación electrónica más competitiva. Gracias a la utilización de tecnología punta que garantiza una calidad sin precedentes, su **PRESIDENT JFK II A+ ASC** representa un nuevo hito en la facilidad de uso y la solución por excelencia para el pro más exigente de emisoras. Para sacar el máximo partido de todas sus posibilidades, le aconsejamos leer atentamente estas instrucciones de uso antes de instalar y utilizar su **PRESIDENT PRESIDENT JFK II A+ ASC**.

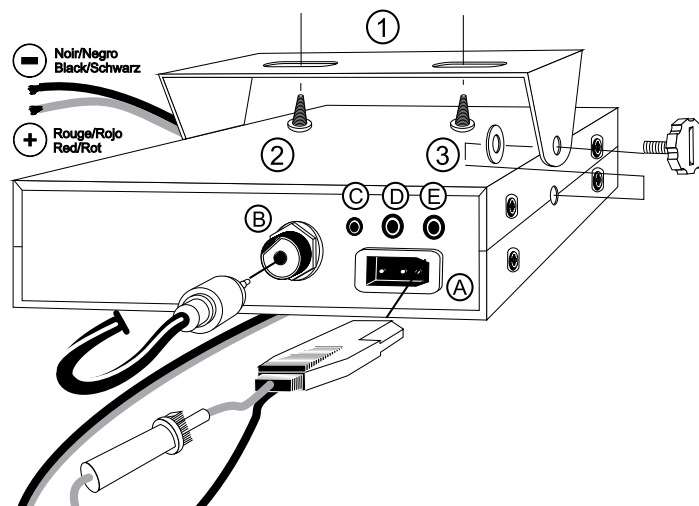
A) INSTALACIÓN

1) ELEGIR EL EMPLAZAMIENTO Y MONTAJE DEL PUESTO MÓVIL

- Escoja el emplazamiento más apropiado para una utilización simple y práctica de su estación móvil.
- Procure que no moleste ni al conductor ni a los pasajeros del vehículo.
- Prevea el paso y la protección de los diferentes cables, (alimentación, antena, accesorios) con el fin de que en ningún caso perturben la conducción del vehículo.



ESQUEMA GENERAL DE MONTAJE



- Utilice para el montaje el soporte (1) entregado con el aparato, fíjelo sólidamente con ayuda de los tornillos auto-roscantes (2) proporcionados (diámetro de agujero de 3,2 mm). Tenga cuidado de no dañar el sistema eléctrico del vehículo en el momento del taladro del salpicadero.
 - En el momento del montaje, no se olvide de insertar las arandelas de caucho (3) entre la estación y su soporte. Éstas tienen, en efecto, un papel "amortiguador" y permiten una orientación y presión suaves de la estación.
 - Escoja un emplazamiento para el soporte del micro y prevea el paso de su cable.
- **NOTA:** Su estación móvil que posee una toma de micro en la parte anterior puede ser empotrada en el cuadro de mandos. En ese caso, se recomienda añadirle un altavoz externo para una mejor escucha de las comunicaciones (conector EXT.SP situado en la cara posterior del aparato: E). Infórmese con su vendedor más próximo para el montaje en su aparato.

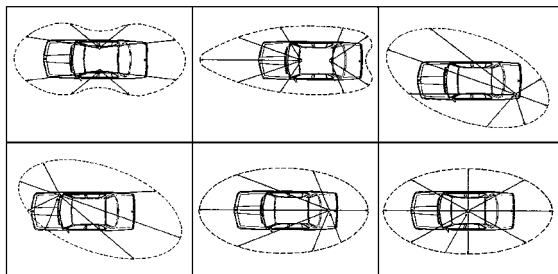
2) INSTALACIÓN DE LA ANTENA

a) Elección de la antena

- En radio comunicación, cuanto más grande es una antena, mejor es su rendimiento. Su Centro de Asesoramiento sabrá orientarle en su elección.

b) Antena móvil

- Hay que instalarla en un lugar del vehículo donde haya un máximo de superficie metálica (plano de masa), alejándose de los montantes del parabrisas y de la luneta trasera.
- En caso de que se haya instalado una antena de radio-teléfono, la antena debe estar por encima de ésta.
- Existen 2 tipos de antenas: las preajustadas y las regulables.
- Las preajustadas se utilizan preferentemente con un buen plano de masa (en el techo o en el maletero).
- Las regulables ofrecen un campo de uso mucho más ancho y permiten sacar partido de planos de masa menos importantes (véase § 5 **AJUSTE DE LA ROE** página 26).
- Para una antena de fijación por taladro, es necesario tener un contacto excelente entre la antena y el plano de masa; para ello, rasque ligeramente la chapa al nivel del tornillo y de la estrella de presión.
- En el momento del paso del cable coaxial, tenga cuidado de no pellizcarlo ni aplastarlo (riesgo de rotura o cortocircuito).
- Conecte la antena (**B**).



LÓBULO DE RADIACIÓN

c) Antena fija

- Procure abrirla al máximo. En caso de fijación sobre un poste, habrá que sostenerla eventualmente conforme a las normas vigentes (infórmese con un profesional). Las antenas y los accesorios PRESIDENT han sido especialmente concebidos para un rendimiento óptimo de todos los aparatos de la gama.

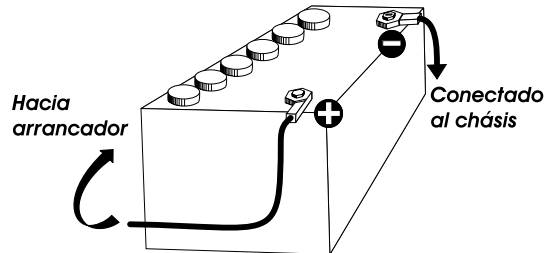
3) CONEXIÓN DEL ALIMENTADOR

Su PRESIDENT JFK II A+ ASC está provista de una protección contra las inversiones de polaridad.

Vuestra emisora debe estar alimentada por una fuente de corriente continua de 12 o 24 voltios (**A**). En este momento, la mayor parte de los coches y camiones funcionan con una toma de tierra negativa, se puede asegurar verificando que el terminal (-) de la batería esté bien conectado al bloque del motor o bastidor. En el caso contrario, consulte con su suministrador.

Todas las operaciones de conexión siguientes, deben efectuarse con el cable de alimentación no conectado a la emisora:

- a) Asegúrense que el alimentador sea de 12 o 24 Voltios.
- b) Identifique los polos (+) y (-) de la batería (+ = rojo, - = negro). En el caso que sea necesario alargar el cable de alimentación utilice un cable de sección equivalente o superior.
- c) Es necesario conectar sobre un (+) y (-) permanentes. Les aconsejamos enchufar directamente el cable de alimentación en la batería (el enchufe sobre el cable del auto-radio o sobre otras partes del circuito electrónico podrán en ciertos casos favorecer la recepción de las señales parásitas).



- d) Conecten el hilo rojo (+) al borne positivo de la batería y el hilo negro (-) al borne negativo de la batería.
- e) Conectar el cable de alimentación a la emisora.

ATENCIÓN: ¡No reemplace jamás el fusible de origen (5 A) por un modelo de un valor diferente!

4) OPERACIONES DE BASE QUE HAY QUE EFECTUAR ANTES DE LA PRIMERA UTILIZACIÓN, SIN PASAR POR EMISIÓN (sin apretar la palanca del micro)

- a) Conecte el micro.
- b) Verifique la conexión de la antena.
- c) Puesta en marcha del aparato: gire el botón del volumen **VOL (1)** en el sentido de las agujas del reloj hasta oír un "clic".
- d) Gire el botón del squelch **SQ (2)** al mínimo (posición **M**).
- e) Ajuste el botón del volumen **VOL (1)** a un nivel conveniente.
- f) Dirija la estación a la frecuencia 28,555 MHz con ayuda del selector de canales o la teclas **UP/DN (5)** del micrófono.

5) AJUSTE DE LA ROE (Relación de Ondas Estacionarias)

ATENCIÓN: Esta operación debe efectuarse necesariamente en el momento de la primera utilización del aparato o en el momento de un cambio de antena. Este ajuste debe realizarse en un lugar abierto, al aire libre.

Ajustes con el medidor de ROE externo (tipo TOS-1 PRESIDENT):

- a) Empalme del medidor de ROE:
 - Conecte el medidor de ROE entre la estación y la antena, lo más cerca posible de la estación (utilice para ello un cable de 40 cm máximo tipo CA-2C PRESIDENT).
- b) Ajuste de la ROE:
 - Posicione la estación hacia la frecuencia 28,555 MHz.
 - Sitúe el conmutador del medidor de ROE en posición **FWD** (calibración).
 - Apriete la palanca del micro para pasar a emisión.
 - Dirija la aguja al índice ▼ con ayuda del botón de calibración.
 - Ponga el conmutador en posición **REF** (lectura del valor de la ROE). El valor leído en el indicador debe estar muy cerca de 1. En caso contrario, reajuste su antena hasta obtener un valor lo más cerca posible a 1 (puede aceptarse un valor de la ROE comprendido entre 1 y 1,8).

- Es necesario recalibrar el medidor de ROE entre cada operación de ajuste de la antena.

Observación: Con el fin de evitar las pérdidas y las atenuaciones en los cables de conexión entre la radio y sus accesorios, PRESIDENT recomienda una longitud de cable inferior a 3m.

Ahora, su estación está preparada para funcionar.

B) UTILIZACIÓN

1) FUNCIONAMIENTO / DETENCIÓN - VOLUMEN

- a) Para encender su estación, gire el botón **VOL (1)** en el sentido de las agujas del reloj.
- b) Para aumentar el volumen sonoro, siga girando este botón en el sentido de las agujas del reloj.

2) ASC (Automatic Squelch Control) / SQUELCH

Esta función permite suprimir los ruidos de fondo indeseables en ausencia de comunicación. El squelch no actúa ni sobre el volumen sonoro ni sobre la potencia de emisión, pero permite mejorar considerablemente la comodidad de escucha.

a) ASC: SQUELCH CON AJUSTE AUTOMÁTICO

Patente mundial, exclusiva de PRESIDENT

Gire el botón del squelch **SQ (2)** en el sentido contrario a las agujas del reloj en posición **ASC**. En el visualizador aparece «**ASC**». Cuando **ASC** está activo, no puede hacerse ningún ajuste manual repetitivo ni optimización permanente entre la sensibilidad y la comodidad de escucha. Esta función puede desactivarse por rotación del botón en el sentido de las agujas del reloj. En ese caso, el ajuste del squelch vuelve a ser manual. «**ASC**» desaparece del visualizador.

b) SQUELCH MANUAL

Gire el botón del squelch en el sentido de las agujas del reloj hasta el punto exacto en que desaparezca cualquier ruido de fondo. Este ajuste debe efectuarse con precisión, porque, en posición máxima en el sentido de las agujas del reloj, sólo las señales más fuertes pueden ser percibidas.

3) RF GAIN

Ajuste de la sensibilidad en recepción. Posición máxima en el caso de recepción de comunicación de larga distancia. Usted puede reducir la **RF GAIN**, para evitar distorsiones, cuando el interlocutor está cerca.

Reduzca la Ganancia en recepción en caso de una comunicación cercana con un interlocutor no equipado con un **RF POWER**.

La posición normal de esta función se sitúa al máximo en el sentido de las agujas del reloj.

4) RF POWER

Función inoperativa en el modelo JFK II A+ ASC.

5) SELECTOR DE CANALES: Botón rotativo y teclas UP/DN del micro

Estos botones permiten subir o bajar un canal. Se emite un "Beep" sonoro en cada cambio de canal si la función **BEEP** está activada.

Véase función **BEEP** página 29.

6) VISUALIZADOR

Permite visualizar el conjunto de las funciones:



El gráfico de barras visualiza el nivel de recepción, el nivel de potencia emitida y el valor de ROE.

7) SWR ~ M5

SWR

Permite cambiar la función del Vúmetro. Pulsando se alterna entre **SWR** y **S/R/F**.

SWR: Lectura del valor de ROE en el visualizador (escala de 1 a 3).

S/R/F: Lectura en el vúmetro de la potencia de emisión y de recepción.

M5

Función inoperativa en el modelo JFK II A+ ASC.

8) CH19 / 9 ~ FRQ ~ M4

Funciones inoperativas en el modelo JFK II A+ ASC.

9) SELECTOR DE MODO AM/FM ~ PA ~ M1

AM/FM (presión breve)

Este conmutador permite seleccionar el modo de modulación AM o FM.

Su modo de modulación debe corresponder al de su interlocutor.

Modulación de Amplitud / AM: Comunicaciones sobre el terreno con relieves y obstáculos a media distancia (el modo más utilizado en Francia).

Modulación de Frecuencia / FM: Comunicación cercana en terreno llano y libre.

PA (Public Address) (presión larga)

Puede conectarse un altavoz de sonorización exterior en el PRESIDENT JFK II A+ ASC con una toma jack situada en el panel trasero PA.SP (D). Una presión larga permite conmutar entre los modos **PA** y **radio**. En modo **PA**, aparece «PA» en el visualizador, el mensaje emitido en el micrófono será dirigido hacia el altavoz exterior y amplificado. Mantenga el micrófono a una distancia suficiente de este altavoz para evitar el efecto Larsen.


El volumen del PA se puede regular mediante el botón **MIC GAIN**. Visualización del nivel en el vúmetro.

M1

Función inoperativa en el modelo JFK II A+ ASC.

10) ROGER ~ M2

ROGER (presión breve)

Aparece el icono «» en el visualizador cuando se activa la función. El **Roger Beep** emite un pitido cuando se suelta el pedal del micro para dejarle la palabra a su interlocutor. Históricamente, al ser la PRESIDENT un modo de comunicación «simplex», es decir que no

es posible hablar y escuchar al mismo tiempo (como en el caso del teléfono por ejemplo), era usual decir "Roger" cuando se había terminado de hablar para avisar al interlocutor que ya podía hablar. La palabra "Roger" ha sido reemplazada por un "Beep" significativo, de ahí su nombre "Roger Beep".

Observación: El **ROGER BEEP** también se escucha en el altavoz si la función Beep está activada. Si la función **BEEP** no está activada, sólo el interlocutor puede escuchar el **ROGER BEEP**.

M2

Función inoperativa en el modelo JFK II A+ ASC.

11) MIC GAIN

Ajuste del nivel de sensibilidad del micro.

La posición normal de esta función se sitúa al máximo en el sentido de las agujas del reloj.

12) HI-CUT ~ DW ~ M6

HI-CUT (presión breve)

Eliminación de los parásitos de alta frecuencia. Para utilizar en función de las condiciones de recepción. Una presión breve activa el filtro **HI-CUT** y aparece «**HIC**» en el visualizador. Una nueva presión desactiva la función y «**HIC**» desaparece.

DW (presión larga)

Una presión más larga (1 s.) permite activar la función **DW** (Doble Vigilancia). Esta función permite efectuar una vigilancia entre el canal 19 o 9 y el canal en curso. La primera presión larga activa la función **DW** entre el canal 19 y el canal en curso. Una nueva presión activa la función entre el canal 9 y el canal en curso. Se muestra «**DW**». El número del canal escogido y el canal 19 ó 9 se muestran alternativamente. También se muestra el icono «**EMG**» al mismo tiempo que el canal 19 ó 9. El canal escogido puede ser modificado durante la doble vigilancia. Una nueva presión larga permite desactivar la función **DW**.

M6

Función inoperativa en el modelo JFK II A+ ASC.

13) VOX ~ VOX SET

VOX (presión breve)

Utilizable en modo **radio** o **PA**, la función **VOX** permite emitir hablando en el micro de origen (o en el micro vox opcional) sin apretar el pedal **PTT (17)**. La utilización de un micro vox opcional conectado detrás del aparato (**C**) desactiva el micro de origen.

Apriete brevemente el botón **VOX (13)** para activar la función **VOX**. Aparece en el visualizador el icono «**VOX**». Una nueva presión en el botón **VOX (13)** desactiva la función. El icono «**VOX**» desaparece.

VOX SET (presión larga)

Pulse durante un segundo el botón **VOX (13)** para activar la función **Ajuste del Vox**. Hay tres ajustes posibles: Sensibilidad **5L** / Nivel Anti-Vox **R_L** / Temporización **dt**. Apriete brevemente el botón **VOX (13)** para pasar al siguiente ajuste (en bucle **5L/R_L/dt**). El visualizador indica el tipo de ajuste seguido de su nivel.

- **Sensibilidad 5L**: permite ajustar la sensibilidad del micro (de origen u opcional vox) para una calidad de transmisión óptima. Nivel regulable de **1** (nivel alto) a **9** (nivel bajo) con ayuda del disco de canales o de los botones **UP/DN** del micro de origen. **5L** corresponde a la Sensibilidad (**Sensibility Level**).
- **Anti-Vox R_L**: permite impedir la emisión generada por los ruidos del entorno. Nivel regulable de **0** (Off) a **9** (nivel bajo) con ayuda del disco de canales o de los botones **UP/DN** del micro de origen. **R_L** corresponde al Anti-Vox (**Anti-Vox Level**).
- **Temporización dt**: permite evitar el corte «brutal» de la transmisión añadiendo un tiempo al final de palabra. Nivel regulable de **1** (tiempo corto) a **9** (tiempo largo) con ayuda del disco de canales o de los botones **UP/DN** del micro de origen. **dt** corresponde a la temporización (**Delay Time**).

Una vez efectuados los ajustes, apriete durante 1 segundo el botón **VOX (13)** para salir del modo **Ajuste del Vox**.

14) MEM ~ F

Funciones inoperativas en el modelo JFK II A+ ASC.

15) NB/ANL ~ SCAN ~ M3

NB/ANL (presión breve)

Noise Blanker / Automatic Noise Limiter. Estos filtros permiten reducir los ruidos de fondo y ciertos parásitos en recepción. Una presión activa los filtros en el siguiente orden:

NB off, **ANL** off → **NB** off, **ANL** on → **NB** on, **ANL** off → **NB** on, **ANL** on. Se muestran «**NB**» y/o «**ANL**» según la configuración escogida.

En modo **FM**, sólo el filtro **NB** está activo.

SCAN (presión larga)

Pulse durante un segundo la tecla **SCAN** (15) para activar la función **SCAN** (barrido de los canales) en orden creciente. Se muestra «**SCAN**». El barrido se para tan pronto como un canal esté activo. El barrido se pone en marcha automáticamente 3 segundos después del fin de la emisión si no se activa ningún botón durante este tiempo.

El barrido se vuelve a poner en marcha en un orden creciente girando el disco hacia la derecha o el botón **UP** (5) del micro, o en un orden decreciente girando el disco hacia la izquierda o el botón **DN** (5) del micro.

Una nueva presión larga en **SCAN** (15) desactiva la función.

M3

Función inoperativa en el modelo JFK II A+ ASC.

16) TOMA DE MICRO DE 6 CLAVIJAS

Se encuentra delante del aparato y facilita así su integración a bordo del vehículo.

Véase esquema de conexión en la página 42.

17) PTT (Push to Talk)

Botón de emisión, apriete para hablar, se muestra **TX**, y suelte para recibir un mensaje.

BEEP (cambio de canal, botones etc.)

Para activar la función **BEEP**, encienda el aparato apretando el botón **UP** del micro. Se muestra el icono «**BP**». Para desactivar la función, encienda el aparato apretando el botón **DN** del micro. El icono «**BP**» desaparece.

A) ALIMENTACIÓN (13,8 V)

B) TOMA DE ANTENA (SO-239)

C) TOMA PARA MICRO VOX OPCIONAL (2,2KΩ electret, Ø 2,5 mm)

D) TOMA PARA ALTAVOZ PUBLIC ADDRESS (8 Ω, Ø 3,5 mm)

E) TOMA PARA ALTAVOZ EXTERIOR (8 Ω, Ø 3,5 mm)

C) CARACTERÍSTICAS TÉCNICAS

1) GENERALES

- Modos de modulación : AM / FM
- Gama de frecuencias : de 28.315 MHz a 28.755 MHz
- Impedancia de la antena : 50 ohms
- Tensión de la alimentación : 13,8 V
- Dimensiones (en mm) : 180 (L) x 188 (P) x 51 (A)
- Peso : 1,5 kg
- Accesorios incluidos : 1 micrófono UP/DOWN y soporte, 1 soporte de montaje y tornillos de fijación, cable de alimentación con fusible.

2) EMISIÓN

- Tolerancia de frecuencia : +/- 300 Hz
- Potencia portadora : 15 W AM (50 W PEP) / 15 W FM
- Emisiones parásitas : inferior a 4 nW (-54 dBm)
- Respuesta en frecuencia : 300 Hz a 3 KHz en AM/FM
- Potencia emisión en el canal adj. : inferior a 20 μ W
- Sensibilidad del micrófono : 3,0 mV
- Consumo : 5 A (con modulación)
- Distorsión máx. señal modul. : 2 %

3) RECEPCIÓN

- Sensibilidad máx. a 20dB sinad. : 0,7 μ V -110 dBm (AM)
0,35 μ V -116 dBm (FM)
- Respuesta en frecuencia : 300 Hz a 3 KHz en AM/FM
- Sensibilidad del canal adj. : 60 dB
- Potencia audio máx. : 2 W
- Sensibilidad del silenciador (squelch) : mini 0,2 μ V -120 dBm
máx. 1 mV -47 dBm
- Tasa de rechazo frec. imagen : 60 dB
- Tasa de rechazo frec. inter. : 70 dB
- Consumo : 0,4 A nominal / 1,5 A máx.

D) GUÍA DE PROBLEMAS

1) LA EMISORA NO EMITE O VUESTRA EMISIÓN ES DE MALA CALIDAD

Verifique que:

- La antena esté correctamente conectada y que el ROE esté bien ajustado.
- El micro esté bien conectado.

2) LA EMISORA NO RECIBE O VUESTRA RECEPCIÓN ES DE MALA CALIDAD

Verifique que:

- El nivel del squelch esté correctamente ajustado,
- El botón Volumen esté ajustado a un nivel conveniente,
- La antena esté correctamente conectada y el ROE esté bien ajustado,
- Usted esté en el mismo tipo de modulación que su interlocutor.

3) LA EMISORA NO SE ILUMINA

- Verificar el alimentador.
- Verificar que no haya una inversión en los hilos al nivel de la aco- metida.
- Verificar el fusible.

E) COMO EMITIR O RECIBIR UN MENSAJE

Ahora que ha leído la nota de aviso, asegure que su emisora esté lista para funcionar (antena conectada).

Elija el canal (19 o 27).

Elija el modo (AM, FM) teniendo en cuenta que debe ser el mismo que el de su interlocutor.

Puede entonces apretar sobre el pedal de su micrófono, y lanzar el mensaje "atención estaciones, ensayo de emisora", lo que permite verificar la claridad y la potencia de su señal y debe provocar una contestación de tipo: "fuerte y claro la estación".

Suelte el pedal y espere una contestación. Si utiliza un canal de

llamada, y la comunicación se establece, es preciso elegir otro canal disponible para no obstruir el canal de llamada.

F) LÉXICO

ALFABETO FONÉTICO INTERNACIONAL

A Alpha	H Hotel	O Oscar	V Victor
B Bravo	I India	P Papa	W Whiskey
C Charlie	J Juliett	Q Quebec	X X-ray
D Delta	K Kilo	R Romeo	Y Yankee
E Echo	L Lima	S Sierra	Z Zulu
F Foxtrott	M Mike	T Tango	
G Golf	N November	U Uniform	

CONDICIONES GENERALES DE GARANTÍA

Este aparato tiene una garantía de **2 años** de piezas y mano de obra en el país de compra, contra cualquier vicio o defecto de fabricación que sea reconocido por nuestro departamento técnico. El laboratorio del SPV de PRESIDENT se reserva el derecho de no aplicar la garantía si una avería ha sido provocada por una antena no distribuida por la marca PRESIDENT. Una extensión de garantía de **3 años** se aplicará sistemáticamente, por la compra simultánea de una emisora y de una antena de la marca PRESIDENT, aumentando la garantía total a **5 años**. Para ser válido, el registro de la garantía debe ser completado y enviado dentro de los 30 días siguientes a la compra para PRESIDENT al **www.president-electronics.us/warranty-registration**. También puede acceder a esta página de registro de garantía mediante el uso de su smartphone para leer (la aplicación debe estar disponible) el código QR. Usted recibirá un correo electrónico de confirmación si el registro se ha realizado correctamente. Le recomendamos que guarde una copia de este correo electrónico.

Cualquier reparación en garantía será gratis y los gastos de envío de vuelta correrán a cargo de PRESIDENTE. La prueba de compra, factura de venta, debe ser obligatoriamente adjunta al aparato cuando se envíe para su reparación. Las fechas inscritas en el resguardo de garantía y la prueba de compra deben concordar.

En caso de que la unidad está fuera de garantía, se le cobrará la reparación y devolución del aparato.

Ninguna pieza de recambio será enviada, por nuestro departamento técnico, en base a la garantía.

Asegúrese de haber leído el manual antes de la instalación de la unidad.

La garantía sólo es válida en el país de compra.

Esta garantía no cubre:

- Los daños causados por accidente, como golpes, caídas, incendios, embalaje inadecuado, negligencia o mantenimiento inadecuado.
- El desgaste normal de un producto (transistores de potencia, micrófonos, luces, fusibles), el uso indebido (incluyendo la antena utilizada, demasiada ROE, polaridad inversa, malas conexiones, sobre-tensión, etc.), y si no se siguen las características de instalación y el uso.

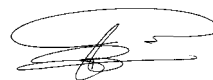
- La garantía no puede extenderse debido a la falta de disponibilidad del dispositivo, mientras está siendo reparado en el SPV PRESIDENT, ni por un cambio de uno o más componentes o piezas de repuesto.
- Todos los productos modificados o reparados por el cliente o cualquier otra persona no autorizada expresamente por PRESIDENT.

Si Ud. observa defectos de funcionamiento:

- Compruebe la alimentación de su aparato y el estado del fusible.
- Compruebe que la antena y el micrófono están conectados correctamente.
- Compruebe que el nivel de squelch está configurado correctamente y la configuración programada es la correcta.
- En caso de un fallo de funcionamiento real, por favor póngase en contacto con su distribuidor en primer lugar, que decidirá qué medidas tomar.

En caso de una intervención no cubierta por la garantía o fuera del plazo, usted tendrá posibilidad de hacer inspeccionar o reparar su producto. Se hará un presupuesto previo por escrito para su posterior aceptación.

Ud. ha confiado en la experiencia y calidad de PRESIDENT y se lo agradecemos. Para que quede totalmente satisfecho de su compra, aconsejamos leer atentamente este manual.



La Dirección Técnica

y el

Departamento de Calidad



Warranty Registration



AVISO PROPOSIÇÃO 65: Este produto contém uma substância química conhecida no Estado da Califórnia por causar câncer e defeitos congênitos ou outros danos reprodutivos.

AVISO!

- *Antes da utilização, tenham cuidado de nunca emitir sem ter previamente conectado a antena (conector "B" situado na parte de trás do seu aparelho), ajustado a ROE (Relação das Ondas Estacionárias)! Senão, pode-se danificar o amplificador de potência, não coberto pela garantia.*

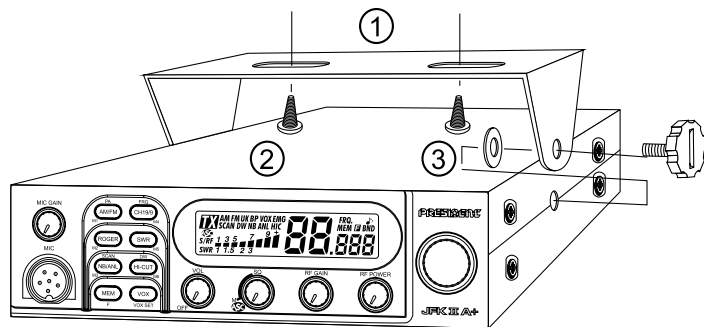
A garantia deste artigo só é válida no país de compra.

Bem vindo ao mundo da nova geração de rádios transceptores. A nova gama PRESIDENT dá acesso a equipamentos Transceptores de desempenho de topo. Com a utilização de modernas tecnologias, que garante qualidade sem precedentes, o presidente JFK II A+ ASC é um novo passo na comunicação pessoal e é a escolha mais segura para os mais exigentes Radioamadores. Para garantir que você aproveita ao máximo de todas as suas capacidades, aconselhamo-lo a ler atentamente este manual antes de instalar e utilizar o seu PRESIDENT JFK II A+ ASC.

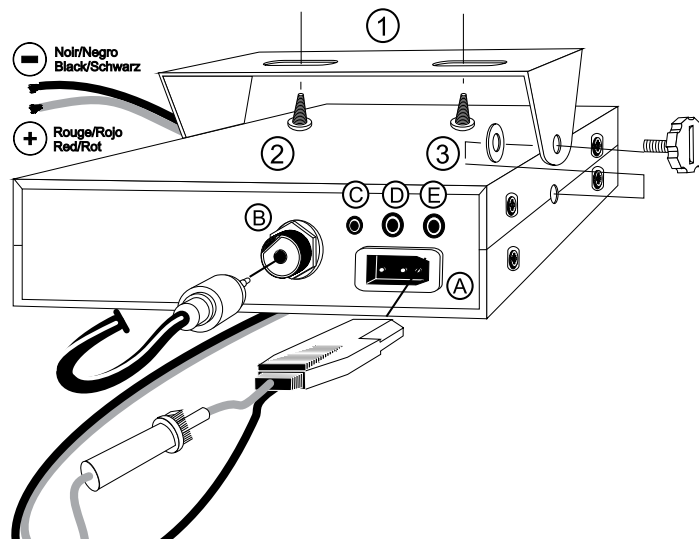
A) INSTALAÇÃO

1) ONDE E COMO MONTAR O SEU TRANSCETOR

- Você deve escolher a configuração mais adequada do ponto simples e prático de vista.
- O rádio transceptor não deve interferir com o motorista ou com os passageiros.
- Lembre-se de prever a passagem e proteção de fios diferentes (por exemplo, alimentação, antena, cabos acessório) para que eles não interfiram de modo algum com a condução do veículo.



ESQUEMA GERAL DE MONTAGEM



- Para instalar o equipamento, use o suporte (1) e os parafusos auto-perfurantes (2) fornecido (diâmetro da perfuração 3,2 mm). Tome cuidado para não danificar o sistema elétrico do veículo durante a perfuração do painel de bordo.
- Não se esqueça de inserir as anilhas de borracha (3) entre o transceptor e seu apoio uma vez que estes têm um efeito de absorção de choque que permite suave orientação e aperto do conjunto.
- Escolha onde colocar o suporte do microfone e lembre-se de que o cabo do microfone deve esticar para o motorista, sem interferir com os controles do veículo.

NB: Como o transceptor tem uma tomada de microfone frontal, que pode ser definido no painel de bordo. Neste caso, você vai precisar adicionar um alto-falante externo para melhorar a qualidade do som de comunicações (conector EXT SP situados no painel traseiro: E). Pergunte ao seu revendedor para obter conselhos sobre a montagem do seu rádio transceptor.

2) INSTALAÇÃO DA ANTENA

a) Escolher a sua antena

- Para rádios transceptores, mais a antena, melhor seus resultados. O seu revendedor será capaz de ajudá-lo com a sua escolha de antena.

b) Antena móvel

- Deve ser fixado ao veículo onde há um máximo de superfície metálica (plano de terra), longe de montagens de para-brisas.
- Se você já tem uma antena de rádio telefone instalado, a antena transceptora deve ser maior do que isso.
- Existem dois tipos de antenas: pré regulamentadas, que devem ser usados num bom plano de terra (por exemplo, no telhado do carro ou tampa de porta-bagagens) e ajustável, que oferecem uma gama muito maior e pode ser usado em um plano de terra menor (veja § **COMO AJUSTAR SWR**, página 26).
- Para uma antena que deve ser fixada pela perfuração, você vai precisar de um bom contacto entre a antena e o plano de terra. Para obter isso, você deve levemente raspar a superfície onde o parafuso e anilha estrela de aperto devem ser colocados.
- Tenha cuidado para não apertar ou achatado o cabo coaxial (como este corre o risco de quebra e / ou curto-circuito).
- Ligue a antena (**B**).

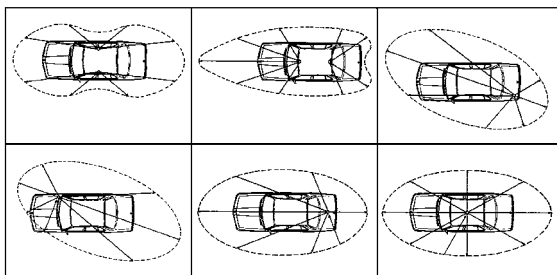


DIAGRAMA DE RADIAÇÃO

c) Antena fixa

- A antena fixa deve ser instalada em um espaço mais claro possível. Se ela é fixada em um mastro, que será talvez necessário para ficar que, de acordo com a legislação em vigor (você deve procurar aconselhamento profissional). Todas as antenas e acessórios PRESIDENT são projetadas para dar o máximo de eficiência para cada rádio transceptor dentro da gama.

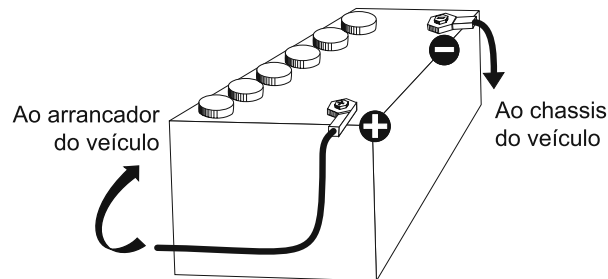
3) LIGAÇÃO DE ALIMENTAÇÃO

Seu PRESIDENT JFK II A+ ASC está protegido contra inversão de polaridade. No entanto, antes de ligá-lo, você é aconselhado a verificar todas as ligações. O equipamento deve ser alimentado com uma corrente contínua de 12 volts (**A**). Hoje, a maioria dos carros e caminhões são de negativo à terra. Você pode verificar isso para ter certeza de que o terminal negativo da bateria está ligado tanto ao bloco do motor ou ao chassis. Se não for este o caso, você deve consultar o seu revendedor.

ATENÇÃO: Camiões geralmente têm duas baterias e uma instalação elétrica de 24 volts, caso em que será necessário inserir um conversor 24/12 Volts (tipo CV 24/12 PRESIDENT) para o circuito elétrico. Os passos seguintes de ligação devem ser realizados com o cabo de força desligado do conjunto.

a) Verifique se a bateria é de 12 volts.

b) Localize os terminais positivo e negativo da bateria (+ é vermelho e - é preto). Se for necessário para alongar o cabo de alimentação, você deve usar o mesmo ou um tipo de cabo superior.



- c) É necessário ligar o transceptor a uma ligação permanente (+) e (-). Aconselhamo-lo a ligar o cabo de alimentação diretamente à bateria (como a ligação do cabo de transceptor para a fiação do carro - rádio ou outras partes do circuito elétrico pode, em alguns casos, aumentar a probabilidade de interferência).
- d) Ligue o fio vermelho (+) ao terminal positivo da bateria e o preto (-) fio ao terminal negativo da bateria.
- e) Ligue o cabo de alimentação para o seu rádio transceptor.

AVISO: Nunca substitua o fusível original (5 A) por um de um valor diferente.

4) OPERAÇÕES BÁSICAS DE SEREM FEITAS ANTES DE USAR O SEU TRANSCETOR PELA PRIMEIRA VEZ (sem transmitir e sem utilizar a tecla PTT “push-to-talk” no microfone)

- a) Ligue o microfone
- b) Verifique as conexões da antena
- c) Ligue o aparelho rodando o botão de volume **VOL (1)** no sentido horário.
- d) Rode o botão silenciador squelch **SQ (2)** para o mínimo.
- e) Ajuste o volume para um nível confortável.
- f) Ir para a frequência 28,555 MHz utilizando os seletores de canais (5).

5) COMO AJUSTAR SWR (relação de onda estacionária)

AVISO: Este processo deve ser sempre repetido sempre que utilizar o seu rádio pela primeira vez e sempre que reposicionar a antena. O ajustamento deve ser realizado numa área livre de obstáculo.

* Ajustamento com um medidor de ondas estacionárias externo (e.g. TOS-1 PRESIDENT)

- a) Ligação do Medidor SWR:
 - Ligue o mais próximo possível o medidor SWR entre o rádio e a antena. (utilize um cabo de 40 cm no máximo, tipo President CA 2C).
- b) Ajuste do medidor SWR:
 - Coloque o rádio na frequência 28,555 MHz.
 - Coloque o botão do medidor de SWR na posição **FWD** (calibração).
 - Pressione a **PTT (17)** no microfone para transmitir.

- Através do botão ou tecla de calibração transporte a agulha de calibragem até a posição ▼.
- Mude a posição do botão no medidor para a posição **REF** (Ler a nível de ondas estacionárias). O valor lido no medidor deve ser o mais próximo possível de 1. Se não for o caso reajuste a sua antena para obter um valor o mais próximo possível de 1. (Um valor de SWR entre 1 e 1.8 é aceitável).
- Será sempre necessário recalibrar o medidor após cada ajuste da antena.

Aviso: Para quaisquer perdas e atenuações em cabos utilizados para a ligação entre o rádio e os seus acessórios, PRESIDENT recomenda usar um cabo com um comprimento inferior a 3 m.

Seu transceptor está agora pronto para o uso.

B) COMO USAR O SEU TRANSCETOR

1) ON/OFF ~ VOLUME

- a) Para **ligar** o rádio: rode o botão **VOL (1)** no sentido horário.
- b) Para **ajustar** o volume: rádio ligado, rode o botão **VOL (1)**.

2) ASC (controle de Squelch automático) ~ SQUELCH

Suprime ruídos indesejáveis quando não há comunicação. O squelch não afeta o som nem a potência de transmissão, mas permite uma melhoria considerável do conforto auditivo.

a) ASC: CONTROLE SQUELCH AUTOMÁTICO

Patente em todo o mundo, uma exclusividade PRESIDENT.

Rode o botão **SQ(2)** anti-horário para a posição **ASC**. “**ASC**” aparece no LCD. Sem repetir o ajuste manual, há uma melhoria permanente entre a sensibilidade e o conforto de audição quando **ASC** está ativo. Esta função pode ser desligada, rodando o botão no sentido horário.

b) SQUELCH MANUAL

Rode o botão **SQ (2)** no sentido horário até ao ponto exato em que todo o ruído de fundo desaparece. Este ajuste deve ser feito com precisão pois se fosse definido como máximo (totalmente no sentido horário), apenas os sinais mais fortes serão recebidos.

3) RF GAIN

Em recepção (**RX**), rode o botão **RF GAIN (3)** para ajustar o ganho de RX. No sentido horário para aumentar, para a esquerda para diminuir o ganho.

A posição normal deste botão é no máximo.

4) RF POWER

Função não operacional no modelo JFK II A+ ASC.

5) SELETOR DE CANAIS: botão rotativo e teclas ▲/▼ do microfone

Permite aumentar ou diminuir o número de canal.

Um "Beep" sonoro soará cada vez que as mudanças de canal, quando a função **BEEP** está ativada (veja § **BEEP DE TECLADO** página 39).

6) LCD



O gráfico de barras indica o nível de recepção, a potência emitida e o nível de SWR.

7) SWR ~ M5

SWR

Permite mudar a função do medidor. Presione a tecla **SWR** para alternar entre a medida **SWR** e **S/RF**.

SWR: Leitura do valor SWR no LCD (escala de 1 a 3).

S/RF: Leitura no LCD da potência de emissão e de recepção.

8) CH 19/9 ~ FRQ ~ M4

Funções não operacional no modelo JFK II A+ ASC.

9) SELETOR DE MODO AM/FM ~ PA ~ M1

AM/FM (pressão breve)

Pressione a tecla **MODE (18)** para selecionar o modo de modulação AM ou FM. O modo correspondente é exibido na tela LCD.

Seu modo de modulação deve corresponder ao do seu correspondente.

Frequência Modulada / FM: para comunicações próximas em um campo aberto plano.

Amplitude Modulação/ AM: comunicação em um campo com alívio e obstáculos à meia distância (o mais usado).

PA (Public Address) (pressão longa)

Você pode conectar um alto-falante externo no PRESIDENTE JFK II A + ASC na tomada jack PA.SP no painel traseiro (**D**). Uma pressão longa permite alternar entre os modos **PA** e **rádio**. No modo **PA**, "PA" aparece no LCD, a mensagem transmitida para o microfone será dirigida para o alto-falante externo e amplificada. Guarde o microfone a uma distância suficiente do alto-falante para evitar o efeito Larsen.

O volume do **PA** pode ser regulada pelo botão **GAIN MIC**. O medidor no LCD indica o nível.

M1

Função não operacional no modelo JFK II A+ ASC.

10) ROGER ~ M2

ROGER (pressão breve)

Pressione a tecla **ROGER (10)** para ativar/desativar a função **ROGER BEEP**. "♪" aparece no LCD quando a função está ativa.

O Roger beep emite um sinal sonoro quando se solta a tecla de **PTT (17)** do microfone, a fim de deixar a fala ao seu correspondente.

Historicamente como transceptor é um modo de comunicação "simples", não é possível falar e escutar ao mesmo tempo (como é o caso com um telefone). Uma vez que alguém tenha acabado de falar, ele disse: "Roger", a fim de avisar o seu correspondente que era a sua vez de falar. A palavra "Roger" foi substituída por um sinal significativo com nome de "Roger beep".

Nota: Roger Beep também é ouvido no alto-falante se a função **BEEP** é ativada. Se a função **BEEP** não estiver ativada, somente o correspondente pode ouvir o **Roger Beep**.

M2

Função não operacional no modelo JFK II A+ ASC.

11) MIC GAIN

Ajustando do nível de sensibilidade do microfone.

A posição normal de esta botão é no máximo na direção dos ponteiros do relógio.

12) HI-CUT ~ DW ~ M6

HI-CUT (pressão longa)

HI-CUT : Corta as interferências de alta frequência e tem de ser utilizado de acordo com as condições de recepção. Quando ativo "**HIC**" é exibido no LCD.

DW (DUPLA ESCUTA) (pressão longa)

Pressão mais longa (1 s.) para ativar a função **DW** (Dual Watch). Esta função permite a dupla escuta entre os canais 9 ou 19 e o canal em uso. A primeira pressão longo ativa a função **DW** entre o canal 19 e o canal corrente. Uma nova pressão ativa a função entre o canal 9 e o canal corrente. "**DW**" é exibido. O número do canal selecionado e o canal 19 ou 9 são exibidos alternadamente. o ícone "**EMG**" também é apresentado enquanto o canal 19 ou 9. O canal selecionado pode ser alterado durante a escuta dupla. Uma nova pressão longa permite desativar a função.

M6

Função não operacional no modelo JFK II A+ ASC.

13) VOX ~ VOX SET

VOX (pressão breve)

Utilizável no modo **PA** o **rádio**, a função **VOX** permite falar no microfone de origem (ou microfone vox opcional) sem pressionar

o pedal **PTT (17)**. A utilização de um microfone vox opcional conectado atrás da unidade (**C**) desativa o microfone original. Pressione brevemente a tecla **VOX** para ativar a função **VOX**. o ícone "**VOX**" aparece no LCD. Uma nova pressão sobre a tecla **VOX** desativa a função. O ícone "**VOX**" desaparece.

VOX SET (pressão longa)

Pressione durante 1 segundo a tecla **VOX**, a fim de ativar a função **Ajuste do Vox**. Três características são possíveis: Nível de sensibilidade (**5L**), Nível de Anti-Vox (**R_L**) e Temporização (**d_t**).

Pressione brevemente a tecla **VOX** a fim de passar à função seguinte (na ordem: **5L/R_L/d_t**).

- Sensibilidade **5L**: permite ajustar o microfone (original ou vox opcional) para uma qualidade de transmissão ideal. Nível ajustável de **1** (alta sensibilidade) a **9** (baixa sensibilidade) com as teclas **UP/DN** do microfone. **5L** corresponde ao nível de sensibilidade (**Sensibility Level**)
- Anti-Vox **R_L** permite impedir a transmissão gerada pelo ruído ambiente. O nível é ajustável: **0** (OFF), a partir de **1** (nível alto) a **9** (nível baixo) com com as teclas **UP/DN** do microfone. **R_L** corresponde ao nível de Anti-Vox (**Anti-vox Level**).
- Temporização **d_t**: permite evitar o corte repentino da transmissão pela adição de um atraso no final da palavra. O nível é ajustável de **1** (demora pouco tempo) a **9** (demora muito tempo) com as teclas **UP/DN** do microfone. **d_t** corresponde à temporização (**Delay Time**).

Depois que os ajustes forem feitos, pressione durante 1 segundo a tecla **VOX (13)** para sair do modo de **Ajuste do Vox**.

14) MEM ~F

Funções não operacionais no modelo JFK II A+ ASC.

15) NB / ANL ~ SCAN ~ M3

NB/ANL (pressão breve)

Noise blanker/ Automatic Noise Limiter. Esses filtros podem reduzir ruídos de fundo e alguma interferência em recepção. Uma pressão ativa os filtros na seguinte ordem:

NB off, **ANL** off → **NB** off, **ANL** on → **NB** on, **ANL** off → **NB** on, **ANL** on.
Se muestran "**NB**" e/ou "**ANL**" según la configuración escogida.
No modo **FM**, só o filtro **NB** é activo.

SCAN (pressão longa)

Pressione durante um segundo a tecla **SCAN** para ativar o **SCAN** (investigação dos canais) de modo crescente. "**SCAN**" é exibido. O scan pára assim que um canal está ativo. O scan inicia automaticamente 3 segundos após o fim da transmissão ou se nenhum botão for ativado durante este tempo.

Ordem crescente dos canais, gire o seletor de canais para direita ou o botão **UP** do microfone. Ordem decrescente, gire o seletor de canais para esquerda ou o botão **DN** do microfone.

Uma nova pressão longa sobre a tecla **SCAN** desativa a função.

M2

Função não operacional no modelo JFK II A+ ASC.

16) TOMADA MICROFONE 6 PINOS

A tomada encontra-se no painel frontal do transceptor e facilita o ajuste mais fácil do equipamento no painel do seu veículo.

Veja Diagrama de Cabeamento página 42.

23) PTT "Push To Talk"

Pressione a tecla de transmissão, para transmitir uma mensagem, **TX** é exibido, solte para ouvir uma comunicação de entrada.

BEEP DE TECLADO (pressão longa)

Para ativar a função **BEEP**, ligar o aparelho pressionando o botão **UP** do microfone. O ícone "**BP**" é exibida. Para desativar a função, o aparelho pressionando o botão **DN** do microfone. O ícone "**BP**" desaparece.

A) ALIMENTAÇÃO (13,8 V)

B) CONECTOR DE ANTENA (SO-239)

C) JACK PARA OPCIONAL VOX MIKE (Ø 2,5 mm)

D) JACK PARA OPCIONAL PA (Public Address) (Ø 3.5 mm)

E) ALTO-FALANTE EXTERNO JACK (8 Ω , Ø 3,5 mm)

C) CARACTERÍSTICAS TÉCNICAS

1) GERAL

- Modos de modulação : AM / FM
- Faixas de frequência : de 28,315 MHz a 28,755 MHz
- Antena de impedância : 50 ohms
- Fonte de alimentação : 13,8 V
- Dimensões (em mm) : 180 (L) x 188 (P) x 51 (A)
- Peso : 1,5 kg
- Acessórios fornecidos : Microfone UP/DOWN, como o apoio, suporte de montagem , parafusos e cabo de alimentação fundida .

2) TRANSMISSÃO

- Subsídio de frequência : + / - 300 Hz
- Potência da portadora : 15 W AM (50 W PEP) / 15 W FM
- Interferência Transmissão : inferior a 4 nW (- 54 dBm)
- Resposta de áudio : 300 Hz a 3 KHz em AM / FM
- Emissão de poder no canal adjacente : inferior a 20 µW
- Sensibilidade microfone : 3,0 mV
- Drain : 5 A (com modulação)
- Modulada distorção sinal : 2%

3) RECEPÇÃO

- Maxi . sensibilidade em 20 dB SINAD : 0,7 mV - 110 dBm (AM)
0,35 µV - 116 dBm (FM)
- Resposta de frequência : 300 Hz a 3 kHz em AM / FM
- Seletividade de canal adjacente : 60 dB
- Potência máx. de áudio : 3 W
- Sensibilidade do Squelch : mínimo 0,2 mV - 120 dBm
máximo 1 mV - 47 dBm
- Taxa de rejeição de imagem de frequência : 60 dB
- Rej frequência intermediária : 70 dB
- Drain : 0,4 A nominal / 0,6A máximo

D) RESOLUÇÃO DE PROBLEMAS

1) O SEU TRANSCCEPTOR DE RÁDIO NÃO TRANSMITE OU SUA TRANSMISSÃO É DE MÁ QUALIDADE

Verifique se a antena está corretamente ligada e se o SWR está ajustado.

Verifique se o microfone está conectado corretamente.

2) SEU TRANSCCEPTOR DE RÁDIO NÃO RECEBE OU RECEPÇÃO É FRACA

Verifique se o nível do silenciador é ajustado adequadamente.

Verifique se o volume está ajustado para um nível confortável .

Verifique se a antena está conectada corretamente e que os cabos de aço é ajustado adequadamente.

Verifique se você está usando o mesmo modo de modulação como o seu correspondente .

3) SEU TRANSCCEPTOR NÃO ACENDE

Verifique a fonte de alimentação.

Verifique a fiação de conexão.

Verifique o fusível.

E) COMO TRANSMITIR OU RECEBER UMA MENSAGEM

Agora que você leu o manual, certifique-se a seu aparelho esteja pronto para funcionar (antena conectada).

Escolher o canal.

Escolha o modo (AM, FM) tendo em conta que deve ser a mesma que a do chamador.

Você pode pressionar o pedal do seu microfone, e enviar a mensagem de "atenção às emissoras, teste de emissão", que verifica a clareza e poder de seu sinal e deve provocar uma resposta como "alta e clara" .

Solte o pedal e esperar por uma resposta. Se você usar o canal de chamada, e a comunicação é estabelecida, deve escolher um outro canal disponível para não obstruir o canal de chamada.

F) GLOSSÁRIO

ALFABETO FONÉTICO INTERNACIONAL

A Alpha	H Hotel	O Oscar	V Victor
B Bravo	I India	P Papa	W Whiskey
C Charlie	J Juliett	Q Quebec	X X-ray
D Delta	K Kilo	R Romeo	Y Yankee
E Echo	L Lima	S Sierra	Z Zulu
F Foxtrott	M Mike	T Tango	
G Golf	N November	U Uniform	

CONDIÇÕES GERAIS DE GARANTIA

Este aparelho tem uma garantia de **2 anos** para peças e mão de obra no país de compra, contra qualquer defeito de fabricação reconhecido pelo nosso departamento técnico. O laboratório de SPV PRESIDENT reserva-se o direito de não aplicar a garantia em caso de dano que tenha sido causado por uma antena não distribuída pela marca PRESIDENT. Uma garantia estendida de **3 anos** será aplicada para a compra simultânea de um aparelho e de uma antena da marca PRESIDENT, aumentando a garantia total de **5 anos**. Para validar sua garantia, efetue a inscrição on-line no site PRESIDENT ELECTRONICS, www.president-electronics.us/warranty-registration no prazo de 30 dias a partir da data da compra. Você também pode acessar a página de registro de garantia usando seu smartphone para ler (o aplicativo deve estar disponível) o código QR. Você receberá um e-mail de confirmação da inscrição de garantia. Recomendamos que você guarde uma cópia deste e-mail.

Qualquer reparo sob garantia será sem carga e os custos de entrega de retorno serão suportados por PRESIDENT. A prova de compra deve imperativamente estar junta em caso do retorno de um produto a ser reparado. As datas da inscrição e da prova de compra devem corresponder.

No caso em que a intervenção não é coberta pela garantia serão faturados as peças, a mão de obra e os custos de transporte.

Nenhuma peça de reposição será enviada, pelo nosso departamento técnico, com base na garantia.

Não prossiga com a instalação do dispositivo sem ler o manual do usuário.

A garantia é válida somente no país de compra.

Esta garantia não cobre:

- Os danos provocados por acidentes tais como choques, quedas, incêndios ou embalagens defeituosas, negligência, ou manutenção inadequada.
- O desgaste normal de um produto (transistores de potência, microfones, luzes, fusíveis), o uso indevido (incluindo mas não se limitando à antena mal ajustada, SWR [relação de ondas estacionárias] excessiva ou muito grande, [superior a 2], inversão de polaridade, ligações erradas, sobretensão, etc.), a não observância das características de instalação e uso.
- A garantia não pode ser estendida devido à indisponibilidade do aparelho enquanto

ele está sendo reparado pelo SPV PRESIDENT, nem por a troca de um ou mais componentes ou peças de reposição.

- Os reparos e/ou modificações feitas por terceiros sem a aprovação da empresa PRESIDENT.

Se você observar falhas de funcionamento:

- Verifique a fonte de alimentação do aparelho e a qualidade do fusível.
- Verifique se a antena, o microfone estão corretamente conectados.
- Verifique se o nível do silenciador squelch está devidamente ajustado; a configuração programada é a correta.
- Verifique os fios dos vários conectores, tomadas de antena, microfone e fonte de alimentação.
- Em caso de um real mau funcionamento, consulte primeiro seu provedor. Ele decidirá que medidas devem ser tomadas.

No caso de uma intervenção não coberta pela garantia ou fora do prazo, você ainda terá possibilidade de fazer inspecionar ou reparar o seu aparelho. Uma estimativa será estabelecida antes de qualquer reparo.

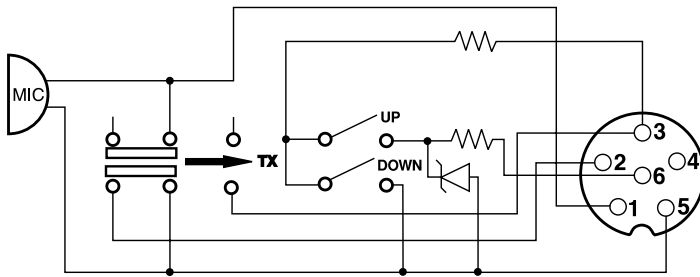
Você confiou na experiência e na qualidade da PRESIDENT e nós apreciamos isso. Para estar completamente satisfeito com a sua compra, por favor leia atentamente este manual.

Gerente Técnico
e
Gerente da Qualidade

Warranty Registration



6-PIN MICROPHONE PLUG
PRISE MICRO 6 BROCHES
CONEXIÓN DEL MICRO 6 PINS
TOMADA MICROFONE 6 PINOS



1	Modulation	Modulation	Modulación	Modulação
2	RX	RX	RX	RX
3	TX - UP/DOWN	TX - UP/DOWN	TX - UP/DOWN	TX - UP/DOWN
4	-	-	-	-
5	Ground	Masse	Masa	Terra
6	Power Supply	Alimentation	Alimentación	Alimentação

Group
PRESIDENT
ELECTRONICS USA



HEAD OFFICE/SIÈGE SOCIAL: USA - 1007 Collier Center Way, Naples, Florida 34110
Web: <http://www.president-electronics.us> • Phone: +1 239.302.3100
Email: info@president-electronics.us

PRINTED IN VIETNAM

U01UT376ZZZ

1855/04-17

PRESIDENT