

PRESIDENT

**JOHNNY III ASC
HARRY III ASC**



SERVICE MANUAL

-TECNNICAL CHARACTERITICS

JOHNNY III ASC (config: E EU PL)
HARRY III ASC (config: E d EU EC U PL)

1-GENERAL:

-Multiconfiguration(E,d,EU,EC,U,PL)

- E ⇒ 40 channels AM/FM 4W (from 26,965Mhz to 27,405Mhz)
- d ⇒ 80 channels FM 4W (from 26,565Mhz to 27,405Mhz)
40 channels AM 1W (from 26,965Mhz to 27,405Mhz)
- EU ⇒ 40 channels FM 4W/AM 1W (from 26,965Mhz to 27,405Mhz)
- EC ⇒ 40 channels FM 4W (from 26,965Mhz to 27,405Mhz)
- U ⇒ 40 channels CEPT FM 4W (from 26,965Mhz to 27,405Mhz)
40 channels FM UK 4W (from 27,60125Mhz to 27,99125Mhz)
- PL ⇒ 40 channels AM/FM 4W (from 26,960Mhz to 27,400Mhz)

-Channel step

-10KHz

-Class of emission

-AM(A3E)/FM(F3E)

-Power supply

-13,2V (from10,8V to 15,6V)

-Antenna impedance

-50Ω

-Dimensions(in mm)

-125(L)x45(H)x150(D)

-Weight

-0,7Kg

2-TRANSMISSION:

-Frequency allowance

-±200Hz

-Transmission interference

-Inferior to 4nW(-54dBm)

-Audio frequency response

-From 300Hz to 3kHz in AM/FM

-Emitted power in the adjacent channel

-Inferior to 20μW

-Microphone sensitivity

-Inferior to 10mV

-Current drain

-1,7A(in transmission mode with modulation)

-Modulated signal distortion

-Inferior to 2%

3-RECEPTION:

-Maximum sensitivity at 20dB sinad

-0,5 μ V(-113dBm) AM/FM

-Audio frequency response

-From 300Hz to 3kHz in AM/FM

-Adjacent channel selectivity

-Superior to 60dB

-Frequency image rejection

-Superior to 60dB

-Intermodulation response

-Superior to 54dB

-Maximum audio power

-3W

-Squelch sensitivity

-Threshold 0,2 μ V(-120dBm)/Tight 1mV(-47dBm)

-Current drain

-300mA nominal/750mA maximum

ALIGNMENT PROCEDURE

(JOHNNY III ASC/ HARRY III ASC)

* VCO/PLL PORTION

- Alignment procedure
 - Test points
 - Frequencies chart

* TRANSMITTER

- Alignment procedure
 - Test points

* RECEIVER

- Alignment procedure
 - Test points

Test equipment required

Frequency counter 200 Mhz	HF Generator
DC Voltmeter	BF Voltmeter
Distortimeter	HF Voltmeter
Wattmeter - Dummy load	Oscilloscope
FM linear detector	Load 8 Ω
AF generator	Sinad meter

Conditions of Measurements on HF Generator

Reception

AM mode: Level - 107 dBm Frequency 1 KHz with 60% of modulation.

FM mode: Level - 107 dBm Frequency 1 KHz with 1,2KHz of deviation.

Transmission

Frequency 1 KHz 30mV.

ALIGNMENT VCO/PLL

1 - Alignment procedure(13,2V;configuration"EU,E,d")

STEP	CONDITION	ADJUSTMENT	REMARKS OF ADJUSTMENT
1	AM/FM(EU,E) RX mode Channel 20	CT301	Connect a frequency counter to TP200,and adjust CT301 to reach 37,900MHz.
2	AM/FM(EU,E) TX/RX mode Channel 40		Connect a voltmeter to TP 103,and check: Tx Channel 40=3V±0,1V Rx Channel 40=2,8V±0,1V
3	AM/FM(EU,E) TX/RX mode Channel 1		Connect a voltmeter to TP 103,and check: Tx Channel 1=2,6V±0,1V Rx Channel 1=2,4V±0,1V
4	AM/FM(EU,E) TX/RX mode Channel 1 to 40 or 1 to 80(d)		Connect a frequency counter to TP200,and check frequencies.

- FREQUENCY LIST (EU,E,EC)

CH	Channels Frequencies (MHz)	VCO Frequencies (MHz)
1	26,965	37,660
2	26,975	37,670
3	26,985	37,680
4	27,005	37,700
5	27,015	37,710
6	27,025	37,720
7	27,035	37,730
8	27,055	37,750
9	27,065	37,760
10	27,075	37,770
11	27,085	37,780
12	27,105	37,800
13	27,115	37,810
14	27,125	37,820
15	27,135	37,830
16	27,155	37,850
17	27,165	37,860
18	27,175	37,870
19	27,185	37,880
20	27,205	37,900
21	27,215	37,910
22	27,225	37,930
23	27,255	37,950
24	27,235	37,930
25	27,245	37,940
26	27,265	37,960
27	27,275	37,970
28	27,285	37,980
29	27,295	37,990
30	27,305	38,000
31	27,315	38,010
32	27,325	38,020
33	27,335	38,030
34	27,345	38,040
35	27,355	38,050
36	27,365	38,060
37	27,375	38,070
38	27,385	38,080
39	27,395	38,090
40	27,405	38,100

- FREQUENCY LIST (PL)

CH	Channels Frequencies (MHz)	VCO Frequencies (MHz)
1	26,960	37,655
2	26,970	37,665
3	26,980	37,675
4	27,000	37,695
5	27,010	37,705
6	27,020	37,715
7	27,030	37,725
8	27,050	37,745
9	27,060	37,755
10	27,070	37,765
11	27,080	37,775
12	27,100	37,795
13	27,110	37,805
14	27,120	37,815
15	27,130	37,825
16	27,150	37,845
17	27,160	37,855
18	27,170	37,865
19	27,180	37,875
20	27,200	37,895
21	27,210	37,905
22	27,220	37,915
23	27,250	37,945
24	27,230	37,925
25	27,240	37,935
26	27,260	37,955
27	27,270	37,965
28	27,280	37,975
29	27,290	37,985
30	27,300	37,995
31	27,310	38,005
32	27,320	38,015
33	27,330	38,025
34	27,340	38,035
35	27,350	38,045
36	27,360	38,055
37	27,370	38,065
38	27,380	38,075
39	27,390	38,085
40	27,400	38,095

- FREQUENCY LIST (U)

CH CEPT	Channels Frequencies (MHz)	VCO Frequencies (MHz)
1	26,965	37,660
2	26,975	37,670
3	26,985	37,680
4	27,005	37,700
5	27,015	37,710
6	27,025	37,720
7	27,035	37,730
8	27,055	37,750
9	27,065	37,760
10	27,075	37,770
11	27,085	37,780
12	27,105	37,800
13	27,115	37,810
14	27,125	37,820
15	27,135	37,830
16	27,155	37,850
17	27,165	37,860
18	27,175	37,870
19	27,185	37,880
20	27,205	37,900
21	27,215	37,910
22	27,225	37,930
23	27,255	37,950
24	27,235	37,930
25	27,245	37,940
26	27,265	37,960
27	27,275	37,970
28	27,285	37,980
29	27,295	37,990
30	27,305	38,000
31	27,315	38,010
32	27,325	38,020
33	27,335	38,030
34	27,345	38,040
35	27,355	38,050
36	27,365	38,060
37	27,375	38,070
38	27,385	38,080
39	27,395	38,090
40	27,405	38,100

- FREQUENCY LIST (U)

CH UK	Channels Frequencies (MHz)	VCO Frequencies (MHz)
1	27,60125	38,29625
2	27,61125	38,30625
3	27,62125	38,31625
4	27,63125	38,32625
5	27,64125	38,33625
6	27,65125	38,34625
7	27,66125	38,35625
8	27,67125	38,36625
9	27,68125	38,37625
10	27,69125	38,38625
11	27,70125	38,39625
12	27,71125	38,40625
13	27,72125	38,41625
14	27,73125	38,42625
15	27,74125	38,43625
16	27,75125	38,44625
17	27,76125	38,45625
18	27,77125	38,46625
19	27,78125	38,47625
20	27,79125	38,48625
21	27,80125	38,49625
22	27,81125	38,50625
23	27,82125	38,51625
24	27,83125	38,52625
25	27,84125	38,53625
26	27,85125	38,54625
27	27,86125	38,55625
28	27,87125	38,56625
29	27,88125	38,57625
30	27,89125	38,58625
31	27,90125	38,59625
32	27,91125	38,60625
33	27,92125	38,61625
34	27,93125	38,62625
35	27,94125	38,63625
36	27,95125	38,64625
37	27,96125	38,65625
38	27,97125	38,66625
39	27,98125	38,67625
40	27,99125	38,68625

- FREQUENCY LIST (d)

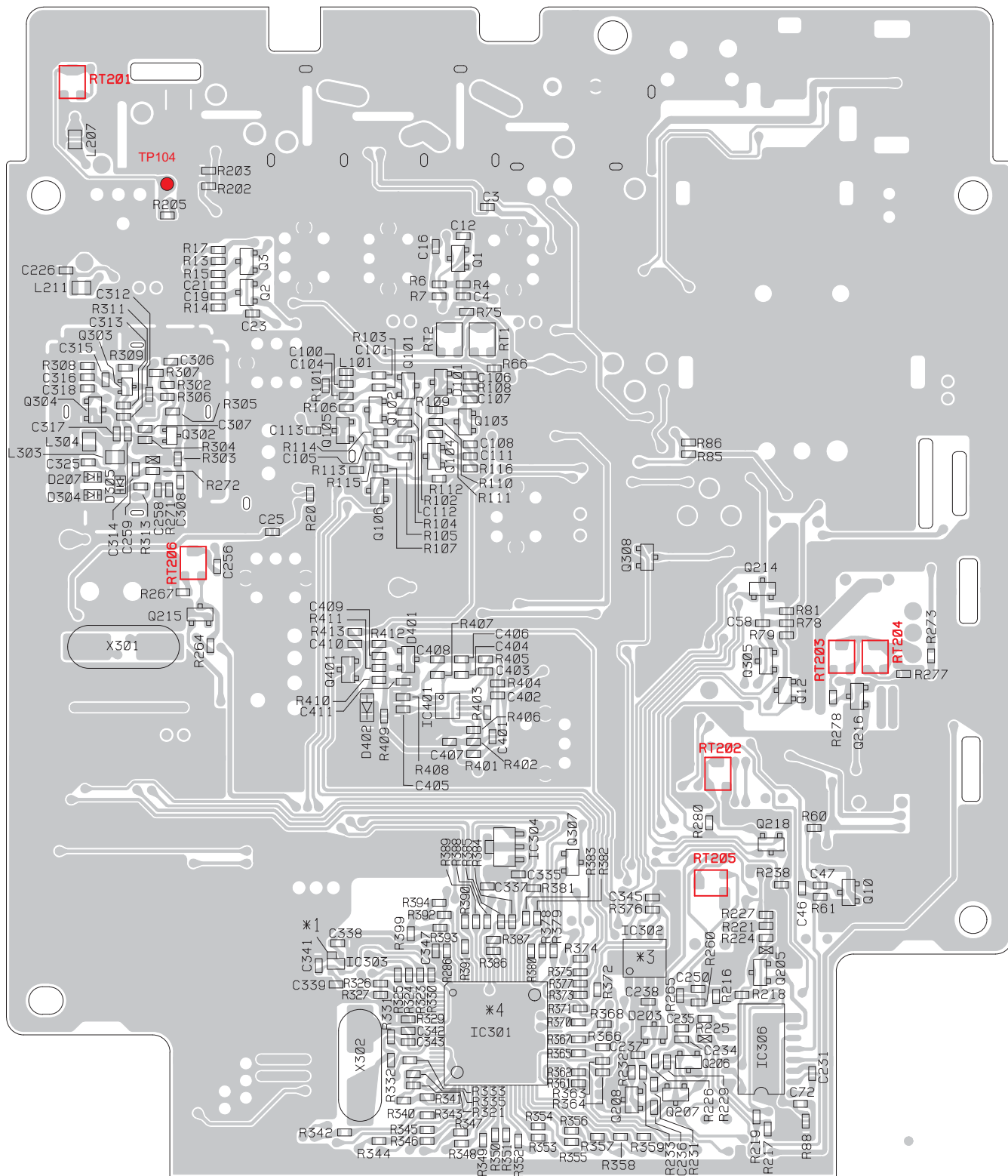
CH	Channels	VCO	CH	Channels	VCO
D	Frequencies (MHz)	Frequencies (MHz)	D	Frequencies (MHz)	Frequencies (MHz)
1	26,965	37,660	41	26,565	37,260
2	26,975	37,670	42	26,575	37,270
3	26,985	37,680	43	26,585	37,280
4	27,005	37,70	44	26,595	37,290
5	27,015	37,710	45	26,605	37,300
6	27,025	37,720	46	26,615	37,310
7	27,035	37,730	47	26,625	37,320
8	27,055	37,750	48	26,635	37,330
9	27,065	37,760	49	26,645	37,340
10	27,075	37,770	50	26,655	37,350
11	27,085	37,780	51	26,665	37,360
12	27,105	37,800	52	26,675	37,370
13	27,115	37,810	53	26,685	37,380
14	27,125	37,820	54	26,695	37,390
15	27,135	37,830	55	26,705	37,400
16	27,155	37,850	56	26,715	37,410
17	27,165	37,860	57	26,725	37,420
18	27,175	37,870	58	26,735	37,430
19	27,185	37,880	59	26,745	37,440
20	27,205	37,900	60	26,755	37,450
21	27,215	37,910	61	26,765	37,460
22	27,225	37,930	62	26,775	37,470
23	27,255	37,950	63	26,785	37,480
24	27,235	37,930	64	26,795	37,490
25	27,245	37,940	65	26,805	37,500
26	27,265	37,960	66	26,815	37,510
27	27,275	37,970	67	26,825	37,520
28	27,285	37,980	68	26,835	37,530
29	27,295	37,990	69	26,845	37,540
30	27,305	38,000	70	26,855	37,550
31	27,315	38,010	71	26,865	37,560
32	27,325	38,020	72	26,875	37,570
33	27,335	38,030	73	26,885	37,580
34	27,345	38,040	74	26,895	37,590
35	27,355	38,050	75	26,905	37,600
36	27,365	38,060	76	26,915	37,610
37	27,375	38,070	77	26,925	37,620
38	27,385	38,080	78	26,935	37,630
39	27,395	38,090	79	26,945	37,640
40	27,405	38,100	80	26,955	37,650

ALIGNMENT TRANSMITTER

1 - Alignment procedure(13,2V;configuration'EU,E')

STEP	CONDITION	ADJUSTMENT	REMARKS OF ADJUSTMENT
1	FM/AM(E)TX Channel 20	RT201	Connect a wattmeter to jack antenna, adjust RT201 to reach $5V \pm 0,2V$ on the DC voltmeter connected to TP104.
2	AM(EU)TX Channel 20	RT203	Connect a wattmeter to jack antenna, adjust RT203 to reach 1W on the wattmeter.
3	AM(E)TX Channel 20	RT204	Connect a wattmeter to jack antenna, adjust RT204 to reach 4W on the wattmeter.
4	Same as 2		Connect a dummy load to jack antenna. Check that the "RF meter" display S1
5	Same as 3		Connect a dummy load to jack antenna. Check that the "RF meter" display S9
6	FM(EU)TX Mod 30 mV 1 KHz CH 20	RT206	Adjust RT206 to reach $\pm 1,2KHz$ of deviation.
7	AM(E)TX Mod 30 mV 1 KHz CH 20	RT202/RT205	First: Adjust RT202 and RT205 to the maximum of modulation, then adjust RT205 to reach $\pm 90\%$ of modulation, then adjust RT202 to reach $\pm 85\%$ of modulation.

ALIGNMENT TRANSMITTER

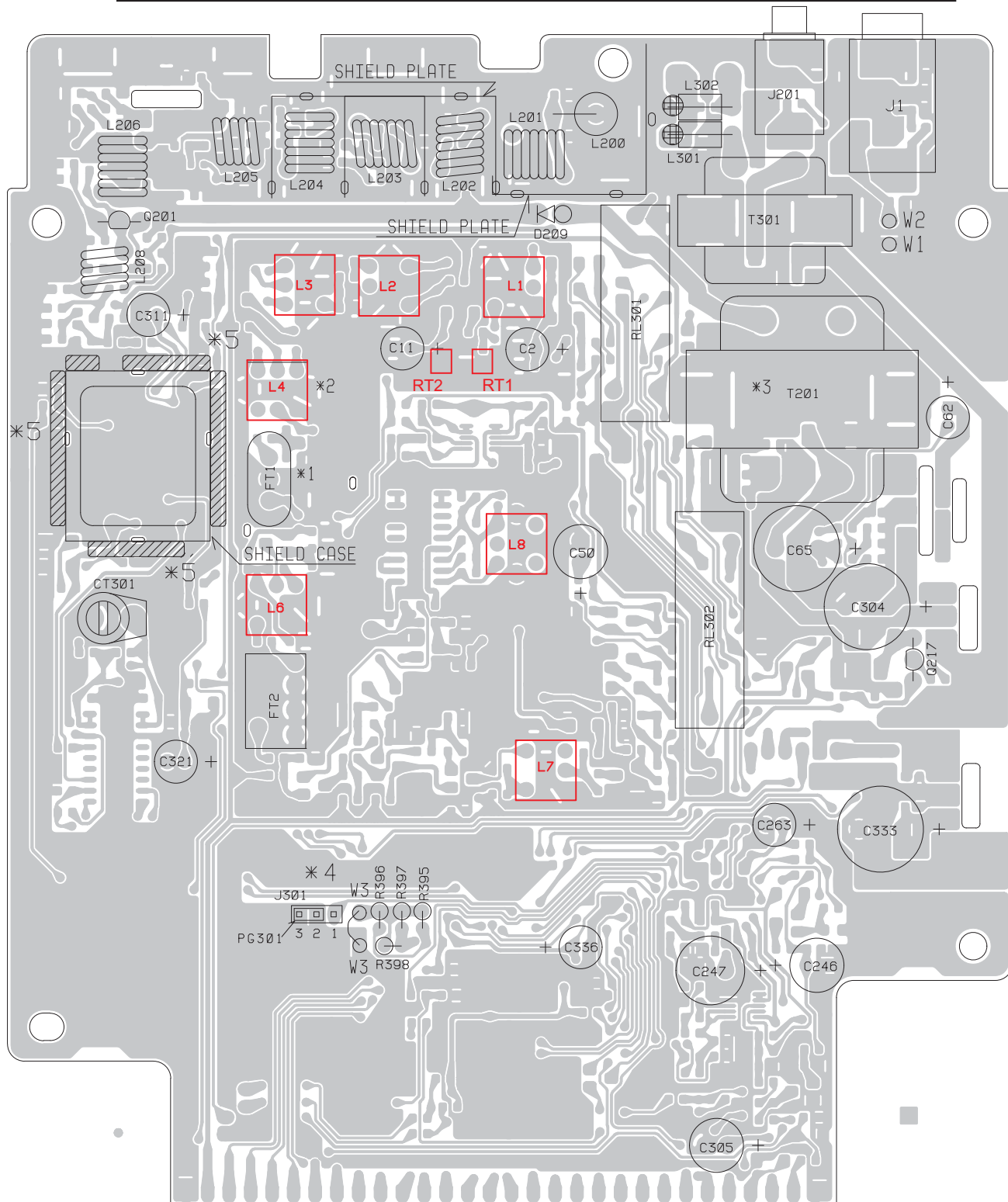


ALIGNMENT RECEIVER

1 - Alignment procedure(13,2V;configuration"EU,E")

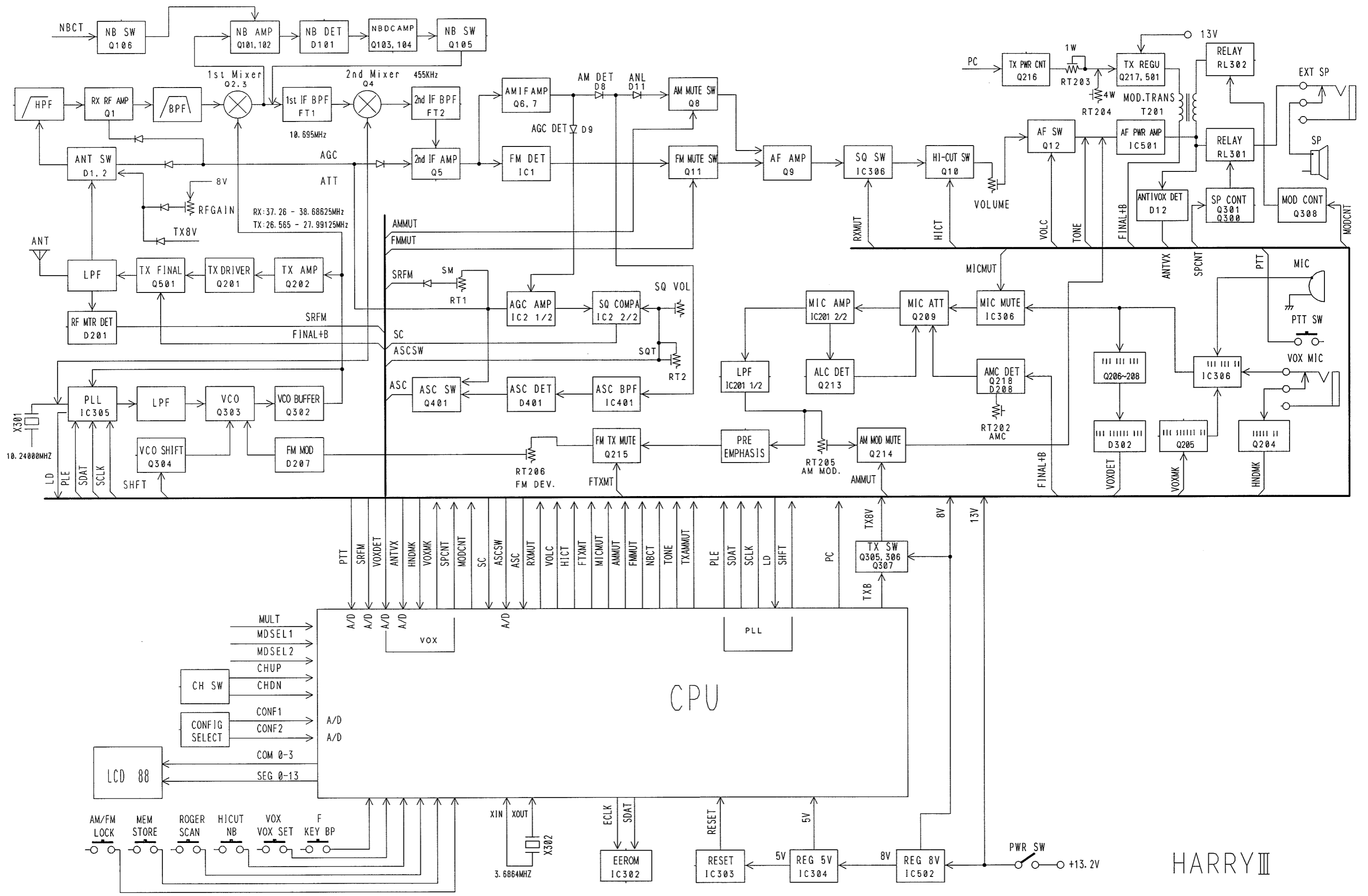
STEP	CONDITION	ADJUSTMENT	REMARKS OF ADJUSTMENT
1	AM(EU,E) Channel 20 Middle volume level. No squelch active	L1-L2-L3 L4-L6-L7	Connect HF generator to jack antenna adjusted at (-107dBm 1KHz 60%), connect sinad meter to jack EXT speaker and adjust coils for maximum sensitivity(≥ 20 dB sinad).
2	FM(EU,E) Channel 20 Middle volume level No squelch active	L 8	Connect HF generator to jack antenna adjusted at (-107dBm 1KHz 1,2KHz Dev),connect sinad meter to jack EXT speaker and adjust L8 for maximum sensitivity(≥ 20 dB sinad).
3	AM(EU,E) Channel 20 Middle volume level No squelch active	RT1(S-METER)	Connect HF generator to jack antenna adjusted at (-67dBm 1KHz 60%) and adjust RT1 so that the "S meter" display S9.
4	AM(EU,E) Channel 20 Middle volume level Squelch maximum clockwise	RT2(SQ)	Connect HF generator to jack antenna adjusted at (-47dBm 1KHz 60%) and adjust RT2 so that the signal is audible .
5	AM(EU,E) Channel 20 Middle volume level Squelch maximum counterclockwise (ASC)		Connect HF generator to jack antenna . Connect sinad meter to jack EXT speaker, adjust the ouput level of HF generator and check that the opening ASC sinad is $20\text{dB}\pm 2\text{dB}$.

ALIGNMENT RECEIVER



JOHNNY III ASC
HARRY III ASC

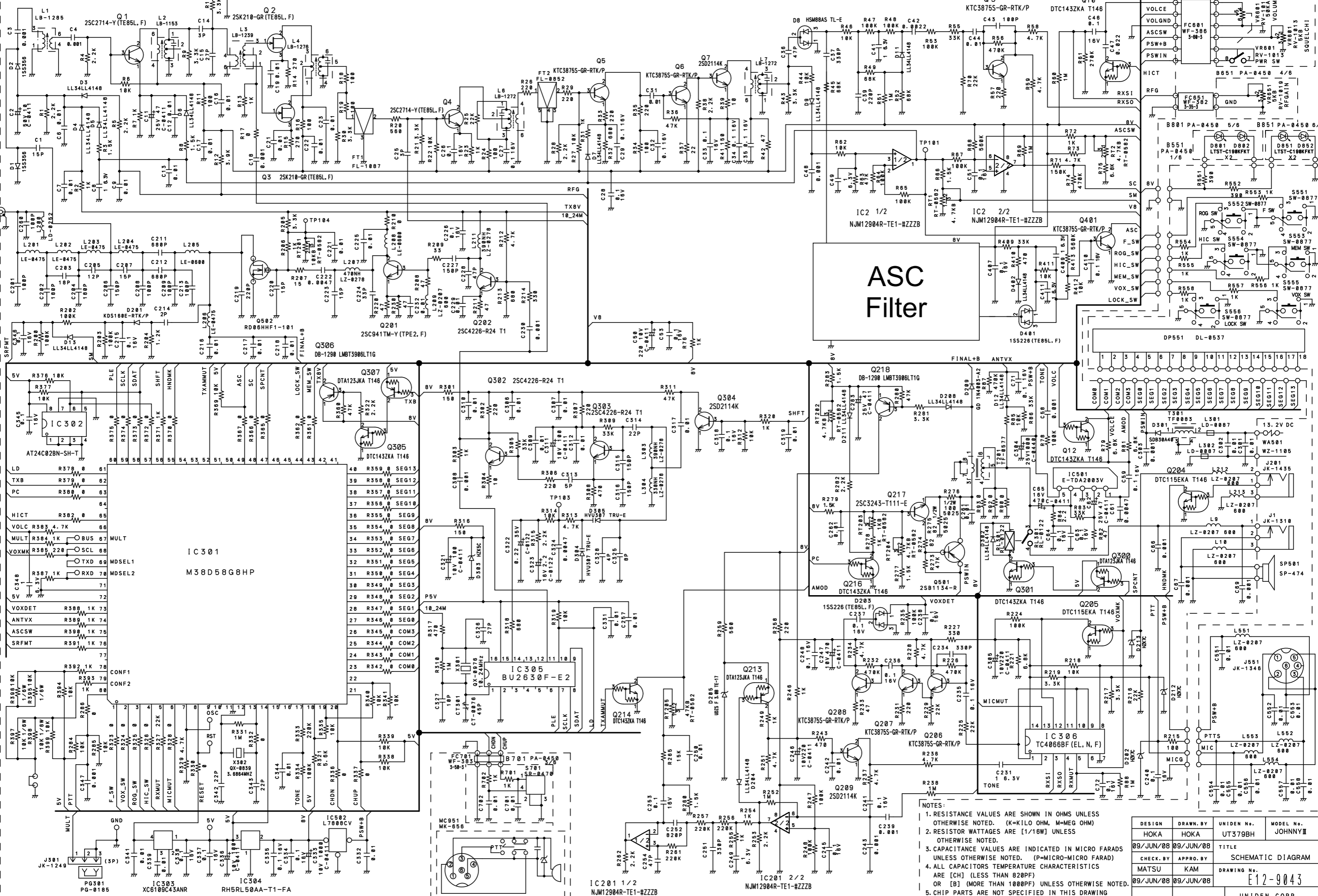
BLOC DIAGRAM



HARRY III

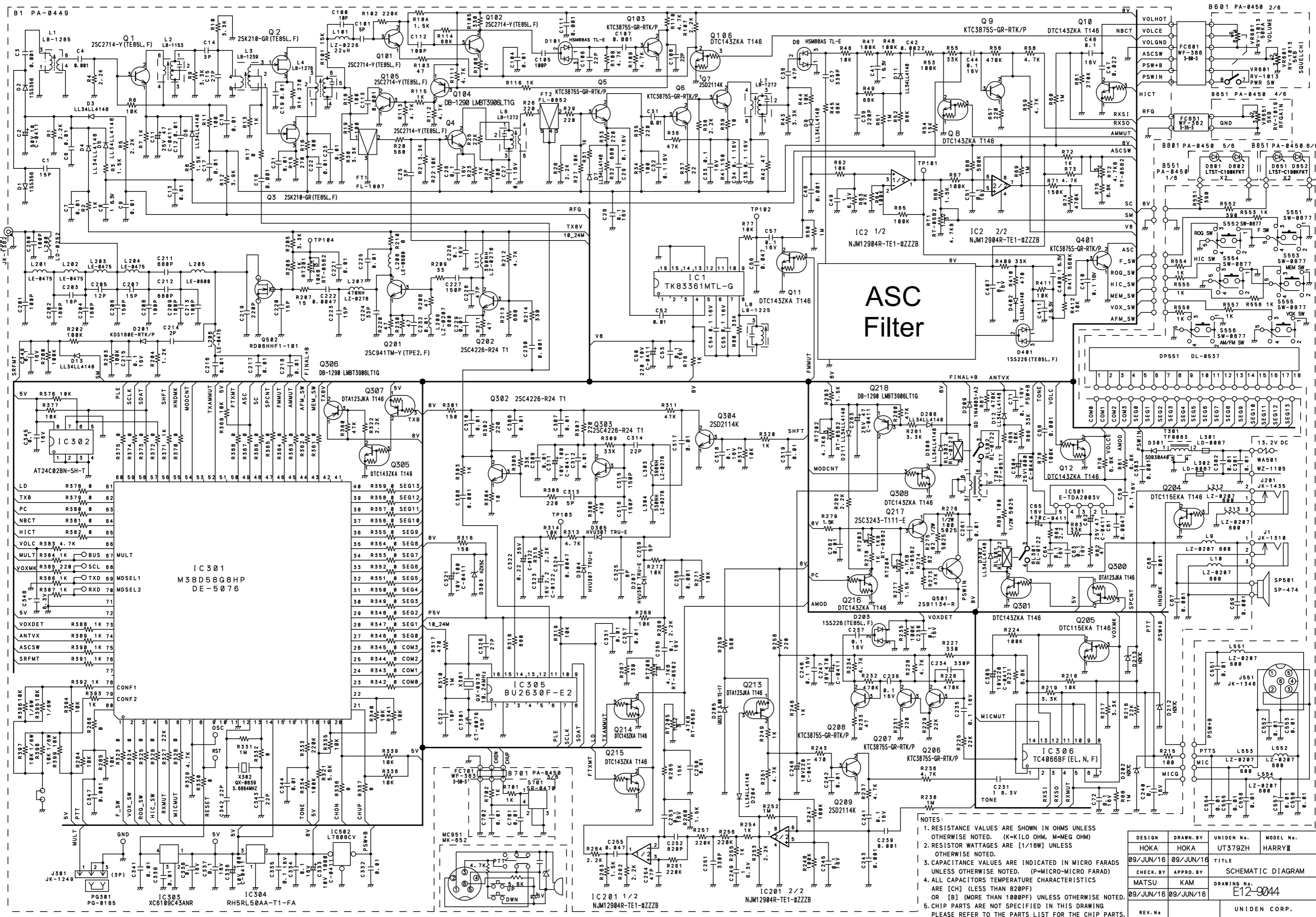
**JOHNNY III ASC
HARRY III ASC**

SCHEMATIC DIAGRAM



- NOTES:
1. RESISTANCE VALUES ARE SHOWN IN OHMS UNLESS OTHERWISE NOTED. (K=KILO OHM, M=MEG OHM)
 2. RESISTOR WATTAGES ARE [1/16W] UNLESS OTHERWISE NOTED.
 3. CAPACITANCE VALUES ARE INDICATED IN MICRO FARADS UNLESS OTHERWISE NOTED. (P=MICRO-MICRO FARAD)
 4. ALL CAPACITORS TEMPERATURE CHARACTERISTICS ARE [CH] (LESS THAN 820PF) OR [B] (MORE THAN 1000PF) UNLESS OTHERWISE NOTED.
 5. CHIP PARTS ARE NOT SPECIFIED IN THIS DRAWING PLEASE REFER TO THE PARTS LIST FOR THE CHIP PARTS.

DESIGN	DRAWN BY	UNIDEN No.	MODEL No.
HOKA	HOKA	UT379BH	JOHNNY III
09/JUN/08	09/JUN/08	TITLE	SCHEMATIC DIAGRAM
CHECK BY	APPRO. BY	DRAWING No.	
MATSU	KAM	E12-9043	
09/JUN/08	09/JUN/08	UNIDEN CORP.	



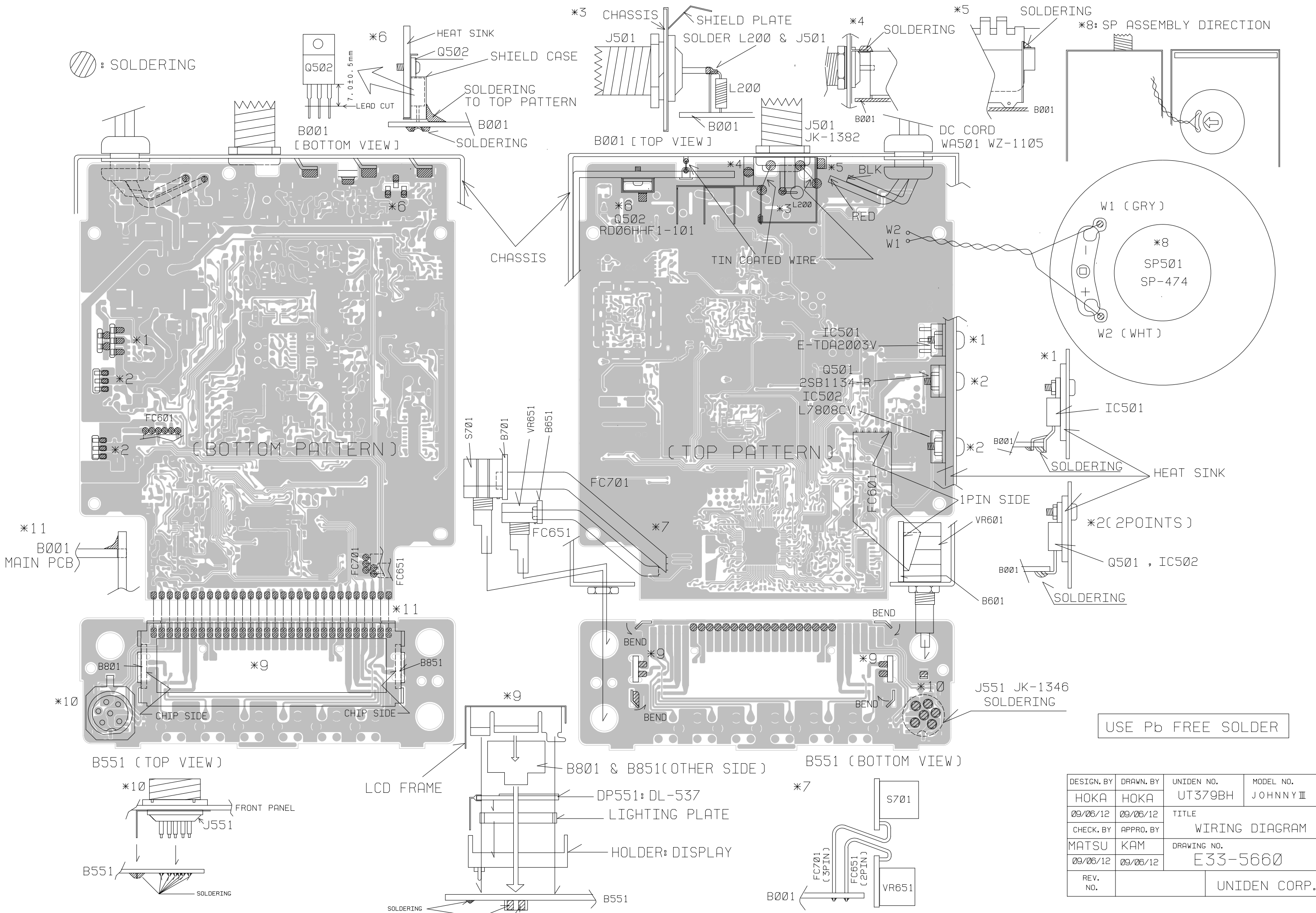
- NOTES:
1. RESISTANCE VALUES ARE SHOWN IN OHMS UNLESS OTHERWISE NOTED. (K=KILLO OHM, M=MEG OHM)
 2. RESISTOR WATTAGES ARE [1/16W] UNLESS OTHERWISE NOTED.
 3. CAPACITANCE VALUES ARE INDICATED IN MICRO FARADS UNLESS OTHERWISE NOTED. (P=MICRO-MICRO FARAD)
 4. ALL CAPACITORS TEMPERATURE CHARACTERISTICS ARE [CH] (LESS THAN 820PF) OR [B] (MORE THAN 1000PF) UNLESS OTHERWISE NOTED.
 5. CHIP PARTS ARE NOT SPECIFIED IN THIS DRAWING PLEASE REFER TO THE PARTS LIST FOR THE CHIP PARTS.

DESIGN	DRAWN BY	UNIDEN No.	MODEL No.
HOKA	HOKA	UT379ZK	HARRY II
09/JUN/16	09/JUN/16	TITLE	SCHEMATIC DIAGRAM
CHECK BY	APPROV BY	DRAWING No.	E12-9044
MATSU	KAM	09/JUN/16	
REV. No			UNIDEN CORP.

JOHNNY III ASC
HARRY III ASC

COMPONENT LAYOUT

☉ : SOLDERING

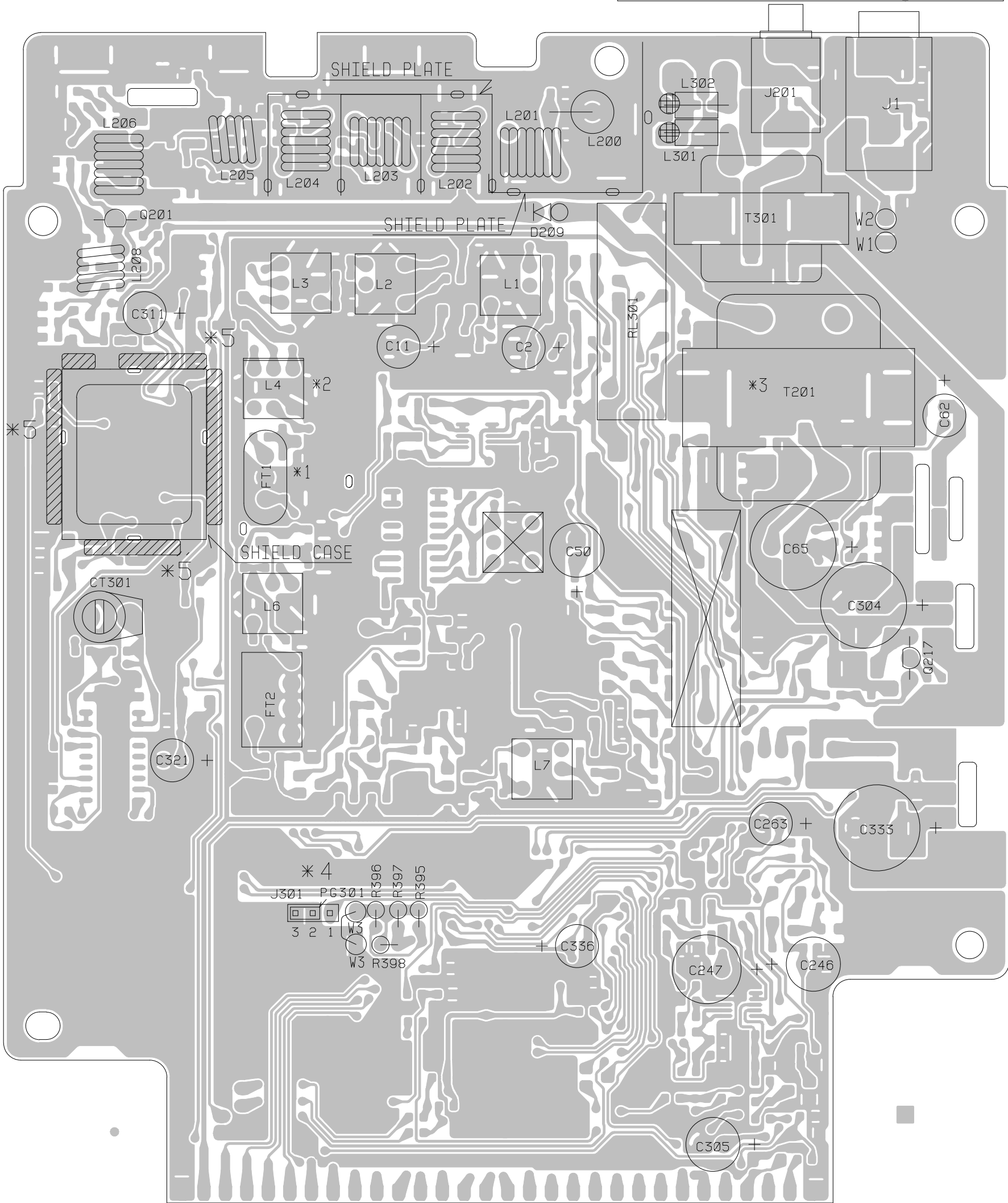


USE Pb FREE SOLDER

DESIGN. BY	DRAWN. BY	UNIDEN NO.	MODEL NO.
HOKA	HOKA	UT379BH	JOHNNY III
09/06/12	09/06/12	TITLE	
CHECK. BY	APPRO. BY	WIRING DIAGRAM	
MATSU	KAM	DRAWING NO.	
09/06/12	09/06/12	E33-5660	
REV. NO.		UNIDEN CORP.	

B1 PA-449AA (TOP VIEW)

USE Pb FREE SOLDER



*1 FT1 NO DIRECTION

*2 MARIKING SIDE

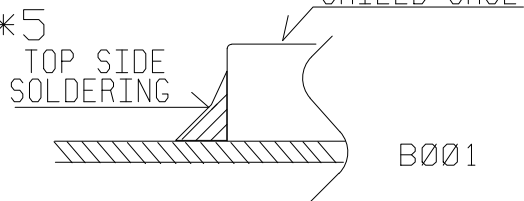
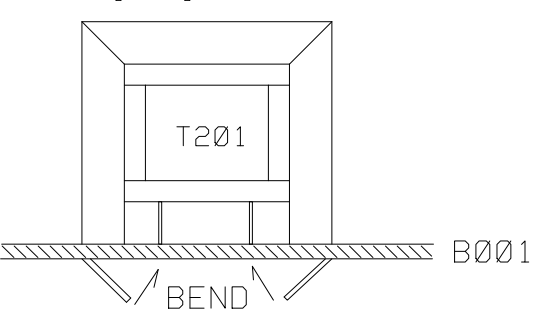
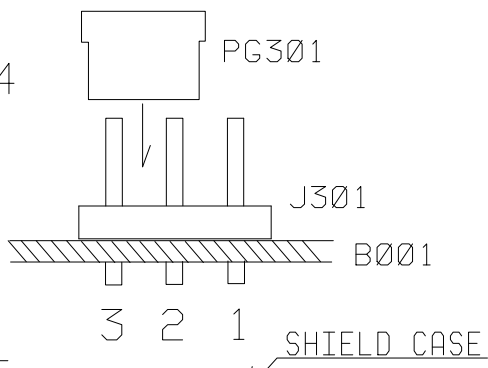
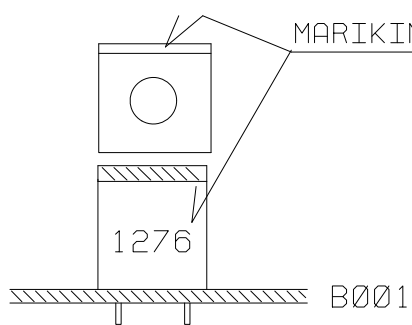
*4

: SOLDERING

: PUT YELLOW BOND LOCK(SC-121)
(ZABD7001005)

*3

*5



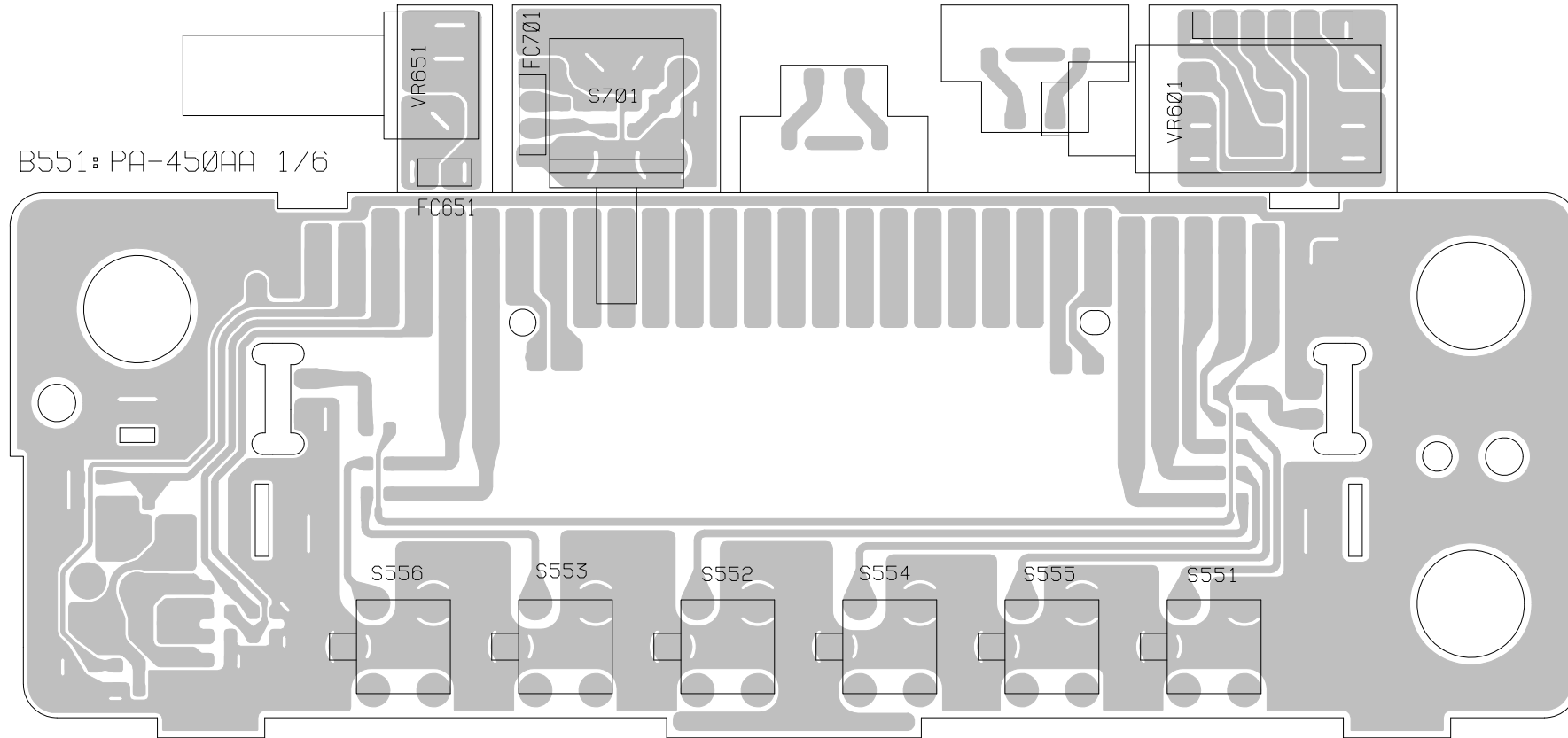
DESIGN. BY HOKA	DRAWN. BY HOKA	UNIDEN NO. UT379BH	MODEL NO. JOHNNY III
09/06/12	09/06/12	TITLE MAIN PCB	1/2
CHECK. BY MATSU	APPRO. BY KAM	PARTS ASS'Y TOP VIEW	
09/06/12	09/06/12	DRAWING NO. E23-29452	
REV. NO.		UNIDEN CORP.	

B651: PA-450AA 4/6 B701: PA-450AA 3/6

B601: PA-450AA 2/6

FC601

B551: PA-450AA 1/6



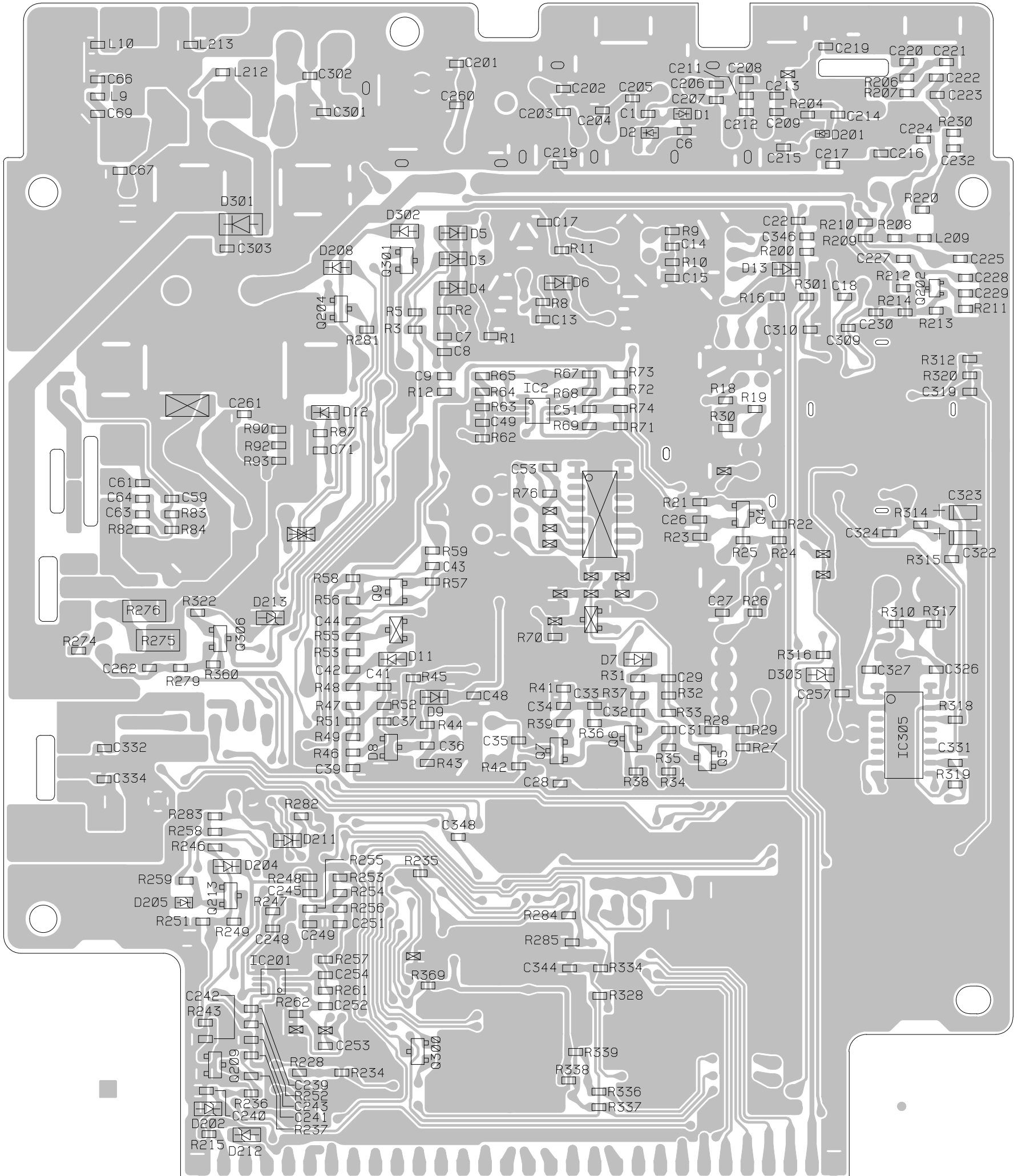
USE Pb FREE SOLDER

FC601	WF-386 3-80-3 6P
FC651	WF-382 3-35-3 2P
FC701	WF-383 3-50-3 3P
S551	SW-877 TC-1105
S552	SW-877 TC-1105
S553	SW-877 TC-1105
S554	SW-877 TC-1105
S555	SW-877 TC-1105

S556	SW-877 TC-1105
S701	SR-470
VR601	RV-1013 TP96D00N 33F B502, A503
VR651	RV-1019 TP96N00 25.5F B502

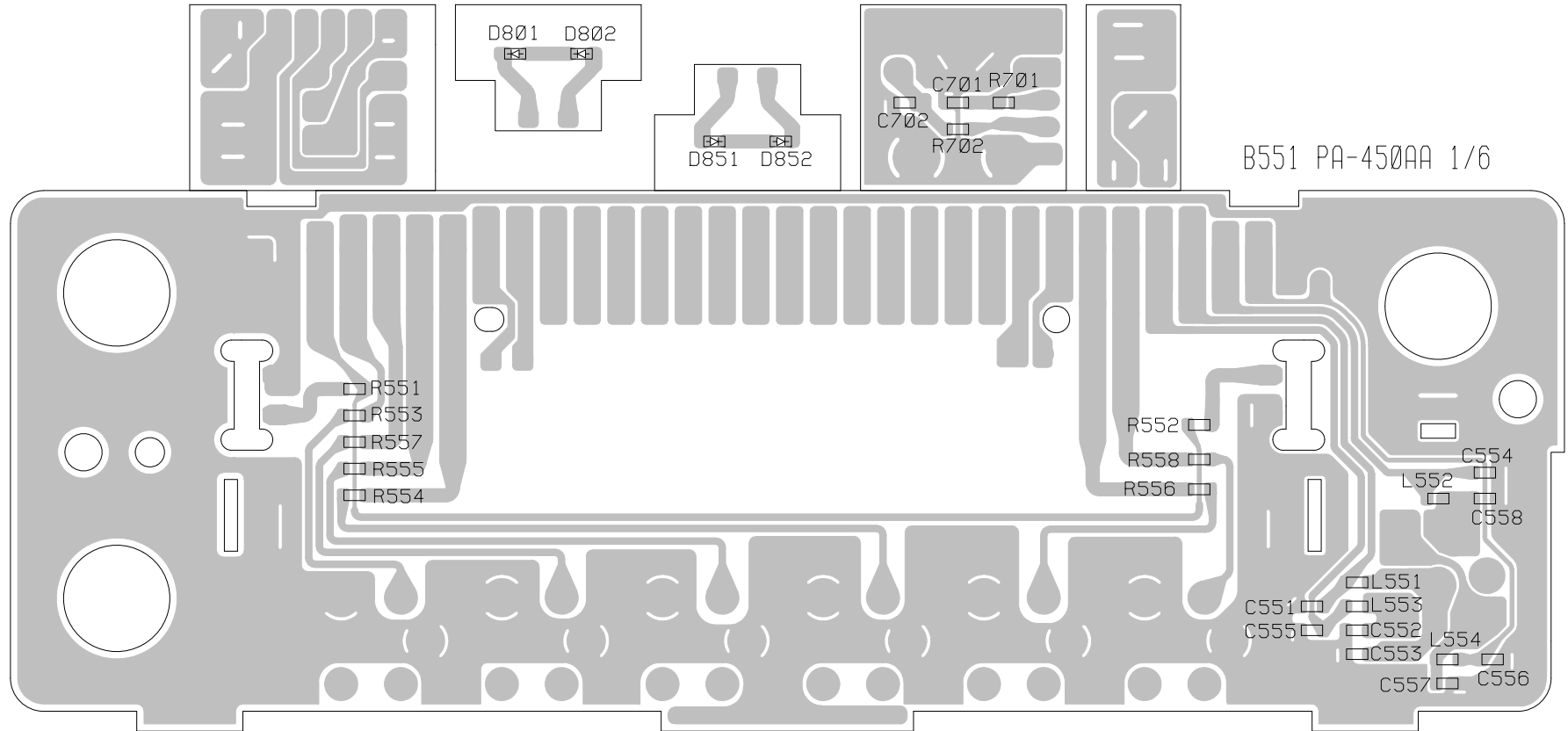
DESIGN. BY	DRAWN. BY	UNIDEN NO.	MODEL NO.
HOKA	HOKA	UT379BH	JOHNNY III
09/06/12	09/06/12	TITLE FRONT/VOLSQ/RF VOL/CH SW	
CHECK. BY	APPRO. BY	PARTS ASS'Y TOP VIEW	
MATSU	KAM	DRAWING NO.	
09/06/12	09/06/12	E24-29460	
REV. NO.		UNIDEN CORP.	

B1 PA-449AA (BOTTOM VIEW) USE Pb FREE SOLDER

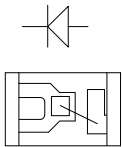


DESIGN. BY HOKA	DRAWN. BY HOKA	UNIDEN NO. UT379BH	MODEL NO. JOHNNY III
09/06/12	09/06/12	TITLE MAIN PCB	1/2
CHECK. BY MATSU	APPRO. BY KAM	CHIP LAYOUT BOTTOM VIEW	
09/06/12	09/06/12	DRAWING NO. E23-29457	
REV. NO.		UNIDEN CORP.	

B801 PA-450AA 5/6 B851 PA-450AA 6/6 B701 PA-450AA 3/6



*1 DIODE POLARITY



USE Pb FREE SOLDER

*1 D801, 802, 851, 852: MANUAL SOLDERING

C551	0.01	50V
C552	0.01	50V
C553	0.01	50V
C554	0.01	50V
C555	0.01	50V
C556	0.01	50V
C557	0.01	50V
C558	0.01	50V
C701	0.01	50V
C702	0.01	50V

*1 D801	LTST-C190KFKT
*1 D802	LTST-C190KFKT
*1 D851	LTST-C190KFKT
*1 D852	LTST-C190KFKT
L551	LZ-207 600
L552	LZ-207 600
L553	LZ-207 600
L554	LZ-207 600
R551	390

R552	390
R553	1K
R554	1K
R555	1K
R556	1K
R557	1K
R558	1K
R701	1K
R702	1K

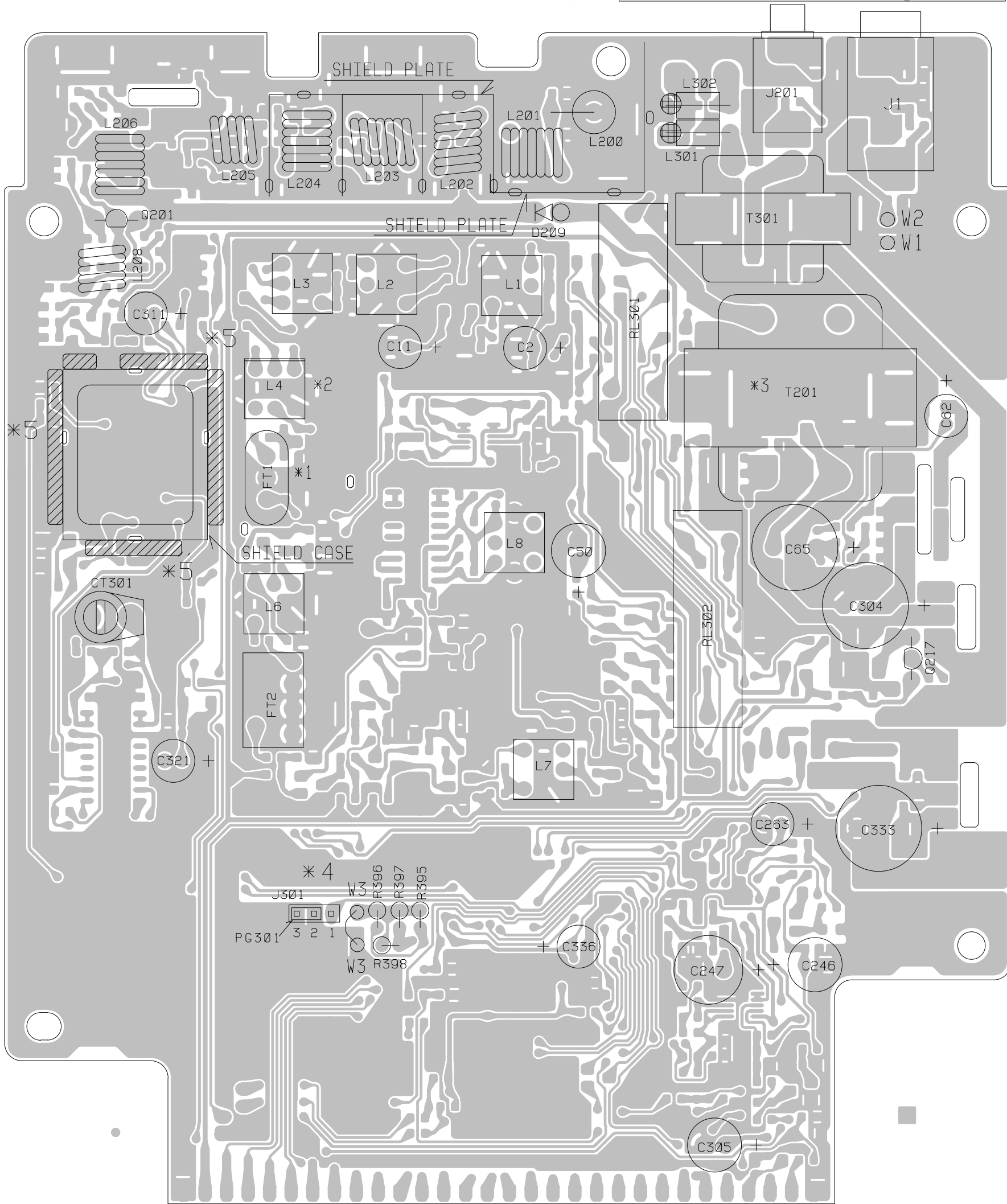
NOTES:

1. RESISTANCE VALUES ARE SHOWN IN OHMS UNLESS OTHERWISE NOTED. (K=KILO OHM, M=MEG OHM)
2. RESISTOR WATTAGES ARE 1/16W UNLESS OTHERWISE NOTED.
3. CAPACITANCE VALUES ARE INDICATED IN MICRO FARADS UNLESS OTHERWISE NOTED. (P=MICRO-MICRO FARAD)
4. ALL CAPACITORS TEMPERATURE CHARACTERISTICS ARE CH (LESS THAN 820PF) OR B (MORE THAN 1000PF) UNLESS OTHERWISE NOTED.

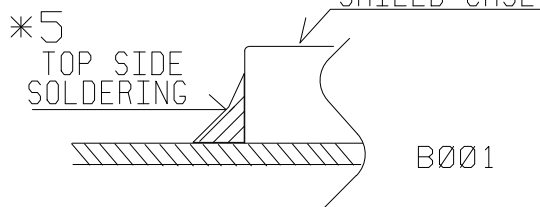
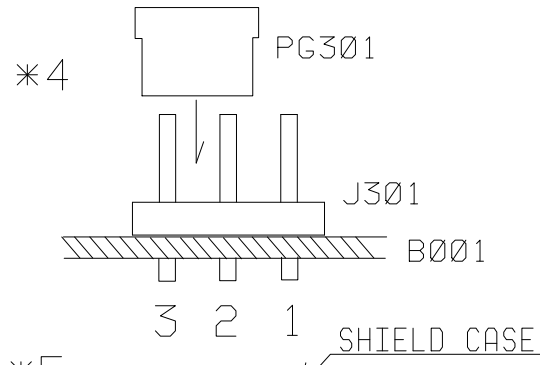
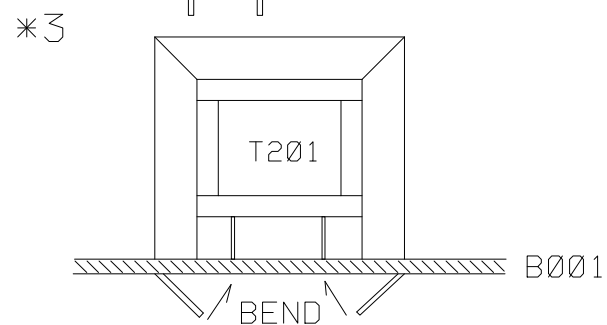
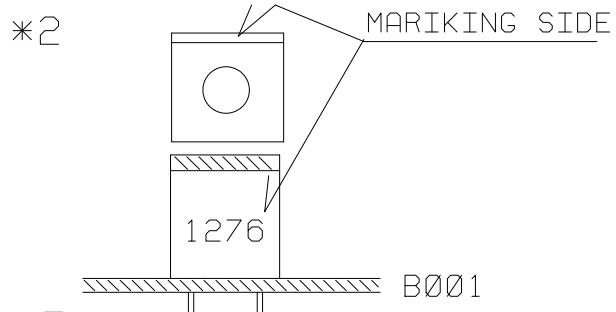
DESIGN. BY	DRAWN. BY	UNIDEN NO.	MODEL NO.
HOKA	HOKA	UT379BH	JOHNNY III
09/06/12	09/06/12	TITLE FRONT/VOLSO/LED L/LED R CHIP LAYOUT BOTTOM VIEW	
CHECK. BY	APPRO. BY	DRAWING NO.	
MATSU	KAM	E24-29459	
09/06/12	09/06/12		
REV. NO.			UNIDEN CORP.

B1 PA-449AA (TOP VIEW)

USE Pb FREE SOLDER



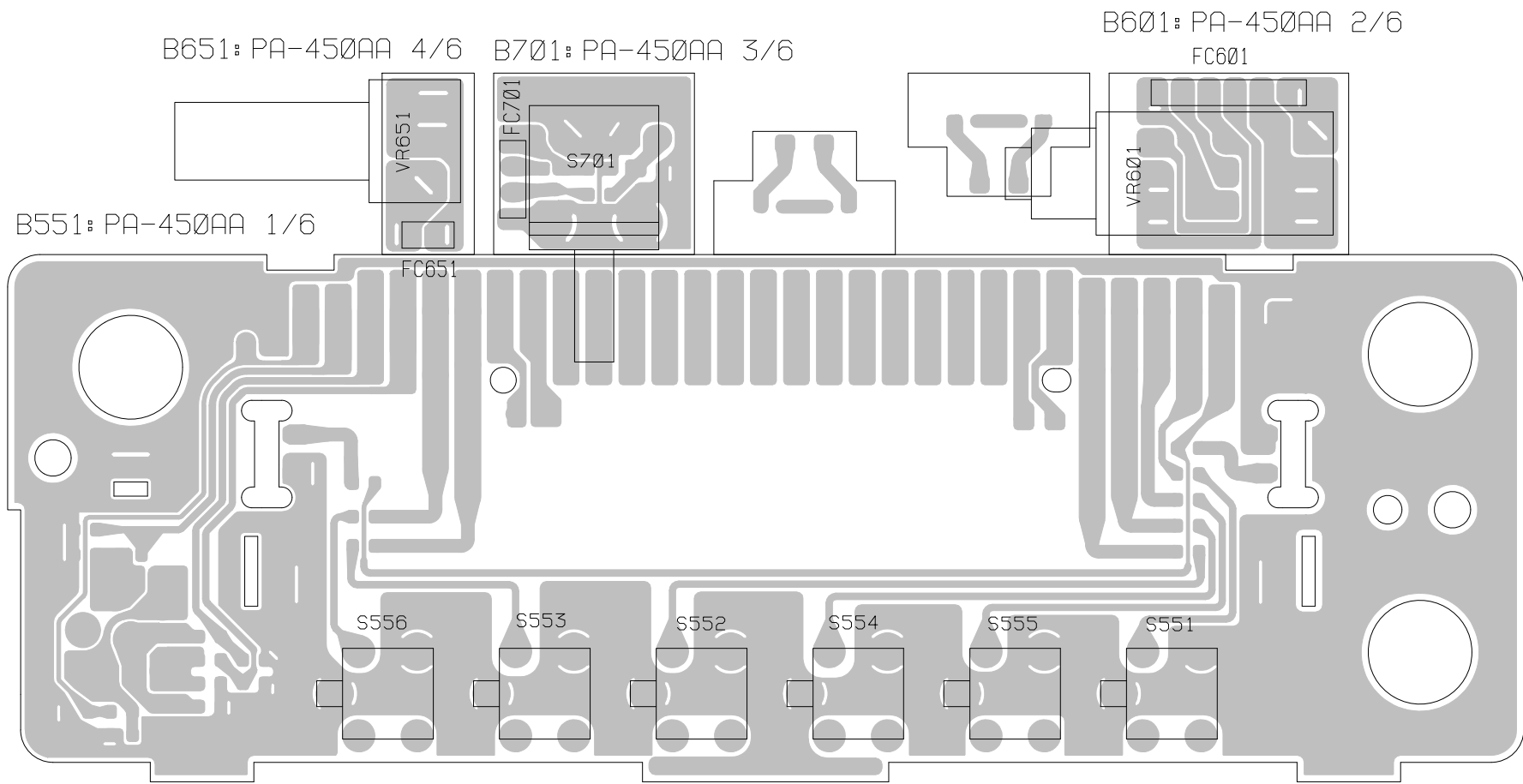
*1 FT1 NO DIRECTION



: SOLDERING

: PUT YELLOW BOND LOCK(SC-121)
(ZABD7001005)

DESIGN. BY HOKA	DRAWN. BY HOKA	UNIDEN NO. UT379ZH	MODEL NO. HARRY III
CHECK. BY MATSU	APPRO. BY KAM	TITLE MAIN PCB 1/2 PARTS ASS'Y TOP VIEW	
REV. NO.		DRAWING NO. E23-29461	
		UNIDEN CORP.	



USE Pb FREE SOLDER

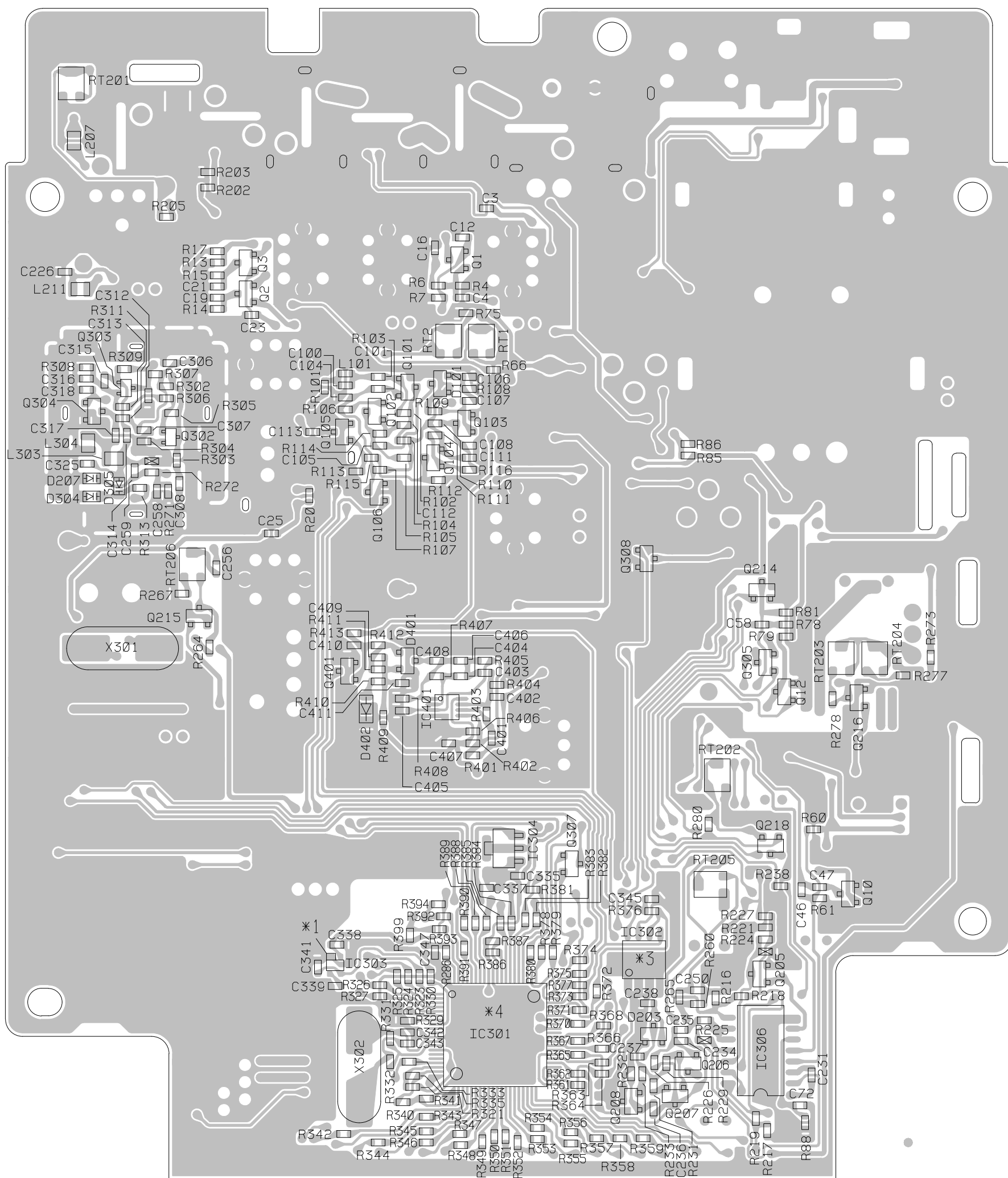
FC601	WF-386	3-80-3	6P
FC651	WF-382	3-35-3	2P
FC701	WF-383	3-50-3	3P
S551	SW-877	TC-1105	
S552	SW-877	TC-1105	
S553	SW-877	TC-1105	
S554	SW-877	TC-1105	
S555	SW-877	TC-1105	

S556	SW-877	TC-1105
S701	SR-470	
VR601	RV-1013	TP96D00N 33F B502, A503
VR651	RV-1019	TP96N00 25.5F B502

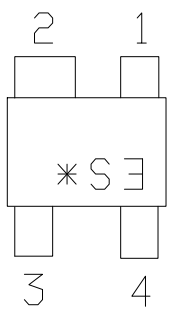
DESIGN. BY	DRAWN. BY	UNIDEN NO.	MODEL NO.
HOKA	HOKA	UT379ZH	HARRY II
09/06/16	09/06/16	TITLE FRONT/VOLSO/RF VOL/CH SW	
CHECK. BY	APPRO. BY	PARTS ASS'Y TOP VIEW	
MATSU	KAM	DRAWING NO.	
09/06/16	09/06/16	E24-29469	
REV. NO.		UNIDEN CORP.	

B1 P.A-449AA (TOP VIEW)

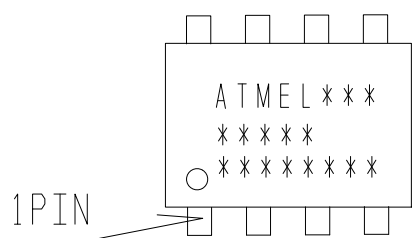
USE Pb FREE SOLDER



*1 IC303 PIN POSITION *3 IC302 MARKING & 1 PIN POSITION



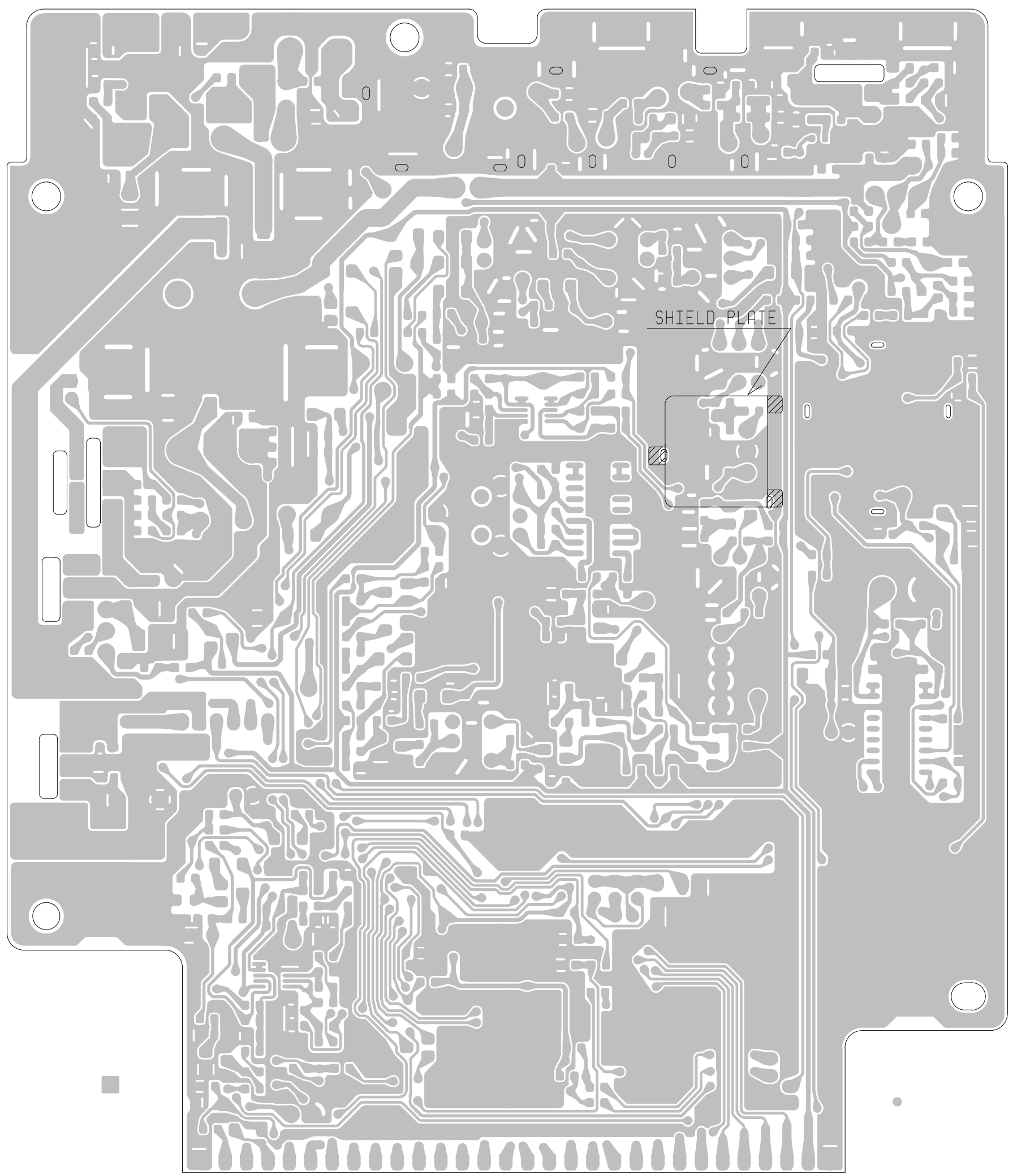
*2 ALL CHIP INDUCTOR HAS NO DIRECTION



*4 INSTALL IC301 AFTER PROGRAMMING

DESIGN. BY	DRAWN. BY	UNIDEN NO.	MODEL NO.
HOKA	HOKA	UT379ZH	HARRY III
09/06/16	09/06/16	TITLE	MAIN PCB 1/2
CHECK. BY	APPRO. BY	CHIP LAYOUT TOP VIEW	
MATSU	KAM	DRAWING NO.	
09/06/16	09/06/16	E23-29463	
REV. NO.		UNIDEN CORP.	

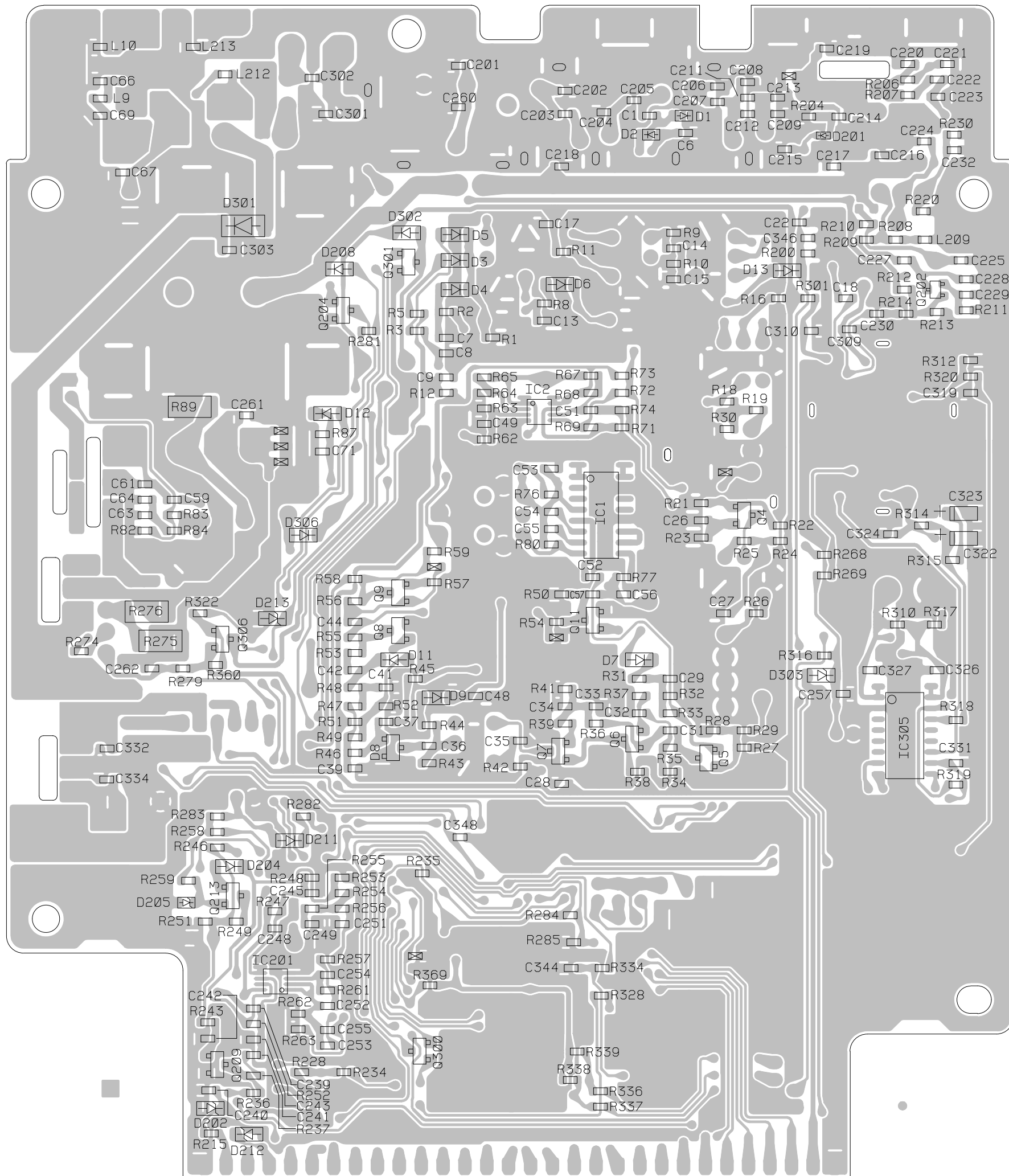
B1 PA-449AA (BOTTOM VIEW) USE Pb FREE SOLDER



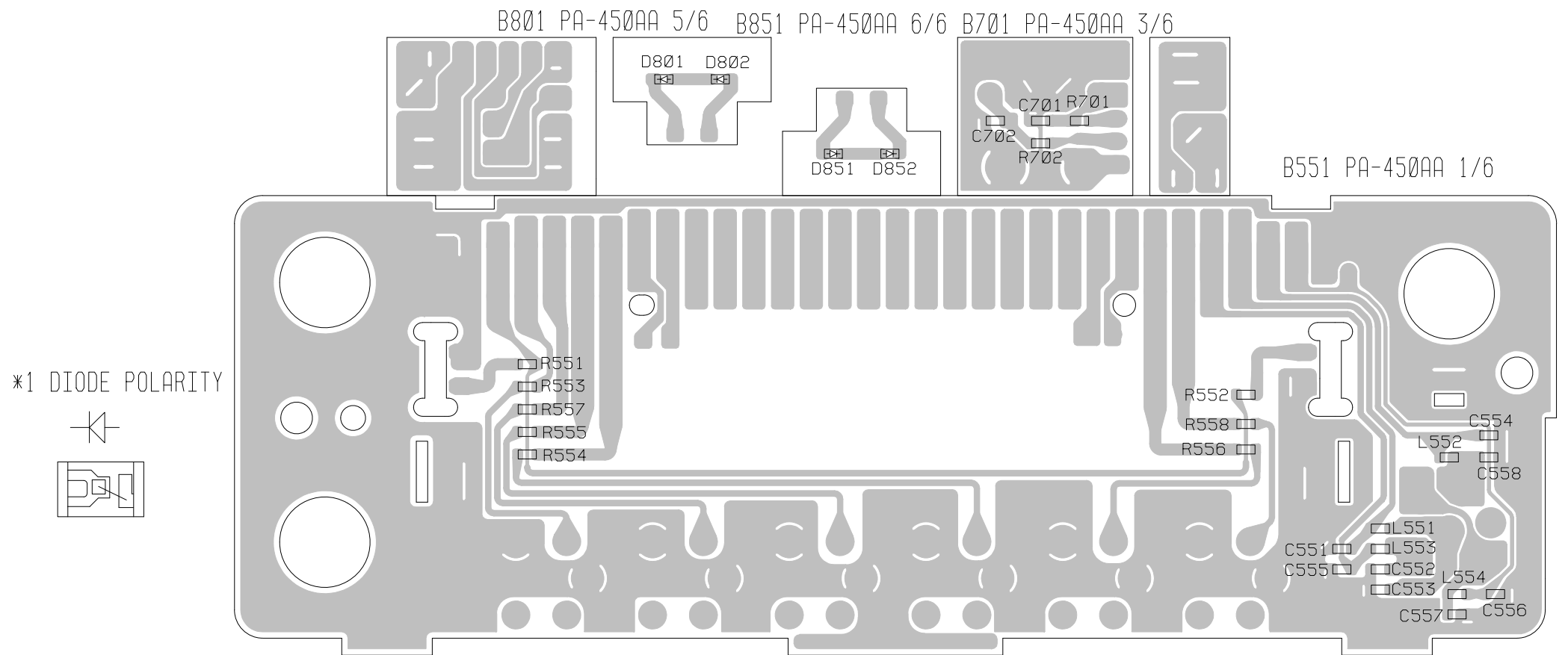
 : SOLDERING

DESIGN. BY	DRAWN. BY	UNIDEN NO.	MODEL NO.
HOKA	HOKA	UT379ZH	HARRY III
09/06/16	09/06/16	TITLE MAIN PCB	
CHECK. BY	APPRO. BY	PARTS ASS'Y BOTTOM VIEW	
MATSU	KAM	DRAWING NO.	
09/06/16	09/06/16	E23-29465	
REV. NO.		UNIDEN CORP.	

B1 PA-449AA (BOTTOM VIEW) USE Pb FREE SOLDER



DESIGN. BY	DRAWN. BY	UNIDEN NO.	MODEL NO.
HOKA	HOKA	UT379ZH	HARRY III
09/06/16	09/06/16	TITLE	MAIN PCB 1/2
CHECK. BY	APPRO. BY	CHIP LAYOUT BOTTOM VIEW	
MATSU	KAM	DRAWING NO.	
09/06/16	09/06/16	E23-29466	
REV. NO.		UNIDEN CORP.	



USE Pb FREE SOLDER

*1 D801, 802, 851, 852: MANUAL SOLDERING

C551	0.01	50V
C552	0.01	50V
C553	0.01	50V
C554	0.01	50V
C555	0.01	50V
C556	0.01	50V
C557	0.01	50V
C558	0.01	50V
C701	0.01	50V
C702	0.01	50V

*1	D801	LTST-C190KFCT
*1	D802	LTST-C190KFCT
*1	D851	LTST-C190KFCT
*1	D852	LTST-C190KFCT
	L551	LZ-207 600
	L552	LZ-207 600
	L553	LZ-207 600
	L554	LZ-207 600
	R551	390

R552	390
R553	1K
R554	1K
R555	1K
R556	1K
R557	1K
R558	1K
R701	1K
R702	1K

NOTES:

1. RESISTANCE VALUES ARE SHOWN IN OHMS UNLESS OTHERWISE NOTED. (K=KILO OHM, M=MEG OHM)
2. RESISTOR WATTAGES ARE 1/16W UNLESS OTHERWISE NOTED.
3. CAPACITANCE VALUES ARE INDICATED IN MICRO FARADS UNLESS OTHERWISE NOTED. (P=MICRO-MICRO FARAD)
4. ALL CAPACITORS TEMPERATURE CHARACTERISTICS ARE CH (LESS THAN 820PF) OR B (MORE THAN 1000PF) UNLESS OTHERWISE NOTED.

DESIGN. BY	DRAWN. BY	UNIDEN NO.	MODEL NO.
HOKA	HOKA	UT379ZH	HARRY III
09/06/16	09/06/16	TITLE FRONT/VOLSO/LED L/LED R	
CHECK. BY	APPRO. BY	CHIP LAYOUT BOTTOM VIEW	
MATSU	KAM	DRAWING NO.	
09/06/16	09/06/16	E24-29468	
REV. NO.		UNIDEN CORP.	

**JOHNNY III ASC
HARRY III ASC**

COMPONENTS LIST

MODEL JOHNNY III ASC

ASSY CODE	PARTS CODE	DESCRIPTION	SPEC	REFNO
AT379BHBAE	BCHL111016G	C:ELECTROLYTIC	100UF 10V M C-411	C311
AT379BHBAE	BCHL111016G	C:ELECTROLYTIC	100UF 10V M C-411	C321
AT379BHBAE	BCHL111016G	C:ELECTROLYTIC	100UF 10V M C-411	C336
AT379BHBAE	BCHL111026G	C:ELECTROLYTIC	1000UF 10V M C-411	C333
AT379BHBAE	BCHL112216G	C:ELECTROLYTIC	220UF 10V M C-411	C050
AT379BHBAE	BCHL112216G	C:ELECTROLYTIC	220UF 10V M C-411	C246
AT379BHBAE	BCHL112216G	C:ELECTROLYTIC	220UF 10V M C-411	C305
AT379BHBAE	BCHL114716G	C:ELECTROLYTIC	470UF 10V M C-411	C247
AT379BHBAE	BCHL314716G	C:ELECTROLYTIC	470UF 16V M C-411	C065
AT379BHBAE	BCHL514706G	C:ELECTROLYTIC	47UF 25V M C-411	C011
AT379BHBAE	BCHL514706G	C:ELECTROLYTIC	47UF 25V M C-411	C062
AT379BHBAE	BCHL514706G	C:ELECTROLYTIC	47UF 25V M C-411	C263
AT379BHBAE	BCHL811006G	C:ELECTROLYTIC	10UF 50V M C-411	C002
AT379BHBAE	BCJW511026G	C:ELECTROLYTIC	1000UF 25V M C-440	C304
AT379BHBAE	BCML311045G	C:CERAMIC M/L (1608) TAPE	0.1UF 16V K B	C026
AT379BHBAE	BCML311045G	C:CERAMIC M/L (1608) TAPE	0.1UF 16V K B	C027
AT379BHBAE	BCML311045G	C:CERAMIC M/L (1608) TAPE	0.1UF 16V K B	C028
AT379BHBAE	BCML311045G	C:CERAMIC M/L (1608) TAPE	0.1UF 16V K B	C029
AT379BHBAE	BCML311045G	C:CERAMIC M/L (1608) TAPE	0.1UF 16V K B	C032
AT379BHBAE	BCML311045G	C:CERAMIC M/L (1608) TAPE	0.1UF 16V K B	C033
AT379BHBAE	BCML311045G	C:CERAMIC M/L (1608) TAPE	0.1UF 16V K B	C034
AT379BHBAE	BCML311045G	C:CERAMIC M/L (1608) TAPE	0.1UF 16V K B	C035
AT379BHBAE	BCML311045G	C:CERAMIC M/L (1608) TAPE	0.1UF 16V K B	C046
AT379BHBAE	BCML311045G	C:CERAMIC M/L (1608) TAPE	0.1UF 16V K B	C051
AT379BHBAE	BCML311045G	C:CERAMIC M/L (1608) TAPE	0.1UF 16V K B	C053
AT379BHBAE	BCML311045G	C:CERAMIC M/L (1608) TAPE	0.1UF 16V K B	C059
AT379BHBAE	BCML311045G	C:CERAMIC M/L (1608) TAPE	0.1UF 16V K B	C063
AT379BHBAE	BCML311045G	C:CERAMIC M/L (1608) TAPE	0.1UF 16V K B	C064
AT379BHBAE	BCML311045G	C:CERAMIC M/L (1608) TAPE	0.1UF 16V K B	C071
AT379BHBAE	BCML311045G	C:CERAMIC M/L (1608) TAPE	0.1UF 16V K B	C072
AT379BHBAE	BCML311045G	C:CERAMIC M/L (1608) TAPE	0.1UF 16V K B	C215
AT379BHBAE	BCML311045G	C:CERAMIC M/L (1608) TAPE	0.1UF 16V K B	C226
AT379BHBAE	BCML311045G	C:CERAMIC M/L (1608) TAPE	0.1UF 16V K B	C235
AT379BHBAE	BCML311045G	C:CERAMIC M/L (1608) TAPE	0.1UF 16V K B	C236
AT379BHBAE	BCML311045G	C:CERAMIC M/L (1608) TAPE	0.1UF 16V K B	C237
AT379BHBAE	BCML311045G	C:CERAMIC M/L (1608) TAPE	0.1UF 16V K B	C238
AT379BHBAE	BCML311045G	C:CERAMIC M/L (1608) TAPE	0.1UF 16V K B	C240
AT379BHBAE	BCML311045G	C:CERAMIC M/L (1608) TAPE	0.1UF 16V K B	C241
AT379BHBAE	BCML311045G	C:CERAMIC M/L (1608) TAPE	0.1UF 16V K B	C245
AT379BHBAE	BCML311045G	C:CERAMIC M/L (1608) TAPE	0.1UF 16V K B	C248
AT379BHBAE	BCML311045G	C:CERAMIC M/L (1608) TAPE	0.1UF 16V K B	C253
AT379BHBAE	BCML311045G	C:CERAMIC M/L (1608) TAPE	0.1UF 16V K B	C318
AT379BHBAE	BCML311045G	C:CERAMIC M/L (1608) TAPE	0.1UF 16V K B	C334
AT379BHBAE	BCML311045G	C:CERAMIC M/L (1608) TAPE	0.1UF 16V K B	C335
AT379BHBAE	BCML311045G	C:CERAMIC M/L (1608) TAPE	0.1UF 16V K B	C337
AT379BHBAE	BCML311045G	C:CERAMIC M/L (1608) TAPE	0.1UF 16V K B	C338
AT379BHBAE	BCML311045G	C:CERAMIC M/L (1608) TAPE	0.1UF 16V K B	C345
AT379BHBAE	BCML311045G	C:CERAMIC M/L (1608) TAPE	0.1UF 16V K B	C346
AT379BHBAE	BCML311045G	C:CERAMIC M/L (1608) TAPE	0.1UF 16V K B	C405
AT379BHBAE	BCML311045G	C:CERAMIC M/L (1608) TAPE	0.1UF 16V K B	C407
AT379BHBAE	BCML311045G	C:CERAMIC M/L (1608) TAPE	0.1UF 16V K B	C408
AT379BHBAE	BCML311045G	C:CERAMIC M/L (1608) TAPE	0.1UF 16V K B	C410

AT379BHBAE	BCML812235G	C:CERAMIC M/L (1608) TAPE	0.022UF 50V K B	C047
AT379BHBAE	BCML814725G	C:CERAMIC M/L (1608) TAPE	0.0047UF 50V K B	C061
AT379BHBAE	BCML814725G	C:CERAMIC M/L (1608) TAPE	0.0047UF 50V K B	C222
AT379BHBAE	BCML814725G	C:CERAMIC M/L (1608) TAPE	0.0047UF 50V K B	C324
AT379BHBAE	BCML901055G	C:CERAMIC M/L (1608) TAPE	1UF 6.3V K B	C008
AT379BHBAE	BCML901055G	C:CERAMIC M/L (1608) TAPE	1UF 6.3V K B	C041
AT379BHBAE	BCML901055G	C:CERAMIC M/L (1608) TAPE	1UF 6.3V K B	C049
AT379BHBAE	BCML901055G	C:CERAMIC M/L (1608) TAPE	1UF 6.3V K B	C231
AT379BHBAE	BCML901055G	C:CERAMIC M/L (1608) TAPE	1UF 6.3V K B	C249
AT379BHBAE	BCML901055G	C:CERAMIC M/L (1608) TAPE	1UF 6.3V K B	C348
AT379BHBAE	BCML901055G	C:CERAMIC M/L (1608) TAPE	1UF 6.3V K B	C409
AT379BHBAE	BCML901055G	C:CERAMIC M/L (1608) TAPE	1UF 6.3V K B	C411
AT379BHBAE	BCMM811002G	C:CERAMIC M/L (1608) TAPE	10PF 50V D CH	C327
AT379BHBAE	BCMM811014G	C:CERAMIC M/L (1608) TAPE	100PF 50V J CH	C043
AT379BHBAE	BCMM811014G	C:CERAMIC M/L (1608) TAPE	100PF 50V J CH	C201
AT379BHBAE	BCMM811014G	C:CERAMIC M/L (1608) TAPE	100PF 50V J CH	C208
AT379BHBAE	BCMM811014G	C:CERAMIC M/L (1608) TAPE	100PF 50V J CH	C209
AT379BHBAE	BCMM811014G	C:CERAMIC M/L (1608) TAPE	100PF 50V J CH	C213
AT379BHBAE	BCMM811014G	C:CERAMIC M/L (1608) TAPE	100PF 50V J CH	C260
AT379BHBAE	BCMM811204G	C:CERAMIC M/L (1608) TAPE	12PF 50V J CH	C205
AT379BHBAE	BCMM811504G	C:CERAMIC M/L (1608) TAPE	15PF 50V J CH	C001
AT379BHBAE	BCMM811504G	C:CERAMIC M/L (1608) TAPE	15PF 50V J CH	C207
AT379BHBAE	BCMM811504G	C:CERAMIC M/L (1608) TAPE	15PF 50V J CH	C220
AT379BHBAE	BCMM811504G	C:CERAMIC M/L (1608) TAPE	15PF 50V J CH	C223
AT379BHBAE	BCMM811514G	C:CERAMIC M/L (1608) TAPE	150PF 50V J CH	C206
AT379BHBAE	BCMM811514G	C:CERAMIC M/L (1608) TAPE	150PF 50V J CH	C227
AT379BHBAE	BCMM811514G	C:CERAMIC M/L (1608) TAPE	150PF 50V J CH	C315
AT379BHBAE	BCMM811514G	C:CERAMIC M/L (1608) TAPE	150PF 50V J CH	C316
AT379BHBAE	BCMM811804G	C:CERAMIC M/L (1608) TAPE	18PF 50V J CH	C203
AT379BHBAE	BCMM811814G	C:CERAMIC M/L (1608) TAPE	180PF 50V J CH	C202
AT379BHBAE	BCMM811814G	C:CERAMIC M/L (1608) TAPE	180PF 50V J CH	C204
AT379BHBAE	BCMM812098G	C: CERAMIC M/L (1608) TAPE	2PF 50V B CH	C214
AT379BHBAE	BCMM812204G	C:CERAMIC M/L (1608) TAPE	22PF 50V J CH	C314
AT379BHBAE	BCMM812204G	C:CERAMIC M/L (1608) TAPE	22PF 50V J CH	C342
AT379BHBAE	BCMM812204G	C:CERAMIC M/L (1608) TAPE	22PF 50V J CH	C343
AT379BHBAE	BCMM812214G	C:CERAMIC M/L (1608) TAPE	220PF 50V J CH	C039
AT379BHBAE	BCMM812214G	C:CERAMIC M/L (1608) TAPE	220PF 50V J CH	C219
AT379BHBAE	BCMM812704G	C:CERAMIC M/L (1608) TAPE	27PF 50V J CH	C015
AT379BHBAE	BCMM812704G	C:CERAMIC M/L (1608) TAPE	27PF 50V J CH	C326
AT379BHBAE	BCMM812714G	C:CERAMIC M/L (1608) TAPE	270PF 50V J CH	C403
AT379BHBAE	BCMM812714G	C:CERAMIC M/L (1608) TAPE	270PF 50V J CH	C406
AT379BHBAE	BCMM813098G	C: CERAMIC M/L (1608) TAPE	3PF 50V B CH	C014
AT379BHBAE	BCMM813098G	C: CERAMIC M/L (1608) TAPE	3PF 50V B CH	C025
AT379BHBAE	BCMM813304G	C:CERAMIC M/L (1608) TAPE	33PF 50V J CH	C224
AT379BHBAE	BCMM813314G	C:CERAMIC M/L (1608) TAPE	330PF 50V J CH	C037
AT379BHBAE	BCMM813314G	C:CERAMIC M/L (1608) TAPE	330PF 50V J CH	C234
AT379BHBAE	BCMM813314G	C:CERAMIC M/L (1608) TAPE	330PF 50V J CH	C251
AT379BHBAE	BCMM814091G	C:CERAMIC M/L (1608) TAPE	4PF 50V C CH	C328
AT379BHBAE	BCMM814704G	C:CERAMIC M/L (1608) TAPE	47PF 50V J CH	C036
AT379BHBAE	BCMM814704G	C:CERAMIC M/L (1608) TAPE	47PF 50V J CH	C228
AT379BHBAE	BCMM814704G	C:CERAMIC M/L (1608) TAPE	47PF 50V J CH	C254
AT379BHBAE	BCMM814714G	C:CERAMIC M/L (1608) TAPE	470PF 50V J CH	C401
AT379BHBAE	BCMM814714G	C:CERAMIC M/L (1608) TAPE	470PF 50V J CH	C402
AT379BHBAE	BCMM814714G	C:CERAMIC M/L (1608) TAPE	470PF 50V J CH	C404

AT379BHBAE	BCMM815091G	C: CERAMIC M/L (1608) TAPE	5PF 50V C CH	C313
AT379BHBAE	BCMM816814G	C:CERAMIC M/L (1608) TAPE	680PF 50V J CH	C211
AT379BHBAE	BCMM816814G	C:CERAMIC M/L (1608) TAPE	680PF 50V J CH	C212
AT379BHBAE	BCMM818092G	C: CERAMIC M/L (1608) TAPE	8PF 50V D CH	C325
AT379BHBAE	BCMM818214G	C:CERAMIC M/L (1608) TAPE	820PF 50V J CH	C252
AT379BHBAE	BCSH312296G	C:TANTALUM CHIP TAPE	2.2UF 16V M C-122 TAPE	C323
AT379BHBAE	BCSH662286G	CAPACITOR:TANTALUM CHIP	0.22UF 35V M C-122 TAPE	C322
AT379BHBAE	BCTG0076450	C:TRIMMER CT-076	TZ03P450F169B00 45PF	CT301
AT379BHBAE	BDAG0808001	DIODE:SWITCHING	1SS356 TW11	D001
AT379BHBAE	BDAG0808001	DIODE:SWITCHING	1SS356 TW11	D002
AT379BHBAE	BDAG1220016	DIODE:ZENER	UDZS F 3.0B TE-17	D205
AT379BHBAE	BDAG1265001	DIODE	DA-1265 1SS226(TE85L_F)	D203
AT379BHBAE	BDAG1265001	DIODE	DA-1265 1SS226(TE85L_F)	D401
AT379BHBAE	BDAG1270001	DIODE	KDS160E-RTK/P	D201
AT379BHBAE	BDAG1280001	DIODE:VARICAP	HVU307 TRU-E	D304
AT379BHBAE	BDAG1280001	DIODE:VARICAP	HVU307 TRU-E	D305
AT379BHBAE	BDAG1285001	DIODE	HSM88AS TL-E	D008
AT379BHBAE	BDAG1349001	DIODE	GD 1N4003-A2	D209
AT379BHBAE	BDAG1355001	DIODE	SDB30A40	D301
AT379BHBAE	BDAG1414001	DIODE	DA-1414 LL34LL4148	D003
AT379BHBAE	BDAG1414001	DIODE	DA-1414 LL34LL4148	D004
AT379BHBAE	BDAG1414001	DIODE	DA-1414 LL34LL4148	D005
AT379BHBAE	BDAG1414001	DIODE	DA-1414 LL34LL4148	D006
AT379BHBAE	BDAG1414001	DIODE	DA-1414 LL34LL4148	D007
AT379BHBAE	BDAG1414001	DIODE	DA-1414 LL34LL4148	D009
AT379BHBAE	BDAG1414001	DIODE	DA-1414 LL34LL4148	D011
AT379BHBAE	BDAG1414001	DIODE	DA-1414 LL34LL4148	D012
AT379BHBAE	BDAG1414001	DIODE	DA-1414 LL34LL4148	D013
AT379BHBAE	BDAG1414001	DIODE	DA-1414 LL34LL4148	D204
AT379BHBAE	BDAG1414001	DIODE	DA-1414 LL34LL4148	D208
AT379BHBAE	BDAG1414001	DIODE	DA-1414 LL34LL4148	D211
AT379BHBAE	BDAG1414001	DIODE	DA-1414 LL34LL4148	D302
AT379BHBAE	BDAG1414001	DIODE	DA-1414 LL34LL4148	D402
AT379BHBAE	BDAG1423002	DIODE:ZENER	HZK5C	D303
AT379BHBAE	BDAG1423007	DIODE:ZENER	HZK7C	D202
AT379BHBAE	BDAG1423007	DIODE:ZENER	HZK7C	D212
AT379BHBAE	BDAG1423007	DIODE:ZENER	HZK7C	D213
AT379BHBAE	BDBL0941112	TRANSISTOR	DB-1212 2SC941TM-Y(TPE2_F)	Q201
AT379BHBAE	BDBL2714124	TRANSISTOR	DB-718 2SC2714-Y (TE85L_F)	Q001
AT379BHBAE	BDBL2714124	TRANSISTOR	DB-718 2SC2714-Y (TE85L_F)	Q004
AT379BHBAE	BDBL3243105	TRANSISTOR	DB-1211 2SC3243-T111-E	Q217
AT379BHBAE	BDBL4226646	TRANSISTOR	DB-1174 2SC4226-R24 T1	Q202
AT379BHBAE	BDBL4226646	TRANSISTOR	DB-1174 2SC4226-R24 T1	Q302
AT379BHBAE	BDBL4226646	TRANSISTOR	DB-1174 2SC4226-R24 T1	Q303
AT379BHBAE	BDBM2114000	TRANSISTOR	DB-1300 2SD2114K	Q007
AT379BHBAE	BDBM2114000	TRANSISTOR	DB-1300 2SD2114K	Q209
AT379BHBAE	BDBM2114000	TRANSISTOR	DB-1300 2SD2114K	Q304
AT379BHBAE	BDBN1068001	TRANSISTOR	DB-1068 DTA123JKA T146	Q213
AT379BHBAE	BDBN1068001	TRANSISTOR	DB-1068 DTA123JKA T146	Q300
AT379BHBAE	BDBN1068001	TRANSISTOR	DB-1068 DTA123JKA T146	Q307
AT379BHBAE	BDBN1259001	TRANSISTOR	DB-1259 KTC3875S-GR-RTK/P TAPE	Q005
AT379BHBAE	BDBN1259001	TRANSISTOR	DB-1259 KTC3875S-GR-RTK/P TAPE	Q006
AT379BHBAE	BDBN1259001	TRANSISTOR	DB-1259 KTC3875S-GR-RTK/P TAPE	Q009
AT379BHBAE	BDBN1259001	TRANSISTOR	DB-1259 KTC3875S-GR-RTK/P TAPE	Q206

AT379BHBAE	BDBN1259001	TRANSISTOR	DB-1259 KTC3875S-GR-RTK/P TAPE	Q207
AT379BHBAE	BDBN1259001	TRANSISTOR	DB-1259 KTC3875S-GR-RTK/P TAPE	Q208
AT379BHBAE	BDBN1259001	TRANSISTOR	DB-1259 KTC3875S-GR-RTK/P TAPE	Q401
AT379BHBAE	BDBN1266001	TRANSISTOR	DB-1266 DTC143ZKA T146	Q010
AT379BHBAE	BDBN1266001	TRANSISTOR	DB-1266 DTC143ZKA T146	Q012
AT379BHBAE	BDBN1266001	TRANSISTOR	DB-1266 DTC143ZKA T146	Q214
AT379BHBAE	BDBN1266001	TRANSISTOR	DB-1266 DTC143ZKA T146	Q216
AT379BHBAE	BDBN1266001	TRANSISTOR	DB-1266 DTC143ZKA T146	Q301
AT379BHBAE	BDBN1266001	TRANSISTOR	DB-1266 DTC143ZKA T146	Q305
AT379BHBAE	BDBN1290001	TRANSISTOR	DB-1290 LMBT3906LT1G	Q218
AT379BHBAE	BDBN1290001	TRANSISTOR	DB-1290 LMBT3906LT1G	Q306
AT379BHBAE	BDBN1303001	TRANSISTOR	DB-1303 DTC115EKA T146	Q204
AT379BHBAE	BDBN1303001	TRANSISTOR	DB-1303 DTC115EKA T146	Q205
AT379BHBAE	BDCK0210303	FIELD EFFECT TRANSISTOR	DC-310 2SK210-GR(TE85L_F)	Q002
AT379BHBAE	BDCK0210303	FIELD EFFECT TRANSISTOR	DC-310 2SK210-GR(TE85L_F)	Q003
AT379BHBAE	BDEG2769003	INTEGRATED CIRCUIT	BU2630F-E2	IC305
AT379BHBAE	BDEG4251003	INTEGRATED CIRCUIT	RH5RL50AA-T1-FA	IC304
AT379BHBAE	BDEG4463003	INTEGRATED CIRCUIT	NJM12904R-TE1-#ZZZB	IC002
AT379BHBAE	BDEG4463003	INTEGRATED CIRCUIT	NJM12904R-TE1-#ZZZB	IC201
AT379BHBAE	BDEG4463003	INTEGRATED CIRCUIT	NJM12904R-TE1-#ZZZB	IC401
AT379BHBAE	BDEG4636003	INTEGRATED CIRCUIT	TC4066BF(EL_N_F)	IC306
AT379BHBAE	BDEG4680003	INTEGRATED CIRCUIT	XC6109C43ANR	IC303
AT379BHBAE	BDEG5009003	INTEGRATED CIRCUIT	AT24C02BN-SH-T	IC302
AT379BHBAE	BDEG5076001	INTEGRATED CIRCUIT	M38D58G8HP	IC301
AT379BHBAE	BFLG0852001	FILTER:CERAMIC	FL-852 LTS455HTW	FT002
AT379BHBAE	BFLG1087001	FILTER:CRYSTAL	FL-1087 10M07AZ	FT001
AT379BHBAE	BJKG1249003	JACK	JK-1249 IMSA-9210B-1-03Z058-PT1	J301
AT379BHBAE	BJKG1310001	JACK:EARPHONE	JK-1310 PJ-305C	J001
AT379BHBAE	BJKG1435001	JACK:MIC	JK-1435 EJM-3-0125N	J201
AT379BHBAE	BLBG1276001	COIL	LB-1276	L004
AT379BHBAE	BLBG1285001	COIL	LB-1285	L001
AT379BHBAE	BLBH1153001	COIL	LB-1153 KS2485NC	L002
AT379BHBAE	BLBH1239001	COIL	LB-1239 KS2585N	L003
AT379BHBAE	BLBH1272001	COIL	LB-1272 7MK4A035A	L006
AT379BHBAE	BLBH1272001	COIL	LB-1272 7MK4A035A	L007
AT379BHBAE	BLDG0087001	COIL	LD-087 L5RH3X5X1	L301
AT379BHBAE	BLDG0087001	COIL	LD-087 L5RH3X5X1	L302
AT379BHBAE	BLDH0252001	COIL	LD-252 SZFDLLD-252	L200
AT379BHBAE	BLEG0600001	COIL	LE-0600	L205
AT379BHBAE	BLEG0600001	COIL	LE-0600	L208
AT379BHBAE	BLEH0475001	COIL	LE-475 SZFDLLE-475	L201
AT379BHBAE	BLEH0475001	COIL	LE-475 SZFDLLE-475	L202
AT379BHBAE	BLEH0475001	COIL	LE-475 SZFDLLE-475	L203
AT379BHBAE	BLEH0475001	COIL	LE-475 SZFDLLE-475	L204
AT379BHBAE	BLEH0475001	COIL	LE-475 SZFDLLE-475	L206
AT379BHBAE	BLZG0207601	INDUCTOR:MOLDED CHIP	LZ-207 MMZ1608Y601BT 600	L009
AT379BHBAE	BLZG0207601	INDUCTOR:MOLDED CHIP	LZ-207 MMZ1608Y601BT 600	L010
AT379BHBAE	BLZG0207601	INDUCTOR:MOLDED CHIP	LZ-207 MMZ1608Y601BT 600	L209
AT379BHBAE	BLZG0207601	INDUCTOR:MOLDED CHIP	LZ-207 MMZ1608Y601BT 600	L212
AT379BHBAE	BLZG0207601	INDUCTOR:MOLDED CHIP	LZ-207 MMZ1608Y601BT 600	L213
AT379BHBAE	BLZG0278338	INDUCTOR:MOLDED CHIP	LZ-278 LLQ2012-FR33J 330NH	L304
AT379BHBAE	BLZG0278398	INDUCTOR:MOLDED CHIP	LZ-278 LLQ2012-FR39J 390NH	L211
AT379BHBAE	BLZG0278398	INDUCTOR:MOLDED CHIP	LZ-278 LLQ2012-FR39J 390NH	L303
AT379BHBAE	BLZG0278478	INDUCTOR:MOLDED CHIP	LZ-278 LLQ2012-FR47J 470NH	L207

AT379BHBAE	BPAG0449AAZ	PCB:MAIN	PA-449AA	B001
AT379BHBAE	BPGG0185001	PLUG	PG-185 IMSA-9215H-T	PG301
AT379BHBAE	BQXG0839001	CRYSTAL	QX-839 3.6864MHZ	X302
AT379BHBAE	BQXG0976001	CRYSTAL	QX-976 10.240000MHZ	X301
AT379BHBAE	BRFC121014G	R:CARBON FIXED CHIP(5025)	100 1/2W J TAPE	R276
AT379BHBAE	BRFC128204G	R:CARBON FIXED CHIP(5025)	82 1/2W J TAPE	R275
AT379BHBAE	BRFC160004G	R:CARBON FIXED CHIP(1608)	0 1/16W J TAPE	R017
AT379BHBAE	BRFC160004G	R:CARBON FIXED CHIP(1608)	0 1/16W J TAPE	R090
AT379BHBAE	BRFC160004G	R:CARBON FIXED CHIP(1608)	0 1/16W J TAPE	R092
AT379BHBAE	BRFC160004G	R:CARBON FIXED CHIP(1608)	0 1/16W J TAPE	R093
AT379BHBAE	BRFC160004G	R:CARBON FIXED CHIP(1608)	0 1/16W J TAPE	R210
AT379BHBAE	BRFC160004G	R:CARBON FIXED CHIP(1608)	0 1/16W J TAPE	R286
AT379BHBAE	BRFC160004G	R:CARBON FIXED CHIP(1608)	0 1/16W J TAPE	R323
AT379BHBAE	BRFC160004G	R:CARBON FIXED CHIP(1608)	0 1/16W J TAPE	R324
AT379BHBAE	BRFC160004G	R:CARBON FIXED CHIP(1608)	0 1/16W J TAPE	R325
AT379BHBAE	BRFC160004G	R:CARBON FIXED CHIP(1608)	0 1/16W J TAPE	R326
AT379BHBAE	BRFC160004G	R:CARBON FIXED CHIP(1608)	0 1/16W J TAPE	R328
AT379BHBAE	BRFC160004G	R:CARBON FIXED CHIP(1608)	0 1/16W J TAPE	R330
AT379BHBAE	BRFC160004G	R:CARBON FIXED CHIP(1608)	0 1/16W J TAPE	R332
AT379BHBAE	BRFC160004G	R:CARBON FIXED CHIP(1608)	0 1/16W J TAPE	R336
AT379BHBAE	BRFC160004G	R:CARBON FIXED CHIP(1608)	0 1/16W J TAPE	R337
AT379BHBAE	BRFC160004G	R:CARBON FIXED CHIP(1608)	0 1/16W J TAPE	R342
AT379BHBAE	BRFC160004G	R:CARBON FIXED CHIP(1608)	0 1/16W J TAPE	R343
AT379BHBAE	BRFC160004G	R:CARBON FIXED CHIP(1608)	0 1/16W J TAPE	R344
AT379BHBAE	BRFC160004G	R:CARBON FIXED CHIP(1608)	0 1/16W J TAPE	R345
AT379BHBAE	BRFC160004G	R:CARBON FIXED CHIP(1608)	0 1/16W J TAPE	R346
AT379BHBAE	BRFC160004G	R:CARBON FIXED CHIP(1608)	0 1/16W J TAPE	R347
AT379BHBAE	BRFC160004G	R:CARBON FIXED CHIP(1608)	0 1/16W J TAPE	R348
AT379BHBAE	BRFC160004G	R:CARBON FIXED CHIP(1608)	0 1/16W J TAPE	R349
AT379BHBAE	BRFC160004G	R:CARBON FIXED CHIP(1608)	0 1/16W J TAPE	R350
AT379BHBAE	BRFC160004G	R:CARBON FIXED CHIP(1608)	0 1/16W J TAPE	R351
AT379BHBAE	BRFC160004G	R:CARBON FIXED CHIP(1608)	0 1/16W J TAPE	R352
AT379BHBAE	BRFC160004G	R:CARBON FIXED CHIP(1608)	0 1/16W J TAPE	R353
AT379BHBAE	BRFC160004G	R:CARBON FIXED CHIP(1608)	0 1/16W J TAPE	R354
AT379BHBAE	BRFC160004G	R:CARBON FIXED CHIP(1608)	0 1/16W J TAPE	R355
AT379BHBAE	BRFC160004G	R:CARBON FIXED CHIP(1608)	0 1/16W J TAPE	R356
AT379BHBAE	BRFC160004G	R:CARBON FIXED CHIP(1608)	0 1/16W J TAPE	R357
AT379BHBAE	BRFC160004G	R:CARBON FIXED CHIP(1608)	0 1/16W J TAPE	R358
AT379BHBAE	BRFC160004G	R:CARBON FIXED CHIP(1608)	0 1/16W J TAPE	R359
AT379BHBAE	BRFC160004G	R:CARBON FIXED CHIP(1608)	0 1/16W J TAPE	R361
AT379BHBAE	BRFC160004G	R:CARBON FIXED CHIP(1608)	0 1/16W J TAPE	R362
AT379BHBAE	BRFC160004G	R:CARBON FIXED CHIP(1608)	0 1/16W J TAPE	R365
AT379BHBAE	BRFC160004G	R:CARBON FIXED CHIP(1608)	0 1/16W J TAPE	R366
AT379BHBAE	BRFC160004G	R:CARBON FIXED CHIP(1608)	0 1/16W J TAPE	R367
AT379BHBAE	BRFC160004G	R:CARBON FIXED CHIP(1608)	0 1/16W J TAPE	R370
AT379BHBAE	BRFC160004G	R:CARBON FIXED CHIP(1608)	0 1/16W J TAPE	R372
AT379BHBAE	BRFC160004G	R:CARBON FIXED CHIP(1608)	0 1/16W J TAPE	R373
AT379BHBAE	BRFC160004G	R:CARBON FIXED CHIP(1608)	0 1/16W J TAPE	R374
AT379BHBAE	BRFC160004G	R:CARBON FIXED CHIP(1608)	0 1/16W J TAPE	R375
AT379BHBAE	BRFC160004G	R:CARBON FIXED CHIP(1608)	0 1/16W J TAPE	R378
AT379BHBAE	BRFC160004G	R:CARBON FIXED CHIP(1608)	0 1/16W J TAPE	R379
AT379BHBAE	BRFC160004G	R:CARBON FIXED CHIP(1608)	0 1/16W J TAPE	R380
AT379BHBAE	BRFC160004G	R:CARBON FIXED CHIP(1608)	0 1/16W J TAPE	R382
AT379BHBAE	BRFC161004G	R:CARBON FIXED CHIP(1608)	10 1/16W J TAPE	R039

AT379BHBAE	BRFC164714G	R:CARBON FIXED CHIP(1608)	470 1/16W J TAPE	R308
AT379BHBAE	BRFC164714G	R:CARBON FIXED CHIP(1608)	470 1/16W J TAPE	R317
AT379BHBAE	BRFC164714G	R:CARBON FIXED CHIP(1608)	470 1/16W J TAPE	R410
AT379BHBAE	BRFC164724G	R:CARBON FIXED CHIP(1608)	4.7K 1/16W J TAPE	R058
AT379BHBAE	BRFC164724G	R:CARBON FIXED CHIP(1608)	4.7K 1/16W J TAPE	R059
AT379BHBAE	BRFC164724G	R:CARBON FIXED CHIP(1608)	4.7K 1/16W J TAPE	R073
AT379BHBAE	BRFC164724G	R:CARBON FIXED CHIP(1608)	4.7K 1/16W J TAPE	R212
AT379BHBAE	BRFC164724G	R:CARBON FIXED CHIP(1608)	4.7K 1/16W J TAPE	R228
AT379BHBAE	BRFC164724G	R:CARBON FIXED CHIP(1608)	4.7K 1/16W J TAPE	R234
AT379BHBAE	BRFC164724G	R:CARBON FIXED CHIP(1608)	4.7K 1/16W J TAPE	R236
AT379BHBAE	BRFC164724G	R:CARBON FIXED CHIP(1608)	4.7K 1/16W J TAPE	R237
AT379BHBAE	BRFC164724G	R:CARBON FIXED CHIP(1608)	4.7K 1/16W J TAPE	R251
AT379BHBAE	BRFC164724G	R:CARBON FIXED CHIP(1608)	4.7K 1/16W J TAPE	R313
AT379BHBAE	BRFC164724G	R:CARBON FIXED CHIP(1608)	4.7K 1/16W J TAPE	R329
AT379BHBAE	BRFC164724G	R:CARBON FIXED CHIP(1608)	4.7K 1/16W J TAPE	R383
AT379BHBAE	BRFC164734G	R:CARBON FIXED CHIP(1608)	47K 1/16W J TAPE	R036
AT379BHBAE	BRFC164734G	R:CARBON FIXED CHIP(1608)	47K 1/16W J TAPE	R063
AT379BHBAE	BRFC164734G	R:CARBON FIXED CHIP(1608)	47K 1/16W J TAPE	R273
AT379BHBAE	BRFC164734G	R:CARBON FIXED CHIP(1608)	47K 1/16W J TAPE	R280
AT379BHBAE	BRFC164734G	R:CARBON FIXED CHIP(1608)	47K 1/16W J TAPE	R311
AT379BHBAE	BRFC164734G	R:CARBON FIXED CHIP(1608)	47K 1/16W J TAPE	R360
AT379BHBAE	BRFC164744G	R:CARBON FIXED CHIP(1608)	470K 1/16W J TAPE	R056
AT379BHBAE	BRFC164744G	R:CARBON FIXED CHIP(1608)	470K 1/16W J TAPE	R074
AT379BHBAE	BRFC164744G	R:CARBON FIXED CHIP(1608)	470K 1/16W J TAPE	R087
AT379BHBAE	BRFC164744G	R:CARBON FIXED CHIP(1608)	470K 1/16W J TAPE	R226
AT379BHBAE	BRFC164744G	R:CARBON FIXED CHIP(1608)	470K 1/16W J TAPE	R232
AT379BHBAE	BRFC165614G	R:CARBON FIXED CHIP(1608)	560 1/16W J TAPE	R020
AT379BHBAE	BRFC165614G	R:CARBON FIXED CHIP(1608)	560 1/16W J TAPE	R259
AT379BHBAE	BRFC165624G	R:CARBON FIXED CHIP(1608)	5.6K 1/16W J TAPE	R321
AT379BHBAE	BRFC165644G	R:CARBON FIXED CHIP(1608)	560K 1/16W J TAPE	R068
AT379BHBAE	BRFC165644G	R:CARBON FIXED CHIP(1608)	560K 1/16W J TAPE	R407
AT379BHBAE	BRFC165644G	R:CARBON FIXED CHIP(1608)	560K 1/16W J TAPE	R413
AT379BHBAE	BRFC166814G	R:CARBON FIXED CHIP(1608)	680 1/16W J TAPE	R032
AT379BHBAE	BRFC166814G	R:CARBON FIXED CHIP(1608)	680 1/16W J TAPE	R213
AT379BHBAE	BRFC166814G	R:CARBON FIXED CHIP(1608)	680 1/16W J TAPE	R318
AT379BHBAE	BRFC166824G	R:CARBON FIXED CHIP(1608)	6.8K 1/16W J TAPE	R075
AT379BHBAE	BRFC166824G	R:CARBON FIXED CHIP(1608)	6.8K 1/16W J TAPE	R079
AT379BHBAE	BRFC166824G	R:CARBON FIXED CHIP(1608)	6.8K 1/16W J TAPE	R081
AT379BHBAE	BRFC166824G	R:CARBON FIXED CHIP(1608)	6.8K 1/16W J TAPE	R221
AT379BHBAE	BRFC166834G	R:CARBON FIXED CHIP(1608)	68K 1/16W J TAPE	R045
AT379BHBAE	BRFC166834G	R:CARBON FIXED CHIP(1608)	68K 1/16W J TAPE	R049
AT379BHBAE	BRFC166834G	R:CARBON FIXED CHIP(1608)	68K 1/16W J TAPE	R052
AT379BHBAE	BRFC166844G	R:CARBON FIXED CHIP(1608)	680K 1/16W J TAPE	R403
AT379BHBAE	BRFC168204G	R:CARBON FIXED CHIP(1608)	82 1/16W J TAPE	R274
AT379BHBAE	BRFC168224G	R:CARBON FIXED CHIP(1608)	8.2K 1/16W J TAPE	R405
AT379BHBAE	BRLG0122001	RELAY	RL-122 BR-700OHMS-8VDC-UD	RL301
AT379BHBAE	BRPA611034G	R:CARBON AXIAL LEAD (26)	10K 1/6W J TAPE	R395
AT379BHBAE	BRPA611034G	R:CARBON AXIAL LEAD (26)	10K 1/6W J TAPE	R396
AT379BHBAE	BRPA611034G	R:CARBON AXIAL LEAD (26)	10K 1/6W J TAPE	R397
AT379BHBAE	BRPA611034G	R:CARBON AXIAL LEAD (26)	10K 1/6W J TAPE	R398
AT379BHBAE	BRTG0582102	R:SEMI-FIXED	RT-582 PVZ3A102E01R00	RT203
AT379BHBAE	BRTG0582103	R:SEMI-FIXED	RT-582 PVZ3A103E01R00	RT201
AT379BHBAE	BRTG0582472	R:SEMI-FIXED	RT-582 PVZ3A472E01R00	RT001
AT379BHBAE	BRTG0582472	R:SEMI-FIXED	RT-582 PVZ3A472E01R00	RT002

AT379BHBAE	BRTG0582472	R:SEMI-FIXED	RT-582 PVZ3A472E01R00	RT202
AT379BHBAE	BRTG0582472	R:SEMI-FIXED	RT-582 PVZ3A472E01R00	RT204
AT379BHBAE	BRTG0582473	R:SEMI-FIXED	RT-582 PVZ3A473E01R00	RT205
AT379BHBAE	BTFG0083001	TRANSFORMER:AF CHOKE	TF-083	T301
AT379BHBAE	BTFG0577001	TRANS	TF-577	T201
AT379BHBAE	CUAH013011G	WIRE	UL 1007 #24 3-130- 3 GRY	W001
AT379BHBAE	CUAJ013011G	WIRE	UL 1007 #24 3-130- 3 WHT	W002
AT379BHBAE	CUPJ003511G	WIRE W-004	UL 1571 #26 3- 35- 3 WHT	W003
AT379BHBBE	BCML811035G	C:CERAMIC M/L (1608) TAPE	0.01UF 50V K B	C551
AT379BHBBE	BCML811035G	C:CERAMIC M/L (1608) TAPE	0.01UF 50V K B	C552
AT379BHBBE	BCML811035G	C:CERAMIC M/L (1608) TAPE	0.01UF 50V K B	C553
AT379BHBBE	BCML811035G	C:CERAMIC M/L (1608) TAPE	0.01UF 50V K B	C554
AT379BHBBE	BCML811035G	C:CERAMIC M/L (1608) TAPE	0.01UF 50V K B	C555
AT379BHBBE	BCML811035G	C:CERAMIC M/L (1608) TAPE	0.01UF 50V K B	C556
AT379BHBBE	BCML811035G	C:CERAMIC M/L (1608) TAPE	0.01UF 50V K B	C557
AT379BHBBE	BCML811035G	C:CERAMIC M/L (1608) TAPE	0.01UF 50V K B	C558
AT379BHBBE	BDLG0537001	LIQUID CRYSTAL DISPLAY	DL-537 912-442A-4115	DP551
AT379BHBBE	BLZG0207601	INDUCTOR:MOLDED CHIP	LZ-207 MMZ1608Y601BT 600	L551
AT379BHBBE	BLZG0207601	INDUCTOR:MOLDED CHIP	LZ-207 MMZ1608Y601BT 600	L552
AT379BHBBE	BLZG0207601	INDUCTOR:MOLDED CHIP	LZ-207 MMZ1608Y601BT 600	L553
AT379BHBBE	BLZG0207601	INDUCTOR:MOLDED CHIP	LZ-207 MMZ1608Y601BT 600	L554
AT379BHBBE	BPAG0450AA1	PCB:FRONT	PA-450AA 1/6	B551
AT379BHBBE	BRFC161024G	R:CARBON FIXED CHIP(1608)	1K 1/16W J TAPE	R553
AT379BHBBE	BRFC161024G	R:CARBON FIXED CHIP(1608)	1K 1/16W J TAPE	R554
AT379BHBBE	BRFC161024G	R:CARBON FIXED CHIP(1608)	1K 1/16W J TAPE	R555
AT379BHBBE	BRFC161024G	R:CARBON FIXED CHIP(1608)	1K 1/16W J TAPE	R556
AT379BHBBE	BRFC161024G	R:CARBON FIXED CHIP(1608)	1K 1/16W J TAPE	R557
AT379BHBBE	BRFC161024G	R:CARBON FIXED CHIP(1608)	1K 1/16W J TAPE	R558
AT379BHBBE	BRFC163914G	R:CARBON FIXED CHIP(1608)	390 1/16W J TAPE	R551
AT379BHBBE	BRFC163914G	R:CARBON FIXED CHIP(1608)	390 1/16W J TAPE	R552
AT379BHBBE	BSWG0877001	SWITCH:TACT	SW-877 TC-1105	S551
AT379BHBBE	BSWG0877001	SWITCH:TACT	SW-877 TC-1105	S552
AT379BHBBE	BSWG0877001	SWITCH:TACT	SW-877 TC-1105	S553
AT379BHBBE	BSWG0877001	SWITCH:TACT	SW-877 TC-1105	S554
AT379BHBBE	BSWG0877001	SWITCH:TACT	SW-877 TC-1105	S555
AT379BHBBE	BSWG0877001	SWITCH:TACT	SW-877 TC-1105	S556
AT379BHBCE	BPAG0450AA2	PCB:VOLSQ	PA-450AA 2/6	B601
AT379BHBCE	BRVG1013001	VOLUME	RV-1013 TP96D00N 33F B502 _ A503	VR601
AT379BHBCE	BWFG3860809	FLAT CABLE	WF-386 3-80-3 6P	FC601
AT379BHBDE	BPAG0450AA4	PCB:RF VOL	PA-450AA 4/6	B651
AT379BHBDE	BRVG1019001	VOLUME	RV-1019 TP96N00 25.5F B502	VR651
AT379BHBDE	BWFG3820359	FLAT CABLE	WF-382 3-35-3 2P	FC651
AT379BHBEE	BCML811035G	C:CERAMIC M/L (1608) TAPE	0.01UF 50V K B	C701
AT379BHBEE	BCML811035G	C:CERAMIC M/L (1608) TAPE	0.01UF 50V K B	C702
AT379BHBEE	BPAG0450AA3	PCB:CH SW	PA-450AA 3/6	B701
AT379BHBEE	BRFC161024G	R:CARBON FIXED CHIP(1608)	1K 1/16W J TAPE	R701
AT379BHBEE	BRFC161024G	R:CARBON FIXED CHIP(1608)	1K 1/16W J TAPE	R702
AT379BHBEE	BSRG0470001	SW:ROTARY	SR-470	S701
AT379BHBEE	BWFG3830509	FLAT CABLE	WF-383 3-50-3 3P	FC701
AT379BHBFE	BDAG1031001	DIODE:LED	LTST-C190KFKT	D801
AT379BHBFE	BDAG1031001	DIODE:LED	LTST-C190KFKT	D802
AT379BHBFE	BPAG0450AA5	PCB:LED L	PA-450AA 5/6	B801
AT379BHBGE	BDAG1031001	DIODE:LED	LTST-C190KFKT	D851
AT379BHBGE	BDAG1031001	DIODE:LED	LTST-C190KFKT	D852

AT379BHBGE	BPAG0450AA6	PCB:LED R	PA-450AA 6/6	B851
AT379BHBYE	BDBK1134117	TRANSISTOR	DB-129 2SB1134-R	Q501
AT379BHBYE	BDCN0336001	FIELD EFFECT TRANSISTOR	DC-336 RD06HHF1-101	Q502
AT379BHBYE	BDEG0924001	INTEGRATED CIRCUIT	L7808CV	IC502
AT379BHBYE	BDEG4462001	INTEGRATED CIRCUIT	E-TDA2003V	IC501
AT379BHBYE	BJKG1382002	JACK:ANT W/O LUG	JK-1382 M-RM-L 102	J501
AT379BHBYE	BJKG1547001	JACK	JK-1547	J551
AT379BHBYE	BSPG0474001	SPEAKER	SP-474 YD77A-64F8	SP501
AT379BHBYE	BWZY1105001	CORD:DC CORD	WZ-1105 1500 W/P	WA501

MODEL HARRY III ASC

ASSY CODE	PARTS CODE	DESCRIPTION	SPEC	REFNO
AT379ZHBAE	BPAG0449AAZ	PCB:MAIN	PA-449AA	B001
AT379ZHBBE	BPAG0450AA1	PCB:FRONT	PA-450AA 1/6	B551
AT379ZHBCE	BPAG0450AA2	PCB:VOLSQ	PA-450AA 2/6	B601
AT379ZHBDE	BPAG0450AA4	PCB:RF VOL	PA-450AA 4/6	B651
AT379ZHBEE	BPAG0450AA3	PCB:CH SW	PA-450AA 3/6	B701
AT379ZHBFE	BPAG0450AA5	PCB:LED L	PA-450AA 5/6	B801
AT379ZHBGE	BPAG0450AA6	PCB:LED R	PA-450AA 6/6	B851
AT379ZHBAE	BCMM811504G	C:CERAMIC M/L (1608) TAPE	15PF 50V J CH	C001
AT379ZHBAE	BCHL811006G	C:ELECTROLYTIC	10UF 50V M C-411	C002
AT379ZHBAE	BCML811025G	C:CERAMIC M/L (1608) TAPE	0.001UF 50V K B	C003
AT379ZHBAE	BCML811025G	C:CERAMIC M/L (1608) TAPE	0.001UF 50V K B	C004
AT379ZHBAE	BCML811035G	C:CERAMIC M/L (1608) TAPE	0.01UF 50V K B	C006
AT379ZHBAE	BCML811035G	C:CERAMIC M/L (1608) TAPE	0.01UF 50V K B	C007
AT379ZHBAE	BCML901055G	C:CERAMIC M/L (1608) TAPE	1UF 6.3V K B	C008
AT379ZHBAE	BCML811035G	C:CERAMIC M/L (1608) TAPE	0.01UF 50V K B	C009
AT379ZHBAE	BCHL514706G	C:ELECTROLYTIC	47UF 25V M C-411	C011
AT379ZHBAE	BCML811035G	C:CERAMIC M/L (1608) TAPE	0.01UF 50V K B	C012
AT379ZHBAE	BCML811035G	C:CERAMIC M/L (1608) TAPE	0.01UF 50V K B	C013
AT379ZHBAE	BCMM813098G	C: CERAMIC M/L (1608) TAPE	3PF 50V B CH	C014
AT379ZHBAE	BCMM812704G	C:CERAMIC M/L (1608) TAPE	27PF 50V J CH	C015
AT379ZHBAE	BCML811035G	C:CERAMIC M/L (1608) TAPE	0.01UF 50V K B	C016
AT379ZHBAE	BCML811035G	C:CERAMIC M/L (1608) TAPE	0.01UF 50V K B	C017
AT379ZHBAE	BCML811025G	C:CERAMIC M/L (1608) TAPE	0.001UF 50V K B	C018
AT379ZHBAE	BCML811035G	C:CERAMIC M/L (1608) TAPE	0.01UF 50V K B	C019
AT379ZHBAE	BCML811035G	C:CERAMIC M/L (1608) TAPE	0.01UF 50V K B	C021
AT379ZHBAE	BCML811035G	C:CERAMIC M/L (1608) TAPE	0.01UF 50V K B	C022
AT379ZHBAE	BCML811035G	C:CERAMIC M/L (1608) TAPE	0.01UF 50V K B	C023
AT379ZHBAE	BCMM813098G	C: CERAMIC M/L (1608) TAPE	3PF 50V B CH	C025
AT379ZHBAE	BCML311045G	C:CERAMIC M/L (1608) TAPE	0.1UF 16V K B	C026
AT379ZHBAE	BCML311045G	C:CERAMIC M/L (1608) TAPE	0.1UF 16V K B	C027
AT379ZHBAE	BCML311045G	C:CERAMIC M/L (1608) TAPE	0.1UF 16V K B	C028
AT379ZHBAE	BCML311045G	C:CERAMIC M/L (1608) TAPE	0.1UF 16V K B	C029
AT379ZHBAE	BCML811035G	C:CERAMIC M/L (1608) TAPE	0.01UF 50V K B	C031
AT379ZHBAE	BCML311045G	C:CERAMIC M/L (1608) TAPE	0.1UF 16V K B	C032
AT379ZHBAE	BCML311045G	C:CERAMIC M/L (1608) TAPE	0.1UF 16V K B	C033
AT379ZHBAE	BCML311045G	C:CERAMIC M/L (1608) TAPE	0.1UF 16V K B	C034
AT379ZHBAE	BCML311045G	C:CERAMIC M/L (1608) TAPE	0.1UF 16V K B	C035
AT379ZHBAE	BCMM814704G	C:CERAMIC M/L (1608) TAPE	47PF 50V J CH	C036
AT379ZHBAE	BCMM813314G	C:CERAMIC M/L (1608) TAPE	330PF 50V J CH	C037
AT379ZHBAE	BCMM812214G	C:CERAMIC M/L (1608) TAPE	220PF 50V J CH	C039
AT379ZHBAE	BCML901055G	C:CERAMIC M/L (1608) TAPE	1UF 6.3V K B	C041
AT379ZHBAE	BCML812225G	C:CERAMIC M/L (1608) TAPE	0.0022UF 50V K B	C042
AT379ZHBAE	BCML311045G	C:CERAMIC M/L (1608) TAPE	0.1UF 16V K B	C044
AT379ZHBAE	BCML311045G	C:CERAMIC M/L (1608) TAPE	0.1UF 16V K B	C046
AT379ZHBAE	BCML812235G	C:CERAMIC M/L (1608) TAPE	0.022UF 50V K B	C047
AT379ZHBAE	BCML811025G	C:CERAMIC M/L (1608) TAPE	0.001UF 50V K B	C048
AT379ZHBAE	BCML901055G	C:CERAMIC M/L (1608) TAPE	1UF 6.3V K B	C049
AT379ZHBAE	BCML112216G	C:ELECTROLYTIC	220UF 10V M C-411	C050
AT379ZHBAE	BCML311045G	C:CERAMIC M/L (1608) TAPE	0.1UF 16V K B	C051
AT379ZHBAE	BCML811035G	C:CERAMIC M/L (1608) TAPE	0.01UF 50V K B	C052
AT379ZHBAE	BCML311045G	C:CERAMIC M/L (1608) TAPE	0.1UF 16V K B	C053
AT379ZHBAE	BCML311045G	C:CERAMIC M/L (1608) TAPE	0.1UF 16V K B	C054

AT379ZHBAE	BCML311045G	C:CERAMIC M/L (1608) TAPE	0.1UF 16V K B	C055
AT379ZHBAE	BCML814735G	C:CERAMIC M/L (1608) TAPE	0.047UF 50V K B	C056
AT379ZHBAE	BCML311045G	C:CERAMIC M/L (1608) TAPE	0.1UF 16V K B	C057
AT379ZHBAE	BCML811025G	C:CERAMIC M/L (1608) TAPE	0.001UF 50V K B	C058
AT379ZHBAE	BCML311045G	C:CERAMIC M/L (1608) TAPE	0.1UF 16V K B	C059
AT379ZHBAE	BCML814725G	C:CERAMIC M/L (1608) TAPE	0.0047UF 50V K B	C061
AT379ZHBAE	BCHL514706G	C:ELECTROLYTIC	47UF 25V M C-411	C062
AT379ZHBAE	BCML311045G	C:CERAMIC M/L (1608) TAPE	0.1UF 16V K B	C063
AT379ZHBAE	BCML311045G	C:CERAMIC M/L (1608) TAPE	0.1UF 16V K B	C064
AT379ZHBAE	BCHL314716G	C:ELECTROLYTIC	470UF 16V M C-411	C065
AT379ZHBAE	BCML811025G	C:CERAMIC M/L (1608) TAPE	0.001UF 50V K B	C066
AT379ZHBAE	BCML811025G	C:CERAMIC M/L (1608) TAPE	0.001UF 50V K B	C067
AT379ZHBAE	BCML811025G	C:CERAMIC M/L (1608) TAPE	0.001UF 50V K B	C069
AT379ZHBAE	BCML311045G	C:CERAMIC M/L (1608) TAPE	0.1UF 16V K B	C071
AT379ZHBAE	BCML311045G	C:CERAMIC M/L (1608) TAPE	0.1UF 16V K B	C072
AT379ZHBAE	BCMM811002G	C:CERAMIC M/L (1608) TAPE	10PF 50V D CH	C100
AT379ZHBAE	BCMM815091G	C: CERAMIC M/L (1608) TAPE	5PF 50V C CH	C101
AT379ZHBAE	BCML811035G	C:CERAMIC M/L (1608) TAPE	0.01UF 50V K B	C104
AT379ZHBAE	BCMM811014G	C:CERAMIC M/L (1608) TAPE	100PF 50V J CH	C105
AT379ZHBAE	BCMM812204G	C:CERAMIC M/L (1608) TAPE	22PF 50V J CH	C106
AT379ZHBAE	BCML811025G	C:CERAMIC M/L (1608) TAPE	0.001UF 50V K B	C107
AT379ZHBAE	BCMM812204G	C:CERAMIC M/L (1608) TAPE	22PF 50V J CH	C108
AT379ZHBAE	BCML811025G	C:CERAMIC M/L (1608) TAPE	0.001UF 50V K B	C111
AT379ZHBAE	BCMM811014G	C:CERAMIC M/L (1608) TAPE	100PF 50V J CH	C112
AT379ZHBAE	BCML811025G	C:CERAMIC M/L (1608) TAPE	0.001UF 50V K B	C113
AT379ZHBAE	BCMM811014G	C:CERAMIC M/L (1608) TAPE	100PF 50V J CH	C201
AT379ZHBAE	BCMM811814G	C:CERAMIC M/L (1608) TAPE	180PF 50V J CH	C202
AT379ZHBAE	BCMM811804G	C:CERAMIC M/L (1608) TAPE	18PF 50V J CH	C203
AT379ZHBAE	BCMM811814G	C:CERAMIC M/L (1608) TAPE	180PF 50V J CH	C204
AT379ZHBAE	BCMM811204G	C:CERAMIC M/L (1608) TAPE	12PF 50V J CH	C205
AT379ZHBAE	BCMM811514G	C:CERAMIC M/L (1608) TAPE	150PF 50V J CH	C206
AT379ZHBAE	BCMM811504G	C:CERAMIC M/L (1608) TAPE	15PF 50V J CH	C207
AT379ZHBAE	BCMM811014G	C:CERAMIC M/L (1608) TAPE	100PF 50V J CH	C208
AT379ZHBAE	BCMM811014G	C:CERAMIC M/L (1608) TAPE	100PF 50V J CH	C209
AT379ZHBAE	BCMM816814G	C:CERAMIC M/L (1608) TAPE	680PF 50V J CH	C211
AT379ZHBAE	BCMM816814G	C:CERAMIC M/L (1608) TAPE	680PF 50V J CH	C212
AT379ZHBAE	BCMM811014G	C:CERAMIC M/L (1608) TAPE	100PF 50V J CH	C213
AT379ZHBAE	BCMM812098G	C: CERAMIC M/L (1608) TAPE	2PF 50V B CH	C214
AT379ZHBAE	BCML311045G	C:CERAMIC M/L (1608) TAPE	0.1UF 16V K B	C215
AT379ZHBAE	BCML811035G	C:CERAMIC M/L (1608) TAPE	0.01UF 50V K B	C216
AT379ZHBAE	BCML811035G	C:CERAMIC M/L (1608) TAPE	0.01UF 50V K B	C217
AT379ZHBAE	BCML811035G	C:CERAMIC M/L (1608) TAPE	0.01UF 50V K B	C218
AT379ZHBAE	BCMM812214G	C:CERAMIC M/L (1608) TAPE	220PF 50V J CH	C219
AT379ZHBAE	BCMM811504G	C:CERAMIC M/L (1608) TAPE	15PF 50V J CH	C220
AT379ZHBAE	BCML811035G	C:CERAMIC M/L (1608) TAPE	0.01UF 50V K B	C221
AT379ZHBAE	BCML814725G	C:CERAMIC M/L (1608) TAPE	0.0047UF 50V K B	C222
AT379ZHBAE	BCMM811504G	C:CERAMIC M/L (1608) TAPE	15PF 50V J CH	C223
AT379ZHBAE	BCMM813304G	C:CERAMIC M/L (1608) TAPE	33PF 50V J CH	C224
AT379ZHBAE	BCML811035G	C:CERAMIC M/L (1608) TAPE	0.01UF 50V K B	C225
AT379ZHBAE	BCML311045G	C:CERAMIC M/L (1608) TAPE	0.1UF 16V K B	C226
AT379ZHBAE	BCMM811514G	C:CERAMIC M/L (1608) TAPE	150PF 50V J CH	C227
AT379ZHBAE	BCMM814704G	C:CERAMIC M/L (1608) TAPE	47PF 50V J CH	C228
AT379ZHBAE	BCML811035G	C:CERAMIC M/L (1608) TAPE	0.01UF 50V K B	C229
AT379ZHBAE	BCML811025G	C:CERAMIC M/L (1608) TAPE	0.001UF 50V K B	C230

AT379ZHBAE	BCML901055G	C:CERAMIC M/L (1608) TAPE	1UF 6.3V K B	C231
AT379ZHBAE	BCML811035G	C:CERAMIC M/L (1608) TAPE	0.01UF 50V K B	C232
AT379ZHBAE	BCMM813314G	C:CERAMIC M/L (1608) TAPE	330PF 50V J CH	C234
AT379ZHBAE	BCML311045G	C:CERAMIC M/L (1608) TAPE	0.1UF 16V K B	C235
AT379ZHBAE	BCML311045G	C:CERAMIC M/L (1608) TAPE	0.1UF 16V K B	C236
AT379ZHBAE	BCML311045G	C:CERAMIC M/L (1608) TAPE	0.1UF 16V K B	C237
AT379ZHBAE	BCML311045G	C:CERAMIC M/L (1608) TAPE	0.1UF 16V K B	C238
AT379ZHBAE	BCML811025G	C:CERAMIC M/L (1608) TAPE	0.001UF 50V K B	C239
AT379ZHBAE	BCML311045G	C:CERAMIC M/L (1608) TAPE	0.1UF 16V K B	C240
AT379ZHBAE	BCML311045G	C:CERAMIC M/L (1608) TAPE	0.1UF 16V K B	C241
AT379ZHBAE	BCML811035G	C:CERAMIC M/L (1608) TAPE	0.01UF 50V K B	C242
AT379ZHBAE	BCML811025G	C:CERAMIC M/L (1608) TAPE	0.001UF 50V K B	C243
AT379ZHBAE	BCML311045G	C:CERAMIC M/L (1608) TAPE	0.1UF 16V K B	C245
AT379ZHBAE	BCHL112216G	C:ELECTROLYTIC	220UF 10V M C-411	C246
AT379ZHBAE	BCHL114716G	C:ELECTROLYTIC	470UF 10V M C-411	C247
AT379ZHBAE	BCML311045G	C:CERAMIC M/L (1608) TAPE	0.1UF 16V K B	C248
AT379ZHBAE	BCML901055G	C:CERAMIC M/L (1608) TAPE	1UF 6.3V K B	C249
AT379ZHBAE	BCML811035G	C:CERAMIC M/L (1608) TAPE	0.01UF 50V K B	C250
AT379ZHBAE	BCMM813314G	C:CERAMIC M/L (1608) TAPE	330PF 50V J CH	C251
AT379ZHBAE	BCMM818214G	C:CERAMIC M/L (1608) TAPE	820PF 50V J CH	C252
AT379ZHBAE	BCML311045G	C:CERAMIC M/L (1608) TAPE	0.1UF 16V K B	C253
AT379ZHBAE	BCMM814704G	C:CERAMIC M/L (1608) TAPE	47PF 50V J CH	C254
AT379ZHBAE	BCML814735G	C:CERAMIC M/L (1608) TAPE	0.047UF 50V K B	C255
AT379ZHBAE	BCML311045G	C:CERAMIC M/L (1608) TAPE	0.1UF 16V K B	C256
AT379ZHBAE	BCML811035G	C:CERAMIC M/L (1608) TAPE	0.01UF 50V K B	C257
AT379ZHBAE	BCML811025G	C:CERAMIC M/L (1608) TAPE	0.001UF 50V K B	C258
AT379ZHBAE	BCMM815091G	C: CERAMIC M/L (1608) TAPE	5PF 50V C CH	C259
AT379ZHBAE	BCMM811014G	C:CERAMIC M/L (1608) TAPE	100PF 50V J CH	C260
AT379ZHBAE	BCML811035G	C:CERAMIC M/L (1608) TAPE	0.01UF 50V K B	C261
AT379ZHBAE	BCML811035G	C:CERAMIC M/L (1608) TAPE	0.01UF 50V K B	C262
AT379ZHBAE	BCHL514706G	C:ELECTROLYTIC	47UF 25V M C-411	C263
AT379ZHBAE	BCML811035G	C:CERAMIC M/L (1608) TAPE	0.01UF 50V K B	C301
AT379ZHBAE	BCML811035G	C:CERAMIC M/L (1608) TAPE	0.01UF 50V K B	C302
AT379ZHBAE	BCML811025G	C:CERAMIC M/L (1608) TAPE	0.001UF 50V K B	C303
AT379ZHBAE	BCJW511026G	C:ELECTROLYTIC	1000UF 25V M C-440	C304
AT379ZHBAE	BCHL112216G	C:ELECTROLYTIC	220UF 10V M C-411	C305
AT379ZHBAE	BCML811035G	C:CERAMIC M/L (1608) TAPE	0.01UF 50V K B	C306
AT379ZHBAE	BCML811035G	C:CERAMIC M/L (1608) TAPE	0.01UF 50V K B	C307
AT379ZHBAE	BCML811025G	C:CERAMIC M/L (1608) TAPE	0.001UF 50V K B	C308
AT379ZHBAE	BCML811035G	C:CERAMIC M/L (1608) TAPE	0.01UF 50V K B	C309
AT379ZHBAE	BCML811035G	C:CERAMIC M/L (1608) TAPE	0.01UF 50V K B	C310
AT379ZHBAE	BCHL111016G	C:ELECTROLYTIC	100UF 10V M C-411	C311
AT379ZHBAE	BCML811035G	C:CERAMIC M/L (1608) TAPE	0.01UF 50V K B	C312
AT379ZHBAE	BCMM815091G	C: CERAMIC M/L (1608) TAPE	5PF 50V C CH	C313
AT379ZHBAE	BCMM812204G	C:CERAMIC M/L (1608) TAPE	22PF 50V J CH	C314
AT379ZHBAE	BCMM811514G	C:CERAMIC M/L (1608) TAPE	150PF 50V J CH	C315
AT379ZHBAE	BCMM811514G	C:CERAMIC M/L (1608) TAPE	150PF 50V J CH	C316
AT379ZHBAE	BCML811035G	C:CERAMIC M/L (1608) TAPE	0.01UF 50V K B	C317
AT379ZHBAE	BCML311045G	C:CERAMIC M/L (1608) TAPE	0.1UF 16V K B	C318
AT379ZHBAE	BCML811035G	C:CERAMIC M/L (1608) TAPE	0.01UF 50V K B	C319
AT379ZHBAE	BCHL111016G	C:ELECTROLYTIC	100UF 10V M C-411	C321
AT379ZHBAE	BCSH662286G	CAPACITOR:TANTALUM CHIP	0.22UF 35V M C-122 TAPE	C322
AT379ZHBAE	BCSH312296G	C:TANTALUM CHIP TAPE	2.2UF 16V M C-122 TAPE	C323
AT379ZHBAE	BCML814725G	C:CERAMIC M/L (1608) TAPE	0.0047UF 50V K B	C324

AT379ZHBAE	BCMM818092G	C: CERAMIC M/L (1608) TAPE	8PF 50V D CH	C325
AT379ZHBAE	BCMM812704G	C: CERAMIC M/L (1608) TAPE	27PF 50V J CH	C326
AT379ZHBAE	BCMM811002G	C: CERAMIC M/L (1608) TAPE	10PF 50V D CH	C327
AT379ZHBAE	BCML811035G	C: CERAMIC M/L (1608) TAPE	0.01UF 50V K B	C331
AT379ZHBAE	BCML811035G	C: CERAMIC M/L (1608) TAPE	0.01UF 50V K B	C332
AT379ZHBAE	BCHL111026G	C: ELECTROLYTIC	1000UF 10V M C-411	C333
AT379ZHBAE	BCML311045G	C: CERAMIC M/L (1608) TAPE	0.1UF 16V K B	C334
AT379ZHBAE	BCML311045G	C: CERAMIC M/L (1608) TAPE	0.1UF 16V K B	C335
AT379ZHBAE	BCHL111016G	C: ELECTROLYTIC	100UF 10V M C-411	C336
AT379ZHBAE	BCML311045G	C: CERAMIC M/L (1608) TAPE	0.1UF 16V K B	C337
AT379ZHBAE	BCML311045G	C: CERAMIC M/L (1608) TAPE	0.1UF 16V K B	C338
AT379ZHBAE	BCML811035G	C: CERAMIC M/L (1608) TAPE	0.01UF 50V K B	C339
AT379ZHBAE	BCML811035G	C: CERAMIC M/L (1608) TAPE	0.01UF 50V K B	C341
AT379ZHBAE	BCMM812204G	C: CERAMIC M/L (1608) TAPE	22PF 50V J CH	C342
AT379ZHBAE	BCMM812204G	C: CERAMIC M/L (1608) TAPE	22PF 50V J CH	C343
AT379ZHBAE	BCML811035G	C: CERAMIC M/L (1608) TAPE	0.01UF 50V K B	C344
AT379ZHBAE	BCML311045G	C: CERAMIC M/L (1608) TAPE	0.1UF 16V K B	C345
AT379ZHBAE	BCML311045G	C: CERAMIC M/L (1608) TAPE	0.1UF 16V K B	C346
AT379ZHBAE	BCML811025G	C: CERAMIC M/L (1608) TAPE	0.001UF 50V K B	C347
AT379ZHBAE	BCML901055G	C: CERAMIC M/L (1608) TAPE	1UF 6.3V K B	C348
AT379ZHBAE	BCMM814714G	C: CERAMIC M/L (1608) TAPE	470PF 50V J CH	C401
AT379ZHBAE	BCMM814714G	C: CERAMIC M/L (1608) TAPE	470PF 50V J CH	C402
AT379ZHBAE	BCMM812714G	C: CERAMIC M/L (1608) TAPE	270PF 50V J CH	C403
AT379ZHBAE	BCMM814714G	C: CERAMIC M/L (1608) TAPE	470PF 50V J CH	C404
AT379ZHBAE	BCML311045G	C: CERAMIC M/L (1608) TAPE	0.1UF 16V K B	C405
AT379ZHBAE	BCMM812714G	C: CERAMIC M/L (1608) TAPE	270PF 50V J CH	C406
AT379ZHBAE	BCML311045G	C: CERAMIC M/L (1608) TAPE	0.1UF 16V K B	C407
AT379ZHBAE	BCML311045G	C: CERAMIC M/L (1608) TAPE	0.1UF 16V K B	C408
AT379ZHBAE	BCML901055G	C: CERAMIC M/L (1608) TAPE	1UF 6.3V K B	C409
AT379ZHBAE	BCML311045G	C: CERAMIC M/L (1608) TAPE	0.1UF 16V K B	C410
AT379ZHBAE	BCML901055G	C: CERAMIC M/L (1608) TAPE	1UF 6.3V K B	C411
AT379ZHBBE	BCML811035G	C: CERAMIC M/L (1608) TAPE	0.01UF 50V K B	C551
AT379ZHBBE	BCML811035G	C: CERAMIC M/L (1608) TAPE	0.01UF 50V K B	C552
AT379ZHBBE	BCML811035G	C: CERAMIC M/L (1608) TAPE	0.01UF 50V K B	C553
AT379ZHBBE	BCML811035G	C: CERAMIC M/L (1608) TAPE	0.01UF 50V K B	C554
AT379ZHBBE	BCML811035G	C: CERAMIC M/L (1608) TAPE	0.01UF 50V K B	C555
AT379ZHBBE	BCML811035G	C: CERAMIC M/L (1608) TAPE	0.01UF 50V K B	C556
AT379ZHBBE	BCML811035G	C: CERAMIC M/L (1608) TAPE	0.01UF 50V K B	C557
AT379ZHBBE	BCML811035G	C: CERAMIC M/L (1608) TAPE	0.01UF 50V K B	C558
AT379ZHBE	BCML811035G	C: CERAMIC M/L (1608) TAPE	0.01UF 50V K B	C701
AT379ZHBE	BCML811035G	C: CERAMIC M/L (1608) TAPE	0.01UF 50V K B	C702
AT379ZHBAE	BCTG0076450	C: TRIMMER CT-076	TZ03P450F169B00 45PF	CT301
AT379ZHBAE	BDAG0808001	DIODE: SWITCHING	1SS356 TW11	D001
AT379ZHBAE	BDAG0808001	DIODE: SWITCHING	1SS356 TW11	D002
AT379ZHBAE	BDAG1414001	DIODE	DA-1414 LL34LL4148	D003
AT379ZHBAE	BDAG1414001	DIODE	DA-1414 LL34LL4148	D004
AT379ZHBAE	BDAG1414001	DIODE	DA-1414 LL34LL4148	D005
AT379ZHBAE	BDAG1414001	DIODE	DA-1414 LL34LL4148	D006
AT379ZHBAE	BDAG1414001	DIODE	DA-1414 LL34LL4148	D007
AT379ZHBAE	BDAG1285001	DIODE	HSM88AS TL-E	D008
AT379ZHBAE	BDAG1414001	DIODE	DA-1414 LL34LL4148	D009
AT379ZHBAE	BDAG1414001	DIODE	DA-1414 LL34LL4148	D011
AT379ZHBAE	BDAG1414001	DIODE	DA-1414 LL34LL4148	D012
AT379ZHBAE	BDAG1414001	DIODE	DA-1414 LL34LL4148	D013

AT379ZHBAE	BDAG1285001	DIODE	HSM88AS TL-E	D101
AT379ZHBAE	BDAG1270001	DIODE	KDS160E-RTK/P	D201
AT379ZHBAE	BDAG1423007	DIODE:ZENER	HZK7C	D202
AT379ZHBAE	BDAG1265001	DIODE	DA-1265 1SS226(TE85L_F)	D203
AT379ZHBAE	BDAG1414001	DIODE	DA-1414 LL34LL4148	D204
AT379ZHBAE	BDAG1220016	DIODE:ZENER	UDZS F 3.0B TE-17	D205
AT379ZHBAE	BDAG1280001	DIODE:VARICAP	HVU307 TRU-E	D207
AT379ZHBAE	BDAG1414001	DIODE	DA-1414 LL34LL4148	D208
AT379ZHBAE	BDAG1349001	DIODE	GD 1N4003-A2	D209
AT379ZHBAE	BDAG1414001	DIODE	DA-1414 LL34LL4148	D211
AT379ZHBAE	BDAG1423007	DIODE:ZENER	HZK7C	D212
AT379ZHBAE	BDAG1423007	DIODE:ZENER	HZK7C	D213
AT379ZHBAE	BDAG1355001	DIODE	SDB30A40	D301
AT379ZHBAE	BDAG1414001	DIODE	DA-1414 LL34LL4148	D302
AT379ZHBAE	BDAG1423002	DIODE:ZENER	HZK5C	D303
AT379ZHBAE	BDAG1280001	DIODE:VARICAP	HVU307 TRU-E	D304
AT379ZHBAE	BDAG1280001	DIODE:VARICAP	HVU307 TRU-E	D305
AT379ZHBAE	BDAG1414001	DIODE	DA-1414 LL34LL4148	D306
AT379ZHBAE	BDAG1265001	DIODE	DA-1265 1SS226(TE85L_F)	D401
AT379ZHBAE	BDAG1414001	DIODE	DA-1414 LL34LL4148	D402
AT379ZHBE	BDAG1031001	DIODE:LED	LTST-C190KFKT	D801
AT379ZHBE	BDAG1031001	DIODE:LED	LTST-C190KFKT	D802
AT379ZHBGE	BDAG1031001	DIODE:LED	LTST-C190KFKT	D851
AT379ZHBGE	BDAG1031001	DIODE:LED	LTST-C190KFKT	D852
AT379ZHBDE	BDLG0537001	LIQUID CRYSTAL DISPLAY	DL-537 912-442A-4115	DP551
AT379ZHBCE	BWFG3860809	FLAT CABLE	WF-386 3-80-3 6P	FC601
AT379ZHBDE	BWFG3820359	FLAT CABLE	WF-382 3-35-3 2P	FC651
AT379ZHBEE	BWFG3830509	FLAT CABLE	WF-383 3-50-3 3P	FC701
AT379ZHBAE	BFLG1087001	FILTER:CRYSTAL	FL-1087 10M07AZ	FT001
AT379ZHBAE	BFLG0852001	FILTER:CERAMIC	FL-852 LTS455HTW	FT002
AT379ZHBAE	BDEG4222003	INTEGRATED CIRCUIT	TK83361MTL-G	IC001
AT379ZHBAE	BDEG4463003	INTEGRATED CIRCUIT	NJM12904R-TE1-#ZZZB	IC002
AT379ZHBAE	BDEG4463003	INTEGRATED CIRCUIT	NJM12904R-TE1-#ZZZB	IC201
AT379ZHBAE	BDEG5076001	INTEGRATED CIRCUIT	M38D58G8HP	IC301
AT379ZHBAE	BDEG5009003	INTEGRATED CIRCUIT	AT24C02BN-SH-T	IC302
AT379ZHBAE	BDEG4680003	INTEGRATED CIRCUIT	XC6109C43ANR	IC303
AT379ZHBAE	BDEG4251003	INTEGRATED CIRCUIT	RH5RL50AA-T1-FA	IC304
AT379ZHBAE	BDEG2769003	INTEGRATED CIRCUIT	BU2630F-E2	IC305
AT379ZHBAE	BDEG4636003	INTEGRATED CIRCUIT	TC4066BF(EL_N_F)	IC306
AT379ZHBAE	BDEG4463003	INTEGRATED CIRCUIT	NJM12904R-TE1-#ZZZB	IC401
AT379ZHBYE	BDEG4462001	INTEGRATED CIRCUIT	E-TDA2003V	IC501
AT379ZHBYE	BDEG0924001	INTEGRATED CIRCUIT	L7808CV	IC502
AT379ZHBAE	BJKG1310001	JACK:EARPHONE	JK-1310 PJ-305C	J001
AT379ZHBAE	BJKG1435001	JACK:MIC	JK-1435 EJM-3-0125N	J201
AT379ZHBAE	BJKG1249003	JACK	JK-1249 IMSA-9210B-1-03Z058-PT1	J301
AT379ZHBYE	BJKG1382002	JACK:ANT W/O LUG	JK-1382 M-RM-L 102	J501
AT379ZHBYE	BJKG1547001	JACK	JK-1547	J551
AT379ZHBAE	BLBG1285001	COIL	LB-1285	L001
AT379ZHBAE	BLBH1153001	COIL	LB-1153 KS2485NC	L002
AT379ZHBAE	BLBH1239001	COIL	LB-1239 KS2585N	L003
AT379ZHBAE	BLBG1276001	COIL	LB-1276	L004
AT379ZHBAE	BLBH1272001	COIL	LB-1272 7MK4A035A	L006
AT379ZHBAE	BLBH1272001	COIL	LB-1272 7MK4A035A	L007
AT379ZHBAE	BLBG1225001	COIL	LB-1225 #7002BE-A0026HM	L008

AT379ZHBAE	BLZG0207601	INDUCTOR:MOLDED CHIP	LZ-207 MMZ1608Y601BT 600	L009
AT379ZHBAE	BLZG0207601	INDUCTOR:MOLDED CHIP	LZ-207 MMZ1608Y601BT 600	L010
AT379ZHBAE	BLZG0226220	INDUCTOR:MOLDED CHIP	LZ-226 SGM1608N220K T	L101
AT379ZHBAE	BLDH0252001	COIL	LD-252 SZFDLLD-252	L200
AT379ZHBAE	BLEH0475001	COIL	LE-475 SZFDLLE-475	L201
AT379ZHBAE	BLEH0475001	COIL	LE-475 SZFDLLE-475	L202
AT379ZHBAE	BLEH0475001	COIL	LE-475 SZFDLLE-475	L203
AT379ZHBAE	BLEH0475001	COIL	LE-475 SZFDLLE-475	L204
AT379ZHBAE	BLEG0600001	COIL	LE-0600	L205
AT379ZHBAE	BLEH0475001	COIL	LE-475 SZFDLLE-475	L206
AT379ZHBAE	BLZG0278478	INDUCTOR:MOLDED CHIP	LZ-278 LLQ2012-FR47J 470NH	L207
AT379ZHBAE	BLEG0600001	COIL	LE-0600	L208
AT379ZHBAE	BLZG0207601	INDUCTOR:MOLDED CHIP	LZ-207 MMZ1608Y601BT 600	L209
AT379ZHBAE	BLZG0278398	INDUCTOR:MOLDED CHIP	LZ-278 LLQ2012-FR39J 390NH	L211
AT379ZHBAE	BLZG0207601	INDUCTOR:MOLDED CHIP	LZ-207 MMZ1608Y601BT 600	L212
AT379ZHBAE	BLZG0207601	INDUCTOR:MOLDED CHIP	LZ-207 MMZ1608Y601BT 600	L213
AT379ZHBAE	BLDG0087001	COIL	LD-087 L5RH3X5X1	L301
AT379ZHBAE	BLDG0087001	COIL	LD-087 L5RH3X5X1	L302
AT379ZHBAE	BLZG0278398	INDUCTOR:MOLDED CHIP	LZ-278 LLQ2012-FR39J 390NH	L303
AT379ZHBAE	BLZG0278338	INDUCTOR:MOLDED CHIP	LZ-278 LLQ2012-FR33J 330NH	L304
AT379ZHBBE	BLZG0207601	INDUCTOR:MOLDED CHIP	LZ-207 MMZ1608Y601BT 600	L551
AT379ZHBBE	BLZG0207601	INDUCTOR:MOLDED CHIP	LZ-207 MMZ1608Y601BT 600	L552
AT379ZHBBE	BLZG0207601	INDUCTOR:MOLDED CHIP	LZ-207 MMZ1608Y601BT 600	L553
AT379ZHBBE	BLZG0207601	INDUCTOR:MOLDED CHIP	LZ-207 MMZ1608Y601BT 600	L554
AT379ZHBAE	BPGG0185001	PLUG	PG-185 IMSA-9215H-T	PG301
AT379ZHBAE	BDBL2714124	TRANSISTOR	DB-718 2SC2714-Y (TE85L_F)	Q001
AT379ZHBAE	BDCK0210303	FIELD EFFECT TRANSISTOR	DC-310 2SK210-GR(TE85L_F)	Q002
AT379ZHBAE	BDCK0210303	FIELD EFFECT TRANSISTOR	DC-310 2SK210-GR(TE85L_F)	Q003
AT379ZHBAE	BDBL2714124	TRANSISTOR	DB-718 2SC2714-Y (TE85L_F)	Q004
AT379ZHBAE	BDBN1259001	TRANSISTOR	DB-1259 KTC3875S-GR-RTK/P TAPE	Q005
AT379ZHBAE	BDBN1259001	TRANSISTOR	DB-1259 KTC3875S-GR-RTK/P TAPE	Q006
AT379ZHBAE	BDBM2114000	TRANSISTOR	DB-1300 2SD2114K	Q007
AT379ZHBAE	BDBN1266001	TRANSISTOR	DB-1266 DTC143ZKA T146	Q008
AT379ZHBAE	BDBN1259001	TRANSISTOR	DB-1259 KTC3875S-GR-RTK/P TAPE	Q009
AT379ZHBAE	BDBN1266001	TRANSISTOR	DB-1266 DTC143ZKA T146	Q010
AT379ZHBAE	BDBN1266001	TRANSISTOR	DB-1266 DTC143ZKA T146	Q011
AT379ZHBAE	BDBN1266001	TRANSISTOR	DB-1266 DTC143ZKA T146	Q012
AT379ZHBAE	BDBL2714124	TRANSISTOR	DB-718 2SC2714-Y (TE85L_F)	Q101
AT379ZHBAE	BDBL2714124	TRANSISTOR	DB-718 2SC2714-Y (TE85L_F)	Q102
AT379ZHBAE	BDBN1259001	TRANSISTOR	DB-1259 KTC3875S-GR-RTK/P TAPE	Q103
AT379ZHBAE	BDBN1290001	TRANSISTOR	DB-1290 LMBT3906LT1G	Q104
AT379ZHBAE	BDBL2714124	TRANSISTOR	DB-718 2SC2714-Y (TE85L_F)	Q105
AT379ZHBAE	BDBN1266001	TRANSISTOR	DB-1266 DTC143ZKA T146	Q106
AT379ZHBAE	BDBL0941112	TRANSISTOR	DB-1212 2SC941TM-Y(TPE2_F)	Q201
AT379ZHBAE	BDBL4226646	TRANSISTOR	DB-1174 2SC4226-R24 T1	Q202
AT379ZHBAE	BDBN1303001	TRANSISTOR	DB-1303 DTC115EKA T146	Q204
AT379ZHBAE	BDBN1303001	TRANSISTOR	DB-1303 DTC115EKA T146	Q205
AT379ZHBAE	BDBN1259001	TRANSISTOR	DB-1259 KTC3875S-GR-RTK/P TAPE	Q206
AT379ZHBAE	BDBN1259001	TRANSISTOR	DB-1259 KTC3875S-GR-RTK/P TAPE	Q207
AT379ZHBAE	BDBN1259001	TRANSISTOR	DB-1259 KTC3875S-GR-RTK/P TAPE	Q208
AT379ZHBAE	BDBM2114000	TRANSISTOR	DB-1300 2SD2114K	Q209
AT379ZHBAE	BDBN1068001	TRANSISTOR	DB-1068 DTA123JKA T146	Q213
AT379ZHBAE	BDBN1266001	TRANSISTOR	DB-1266 DTC143ZKA T146	Q214
AT379ZHBAE	BDBN1266001	TRANSISTOR	DB-1266 DTC143ZKA T146	Q215

AT379ZHBAE	BDBN1266001	TRANSISTOR	DB-1266 DTC143ZKA T146	Q216
AT379ZHBAE	BDBL3243105	TRANSISTOR	DB-1211 2SC3243-T111-E	Q217
AT379ZHBAE	BDBN1290001	TRANSISTOR	DB-1290 LMBT3906LT1G	Q218
AT379ZHBAE	BDBN1068001	TRANSISTOR	DB-1068 DTA123JKA T146	Q300
AT379ZHBAE	BDBN1266001	TRANSISTOR	DB-1266 DTC143ZKA T146	Q301
AT379ZHBAE	BDBL4226646	TRANSISTOR	DB-1174 2SC4226-R24 T1	Q302
AT379ZHBAE	BDBL4226646	TRANSISTOR	DB-1174 2SC4226-R24 T1	Q303
AT379ZHBAE	BDBM2114000	TRANSISTOR	DB-1300 2SD2114K	Q304
AT379ZHBAE	BDBN1266001	TRANSISTOR	DB-1266 DTC143ZKA T146	Q305
AT379ZHBAE	BDBN1290001	TRANSISTOR	DB-1290 LMBT3906LT1G	Q306
AT379ZHBAE	BDBN1068001	TRANSISTOR	DB-1068 DTA123JKA T146	Q307
AT379ZHBAE	BDBN1266001	TRANSISTOR	DB-1266 DTC143ZKA T146	Q308
AT379ZHBAE	BDBN1259001	TRANSISTOR	DB-1259 KTC3875S-GR-RTK/P TAPE	Q401
AT379ZHBYE	BDBK1134117	TRANSISTOR	DB-129 2SB1134-R	Q501
AT379ZHBYE	BDCN0336001	FIELD EFFECT TRANSISTOR	DC-336 RD06HHF1-101	Q502
AT379ZHBAE	BRFC162224G	R:CARBON FIXED CHIP(1608)	2.2K 1/16W J TAPE	R001
AT379ZHBAE	BRFC161024G	R:CARBON FIXED CHIP(1608)	1K 1/16W J TAPE	R002
AT379ZHBAE	BRFC161524G	R:CARBON FIXED CHIP(1608)	1.5K 1/16W J TAPE	R003
AT379ZHBAE	BRFC162224G	R:CARBON FIXED CHIP(1608)	2.2K 1/16W J TAPE	R004
AT379ZHBAE	BRFC162224G	R:CARBON FIXED CHIP(1608)	2.2K 1/16W J TAPE	R005
AT379ZHBAE	BRFC161034G	R:CARBON FIXED CHIP(1608)	10K 1/16W J TAPE	R006
AT379ZHBAE	BRFC161024G	R:CARBON FIXED CHIP(1608)	1K 1/16W J TAPE	R007
AT379ZHBAE	BRFC161524G	R:CARBON FIXED CHIP(1608)	1.5K 1/16W J TAPE	R008
AT379ZHBAE	BRFC163324G	R:CARBON FIXED CHIP(1608)	3.3K 1/16W J TAPE	R009
AT379ZHBAE	BRFC163324G	R:CARBON FIXED CHIP(1608)	3.3K 1/16W J TAPE	R010
AT379ZHBAE	BRFC161014G	R:CARBON FIXED CHIP(1608)	100 1/16W J TAPE	R011
AT379ZHBAE	BRFC163924G	R:CARBON FIXED CHIP(1608)	3.9K 1/16W J TAPE	R012
AT379ZHBAE	BRFC161024G	R:CARBON FIXED CHIP(1608)	1K 1/16W J TAPE	R013
AT379ZHBAE	BRFC162714G	R:CARBON FIXED CHIP(1608)	270 1/16W J TAPE	R014
AT379ZHBAE	BRFC162714G	R:CARBON FIXED CHIP(1608)	270 1/16W J TAPE	R015
AT379ZHBAE	BRFC161014G	R:CARBON FIXED CHIP(1608)	100 1/16W J TAPE	R016
AT379ZHBAE	BRFC160004G	R:CARBON FIXED CHIP(1608)	0 1/16W J TAPE	R017
AT379ZHBAE	BRFC161014G	R:CARBON FIXED CHIP(1608)	100 1/16W J TAPE	R018
AT379ZHBAE	BRFC161014G	R:CARBON FIXED CHIP(1608)	100 1/16W J TAPE	R019
AT379ZHBAE	BRFC165614G	R:CARBON FIXED CHIP(1608)	560 1/16W J TAPE	R020
AT379ZHBAE	BRFC163324G	R:CARBON FIXED CHIP(1608)	3.3K 1/16W J TAPE	R021
AT379ZHBAE	BRFC161034G	R:CARBON FIXED CHIP(1608)	10K 1/16W J TAPE	R022
AT379ZHBAE	BRFC161024G	R:CARBON FIXED CHIP(1608)	1K 1/16W J TAPE	R023
AT379ZHBAE	BRFC161014G	R:CARBON FIXED CHIP(1608)	100 1/16W J TAPE	R024
AT379ZHBAE	BRFC162234G	R:CARBON FIXED CHIP(1608)	22K 1/16W J TAPE	R025
AT379ZHBAE	BRFC162214G	R:CARBON FIXED CHIP(1608)	220 1/16W J TAPE	R026
AT379ZHBAE	BRFC161034G	R:CARBON FIXED CHIP(1608)	10K 1/16W J TAPE	R027
AT379ZHBAE	BRFC162224G	R:CARBON FIXED CHIP(1608)	2.2K 1/16W J TAPE	R028
AT379ZHBAE	BRFC162214G	R:CARBON FIXED CHIP(1608)	220 1/16W J TAPE	R029
AT379ZHBAE	BRFC163324G	R:CARBON FIXED CHIP(1608)	3.3K 1/16W J TAPE	R030
AT379ZHBAE	BRFC161024G	R:CARBON FIXED CHIP(1608)	1K 1/16W J TAPE	R031
AT379ZHBAE	BRFC166814G	R:CARBON FIXED CHIP(1608)	680 1/16W J TAPE	R032
AT379ZHBAE	BRFC162214G	R:CARBON FIXED CHIP(1608)	220 1/16W J TAPE	R033
AT379ZHBAE	BRFC161014G	R:CARBON FIXED CHIP(1608)	100 1/16W J TAPE	R034
AT379ZHBAE	BRFC162214G	R:CARBON FIXED CHIP(1608)	220 1/16W J TAPE	R035
AT379ZHBAE	BRFC164734G	R:CARBON FIXED CHIP(1608)	47K 1/16W J TAPE	R036
AT379ZHBAE	BRFC162204G	R:CARBON FIXED CHIP(1608)	22 1/16W J TAPE	R037
AT379ZHBAE	BRFC162224G	R:CARBON FIXED CHIP(1608)	2.2K 1/16W J TAPE	R038
AT379ZHBAE	BRFC161004G	R:CARBON FIXED CHIP(1608)	10 1/16W J TAPE	R039

AT379ZHBAE	BRFC161514G	R:CARBON FIXED CHIP(1608)	150 1/16W J TAPE	R041
AT379ZHBAE	BRFC164704G	R:CARBON FIXED CHIP(1608)	47 1/16W J TAPE	R042
AT379ZHBAE	BRFC163324G	R:CARBON FIXED CHIP(1608)	3.3K 1/16W J TAPE	R043
AT379ZHBAE	BRFC161034G	R:CARBON FIXED CHIP(1608)	10K 1/16W J TAPE	R044
AT379ZHBAE	BRFC166834G	R:CARBON FIXED CHIP(1608)	68K 1/16W J TAPE	R045
AT379ZHBAE	BRFC161034G	R:CARBON FIXED CHIP(1608)	10K 1/16W J TAPE	R046
AT379ZHBAE	BRFC161044G	R:CARBON FIXED CHIP(1608)	100K 1/16W J TAPE	R047
AT379ZHBAE	BRFC161044G	R:CARBON FIXED CHIP(1608)	100K 1/16W J TAPE	R048
AT379ZHBAE	BRFC166834G	R:CARBON FIXED CHIP(1608)	68K 1/16W J TAPE	R049
AT379ZHBAE	BRFC161054G	R:CARBON FIXED CHIP(1608)	1M 1/16W J TAPE	R050
AT379ZHBAE	BRFC161054G	R:CARBON FIXED CHIP(1608)	1M 1/16W J TAPE	R051
AT379ZHBAE	BRFC166834G	R:CARBON FIXED CHIP(1608)	68K 1/16W J TAPE	R052
AT379ZHBAE	BRFC161044G	R:CARBON FIXED CHIP(1608)	100K 1/16W J TAPE	R053
AT379ZHBAE	BRFC161534G	R:CARBON FIXED CHIP(1608)	15K 1/16W J TAPE	R054
AT379ZHBAE	BRFC163334G	R:CARBON FIXED CHIP(1608)	33K 1/16W J TAPE	R055
AT379ZHBAE	BRFC164744G	R:CARBON FIXED CHIP(1608)	470K 1/16W J TAPE	R056
AT379ZHBAE	BRFC162214G	R:CARBON FIXED CHIP(1608)	220 1/16W J TAPE	R057
AT379ZHBAE	BRFC164724G	R:CARBON FIXED CHIP(1608)	4.7K 1/16W J TAPE	R058
AT379ZHBAE	BRFC164724G	R:CARBON FIXED CHIP(1608)	4.7K 1/16W J TAPE	R059
AT379ZHBAE	BRFC161054G	R:CARBON FIXED CHIP(1608)	1M 1/16W J TAPE	R060
AT379ZHBAE	BRFC162744G	R:CARBON FIXED CHIP(1608)	270K 1/16W J TAPE	R061
AT379ZHBAE	BRFC161034G	R:CARBON FIXED CHIP(1608)	10K 1/16W J TAPE	R062
AT379ZHBAE	BRFC164734G	R:CARBON FIXED CHIP(1608)	47K 1/16W J TAPE	R063
AT379ZHBAE	BRFC161044G	R:CARBON FIXED CHIP(1608)	100K 1/16W J TAPE	R064
AT379ZHBAE	BRFC161044G	R:CARBON FIXED CHIP(1608)	100K 1/16W J TAPE	R065
AT379ZHBAE	BRFC161524G	R:CARBON FIXED CHIP(1608)	1.5K 1/16W J TAPE	R066
AT379ZHBAE	BRFC161044G	R:CARBON FIXED CHIP(1608)	100K 1/16W J TAPE	R067
AT379ZHBAE	BRFC165644G	R:CARBON FIXED CHIP(1608)	560K 1/16W J TAPE	R068
AT379ZHBAE	BRFC161054G	R:CARBON FIXED CHIP(1608)	1M 1/16W J TAPE	R069
AT379ZHBAE	BRFC161544G	R:CARBON FIXED CHIP(1608)	150K 1/16W J TAPE	R071
AT379ZHBAE	BRFC161024G	R:CARBON FIXED CHIP(1608)	1K 1/16W J TAPE	R072
AT379ZHBAE	BRFC164724G	R:CARBON FIXED CHIP(1608)	4.7K 1/16W J TAPE	R073
AT379ZHBAE	BRFC164744G	R:CARBON FIXED CHIP(1608)	470K 1/16W J TAPE	R074
AT379ZHBAE	BRFC166824G	R:CARBON FIXED CHIP(1608)	6.8K 1/16W J TAPE	R075
AT379ZHBAE	BRFC161024G	R:CARBON FIXED CHIP(1608)	1K 1/16W J TAPE	R076
AT379ZHBAE	BRFC161034G	R:CARBON FIXED CHIP(1608)	10K 1/16W J TAPE	R077
AT379ZHBAE	BRFC161044G	R:CARBON FIXED CHIP(1608)	100K 1/16W J TAPE	R078
AT379ZHBAE	BRFC166824G	R:CARBON FIXED CHIP(1608)	6.8K 1/16W J TAPE	R079
AT379ZHBAE	BRFC163334G	R:CARBON FIXED CHIP(1608)	33K 1/16W J TAPE	R080
AT379ZHBAE	BRFC166824G	R:CARBON FIXED CHIP(1608)	6.8K 1/16W J TAPE	R081
AT379ZHBAE	BRFC164704G	R:CARBON FIXED CHIP(1608)	47 1/16W J TAPE	R082
AT379ZHBAE	BRFC163334G	R:CARBON FIXED CHIP(1608)	33K 1/16W J TAPE	R083
AT379ZHBAE	BRFC162294G	R:CARBON FIXED CHIP(1608)	2.2 1/16W J TAPE	R084
AT379ZHBAE	BRFC161034G	R:CARBON FIXED CHIP(1608)	10K 1/16W J TAPE	R085
AT379ZHBAE	BRFC163334G	R:CARBON FIXED CHIP(1608)	33K 1/16W J TAPE	R086
AT379ZHBAE	BRFC164744G	R:CARBON FIXED CHIP(1608)	470K 1/16W J TAPE	R087
AT379ZHBAE	BRFC161054G	R:CARBON FIXED CHIP(1608)	1M 1/16W J TAPE	R088
AT379ZHBAE	BRFC121014G	R:CARBON FIXED CHIP(5025)	100 1/2W J TAPE	R089
AT379ZHBAE	BRFC161534G	R:CARBON FIXED CHIP(1608)	15K 1/16W J TAPE	R101
AT379ZHBAE	BRFC162244G	R:CARBON FIXED CHIP(1608)	220K 1/16W J TAPE	R102
AT379ZHBAE	BRFC164704G	R:CARBON FIXED CHIP(1608)	47 1/16W J TAPE	R103
AT379ZHBAE	BRFC161524G	R:CARBON FIXED CHIP(1608)	1.5K 1/16W J TAPE	R104
AT379ZHBAE	BRFC163314G	R:CARBON FIXED CHIP(1608)	330 1/16W J TAPE	R105
AT379ZHBAE	BRFC164704G	R:CARBON FIXED CHIP(1608)	47 1/16W J TAPE	R106

AT379ZHBAE	BRFC162224G	R:CARBON FIXED CHIP(1608)	2.2K 1/16W J TAPE	R107
AT379ZHBAE	BRFC164724G	R:CARBON FIXED CHIP(1608)	4.7K 1/16W J TAPE	R108
AT379ZHBAE	BRFC164724G	R:CARBON FIXED CHIP(1608)	4.7K 1/16W J TAPE	R109
AT379ZHBAE	BRFC164724G	R:CARBON FIXED CHIP(1608)	4.7K 1/16W J TAPE	R110
AT379ZHBAE	BRFC164724G	R:CARBON FIXED CHIP(1608)	4.7K 1/16W J TAPE	R111
AT379ZHBAE	BRFC164724G	R:CARBON FIXED CHIP(1608)	4.7K 1/16W J TAPE	R112
AT379ZHBAE	BRFC164724G	R:CARBON FIXED CHIP(1608)	4.7K 1/16W J TAPE	R113
AT379ZHBAE	BRFC166834G	R:CARBON FIXED CHIP(1608)	68K 1/16W J TAPE	R114
AT379ZHBAE	BRFC161024G	R:CARBON FIXED CHIP(1608)	1K 1/16W J TAPE	R115
AT379ZHBAE	BRFC161024G	R:CARBON FIXED CHIP(1608)	1K 1/16W J TAPE	R116
AT379ZHBAE	BRFC161044G	R:CARBON FIXED CHIP(1608)	100K 1/16W J TAPE	R200
AT379ZHBAE	BRFC161044G	R:CARBON FIXED CHIP(1608)	100K 1/16W J TAPE	R202
AT379ZHBAE	BRFC161044G	R:CARBON FIXED CHIP(1608)	100K 1/16W J TAPE	R203
AT379ZHBAE	BRFC161224G	R:CARBON FIXED CHIP(1608)	1.2K 1/16W J TAPE	R204
AT379ZHBAE	BRFC163324G	R:CARBON FIXED CHIP(1608)	3.3K 1/16W J TAPE	R205
AT379ZHBAE	BRFC161024G	R:CARBON FIXED CHIP(1608)	1K 1/16W J TAPE	R206
AT379ZHBAE	BRFC161504G	R:CARBON FIXED CHIP(1608)	15 1/16W J TAPE	R207
AT379ZHBAE	BRFC164704G	R:CARBON FIXED CHIP(1608)	47 1/16W J TAPE	R208
AT379ZHBAE	BRFC163304G	R:CARBON FIXED CHIP(1608)	33 1/16W J TAPE	R209
AT379ZHBAE	BRFC160004G	R:CARBON FIXED CHIP(1608)	0 1/16W J TAPE	R210
AT379ZHBAE	BRFC164704G	R:CARBON FIXED CHIP(1608)	47 1/16W J TAPE	R211
AT379ZHBAE	BRFC164724G	R:CARBON FIXED CHIP(1608)	4.7K 1/16W J TAPE	R212
AT379ZHBAE	BRFC166814G	R:CARBON FIXED CHIP(1608)	680 1/16W J TAPE	R213
AT379ZHBAE	BRFC163314G	R:CARBON FIXED CHIP(1608)	330 1/16W J TAPE	R214
AT379ZHBAE	BRFC161014G	R:CARBON FIXED CHIP(1608)	100 1/16W J TAPE	R215
AT379ZHBAE	BRFC162234G	R:CARBON FIXED CHIP(1608)	22K 1/16W J TAPE	R216
AT379ZHBAE	BRFC163324G	R:CARBON FIXED CHIP(1608)	3.3K 1/16W J TAPE	R217
AT379ZHBAE	BRFC161034G	R:CARBON FIXED CHIP(1608)	10K 1/16W J TAPE	R218
AT379ZHBAE	BRFC163324G	R:CARBON FIXED CHIP(1608)	3.3K 1/16W J TAPE	R219
AT379ZHBAE	BRFC164704G	R:CARBON FIXED CHIP(1608)	47 1/16W J TAPE	R220
AT379ZHBAE	BRFC166824G	R:CARBON FIXED CHIP(1608)	6.8K 1/16W J TAPE	R221
AT379ZHBAE	BRFC161044G	R:CARBON FIXED CHIP(1608)	100K 1/16W J TAPE	R224
AT379ZHBAE	BRFC162234G	R:CARBON FIXED CHIP(1608)	22K 1/16W J TAPE	R225
AT379ZHBAE	BRFC164744G	R:CARBON FIXED CHIP(1608)	470K 1/16W J TAPE	R226
AT379ZHBAE	BRFC163314G	R:CARBON FIXED CHIP(1608)	330 1/16W J TAPE	R227
AT379ZHBAE	BRFC164724G	R:CARBON FIXED CHIP(1608)	4.7K 1/16W J TAPE	R228
AT379ZHBAE	BRFC162234G	R:CARBON FIXED CHIP(1608)	22K 1/16W J TAPE	R229
AT379ZHBAE	BRFC164704G	R:CARBON FIXED CHIP(1608)	47 1/16W J TAPE	R230
AT379ZHBAE	BRFC162214G	R:CARBON FIXED CHIP(1608)	220 1/16W J TAPE	R231
AT379ZHBAE	BRFC164744G	R:CARBON FIXED CHIP(1608)	470K 1/16W J TAPE	R232
AT379ZHBAE	BRFC164704G	R:CARBON FIXED CHIP(1608)	47 1/16W J TAPE	R233
AT379ZHBAE	BRFC164724G	R:CARBON FIXED CHIP(1608)	4.7K 1/16W J TAPE	R234
AT379ZHBAE	BRFC161044G	R:CARBON FIXED CHIP(1608)	100K 1/16W J TAPE	R235
AT379ZHBAE	BRFC164724G	R:CARBON FIXED CHIP(1608)	4.7K 1/16W J TAPE	R236
AT379ZHBAE	BRFC164724G	R:CARBON FIXED CHIP(1608)	4.7K 1/16W J TAPE	R237
AT379ZHBAE	BRFC161054G	R:CARBON FIXED CHIP(1608)	1M 1/16W J TAPE	R238
AT379ZHBAE	BRFC164714G	R:CARBON FIXED CHIP(1608)	470 1/16W J TAPE	R243
AT379ZHBAE	BRFC161024G	R:CARBON FIXED CHIP(1608)	1K 1/16W J TAPE	R246
AT379ZHBAE	BRFC161044G	R:CARBON FIXED CHIP(1608)	100K 1/16W J TAPE	R247
AT379ZHBAE	BRFC161044G	R:CARBON FIXED CHIP(1608)	100K 1/16W J TAPE	R248
AT379ZHBAE	BRFC161024G	R:CARBON FIXED CHIP(1608)	1K 1/16W J TAPE	R249
AT379ZHBAE	BRFC164724G	R:CARBON FIXED CHIP(1608)	4.7K 1/16W J TAPE	R251
AT379ZHBAE	BRFC161054G	R:CARBON FIXED CHIP(1608)	1M 1/16W J TAPE	R252
AT379ZHBAE	BRFC162224G	R:CARBON FIXED CHIP(1608)	2.2K 1/16W J TAPE	R253

AT379ZHBAE	BRFC161024G	R:CARBON FIXED CHIP(1608)	1K 1/16W J TAPE	R254
AT379ZHBAE	BRFC161024G	R:CARBON FIXED CHIP(1608)	1K 1/16W J TAPE	R255
AT379ZHBAE	BRFC162244G	R:CARBON FIXED CHIP(1608)	220K 1/16W J TAPE	R256
AT379ZHBAE	BRFC162244G	R:CARBON FIXED CHIP(1608)	220K 1/16W J TAPE	R257
AT379ZHBAE	BRFC162214G	R:CARBON FIXED CHIP(1608)	220 1/16W J TAPE	R258
AT379ZHBAE	BRFC165614G	R:CARBON FIXED CHIP(1608)	560 1/16W J TAPE	R259
AT379ZHBAE	BRFC161524G	R:CARBON FIXED CHIP(1608)	1.5K 1/16W J TAPE	R260
AT379ZHBAE	BRFC162244G	R:CARBON FIXED CHIP(1608)	220K 1/16W J TAPE	R261
AT379ZHBAE	BRFC162224G	R:CARBON FIXED CHIP(1608)	2.2K 1/16W J TAPE	R262
AT379ZHBAE	BRFC161524G	R:CARBON FIXED CHIP(1608)	1.5K 1/16W J TAPE	R263
AT379ZHBAE	BRFC162224G	R:CARBON FIXED CHIP(1608)	2.2K 1/16W J TAPE	R264
AT379ZHBAE	BRFC161534G	R:CARBON FIXED CHIP(1608)	15K 1/16W J TAPE	R265
AT379ZHBAE	BRFC163314G	R:CARBON FIXED CHIP(1608)	330 1/16W J TAPE	R267
AT379ZHBAE	BRFC162224G	R:CARBON FIXED CHIP(1608)	2.2K 1/16W J TAPE	R268
AT379ZHBAE	BRFC161034G	R:CARBON FIXED CHIP(1608)	10K 1/16W J TAPE	R269
AT379ZHBAE	BRFC161034G	R:CARBON FIXED CHIP(1608)	10K 1/16W J TAPE	R271
AT379ZHBAE	BRFC161034G	R:CARBON FIXED CHIP(1608)	10K 1/16W J TAPE	R272
AT379ZHBAE	BRFC164734G	R:CARBON FIXED CHIP(1608)	47K 1/16W J TAPE	R273
AT379ZHBAE	BRFC168204G	R:CARBON FIXED CHIP(1608)	82 1/16W J TAPE	R274
AT379ZHBAE	BRFC128204G	R:CARBON FIXED CHIP(5025)	82 1/2W J TAPE	R275
AT379ZHBAE	BRFC121014G	R:CARBON FIXED CHIP(5025)	100 1/2W J TAPE	R276
AT379ZHBAE	BRFC161524G	R:CARBON FIXED CHIP(1608)	1.5K 1/16W J TAPE	R277
AT379ZHBAE	BRFC161024G	R:CARBON FIXED CHIP(1608)	1K 1/16W J TAPE	R278
AT379ZHBAE	BRFC161524G	R:CARBON FIXED CHIP(1608)	1.5K 1/16W J TAPE	R279
AT379ZHBAE	BRFC164734G	R:CARBON FIXED CHIP(1608)	47K 1/16W J TAPE	R280
AT379ZHBAE	BRFC163324G	R:CARBON FIXED CHIP(1608)	3.3K 1/16W J TAPE	R281
AT379ZHBAE	BRFC162224G	R:CARBON FIXED CHIP(1608)	2.2K 1/16W J TAPE	R282
AT379ZHBAE	BRFC161524G	R:CARBON FIXED CHIP(1608)	1.5K 1/16W J TAPE	R283
AT379ZHBAE	BRFC161034G	R:CARBON FIXED CHIP(1608)	10K 1/16W J TAPE	R284
AT379ZHBAE	BRFC161034G	R:CARBON FIXED CHIP(1608)	10K 1/16W J TAPE	R285
AT379ZHBAE	BRFC160004G	R:CARBON FIXED CHIP(1608)	0 1/16W J TAPE	R286
AT379ZHBAE	BRFC161514G	R:CARBON FIXED CHIP(1608)	150 1/16W J TAPE	R301
AT379ZHBAE	BRFC162214G	R:CARBON FIXED CHIP(1608)	220 1/16W J TAPE	R302
AT379ZHBAE	BRFC161024G	R:CARBON FIXED CHIP(1608)	1K 1/16W J TAPE	R303
AT379ZHBAE	BRFC161004G	R:CARBON FIXED CHIP(1608)	10 1/16W J TAPE	R304
AT379ZHBAE	BRFC163334G	R:CARBON FIXED CHIP(1608)	33K 1/16W J TAPE	R305
AT379ZHBAE	BRFC162214G	R:CARBON FIXED CHIP(1608)	220 1/16W J TAPE	R306
AT379ZHBAE	BRFC162214G	R:CARBON FIXED CHIP(1608)	220 1/16W J TAPE	R307
AT379ZHBAE	BRFC164714G	R:CARBON FIXED CHIP(1608)	470 1/16W J TAPE	R308
AT379ZHBAE	BRFC163334G	R:CARBON FIXED CHIP(1608)	33K 1/16W J TAPE	R309
AT379ZHBAE	BRFC161054G	R:CARBON FIXED CHIP(1608)	1M 1/16W J TAPE	R310
AT379ZHBAE	BRFC164734G	R:CARBON FIXED CHIP(1608)	47K 1/16W J TAPE	R311
AT379ZHBAE	BRFC161034G	R:CARBON FIXED CHIP(1608)	10K 1/16W J TAPE	R312
AT379ZHBAE	BRFC164724G	R:CARBON FIXED CHIP(1608)	4.7K 1/16W J TAPE	R313
AT379ZHBAE	BRFC161034G	R:CARBON FIXED CHIP(1608)	10K 1/16W J TAPE	R314
AT379ZHBAE	BRFC162224G	R:CARBON FIXED CHIP(1608)	2.2K 1/16W J TAPE	R315
AT379ZHBAE	BRFC161514G	R:CARBON FIXED CHIP(1608)	150 1/16W J TAPE	R316
AT379ZHBAE	BRFC164714G	R:CARBON FIXED CHIP(1608)	470 1/16W J TAPE	R317
AT379ZHBAE	BRFC166814G	R:CARBON FIXED CHIP(1608)	680 1/16W J TAPE	R318
AT379ZHBAE	BRFC161034G	R:CARBON FIXED CHIP(1608)	10K 1/16W J TAPE	R319
AT379ZHBAE	BRFC161024G	R:CARBON FIXED CHIP(1608)	1K 1/16W J TAPE	R320
AT379ZHBAE	BRFC165624G	R:CARBON FIXED CHIP(1608)	5.6K 1/16W J TAPE	R321
AT379ZHBAE	BRFC162224G	R:CARBON FIXED CHIP(1608)	2.2K 1/16W J TAPE	R322
AT379ZHBAE	BRFC160004G	R:CARBON FIXED CHIP(1608)	0 1/16W J TAPE	R323

AT379ZHBAE	BRFC160004G	R:CARBON FIXED CHIP(1608)	0 1/16W J TAPE	R378
AT379ZHBAE	BRFC160004G	R:CARBON FIXED CHIP(1608)	0 1/16W J TAPE	R379
AT379ZHBAE	BRFC160004G	R:CARBON FIXED CHIP(1608)	0 1/16W J TAPE	R380
AT379ZHBAE	BRFC160004G	R:CARBON FIXED CHIP(1608)	0 1/16W J TAPE	R381
AT379ZHBAE	BRFC160004G	R:CARBON FIXED CHIP(1608)	0 1/16W J TAPE	R382
AT379ZHBAE	BRFC164724G	R:CARBON FIXED CHIP(1608)	4.7K 1/16W J TAPE	R383
AT379ZHBAE	BRFC161024G	R:CARBON FIXED CHIP(1608)	1K 1/16W J TAPE	R384
AT379ZHBAE	BRFC162214G	R:CARBON FIXED CHIP(1608)	220 1/16W J TAPE	R385
AT379ZHBAE	BRFC161024G	R:CARBON FIXED CHIP(1608)	1K 1/16W J TAPE	R386
AT379ZHBAE	BRFC161024G	R:CARBON FIXED CHIP(1608)	1K 1/16W J TAPE	R387
AT379ZHBAE	BRFC161024G	R:CARBON FIXED CHIP(1608)	1K 1/16W J TAPE	R388
AT379ZHBAE	BRFC161024G	R:CARBON FIXED CHIP(1608)	1K 1/16W J TAPE	R389
AT379ZHBAE	BRFC161024G	R:CARBON FIXED CHIP(1608)	1K 1/16W J TAPE	R390
AT379ZHBAE	BRFC161024G	R:CARBON FIXED CHIP(1608)	1K 1/16W J TAPE	R391
AT379ZHBAE	BRFC161024G	R:CARBON FIXED CHIP(1608)	1K 1/16W J TAPE	R392
AT379ZHBAE	BRFC161024G	R:CARBON FIXED CHIP(1608)	1K 1/16W J TAPE	R393
AT379ZHBAE	BRFC161034G	R:CARBON FIXED CHIP(1608)	10K 1/16W J TAPE	R394
AT379ZHBAE	BRPA611034G	R:CARBON AXIAL LEAD (26)	10K 1/6W J TAPE	R395
AT379ZHBAE	BRPA611034G	R:CARBON AXIAL LEAD (26)	10K 1/6W J TAPE	R396
AT379ZHBAE	BRPA611034G	R:CARBON AXIAL LEAD (26)	10K 1/6W J TAPE	R397
AT379ZHBAE	BRPA611034G	R:CARBON AXIAL LEAD (26)	10K 1/6W J TAPE	R398
AT379ZHBAE	BRFC161034G	R:CARBON FIXED CHIP(1608)	10K 1/16W J TAPE	R399
AT379ZHBAE	BRFC163924G	R:CARBON FIXED CHIP(1608)	3.9K 1/16W J TAPE	R401
AT379ZHBAE	BRFC161034G	R:CARBON FIXED CHIP(1608)	10K 1/16W J TAPE	R402
AT379ZHBAE	BRFC166844G	R:CARBON FIXED CHIP(1608)	680K 1/16W J TAPE	R403
AT379ZHBAE	BRFC162224G	R:CARBON FIXED CHIP(1608)	2.2K 1/16W J TAPE	R404
AT379ZHBAE	BRFC168224G	R:CARBON FIXED CHIP(1608)	8.2K 1/16W J TAPE	R405
AT379ZHBAE	BRFC161034G	R:CARBON FIXED CHIP(1608)	10K 1/16W J TAPE	R406
AT379ZHBAE	BRFC165644G	R:CARBON FIXED CHIP(1608)	560K 1/16W J TAPE	R407
AT379ZHBAE	BRFC162224G	R:CARBON FIXED CHIP(1608)	2.2K 1/16W J TAPE	R408
AT379ZHBAE	BRFC163334G	R:CARBON FIXED CHIP(1608)	33K 1/16W J TAPE	R409
AT379ZHBAE	BRFC164714G	R:CARBON FIXED CHIP(1608)	470 1/16W J TAPE	R410
AT379ZHBAE	BRFC161034G	R:CARBON FIXED CHIP(1608)	10K 1/16W J TAPE	R411
AT379ZHBAE	BRFC161034G	R:CARBON FIXED CHIP(1608)	10K 1/16W J TAPE	R412
AT379ZHBAE	BRFC165644G	R:CARBON FIXED CHIP(1608)	560K 1/16W J TAPE	R413
AT379ZHBBE	BRFC163914G	R:CARBON FIXED CHIP(1608)	390 1/16W J TAPE	R551
AT379ZHBBE	BRFC163914G	R:CARBON FIXED CHIP(1608)	390 1/16W J TAPE	R552
AT379ZHBBE	BRFC161024G	R:CARBON FIXED CHIP(1608)	1K 1/16W J TAPE	R553
AT379ZHBBE	BRFC161024G	R:CARBON FIXED CHIP(1608)	1K 1/16W J TAPE	R554
AT379ZHBBE	BRFC161024G	R:CARBON FIXED CHIP(1608)	1K 1/16W J TAPE	R555
AT379ZHBBE	BRFC161024G	R:CARBON FIXED CHIP(1608)	1K 1/16W J TAPE	R556
AT379ZHBBE	BRFC161024G	R:CARBON FIXED CHIP(1608)	1K 1/16W J TAPE	R557
AT379ZHBBE	BRFC161024G	R:CARBON FIXED CHIP(1608)	1K 1/16W J TAPE	R558
AT379ZHBEE	BRFC161024G	R:CARBON FIXED CHIP(1608)	1K 1/16W J TAPE	R701
AT379ZHBEE	BRFC161024G	R:CARBON FIXED CHIP(1608)	1K 1/16W J TAPE	R702
AT379ZHBAE	BRLG0122001	RELAY	RL-122 BR-700OHMS-8VDC-UD	RL301
AT379ZHBAE	BRLG0122001	RELAY	RL-122 BR-700OHMS-8VDC-UD	RL302
AT379ZHBAE	BRTG0582472	R:SEMI-FIXED	RT-582 PVZ3A472E01R00	RT001
AT379ZHBAE	BRTG0582472	R:SEMI-FIXED	RT-582 PVZ3A472E01R00	RT002
AT379ZHBAE	BRTG0582103	R:SEMI-FIXED	RT-582 PVZ3A103E01R00	RT201
AT379ZHBAE	BRTG0582472	R:SEMI-FIXED	RT-582 PVZ3A472E01R00	RT202
AT379ZHBAE	BRTG0582102	R:SEMI-FIXED	RT-582 PVZ3A102E01R00	RT203
AT379ZHBAE	BRTG0582472	R:SEMI-FIXED	RT-582 PVZ3A472E01R00	RT204
AT379ZHBAE	BRTG0582473	R:SEMI-FIXED	RT-582 PVZ3A473E01R00	RT205

AT379ZHBAE	BRTG0582472	R:SEMI-FIXED	RT-582 PVZ3A472E01R00	RT206
AT379ZHBBE	BSWG0877001	SWITCH:TACT	SW-877 TC-1105	S551
AT379ZHBBE	BSWG0877001	SWITCH:TACT	SW-877 TC-1105	S552
AT379ZHBBE	BSWG0877001	SWITCH:TACT	SW-877 TC-1105	S553
AT379ZHBBE	BSWG0877001	SWITCH:TACT	SW-877 TC-1105	S554
AT379ZHBBE	BSWG0877001	SWITCH:TACT	SW-877 TC-1105	S555
AT379ZHBBE	BSWG0877001	SWITCH:TACT	SW-877 TC-1105	S556
AT379ZHBEE	BSRG0470001	SW:ROTARY	SR-470	S701
AT379ZHBYE	BSPG0474001	SPEAKER	SP-474 YD77A-64F8	SP501
AT379ZHBAE	BTFG0577001	TRANS	TF-577	T201
AT379ZHBAE	BTFG0083001	TRANSFORMER:AF CHOKE	TF-083	T301
AT379ZHBCE	BRVG1013001	VOLUME	RV-1013 TP96D00N 33F B502 _ A503	VR601
AT379ZHBDE	BRVG1019001	VOLUME	RV-1019 TP96N00 25.5F B502	VR651
AT379ZHBAE	CUAH013011G	WIRE	UL 1007 #24 3-130- 3 GRY	W001
AT379ZHBAE	CUAJ013011G	WIRE	UL 1007 #24 3-130- 3 WHT	W002
AT379ZHBAE	CUPJ003511G	WIRE W-004	UL 1571 #26 3- 35- 3 WHT	W003
AT379ZHBYE	BWZY1105001	CORD:DC CORD	WZ-1105 1500 W/P	WA501
AT379ZHBAE	BQXG0976001	CRYSTAL	QX-976 10.240000MHZ	X301
AT379ZHBAE	BQXG0839001	CRYSTAL	QX-839 3.6864MHZ	X302