

LINCOLN II +

CE 0700 !

10 m + 12 m



with / avec / con / com

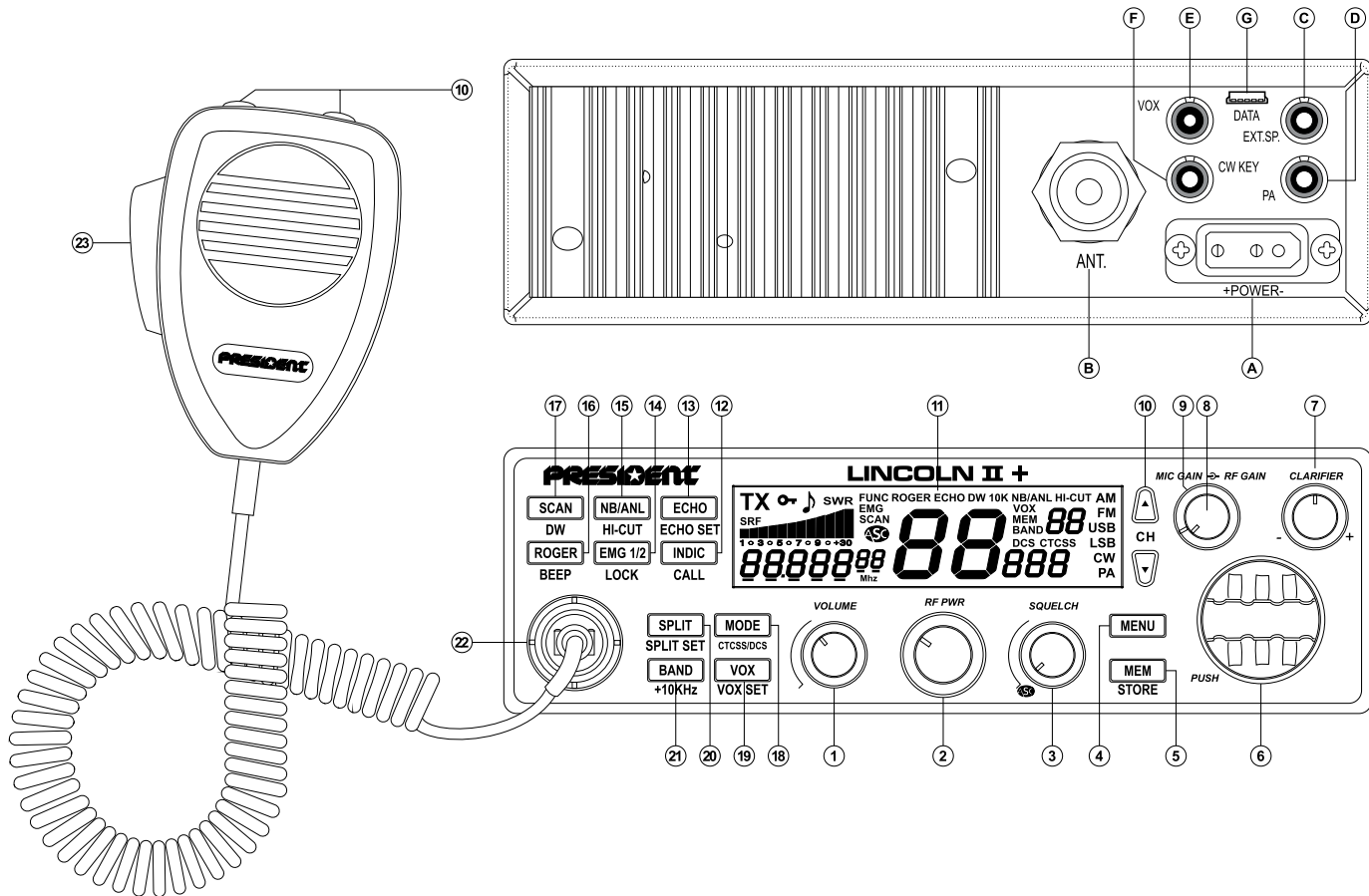


*Owner's manual / Manuel d'utilisation
Manual del usuario / Manual do usuário*

PRESIDENT

Your PRESIDENT LINCOLN II + ASC at a glance

Votre PRESIDENT LINCOLN II + ASC en un coup d'œil



Un vistazo a vuestro PRESIDENT LINCOLN II + ASC

Uma olhada no seu PRESIDENT LINCOLN II + ASC

SUMMARY

English

INSTALLATION	5
HOW TO USE YOUR TRANSCEIVER.....	7
MENU FUNCTIONS.....	11
TECHNICAL CHARACTERISTICS.....	12
TROUBLE SHOOTING.....	13
GLOSSARY.....	13
GENERAL WARRANTY CONDITIONS.....	14

SUMARIO

Español

INSTALACIÓN	28
UTILIZACIÓN	30
FUNCIONES DEL MENÚ.....	34
CARACTERÍSTICAS TÉCNICAS.....	36
GUÍA DE PROBLEMAS.....	37
LÉXICO.....	37
CONDICIONES GENERALES DE GARANTÍA	38

SOMMAIRE

Français

INSTALLATION	16
UTILISATION	18
MENU FONCTIONS.....	22
CARACTÉRISTIQUES TECHNIQUES.....	24
GUIDE DE DÉPANNAGE.....	25
GLOSSAIRE	25
CONDITIONS GÉNÉRALES DE GARANTIE	26

SUMÁRIO

Português

INSTALAÇÃO	40
COMO USAR O SEU TRANSCETOR	42
FUNÇÕES DO MENU.....	46
CARACTERÍSTICAS TÉCNICAS.....	48
RESOLUÇÃO DE PROBLEMAS	49
GLOSSÁRIO	49
CONDIÇÕES GERAIS DE GARANTIA.....	50

PROPOSITION 65 WARNING: This product contains a chemical known to the State of California to cause cancer and birth defects or other reproductive harm.

WARNING !

- *The use of this equipment involves the possession of a Radio Amateur license*
- *Before using, be careful never to transmit without first having connected the antenna (connection "**B**" situated on the back panel of the equipment) or without having set the SWR (Standing Wave Ratio) ! Failure to do so may result in destruction of the power amplifier, which is not covered by the guarantee.*

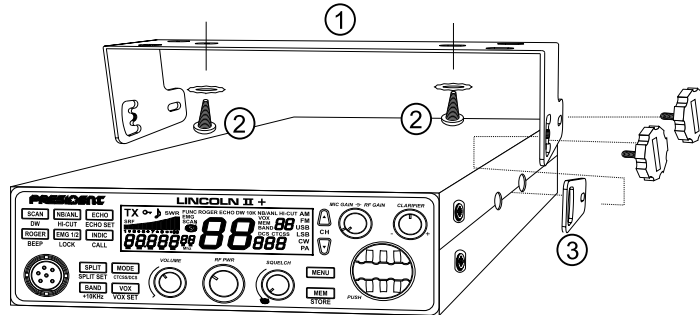
The guarantee of this transceiver is valid only in the country of purchase.

Welcome to the world of the new generation of transceiver radios. The new PRESIDENT range gives you access to top performance transceiver equipment. With the use of up-to-date technology, which guarantees unprecedented quality, your PRESIDENT LINCOLN II + ASC is a new step in personal communication and is the surest choice for the most demanding of radioamateur users. To ensure that you make the most of all its capacities, we advise you to read carefully this manual before installing and using your PRESIDENT LINCOLN II + ASC.

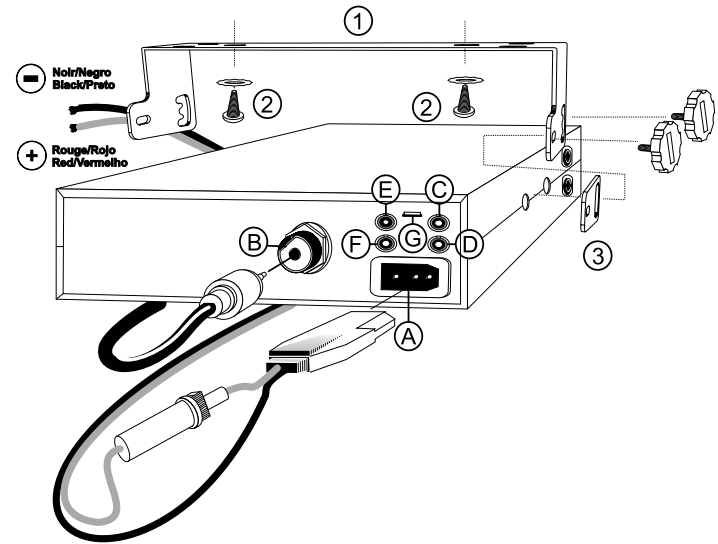
A) INSTALLATION

1) WHERE AND HOW TO MOUNT YOUR TRANSCEIVER

- You should choose the most appropriate setting from a simple and practical point of view.
- Your transceiver radio should not interfere with the driver or the passengers.
- Remember to provide for the passing and protection of different wires (e.g. power, antenna, accessory cabling) so that they do not in any way interfere with the driving of the vehicle.
- To install your equipment, use the cradle (1) and the self-tapping screws (2) provided (drilling diameter 3.2 mm). Take care not to damage the vehicle's electrical system while drilling the dash board.



- Do not forget to insert the rubber joints (3) between the transceiver and its support as these have a shock-absorbing effect which permits gentle orientation and tightening of the set.
- Choose where to place the microphone support and remember that the microphone cord must stretch to the driver without interfering with the controls of the vehicle.



- **N.B. :** As the transceiver has a frontal microphone socket, it can be set into the dash board. In this case, you will need to add an external loud speaker to improve the sound quality of communications (connector EXT SP situated on the back panel: C). Ask your dealer for advice on mounting your transceiver radio.

2) ANTENNA INSTALLATION

a) Choosing your antenna

- For transceiver radios, the longer the antenna, the better its results. Your dealer will be able to help you with your choice of antenna.

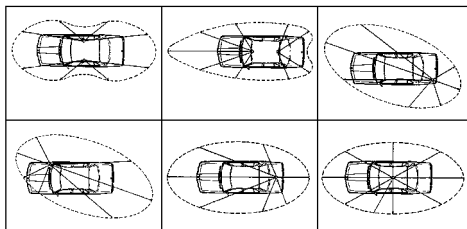
b) Mobile antenna

- Must be fixed to the vehicle where there is a maximum of metallic surface (ground plane), away from windshield mountings.
- If you already have a radio-telephone antenna installed, the transceiver antenna should be higher than this.

- There are two types of antenna: pre-regulated which should be used on a good ground plane (e.g. car roof or lid of the boot), and adjustable which offer a much larger range and can be used on a smaller ground plane (see § **HOW TO ADJUST SWR**, below).
- For an antenna which must be fixed by drilling, you will need a good contact between the antenna and the ground plane. To obtain this, you should lightly scratch the surface where the screw and tightening star are to be placed.
- Be careful not to pinch or flatten the coaxial cable (as this runs the risk of break down and/or short-circuiting).
- Connect the antenna (**B**).

c) Fixed antenna

- A fixed antenna should be installed in a clear space as possible. If it is fixed to a mast, it will perhaps be necessary to stay it, according to the laws in force (you should seek professional advice). All PRESIDENT antennas and accessories are designed to give maximum efficiency to each transceiver radio within the range.



OUTPUT RADIUS PATTERN

3) POWER CONNECTION

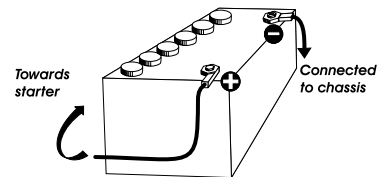
Your PRESIDENT LINCOLN II + ASC is protected against an inversion of polarities. However, before switching it on, you are advised to check all the connections. Your equipment must be supplied with a continued current of 12 volts (**A**). Today, most cars and lorries are negative earth. You can check this by making sure that the negative terminal of the battery is connected either to the engine block or to the chassis. If this is not the case, you should consult your dealer.

WARNING: Lorries generally have two batteries and an electrical installation of 24 volts, in which case it will be necessary to insert a 24/12 volt converter (type CV 24/12 PRESIDENT) into the electrical circuit. The following connection steps should be carried out with the power cable disconnected from the set.

- Check that the battery is of 12 volts.

- Locate the positive and negative terminals of the battery (+ is red and - is black). Should it be necessary to lengthen the power cable, you should use the same or a superior type of cable.
- It is necessary to connect your transceiver to a permanent (+) and (-). We advise you to connect the power cable directly to the battery (as the connection of the transceiver cable to the wiring of the car-radio or other parts of the electrical circuit may, in some cases, increase the likelihood of interference).
- Connect the red wire (+) to the positive terminal of the battery and the black (-) wire to the negative terminal of the battery.
- Connect the power cable to your transceiver radio.

WARNING: Never replace the original fuse (6 A) by one of a different value.



4) BASIC OPERATIONS TO BE CARRIED OUT BEFORE USING YOUR SET FOR THE FIRST TIME (without transmitting and without using the "push-to-talk" switch on the microphone)

- Connect the microphone
- Check the antenna connections
- Turn the set on by turning the volume knob (1) clockwise.
- Turn the squelch **SQUELCH** knob (3) to minimum.
- Adjust the volume to a comfortable level.
- Go to channel 20 by using ▲/▼ keys (10).

5) HOW TO ADJUST SWR (Standing Wave Ratio)

With the integrated SWR meter:

Put the unit into AM or FM with the **MODE** key (18). Using **PUSH** knob (6), or ▲/▼ keys (10) position the unit in the middle of the band (you are advised to check the values obtained on the extreme frequencies, in all cases it is necessary to calibrate). Check that **RF PWR** knob (2) is at maximum. Press **INDIC** key (12) in **TX** mode until "**SWR**" appear in the display. If necessary, adjust your antenna to be close of **01.0**.

Warning: In order to avoid any losses and attenuations in cables used for connection between the radio and its accessories, PRESIDENT recommends to use a cable with a length inferior to 3m.

Your transceiver is now ready for use.

B) HOW TO USE YOUR TRANSCEIVER

1) ON/OFF ~ VOLUME

Turn **on** radio: clockwise turn **VOLUME** knob (1) until radio emit beep and show current channel, radio is **on**. Turn **Off** radio: counterclockwise turn **VOLUME** knob (1) until radio emit click sound, then radio is **off**.

Volume Adjustment: Radio is **on**, rotate **VOLUME** knob (1) to *adjust* volume. LCD shows "**LVL XX**" for 5 seconds which means volume level. Total is **55** levels. Clockwise to increase volume. Counterclockwise to decrease volume.

2) RF POWER

In **TX**, rotate **RF PWR** knob (2) to *adjust* FM/AM/USB/LSB output power. Clockwise to increase power. Counterclockwise to decrease power.

3) ASC (Automatic Squelch Control) ~ SQUELCH

Suppresses undesirable background noises when there is no communication. Squelch does not affect neither sound nor transmission power, but allows a considerable improvement in listening comfort.

a) ASC: AUTOMATIC SQUELCH CONTROL

Worldwide patent, a PRESIDENT exclusivity.

Turn the **SQUELCH** knob (3) anti-clockwise into **ASC** position. "**ASC**" appears on the LCD. No repetitive manual adjustment and a permanent improvement between the sensitivity and the listening comfort when **ASC** is active. This function can be disconnected by turning the switch clockwise. In this case the squelch adjustment becomes manual again. "**ASC**" disappears from the LCD, "**SqL on**" appears for 5 seconds.

b) MANUAL SQUELCH

Turn the **SQUELCH** knob clockwise to the exact point where all background noise disappears. This adjustment should be done with precision as, if set to maximum (fully clockwise), only the strongest signals will be received. LCD shows "**SqL XX**" for 5 seconds which means squelch volume level. Total is **35** levels.

4) MENU

Press the **MENU** key (4) for 2 seconds to *enter* in the **menu function setting**. "**FUNC**" appears on the LCD.

Use **▲/▼** keys (10) to *select* the desired function.

Use rotary **PUSH** knob (6) to *set* the function.

Press any key except **PUSH** knob (6) or wait for 5 seconds to *store* and *exit*. "**FUNC**" disappears from the LCD.

See § **MENU FUNCTIONS** for details, page 11.

5) MEM ~ STORE

MEM (short press)

Press **MEM** key (5) to *enter* into **Memory Mode**.

Press **▲/▼** keys (10) on to *select* the pre-stored channel (6 memories).

Press **MEM** key (5) again to *exit* **Memory Mode**.

STORE (long press)

Select desired channel, band and modulation mode.

Long press **MEM-STORE** key (5) to *enter* into **Channel Storage Setting**, memory blinks in the LCD.

Rotate **PUSH** knob (6) to *select* the storage memory $n 1 \sim n 5$.

Long press **MEM-STORE** key (5) until blinking memory disappeared. Storage finished and *exit* **Channel Storage Setting**.

6) ROTARY "PUSH" KNOB

In **POWER ON** status, rotate **PUSH** knob (6) to *adjust* frequency. Clockwise to increase, counterclockwise to decrease.

Press **PUSH** knob (6), "-" displayed under frequency which means adjust frequency's stepping.

Push or rotate the **PUSH** knob (6) is also used to *set* functions or parameters.

7) CLARIFIER

This **CLARIFIER** knob (7), allows a frequency deviation during reception in order to improve the clearness of your correspondent's voice.

8) MIC GAIN

In **POWER ON** status, rotate **MIC GAIN** knob (8) to *adjust* microphone gain. LCD shows "**nl [XX**" for 5 seconds which means microphone gain level. Total is **55** levels. Clockwise to increase, counterclockwise to decrease.

In **PA** status, rotate **MIC GAIN** knob (8) to *adjust* volume. LCD shows "**nl [XX**" for 5 seconds which means microphone volume level. Total is **55** levels. Clockwise to increase, counterclockwise to decrease.

9) RF GAIN

In **RX**, rotate **RF GAIN** knob (9) to *adjust* **RX** gain. Clockwise to increase, counterclockwise to decrease.

10) ▲/▼ CHANNEL/FREQUENCY SELECTOR

▲/▼ keys (10) allows *increasing* or *decreasing* a channel number or a frequency number according the choose done in the [**UP dn**] menu (see § **▲/▼ KEYS SETTING**, page 12).

A “**Beep**” sounds each time the channel/frequency changes if the **BEEP** function is activated (see **KEY BEEP** function page 9).

In **MENU** status, the ▲/▼ keys allows to *select* menu.

11) LCD



TX	Indicates transmission
	Indicates that front panel keys are locked except PIT pedal and knobs. LCD shows “ <i>Err</i> ” when locked key is pressed
	Beep function activated
SWR	on TX , bargraph shows Standing Wave Ratio (SWR) and value (see INDIC function following)
ROGER	ROGER BEEP function is activated
ECHO	ECHO function is activated
DW	DUAL WATCH activated
10K	Frequency +10K function is activated
NB	NB filter activated
ANL	ANL filter activated
HI-CUT	HI-CUT filter activated
EMG	The emergency channel 9 or 19 activated
SCAN	SCAN function activated
	Automatic Squelch Control activated
VOX	VOX function activated
MEM	Memorised frequency is selected
DCS	DCS code is used
CTCSS	CTCSS tone is used
AM	AM mode selected
FM	FM mode selected

USB	USB mode selected
LSB	LSB mode selected
CW	CW mode selected
PA	PA (Public Address) mode selected
88	Shows the channel number
88	Shows the current Band
888	Shows DCS code or CTCSS tone
888888	Shows the frequency and menu values

12) INDIC ~ CALL

INDIC (short press)

Press **INDIC** key (12) to *display* current voltage, shows as “*13.8dC*” in LCD. Press **INDIC** key (12) again or wait for 5 seconds to *disable* voltage display. In **TX**, press **INDIC** key (12) to *select* the feature to be displayed. LCD alternates with: FREQUENCY ~ SWR ~ TOT ~ VOLTAGE. Every time the **PIT** pedal is pressed, LCD shows frequency and selected feature.

CALL (long press)

Press **INDIC-CALL** key (12) every time to *send* pre-editing prompt voice code calling. LCD shows “**TX**”. (see § **CALL FREQUENCY**, page).

13) ECHO ~ ECHO SET

ECHO (short press)

Press **ECHO** key (13) to *enable/disable* **ECHO** function. LCD shows “**ECHO**”.

ECHO SET (long press)

Press **ECHO-ECHO SET** key (13) to *set* ECHO VOLUME level and ECHO TIME. “**ECHO**” blinks on the LCD.

Press ▲/▼ keys (10) on the unit or on the microphone (24) to *select* alternately “**DELAY**” or “**E TIME**” on the menu list.

Rotate **PUSH** knob (6) to *set* the selected feature. There are **64** DELAY levels, default: **25**. There are **64** “TIME”, default: **30**. LCD shows selected “**DELAY**” level or selected “**E TIME**”.

Press **MEM-STORE** (5) key for 2 seconds to *store* and *skip* into next menu. Wait for 5 seconds to *exit* **ECHO SET**.

14) EMG 1/2 ~ LOCK

EMG 1/2 (short press)

Press **EMG 1/2** key (14) to activate priority Channels. LCD shows “**EMG**”. First time to select the first priority channel, second time to select the second priority channel, third time to go back to current channel. The default priority channels are channel 9 and channel 19 (see § **PRIORITY CHANNEL SETTING** page 12).

LOCK (long press)

Long press EMG 1/2-**LOCK** key (14) to *enable* key **LOCK** function. LCD shows “**o**”.

Long press EMG 1/2-**LOCK** key (14) again to *disable* key **LOCK** function. “**o**” disappears from LCD.

Note: When active, front panel keys are locked except **PTT** pedal and rotatory knobs (**PUSH** knob (6) is locked). LCD shows “**Err**” when locked key is pressed.

15) NB/ANL ~ HI-CUT

NB/ANL (short press)

3 positions switch: **Off** (no filter) • **NB** (NB filter activated) • **NB/ANL** (both filters activated). When active, the filter is displayed on the LCD.

NB: Noise Blanker / **ANL:** Automatic Noise Limiter. These filters allow reducing back ground noises and some reception interferences.

HI-CUT (long press)

HI-CUT: Cuts out the high frequency interferences and has to be used in accordance with the reception conditions. When active “**HI-CUT**” is displayed on the LCD.

16) ROGER ~ BEEP

ROGER BEEP (short press)

Press **ROGER** key (16) to *enable/disable* the **ROGER BEEP** function.

“**ROGER**” appears on the LCD when the function is active.

The Roger Beep sounds when the **PTT** pedal (23) of the microphone is released in order to let your correspondent speak. Historically as transceiver is a “simplex” communication mode, it is not possible to speak and to listen at the same time (as it is the case with a telephone). Once someone had finished talking, he said “Roger” in order to prevent his correspondent that it was his turn to talk. The word “Roger” has been replaced by a significant beep. There comes “Roger beep” from.

KEY BEEP (long press)

Press **ROGER-BEEP** key (16) for 2 seconds to *enable/disable* the **KEY BEEP** function.

A beep sounds when key is pressed, changing the channel etc. “**♪**” appears on the display when the function is active.

17) SCAN ~ DW

SCAN (short press)

Press **SCAN** key (17) to *enable* **SCAN** function. LCD shows “**SCAN**”. The scanning stops as soon as there is a busy channel. In **SCANNING**, press **▲/▼** to change scan direction.

Press **SCAN** key (17) again or **PTT** pedal (23) to *exit* scan.

DUAL WATCH (long press)

This function allows to *survey* between channel set on in the [**dJL**] menu (see page 12) and the current channel.

Long press **SCAN-DW** key (17) to *enable* **DW** function. LCD shows “**DW**”.

Long press **SCAN-DW** key (17) again or **PTT** pedal (23) to *exit* **DW** function.

18) MODE ~ CTCSS/DCS

MODE (short press)

Press **MODE** key (18) to *select* the modulation mode: AM ~ FM ~ USB ~ LSB ~ CW or PA. Corresponding mode is displayed on the LCD.

Your modulation mode has to correspond to the one of your correspondent.

- Frequency Modulation / **FM:** for nearby communications on a flat open field.
- Amplitude Modulation / **AM:** communication on a field with relief and obstacles at middle distance (the most used).
- Upper and Lower Side Band / **USB-LSB:** used for long distance communications (according to the propagation conditions).
- **CW** is used with morse key on the **CW KEY** jack on the back panel (F).
- An external loud speaker can be connected to your LINCOLN II + ASC by the **PA** jack plug situated on the back panel PA.SP (D). The message transmitted into the microphone will be directed towards the external speaker and be amplified. See § **MIC GAIN** page 7 for adjustment of volume.

CTCSS/DCS (long press)

This function is only enabled in FM modulation

- Long press **MODE-CTCSS/DCS** key (18) to *enable* CTCSS tone or DCS code. “**CTCSS**”, “**DSC**” and “**oFF**” blinks by default on the LCD (or an old stored value, ex: “**CTCSS**” / “**04**”).

- Rotate **PUSH** knob (6) to *set* desired CTCSS tone. There are **38** CTCSS tones from **01** to **38**.
- Continue to rotate **PUSH** knob (6) to *set* desired DCS code. There are **104** DCS codes from **001** to **104**.
- Select "**oFF**" to *clear* the memorized CTCSS tone or DCS code.
- Depending on the configuration of the menu [**CdtSEt**] (See § 17 page 12) press MEM-STORE key (5) for 2 seconds in order to:
 - In "**EQ**" mode:
 - *store* the CTCSS tone or DCS code. The blinking stops.
 - In "**UT**" mode:
 - *store* the CTCSS tone or DCS code of the reception (**RX**).
 - "**TX**" blinks in addition to the selected data.
- Rotate **PUSH** knob (6) to *set* desired CTCSS tone or DCS code of the transmission (**TX**).
- Press MEM-STORE key (5) for 2 seconds to store the CTCSS tone or DCS code of the transmission (**TX**). The blinking stops.
- Long press MODE-CTCSS/DCS key (18) to *disable* CTCSS tone or DCS code. See tables on page 51.

19) VOX ~ VOX SET

VOX (short press)

The **VOX** function allows transmitting by speaking into the original microphone (or in the optional vox microphone) without pressing the **PIT** pedal (23). In case of the use of an optional vox mike connected to the rear panel of the radio - **VOX** MIC jack (E), the original microphone doesn't work.

Press the **VOX** key (19) in order to *activate* the **VOX** function. "**VOX**" is displayed on the LCD. A new pressure on the **VOX** key (19) switches the function *off*. "**VOX**" disappears from the LCD.

VOX SET (long press)

Press for 2 second the **VOX-VOX SET** key (19) in order to *activate* the **VOX SET** function (if the **VOX** function is *off*, this will turn the function *on* and display "**VOX**" on the LCD). "**SEnS, t**" appears on the LCD.

Three features are possible: **Sensitivity** level, **Anti-Vox** level and **Vox Delay** time.

Press **▲/▼** keys (10) in order to *select* to the following feature. LCD shows the feature.

Rotate **PUSH** (6) to *set* the feature.

Press MEM/STORE key (5) to *store* and *skip* into the next feature.

Once the adjustments are done, press the **VOX-VOX SET** key (19) in order to *quit* the **VOX SET** function. If any adjustment have been done during 5

seconds, the transceiver will *quit* the **VOX SET** function automatically.

- Sensitivity "**SEnS, t**": allows the adjustment of the microphone (original one or optional vox) for an optimum transmission quality. Adjustable level from **1** (high sensibility) to **9** (low sensibility). Default: **5**.
- Anti-Vox "**RnEt**": allows disabling the transmission generated by the surrounding noise. The level is adjustable: **0** (OFF), from **1** (high level) to **9** (low level). Default: **9**.
- Delay Time "**DELAY**": allows avoiding the sudden cut of the transmission by adding a delay at the end of speaking. The level is adjustable from **1** (short time delay) to **9** (long time delay). Default: **1**.

20) SPLIT ~ SPLIT SET

SPLIT (short press)

The **SPLIT** function allows to *transmit* and *receive* on separated frequencies. Press **SPLIT** key (20) to *enable* repeater function, LCD shows "**SPL It on**" for 5 seconds.

Press **SPLIT** key again to *disable* repeater function, LCD shows "**SPL It of**" for 5 seconds.

Note: In **TX** mode, Channel, Band and Frequency are blinking if the **SPLIT** function is active.

SPLIT SET (long press)

Long press **SPLIT-SPLIT SET** key (20) to *set* repeater's **OFFSET** and **DIRECTION**
Press **▲/▼** (10) to *alternate* between **FREQUENCY OFFSET** and **DIRECTION** in the menu list.

Rotate **PUSH** (6) knob to *set* desired feature.

Press MEM/STORE key (5) for 2 seconds to *store* and *skip* into next menu.

Press **SPLIT** key (20) or wait for 5 seconds to *exit SPLIT SET* function.

- **FREQUENCY OFFSET**: frequency blinks on the LCD.
- **DIRECTION**: LCD shows "**SPL, t**". "**+**" in LCD means positive offset set in current channel, "**-**" means negative offset set in current channel.

21) BAND ~ +10KHz

BAND (short press)

Press **BAND** key (21) for *quick movement* skipping 200 kHz in **A ~ b ~ [~ d ~ E ~ F ~ 9 ~ H ~ I ~ J** segments.

+10KHz (long press)

Long press **BAND+10KHz** key (21) to *enable* frequency +10KHz. LCD shows "**10K**"

Long press BAND+10KHz key (21) again to *disable* frequency +10KHz. "10K" disappears from the LCD.

22) 6 PIN MICROPHONE PLUG

The plug is located on the front panel of the transceiver and makes the setting of the equipment into the dashboard easier.

See *Cabling Diagram page 51*.

23) PTT

Transmission key, press to transmit a message, "TX" is displayed and release to listen to an incoming communication.

A) DC-POWER TERMINAL (13,8 V)

B) ANTENNA CONNECTOR (SO-239)

C) EXTERNAL SPEAKER JACK (8 Ω, Ø 3,5 mm)

D) JACK FOR OPTIONAL PA (Public Address) (Ø 3.5 mm)

E) JACK FOR OPTIONAL VOX MIKE (Ø 2.5 mm)

F) JACK FOR CW DEVICE (Ø 3.5 mm)

G) USB DATA (PC setting in option)

C) MENU FUNCTIONS

Press the **MENU** key (4) for 2 seconds to *enter* in the menu function setting. "FUNC" appears on the LCD.

Use ▲/▼ keys (10) to *select* the desired function.

Use rotary **PUSH** knob (6) to *set* the function.

Press any key except **PUSH** knob (6) or wait for 5 seconds to *store* and *exit*. "FUNC" disappears from the LCD.

1) ROGER BEEP FREQUENCY

Set the **FREQUENCY** of the **ROGER BEEP**.

At [**r bEePfr**] menu, rotate **PUSH** knob (6) to *set* the **Frequency**.

Frequency range: 300 Hz ~ 3000 Hz, stepping frequency: 10 Hz, default: 1050 Hz. Press **PUSH** knob (6) to *change* the step.

2) ROGER BEEP TIME

Set the **TIME** (ms) of the **ROGER BEEP**.

At [**r bEePt**] menu, rotate **PUSH** knob (6) to *set* the delay **Time**.

Time range 50 ~ 1000 ms, time stepping: 50 ms, default: 500 ms. Press **PUSH** knob (6) to *change* the step.

3) CW FREQUENCY

Set the **FREQUENCY** of the **CW**.

At [**CwLtaFr**] menu, rotate **PUSH** knob (6) to *set* the **Frequency**.

Frequency range: 300 Hz ~ 3000 Hz, stepping frequency: 10 Hz, default: 1050 Hz. Press **PUSH** knob (6) to *change* the step.

4) CALL FREQUENCY

Set the **FREQUENCY** of the **CALL** tone.

At [**CALL Fr**] menu, rotate **PUSH** knob (6) to *set* the **Frequency**.

Frequency range: 300 Hz ~ 3000 Hz, stepping frequency: 10 Hz, default: 1050 Hz. Press **PUSH** knob (6) to *change* the stepping.

5) MONITOR GAIN VOLUME

Set the **OUTPUT VOLUME LEVEL** of the microphone in your own speaker.

At [**MontrNo**] menu, rotate **PUSH** knob (6) to *set* the **Monitor** volume level. There are 32 levels. "OFF" *disable* the function.

6) TOT (Time Out Timer)

Set the **TOT**. If the **PTT** pedal (23) is pressed for more than "TOT" time, the transmission ends.

At [**tot**] menu, rotate **PUSH** knob (6) to *set* the **TOT**. "oF" *disable* the function. Time range 30 ~ 600 s, time stepping: 30 s, default: 100 s.

7) SWR PROTECTION

Enable/disable the **SWR PROTECTION**.

At [**ESr**] menu, rotate **PUSH** knob (6) to *enable* "on" or *disable* "oF" the protection. Default: "on".

8) SWR PROTECTION SETTING

Set the **SWR LEVEL PROTECTION**.

At [**SUlrH l**] menu, rotate **PUSH** knob (6) to *set* the protection **Level**.

Level range: 12 ~ 200, stepping: 1, default: 200. Press **PUSH** knob (6) to *change* the step. The **SWR** level is useful only in the **SWR** protection function is active.

9) VOLTAGE PROTECTION

Enable/disable **VOLTAGE PROTECTION**.

At [**bREPr oF**] menu, rotate **PUSH** knob (6) to *enable* "on" or *disable* "oF" the protection. Default: "on".

10) VOLTAGE PROTECTION HIGH

Set the **HIGHER LIMIT** of **VOLTAGE PROTECTION**.

At [**SEt dCH**] menu, rotate **PUSH** knob (6) to *set* the **High** limit. Voltage range: 900 ~ 1700 V, stepping: 0.1 V, default: 1700. Press **PUSH** knob (6) to change the step. The **HIGH** limit is useful only if the **VOLTAGE** protection function is active.

11) VOLTAGE PROTECTION LOW

Set the **LOWER LIMIT** of **VOLTAGE PROTECTION**.

At [**SEt dLo**] menu, rotate **PUSH** knob (6) to *set* the **Low** limit. Voltage range: 900 ~ 1700 V, stepping: 0.1 V, default: 900. Press **PUSH** knob (6) to change the step. The **LOW** limit is useful only if the **VOLTAGE** protection function is active.

12) SCAN TYPE

Select the **TYPE** of **SCAN**.

At [**SCAn tYP**] menu, rotate **PUSH** knob (6) to *select* the **Type**.

“**SS**” means scanning stops when busy channel is founded.
“**t**” means scanning stops when busy channel is founded and return to scan after 5 seconds.

13) BACKLIGHT COLOR

Select the **BACKLIGHT COLOR** of the unit.

At [**CoLoR**] menu, rotate **PUSH** knob (6) to *select* the **Color**. Three colors are possible “**Or**” (orange/default), “**Gr**” (green) or “**bl**” (blue).

14) BACKLIGHT BRIGHTNESS

Adjust the **BACKLIGHT BRIGHTNESS** of the unit.

At [**br, Sh**] menu, rotate **PUSH** knob (6) to *select* the **BRIGHTNESS**. Brightness level: 1 ~ 9, default: 9.

15) ▲/▼ KEYS SETTING

Select the **UP/DOWN KEY** feature.

At [**UP dn**] menu, rotate **PUSH** knob (6) to *select* the **Feature**.

“**CH**” means ▲/▼ keys changes **CHANNEL** (default).

“**Fr**” means ▲/▼ keys changes **FREQUENCY**.

Note: If **FREQUENCY** is selected. Press **PUSH** knob (6) to select the frequency digit to be increased by the ▲/▼ keys.

16) DW SETTING

Set the **CHANNEL** use with **DUAL WATCH** function.

At [**duJ**] menu, press **BAND** key (21) to *select* desired band, press **MODE** key (18) to select desired modulation mode, rotate **PUSH** knob (6) to *select*

channel. Default: band: 1 - modulation: **FM** - channel: **09**.
See **DUAL WATCH** function, page 9.

17-18) PRIORITY CHANNEL SETTING

Configure the priority channels. In the [**EPri 1**] menu, press the **BAND** button (21) to *select* the desired band, press the **MODE** button (18) to *select* the desired modulation mode, turn the **PUSH** button (6) to *select* the first priority channel. Press the **PUSH** button (6) to *confirm* and *store*. Same procedure for the second priority channel in the [**EPri 2**] menu. The channels **9** and **19** are; the default channels.

See the **EMG 1/2** function page 9.

19) CTCSS / DCS SETTING

Set the operating mode of **CTCSS/DCS**.

In the menu [**CDt SEt**], rotate the **PUSH** knob (6) to *select* the operating mode of **CTCSS** and **DCS**.

In “**EQ**” mode, the value (of tone and code) is **equivalent** for transmission and reception (default mode).

In “**UT**” mode, the value (of tone and code) for transmission can be different (**unlike**) from the one of reception.

See function **CTCSS/DCS** page 9.

20) RESET

Initialization of the unit.

At [**rESEt**] menu, *select* “**OPt**” for all functions setting initialised, *select* “**RL**” for all functions and channels setting initialized.

Short press **PUSH** knob (6) to *confirm*. Wait until LCD shows “**rESEnd**”.

D) TECHNICAL CHARACTERISTICS

1) GENERAL

- Modulation modes : AM / FM / USB / LSB / CW
- Frequency ranges : from 28.000 MHz to 29.700 MHz
: from 24.890 MHz to 24.990 MHz
- Antenna impedance : 50 ohms
- Power supply : 13.8 V
- Dimensions (in mm) : 170 (W) x 250 (D) x 52 (H)
- Weight : 1,4 kg
- Accessories supplied : microphone UP/DOWN with support, mounting cradle, screws and fused power cord.

2) TRANSMISSION

- Frequency allowance : +/- 300 Hz
- Carrier power : 12 W AM / 35 W FM /
35 W USB-LSB (PEP) / 12 W CW
- Transmission interference : inferior to - 50 dBc
- Audio response : 300 Hz to 3 KHz in AM/FM/USB/LSB
- Emitted power in the adj. channel : inferior to 20 μ W
- Microphone sensitivity : 3.0 mV
- Drain : 6 A (with modulation)
- Modulated signal distortion : 2 %

3) RECEPTION

- Maxi. sensitivity at 20 dB sinad : 0.7 μ V - 110 dBm (AM)
0.35 μ V - 116 dBm (FM)
0.28 μ V - 118 dBm (USB/LSB/CW)
- Frequency response : 300 Hz to 3 kHz in AM/FM/LSB/USB
- Adjacent channel selectivity : 60 dB
- Maximum audio power : 3 W
- Squelch sensitivity : minimum 0.2 μ V - 120 dBm
maximum 1 mV - 47 dBm
- Frequency image rejection rate : 60 dB
- Intermediate frequency rej. rate : 70 dB
- Drain : 400 mA nominal / 600 mA maximum

E) TROUBLE SHOOTING

1) YOUR transceiver RADIO WILL NOT TRANSMIT OR YOUR TRANSMISSION IS OF POOR QUALITY

- Check that the antenna is correctly connected and that the SWR is properly adjusted.
- Check that the microphone is properly plugged in.
- Check that the **RF POWER** switch (2) is set on maximum.
- Check that the **MIC GAIN** switch (8) is set on maximum.
- Check that the **CLARIFIER** (7) switch is set on central position.

2) YOUR transceiver RADIO WILL NOT RECEIVE OR RECEPTION IS POOR

- Check that the squelch level is properly adjusted.
- Check that the volume is set to a comfortable listening level.
- Check that the antenna is correctly connected and that the SWR is properly adjusted.

- Check that you are using the same modulation mode as your correspondent.
- Check that the **RF GAIN** (9) is set on maximum.
- Check that the **CLARIFIER** (7) switch is set on central position.

3) YOUR transceiver WILL NOT LIGHT UP

- Check the power supply.
- Check the connection wiring.
- Check the fuse.

F) GLOSSARY

INTERNATIONAL PHONETIC ALPHABET

A Alpha	H Hotel	O Oscar	V Victor
B Bravo	I India	P Papa	W Whiskey
C Charlie	J Juliett	Q Quebec	X X-ray
D Delta	K Kilo	R Romeo	Y Yankee
E Echo	L Lima	S Sierra	Z Zulu
F Foxtrott	M Mike	T Tango	
G Golf	N November	U Uniform	

GENERAL WARRANTY CONDITIONS

This device is guaranteed **2 years** parts and labour in its country of purchase against any manufacturing defects validated by our technical department. PRESIDENT After Sales Service department reserves the right not to apply the warranty in the event a breakdown is caused by an antenna other than those distributed by PRESIDENT. An extension of **3 years** warranty is proposed systematically for the simultaneous purchase of a device and a PRESIDENT antenna, bringing the total duration of the warranty to **5 years**. In order to be valid, the warranty registration must be completed and submitted within a period of 30 days after the purchase date to PRESIDENT ELECTRONICS online at www.president-electronics.us/warranty-registration. You can also access this warranty registration page by using your smartphone to read (application must be available) the QR code on the enclosed warranty card. You will receive a confirmation email if the registration is successfully completed. Please keep a copy of this email for your records.

Any repair under warranty will be without charge and the return delivery costs will be borne by PRESIDENT. A proof of purchase sales receipt must be included with the device to be repaired. The dates listed on the warranty registration and proof of purchase must match. In case the device is not under warranty, the repair and return of the device will be charged.

No spare parts will be sent nor exchanged by PRESIDENT under warranty. Do not proceed with the installation of the device without reading the user manual.

The warranty is only valid in the country of purchase.

Exclusions (not covered by Warranty):

- Damages caused by accident, shock or inadequate packaging.
- Power transistors, microphones, lights, fuses and the disrespect of the installation and use of specifications (including but not limited to antenna used with too high power, final output power transistors (SWR), inversion of polarities, bad connections, over voltage...).
- The warranty cannot be extended due to the non-availability of the device while it is being serviced at PRESIDENT After Sales Service department, nor by a change of one or more components or spare parts.
- Transceivers which have been modified. The warranty application is excluded in case of modification or poor maintenance done by a third party not approved by PRESIDENT ELECTRONICS.

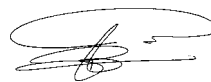
If you note a malfunction:

- Check the power supply of your device and the quality of the fuse.
- Check that the antenna, the microphone are correctly connected.
- Check that the squelch level is properly adjusted; the programmed configuration is the correct one.
- In the event of a real malfunction, please contact your dealer first. He will decide what action

should be taken.

In case of an intervention not covered by warranty, an estimate will be established before any repair.

Thank you for your confidence in the PRESIDENT quality and experience. We recommend that you read this manual carefully so that you are completely satisfied with your purchase.



Technical Manager
and
Quality Manager



AVERTISSEMENT PROPOSITION 65 : Ce produit contient un produit chimique connu dans l'État de Californie pour provoquer des cancers et des malformations congénitales ou d'autres problèmes de reproduction.

ATTENTION !

- *Il est nécessaire de faire la demande d'une licence radioamateur pour l'utilisation de cet appareil.*
- *Avant toute utilisation, prenez garde de ne jamais émettre sans avoir branché l'antenne (connecteur **B** situé sur la face arrière de l'appareil), ni réglé le TOS (Taux d'Ondes Stationnaires) !
Sinon, vous risquez de détruire l'amplificateur de puissance, ce qui n'est pas couvert par la garantie.*

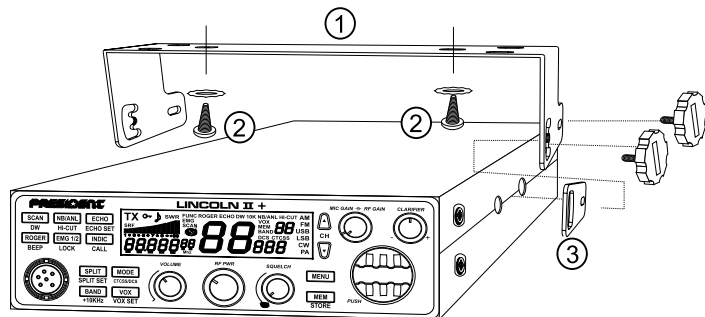
La garantie de ce poste est valable uniquement dans le pays d'achat.

Bienvenue dans le monde des émetteurs-récepteurs CB de la dernière génération. Cette nouvelle gamme de postes vous permet d'accéder à la communication électronique la plus performante. Grâce à l'utilisation de technologies de pointe garantissant des qualités sans précédent, votre PRESIDENT LINCOLN II + ASC est un nouveau jalon dans la convivialité et la solution par excellence pour le radioamateur le plus exigeant. Pour tirer le meilleur parti de toutes ses possibilités, nous vous conseillons de lire attentivement ce mode d'emploi avant d'installer et d'utiliser votre PRESIDENT LINCOLN II + ASC.

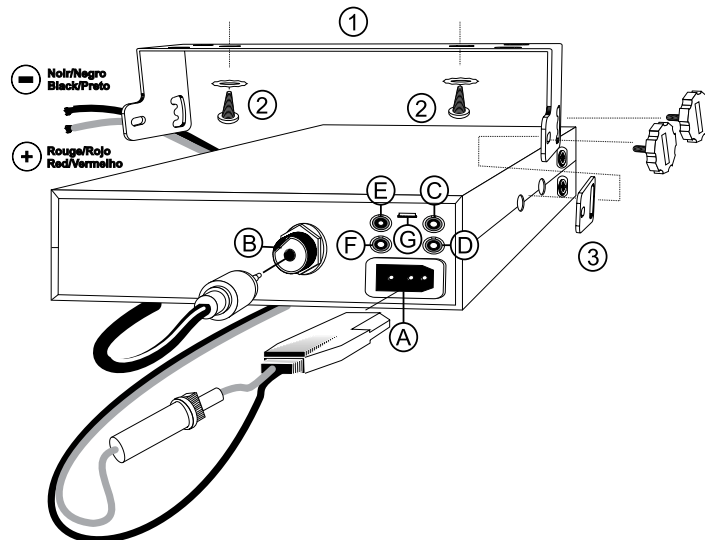
A) INSTALLATION

1) CHOIX DE L'EMPLACEMENT ET MONTAGE DU POSTE MOBILE

- Choisir l'emplacement le plus approprié pour une utilisation simple et pratique de votre poste mobile.
- Veiller à ce qu'il ne gêne pas le conducteur ni les passagers du véhicule.
- Prévoir le passage et la protection des différents câbles (alimentation, antenne, accessoires...) afin qu'ils ne viennent en aucun cas perturber la conduite du véhicule.
- Utiliser pour le montage le berceau (1) livré avec l'appareil, le fixer solidement à l'aide des vis auto taraudeuses (2) fournies (diamètre de perçage 3,2 mm). Prendre garde à ne pas endommager le système électrique du véhicule lors du perçage du tableau de bord.



- Lors du montage, ne pas oublier d'insérer les rondelles de caoutchouc (3) entre le poste et son support. Celles-ci jouent en effet un rôle «d'amortisseur» et permettent une orientation et un serrage en douceur du poste.
- Choisir un emplacement pour le support du micro et prévoir le passage de son cordon.



- NOTA :** Votre poste mobile possédant une prise micro en façade peut être encastré dans le tableau de bord. Dans ce cas, il est recommandé d'y adjoindre un haut-parleur externe pour une meilleure écoute des communications (connecteur EXP SP situé sur la face arrière de l'appareil : C). Renseignez-vous auprès de votre revendeur le plus proche pour le montage sur votre appareil.

2) INSTALLATION DE L'ANTENNE

a) Choix de l'antenne

- Plus une antenne est grande, meilleur est son rendement. Votre Point Conseil saura orienter votre choix.

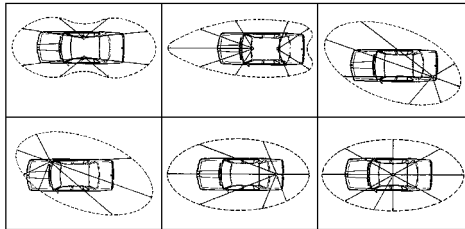
b) Antenne mobile

- Il faut l'installer à un endroit du véhicule où il y a un maximum de surface métallique (plan de masse), en s'éloignant des montants du pare-brise et de la lunette arrière.
- Dans le cas où une antenne radiotéléphone est déjà installée, l'antenne doit être au-dessus de celle-ci.

- Il existe 2 types d'antennes : les pré réglées et les réglables.
Les pré réglées s'utilisent de préférence avec un bon plan de masse (pavillon de toit ou malle arrière) et les réglables offrant une plage d'utilisation beaucoup plus large permettent de tirer parti de plans de masse moins importants (voir § **RÉGLAGE DU TOS** ci-dessous).
- Pour une antenne à fixation par perçage, il est nécessaire d'avoir un excellent contact antenne/plan de masse; pour cela, gratter légèrement la tôle au niveau de la vis et de l'étoile de serrage.
- Lors du passage du câble coaxial, veiller à ne pas le pincer ou l'écraser (risque de rupture et/ou de court-circuit).
- Brancher l'antenne (B).

c) Antenne fixe

- Veiller à ce qu'elle soit dégagée au maximum. En cas de fixation sur un mât, il faudra éventuellement haubaner conformément aux normes en vigueur (se renseigner auprès d'un professionnel). Les antennes et accessoires PRESIDENT sont spécialement conçus pour un rendement optimal de chaque appareil.



LOBE DE RAYONNEMENT

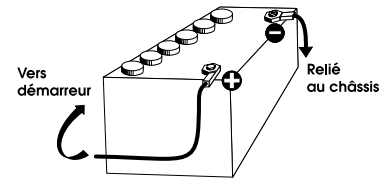
3) CONNEXION DE L'ALIMENTATION

Votre PRESIDENT LINCOLN II + ASC est muni d'une protection contre les inversions de polarité. Néanmoins, avant tout branchement, vérifier vos connexions. Votre poste doit être alimenté par une source de courant continu de 12 Volts (A). À l'heure actuelle, la plupart des voitures et des camions fonctionnent avec une mise à la masse négative. On peut s'en assurer en vérifiant que la borne (-) de la batterie soit bien connectée au bloc moteur ou au châssis. Dans le cas contraire, consulter votre revendeur.

ATTENTION : Les camions possèdent généralement deux batteries et une installation électrique en 24 Volts. Il sera donc nécessaire d'intercaler dans le circuit électrique un convertisseur 24/12 Volts (Type PRESIDENT CV 24/12). Toutes les opérations de branchement suivantes doivent être effectuées cordon d'alimentation non raccordé au poste.

- S'assurer que l'alimentation soit bien de 12 Volts.
- Repérer les bornes (+) et (-) de la batterie (+ = rouge et - = noir). Dans le cas où il serait nécessaire de rallonger le cordon d'alimentation, utiliser un câble de section équivalente ou supérieure.
- Il est nécessaire de se connecter sur un (+) et un (-) permanents. Nous vous conseillons donc de brancher directement le cordon d'alimentation sur la batterie (le branchement sur le cordon de l'autoradio ou sur d'autres parties du circuit électrique pouvant dans certains cas favoriser la réception de signaux parasites).
- Brancher le fil rouge (+) à la borne positive de la batterie et le fil noir (-) à la borne négative de la batterie.
- Brancher le cordon d'alimentation au poste.

ATTENTION : Ne jamais remplacer le fusible d'origine (6 A) par un modèle d'une valeur différente !



4) OPÉRATIONS DE BASE A EFFECTUER AVANT LA PREMIERE UTILISATION, SANS PASSER EN ÉMISSION (sans appuyer sur la pédale du micro)

- Brancher le micro.
- Vérifier le branchement de l'antenne.
- Mise en marche de l'appareil : tourner le bouton **VOLUME** (1) dans le sens des aiguilles d'une montre.
- Tourner le bouton **SQUELCH** (3) au minimum.
- Régler le bouton **VOLUME** à un niveau convenable.
- Amener le poste sur le canal 20 à l'aide des touches ▲/▼ (10).

5) RÉGLAGE DU TOS (Taux d'Ondes Stationnaires)

Réglage avec un TOS-mètre intégré

Amener le poste en AM ou FM à l'aide de la touche **MODE** (18). A l'aide du rotateur **PUSH** (6) ou des touches ▲/▼ (10) positionner l'appareil au milieu de la bande (il est conseillé de vérifier les valeurs obtenues sur les fréquences extrêmes). Vérifiez que le bouton **RF PWR** (2) soit au maximum. Appuyez sur la touche **INDIC** (12) en mode **TX** jusqu'à ce que «SWR» s'affiche. Si nécessaire, ajuster votre antenne pour être le plus proche de **01.0**.

Remarque : Afin d'éviter les pertes et atténuations dans les câbles de connexion entre la radio et ses accessoires, PRESIDENT recommande une longueur de câble inférieure à 3 m.

Maintenant, votre poste est prêt à fonctionner.

B) UTILISATION

1) MARCHÉ/ARRÊT ~ VOLUME

Pour **allumer** votre poste : tourner le bouton **VOLUME (1)** dans le sens des aiguilles d'une montre jusqu'au bip sonore et l'affichage du canal utilisé. Votre radio est allumé «**on**».

Pour **éteindre** votre poste : tourner le bouton **VOLUME (1)** dans le sens inverse des aiguilles d'une montre jusqu'au click d'arrêt. Votre radio est éteinte «**off**». Pour **ajuster** le volume sonore, tourner le bouton **VOLUME (1)**.

L'afficheur LCD indique durant 5 secondes le niveau de volume «**LXX**». Pour augmenter le volume, tourner le bouton dans le sens des aiguilles d'une montre. Vous disposez de **55** niveaux de réglage. Pour diminuer le volume, tourner le bouton dans le sens inverse des aiguilles d'une montre.

2) RF POWER

En mode **TX**, tourner le bouton **RF PWR (2)** pour **régl**er la puissance de sortie FM/AM/USB/LSB ; dans le sens des aiguilles d'une montre pour augmenter la puissance, dans le sens inverse des aiguilles d'une montre pour diminuer la puissance.

3) ASC (Automatic Squelch Control) / SQUELCH

Cette fonction permet de **supprimer** les bruits de fond indésirables en l'absence de communication. Le squelch ne joue ni sur le volume sonore ni sur la puissance d'émission, mais il permet d'améliorer considérablement le confort d'écoute.

a) ASC : SQUELCH À RÉGLAGE AUTOMATIQUE

Brevet mondial, exclusivité PRESIDENT.

Tourner le bouton du **SQUELCH (3)** dans le sens contraire des aiguilles d'une montre en position **ASC**. «**ASC**» apparaît sur l'afficheur. Aucun réglage manuel répétitif et optimisation permanente entre la sensibilité et le confort d'écoute lorsque l'**ASC** est actif. Cette fonction peut être désactivée par rotation du bouton dans le sens des aiguilles d'une montre. Dans ce cas le réglage du squelch redevient manuel. «**ASC**» disparaît de l'afficheur et «**59L on**» s'affiche durant 5 secondes.

b) SQUELCH MANUEL

Tourner le bouton du squelch dans le sens des aiguilles d'une montre jusqu'au point exact où tout bruit de fond disparaît. C'est un réglage à effectuer avec précision, car mis en position maximum (dans le sens des aiguilles d'une montre), seuls les signaux les plus forts peuvent être perçus. «**59L XX**» s'affiche

durant 5 secondes en indiquant le niveau de volume. Vous disposez de **35** niveaux de réglage.

4) MENU

Appuyer pendant 2 secondes sur la touche **MENU (4)** pour **activer** le mode réglage des fonctions du menu. «**FUNC**» s'affiche.

Utiliser les touches **▲/▼ (10)** pour **sélectionner** la fonction désirée.

Tourner le bouton **PUSH (6)** pour **régl**er la fonction.

Appuyez sur n'importe quelle touche exceptée le bouton **PUSH (6)** ou attendez 5 secondes pour **sauvegarder** et **quitter** le mode réglage.

«**FUNC**» disparaît de l'écran.

Voir le § **MENU FONCTIONS** pour plus de détails, page 22.

5) MEM ~ STORE

MEM (pression brève)

Appuyer sur la touche **MEM (5)** pour **entrer** dans le mode mémoire.

Appuyer sur les touches **▲/▼ (10)** pour **sélectionner** le canal pré mémorisé (6 mémoires).

Appuyer sur la touche **MEM (5)** pour **quitter** le mode mémoire.

STORE (pression longue)

Sélectionner le canal, la bande et le mode de modulation désiré.

Maintenir enfoncée la touche **MEM-STORE (5)** pour **entrer** dans le mode réglage et mémorisation du canal. La mémoire clignote sur l'écran LCD.

Tourner le bouton **PUSH (6)** pour **sélectionner** le numéro de la mémoire **n 1 ~ n6**. Maintenir enfoncée la touche **MEM-STORE (5)** jusqu'à ce que la donnée, qui clignote sur l'afficheur, disparaisse. La mémorisation est terminée, **quitter** le mode réglage et mémorisation du canal.

6) ROTATEUR «PUSH»

En mode **POWER ON**, tourner le bouton **PUSH (6)** pour **régl**er la fréquence. Tourner le rotateur dans le sens des aiguilles d'une montre pour augmenter la fréquence et dans le sens inverse des aiguilles d'une montre pour diminuer la fréquence.

Appuyer sur le bouton **PUSH (6)**, «**_**» s'affiche sous la fréquence, afin de **régl**er les pas de fréquence.

Appuyer ou tourner le bouton **PUSH (6)** permet également de **régl**er les fonctions ou les paramètres.

7) CLARIFIER

Le bouton **CLARIFIER (7)** permet le décalage de la fréquence lors de la réception afin d'améliorer la clarté de la voix de votre correspondant.

8) MIC GAIN

En mode **POWER ON**, tourner le bouton **MIC GAIN (8)** pour *ajuster* la sensibilité du micro pour la **transmission**. «**n iC XX**» s'affiche pendant 5 secondes et indique le niveau de sensibilité. Vous disposez de **55** niveaux de réglage. Tourner le bouton dans le sens des aiguilles d'une montre pour augmenter la sensibilité et dans le sens inverse des aiguilles d'une montre pour diminuer la sensibilité.

En mode **PA**, tourner le bouton **MIC GAIN (8)** pour *régler* le volume. «**n iC XX**» s'affiche pendant 5 secondes et indique le niveau de volume du micro. Vous disposez de **55** niveaux de réglage. Tourner le bouton dans le sens des aiguilles d'une montre pour augmenter le volume et dans le sens inverse des aiguilles d'une montre pour diminuer le volume.

9) RF GAIN

En mode **RX**, tourner le bouton **RF GAIN (9)** pour *régler* la sensibilité en réception. Tourner le bouton dans le sens des aiguilles d'une montre pour augmenter le **RF Gain** et dans le sens inverse des aiguilles d'une montre pour diminuer le **RF Gain**.

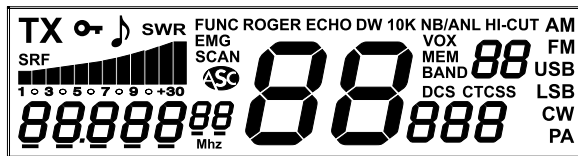
10) TOUCHES ▲/▼ DE SÉLECTION CANAL/FRÉQUENCE

Les touches ▲/▼ (10) permettent de *monter* ou de *descendre* le canal ou la fréquence selon les paramètres sélectionnés dans le menu [UP dn] (voir le § **RÉGLAGE DES TOUCHES ▲/▼**, page 23).

Un «**Beep**» sonore est émis à chaque changement de canal / fréquence si la fonction **BEEP** est activée (voir le § **BEEP DE TOUCHES**, page 20).

En mode **MENU**, les touches ▲/▼ permettent de *sélectionner* les différents menus.

11) AFFICHEUR LCD




Indique l'émission et la réception



Indique que la face avant est verrouillée, excepté la pédale **PIT** et les touches. «**Err**» s'affiche lorsqu'on appuie sur une touche verrouillée



Fonction Beep des touches activée

SWR	En mode TX , le bargraph indique la valeur du TOS (Taux d'ondes stationnaires). Voir fonction INDIC page 19
ROGER	Fonction Roger Beep activée
ECHO	Fonction ECHO activée
DW	Fonction Dual Watch (Double Veille) activée
10K	Fonction fréquence +10K activée
NB	Filtre NB activé
ANL	Filtre ANL activé
HI-CUT	Fonction HI-CUT activée
EMG	Canaux d'urgence 9 ou 19 activés
SCAN	Fonction SCAN activée
	Automatic Squelch Control activé
VOX	Fonction VOX activée
MEM	Fréquence mémorisée sélectionnée
DCS	Utilisation du code DCS
CTCSS	Utilisation de la tonalité CTCSS
AM	Mode AM sélectionné
FM	Mode FM sélectionné
USB	Mode USB sélectionné
LSB	Mode LSB sélectionné
CW	Mode CW sélectionné
PA	Mode PA (Public Address) sélectionné
88	Indique le canal sélectionné
88	Indique la bande sélectionnée
888	Indique le code DCS et la tonalité CTCSS
88888888	Indique la fréquence et les valeurs du menu

12) INDIC ~ CALL

INDIC (pression brève)

Appuyer sur la touche **INDIC (12)** pour *afficher* la tension actuelle, «**i3BdC**», par exemple s'affiche.

Appuyer à nouveau sur la touche **INDIC (12)** ou attendre 5 secondes pour *désactiver* l'affichage de la tension.

En mode **TX**, appuyer sur la touche **INDIC (12)** pour *sélectionner* la fonc-

tion à afficher. FRÉQUENCE ~ TOS ~ TOT ~ TENSION s'affiche en alternance. Chaque fois que la pédale **PIT** est pressée, l'afficheur indique la fréquence et la fonction sélectionnée.

CALL (pression longue)

Appuyer sur la touche **INDIC-CALL (12)** pour envoyer une mélodie d'appel pré réglable. «**TX**» s'affiche. (voir le § **FRÉQUENCE TONALITÉ D'APPEL**, page 23).

13) ECHO ~ ECHO SET

ECHO (pression brève)

Appuyer sur la touche **ECHO (13)** pour **activer/désactiver** la fonction **ECHO**. «**ECHO**» s'affiche.

ECHO SET (pression longue)

Appuyer sur la touche **ECHO-ECHO SET (13)** pour **régler** le niveau de volume et le temps de l'**ECHO**. «**ECHO**» clignote sur l'afficheur.

Appuyer sur les touches ▲/▼ (10) sur le poste ou sur le micro pour **sélectionner** en alternance «**DELAY**» ou «**TIME**» dans la liste du menu.

Tourner le bouton **PUSH (6)** pour **régler** la fonction sélectionnée. Vous disposez de **54** niveaux de réglage du **DELAY** ; le niveau de réglage par défaut est : **25**. Vous disposez de **54** niveaux de réglage du «**TIME**» ; le niveau de réglage par défaut est : **30**. Le niveau du «**DELAY**» ou le «**TIME**» sélectionné s'affiche. Appuyer sur la touche **MEM-STORE (5)** pendant 2 secondes pour **mémoriser** le réglage et passer à l'item suivant dans le menu. Attendre 5 secondes pour **quitter** le menu **ECHO SET**.

14) EMG 1/2 ~ LOCK

EMG 1/2 (pression brève)

Appuyer sur la touche **EMG 1/2 (14)** pour **activer** les canaux prioritaires. L'icône «**EMG**» apparaît. Appuyer 1 fois sur la touche **EMG 1/2 (14)** pour **sélectionner** le premier canal prioritaire **configuré**, 2 fois pour le second canal prioritaire **configuré** et 3 fois pour revenir sur le canal actuel. Les canaux prioritaires par défaut sont le **9** et le **19** (voir le § **CONFIGURATION DES CANAUX PRIORITAIRES** page 24)

LOCK (pression longue)

Appuyer et maintenir enfoncée la touche **EMG 1/2-LOCK (14)** pour **verrouiller** le poste. L'icône «**•••**» apparaît.

Appuyer et maintenir à nouveau enfoncée la touche **EMG 1/2-LOCK (14)** pour **désactiver** la fonction **LOCK**. «**•••**» disparaît de l'afficheur.

Remarque : Les touches et boutons suivants restent accessibles même si la

fonction **LOCK** est activée : la pédale **PIT** et les boutons (le bouton **PUSH (6)** est verrouillé). L'icône «**Err**» s'affiche lorsqu'on appuie sur une touche verrouillée.

15) NB/ANL ~ HI-CUT

NB/ANL (pression brève)

3 positions : **Off** (aucun filtre activé) • **NB** (filtre NB activé) • **NB/ANL** (deux filtres activés). L'icône des filtres activés s'affiche sur l'écran LCD.

NB : Noise Blanker / **ANL** : Automatic Noise Limiter. Ces filtres permettent de réduire les bruits de fond et certains parasites de réception.

HI-CUT (pression longue)

HI-CUT : **Coupe** les interférences de haute fréquence et doit être utilisé en fonction des conditions de réception. «**HI-CUT**» s'affiche lorsque le filtre **HI-CUT** est activé.

16) ROGER ~ BEEP

ROGER BEEP (pression brève)

Appuyer sur la touche **ROGER (16)** pour **activer/désactiver** la fonction **ROGER BEEP**. «**ROGER**» apparaît sur l'afficheur lorsque la fonction **ROGER BEEP** est activée.

Le Roger Beep émet un bref signal lorsqu'on relâche la pédale **PIT (23)** du micro pour indiquer la fin de l'émission à son correspondant. Historiquement, la CB étant un mode de communication «simplex», c'est-à-dire qu'il n'est pas possible de parler et d'écouter en même temps (comme c'est le cas pour le téléphone par exemple), il était d'usage de dire «Roger» une fois que l'on avait fini de parler afin de prévenir son correspondant qu'il pouvait parler à son tour. Le mot «Roger» a été remplacé par un beep significatif, d'où son nom «Roger Beep».

BEEP DE TOUCHES (pression longue)

Appuyer sur la touche **ROGER-BEEP (16)** pendant 2 secondes pour **activer/désactiver** la fonction **BEEP DE TOUCHES**. Un bip sonore retentit lorsqu'une touche est enfoncée, à un changement de canal etc. «**♪**» apparaît sur l'afficheur lorsque la fonction est activée.

17) SCAN ~ DW

SCAN (pression brève)

Appuyer sur la touche **SCAN (17)** pour **activer** la fonction **SCAN**. «**SCAN**» s'affiche. Le balayage s'arrête dès qu'un canal est actif. En mode **SCAN-NING**, appuyer sur les touches ▲/▼ pour changer la direction de balayage des canaux.

Appuyer à nouveau sur la touche **SCAN (17)** ou la pédale **PIT (23)** pour *quitter* la fonction **SCAN**.

DUAL WATCH (DOUBLE VEILLE) (pression longue)

Cette fonction permet d'*effectuer* une veille entre le canal enregistré dans le menu [**dJü**] et le canal actuel (voir le § **CONFIGURATION DOUBLE VEILLE** page 24).

Appuyer et maintenir enfoncée la touche **SCAN-DW (17)** pour activer la fonction **DUAL WATCH**. «**DW**» s'affiche.

Appuyer et maintenir à nouveau enfoncée la touche **SCAN-DW (17)** ou la pédale **PIT (23)** pour *désactiver* la fonction **DUAL WATCH**.

18) MODE ~ CTCSS/DCS

MODE (pression brève)

Appuyer sur la touche **MODE (18)** pour *sélectionner* le mode de modulation: AM ~ FM ~ USB ~ LSB ~ CW ou PA. Le mode sélectionné s'affiche sur l'écran LCD.

Votre mode de modulation doit correspondre à celui de votre interlocuteur.

- Modulation de Fréquence / **FM** : Communication rapprochée sur terrain plat et dégagé.
- Modulation d'Amplitude / **AM** : Communication sur terrain avec reliefs et obstacles sur moyenne distance (mode le plus utilisé).
- **USB - LSB** : Communication longue distance (selon les conditions de propagation).
- **CW** est utilisée avec une clé Morse (un manipulateur Morse) sur la prise **CW KEY** située sur la face arrière (F).
- Un haut-parleur externe peut être connecté à votre LINCOLN II + ASC sur la prise **PA** située sur la face arrière **PA.SP (D)**. Le message transmis dans le micro sera *redirigé* vers le haut-parleur externe et amplifié. Voir le § **MIC GRAIN** page 19 pour le réglage du volume.

CTCSS/DCS (pression longue)

Ces codes ne peuvent être utilisés qu'en mode FM.

- Appuyer et maintenir appuyée la touche **MODE-CTCSS/DCS (18)** pour *activer* la tonalité CTCSS ou le code DCS. «**CTCSS**», «**DCS**» et «**oFF**» clignotent par défaut sur l'afficheur (ou une ancienne valeur mémorisée, ex : «**CTCSS**» / «**04**»).
- Tourner le bouton **PUSH (6)** pour *régler* la tonalité CTCSS désirée. Vous disposez de **38** tonalités CTCSS numérotées de **01** à **38**.
- Continuer de tourner le bouton **PUSH (6)** pour *régler* le code DCS souhaité. Vous disposez de **104** codes DCS numérotés de **001** à **104**.
- Sélectionner «**oFF**» pour *supprimer* la tonalité CTCSS ou le code DCS mémorisé.

- Selon la configuration du menu [**CTSS**] (voir le § **17** page 24), appuyer pendant 2 secondes sur la touche **MEM-STORE (5)** permet :

Dans le mode «E9» de :

- *mémoriser* la tonalité CTCSS ou le code DCS. Le clignotement cesse.

Dans le mode «JN» de :

- *mémoriser* la tonalité CTCSS ou le code DCS de la réception (**RX**).
- «**TX**» clignote, en plus des données choisies.
- Tourner le bouton **PUSH (6)** pour *régler* la tonalité CTCSS ou le code DCS désiré de l'émission (**TX**).
- Appuyer pendant 2 secondes sur la touche **MEM-STORE (5)** pour *mémoriser* la tonalité CTCSS ou le code DCS de l'émission (**TX**). Le clignotement cesse.
- Maintenir enfoncée la touche **MODE-CTCSS/DCS (18)** pour *désactiver* la tonalité CTCSS ou le code DCS.

Voir la liste de tonalités CTCSS et la liste de codes DCS page 51.

19) VOX ~ VOX SET

VOX (pression brève)

La fonction **VOX** permet de transmettre en parlant dans le micro d'origine (ou dans le micro vox optionnel) sans appuyer sur la pédale **PIT (23)**. L'utilisation d'un micro vox optionnel connecté à l'arrière du poste – prise **VOX MIC (E)** – désactive le micro d'origine.

Appuyer sur la touche **VOX (19)** afin d'*activer* la fonction **VOX**. «**VOX**» s'affiche. Appuyer à nouveau sur la touche **VOX (19)** pour *désactiver* la fonction **VOX**. «**VOX**» disparaît de l'afficheur.

VOX SET (pression longue)

Appuyer pendant 2 secondes sur la touche **VOX -VOX SET (19)** pour *activer* la fonction **VOX SET** (si la fonction **VOX** est désactivée, celle-ci sera activée et «**VOX**» s'affiche). «**SEN5, t**» apparaît sur l'afficheur.

Trois réglages sont possibles : **Sensibilité**, **Anti-Vox** et **Temporisation**.

Appuyer sur les touches **▲/▼ (10)** pour *passer* au réglage suivant. L'option de réglage s'affiche à l'écran.

Tourner le bouton **PUSH (6)** pour *sélectionner* le réglage.

Appuyer sur la touche **MEM / STORE (5)** pour *mémoriser* le réglage et *passer* à l'item suivant dans le menu.

Une fois les réglages effectués, appuyer sur la touche **VOX-VOX SET (19)** pour *quitter* le mode *ajustement du VOX*. Si aucun ajustement n'est fait durant 5 secondes, l'appareil quitte automatiquement la fonction **VOX SET**.

- Sensibilité «**SEN5, t**» : permet de régler la sensibilité du micro (original ou vox optionnel) pour une qualité de transmission optimum. Niveau réglable de **1** (niveau haut) à **9** (niveau bas). Valeur par défaut: **5**.
- Anti-Vox «**Ant**» : permet d'*empêcher* l'émission générée par les bruits

ambiants. Niveau réglable: 0 (OFF) et de 1 (niveau haut) à 9 (niveau bas). Valeur par défaut: 9.

- Temporisation «**DELAY**» : permet d'éviter la coupure «brutale» de la transmission en rajoutant une temporisation à la fin de la parole. Niveau réglable de 1 (délai court) à 9 (délai long). Valeur par défaut: 1.

20) SPLIT ~ SPLIT SET

SPLIT (pression brève)

La fonction **SPLIT** permet d'émettre et de recevoir sur des fréquences distinctes. Appuyer sur la touche **SPLIT (20)** pour **activer** la fonction répéteur. «**SPL It^{on}**» s'affiche durant 5 secondes.

Appuyer à nouveau sur la touche **SPLIT (20)** pour **désactiver** la fonction de répétition. «**SPL It^{of}**» s'affiche durant 5 secondes.

Remarque : Lorsque la fonction **SPLIT** est activée, le canal, la bande et la fréquence clignote sur l'afficheur en **TX**.

SPLIT SET (pression longue)

Appuyer et maintenir enfoncée la touche **SPLIT-SPLIT SET (20)** pour régler la fonction répéteur en DÉCALAGE et en DIRECTION.

Appuyer sur les touches ▲/▼ (10) pour **alterner** entre le DÉCALAGE et la DIRECTION dans la liste du menu.

Tourner le bouton **PUSH (6)** pour régler la fonction désirée.

Appuyer pendant 2 secondes sur la touche **MEM-STORE (5)** pour **enregistrer** et passer à l'item suivant dans le menu.

Appuyer sur la touche **SPLIT (20)** ou attendre 5 secondes pour **quitter** la fonction **SPLIT SET**.

- DÉCALAGE: la fréquence clignote sur l'afficheur.
- DIRECTION : «**SPL, L**» s'affiche. Lorsque «**HL**» s'affiche, le décalage est positif dans le canal actuel. Lorsque «**--**» s'affiche, le décalage est négatif dans le canal actuel.

21) BAND ~ +10KHZ

BAND (pression brève)

Appuyer sur la touche **BAND (21)** pour un **saut** rapide de 200 kHz dans les segments **A ~ B ~ C ~ D ~ E ~ F ~ G ~ H ~ I ~ J**.

+10KHz (pression longue)

Appuyer et maintenir enfoncée la touche **BAND-+10KHZ (21)** pour **activer** la fréquence +10 kHz. «**10K**» s'affiche.

Appuyer et maintenir à nouveau enfoncée la touche **BAND-+10KHZ (21)** pour **désactiver** la fréquence +10 kHz. «**10K**» disparaît de l'afficheur.

22) PRISE MICRO 6 BROCHES

Elle se situe en façade de votre appareil et facilite ainsi son intégration dans le tableau de bord de votre véhicule.

Voir le schéma câblage page 51.

23) PTT

Bouton d'émission, appuyer pour parler, «**TX**» s'affiche et relâcher pour recevoir un message.

A) ALIMENTATION (13,8 V)

B) PRISE D'ANTENNE (SO-239)

C) PRISE POUR HAUT-PARLEUR EXTERNE (8 Ω, Ø 3,5 mm)

D) PRISE POUR PA (Public Address) OPTIONNEL (Ø 3,5 mm)

E) PRISE POUR MICRO VOX OPTIONNEL (Ø 2,5 mm)

F) PRISE POUR DISPOSITIF MORSE CW (Ø 3,5 mm)

G) PORT USB (programmation PC en option)

C) MENU FONCTIONS

Appuyer pendant 2 secondes sur la touche **MENU (4)** pour **entrer** dans la fonction réglage du menu. «**FUNC**» s'affiche.

Utiliser les touches ▲/▼ (10) pour **sélectionner** la fonction désirée.

Tourner le bouton **PUSH (6)** pour régler la fonction.

Appuyez sur n'importe quelle touche exceptée le bouton **PUSH (6)** ou attendre 5 secondes pour **sauvegarder** et **quitter** le mode réglage. «**FUNC**» disparaît de l'écran.

1) FRÉQUENCE ROGER BEEP

Réglage de la **FRÉQUENCE** du **ROGER BEEP**.

Dans le menu [**rBEEPf**], tourner le bouton **PUSH (6)** pour régler la fréquence.

Gamme de fréquence: 300 Hz ~ 3000 Hz. Pas: 10 Hz. Valeur par défaut: 1050 Hz. Appuyer sur le bouton **PUSH (6)** permet de **modifier** le pas de fréquence.

2) DURÉE ROGER BEEP

Réglage de la **DURÉE** (ms) du **ROGER BEEP**.

Dans le menu [**rBEEPt**], tourner le bouton **PUSH (6)** pour régler la durée.

Intervalle de temps : 50 ~ 1000 ms. Pas: 50 ms. Valeur par défaut: 500 ms.

Appuyer sur le bouton **PUSH (6)** permet de **changer** le pas.

3) FRÉQUENCE CW (morse)

Réglage de la FRÉQUENCE CW.

Dans le menu [**CJLkOFr**], tourner le bouton **PUSH (6)** pour régler la fréquence. Gamme de fréquence: 300 Hz ~ 3000 Hz. Pas: 10 Hz. Valeur par défaut: 1050 Hz. Appuyer sur le bouton **PUSH (6)** permet de modifier le pas.

4) FRÉQUENCE TONALITÉ D'APPEL

Réglage de la FRÉQUENCE de la TONALITÉ D'APPEL.

Dans le menu [**CRLL Fr**], tourner le bouton **PUSH (6)** pour régler la fréquence. Gamme de fréquence: 300 Hz ~ 3000 Hz. Pas: 10 Hz. Valeur par défaut: 1050 Hz. Appuyer sur le bouton **PUSH (6)** permet de modifier le pas.

5) MONITEUR GAIN

Réglage du VOLUME du micro en sortie de votre haut-parleur.

Dans le menu [**NontrNo**], tourner le bouton **PUSH (6)** pour régler le niveau de volume du moniteur.

Il y existe 32 niveaux de volume. «OFF» désactive la fonction.

6) TOT (Time Out Timer)

Réglage du TOT. L'émission est coupée après le «TOT», vous devez relâcher la pédale PTT (23) si vous souhaitez émettre à nouveau.

Dans le menu [**toF**], tourner le bouton **PUSH (6)** pour régler le TOT, «oF» désactive la fonction.

Intervalle de temps : 30 ~ 600 s. Pas: 30 s. Valeur par défaut : 180 s.

7) PROTECTION DU TOS (SWR)

Activer/désactiver la PROTECTION du TOS.

Dans le menu [**tSr**], tourner le bouton **PUSH (6)** pour activer «on» ou désactiver «oF» la protection. Réglage par défaut: «on».

8) RÉGLAGE DE LA PROTECTION DU TOS (SWR)

Réglage du NIVEAU de protection du TOS.

Dans le menu [**SJLrH**], tourner le bouton **PUSH (6)** pour régler le niveau de protection.

Plage de niveau: 12 ~ 200. Pas: 1. Valeur par défaut: 200. Appuyer sur le bouton **PUSH (6)** pour modifier le niveau. Ce réglage n'est accessible que lorsque la fonction PROTECTION DU TOS est activée.

9) PROTECTION DE TENSION

Activer/désactiver la PROTECTION de TENSION.

Dans le menu [**BRtPrOt**], tourner le bouton **PUSH (6)** pour activer «on» ou désactiver «oF» la PROTECTION. Valeur par défaut: «on».

10) LIMITE MAXIMALE PROTECTION DE TENSION

Définir la LIMITE MAXIMALE de la protection de TENSION.

Dans le menu [**SEtdC^HI**], tourner le bouton **PUSH (6)** pour régler la limite maximale.

Plage de tension: 90V ~ 170V (9,0 ~ 17,0 V). Pas: 0,5V. Valeur par défaut: 170V. Appuyer sur le bouton **PUSH (6)** pour modifier la limite. Ce réglage n'est accessible que lorsque la fonction PROTECTION DE TENSION est activée.

11) LIMITE MINIMALE PROTECTION DE TENSION

Définir la LIMITE MINIMALE de la protection de TENSION.

Dans le menu [**SEtdC^oI**], tourner le bouton **PUSH (6)** pour régler la limite minimale.

Plage de tension: 90V ~ 170V (9,0 ~ 17,0 V). Pas: 0,5V. Valeur par défaut: 90V. Appuyer sur le bouton **PUSH (6)** pour modifier la limite. Ce réglage n'est accessible que lorsque la fonction PROTECTION DE TENSION est activée.

12) TYPE DE SCAN

Sélectionner le TYPE de BALAYAGE des canaux.

Dans le menu [**SCAnt^{SP}**], tourner le bouton **PUSH (6)** pour sélectionner le type.

«S9» signifie que le balayage s'arrête dès qu'un canal est actif.

«t» signifie que le balayage s'arrête dès qu'un canal est actif et redémarre après 5 secondes.

13) COULEUR RÉTRO ÉCLAIRAGE

Choisir la COULEUR du RÉTRO ÉCLAIRAGE de l'appareil.

Dans le menu [**CoLor**], tourner le bouton **PUSH (6)** pour sélectionner la couleur.

3 couleurs sont possibles : «Or» (orange / couleur par défaut) «Gr» (vert) ou «bL» (bleu).

14) LUMINOSITÉ DU RÉTRO ÉCLAIRAGE

Régler la LUMINOSITÉ du RÉTRO ÉCLAIRAGE de l'appareil.

Dans le menu [**br, 9ht**], tourner le bouton **PUSH (6)** pour sélectionner la luminosité.

Niveaux : de 1 à 9. Valeur par défaut: 9.

15) RÉGLAGE DES TOUCHE ▲/▼

Définir la FONCTION des TOUCHES ▲/▼.

Dans le menu [**UP dn**], tourner le bouton **PUSH (6)** pour sélectionner la fonction.

«CH» signifie que les touches changent le canal (réglage par défaut).

«Fr» signifie que les touches changent la fréquence.

Remarque : Si la fréquence est sélectionnée, *presser* le bouton **PUSH (6)** pour *sélectionner* l'unité de fréquence à augmenter à l'aide des touches ▲/▼.

16) CONFIGURATION DOUBLE VEILLE (DUAL WATCH)

Régler le **CANAL** utilisé avec la fonction **DOUBLE VEILLE**.

Dans le menu [**dJL**], appuyer sur la touche **BAND (21)** pour *sélectionner* la bande désirée, appuyez sur la touche **MODE (18)** pour *sélectionner* Le mode de modulation souhaité, tourner le bouton **PUSH (6)** pour *sélectionner* le canal. Valeur par défaut: bande: **I** - modulation: **FM** - canal: **09**.

Voir la fonction **DOUBLE VEILLE**, page 21.

17-18) CONFIGURATION DES CANAUX PRIORITAIRES

Configurer les deux canaux prioritaires. Dans le menu [**EP99 I**], appuyer sur la touche **BAND (21)** pour *sélectionner* la bande désirée, appuyez sur la touche **MODE (18)** pour *sélectionner* Le mode de modulation souhaité, tourner le bouton **PUSH (6)** pour *sélectionner* le premier canal prioritaire. Presser le bouton **PUSH (6)** pour *valider et mémoriser*.

Même procédure pour le second canal prioritaire dans le menu [**EP992**]. Les canaux **9** et **19** sont les canaux par défaut.

Voir la fonction **EMG 1/2**, page 20.

19) CONFIGURATION CTCSS / DCS

Configurer le mode de fonctionnement du **CTCSS / DCS**.

Dans le menu [**CDSEt**], tourner le bouton **PUSH (6)** pour *sélectionner* le mode de fonctionnement des **CTSCC** et **DCS**.

En mode «**E9**», la valeur (de la tonalité ou du code) est **équivalente** pour l'émission et pour la réception (mode par défaut).

En mode «**UN**», la valeur (de la tonalité ou du code) pour l'émission peut être **différente (unlike)** de celle de la réception.

Voir la fonction **CTCSS/DCS**, page 21.

20) RÉINITIALISATION

Réinitialisation de l'appareil aux paramètres d'**USINE**.

Dans le menu [**rESEt**], sélectionner «**OPt**» pour *initialiser* toutes les fonctions de réglage, sélectionner «**RL**» pour initialiser toutes les fonctions et les paramètres des canaux.

Appuyez brièvement sur la touche **PUSH (6)** pour *confirmer*. Attendre que «**rESEnd**» s'affiche.

D) CARACTÉRISTIQUES TECHNIQUES

1) GÉNÉRALES

- Modes de modulation	: AM / FM / USB / LSB / CW
- Gamme de fréquence	: de 28.000 MHz à 29.700 MHz : de 24.890 MHz à 24.990 MHz
- Impédance d'antenne	: 50 ohms
- Tension d'alimentation	: 13,8 V
- Dimensions (en mm)	: 170 (L) x 250 (P) x 52 (H)
- Poids	: 1,4 kg
- Accessoires inclus	: 1 microphone UP/DOWN et son support, 1 berceau avec vis de fixation et cordon d'alimentation avec fusible

2) ÉMISSION

- Tolérance de fréquence	: +/- 300 Hz
- Puissance porteuse	: 12 W AM / 35 W FM / 35 W USB-LSB (PEP) 12 W CW
- Émissions parasites	: inférieure à -50dBm
- Réponse en fréquence	: 300 Hz à 3 kHz en AM/FM/USB/LSB
- Puissance émise dans le canal adj.	: inférieure à 20 µW
- Sensibilité du microphone	: 3,0 mV
- Consommation	: 6 A (avec modulation)
- Distorsion max. du signal modulé	: 2%

3) RÉCEPTION

- Sensibilité maxi à 20 dB sinad	: 0,7 µV -110 dBm (AM) 0,35 µV -116 dBm (FM) 0,28 µV -118 dBm (USB/LSB/CW)
- Réponse en fréquence	: 300 Hz à 3 kHz en AM/FM/USB/LSB/CW
- Sélectivité du canal adj.	: 60 dB
- Puissance audio maxi	: 3 W
- Sensibilité du squelch	: mini 0.2 µV - 120 dBm maxi 1 mV - 47 dBm
- Taux de réj. fréq. image	: 60 dB
- Taux de réjection fréquence intermédiaire	: 70 dB
- Consommation	: 400 mA nominal / 600 mA max

E) GUIDE DE DÉPANNAGE

1) VOTRE POSTE N'ÉMET PAS OU VOTRE ÉMISSION EST DE MAUVAISE QUALITÉ

Vérifiez que :

- L'antenne soit correctement branchée et que le TOS soit bien réglé.
- Le micro soit bien branché.
- Le bouton **RF POWER (2)** soit au maximum.
- Le bouton **MIC GAIN (8)** soit au maximum.
- Le bouton du **CLARIFIÉ (7)** soit réglé en position centrale.

2) VOTRE POSTE NE REÇOIT PAS OU VOTRE RÉCEPTION EST DE MAUVAISE QUALITÉ

Vérifiez que :

- Le niveau du squelch soit correctement réglé.
- Le bouton Volume (1) soit réglé à un niveau convenable.
- L'antenne soit correctement branchée et le TOS bien réglé.
- Vous êtes bien sur le même type de modulation que votre interlocuteur.
- Le bouton **RF GAIN (9)** soit au maximum.
- Le bouton du **CLARIFIÉ (7)** soient réglés en position centrale.

3) VOTRE POSTE NE S'ALLUME PAS

Vérifiez :

- Votre alimentation.
- Qu'il n'y ait pas d'inversion des fils au niveau de votre branchement.
- L'état du fusible.

F) GLOSSAIRE

ALPHABET PHONÉTIQUE INTERNATIONAL

A Alpha	H Hotel	O Oscar	V Victor
B Bravo	I India	P Papa	W Whiskey
C Charlie	J Juliett	Q Quebec	X X-ray
D Delta	K Kilo	R Romeo	Y Yankee
E Echo	L Lima	S Sierra	Z Zulu
F Foxtrott	M Mike	T Tango	
G Golf	N November	U Uniform	

CONDITIONS GÉNÉRALES DE GARANTIE

Cet appareil est garanti **2 ans** pièces et main d'œuvre dans le pays d'achat, contre tout défaut de fabrication validé par notre département technique. Le Service Après-vente PRESIDENT se réserve le droit de ne pas appliquer la garantie dans le cas où une panne est causée par une antenne autre que celles distribuées par PRESIDENT. Une extension de garantie de **3 ans** est proposée systématiquement pour l'achat simultané d'un poste et d'une antenne PRESIDENT, ce qui porte la durée totale de la garantie à **5 ans**. Pour faire valoir la garantie, veiller à effectuer son enregistrement en ligne sur le site de PRESIDENT ELECTRONICS dans un délai de 30 jours après la date d'achat, à l'adresse www.president-electronics.us/warranty-registration. Vous pouvez également accéder à cette page d'enregistrement de garantie à l'aide de votre smartphone pour lire (l'application doit être disponible) le code QR sur la carte de garantie jointe. Vous recevrez un courrier électronique de confirmation d'enregistrement de garantie. Nous vous recommandons de conserver une copie de ce courrier électronique.

Toute réparation sous garantie sera sans frais et les frais de livraison de retour seront pris en charge par PRESIDENT. Une preuve d'achat doit impérativement être jointe en cas de retour d'un Produit. Les dates figurant sur l'enregistrement de la garantie et la preuve d'achat doivent obligatoirement correspondre.

Dans le cas où l'appareil n'est plus sous garantie, la réparation et le retour de l'appareil seront facturés.

Aucune pièce détachée ne sera envoyée ni échangée par nos services au titre de la garantie. Assurez-vous d'avoir lu le manuel d'utilisation avant l'installation de l'appareil.

La garantie est valable uniquement dans le pays d'achat.

Sont exclus de la garantie:

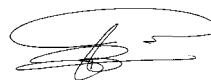
- Les dommages causés par accident, tels que chocs, chutes, incendie ou emballage non approprié, la négligence, de mauvais entretien.
- L'usure normale d'un produit (les transistors de puissance, les micros, les lampes, les fusibles), l'utilisation non-conforme (y compris mais non limité à l'antenne utilisée avec puissance trop élevée, TOS trop important, inversion de polarité, mauvaises connexions, surtension, etc.), le non-respect des caractéristiques de montage et d'utilisation.
- La garantie ne peut être prolongée en raison de la non-disponibilité de l'appareil alors qu'il est en réparation au Service Après-vente PRESIDENT, ni par un changement d'un ou plusieurs composants ou pièces détachées.
- Tout Produit modifié ou réparé par le Client ou par toute autre personne non autorisée explicitement par PRESIDENT.

Si vous constatez un dysfonctionnement :

- Vérifier l'alimentation électrique de votre appareil et la qualité du fusible.
- Vérifiez que l'antenne, le microphone sont correctement connectés.
- Vérifiez que le niveau du squelch soit correctement réglé; la configuration programmée soit la bonne.
- Dans le cas d'une réelle panne, veuillez contactez votre revendeur, qui décidera des mesures à prendre.

Au-delà de la période de garantie ou en dehors des conditions de garantie, vous aurez toujours la possibilité de faire inspecter ou réparer votre Produit. Dans ce cas, un devis vous sera communiqué.

Merci pour votre confiance dans la qualité et l'expérience de PRESIDENT. Pour que vous soyez pleinement satisfait de votre achat, nous vous conseillons de lire attentivement ce manuel.



La Direction Technique

et

Le Service Qualité



ADVERTENCIA PROPUESTA 65: Este producto contiene una sustancia química conocida el Estado de California como causante de cáncer, defectos de nacimiento y otros daños reproductivos.

¡ ATENCIÓN !

- *El uso de este equipo está condicionado a la posesión de una licencia de Radio Aficionado.*
- *Antes de la utilización tengan cuidado de nunca emitir sin haber previamente conectado la antena (conector "B" situado en la parte trasera de su equipo), ajustada la ROE (Relación de Ondas Estacionarias)! Si no, se expone a dañar el amplificador de potencia, no cubierto por la garantía.*

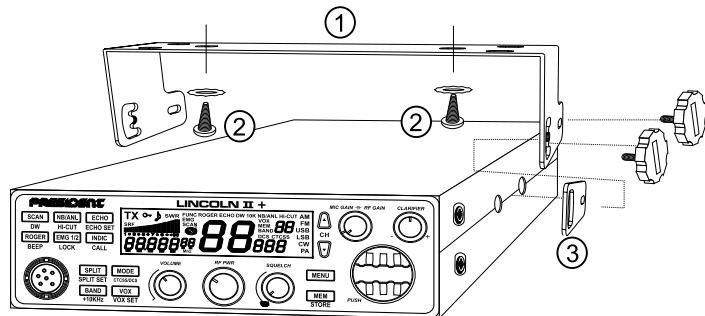
La garantía de este artículo sólo es válida en el país de compra.

Bienvenido al mundo de los emisores-receptores de última generación. Esta nueva gama de estaciones le permite acceder a la comunicación electrónica más competitiva. Gracias a la utilización de tecnología punta que garantiza una calidad sin precedentes, su PRESIDENT LINCOLN II + ASC representa un nuevo hito en la facilidad de uso y la solución por excelencia para el radio aficionado más exigente. Para sacar el máximo partido de todas sus posibilidades, le aconsejamos leer atentamente estas instrucciones de uso antes de instalar y utilizar su PRESIDENT LINCOLN II + ASC.

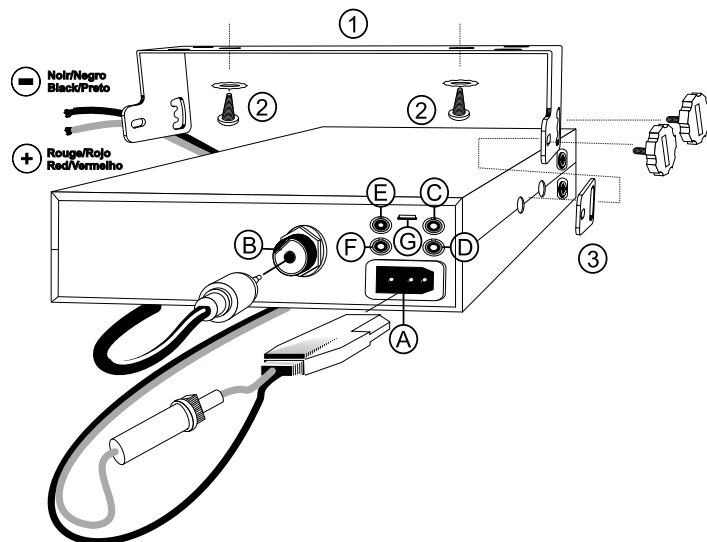
A) INSTALACIÓN

1) ELEGIR EL EMPLAZAMIENTO Y MONTAJE DEL PUESTO MÓVIL

- Escoja el emplazamiento más apropiado para una utilización simple y práctica de su estación móvil.
- Procure que no moleste ni al conductor ni a los pasajeros del vehículo.
- Prevea el paso y la protección de los diferentes cables, (alimentación, antena, accesorios) con el fin de que en ningún caso perturben la conducción del vehículo.
- Utilice para el montaje el soporte (1) entregado con el aparato, fíjelo sólidamente con ayuda de los tornillos autoroscantes (2) proporcionados (diámetro de agujero de 3,2 mm). Tenga cuidado de no dañar el sistema eléctrico del vehículo en el momento del taladro del salpicadero.



- En el momento del montaje, no se olvide de insertar las arandelas de caucho (3) entre la estación y su soporte. Estas tienen, en efecto, un papel amortiguador y permiten una orientación y presión suaves de la estación.
- Escoja un emplazamiento para el soporte del micro y prevea el paso de su cable.



- NOTA:** Su estación móvil que posee una toma de micro en la parte frontal puede ser empotrada en el cuadro de mandos. En ese caso, se recomienda añadirle un altavoz externo para una mejor escucha de las comunicaciones (Conector EXT SP situado en la cara posterior del aparato: C). Pida información a su vendedor más próximo para el montaje de su equipo

2) INSTALACIÓN DE LA ANTENA

a) Elección de la antena

- Cuanto más larga es una antena, mejor es su rendimiento. Su Centro de Asesoramiento sabrá orientarle en su elección.

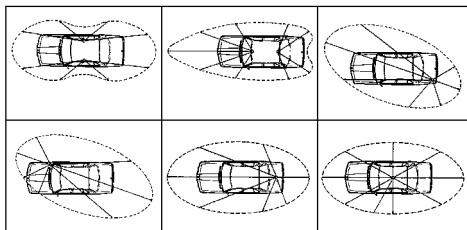
b) Antena móvil

- Hay que instalarla en un lugar del vehículo donde haya un máximo de superficie metálica (plano de masa), alejándose de los montantes del parabrisas y de la luneta trasera.
- En caso de que se haya instalado una antena de radioteléfono, la antena del tranceptor debe estar por encima de esta.
- Existen 2 tipos de antenas: las pre-ajustadas y las regulables.

- Las pre-ajustadas se utilizan preferentemente con un buen plano de masa (en el techo o en el maletero).
- Las regulables ofrecen un campo de uso mucho más ancho y permiten sacar partido de planos de masa menos importantes (véase § 5 AJUSTE DEL ROE).
- Para una antena de fijación por taladro, es necesario tener un contacto excelente entre la antena y el plano de masa; para ello, rasque ligeramente la chapa al nivel del tornillo y de la arandela de presión.
- En el momento del paso del cable coaxial, tenga cuidado de no pellizcarlo ni aplastarlo (riesgo de rotura o cortocircuito).
- Conecte la antena (B).

c) Antena fija

- Procure situarla en un lugar despejado. En caso de fijación sobre un mástil, habrá que sostenerla eventualmente conforme a las normas vigentes (infórmese con un profesional). Las antenas y los accesorios PRESIDENT han sido especialmente concebidos para un rendimiento óptimo de todos los aparatos de la gama.



LÓBULO DE RADIACIÓN

3) CONEXIÓN DE LA ALIMENTACIÓN

Su PRESIDENT LINCOLN II + ASC esta provista de una protección contra las inversiones de polaridad. Sin embargo, antes de efectuar cualquier empalme, verifique las conexiones.

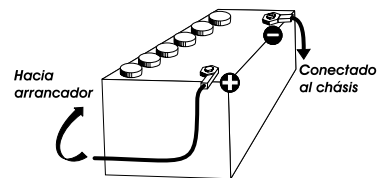
Su estación debe ser alimentada por una fuente de corriente continua de 12 voltios (A). Actualmente, la mayoría de los coches y camiones funcionan con una conexión de masa negativa. Podemos asegurarnos verificando que el borne (-) de la batería este bien conectado al bloque motor o al chasis. En el caso contrario, consulte a su vendedor.

ATENCIÓN: Los camiones poseen generalmente dos baterías y una instalación eléctrica de 24 voltios. Será necesario pues intercalar en el circuito eléctrico un convertidor de 24/12 voltios (Tipo PRESIDENT CV 24/12).

Las siguientes operaciones de conexión deben ser efectuadas con el cable de alimentación no conectado a la estación:

- Asegúrese de que la alimentación sea de 12 voltios.
- Localice los bornes (+) y (-) de la batería (+ = rojo, - = negro). En caso de que sea necesario alargar el cable de alimentación, utilice un cable de sección equivalente o superior.
- Es necesario conectarse a un (+) y un (-) permanentes. Le aconsejamos, pues, que conecte directamente el cable de alimentación a la batería (el acoplamiento al cable de la auto-radio o a otras partes del circuito eléctrico pueden, en ciertos casos, favorecer la recepción de señales parasitas).
- Conecte el hilo rojo (+) al borne positivo de la batería y el hilo negro (-) al borne negativo de la batería.
- Conecte el cable de alimentación a la estación.

ATENCIÓN: ¡Nunca reemplace el fusible de origen (6 A) por un modelo de un valor diferente!



4) OPERACIONES BÁSICAS QUE HAY QUE EFECTUAR ANTES DE LA PRIMERA UTILIZACIÓN, SIN PASAR POR EMISIÓN (sin apretar el pedal del micro)

- Conecte el micro.
- Verifique la conexión de la antena.
- Puesta en marcha del aparato: girar el botón **VOLUME (1)** en el sentido de las agujas del reloj.
- Gire el mando de **SQUELCH (2)** al mínimo.
- Ajuste el botón **VOLUME (1)** a un nivel conveniente.
- Dirija la estación al canal 20 con ayuda de las teclas ▲/▼ (10).

5) AJUSTE DE LA ROE (Relación de Ondas Estacionarias)

ATENCIÓN: Esta operación debe efectuarse necesariamente en el momento de la primera utilización del aparato o en el momento de un cambio de antena. Este ajuste debe realizarse en un lugar abierto, al aire libre.

Ajustes con el medidor de ROE incorporado con el equipo.

Ponga el equipo en la modalidad **AM** o **FM** pulsando la tecla **MODE (18)**. Presionando el selector de frecuencia **PUSH (6)** o mediante las teclas ▲/▼ (10) sitúe el equipo en el medio de la banda de trabajo, si se cambia la banda es necesario volver a calibrar y verificar la ROE. Compruebe que el botón **RF PWR (2)** está en el máximo. Pulse la tecla **INDIC (12)** en emisión **TX**

“SWR” aparecerá en la pantalla. Si fuese necesario, ajuste su antena lo más cercano a **01.0**.

Observación: Con el fin de evitar las pérdidas y las atenuaciones en los cables de conexión entre la radio y sus accesorios, PRESIDENT recomienda una longitud de cable inferior a 3 m.

Ahora, su estación está preparada para funcionar.

B) UTILIZACIÓN

1) INTERRUPTOR / VOLUMEN

Para *encenderla* emisora girar el botón **VOLUME (1)** en el sentido de las agujas del reloj. Sonará un “beep” y la pantalla mostrará la frecuencia sintonizada, el receptor está listo “**on**”. Para *apagar* la emisora gire el botón **VOLUME (1)** en sentido contrario a las agujas del reloj hasta oír un “click”, el equipo está apagado “**off**”.

Para *ajustar* el volumen girar el botón en el sentido de las agujas del reloj hasta un nivel confortable. La pantalla muestra durante 5 segundos “**LUCL XX**”. El rango de ajuste es de **55** niveles. Girando en el sentido de las agujas del reloj el volumen se incrementa, girando en sentido contrario a las agujas del reloj el sonido disminuye.

2) RF POWER

En emisión (**TX** en pantalla) el botón **RF PWR (2)** permite *variar* la potencia de salida de RF en FM/AM/USB/LSB. Girando en el sentido de las agujas del reloj la potencia se incrementa, girando en sentido contrario a las agujas del reloj la potencia disminuye.

3) ASC (Automatic Squelch Control)/SQUELCH

Permite *suprimir* los ruidos de fondo indeseables en la ausencia de comunicación. El squelch no juega ni en el volumen ni en la potencia de emisión pero permite escuchar confortablemente.

a) ASC (AJUSTE AUTOMÁTICO DEL SQUELCH)

Patente mundial, exclusividad de PRESIDENT.

Girar el botón **SQUELCH (3)** en sentido inverso a las agujas de un reloj en la posición **ASC**. “**ASC**” aparece en la pantalla. Ningún ajuste manual repetitivo, se realiza una optimización permanente entre la sensibilidad y la escucha confortable cuando el **ASC** está activado. Esta función es conmutable por la rotación del botón **SQUELCH (3)** en sentido de las agujas de un reloj, en este caso el ajuste del squelch vuelve a ser manual. “**ASC**” desaparece de la pantalla después de 5 segundos

b) SQUELCH MANUAL

Girar el botón del **SQUELCH (3)** en el sentido de las agujas del reloj justo hasta el punto exacto, todos los ruidos de fondo desaparecerán. Es un ajuste que se ha de hacer con precisión, pues colocado en posición máxima (en el sentido de las agujas del reloj) únicamente las señales más fuertes pueden ser recibidas. La pantalla muestra durante 5 segundos “**59L XX**”. El rango de ajuste es de **36** niveles.

4) MENÚ

Presione la tecla **MENU (4)** durante 2 segundos para *entrar* en el modo de ajuste de las funciones “**FUNC**” aparece en la pantalla. Use las teclas **▲/▼** para *seleccionar* la función deseada. Use el selector de frecuencias **PUSH (6)** para *ajustar* la función. Pulse cualquier tecla excepto **PUSH (6)** o espere durante 5 segundos para *memorizar* y *salir*, “**FUNC**” desaparecerá de la pantalla.

Ver los detalles § **FUNCIONES DEL MENÚ** en la página 34

5) MEM ~ STORE

MEM (presión breve)

Pulse la tecla **MEM (5)** para *entrar* en el modo memoria. Pulse las teclas **▲/▼ (10)** para *seleccionar* las frecuencias previamente memorizadas (ó memorías). Pulse la tecla **MEM (5)** nuevamente para *abandonar* el modo memoria.

STORE (presión larga)

Seleccionar una frecuencia, en una banda y un tipo de modulación. Pulse la tecla **MEM-STORE (5)** durante unos segundos para *entrar* en el modo ajustes de memorización de canal. El número de memoria aparece parpadeando en la pantalla. Gire el selector de frecuencias **PUSH (6)** para *memorizar* la frecuencia, banda y el tipo de modulación utilizados en una de las memorías $n 1 \sim n 5$. Pulse la tecla **MEM-STORE (5)** durante unos segundos el parpadeo desaparecerá. Dando por *acabado* el proceso de memorización.

6) BOTÓN ROTATIVO PUSH

Con el equipo *encendido*, girando el botón **PUSH (6)** se *ajusta* la frecuencia de trabajo. Girando en el sentido de las agujas del reloj la frecuencia se incrementa, girando en sentido contrario a las agujas del reloj la frecuencia disminuye.

Pulsando el botón **PUSH (6)** aparece una barra “_” bajo uno de los dígitos indicadores de frecuencia, efectuado pulsaciones *desplazamos* la barra de

unidades, a decenas o centenas de Hz permitiendo ajustar las frecuencias por saltos.

Pulsando o girando el botón **PUSH (6)** *ajustaremos* funciones o parámetros.

7) CLARIFIER

El botón **CLARIFIER (7)** permite *ajustar* la frecuencia de recepción mejorando la claridad de la recepción de la voz de su correspondal.

8) MIC GAIN

Con el equipo **encendido**, girando el botón **MIC GAIN (8)**, se *ajusta* la ganancia en **TX**. La pantalla mostrará “**nl [XX**” durante 5 segundos mostrando el valor seleccionado. El valor total es de **55** niveles. Girando en el sentido de las agujas del reloj la ganancia se incrementa, girando en sentido contrario a las agujas del reloj la ganancia disminuye.

En la modalidad de **PA** (megafonía) girando el botón **MIC GAIN (8)**, se ajusta el volumen del altavoz exterior. La pantalla mostrará “**nl [XX**” durante 5 segundos mostrando el valor seleccionado. El valor total es de **55** niveles. Girando en el sentido de las agujas del reloj la ganancia se incrementa, girando en sentido contrario a las agujas del reloj la ganancia disminuye.

9) RF GAIN

En **recepción**, girando el botón **RF GAIN (9)**, se *ajusta* la ganancia en **RX**. Girando en el sentido de las agujas del reloj la ganancia se incrementa, girando en sentido contrario a las agujas del reloj la ganancia disminuye.

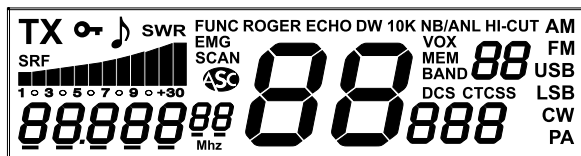
10) ▲/▼ SELECTOR DE FRECUENCIAS/CANALES

Los pulsadores **▲/▼ (10)** *permiten* el incremento de canales o de frecuencias de acuerdo con la elección realizada con el [UP dn] menú (ver § **AJUSTE TECLAS ▲/▼** en página 36)

Un “beep” sonoro se escuchará con cada presión si la función **BEEP** ha sido activada (ver función **BEEP** página 32).

En apartado de **MENÚ** los pulsadores **▲/▼** permiten *elegir* las distintas opciones del menú.

11) PANTALLA DE LCD



TX

Indica transmisión

Indica que las teclas y pulsadores del panel frontal están bloqueados, con excepción del pulsador de transmisión (**PTT**) y los mandos rotativos. Si se presiona un pulsador aparece “**Err**” en la pantalla

Indica la activación del beep sonoro

SWR

En **TX** las barras indican la Relación de Ondas Estacionarias (ROE) y su valor (ver la función **INDIC** página 32)

ROGER

Indica que el beep de final de transmisión está activado

ECHO

Indica la activación de la función ECO

DW

Indica la activación de la doble escucha

10K

Indica que la función frecuencia +10 está activada

NB

Indica la activación del filtro NB

ANL

Indica la activación del filtro ANL

HI-CUT

Indica la activación del filtro HI-CUT

EMG

Indica la activación del canal de emergencia 9 o 19

SCAN

Indica la activación de la función de búsqueda SCAN

Indica la activación del ASC

VOX

Indica la activación de la función VOX

MEM

Indica la selección de una frecuencia memorizada

DCS

Indica la activación de un código DCS

CTCSS

Indica la activación de un tono CTCSS

AM

Indica la activación de la modalidad AM

FM

Indica la activación de la modalidad FM

USB

Indica la activación de la modalidad USB

LSB

Indica la activación de la modalidad LSB

CW

Indica la activación de la modalidad CW

PA

Indica la activación de la modalidad PA (megafonía)

88

Muestra el canal seleccionado

88

Muestra la banda de trabajo utilizada

888

Muestra el código DCS o tono CTCSS

88888888

Muestra la frecuencia utilizada y los valores del menú

12) INDIC ~ CALL

INDIC (presión breve)

Pulsando el botón **INDIC (12)**, la pantalla *muestra* la tensión de alimentación como “**13.8dC**” en la pantalla.

Pulse el botón **INDIC (12)** nuevamente o espere 5 segundos para *volver* a la indicación anterior.

En transmisión (**TX**) Pulse el botón **INDIC (12)** para *seleccionar* las diferentes prestaciones, la pantalla alternará entre: FRECUENCIA ~ SWR(ROE) ~ TOT ~ VOLTAGE. Cada vez que presionemos el pulsador del micrófono, la pantalla mostrará durante unos instantes la frecuencia de transmisión y posteriormente la prestación seleccionada.

CALL (presión larga)

Cada vez que se realice una presión prolongada sobre la tecla **INDIC-CALL (12)** se emitirá una tonalidad audible como señal de llamada. La pantalla mostrará “**TX**” (ver menú **FRECUENCIA DE LLAMADA** página 35).

13) ECHO ~ ECHO SET

ECHO (presión breve)

Pulsando el botón **ECHO (13)** *activamos/desactivamos* la función **ECHO**. La pantalla mostrará “**ECHO**”.

ECHO SET (presión larga)

Presione el botón **ECHO-ECHO SET (13)** para *ajustar* el volumen y el tiempo del eco. La indicación “**ECHO**” parpadeará.

Pulse las teclas **▲/▼ (10)** para *seleccionar* de forma alternativa entre “**DELAY**” o “**E INE**” en el listado del menú. Gire el botón **PUSH (6)** para *ajustar* la función seleccionada,

La función “**DELAY**” tiene **54** niveles de ajuste, por defecto viene ajustado en el nivel **25**. La función “**E INE**” tiene **54** niveles de ajuste, por defecto viene ajustado en el nivel **30**. La pantalla muestra los niveles seleccionados. Pulse sobre la tecla **MEM-STORE (5)** durante 2 segundos para *memorizar* y *salir* al siguiente menú. Espere durante 5 segundos para *salir* del menú de ajuste del Echo.

14) EMG 1/2 ~ LOCK

EMG 1/2 (presión breve)

Pulse la tecla **EMG 1/2 (14)** para *activar* los canales prioritarios. La pantalla muestra “**EMG**”. La primera presión para *dirigirse* al **primero** canal prioritario, una segunda presión cambia al **segundo** canal prioritario y una tercera

retorna al canal en uso. Los canales prioritarios por defecto son el **9** y el **19** (ver el § **CONFIGURACIÓN CANALES PRIORITARIOS** página 36)

LOCK (presión larga)

Presione la tecla **EMG 1/2-LOCK (14)** para *bloquear* las funciones de las teclas, la pantalla mostrará el símbolo “**•**”.

Una nueva presión en la tecla **EMG 1/2-LOCK (14)** para anular el bloqueo. El símbolo “**•**” desaparecerá de la pantalla.

Observación: Si se presiona un pulsador cualquiera aparece “**Err**” en la pantalla, con la excepción del pulsador de transmisión (**PTT**) y los mandos rotativos.

15) ANL/NB ~ HI-CUT

ANL/NB (presión breve)

Son posibles 3 combinaciones: **Off** (sin filtro) • **NB** (filtro NB activado) • **ANL + NB** (ambos filtros activados). Cada filtro activado se visualiza en la pantalla. **ANL** (Automatic Noise Limiter) / **NB** (Noise Blanker): el aparato está equipado de filtros automáticos que reducen los ruidos de fondo y algunos parásitos

HI-CUT (presión larga)

HI-CUT: *activa* la eliminación de los parásitos de alta frecuencia. Para utilizar en función de las condiciones de recepción. Al estar el filtro activado se visualiza en la pantalla.

16) ROGER ~ BEEP

ROGER (presión breve)

Pulsando el botón **ROGER (16)**, se *activa* o *desactiva* la función **ROGER BEEP**. Aparece el icono “**ROGER**” en la pantalla cuando se activa la función. El Roger Beep emite un pitido cuando se suelta el pedal del micro para dejarle la palabra a su interlocutor. Históricamente, al ser la radio afición un modo de comunicación “simplex”, es decir que no es posible hablar y escuchar al mismo tiempo (como en el caso del teléfono por ejemplo), era usual decir “Roger” cuando se había terminado de hablar para avisar al interlocutor que ya podía hablar.

La palabra “Roger” ha sido reemplazada por un “Beep” significativo, de ahí su nombre “Roger Beep”.

BEEP (presión larga)

Pulsando por más de 2 segundos el botón **ROGER-BEEP (16)**, se *activa/desactiva* la función “**BEEP**” DE TECLADO. El icono “**♪**” aparece en la pantalla y una

nota sonora suena en el altavoz al pulsar un botón, cambiar la frecuencia etc...

17) SCAN ~ DW

SCAN (presión breve)

Pulsando el botón **SCAN (17)** se *activa* la función de búsqueda (**SCAN**), la Pantalla muestra "**SCAN**", el equipo detiene la búsqueda al encontrar una frecuencia ocupada. Pulsando ▲/▼ se modifica el sentido de la búsqueda. Vuelva a pulsar **SCAN (17)** o pasar a **TX** para detener la búsqueda.

DOBLE ESCUCHA DW (presión larga)

La función permite *monitorizar* entre los canales ajustados en menú [**dJb**] y la frecuencia actual (ver § **AJUSTE DE LA DOBLE ESCUCHA (DW)** página 36). Una presión larga *activa* la función y "**DW**" aparece en la pantalla, otra larga presión o pasar a emisión *anulan* la función.

18) MODE ~ CTCSS/DCS

MODE (presión breve)

Esta tecla **MODE (18)** permite *seleccionar* el tipo de modulación deseada, AM,FM, LSB-BL, USB-BLS, CW y PA. La modulación elegida debe coincidir con la utilizada por su corresponsal, e caso contrario la comunicación no será inteligible. La modalidad elegida aparece en la pantalla.

Frecuencia Modulada/**FM** se usa en comunicaciones próximas o en superficies llanas en campo abierto.

Modulación de Amplitud/**AM** se usa en comunicaciones en campo abierto y con relieve en media distancia, es la modalidad más utilizada en todo el mundo.

USB/LSB: Banda lateral superior e inferior se utilizan para comunicaciones a larga distancia, depende mucho de las condiciones de propagación.

CW: Es necesario el uso de una llave manipuladora de CW conectada en el jack **CW KEY (F)** del panel posterior.

PA: Un altavoz exterior para megafonía puede ser conectado a su LINCOLN II + ASC mediante el jack **PA.SP (D)** del panel posterior. La voz aplicada al micrófono es amplificada y entregada al altavoz de megafonía (Vea la página 31 para el ajuste de volumen).

CTCSS/DCS (presión larga)

Estos códigos sólo pueden ser utilizados en modo FM.

- Pulsar la tecla **MODE-CTCSS/DSC (18)** y mantenerla para *activar* el tono CTCSS o el código DCS, "**CTCSS**", "**DCS**" y "**oFF**" parpadeando por defecto en el display (o un valor memorizado, p.ej. "**CTCSS**" / "**04**").

- Gire el botón **PUSH (6)** para *seleccionar* el tono CTCSS deseado. Dispone de **38** tonos CTCSS numerados de **01** a **38**.
- Continúe girando el botón **PUSH (6)** para *seleccionar* el código DCS deseado. Dispone de **104** códigos DCS numerados de **001** a **104**.
- Seleccione "**oFF**" para *suprimir* el tono CTCSS o el código DCS memorizado.
- Según la configuración del menú [**CTSS**] (ver § 17 pág. 36) pulse durante 2 segundos sobre la tecla **MEM-STORE (5)** para:

En el modo "**oFF**":

- *Memorizar* el tono CTCSS o el código DCS. Cesa el parpadeo.

En el modo "**04**":

- *Memorizar* el tono CTCSS o el código DCS de la recepción (**RX**).
- "**TX**" parpadea, además de los datos seleccionados.
- Gire el botón **PUSH (6)** para *seleccionar* el tono CTCSS o el código DCS deseado para la emisión (**TX**).
- Pulse durante 2 segundos sobre la tecla **MEM-STORE (5)** para *memorizar* el tono CTCSS o el código DCS de emisión (**TX**). Cesa el parpadeo.
- Presione y mantenga la tecla **MODE-CTCSS/DCS (18)** para *desactivar* el tono CTCSS o el código DCS.

Ver la lista de tonos CTCSS y la lista de códigos DCS pág. 51.

19) VOX ~ VOX SET

VOX (presión breve)

La función **VOX** permite emitir hablando en el micro de origen (o en el micro vox opcional) sin apretar la palanca **PIT (23)**. La utilización de un micro vox opcional conectado detrás del aparato (**E**) desactiva el micro de origen.

Apriete brevemente el botón **VOX (19)** para *activar* la función **VOX**. Aparece en el visualizador el icono "**VOX**". Una nueva presión en el botón **VOX (19)** *desactiva* la función. El icono "**VOX**" desaparece de la pantalla.

VOX SET (presión larga)

Pulse durante 2 segundos el botón **VOX-VOX SET (19)** para *activar* la función **VOX SET**, ajuste del Vox (si la función **VOX** esta desactivada, se activara y "**VOX**" aparece en pantalla. "**SEN5**, **5**" aparece en la pantalla.

Hay tres ajustes posibles: Sensibilidad (**SENSIT**) / Nivel Anti-Vox (**ANTI**) / Temporización (**DELAY**).

Pulse las teclas ▲/▼ para *elegir* la prestación deseada. La pantalla indica el tipo de ajuste elegido.

Gire el botón **PUSH (6)** para *ajustar* el nivel deseado, pulse **STORE (5)** para *memorizar* el valor deseado y saltar al siguiente ajuste. Cuando todos los ajustes estén listos presione **VOX-VOX SET (19)** para *salir* del ajuste del vox.

- Sensibilidad "**SEN5**, **5**": permite ajustar la sensibilidad del micro (de origen

o opcional vox) para una calidad de transmisión óptima. Nivel regulable de 1 (nivel alto) a 9 (nivel bajo) con ayuda del conmutador rotativo de canales **PUSH (6)**. Por defecto el ajuste está en nivel 5.

- Anti-Vox "**Anti**": permite *impedir* la emisión generada por los ruidos del entorno. Nivel regulable de 0 (OFF) y de 1 (nivel alto) a 9 (nivel bajo) con ayuda del conmutador rotativo de canales **PUSH (6)**. Por defecto el ajuste está en nivel 9.
 - Temporización "**DELAY**": permite *evitar* el corte brusco de la transmisión, añadiendo un tiempo al final de palabra. Nivel regulable de 1 (tiempo corto) a 9 (tiempo largo) con ayuda del conmutador rotativo de canales **PUSH (6)**. Por defecto el ajuste está en nivel 1.
- Una vez efectuados los ajustes, apriete durante 1 segundo el botón **VOX -VOX SET (19)** para *salir* del modo **VOX SET** (ajuste del Vox). Si no se efectúa ningún ajuste, después de 10 s, el equipo sale de forma automática del modo ajuste de vox.

20) SPLIT ~ SPLIT SET

SPLIT (presión breve)

Esta función permite *transmitir* y *recibir* en frecuencias separadas. Pulse el botón **SPLIT (20)** para *activar* esta función y poder trabajar con repetidores, la pantalla muestra "**SPL It-on**" durante 5 segundos. Pulse el botón **SPLIT (20)** nuevamente para *desactivar* esta función, la pantalla muestra "**SPL It-off**" durante 5 segundos.

NOTA: En modo **TX** los indicadores de frecuencia, banda y canal permanecen parpadeando mientras la función **SPLIT** está activada.

SPLIT SET (presión larga)

Efectúe una presión larga sobre la tecla **SPLIT-SPLIT SET (20)** para *ajustar* la diferencia de frecuencia o OFFSET y el SENTIDO del incremento.

Pulse las teclas **▲/▼ (10)** para *elegir* la prestación deseada. Gire el botón **PUSH (6)** para *ajustar* los valores deseados.

Pulse **MEM-STORE (5)** durante 2 segundos para *memorizar* los valores deseados y *salir* al siguiente ajuste.

- DIFERENCIA DE FRECUENCIA, la frecuencia parpadea en la pantalla. El valor por defecto es de 100Hz
- SENTIDO del incremento, la pantalla muestra "**SPL, ↑**". "**↑**" cuando la diferencia es positiva respecto a la frecuencia utilizada; la pantalla muestra "**--**" cuando la diferencia es negativa respecto a la frecuencia utilizada.

21) BAND ~ +10KHz

BAND (presión breve)

Pulse el botón **BAND (21)** para *desplazarse* rápidamente en segmentos de 200 KHz entre **A ~ B ~ C ~ D ~ E ~ F ~ G ~ H ~ I ~ J**.

+10KHz (presión larga)

Efectúe una presión larga sobre la tecla **BAND+10KHz (21)** para *desplazar* la frecuencia de trabajo en +10KHz, la pantalla muestra "**10K**". Efectúe una nueva presión larga sobre la tecla **BAND+10KHz (21)** para *desactivar* la función, la pantalla deja de mostrar "**10K**".

22) TOMA DE MICRÓFONO DE 6 CONTACTOS

Se encuentra delante del aparato y facilita así su integración a bordo del vehículo. Véase esquema de conexión en la página 51.

23) PTT

Palanca o pulsador de emisión, apriete para hablar, la pantalla muestra "**TX**". Suelte para pasar a recepción y recibir un mensaje.

A) TOMA DE ALIMENTACIÓN (13,8 V)

B) CONECTOR DE ANTENA (SO-239)

C) CONECTOR PARA ALTAVOZ EXTERIOR (8 Ω, Ø 3,5 mm)

D) CONECTOR PARA PA (Megafonía) (Ø 3,5 mm)

E) MICRÓFONO VOX OPCIONAL (Ø 2,5 mm)

F) CONECTOR PARA CW (Morse) (Ø 3,5 mm)

G) CONECTOR USB (Programación PC opcional)

C) FUNCIONES DEL MENÚ

Pulse durante 2 segundos el botón **MENU (4)** para *activar* la función de ajuste del menú, "**FUNC**" aparece en pantalla.

Seleccione mediante las teclas **▲/▼ (10)** la *función* deseada del menú.

Gire el botón **PUSH (6)** para *ajustar* la función deseada, pulse cualquier tecla excepto el **PUSH (6)** o espere 5 segundos para *memorizar* el ajuste y *salir* del menú. La indicación "**FUNC**" desaparece de la pantalla.

1) FRECUENCIA DEL ROGER BEEP

Ajustando la FRECUENCIA del ROGER BEEP.

En el menú [**rBEEP**], gire el botón **PUSH (6)** para *ajustar* la frecuencia.

El rango de ajuste varía entre 300 Hz ~ 3000 Hz en pasos de 10 Hz. El valor por defecto es de 1050 Hz.

Pulse el botón **PUSH (6)** para modificar el incremento de frecuencia.

2) DURACIÓN DEL ROGER BEEP

Ajustando la DURACIÓN en el tiempo del ROGER BEEP.

En el menú [**r bEEP**], gire el botón **PUSH (6)** para *ajustar* tiempo del tono.

El rango de ajuste varía entre 50 ~ 1000 ms en pasos de 50 ms. El valor por defecto es de 500 ms.

Pulse el botón **PUSH (6)** para *modificar* el incremento de tiempo.

3) FRECUENCIA DEL TONO MORSE (CW)

Ajustando la FRECUENCIA del tono MORSE.

En el menú [**CJULt oFr**], gire el botón **PUSH (6)** para *ajustar* la frecuencia.

El rango de ajuste varía entre 300 Hz ~ 3000 Hz en pasos de 10 Hz. El valor por defecto es de 1050 Hz.

Pulse el botón **PUSH (6)** para *modificar* el incremento de frecuencia.

4) FRECUENCIA DE LLAMADA

Ajustando la FRECUENCIA de LLAMADA

En el menú [**CALL Fr**], gire el botón **PUSH (6)** para *ajustar* la frecuencia.

El rango de ajuste varía entre 300 Hz ~ 3000 Hz en pasos de 10 Hz. El valor por defecto es de 1050 Hz.

Pulse el botón **PUSH (6)** para *modificar* el incremento de frecuencia.

5) ESCUCHANDO EL MICRÓFONO (Monitorización)

Ajustando el NIVEL de volumen del MICRÓFONO en su propio altavoz.

En el menú [**Montr No**], gire el botón **PUSH (6)** para *ajustar* el nivel de volumen en el altavoz. El rango de ajuste tiene 32 niveles, "OFF" *desactiva* esta función.

6) TOT (tiempo de transmisión en exceso)

Ajuste de la función TOT. Si se mantiene presionado la palanca PTT (23) por un tiempo superior al ajustado, la transmisión se interrumpe de forma automática.

En el menú [**tot**], gire el botón **PUSH (6)** para ajustar el TOT. "oF" *desactiva* la función. El rango de ajuste del tiempo varía entre 30 y 600 s en pasos de 30 s. El valor por defecto es de 100 s.

7) PROTECCIÓN ROE (Relación de Ondas Estacionarias)

Activando/desactivando la PROTECCIÓN contra una ROE elevada.

En el menú [**ESr**], gire el botón **PUSH (6)** para activar "on" o desactivar "oF" la protección. El valor por defecto es "on".

8) AJUSTE DE LA PROTECCIÓN ROE

Ajuste del NIVEL la protección contra una ROE elevada.

En el menú [**SJLrH**], gire el botón **PUSH (6)** para *ajustar* el nivel de protección. El rango de ajuste varía entre 12 y 200 en pasos de 1. El valor por defecto es de 200. Pulse el botón **PUSH (6)** para *modificar* el incremento. El NIVEL DE PROTECCIÓN solo es utilizable si la función PROTECCIÓN ROE está activada.

9) PROTECCIÓN DE LA TENSIÓN DE ALIMENTACIÓN

Activando/desactivando la PROTECCIÓN de la TENSIÓN de alimentación.

En el menú [**bAtPr oE**], gire el botón **PUSH (6)** para *activar* "on" o *desactivar* "oF" la protección. El valor por defecto es "on".

10) LÍMITE DE PROTECCIÓN SUPERIOR.

Ajusta el LÍMITE SUPERIOR de la PROTECCIÓN de tensión de alimentación

En el menú [**SEtdLH**], gire el botón **PUSH (6)** para *ajustar* el nivel superior de protección. El rango de ajuste varía entre 90V ~ 170V (9,0 ~ 17,0 V) en pasos de 0,1V. El valor por defecto es de 170V. Pulse el botón **PUSH (6)** para *modificar* el incremento. El LÍMITE DE PROTECCIÓN SUPERIOR solo es utilizable si la función PROTECCIÓN DE LA TENSIÓN DE ALIMENTACIÓN está activada.

11) LÍMITE DE PROTECCIÓN INFERIOR

Ajusta el LÍMITE INFERIOR de la PROTECCIÓN de tensión de alimentación

En el menú [**SEtdL o**], gire el botón **PUSH (6)** para *ajustar* el nivel inferior de protección. El rango de ajuste varía entre 90V ~ 170V (9,0 ~ 17,0 V) en pasos de 0,1V. El valor por defecto es de 90V. Pulse el botón **PUSH (6)** para *modificar* el incremento. El LÍMITE DE PROTECCIÓN INFERIOR solo es utilizable si la función PROTECCIÓN DE LA TENSIÓN DE ALIMENTACIÓN está activada.

12) MODALIDAD DE BÚSQUEDA

Selecciona la MODALIDAD de BÚSQUEDA

En el menú [**SRnt SP**], gire el botón **PUSH (6)** para seleccionar la modalidad de búsqueda.

"59": esta modalidad detiene la búsqueda al encontrar un canal ocupado.
"E": esta modalidad detiene la búsqueda al encontrar un canal ocupado reanudando la búsqueda después de 5 segundos.

13) COLOR DE LA ILUMINACIÓN POSTERIOR

Selecciona COLOR de la ILUMINACIÓN POSTERIOR del equipo o de la pantalla.

En el menú [**Color**], gire el botón **PUSH (6)** para seleccionar el color de la iluminación.

Tres colores son disponibles "0r" naranja (color por defecto), "9r" verde o "bL" azul.

14) BRILLO DE LA ILUMINACIÓN POSTERIOR

Ajusta el **BRILLO** la ILUMINACIÓN POSTERIOR del equipo i de la pantalla. En el menú [**br, 9h±**], gire el botón **PUSH (6)** para *ajustar* el nivel de iluminación. El rango de ajuste varía entre **1** y **9** en pasos de **1**. El valor por defecto es de **9**.

15) AJUSTE TECLAS ▲/▼

Selecciona las **PRESTACIONES** de las **TECLAS ▲/▼**. En el menú [**UP dn**], gire el botón **PUSH (6)** para *seleccionar* la prestación deseada.

“**CH**” habilita las teclas ▲/▼ para cambiar canales (por defecto)

“**Fr**” habilita las teclas ▲/▼ para cambiar frecuencias

Nota: Si la opción seleccionada es cambiar la frecuencia, pulsando el botón **PUSH (6)** se selecciona el dígito de frecuencia que será cambiado al pulsar las teclas ▲/▼.

16) AJUSTE DE LA DOBLE ESCUCHA (DW)

Permita seleccionar el **CANAL** sobre el que se realiza la **DOBLE ESCUCHA**. En el menú [**du**], pulse la tecla **BAND (2)** para *seleccionar* la banda deseada, pulse la tecla **MODE (18)** para *seleccionar* la modalidad deseada, gire el botón **PUSH (6)** para *seleccionar* un canal, los ajustes por defecto son: Banda **1**, modulación **FM** canal **9**. Ver **DOBLE ESCUCHA DW** en la página 33.

17-18) CONFIGURACIÓN CANALES PRIORITARIOS

Configurar los dos canales prioritarios. En el menú [**EP99 1**], pulse el botón **BAND (21)** para seleccionar la banda deseada, pulse el botón **MODE (18)** para seleccionar el modo de modulación deseado, gire el botón **PUSH (6)** para seleccionar el primer canal prioritario. Pulse el botón **PUSH (6)** para *confirmar y memorizar*.

El mismo procedimiento para el segundo canal prioritario en el menú [**EP99 2**]. Los canales **9** y **19** son; los canales por defecto.

Véase la función **EMG1/2**, página 32.

19) CONFIGURACIÓN CTCSS/DCS

Configurar el modo de funcionamiento del **CTCSS/DCS**. Dentro del menú [**CD±SE±**], gire el Botón **PUSH (6)** para seleccionar el modo de funcionamiento del **CTCSS** y **DCS**.

En modo “**E9**”, el valor (del tono o del código) es **equivalente** tanto para la emisión como para la recepción (modo por defecto).

En modo “**UN**”, el valor (del tono y del código) para la emisión puede ser diferente (**unlike**) del asignado a la recepción.

Ver la función **CTCSS/DCS**, pág. 33.

20) PUESTA A CERO - RESET

Puesta a t de la unidad, retorno a los valores de **FÁBRICA**. En el menú [**rESE±**] seleccione “**OPe**” para *reinicializar* a los valores de fábrica de las funciones, seleccione “**AL±**” para *reinicializar* todos los valores (funciones y canales). Efectue una corta presión sobre el botón **PUSH (6)** para *confirmar* la operación, espere hasta que la pantalla muestre “**rESEnd**”.

D) CARACTERÍSTICAS TÉCNICAS

1) GENERALES

- Modos de modulación : AM/FM/BLS/BLI/CW
- Gama de frecuencias : de 28.000 MHz a 29.700 MHz
: de 24.890 MHz a 24.990 MHz
- Impedancia de la antena : 50 ohms
- Tensión de la alimentación : 13,8 V
- Dimensiones (en mm) : 170 (L) x 250(P) x 52(A)
- Peso : ~ 1.4kg
- Accesorios incluidos : 1 micrófono Electret con teclas ▲/▼ y su soporte, 1 soporte de montaje, tornillos, cordón de alimentación con fusible.

2) EMISIÓN

- Tolerancia de Frecuencia : +/- 300 Hz
- Potencia portadora : 12 W AM/ 35 W FM / 35 W (PEP) BLS-BLI
12W CW
- Emisiones parasitas : inferior a -50 dBc
- Respuesta de Frecuencia : 300 Hz a 3 KHz en AM/FM/ BLS-BLI
- Potencia emisión en canal adj. : inferior a 20 µW
- Sensibilidad del micrófono : 3 mV
- Consumo : 6 A (con modulación)
- Distorsión máx. señal modul. : 2 %

3) RECEPCIÓN

- Sensibilidad máx. a 20dB sinad. : 0,7 µV - 110 dBm (AM)
0,35 µV - 116 dBm (FM)
0,28µV - 118 dBm(BLS/BLI/CW)
- Respuesta en frecuencia : 300 Hz a 3 KHz (AM/FM/ BLS/BLI)
- Sensibilidad del canal adj. : 60 dB
- Potencia audio max. : 3 W
- Sensibilidad silenciador (sq) : mini 0,2 µV - 120 dBm / max. 1 mV - 47 dBm
- Tasa de rechazo frec. imagen : 60 dB
- Tasa de rechazo frec. inter. : 70 dB
- Consumo : 400 mA nominal / 800 mA max.

E) GUÍA DE PROBLEMAS

1) LA EMISORA NO EMITE O VUESTRA EMISIÓN ES DE MALA CALIDAD

Verifique que:

- La antena este correctamente conectada y que la ROE este bien ajustada.
- El micro este bien conectado.
- El botón **RF POWER (2)** esté al máximo.
- El botón **MIC GAIN (8)** esté al máximo.
- El boton de **CLARIFIER (7)** esta ajustado en posición central.

2) LA EMISORA NO RECIBE O VUESTRA RECEPCIÓN ES DE MALA CALIDAD

Verifique que:

- El nivel del squelch este correctamente ajustado.
- El botón Volumen (1) este ajustado a un nivel conveniente.
- La antena este correctamente conectada y la ROE este bien ajustada.
- Se está utilizando la misma modulación que su interlocutor.
- El botón **RF Gain (9)** esté al máximo.
- El boton de **CLARIFIER (7)** esta ajustado en posición central.

3) LA EMISORA NO SE ILUMINA

- Verificar el alimentador.
- Verificar que no haya una inversión en los hilos al nivel de la acometida.
- Verificar el fusible.

F) LÉXICO

ALFABETO FONÉTICO INTERNACIONAL

A Alpha	H Hotel	O Oscar	V Victor
B Bravo	I India	P Papa	W Whiskey
C Charlie	J Juliett	Q Quebec	X X-ray
D Delta	K Kilo	R Romeo	Y Yankee
E Echo	L Lima	S Sierra	Z Zulu
F Foxtrott	M Mike	T Tango	
G Golf	N November	U Uniform	

CONDICIONES GENERALES DE GARANTÍA

Este aparato tiene una garantía de **2 años** de piezas y mano de obra en el país de compra, contra cualquier vicio o defecto de fabricación que sea reconocido por nuestro departamento técnico. El laboratorio del SPV de PRESIDENT se reserva el derecho de no aplicar la garantía si una avería ha sido provocada por una antena no distribuida por la marca PRESIDENT. Una extensión de garantía de **3 años** se aplicará sistemáticamente, por la compra simultánea de una emisora y de una antena de la marca PRESIDENT, aumentando la garantía total a **5 años**. Para ser válido, el registro de la garantía debe ser completado y enviado dentro de los 30 días siguientes a la compra para PRESIDENT al www.president-electronics.us/warranty-registration. También puede acceder a esta página de registro de garantía mediante el uso de su smartphone para leer (la aplicación debe estar disponible) el código QR en la tarjeta de garantía adjunta. Usted recibirá un correo electrónico de confirmación si el registro se ha realizado correctamente. Le recomendamos que guarde una copia de este correo electrónico.

Cualquier reparación en garantía será gratis y los gastos de envío de vuelta correrán a cargo de PRESIDENTE. La prueba de compra, factura de venta, debe ser obligatoriamente adjunta al aparato cuando se envíe para su reparación. Las fechas inscritas en el resguardo de garantía y la prueba de compra deben concordar.

En caso de que la unidad está fuera de garantía, se le cobrará la reparación y devolución del aparato.

Ninguna pieza de recambio será enviada, por nuestro departamento técnico, en base a la garantía.

Asegúrese de haber leído el manual antes de la instalación de la unidad.

La garantía sólo es válida en el país de compra.

Esta garantía no cubre:

- Los daños causados por accidente, como golpes, caídas, incendios, embalaje inadecuado, negligencia o mantenimiento inadecuado.
- El desgaste normal de un producto (transistores de potencia, micrófonos, luces, fusibles), el uso indebido (incluyendo la antena utilizada, demasiada ROE, polaridad inversa, malas conexiones, sobre-tensión, etc.), y si no se siguen las características de instalación y el uso.
- La garantía no puede extenderse debido a la falta de disponibilidad del dispositivo, mientras está siendo reparado en el SPV PRESIDENT, ni por un cambio de uno o más componentes o piezas de repuesto.
- Todos los productos modificados o reparados por el cliente o cualquier otra persona no autorizada expresamente por PRESIDENT.

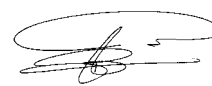
Si Ud. observa defectos de funcionamiento:

- Compruebe la alimentación de su aparato y el estado del fusible.
- Compruebe que la antena y el micrófono están conectados correctamente.
- Compruebe que el nivel des squelch está configurado correctamente y la configuración programada es la correcta.

- En caso de un fallo de funcionamiento real, por favor póngase en contacto con su distribuidor en primer lugar, que decidirá qué medidas tomar.

En caso de una intervención no cubierta por la garantía o fuera del plazo, usted tendrá posibilidad de hacer inspeccionar o reparar su producto. Se hará un presupuesto previo por escrito para su posterior aceptación.

Ud. ha confiado en la experiencia y calidad de PRESIDENT y se lo agradecemos. Para que quede totalmente satisfecho de su compra, aconsejamos leer atentamente este manual.



La Dirección Técnica

y el

Departamento de Calidad



AVISO PROPOSIÇÃO 65: Este produto contém uma substância química conhecida no Estado da Califórnia por causar câncer e defeitos congênitos ou outros danos reprodutivos.

AVISO!

- *O uso deste aparelho é condicionado à posse de uma licença de Rádio Amador*
- *Antes da utilização, tenham cuidado de nunca emitir sem ter previamente conectado a antena (conector "B" situado na parte de trás do seu aparelho), ajustado a ROE (Relação das Ondas Estacionárias)! Senão, pode-se danificar o amplificador de potência, não coberto pela garantia.*

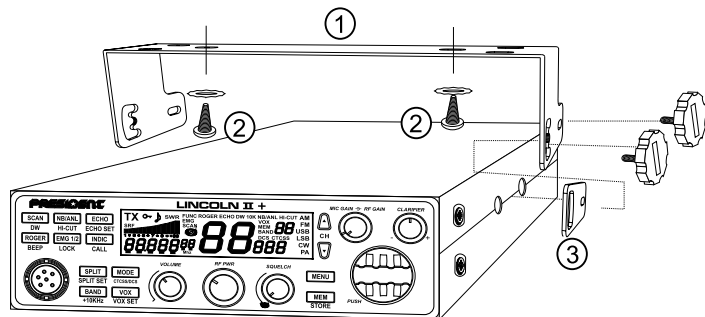
A garantia deste artigo só é válida no país de compra.

Bem vindo ao mundo da nova geração de rádios transceptores. A nova gama PRESIDENT dá acesso a equipamentos Transceptores de desempenho de topo. Com a utilização de modernas tecnologias, que garante qualidade sem precedentes, o presidente LINCOLN II + ASC é um novo passo na comunicação pessoal e é a escolha mais segura para os mais exigentes Radioamadores. Para garantir que você aproveita ao máximo de todas as suas capacidades, aconselhamo-lo a ler atentamente este manual antes de instalar e utilizar o seu PRESIDENT LINCOLN II + ASC.

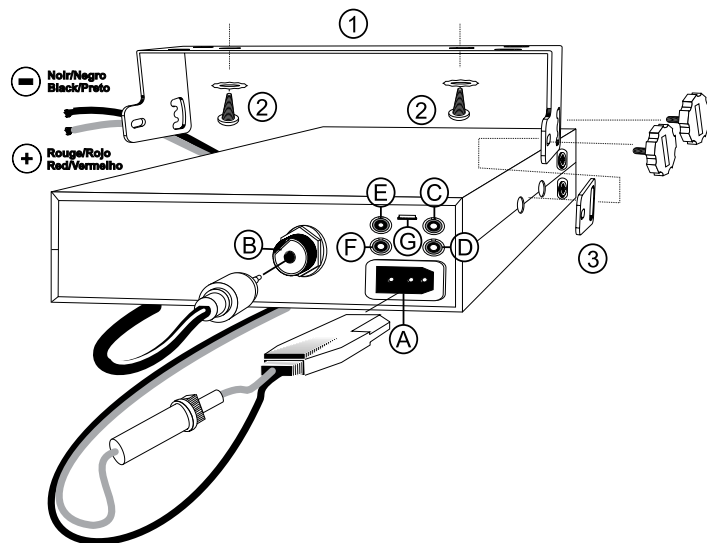
A) INSTALAÇÃO

1) ONDE E COMO MONTAR O SEU TRANSCETOR

- Você deve escolher a configuração mais adequada do ponto simples e prático de vista.
- O rádio transceptor não deve interferir com o motorista ou com os passageiros.
- Lembre-se de prever a passagem e proteção de fios diferentes (por exemplo, alimentação, antena, cabos acessório) para que eles não interfiram de modo algum com a condução do veículo.
- Para instalar o equipamento, use o suporte (1) e os parafusos auto-perfurantes (2) fornecido (diâmetro da perfuração 3,2 mm). Tome cuidado para não danificar o sistema elétrico do veículo durante a perfuração do painel de bordo.



- Não se esqueça de inserir as anilhas de borracha (3) entre o transceptor e seu apoio uma vez que estes têm um efeito de absorção de choque que permite suave orientação e aperto do conjunto.
- Escolha onde colocar o suporte do microfone e lembre-se de que o cabo do microfone deve estar para o motorista, sem interferir com os controles do veículo.



NB: Como o transceptor tem uma tomada de microfone frontal, que pode ser definido no painel de bordo. Neste caso, você vai precisar adicionar um alto-falante externo para melhorar a qualidade do som de comunicações (conector EXT SP situados no painel traseiro: C). Pergunte ao seu revendedor para obter conselhos sobre a montagem do seu rádio transceptor.

2) INSTALAÇÃO DA ANTENA

a) Escolher a sua antena

- Para rádios transceptores, mais a antena, melhor seus resultados. O seu revendedor será capaz de ajudá-lo com a sua escolha de antena.

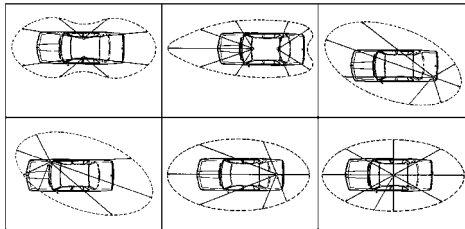
b) Antena móvel

- Deve ser fixado ao veículo onde há um máximo de superfície metálica (plano de terra), longe de montagens de para-brisas.
- Se você já tem uma antena de rádio telefone instalado, a antena transceptora deve ser maior do que isso.

- Existem dois tipos de antenas: pré regulamentadas, que devem ser usados num bom plano de terra (por exemplo, no telhado do carro ou tampa de porta-bagagens) e ajustável, que oferecem uma gama muito maior e pode ser usado em um plano de terra menor (veja § **COMO AJUSTAR SWR**, abaixo).
- Para uma antena que deve ser fixada pela perfuração, você vai precisar de um bom contacto entre a antena e o plano de terra. Para obter isso, você deve levemente raspar a superfície onde o parafuso e anilha estrela de aperto devem ser colocados.
- Tenha cuidado para não apertar ou achatado o cabo coaxial (como este corre o risco de quebrar e / ou curto-circuito).
- Ligue a antena (**B**).

c) Antena fixa

- A antena fixa deve ser instalada em um espaço mais claro possível. Se ela é fixada em um mastro, que será talvez necessário para ficar que, de acordo com a legislação em vigor (você deve procurar aconselhamento profissional). Todas as antenas e acessórios PRESIDENT são projetadas para dar o máximo de eficiência para cada rádio transceptor dentro da gama.



LÓBULO DE RADIAÇÃO

3) LIGAÇÃO DE ALIMENTAÇÃO

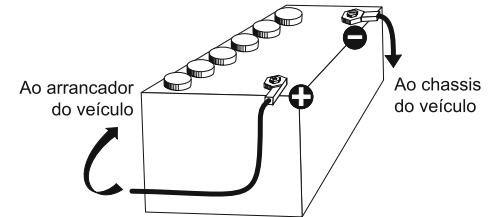
Seu PRESIDENT LINCOLN II + ASC está protegido contra inversão de polaridade. No entanto, antes de ligá-lo, você é aconselhado a verificar todas as ligações. O equipamento deve ser alimentado com uma corrente contínua de 12 volts (**A**). Hoje, a maioria dos carros e caminhões são de negativo à terra. Você pode verificar isso para ter certeza de que o terminal negativo da bateria está ligado tanto ao bloco do motor ou ao chassi. Se não for este o caso, você deve consultar o seu revendedor.

ATENÇÃO: Camiões geralmente têm duas baterias e uma instalação eléctrica de 24 volts, caso em que será necessário inserir um conversor 24/12 Volts

(tipo CV 24/12 PRESIDENT) para o circuito eléctrico. Os passos seguintes de ligação devem ser realizados com o cabo de força desligado do conjunto.

- Verifique se a bateria é de 12 volts.
- Localize os terminais positivo e negativo da bateria (+ é vermelho e - é preto). Se for necessário para alongar o cabo de alimentação, você deve usar o mesmo ou um tipo de cabo superior.
- É necessário ligar o transceptor a uma ligação permanente (+) e (-). Aconselhamo-lo a ligar o cabo de alimentação diretamente à bateria (como a ligação do cabo de transceptor para a fiação do carro - rádio ou outras partes do circuito eléctrico pode, em alguns casos, aumentar a probabilidade de interferência).
- Ligue o fio vermelho (+) ao terminal positivo da bateria e o preto (-) fio ao terminal negativo da bateria.
- Ligue o cabo de alimentação para o seu rádio transceptor.

AVISO: Nunca substitua o fusível original (6 A) por um de um valor diferente.



4) OPERAÇÕES BÁSICAS DE SEREM FEITAS ANTES DE USAR O SEU TRANSCETOR PELA PRIMEIRA VEZ (sem transmitir e sem utilizar a tecla PTT "push-to-talk" no microfone)

- Ligue o microfone
- Verifique as conexões da antena
- Ligue o aparelho rodando o botão de **VOLUME (1)** no sentido horário.
- Rode o botão silenciador **SQUELCH (3)** para o mínimo.
- Ajuste o volume para um nível confortável.
- Ir para o canal 20, utilizando as teclas **▲/▼ (10)**.

5) COMO AJUSTAR SWR (relação de onda estacionária)

Com o medidor de SWR integrado

Coloque a unidade em AM ou FM com a tecla **MODE (18)**. Usando o botão **PUSH (6)**, ou as teclas **▲/▼ (10)** posicione a unidade no meio da banda (que são aconselhados a verificar os valores obtidos nas frequências extremas, em todos os casos é necessário calibrar). Verificar que o botão **RF PWR (2)** está no máximo.

Pressione a tecla **INDIC (12)** no modo de **TX** até que "SWR" apareça no visor. Se necessário, ajustar a sua antena para estar perto de **01.0**.

Aviso: Para quaisquer perdas e atenuações em cabos utilizados para a ligação entre o rádio e os seus acessórios, PRESIDENT recomenda usar um cabo com um comprimento inferior a 3 m.

Seu transceptor está agora pronto para o uso.

B) COMO USAR O SEU TRANSCETOR

1) ON/OFF ~ VOLUME

Para *ligar* o rádio: rode o botão **VOLUME (1)** no sentido horário, até o rádio emitir um sinal sonoro e mostrar o canal atual, o rádio está ligado “on”.

Para *desligar* o rádio: rode o botão **VOLUME (1)** no sentido anti-horário até o rádio emitir um clique, em seguida, o rádio é desligado “off”.

Para *ajustar* o volume: rádio ligado, rode o botão **VOLUME (1)**.

O LCD mostra por 5 segundos o nível de volume “**U L L XX**”. Rode no sentido horário para aumentar o volume. Total é de **56** níveis. Rode no sentido Anti-horário para diminuir o volume.

2) RF POWER

No modo transmissão (**TX**), rode o botão **RF PWR (2)** para *ajustar* a potência de saída em AM /FM / USB / LSB. Rodar no sentido horário para aumentar a potência. Anti-horário para diminuir a potência.

3) ASC (controle de Squelch automático) ~ SQUELCH

Suprime ruídos indesejáveis quando não há comunicação. O squelch não afeta o som nem a potência de transmissão, mas permite uma melhoria considerável do conforto auditivo.

a) ASC: CONTROLE SQUELCH AUTOMÁTICO

Patente em todo o mundo, uma exclusividade PRESIDENT.

Rode o botão **SQUELCH (3)** anti-horário para a posição **ASC**. “**ASC**” aparece no LCD. Sem repetir o ajuste manual, há uma melhoria permanente entre a sensibilidade e o conforto de audição quando **ASC** está ativo. Esta função pode ser desligada, rodando o botão no sentido horário. Neste caso, o ajuste do squelch torna-se de novo manual. “**ASC**” desaparece do LCD, “**59L on**” aparece por 5 segundos.

b) SQUELCH MANUAL

Rode o botão **SQUELCH (3)** no sentido horário até ao ponto exato em que todo o ruído de fundo desaparece. Este ajuste deve ser feito com precisão pois se fosse definido como máximo (totalmente no sentido horário), apenas os sinais mais fortes serão recebidos. LCD mostra “**59L XX**” por 5 segundos, indicando o nível de volume do squelch. O total é de **36** níveis.

4) MENU

Pressione a tecla **MENU (4)** por 2 segundos para *entrar* na função de configuração do menu. “**FUNC**” aparece no LCD.

Use Teclas **▲/▼ (10)** para *selecionar* a função desejada.

Use o botão de rotativo **PUSH (6)** para *definir* a função.

Pressione qualquer tecla, exceto o botão **PUSH (6)** ou aguarde 5 segundos para *guardar* e *sair*. “**FUNC**” desaparece do LCD.

Veja os detalhe § **FUNÇÕES DO MENU**, página 46.

5) MEM ~ STORE

MEM (pressão breve)

Pressione a tecla **MEM (5)** para *entrar* no modo de memória.

Pressione as teclas **▲/▼ (10)** para *selecionar* o canal pré-armazenado (6 memórias).

Pressione a tecla **MEM (5)** novamente para *sair* do modo de memória.

STORE (pressão longa)

Selecione o canal desejado, banda e modo de modulação.

Pressione e segure a tecla **MEM-STORE (5)** para *entrar* no modo configuração e armazenamento do canal, a memória pisca no LCD.

Rode o botão **PUSH (6)** para selecionar a memória de armazenamento **n 1 ~ n6**. Pressione e segure a tecla **MEM-STORE (5)** até desaparecer o piscar da memória. O registo foi concluído, *saia* do modo de configuração e do canal de memória.

6) BOTÃO DE PRESSÃO ROTATIVO “PUSH”

No modo **POWER ON**, rode o botão **PUSH (6)** para *ajustar* a frequência. No sentido horário para aumentar, para a esquerda para diminuir.

Pressione o botão **PUSH (6)**, “**_**” aparece em baixo da frequência, a fim de *ajustar* os saltos de frequência.

Pressione ou rode o botão **PUSH (6)** também é usado para *definir* funções ou parâmetros.

7) CLARIFIER

O botão **CLARIFIER (7)**, *permite* um desvio de frequência durante a recepção, a fim de melhorar a clareza da voz de seu interlocutor.

8) MIC GAIN

No modo **POWER ON**, rode o botão **MIC GAIN (8)** para *ajustar* o ganho do microfone para *transmissão*. LCD mostra “**n 4 XX**” por 5 segundos, o que

13) ECHO ~ ECHO SET

ECHO (pressão breve)

Pressione a tecla **ECHO (13)** para *ativar/desativar* a função **ECHO**. O LCD mostra "ECHO".

ECHO SET (pressão longa)

Pressione a tecla **ECHO-ECHO SET (13)** para *ajustar* o volume e o tempo de **ECHO**, a indicação "ECHO" pisca no LCD.

Pressione as teclas **▲/▼ (10)** para *selecionar* de forma alternativa entre "**DELAY**" ou "**TIME**" na lista do menu.

Rode o botão **PUSH (6)** para *ajustar* a função selecionada.

A função "**DELAY**" tem 32 níveis de ajuste, por defeito vem ajustado no nível 10. A função "**TIME**" tem 32 níveis de ajuste, por defeito vem ajustado no nível 1. O LCD mostra os níveis selecionados.

Pressione a tecla **MEM-STORE (5)** durante 2 segundos para *memorizar* a definição e passar para o próximo item do menu. Espere durante 5 segundos para *sair* do menu de ajuste do echo **ECHO SET**.

14) EMG ~ LOCK

EMG (pressão breve)

Pressione a tecla **EMG (14)** para entrar no canal de Emergência. LCD mostra "EMG". Primeira vez para selecionar o primeiro canal prioritário **configurado** pela segunda vez para selecionar o primeiro canal prioritário **configurado**, terceira vez para voltar ao canal atual. Los canais prioritários por defeito são o canal 9 e o canal 19 (veja § **CONFIGURAÇÃO DOS CANAIS PRIORITÁRIOS** página 48)

LOCK (pressão longa)

Pressione a tecla **CH19/9-LOCK (14)** para *ativar* a função de bloqueio das teclas. LCD indica "•".

Pressione e segure tecla **CH19/9-LOCK (14)** novamente para *anular* a função de bloqueio das teclas. "•" desaparece do LCD.

Nota: As teclas do painel frontal estão bloqueadas quando a função **LOCK** está ativada, exceto a tecla **PIT (23)** e os botões (o botão **PUSH (6)** está bloqueado). LCD mostra "**Err**" quando uma tecla pressionada for bloqueada.

15) NB/ANL ~ HI-CUT

NB/ANL (pressão breve)

São possíveis 3 posições: **Off** (nenhum filtro ativado) • **NB** (NB filtro ativado) • **NB/ANL** (ambos os filtros ativados). Quando ativo, o filtro é exibido na tela LCD.

NB: Redutor de Ruídos / **ANL:** Limitação do Ruído automático. Estes filtros permitem a redução de ruídos terrestres e algumas interferências de recepção.

HI-CUT (pressão longa)

HI-CUT : *Corta* as interferências de alta frequência e tem de ser utilizado de acordo com as condições de recepção. Quando ativo "**HI-CUT**" é exibido na tela LCD.

16) ROGER ~ BEEP

ROGER BEEP (pressão breve)

Pressione a tecla **ROGER (16)** para *ativar/desativar* a função **ROGER BEEP**.

"**ROGER**" aparece no LCD quando a função está ativa.

O Roger beep emite um sinal sonoro quando se solta a tecla de **PIT (23)** do microfone, a fim de deixar a fala ao seu correspondente.

Historicamente como transceptor é um modo de comunicação "simples", não é possível falar e escutar ao mesmo tempo (como é o caso com um telefone). Uma vez que alguém tenha acabado de falar, ele disse: "Roger", a fim de avisar o seu correspondente que era a sua vez de falar. A palavra "Roger" foi substituída por um sinal significativo com nome de "Roger beep".

BEEP DE TECLADO (pressão longa)

Pressione a tecla **ROGER-BEEP (16)** por 2 segundos para *ativar/desativar* a função **BEEP**. Um sinal sonoro é emitido quando a tecla é pressionada, a mudança do canal, etc. "♪" aparece no visor quando a função está ativa.

17) SCAN ~ DW

SCAN (BUSCA) (pressão breve)

Pressione a tecla **SCAN (17)** para habilitar a função **SCAN**. LCD mostra "SCAN". A busca pára assim que existe um canal ocupado. No modo **SCAN**, pressione **▲/▼** para mudar a direção da busca.

Pressione a tecla **SCAN (17)** novamente ou a tecla **PIT (23)** para sair do scan.

DUAL WATCH (DUPLA ESCUTA) (pressão longa)

Esta função permite *fazer* um levantamento entre o canal definido no menu [**DJL**] (veja **CONFIGURAÇÃO DW (DUPLA ESCUTA)**, página 47) e o canal atual.

Uma pressão longa na tecla **SCAN-DW (17)** para *habilitar* a função **DW**. LCD mostra "DW".

Pressione e segure tecla **SCAN-DW (17)** novamente ou tecla **PIT (23)** para *sair* da função **DW**.

18) MODE ~ CTCSS/DCS

MODE (pressão breve)

Pressione a tecla **MODE (18)** para **selecionar** o modo de modulação: AM ~ FM ~ USB ~ LSB ~ CW ou PA. O modo correspondente é exibido na tela LCD. Seu modo de modulação deve corresponder ao do seu correspondente.

- Frequência Modulada / **FM**: para comunicações próximas em um campo aberto plano.
- Amplitude Modulação/ **AM**: comunicação em um campo com alívio e obstáculos à meia distância (o mais usado).
- Banda Lateral / **USB - LSB**: usada para comunicações de longa distância (de acordo com as condições de propagação).
- **CW** é usado com chave de morse no conector **KEY CW** no painel traseiro (F).
- Um alto-falante externo pode ser ligado ao seu LINCOLN II + pela tomada jack PA situada no painel **PA.SP (D)**. A mensagem transmitida no microfone será **dirigida** para o alto-falante externo e amplificado. *Veja § MIC GAIN página 43 para ajuste de volume.*

CTCSS/DCS (pressão longa)

Esta função só está habilitada na modulação FM

- Pressão longa na tecla **MODE-CTCSS/DCS (18)** para **permitir** o tom CTCSS ou o código DCS. **"CTCSS"**, **"DCS"** e **"OFF"** piscam no LCD (ou o último valor memorizado como por exemplo: **"CTCSS"** / **"04"**).
- Rode o botão **PUSH (6)** para **definir** o tom CTCSS desejado. Há **38** tons CTCSS (**1 ~ 38**).
- Continue a rodar o botão **PUSH (6)** para **definir** o código DCS desejado. Há **104** códigos DCS (**01 ~ 104**).
- Selecione **"OFF"** para **desativar** o tom CTCSS ou o código DCS.
- De acordo com o menu [**CDt SEt**] (veja o § **CONFIGURAÇÃO CTSS/DCS**, página 48), uma pressão larga na tecla **MEM-STORE (5)** permite :
No modo "EQ" de :
- **Armazenar** o tom CTCSS ou o código DCS. Para de piscar.
No modo "Uf"
- **Armazenar** o tom CTCSS ou o código DCS da recepção (**RX**). **"TX"** pisca com os dados escolhidos.
- Rode o botão **PUSH (6)** para **definir** o tom CTCSS ou o código DCS para a emissão (**TX**).
- Uma pressão larga na tecla **MEM-STORE (5)** permite **armazenar** o tom CTCSS ou o código DCS da emissão (**TX**). Para de piscar.
- Longa pressão na tecla **MODE-CTCSS/DCS (18)** para **desativar** o tom CTCSS ou o código DCS.

Consulte as tabelas na página 51.

19) VOX ~ VOX SET

VOX (pressão breve)

A função **VOX** permite transmitir ao falar no microfone original (ou no microfone vox opcional) sem pressionar a tecla **PIT (23)**. A utilização de um microfone vox opcional ligado ao painel traseiro do rádio na tomada **VOX MIC (E)**, desativa o microfone original.

Pressione a tecla **VOX (19)**, a fim de **ativar** a função **VOX**. **"VOX"** é exibido na tela LCD. Uma nova pressão sobre a tecla **VOX (19)** **muda** a função. **"VOX"** **desaparece** do LCD.

VOX SET (pressão longa)

Pressione durante 2 segundos a tecla **VOX-VOX SET (19)**, a fim de **ativar** a função **VOX SET** (se a função **VOX** estiver desligada, isso irá **ativar** a função e exibir **"VOX"** no LCD). **"SEN5, t"** Aparece na tela LCD.

Três características são possíveis: **Nível de sensibilidade (SENTI)**, **Nível de Anti-Vox (ANTI)** e **Temporização (DELAY)**.

Pressione as teclas **▲/▼ (10)**, a fim de **passar** à função seguinte. LCD mostra a função.

Rode **PUSH (6)** para **definir** a função.

Pressione a tecla **MEM-STORE (5)** para **armazenar** e ir para a próxima função.

Uma vez que os ajustes são feitos, pressione a tecla **VOX-VOX SET (19)**, a fim de sair da função **VOX SET**. Se nenhum ajuste foi feito durante 5 segundos, o rádio irá sair da função **VOX SET** automaticamente.

- Sensibilidade **"SEN5, t"**: permite ajustar o microfone (original ou vox opcional) para uma qualidade de transmissão ideal. Nível ajustável de **1** (alta sensibilidade) a **9** (baixa sensibilidade) com ajuda do comutador rotativo de canais **PUSH (6)**. Padrão: **5**.
- Anti-Vox **"Ant1"** permite **impedir** a transmissão gerada pelo ruído ambiente. O nível é ajustável: **0** (OFF), a partir de **1** (nível alto) a **9** (nível baixo) com ajuda do comutador rotativo de canais **PUSH (6)**. Padrão: **9**.
- Temporização **"DELAY"**: permite **evitar** o corte repentino da transmissão pela adição de um atraso no final da palavra. O nível é ajustável de **1** (demora pouco tempo) a **9** (demora muito tempo). Padrão: **1**.

20) SPLIT ~ SPLIT SET

SPLIT (pressão breve)

A função **SPLIT** permite transmitir e receber em frequências separadas. Pressione a tecla **SPLIT (20)** para **ativar** a função de repetidor, LCD indica **"SPL It on"** por 5 segundos.

Pressione a tecla **SPLIT (20)** novamente para **desativar** a função de repetidor, LCD indica **"SPL It off"** por 5 segundos.

Atenção: Canal, Banda e Frequência estão piscando se a função **SPLIT** está ativa.

SPLIT SET (pressão longa)

Uma pressão longa na tecla **SPLIT-SPLIT SET (20)** para *definir* o DESVIO e DIREÇÃO da frequência do repetidor.

Pressione as teclas ▲/▼ (10) para alternar na lista do menu as frequências desejadas.

Rode o botão **PUSH (6)** para *definir* os valores desejados.

Pressione a tecla **MEM-STORE (5)** por 2 segundos para *memorizar* os valores desejados e *avançar* para o próximo menu.

Pressione a tecla **SPLIT-SPLIT SET (20)** ou aguarde 5 segundos para sair da função **SPLIT SET**.

- FREQUENCY OFFSET: a frequência pisca na tela LCD.
- DIREÇÃO: LCD mostra "5PL, L". "H" em LCD significa deslocamento positivo definido no canal atual, "--" significa deslocamento negativo definido no canal atual.

21) BAND ~ +10KHz

BAND (pressão breve)

Pressione a tecla **BAND (21)** para movimento rápido saltando 200 kHz nos segmentos A ~ b ~ c ~ d ~ E ~ F ~ G ~ H ~ i ~ j.

+10KHz (pressão longa)

Pressione e segure a tecla **BAND-10 KHz (21)** para *ativar* a frequência de +10 KHz. LCD indica "10K".

Pressione e segure a tecla **BAND-10 KHz (21)** novamente para *desativar* frequência +10 KHz. "10K" desaparece do LCD.

22) TOMADA MICROFONE 6 PINOS

A tomada encontra-se no painel frontal do transceptor e facilita o ajuste mais fácil do equipamento no painel do seu veículo.

Veja Diagrama de Cabeamento página 51.

23) PTT "Push To Talk"

Pressione a tecla de transmissão, para transmitir uma mensagem, "TX" é exibido, solte para ouvir uma comunicação de entrada.

A) ALIMENTAÇÃO (13,8 V)

B) CONECTOR DE ANTENA (SO-239)

C) ALTO-FALANTE EXTERNO JACK (8 Ω , Ø 3,5 mm)

D) JACK PARA OPCIONAL PA (Public Address) (Ø 3.5 m)

E) JACK PARA OPCIONAL VOX MIKE (Ø 2,5 mm)

F) JACK DE DISPOSITIVO CW (Ø 3.5 mm)

G) DADOS USB

C) FUNÇÕES DO MENU

Pressione a tecla **MENU (4)** por 2 segundos para *entrar* na função de configuração do menu. "FUNC" aparece no LCD.

Use a tecla (10) ▲/▼ para *selecionar* a função desejada.

Use o botão de pressão rotativo **PUSH (6)** para *definir* a função.

Pressione qualquer tecla, exceto o botão **PUSH (6)** ou aguarde 5 segundos para *guardar* e *sair*. "FUNC" desaparece do LCD.

1) FREQUÊNCIA DO ROGER BEEP

Defina a **FREQUÊNCIA** do **ROGER BEEP**.

No menu [r b E E P F r], rode o botão **PUSH (6)** para *definir* a frequência.

Faixa de frequência: 300 Hz ~ 3000 Hz, em passos de 10 Hz. O valor por defeito é de 1050 Hz.

Pressione o botão **PUSH (6)** para *alterar* o passo de frequência.

2) DURAÇÃO DO ROGER BEEP

Defina a **DURAÇÃO** (ms) do **ROGER BEEP**.

No menu [r b E E P t r], rode o botão de pressão **PUSH (6)** para definir a duração.

Intervalo de tempo de 50 ~ 1000 ms, em passos de: 50 ms, o valor por defeito é de: 500 ms.

Pressione o botão **PUSH (6)** para *alterar* o passo.

3) FREQUÊNCIA CW

Defina a **FREQUÊNCIA** de **CW**.

No menu [C J U t o F r], rode o botão **PUSH (6)** para *definir* a frequência.

Faixa de frequência varia entre: 300 Hz ~ 3000 Hz, em passos de 10 Hz. O valor padrão é de 1050 Hz.

Pressione o botão **PUSH (6)** para *mudar* o passo.

4) FREQUÊNCIA DO SINAL DE CHAMADA (CALL)

Defina a **FREQUÊNCIA** do **SINAL DE CHAMADA**.

No menu [C A L L F r], rode o botão **PUSH (6)** para *definir* a frequência . A

faixa de frequência varia entre: 300 Hz ~ 3000 Hz, em passos de 10 Hz. O valor por defeito é de 1050 Hz.

Pressione o botão **PUSH (6)** para mudar o passo.

5) MONITOR GAIN VOLUME

Defina o nível de **VOLUME** de saída do microfone no seu próprio alto-falante. No menu [**MONITOR**], rode o botão **PUSH (6)** para definir o nível de volume Monitor.

Há **32** níveis. “**OFF**” desativa esta função.

6) TOT (Time Out Timer)

Ajuste a função **TOT**. Se a tecla de **PIT (23)** for pressionada por mais do tempo “**TOT**”, a transmissão termina.

No menu [**TOT**], rode o botão **PUSH (6)** para *definir* o **TOT**. “**OFF**” *desativa* a função.

Intervalo de tempo de 30 ~ 600 s, em passos de tempo: 30 s, padrão: 180 s.

7) PROTEÇÃO SWR

Ativar/desativar a **PROTEÇÃO SWR**.

No menu [**SWR**], rode o botão **PUSH (6)** para *ativar* “**ON**” ou *desativar* a **PROTEÇÃO** “**OFF**”. Padrão: “**ON**”.

8) AJUSTE DA PROTEÇÃO SWR

Ajustar a **PROTEÇÃO SWR**.

No menu [**SWR**], rode o botão **PUSH (6)** para *definir* o nível de proteção. Faixa de Nível: 12 ~ 200, em passos de: 1, padrão: 200.

Aperte o botão **PUSH (6)** para mudar o passo. Este ajuste só é possível quando a função **PROTEÇÃO SWR** está ativa.

9) PROTEÇÃO DA TENSÃO

Ativar/desativar a **PROTEÇÃO DA TENSÃO**.

No menu [**VOLTAGE**], rode o botão **PUSH (6)** para *ativar* “**ON**” ou *desativar* a **PROTEÇÃO** “**OFF**”. Padrão: “**ON**”.

10) LIMITE SUPERIOR DA PROTEÇÃO DA TENSÃO

Defina o **LIMITE SUPERIOR** de proteção da tensão.

No menu [**SET CL**], rode o botão **PUSH (6)** para *definir* o limite superior. Faixa de tensão: 90V ~ 170V (9,0 ~ 17,0 V), em passos de: 0,1V. Padrão: 100V.

Aperte o botão **PUSH (6)** para *mudar* o passo. Este ajuste só é possível quando a função **PROTEÇÃO DA TENSÃO** está ativa.

11) LIMITE INFERIOR DA PROTEÇÃO DA TENSÃO

Defina o **LIMITE INFERIOR** de proteção da tensão.

No menu [**SET CL**], rode o botão **PUSH (6)** para *definir* o limite inferior.

Faixa de tensão: 90V ~ 170V (9,0 ~ 17,0 V), em passos de: 0,1V. Padrão: 100V.

Aperte o botão **PUSH (6)** para *mudar* o passo. Este ajuste só é possível quando a função **PROTEÇÃO DA TENSÃO** está ativa.

12) TIPO DE SCAN (BUSCA)

Selecione o **TIPO** de busca dos canais.

No menu [**SCAN**], rode o botão **PUSH (6)** para *selecionar* o tipo.

“**S**” significa que a busca é interrompida assim que um canal é ativo.

“**E**” significa que a busca é interrompida assim que um canal é ativo e volta à busca após 5 segundos.

13) COR DA RETRO ILUMINAÇÃO

Selecione a **COR** da luz de fundo da unidade.

No menu [**COLOR**], rode o botão **PUSH (6)** para *selecionar* a cor.

Três cores são possíveis: “**R**” (laranja / padrão), “**G**” (verde) ou “**B**” (azul).

14) BRILHO DA RETRO ILUMINAÇÃO

Ajustar o **BRILHO** da luz de fundo da unidade.

No menu [**BR, GR**], rode o botão **PUSH (6)** para selecionar o brilho.

Nível de Brilho: 1 a 9. Padrão: 9.

15) CONFIGURAÇÃO DAS TECLAS ▲/▼

Defina a **CONFIGURAÇÃO** das teclas ▲/▼.

No menu [**UP dn**], rode o botão **PUSH (6)** para *selecionar* a função.

“**H**” significa que as teclas mudam o canal (padrão).

“**F**” significa que as teclas mudam a frequência.

Nota: se a frequência for selecionada, *aperte* o botão **PUSH (6)** para selecionar o dígito de frequência para ser aumentado pelas teclas ▲/▼.

16) CONFIGURAÇÃO DW (DUPLA ESCUTA)

Defina o canal utilizado com função **DUPLA ESCUTA**.

No menu de [**DJL**], pressione a tecla **BAND (21)** para *selecionar* a banda desejada, pressione a tecla **MODE (18)** para selecionar o modo de modulação desejado, rode o botão **PUSH (6)** para selecionar o canal. Padrão:

banda: 1 - modulação: **FM** - canal: 09.

Veja função **DUAL WATCH (DUPLA ESCUTA)**, página 44.

17-18) CONFIGURAÇÃO DOS CANAIS PRIORITÁRIOS

Configura os dois canais prioritários. No menu [E179 1], aperte a tecla **BAND (21)** para *selecionar* a banda desejada, aperte a tecla **MODE (18)** para *selecionar* o modo de modulação desejado, rode o botão **PUSH (6)** para *selecionar* o canal. Os valores por defeito são: banda : f - modulação: FM - Canal: 09.

Mesmo procedimento para o canal prioritário no menu [E179 2]. Os valores por defeito são: banda : f - modulação: FM - Canal: 19.

Ver função **EMG 1/2** página 44.

19) CONFIGURAÇÃO CTCSS/DCS

Defina o modo de funcionamento do **CTCSS / DCS**.

No menu [C455E], rode o botão **PUSH (6)** para *selecionar* o modo de funcionamento do **CTCSS** et **DCS**.

No Modo «E9», o valor (do tom ou do código) é equivalente tanto na emissão que na recepção (padrão).

No modo «UN», o valor (do tom ou do código) na emissão pode ser diferente (unlike) do valor na recepção

Veja a função **CTCSS/DCS**, página 45.

20) INICIALIZAÇÃO

Inicializa a unidade com os parâmetros da fábrica.

No menu [RESEt], seleccione «OPt» para inicializar todas as funções de configuração, seleccione «ALt» para inicializar todas as funções de configuração e os parâmetros dos canais.

Uma pressão breve no botão **PUSH (6)** para *confirmar*. Espere até LCD mostra «RESEnd».

D) CARACTERÍSTICAS TÉCNICAS

1) GERAL

- Modos de modulação : AM / FM / USB / LSB / CW
- Faixas de frequência : de 28.000 MHz a 29.700 MHz
: de 24.890 MHz a 24.990 MHz
- Antena de impedância : 50 ohms
- Fonte de alimentação : 13,8 V
- Dimensões (em mm) : 170 (W) x 250 (D) x 52 (H)
- Peso : 1,4 kg
- Acessórios fornecidos : Microfone UP/DOWN, com o apoio, suporte de montagem, parafusos e cabo de alimentação fundida.

2) TRANSMISSÃO

- Subsídio de frequência : + / - 300 Hz
- Potência da portadora : 12 W AM / 35 W FM
: 35 W USB- LSB (PEP) / 12 W CW
- Interferência Transmissão : inferior a - 50 dBc
- Resposta de áudio : 300 Hz a 3 KHz em AM / FM / USB / LSB
- Emissão de poder no canal adjacente : inferior a 20 µW
- Sensibilidade do microfone : 3,0 mV
- Drain : 6 A (com modulação)
- Modulada distorção do sinal : 2%

3) RECEPÇÃO

- Maxi . sensibilidade em 20 dB SINAD : 0,7 mV - 110 dBm (AM)
: 0,35 mV - 116 dBm (FM)
: 0,28 mV - 118 dBm (USB / LSB / CW)
- Resposta de frequência : 300 Hz a 3 kHz em AM / FM / LSB / USB / CW
- Seletividade de canal adjacente : 60 dB
- Potência máxima de áudio : 3 W
- Sensibilidade do Squelch : mínimo 0,2 mV - 120 dBm
: máximo 1 mV - 47 dBm
- Taxa de rejeição de imagem de frequência : 60 dB
- Rej frequência intermediária : 70 dB
- Drain : 400 mA nominal / 600 mA máximo

E) RESOLUÇÃO DE PROBLEMAS

1) O SEU TRANSCCEPTOR DE RÁDIO NÃO TRANSMITE OU SUA TRANSMISSÃO É DE MÁ QUALIDADE

Verifique se a antena está corretamente ligada e se o SWR está ajustado
Verifique se o microfone está conectado corretamente dentro

2) SEU TRANSCCEPTOR DE RÁDIO NÃO RECEBE OU RECEPÇÃO É FRACA

Verifique se o nível do silenciador é ajustado adequadamente.
Verifique se o volume está ajustado para um nível confortável .
Verifique se a antena está conectada corretamente e que os cabos de aço é ajustado adequadamente.
Verifique se você está usando o mesmo modo de modulação como o seu correspondente .

3) SEU TRANSCCEPTOR NÃO ACENDE

Verifique a fonte de alimentação.
Verifique a fiação de conexão.
Verifique o fusível.

F) GLOSSÁRIO

ALFABETO FONÉTICO INTERNACIONAL

A Alpha	H Hotel	O Oscar	V Victor
B Bravo	I India	P Papa	W Whiskey
C Charlie	J Juliett	Q Quebec	X X-ray
D Delta	K Kilo	R Romeo	Y Yankee
E Echo	L Lima	S Sierra	Z Zulu
F Foxtrott	M Mike	T Tango	
G Golf	N November	U Uniform	

CONDIÇÕES GERAIS DE GARANTIA

Este aparelho tem uma garantia de **2 anos** para peças e mão de obra no país de compra, contra qualquer defeito de fabricação reconhecido pelo nosso departamento técnico. O laboratório de SPV PRESIDENT reserva-se o direito de não aplicar a garantia em caso de dano que tenha sido causado por uma antena não distribuída pela marca PRESIDENT. Uma garantia estendida de **3 anos** será aplicada para a compra simultânea de um aparelho e de uma antena da marca PRESIDENT, aumentando a garantia total de **5 anos**. Para validar sua garantia, efetue a inscrição on-line no site PRESIDENT ELECTRONICS, www.president-electronics.us/warranty-registration no prazo de 30 dias a partir da data da compra. Você também pode acessar a página de registro de garantia usando seu smartphone para ler (o aplicativo deve estar disponível) o código QR no cartão de garantia em anexo. Você receberá um e-mail de confirmação da inscrição de garantia. Recomendamos que você guarde uma cópia deste e-mail.

Qualquer reparo sob garantia será sem carga e os custos de entrega de retorno serão suportados por PRESIDENT. A prova de compra deve imperativamente estar junta em caso do retorno de um produto a ser reparado. As datas da inscrição e da prova de compra devem corresponder.

No caso em que a intervenção não é coberta pela garantia serão faturados as peças, a mão de obra e os custos de transporte.

Nenhuma peça de reposição será enviada, pelo nosso departamento técnico, com base na garantia.

Não prossiga com a instalação do dispositivo sem ler o manual do usuário.

A garantia é válida somente no país de compra.

Esta garantia não cobre:

- Os danos provocados por acidentes tais como choques, quedas, incêndios ou embalagens defeituosas, negligência, ou manutenção inadequada.
- O desgaste normal de um produto (transistores de potência, microfones, luzes, fusíveis), o uso indevido (incluindo mas não se limitando à antena mal ajustada, SWR [relação de ondas estacionárias] excessiva ou muito grande, [superior a 2], inversão de polaridade, ligações erradas, sobretensão, etc.), a não observância das características de instalação e uso.
- A garantia não pode ser estendida devido à indisponibilidade do aparelho enquanto ele está sendo reparado pelo SPV PRESIDENT, nem por a troca de um ou mais componentes ou peças de reposição.
- Os reparos e/ou modificações feitas por terceiros sem a aprovação da empresa PRESIDENT.

Se você observar falhas de funcionamento:

- Verifique a fonte de alimentação do aparelho e a qualidade do fusível.
- Verifique se a antena, o microfone estão corretamente conectados.

- Verifique se o nível do silenciador squelch está devidamente ajustado; a configuração programada é a correta.
- Verifique os fios dos vários conectores, tomadas de antena, microfone e fonte de alimentação.
- Em caso de um real mau funcionamento, consulte primeiro seu provedor. Ele decidirá que medidas devem ser tomadas.

No caso de uma intervenção não coberta pela garantia ou fora do prazo, você ainda terá possibilidade de fazer inspecionar ou reparar o seu aparelho. Uma estimativa será estabelecida antes de qualquer reparo.

Você confiou na experiência e na qualidade da PRESIDENT e nós apreciamos isso. Para estar completamente satisfeito com a sua compra, por favor leia atentamente este manual.



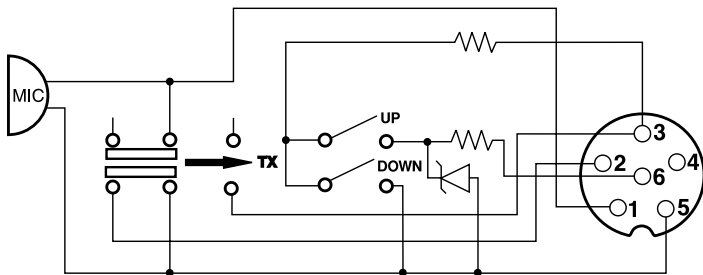
Gerente Técnico

e

Gerente da Qualidade



**6-PIN MICROPHONE PLUG • PRISE MICRO À 6 BROCHES
CONEXIÓN DEL MICRO 6 PINS • TOMADA MICROFONE 6 PINOS**



1	Modulation	Modulación	Modulation	Modulação
2	RX	RX	RX	RX
3	TX - UP/DOWN	TX - UP/DOWN	TX - UP/DOWN	TX - UP/DOWN
4	-	-	-	-
5	Masse	Masa	Ground	Terra
6	Alimentation	Alimentación	Power Supply	Alimentação

CTCSS TONES LIST • LISTE TONALITES CTCSS •

LISTA DE TONALIDADES CTCSS • LISTA DOS TONS CTCSS

No.	Freq. (Hz)	No.	Freq. (Hz)	No.	Freq. (Hz)
00 - ΔF	OFF	13	103.5	26	162.2
01	67.0	14	107.2	27	167.9
02	71.9	15	110.9	28	173.8
03	74.4	16	114.8	29	179.9
04	77.0	17	118.8	30	186.2
05	79.7	18	123.0	31	192.8
06	82.5	19	127.3	32	203.5
07	85.4	20	131.8	33	210.7
08	88.5	21	136.5	34	218.1
09	91.5	22	141.3	35	225.7
10	94.8	23	146.2	36	233.6
11	97.4	24	151.4	37	241.8
12	100.0	25	156.7	38	250.3

DCS CODE LIST • LISTE CODES DCS

LISTA DE LOS CÓDIGOS DCS • LISTA DOS CÓDIGOS DCS

Code No.	DCS (Octal)	Code No.	DCS (Octal)	Code No.	DCS (Octal)	Code No.	DCS (Octal)
1	023	27	152	53	311	79	466
2	025	28	155	54	315	80	503
3	026	29	156	55	325	81	506
4	031	30	162	56	331	82	516
5	032	31	165	57	332	83	523
6	036	32	172	58	343	84	526
7	043	33	174	59	346	85	532
8	047	34	205	60	351	86	546
9	051	35	212	61	356	87	565
10	053	36	223	62	364	88	606
11	054	37	225	63	365	89	612
12	065	38	226	64	371	90	624
13	071	39	243	65	411	91	627
14	072	40	244	66	412	92	631
15	073	41	245	67	413	93	632
16	074	42	246	68	423	94	654
17	114	43	251	69	431	95	662
18	115	44	252	70	432	96	664
19	116	45	255	71	445	97	703
20	122	46	261	72	446	98	712
21	125	47	263	73	452	99	723
22	131	48	265	74	454	100	731
23	132	49	266	75	455	101	732
24	134	50	271	76	462	102	734
25	143	51	274	77	464	103	743
26	145	52	306	78	465	104	754



Group
PRESIDENT
ELECTRONICS USA



HEAD OFFICE/SIÈGE SOCIAL: USA - 1007 Collier Center Way, Naples, Florida 34110
Web: <http://www.president-electronics.us> • Phone: +1 239.302.3100
Email: info@president-electronics.us

PRINTED IN PRC

1739/08-16 V1.02 - M0177

PRESIDENT