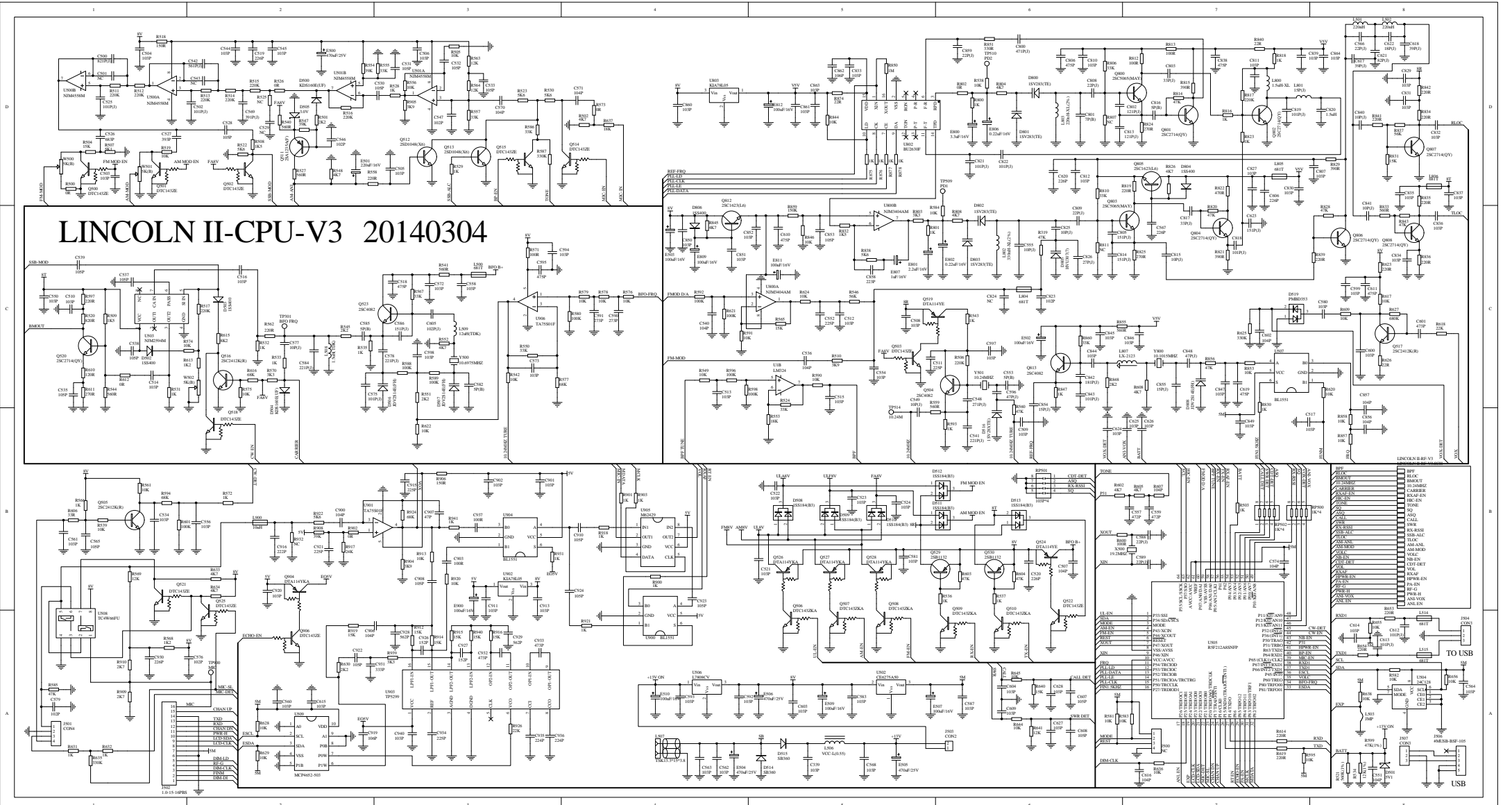
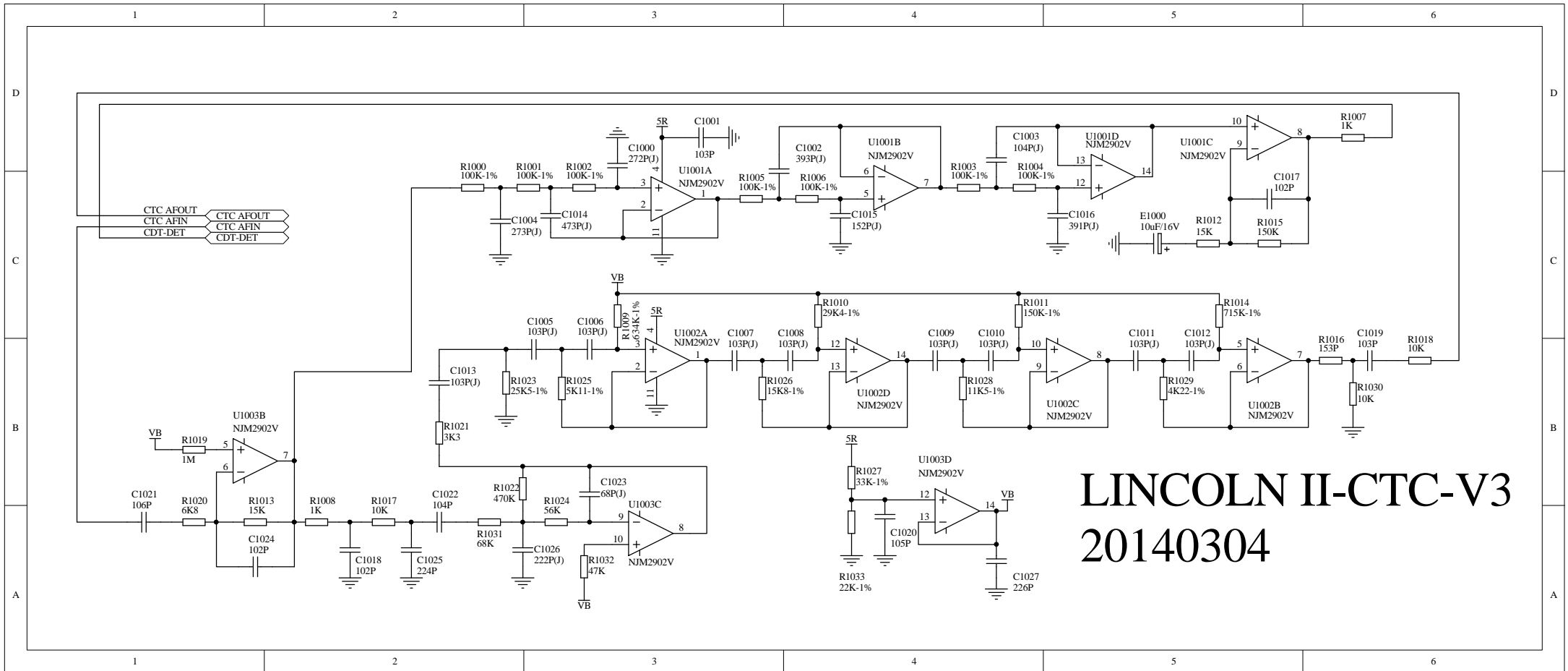


LINCOLN II-RF-V3 20140304

Component	Value	Notes
Q1	2N2714QV	Detector
Q2	2N2714QV	IF Amplifier
Q3	2N2714QV	IF Amplifier
Q4	2N2714QV	IF Amplifier
Q5	2N2714QV	IF Amplifier
Q6	2N2714QV	IF Amplifier
Q7	2N2714QV	IF Amplifier
Q8	2N2714QV	IF Amplifier
Q9	2N2714QV	IF Amplifier
Q10	2N2714QV	IF Amplifier
Q11	2N2714QV	IF Amplifier
Q12	2N2714QV	IF Amplifier
Q13	2N2714QV	IF Amplifier
Q14	2N2714QV	IF Amplifier
Q15	2N2714QV	IF Amplifier
Q16	2N2714QV	IF Amplifier
Q17	2N2714QV	IF Amplifier
Q18	2N2714QV	IF Amplifier
Q19	2N2714QV	IF Amplifier
Q20	2N2714QV	IF Amplifier
Q21	2N2714QV	IF Amplifier
Q22	2N2714QV	IF Amplifier
Q23	2N2714QV	IF Amplifier
Q24	2N2714QV	IF Amplifier
Q25	2N2714QV	IF Amplifier
Q26	2N2714QV	IF Amplifier
Q27	2N2714QV	IF Amplifier
Q28	2N2714QV	IF Amplifier
Q29	2N2714QV	IF Amplifier
Q30	2N2714QV	IF Amplifier
Q31	2N2714QV	IF Amplifier
Q32	2N2714QV	IF Amplifier
Q33	2N2714QV	IF Amplifier
Q34	2N2714QV	IF Amplifier
Q35	2N2714QV	IF Amplifier
Q36	2N2714QV	IF Amplifier
Q37	2N2714QV	IF Amplifier
Q38	2N2714QV	IF Amplifier
Q39	2N2714QV	IF Amplifier
Q40	2N2714QV	IF Amplifier
Q41	2N2714QV	IF Amplifier
Q42	2N2714QV	IF Amplifier
Q43	2N2714QV	IF Amplifier
Q44	2N2714QV	IF Amplifier
Q45	2N2714QV	IF Amplifier
Q46	2N2714QV	IF Amplifier
Q47	2N2714QV	IF Amplifier
Q48	2N2714QV	IF Amplifier
Q49	2N2714QV	IF Amplifier
Q50	2N2714QV	IF Amplifier
Q51	2N2714QV	IF Amplifier
Q52	2N2714QV	IF Amplifier
Q53	2N2714QV	IF Amplifier
Q54	2N2714QV	IF Amplifier
Q55	2N2714QV	IF Amplifier
Q56	2N2714QV	IF Amplifier
Q57	2N2714QV	IF Amplifier
Q58	2N2714QV	IF Amplifier
Q59	2N2714QV	IF Amplifier
Q60	2N2714QV	IF Amplifier
Q61	2N2714QV	IF Amplifier
Q62	2N2714QV	IF Amplifier
Q63	2N2714QV	IF Amplifier
Q64	2N2714QV	IF Amplifier
Q65	2N2714QV	IF Amplifier
Q66	2N2714QV	IF Amplifier
Q67	2N2714QV	IF Amplifier
Q68	2N2714QV	IF Amplifier
Q69	2N2714QV	IF Amplifier
Q70	2N2714QV	IF Amplifier
Q71	2N2714QV	IF Amplifier
Q72	2N2714QV	IF Amplifier
Q73	2N2714QV	IF Amplifier
Q74	2N2714QV	IF Amplifier
Q75	2N2714QV	IF Amplifier
Q76	2N2714QV	IF Amplifier
Q77	2N2714QV	IF Amplifier
Q78	2N2714QV	IF Amplifier
Q79	2N2714QV	IF Amplifier
Q80	2N2714QV	IF Amplifier
Q81	2N2714QV	IF Amplifier
Q82	2N2714QV	IF Amplifier
Q83	2N2714QV	IF Amplifier
Q84	2N2714QV	IF Amplifier
Q85	2N2714QV	IF Amplifier
Q86	2N2714QV	IF Amplifier
Q87	2N2714QV	IF Amplifier
Q88	2N2714QV	IF Amplifier
Q89	2N2714QV	IF Amplifier
Q90	2N2714QV	IF Amplifier
Q91	2N2714QV	IF Amplifier
Q92	2N2714QV	IF Amplifier
Q93	2N2714QV	IF Amplifier
Q94	2N2714QV	IF Amplifier
Q95	2N2714QV	IF Amplifier
Q96	2N2714QV	IF Amplifier
Q97	2N2714QV	IF Amplifier
Q98	2N2714QV	IF Amplifier
Q99	2N2714QV	IF Amplifier
Q100	2N2714QV	IF Amplifier

LINCOLN II-CPU-V3 20140304



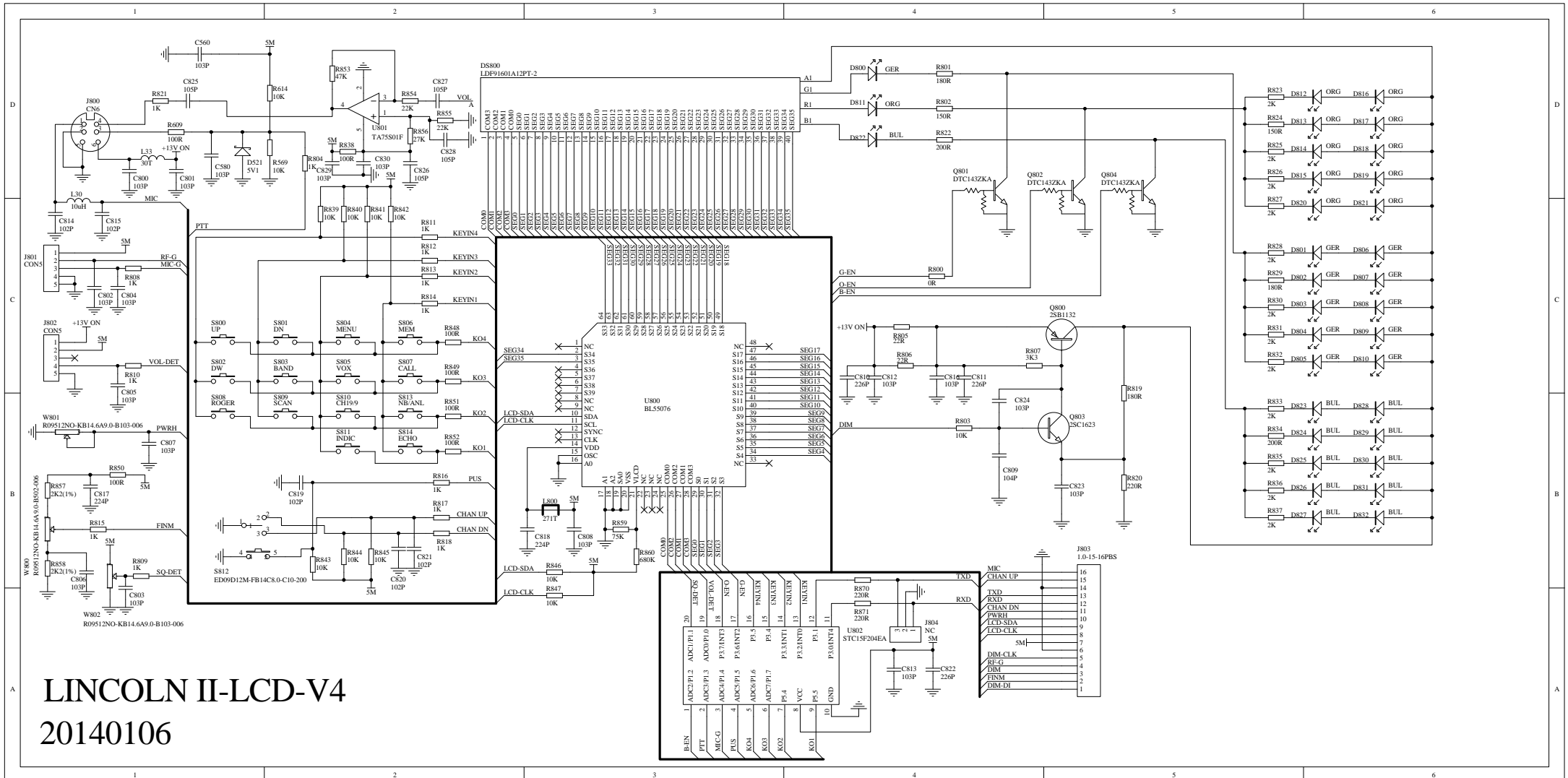


LINCOLN II-CTC-V3

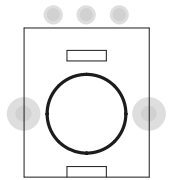
20140304

LINCOLN II-LCD-V4

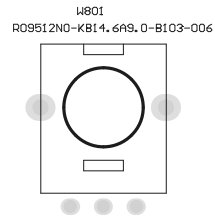
20140106



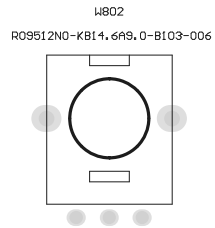
LINCOLN II-LCD-V4



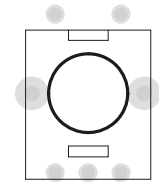
W800
R09512N0-KB14.6A9.0-B502-006



W801
R09512N0-KB14.6A9.0-B103-006

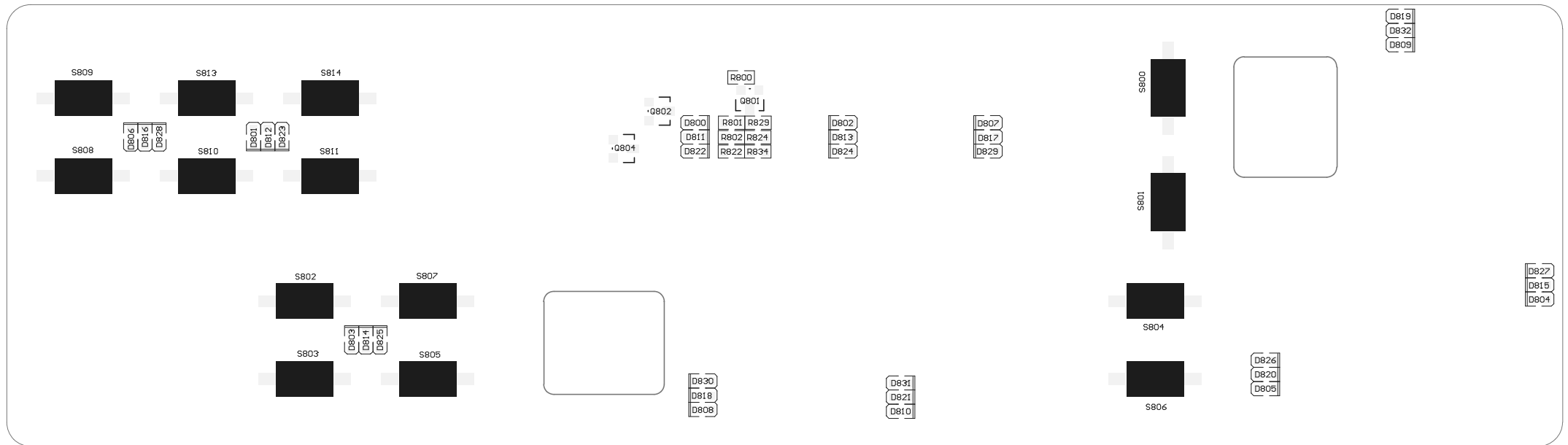


W802
R09512N0-KB14.6A9.0-B103-006

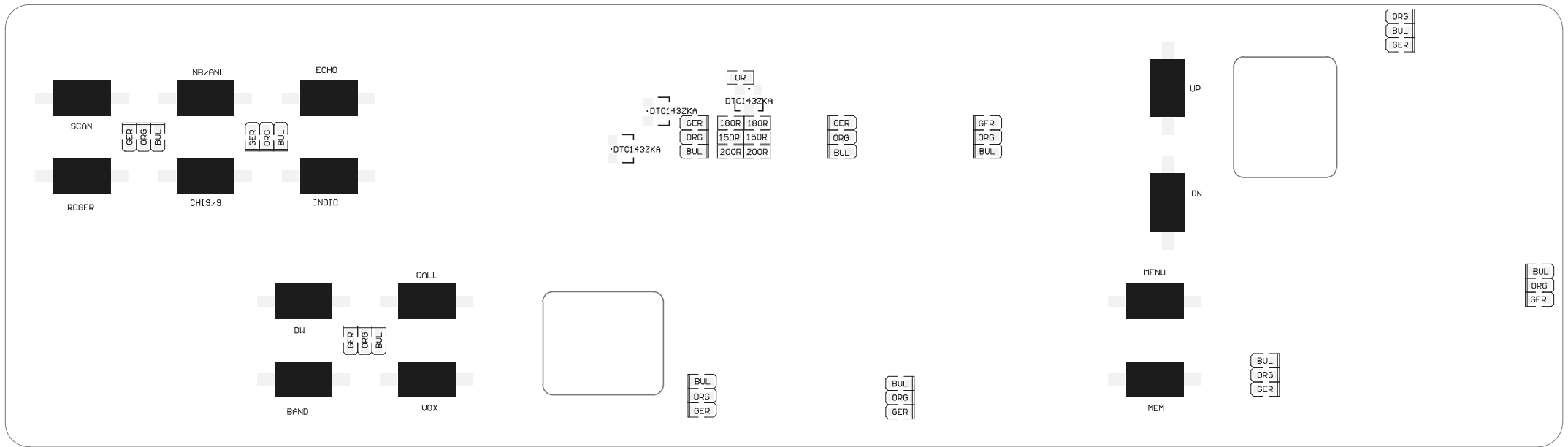


S812
ED09D12M-FB14CB.0-C10-200

LINCOLN II-LCD-V4



LINCOLN II-LCD-V4



LINCOLN II-LCD-V4

R838
R839
C806

R837
R826
R831

R821
R844
R845

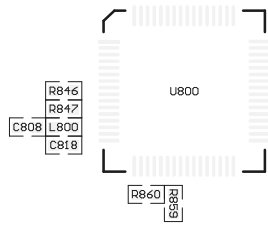
C820
R844

C819



C804
C802

R832
R832
R818
R817



R846
R847
L800
C818
C808

R859
R860

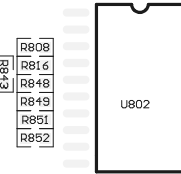
C823
R820
R819
R819
Q808
R807
R803
C824
C803
C809
C811



C807
C822
C801
R805
C810
R806

R808
R816
R848
R849
R851
R852
R843

C813



J804

C850
R839
R816
R812
R813
R814
R870
R614
R804
R871



C805
R810
R809
C803

R835
R830
R825

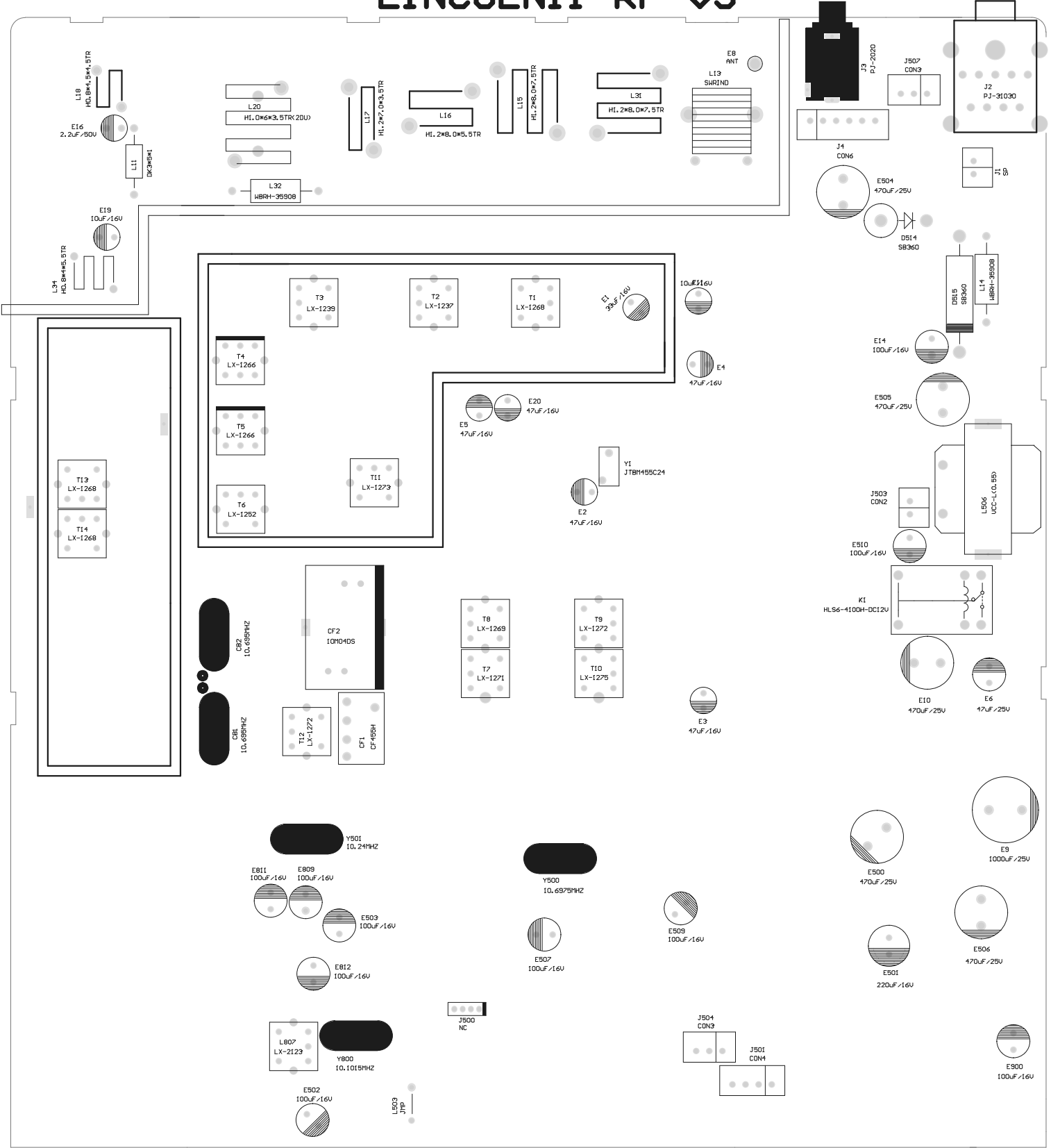
R828
R828
R833

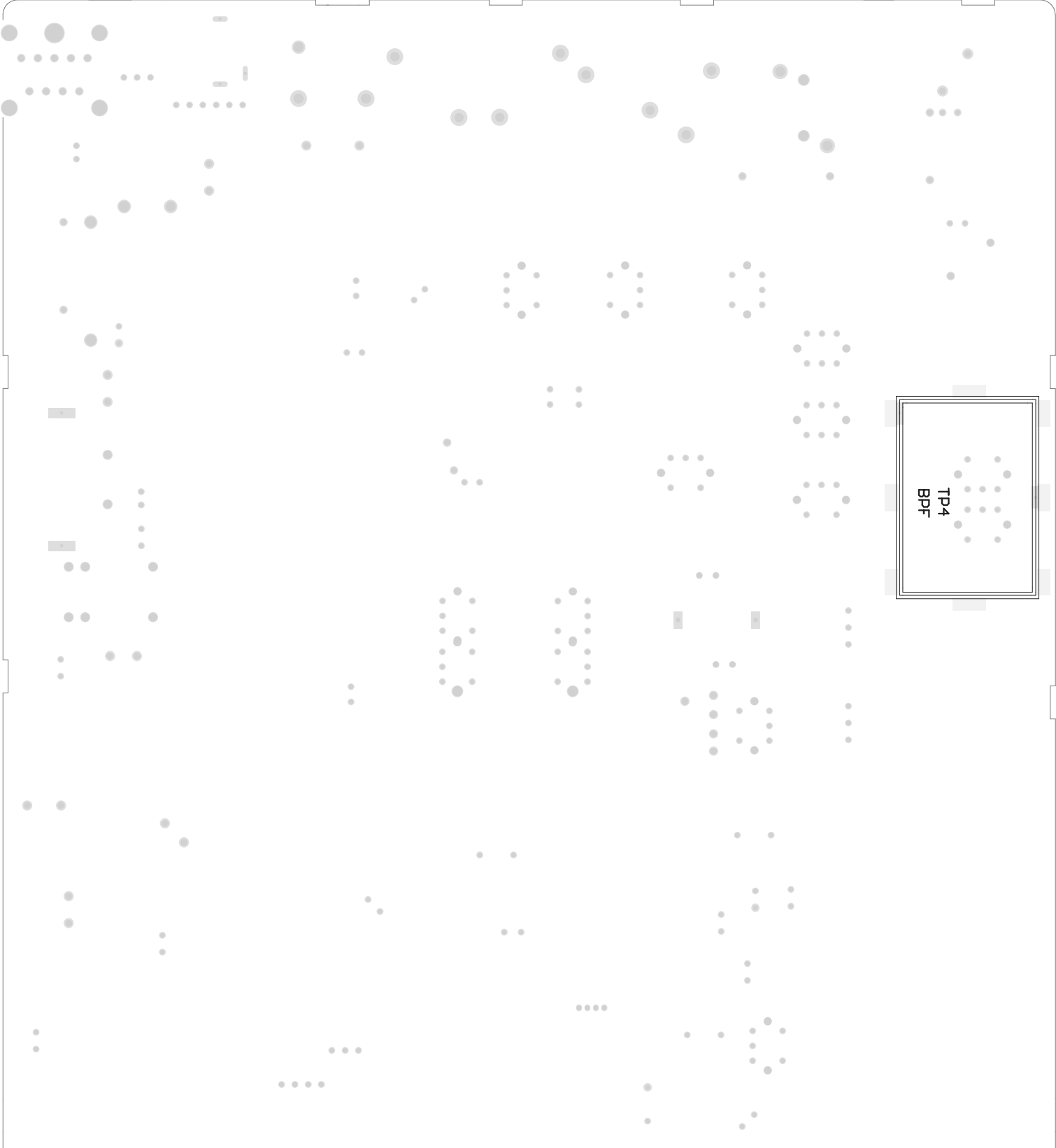
L33
C800
C812

C815
L30
C814

C827
R854
R856
C826
R838
C830
C829
U801
R853
C825
R821
C828
R855
C828
R609
C860
C821
R869

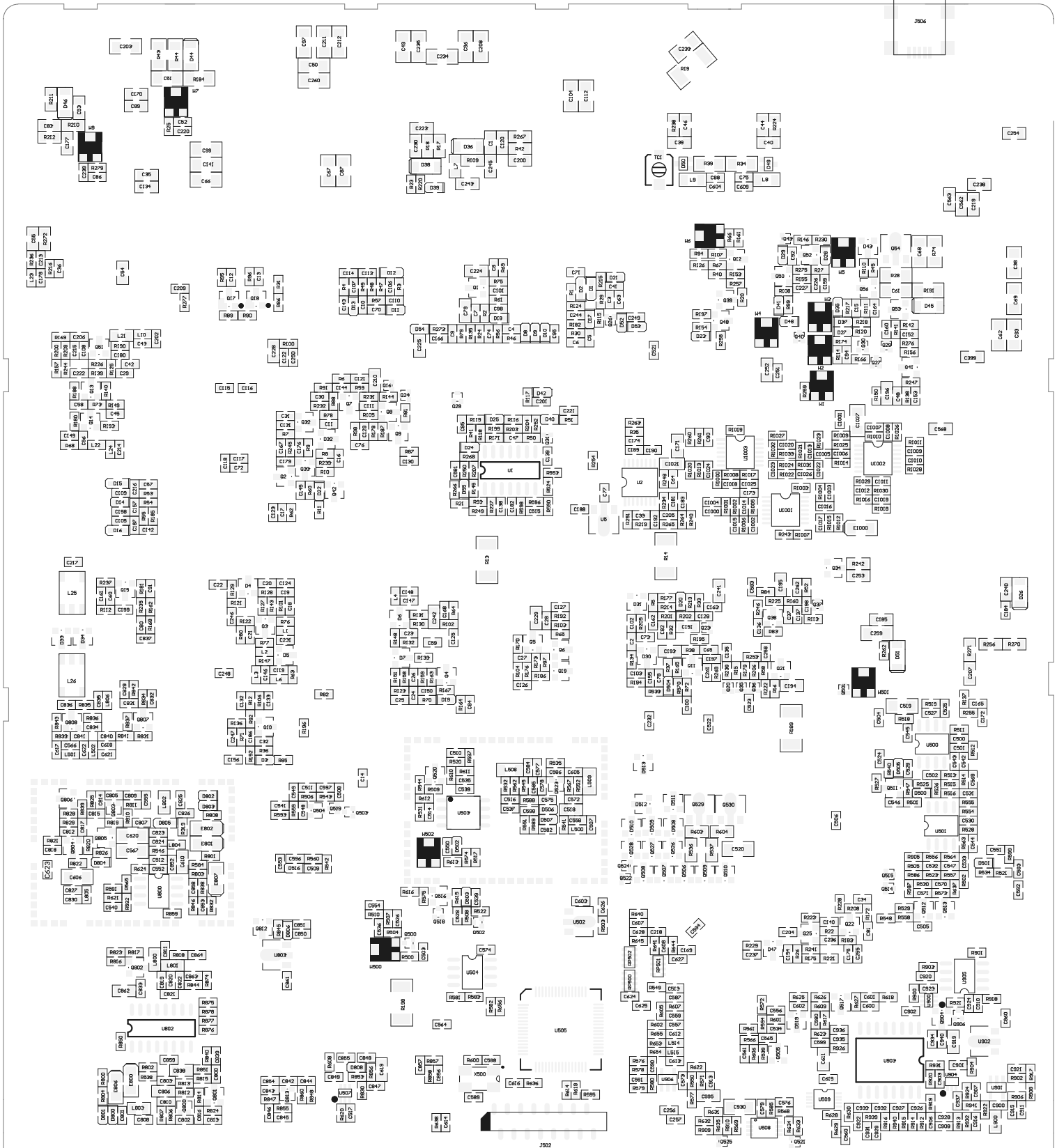
LINCOLNII-RF-V3





TP4
BPF

LINCOLNII-RF-V3



LINCOLN I - RF - V3

