

FIG. & INDEX NO.	PART NO.	DESCRIPTION	UNITS PER ASSY.	USABLE ON CODE		
					1	2
4-34	506-6522-005	. PANEL, Front, welded (Used effective Front Panel . . . . No MOD)	1			
-34	540-9933-005	. PANEL, Mounting (Used effective Front Panel MOD-1) . .	1			
5-	506-7127-005	DRIVE SWITCH (See figure 4-1 for next higher ASSY) . . . . (Used effective Drive Switch No MOD, MOD-1)	REF			
5-	540-9966-002	DRIVE SWITCH (See figure 4-1 for next higher ASSY) . . . . (Used effective Drive Switch MOD-2, MOD-3)	REF			
5-	540-9970-005	. RECEIVER-TRANSMITTER SUBASSEMBLY, Switch . . . . drive (Used effective Drive Switch MOD-2, MOD-3)	1			
-1	506-6618-002	. . CLAMP, To accommodate shaft (Used effective . . . . Drive Switch No MOD, MOD-1)	1			
-2	COML	. . NUT, Square, 4-40 THD, STL, CAD PL Fed Mfr . . . . Code 77250 (334-0485-00)	1			
-3	324-0303-00	. . SCREW, Cap, socket HD, STL, flat FIL H W/ . . . . multiple spline recess, 4-40 THD, 9/16 IN. LG	1			
-4	COML	. . WASHER, Lock, SST, split helical ring, 0.115 ID, . . . . 0.212 OD, 0.025 IN. THK Harper Mfg. Co. (310-0279-00)	1			
-4.1	504-7537-002	. . CLAMP, To accommodate shaft (Used effective . . . . Drive Switch MOD-2)	1			
-4.2	COML	. . NUT, Square, 4-40 THD, STL, CAD PL . . . . . Fed Mfr Code 77250 (334-0485-00)	1			
-4.3	324-0300-00	. . SCREW, Cap, socket HD, flat FIL H, W/ multiple . . . . spline recess, 4-40 THD, 1/2 IN. LG, STL, CAD PL	1			
-4.4	COML	. . WASHER, Lock, RD, 0.125 ID, 0.187 OD, 0.311 IN. . . . THK Fed Mfr Code 78189 (310-3340-00)	1			
-5	540-7420-002	. . COUPLING, Rigid, split hub (Used effective . . . . . Drive Switch MOD-2)	1			
-6	R41-1966	. . RELAY, Armature, 1 make and 1 break CONT . . . . . arrangement Fed Mfr Code 70703 (410-0109-00) (Used effective Drive Switch No MOD)	1			
-6	R41-1139	. . RELAY, Armature, 1L, 32 VDC at 5 AMP Fed Mfr . . . . Code 70703 (410-0074-00) (Used effective Drive Switch MOD-1)	1			
-7	AN500B4R-4	. . SCREW, Machine, cross recessed FH, 4-40 X 1/4 IN. LG, BRS, NI PL (347-0090-00)	1			
-8	COML	. . WASHER, Lock, 0.125 ID, 0.187 OD, 0.031 IN. THK, . . . . SST Fed Mfr Code 78189 (310-3340-00)	1			
-9	MS35214-10	. . SCREW, Machine, cross recessed pan HD, 4-40 X . . . . 1/8 IN. LG, BRS, NI PL (343-0283-00)	4			
-10	AN936B4	. . WASHER, Lock, 0.123 ID, 0.255 OD, 0.016 IN. THK, . . . . SST (373-8010-00)	4			
-11	NE-2	. . LAMP, Glow, 1/25 W Fed Mfr Code 89456 . . . . . (262-0025-00)	1			
-12	503-5079-002	. . PAWL, For autopositioner (Used effective Drive . . . . Switch No MOD, MOD-1, MOD-2)	1			

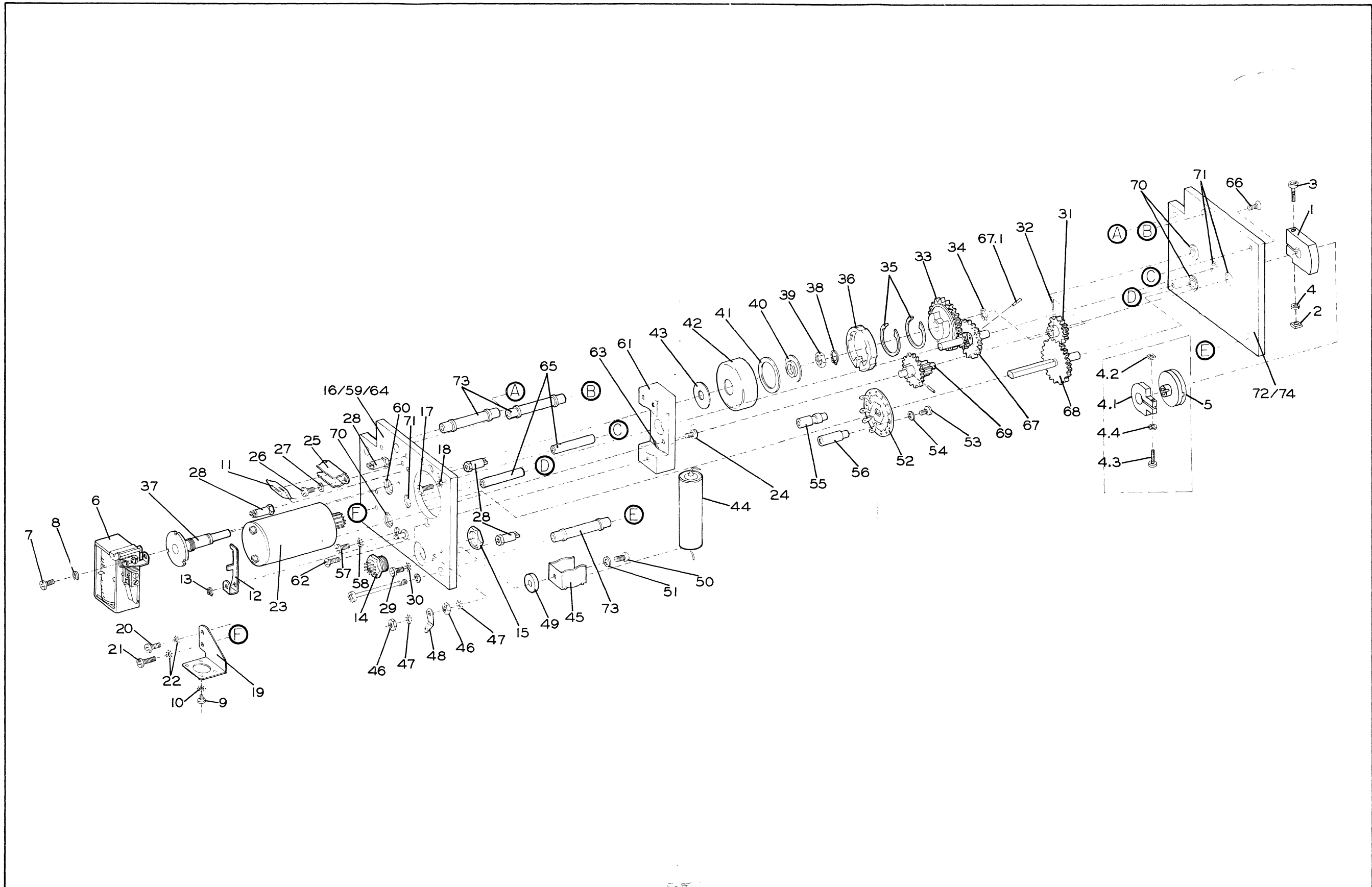


Figure 5. Drive Switch (No MOD, Mod-1 Thru Mod-3)

FIG. & INDEX NO.	PART NO.	DESCRIPTION							UNITS PER ASSY.	USABLE ON CODE
		1	2	3	4	5	6	7		
5-63	309-0370-00	.	.	.	.	.	.	BEARING, Ball, double shielded, plain . . . . . finish	1	
-64	506-7125-004	.	.	.	.	.	.	PLATE, Front . . . . .	1	
-65	506-7112-002	.	.	.	.	.	.	POST, Supporting . . . . . (ATTACHING PARTS)	2	
-66	MS35198-13	.	.	.	.	.	.	SCREW, Machine, cross recessed FH, 4-40 X 5/16 IN. LG, BRS, NI PL (342-0153-00) -----*-----	2	
-67	506-7116-002	.	.	.	.	.	.	GEAR, Spur, 95 teeth . . . . .	1	
-67.1	COML	.	.	.	.	.	.	PIN, Groove, headless, SST Fed Mfr Code 91738 . . . . . (311-1122-30)	1	
-68	540-7426-002	.	.	.	.	.	.	GEAR, Spur, 64 teeth . . . . .	1	
-69	506-7119-002	.	.	.	.	.	.	GEAR, Spur, 95 teeth . . . . .	1	
-70	309-0002-00	.	.	.	.	.	.	BEARING, Ball, double shielded, plain finish . . . . .	3	
-71	309-0370-00	.	.	.	.	.	.	BEARING, Ball, double shielded, plain finish . . . . .	3	
-72	506-7123-003	.	.	.	.	.	.	PLATE, Rear bearing, switch . . . . .	1	
-73	506-7104-002	.	.	.	.	.	.	POST, Spacing . . . . .	3	
-74	506-7122-003	.	.	.	.	.	.	PLATE, Rear bearing, switch . . . . .	1	
6-	506-6624-005	.	.	.	.	.	.	DRIVE ASSY, Tuning (See figure 4-2 for next higher ASSY) (Used effective Tuning Drive No MOD)	REF	
6-	540-9965-002	.	.	.	.	.	.	DRIVE ASSY, Tuning (See figure 4-2 for next higher ASSY) (Used effective Tuning Drive MOD-1)	REF	
6-	540-9969-005	.	.	.	.	.	.	DRIVE, Tuning, wired (Used effective Tuning Drive MOD-1)	1	
-1	506-6618-002	.	.	.	.	.	.	CLAMP, To accommodate shaft (Used effective Tuning Drive No MOD) (ATTACHING PARTS)	1	
-2	COML	.	.	.	.	.	.	NUT, Square, 4-40, STL, CAD PL Fed Mfr Code 77250 (334-0485-00)	1	
-3	324-0303-00	.	.	.	.	.	.	SCREW, Cap, socket HD, STL, FIL H, W/ multiple spline recess, 4-40 X 9/16 IN. LG	1	
-4	COML	.	.	.	.	.	.	WASHER, Lock, SST, split helical ring, 0.115 ID, 0.212 OD, 0.025 IN. THK Harper Mfg. Co. (310-0279-00) -----*-----	1	
-4.1	504-7537-002	.	.	.	.	.	.	CLAMP, To accommodate shaft (Used effective Tuning Drive MOD-1) (ATTACHING PARTS)	1	
-4.2	COML	.	.	.	.	.	.	NUT, Square, 4-40 THD, STL, CAD PL Fed Mfr Code 77250 (334-0485-00)	1	
-4.3	324-0300-00	.	.	.	.	.	.	SCREW, Cap, socket HD, flat FIL H W/ multiple spline recess, 4-40 THD, 1/2 IN. LG, STL, CAD PL	1	
-4.4	COML	.	.	.	.	.	.	WASHER, Lock, RD, 0.125 ID, 0.187 OD, 0.311 IN. THK Fed Mfr Code 78189 (310-3340-00) -----*-----	1	
-5	540-7420-002	.	.	.	.	.	.	COUPLING, Rigid, split hub (Used effective Tuning Drive MOD-1)	1	
-6	506-6621-003	.	.	.	.	.	.	PLATE, Bearing, rear (ATTACHING PARTS)	1	
-7	MS35198-14	.	.	.	.	.	.	SCREW, Machine, cross recessed FH, 4-40 X 3/8 IN. LG, BRS, NI PL (342-0154-00)	2	
-7.1	506-6612-002	.	.	.	.	.	.	POST, Spacing, AL, chromate dipped . . . . .	3	

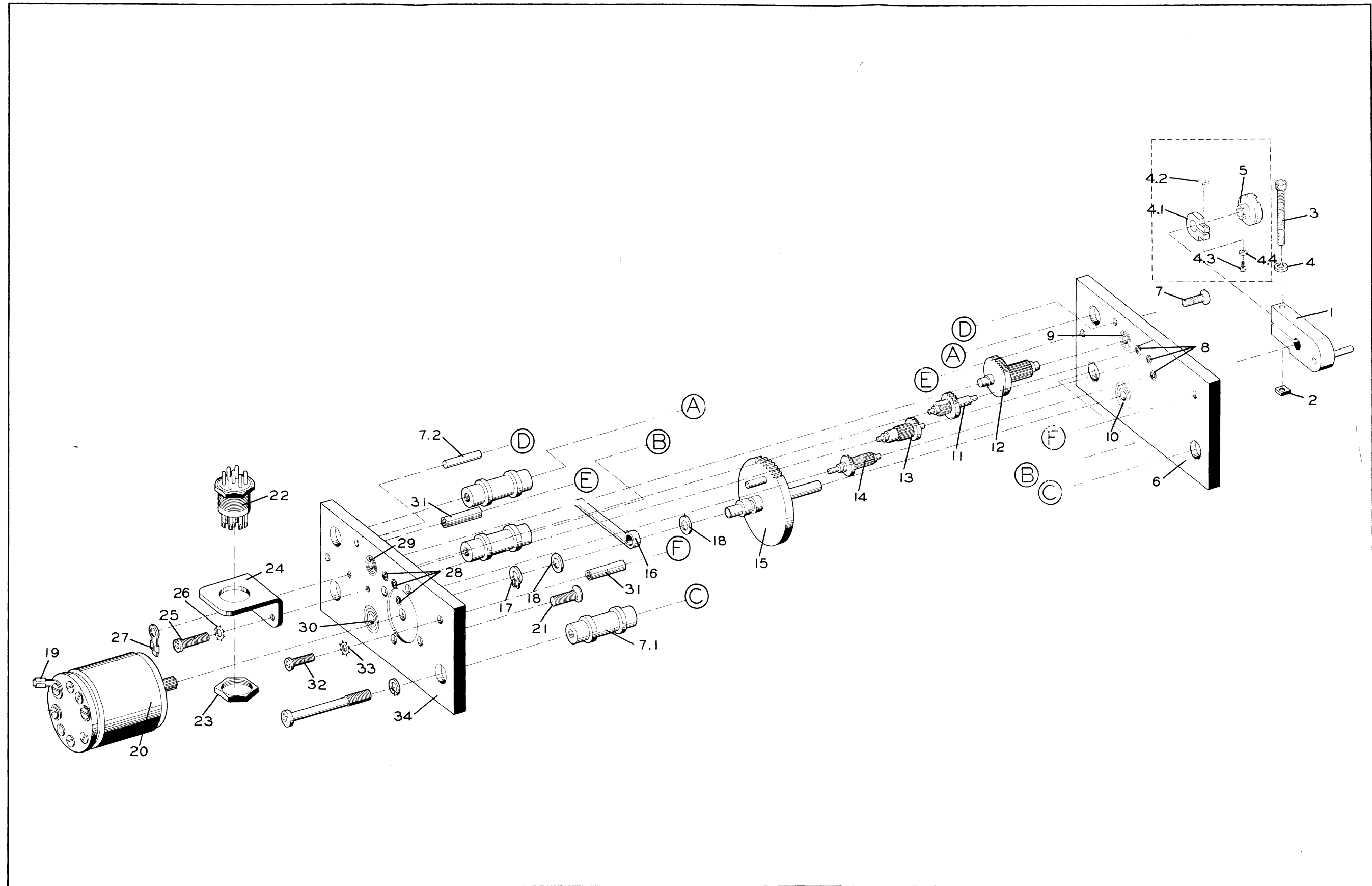


Figure 6. Tuning Drive Assembly (No Mod, Mod-1)

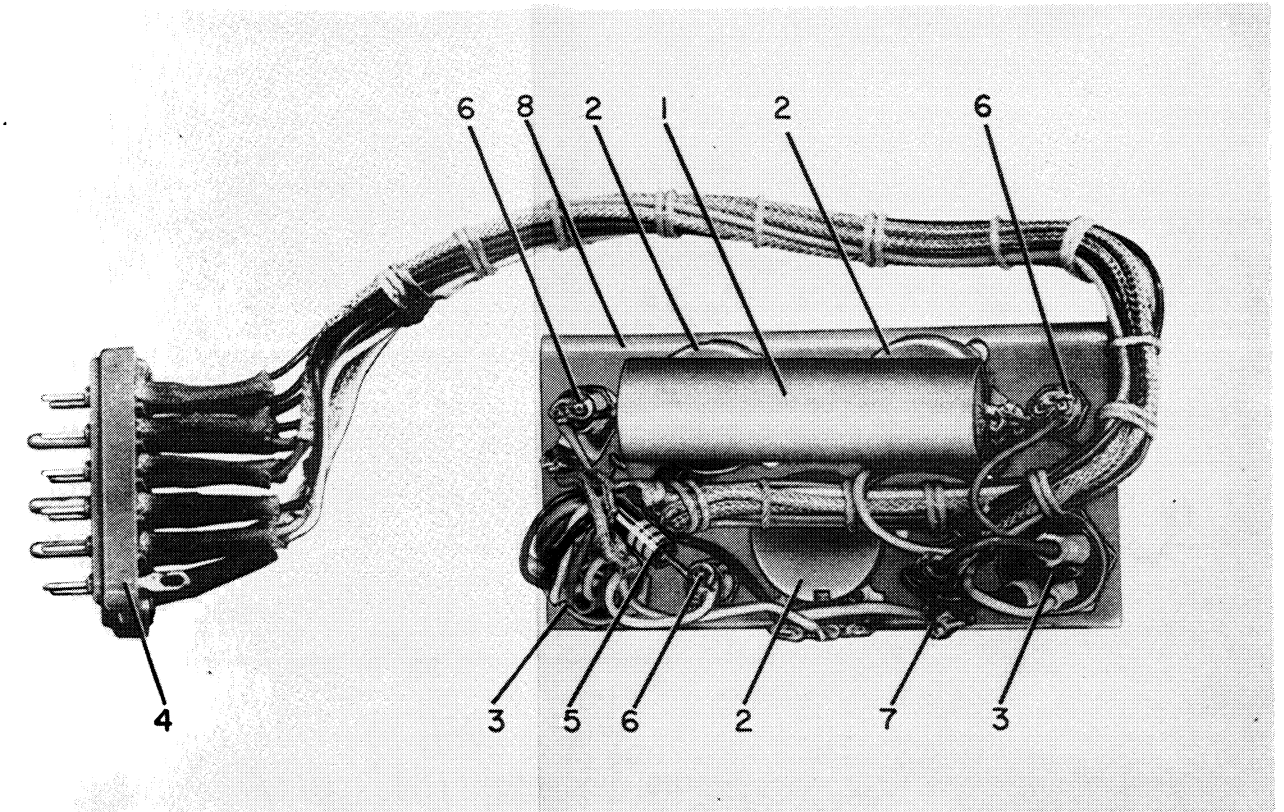


Figure 9. Sidetone Control

FIG. & INDEX NO.	PART NO.	DESCRIPTION	UNITS PER ASSY.	USABLE ON CODE		
					1	2
9-	AN936B4	. WASHER, Lock, 0.123 ID, 0.255 OD, 0.016 IN. THK, . . . . . SST (373-8010-00)	5			
	2104-4	. TERMINAL, Lug, PH BRZ . . . . . Fed Mfr Code 78189 (304-6910-00)	1			
	AN340B4	. NUT, HEX, 4-40 THD, BRS, NI PL. . . . . (313-0051-00)	1			
		-----*-----				
-7	2104-4	. TERMINAL, Lug, PH BRZ Fed Mfr Code 78189 . . . . . (304-6910-00)	1			
		(ATTACHING PARTS)				
	AN340B4	. NUT, HEX, 4-40 THD, BRS, NI PL (313-0051-00) . . . . .	1			
	AN936B4	. WASHER, Lock, 0.123 ID, 0.255 OD, 0.016 IN. THK . . . . . SST (373-8010-00)	1			
	MS35214-12	. SCREW, Machine, cross recessed pan HD, 4-40 X . . . . . 1/4 IN. LG, BRS, NI PL (343-0285-00)	1			
		-----*-----				
-8	506-6514-003	. PLATE, Connector . . . . .	1			

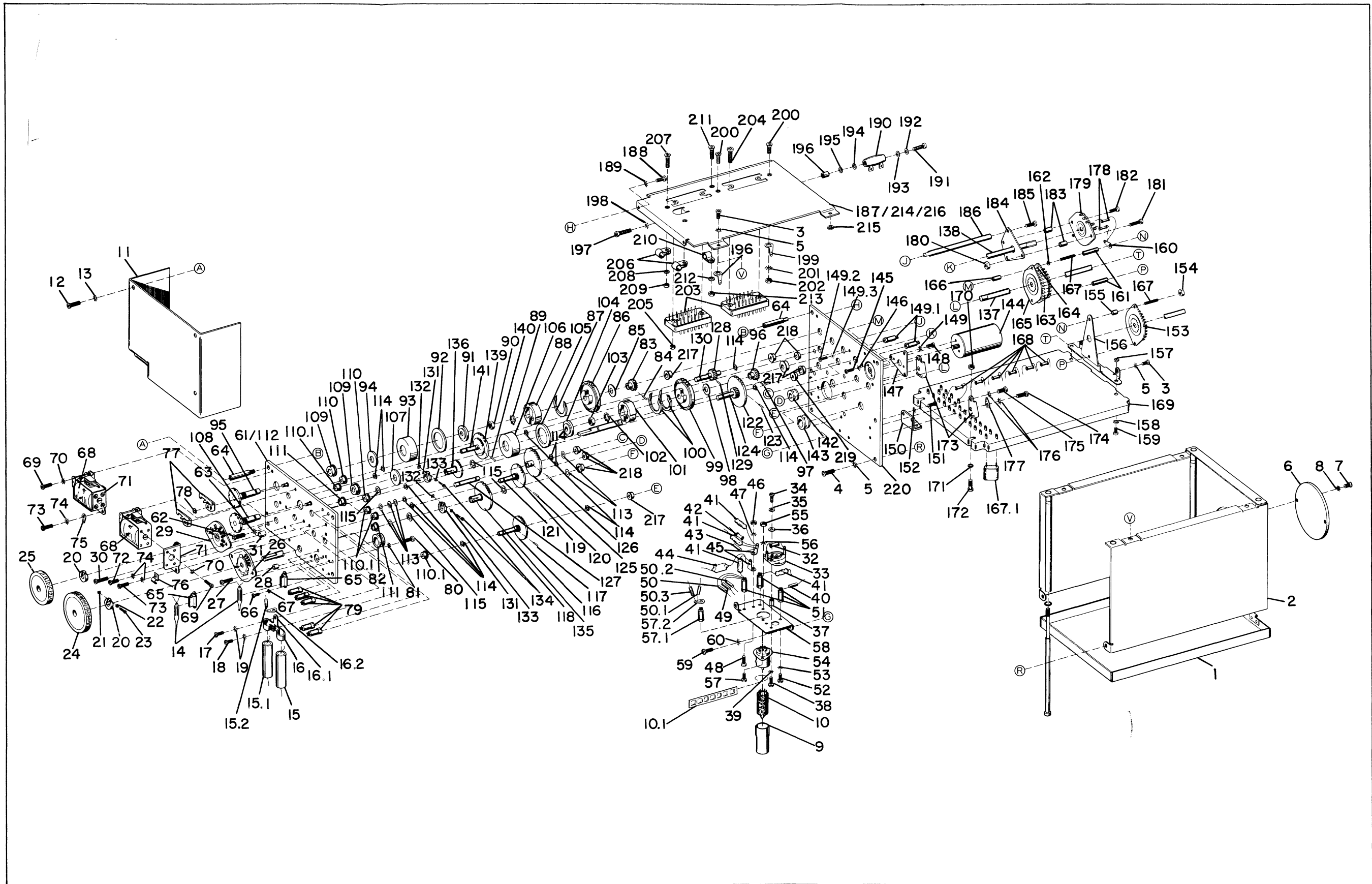


Figure 10. Crystal Oscillator (No Mod, Mod-1 thru Mod-6)

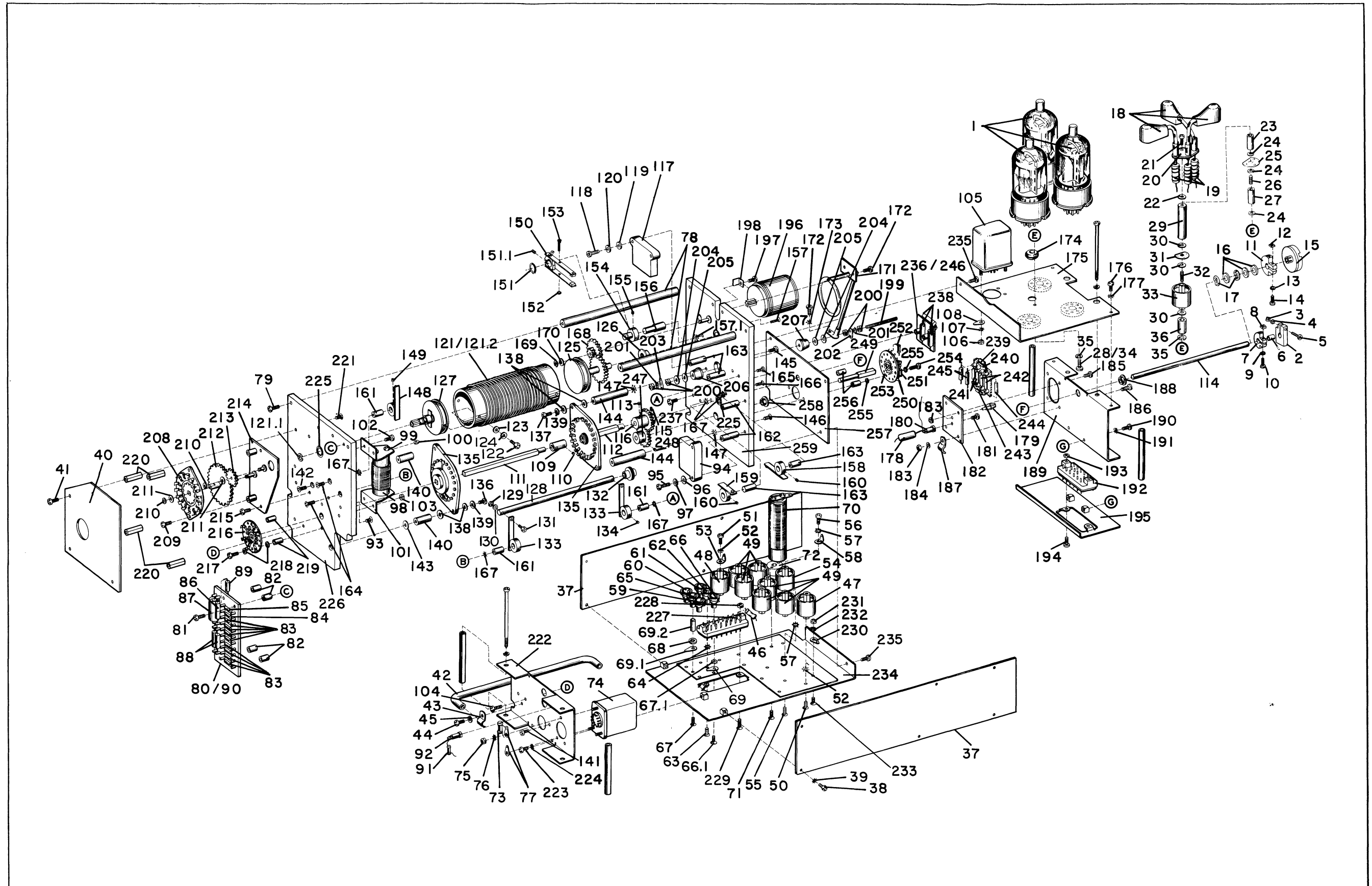


Figure 17. RF Amplifier (No Mod, Mod-1 thru Mod-6)

FIG. & INDEX NO.	PART NO.	DESCRIPTION	UNITS PER ASSY.	USABLE ON CODE		
					1	2
17-		(ATTACHING PARTS)				
-8	COML	. NUT, Square, 4-40, STL, CAD PL Fed Mfr Code . . . . . 77250 (334-0485-00)	1			
-9	COML	. WASHER, Lock, 0.125 ID, 0.187 OD, 0.312 IN. THK, . . . SST Fed Mfr Code 78189 (310-3340-00)	1			
-10	324-0300-00	. SCREW, Cap, socket HD, FIL H W/multiple spline . . . recess, 4-40 THD, 1/2 IN. LG, STL, CAD PL	1			
-11	540-9956-002	. CLAMP, Shaft (Used effective RF Amplifier MOD-3 . . . thru MOD-6)	1			
-12	COML	(ATTACHING PARTS) . NUT, Square, 4-40, STL, CAD PL Fed Mfr Code . . . . . 77250 (334-0485-00)	1			
-13	COML	. WASHER, Lock, 0.125 ID, 0.187 OD, 0.312 IN. THK, . . . SST Fed Mfr Code 78189 (310-3340-00)	1			
-14	324-0300-00	. SCREW, Cap, socket HD, FIL H W/ multiple spline . . . recess, 4-40 THD, 1/2 IN. LG, STL, CAD PL	1			
-15	540-7420-002	. COUPLING, Rigid, split hub (Used effective RF . . . . . Amplifier MOD-3 thru MOD-6)	1			
-16	COML	. WASHER, Flat, SIL PL BRS, 0.038 IN. THK, 0.203 ID, . . . 0.437 OD Fed Mfr Code 79807 (310-0059-00)	3			
-17	COML	. WASHER, Curved, 0.203 ID, 3/8 OD, 0.012 IN. THK, . . . STL, CAD PL Fed Mfr Code 79807 (310-0148-00)	2			
-18	SPP-3	. CLIP, Electrical, BRS, 9/16 X 5/8 X 1-1/8 IN. . . . . Fed Mfr Code 42498 (301-1002-00)	3			
-19	506-7393-002	. SUPPRESSOR, Parasitic, one 33 ohms, 1 W resistor . . .	3			
-20	506-7404-002	. BOARD, Terminal, general purpose . . . . .	1			
-21	MS35214-27	(ATTACHING PARTS) . SCREW, Machine, cross recessed pan HD, 6-32 X 1/2 . . . IN. LG, BRS, NI PL (343-0332-00)	1			
-22	COML	. WASHER, Nonmetallic, corprene, 0.032 IN. THK, . . . . . 0.147 ID, 0.375 OD Fed Mfr Code 79807 (302-0026-00)	1			
-23	NS4W0112	. INSULATOR, Standoff (190-0014-00) (Used effective . . . RF Amplifier No MOD, MOD-1, MOD-2)	1			
-24	COML	(ATTACHING PARTS) . WASHER, Nonmetallic, corprene, 0.032 IN. THK, . . . . . 0.147 ID, 0.375 OD Fed Mfr Code 79807 (302-0026-00)	3			
-25	506-7405-002	. WASHER, Flat, 0.147 ID, 0.750 OD, 0.031 IN. THK, BRS . .	1			
-26	COML	. STUD, Continuous thread, CAD PL BRS, 6-32 X 3/4 IN. . . LG Fed Mfr Code 77250 (312-3080-00)	1			
-27	NS4W0106	. INSULATOR, Standoff (190-0011-00) . . .	1			
-28	MS35216-24	. SCREW, Machine, cross recessed pan HD, 6-32 X . . . 5/16 IN. LG (343-0168-00)	1			
-29	540-9225-003	. STANDOFF, AL, 1.250 IN. LG, tapped 6-32 . . . . . (Used effective RF Amplifier MOD-3 thru MOD-6)	1			
-30	COML	(ATTACHING PARTS) . WASHER, Nonmetallic, corprene, 0.032 IN. THK, 0.147 ID, . . 0.375 OD Fed Mfr Code 79807 (302-0026-00)	3			
-31	506-7405-002	. WASHER, Flat, 0.147 ID, 0.750 OD, 0.031 IN. THK, BRS . .	1			
-32	COML	. STUD, Continuous thread, CAD PL BRS, 6-32 X 1/2 . . . IN. LG Fed Mfr Code 77250 (312-3050-00)	1			



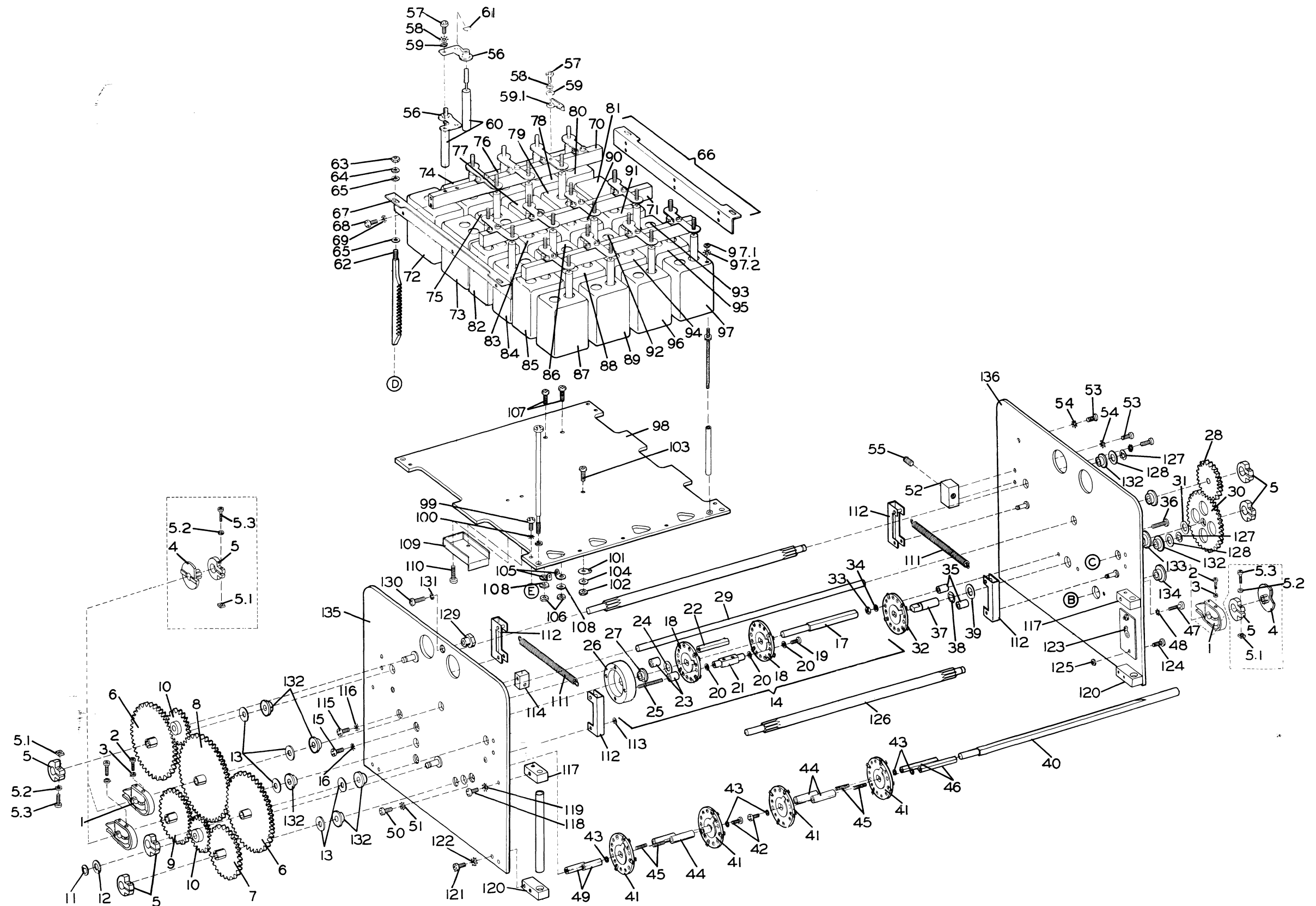


Figure 29. RF Tuner Coils and Switches  
(No Mod, Mod-1 thru Mod-10)

FIG. & INDEX NO.	PART NO.	DESCRIPTION	UNITS PER ASSY.	USABLE ON CODE
29-	NO NUMBER	RF TUNER COILS AND SWITCHES (See figure 24-6 . . . . for next higher ASSY) (Effective RF tuner No. MOD, MOD-1 thru MOD-10)	REF	
-1	506-6928-002	. COUPLING, COP (Used effective RF Tuner No MOD, . . . MOD-1, MOD-2, MOD-3, MOD-4, MOD-5, MOD-6) (ATTACHING PARTS)	3	
-2	324-0300-00	. SCREW, Cap, socket HD, FIL H W/ multiple spline . . . . recess, 4-40 X 1/2 IN. LG, STL, CAD PL Fed Mfr Code 77250 (324-0300-00)	3	
-3	COML	. WASHER, Lock, 0.125 ID, 0.187 OD, 0.312 IN. THK, . . . SST Fed Mfr Code 78189 (310-3340-00)	3	
-4	540-7421-003	. COUPLING HALF, Shaft, STL (Used effective RF Tuner . . . MOD-7 thru MOD-10)	3	
-5	504-7537-002	. CLAMP, Loop, AL . . . . .	8	
-5.1	COML	. NUT, SQ, 4-40, STL, CAD PL Fed Mfr Code 77250 . . . . (334-0485-00)	8	
-5.2	COML	. WASHER, Lock, 0.125 ID, 0.187 OD, 0.312 IN. THK, . . . SST Fed Mfr Code 78189 (310-3340-00)	8	
-5.3	COML	. SCREW, Cap, socket HD, FIL H W/ multiple spline . . . . recess, 4-40 X 1/2 IN. LG, STL, CAD PL Fed Mfr Code 77250 (324-0300-00)	8	
-6	506-6958-002	. GEAR, Spur, 114 teeth . . . . .	2	
-7	506-6961-002	. GEAR, Spur, 84 teeth . . . . .	1	
-8	506-6957-002	. GEAR, Spur, 123 teeth . . . . .	1	
-9	506-6960-002	. GEAR, Spur, 84 teeth . . . . .	1	
-10	540-5414-002	. GEAR, Spur, 45 teeth . . . . . (ATTACHING PARTS)	2	
-11	5133-18-S	. RING, Retainer, STL Fed Mfr Code 79136 . . . . . (340-0090-00)	2	
-12	506-5910-003	. WASHER, Flat, 0.197 ID, 0.375 OD, 0.015 IN. THK, SST . OR	2	
	506-5911-003	. WASHER, Flat, 0.197 ID, 0.375 OD, 0.015 IN. THK, SST . -----*	2	
-13	506-5910-003	. WASHER, Flat, 0.197 ID, 0.375 OD, 0.015 IN. THK, SST .	5	
-14	506-6984-003	. SWITCH ASSY, Tuner . . . . . (ATTACHING PARTS)	1	
-15	MS35214-13	. SCREW, Machine, cross recessed pan HD, 4-40 X . . . . 5/16 IN. LG, BRS (343-0286-00)	2	
-16	AN936B4	. WASHER, Lock, 0.123 ID, 0.255 OD, 0.016 IN. THK, . . . SST (373-8010-00)	2	
-17	506-6954-002	. . . SHAFT, Switch . . . . .	1	
-18	57420-FX	. . . SWITCH SECTION, Rotary, 12 positions Fed . . . . Mfr Code 76854 (269-1623-00) (ATTACHING PARTS)	2	
-19	AN500B4R-5	. . . SCREW, Machine, cross recessed FIL H, 4-40 X . . . . 5/16 IN. LG, BRS (347-0091-00)	2	
-20	8942	. . . WASHER, Flat, 0.116 ID, 0.187 OD, 0.031 IN. THK . . . phenolic Fed Mfr Code 76854 (302-0262-00)	6	
-21	540-1886-002	. . . POST, Supporting . . . . .	1	
-22	500-6224-001	. . . POST, Spacing . . . . .	1	
-23	506-6967-002	. . . COLLAR, Spacing . . . . .	2	
-24	506-5910-003	. . . WASHER, Flat, 0.197 ID, 0.375 OD, 0.015 IN. . . . THK, SST	1	
	506-5911-003	. . . WASHER, Flat, 0.197 ID, 0.375 OD, 0.015 IN. . . . THK SST	1	

FIG. & INDEX NO.	PART NO.	DESCRIPTION							UNITS PER ASSY.	USABLE ON CODE
		1	2	3	4	5	6	7		
		(ATTACHING PARTS)								
	MS35216-23	.	SCREW, Machine, cross recessed pan HD, 6-32 X 1/4 IN. LG, SST (343-0167-00)	.					2	
	AN936B6	.	WASHER, Lock, 0.150 ID, 0.317 OD, 0.020 IN. THK, SST (373-8020-00)	.					2	
		-----*-----								
-18	500-2749-001	.	POST, Spacing . . . . .	.					4	
		(ATTACHING PARTS)								
	MS35216-23	.	SCREW, Machine, cross recessed pan HD, 6-32 X 1/4 IN. LG, SST (343-0167-00)	.					4	
	AN936B6	.	WASHER, Lock, 0.150 ID, 0.317 OD, 0.020 IN. THK, SST (373-8020-00)	.					4	
		-----*-----								
-19	506-7518-003	.	PLATE, Filter face . . . . .	.					1	F
-19	540-4079-004	.	PLATE, Filter face . . . . .	.					1	G
		(ATTACHING PARTS)								
	MS35200-13	.	SCREW, Machine, cross recessed FH, 4-40 X 5/16 IN. LG, SST (342-0045-00)	.					6	F
	MS35200-13	.	SCREW, Machine, cross recessed FH, 4-40 X 5/16 IN. LG, SST (342-0045-00)	.					8	G
	MS35200-12	.	SCREW, Machine, cross recessed FH, 4-40 X 5/16 IN. LG, SST (342-0044-00)	.					2	G
		-----*-----								
-20	506-4288-003	.	BOX, Filter . . . . .	.					1	
60-	522-0147-005		RADIO SET CONTROL 614C-2 (See figure 1-3 for next higher ASSY)						REF	
-1	506-7763-002	.	KNOB, Sens . . . . .	.					1	
-2	COML	.	SETSCREW, Multiple spline drive, 6-40 X 1/8 IN. LG, SST Fed Mfr Code 08664 (328-0019-00)	.					2	
		-----*-----								
-3	540-2750-003	.	PLATE, Dial . . . . .	.					1	
		(ATTACHING PARTS)								
-4	COML	.	SCREW, Machine, cross recessed pan HD, 2-56 X 7/8 IN. LG, SST Fed Mfr Code 77250 (343-0684-00)	.					4	
-5	AN936A2	.	WASHER, Lock, 0.095 ID, 0.185 OD, 0.012 IN. THK, SST (373-8500-00)	.					4	
		-----*-----								
-6	506-7760-002	.	PEDESTAL, Control, AL . . . . .	.					2	
-7	506-9934-002	.	DIAL, Fine, frequency . . . . .	.					1	
		(ATTACHING PARTS)								
-8	COML	.	SETSCREW, Multiple spline drive, 6-40 X 1/8 IN. LG, SST Fed Mfr Code 08664 (328-0019-00)	.					2	
		-----*-----								
-9	506-9927-002	.	DIAL, Scale . . . . .	.					1	
		(ATTACHING PARTS)								
-10	MS35200-2	.	SCREW, Machine, cross recessed FH, 2-56 X 3/16 IN. LG (342-0132-00)	.					3	
		-----*-----								
-11	506-7762-002	.	KNOB, Set screw type . . . . .	.					1	
-12	506-8803-003	.	DIAL, Control, knob type . . . . .	.					1	

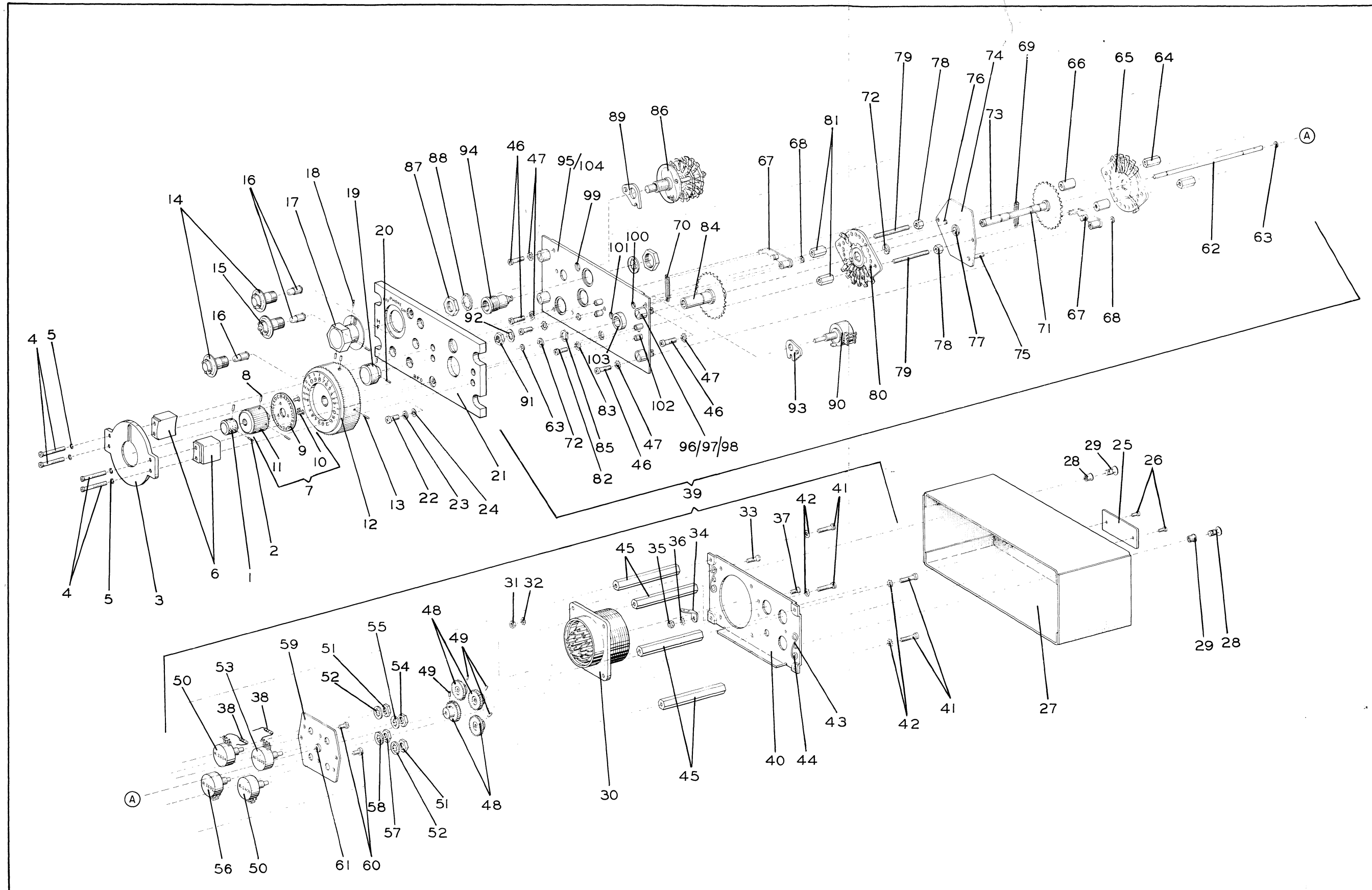


Figure 60. Radio Set Control 614C-2