



SERVICE MANUAL ADDENDUM

IC-F43GT/GS IC-F44GT/GS

CONTENTS

PARTS LIST 1
 BOARD LAYOUTS 7
 VOLTAGE DIAGRAM 9

| MODEL | VERSION | VERSION ABBREVIATION | FREQUENCY RANGE | CHANNEL SPACING |
|-----------------------|---------|----------------------|-----------------|--------------------|
| IC-F43GT (Ten-key) | MTG-01 | [2] | 400-470 MHz | 12.5/25.0 kHz |
| | USA-01 | [4] | | |
| | USA-02 | [5] | 450-512 MHz | |
| | USA-03 | [9] | 380-430 MHz | |
| | USA-04 | [12] | 400-470 MHz | |
| | GEN-01 | [6] | | |
| | GEN-02 | [7] | 450-520 MHz | |
| | AUS-02 | [10] | | |
| | CHN-01 | [11] | 400-470 MHz | |
| CHN-02 | [1] | | | |
| IC-F44GT (Ten-key) | SEA-01 | [13] | 400-470 MHz | 12.5/25.0 kHz |
| | MTE-01 | [3] | | 12.5/20.0/25.0 kHz |
| | EUR-01 | [8] | | |
| IC-F43GS (4-key) | MTG-01 | [15] | 400-470 MHz | 12.5/25.0 kHz |
| | USA-01 | [18] | | |
| | USA-02 | [19] | 450-512 MHz | |
| | USA-03 | [23] | 380-430 MHz | |
| | USA-04 | [25] | 400-470 MHz | |
| | GEN-01 | [20] | | |
| | GEN-02 | [21] | 450-520 MHz | |
| | AUS-02 | [24] | | |
| | MTG-02 | [16] | 400-470 MHz | |
| | CHN-01 | [26] | | |
| | CHN-02 | [14] | | |
| IC-F44GS (4-key) | MTE-01 | [17] | 400-470 MHz | 12.5/25.0 kHz |
| | EUR-01 | [22] | | 12.5/20.0/25.0 kHz |

PARTS LIST

[MAIN UNIT]

| REF NO. | PARTS NO. | DESCRIPTION | M. | H/V LOCATION |
|---------|------------|----------------------------|----|--------------|
| IC6 | 1110006350 | S.IC LM2902PWR | B | 55.4/23.8 |
| IC8 | 1110005771 | S.IC S-80942CNMC-G9CT2G | B | 20.8/41.5 |
| IC9 | 1110003201 | S.IC TA31136FNG (EL) | T | 81.5/17 |
| IC10 | 1130011581 | S.IC 24LC64T-1/SN G | B | 29.7/13.2 |
| IC12 | 1190001350 | S.IC M62364FP 600D | B | 38.9/26.2 |
| IC13 | 1130006221 | S.IC TC4W53FU (TE12L,F) | B | 47.1/24 |
| IC14 | 1110006221 | S.IC AK2346P-E2/P | B | 41.5/13.2 |
| IC15 | 1110001811 | S.IC TA7368FG (5,ER) | T | 97.3/15.4 |
| IC16 | 1110002751 | S.IC TA75S01F (TE85R,F) | T | 88.1/12.4 |
| IC17 | 1110005350 | S.IC NJM2870F05-TE1-#FZZB | B | 93.2/20.2 |
| IC19 | 1110006380 | S.IC LM2904PWR | B | 42.9/39.6 |
| IC20 | 1130009090 | S.IC LC75834W-TLM-E | T | 57.3/20.3 |
| IC21 | 1130010100 | S.IC LMX2352TMX/NOPB | T | 79.5/33.7 |
| IC22 | 1140011511 | S.IC HD64F2238BTF13V | B | 17.4/22.4 |
| IC23 | 1110006380 | S.IC LM2904PWR | B | 36.9/39.3 |
| IC24 | 1110002751 | S.IC TA75S01F (TE85R,F) | B | 56.2/36.9 |
| IC25 | 1130007021 | S.IC TC7S66FU (TE85L,F) | B | 58.2/33 |
| Q2 | 1590003321 | S.FET TPC6103 (TE85L,F) | T | 98.4/4.8 |
| Q3 | 1590003290 | S.STR UNR9213J-(TX) | T | 93.4/5 |
| Q4 | 1560000841 | S.FET 2SK1829 (TE85R,F) | T | 90.9/34.7 |
| Q5 | 1580000731 | S.FET 3SK293 (TE85L,F) | B | 90.9/39 |
| Q6 | 1580000760 | S.FET 3SK299-T1 U73 | B | 86.8/29.5 |
| Q7 | 1530002601 | S.STR 2SC4215-O (TE85R,F) | B | 89.2/19.7 |
| Q14 | 1530003260 | S.STR 2SC5006-T1 | B | 79.9/31.5 |
| Q15 | 1530003260 | S.STR 2SC5006-T1 | B | 73.2/29.9 |
| Q16 | 1530002920 | S.STR 2SC4226-T1 R25 | B | 75.7/25.5 |
| Q17 | 1530002920 | S.STR 2SC4226-T1 R25 | B | 74.7/32.3 |
| Q18 | 1590001400 | S.STR XP1214 (TX) | T | 71.3/32.1 |
| Q19 | 1590003290 | S.STR UNR9213J-(TX) | T | 71.4/29.7 |
| Q20 | 1530002851 | S.STR 2SC4116-BL (TE85R,F) | T | 86.5/25.8 |
| Q21 | 1560000541 | S.FET 2SK880-Y (T5RICOM,F) | T | 75/23.1 |
| Q22 | 1530002851 | S.STR 2SC4116-BL (TE85R,F) | T | 80.9/24.7 |
| Q24 | 1510000920 | S.STR 2SA1577 T106 Q | B | 63.3/14.3 |
| Q25 | 1510000920 | S.STR 2SA1577 T106 Q | B | 64.4/10.4 |
| Q26 | 1520000450 | S.STR 2SB1132 T100 Q | B | 56.6/11.3 |
| Q27 | 1590001190 | S.STR XP6501-(TX).AB | B | 57.5/7.3 |
| Q28 | 1590003230 | S.STR UNR9113J-(TX) | B | 54.1/7.1 |
| Q29 | 1530003260 | S.STR 2SC5006-T1 | B | 78.2/25.9 |
| Q38 | 1590003290 | S.STR UNR9213J-(TX) | B | 81.8/39.2 |
| Q40 | 1590003290 | S.STR UNR9213J-(TX) | B | 49.5/18.4 |
| Q41 | 1590001190 | S.STR XP6501-(TX).AB | T | 90.8/21.3 |
| Q42 | 1520000450 | S.STR 2SB1132 T100 Q | T | 89.3/17.2 |
| Q43 | 1590003380 | S.STR UNR9111J-(TX) | T | 77.7/4.9 |
| Q44 | 1590003270 | S.STR UNR9210J-(TX) | T | 29.8/5.6 |
| Q45 | 1590003230 | S.STR UNR9113J-(TX) | B | 54.6/4.5 |
| Q46 | 1590003290 | S.STR UNR9213J-(TX) | T | 84.9/10.5 |
| Q502 | 1560001360 | S.FET 2SK3019 TL | B | 35.9/11.7 |
| Q503 | 1590003290 | S.STR UNR9213J-(TX) | T | 81.6/42.6 |
| D5 | 1160000060 | S.DIO DAN202U T106 | T | 93.6/7.3 |
| D6 | 1790001260 | S.DIO MA2S077-(TX) | B | 27.6/31 |
| D8 | 1790001250 | S.DIO MA2S111-(TX) | T | 86.8/28.9 |
| D9 | 1750000711 | S.VCP HVC350BTRF-E | B | 68.6/29.7 |
| D10 | 1750000711 | S.VCP HVC350BTRF-E | B | 70.1/27.9 |
| D11 | 1750000711 | S.VCP HVC350BTRF-E | B | 68.4/32.3 |
| D12 | 1720000570 | S.VCP MA368 (TX) | B | 68.4/26.7 |
| D13 | 1750000711 | S.VCP HVC350BTRF-E | B | 71.3/25.9 |
| D14 | 1750000711 | S.VCP HVC350BTRF-E | B | 85.1/35.5 |
| D15 | 1750000711 | S.VCP HVC350BTRF-E | B | 87.2/41.5 |
| D16 | 1750000581 | S.DIO 1SV307 (TPH3,F) | B | 84.2/18.1 |
| D17 | 1790001260 | S.DIO MA2S077-(TX) | B | 83.4/22.2 |
| D18 | 1790001250 | S.DIO MA2S111-(TX) | T | 92.9/36.6 |
| D19 | 1750000711 | S.VCP HVC350BTRF-E | B | 94.1/41.6 |
| D20 | 1750000711 | S.VCP HVC350BTRF-E | B | 92.8/41.6 |
| D21 | 1160000060 | S.DIO DAN202U T106 | B | 28.4/22.6 |
| D23 | 1750000940 | S.DIO ISS400 TE61 | B | 28/24.5 |
| D24 | 1750000711 | S.VCP HVC350BTRF-E | B | 96.7/39.2 |
| D25 | 1750000711 | S.VCP HVC350BTRF-E | B | 95.4/39.2 |
| D28 | 1790001670 | S.DIO RB706F-40T106 | B | 29.8/2.9 |
| FI1 | 2030000150 | S.MLH FL-335 (46.350 MHz) | T | 91.3/27.1 |
| FI2 | 2030000340 | S.MLH FL-367 (47.250 MHz) | T | 91.3/27.1 |
| | 2020001530 | CER CFWLB450KFFA-B0 | T | 91.3/27.1 |
| X1 | 6070000191 | S.DCR CDBKB450KCAY24-R0 | B | 80/16.9 |
| X2 | 6050011931 | S.XTL CR-781A (15.3 MHz) | B | 63.3/38.3 |
| X5 | 6050011730 | S.XTL CR-765 (3.6864 MHz) | B | 38.3/4 |
| X6 | 6050011830 | S.XTL CR-774 (12.288 MHz) | B | 30.9/31.5 |
| L7 | 6200007690 | S.COL LQW2BHN18NJ03L | B | 98.3/37.2 |
| | 6200007700 | S.COL LQW2BHN22NJ03L | B | 98.3/37.2 |
| | 6200007710 | S.COL LQW2BHN27NJ03L | B | 98.3/37.2 |

[MAIN UNIT]

| REF NO. | PARTS NO. | DESCRIPTION | M. | H/V LOCATION |
|---------|------------|---|----|--------------|
| L8 | 6200007690 | S.COL LQW2BHN18NJ03L [5], [7], [10], [16], [19], [21], [24] only | B | 93.7/37 |
| L9 | 6200007680 | S.COL LQW2BHN12NJ03L | B | 87.7/38.2 |
| L11 | 6200007680 | S.COL LQW2BHN12NJ03L | B | 85.9/33.8 |
| L12 | 6200007921 | S.COL ELJRF 15NJFB | B | 84.9/28 |
| L13 | 6200005510 | S.COL ELJND R27J-F | B | 89.4/33.2 |
| L21 | 6200007921 | S.COL ELJRF 15NJFB | B | 80.1/24 |
| L22 | 6200007901 | S.COL ELJRF 22NJFB | B | 75.1/30.2 |
| L25 | 6200012390 | S.COL 0.30-0.92-3TR 5.8N <COMO> | B | 71.4/22.8 |
| L27 | 6200004951 | S.COL NLV25T-1R8J | T | 70.5/24.4 |
| L28 | 6200012640 | S.COL ELJFC R82MH | T | 69/27.7 |
| L31 | 6200007720 | S.COL LQW2BHN33NJ03L | B | 100.9/35.9 |
| L32 | 6200007911 | S.COL ELJRF 18NJFB | B | 78.3/32.9 |
| L33 | 6200004480 | S.COL MLF1608D R82K-T | T | 81.1/22.5 |
| L35 | 6200003540 | S.COL MLF1608D R22K-T | T | 84.6/25.5 |
| L37 | 6200012400 | S.COL 0.30-0.91-4TL 8.6N | B | 70.6/34.1 |
| L41 | 6200007881 | S.COL ELJRF 33NJFB | B | 80.5/29.7 |
| L42 | 6200005461 | S.COL LL1608-FSL82NJ | T | 68.4/30.7 |
| L43 | 6200003550 | S.COL MLF1608A 4R7K-T | T | 73.1/24.7 |
| | 6200004660 | S.COL MLF1608A 1R8K-T | T | 73.1/24.7 |
| | 6200011860 | S.COL LQW18ANR47G00D | T | 73.1/24.7 |
| L46 | 6200007561 | S.COL LL1608-FHL15NJ [3], [17] | B | 86.3/25 |
| | 6200007581 | S.COL LL1608-FHL22NJ [10], [16] | B | 86.3/25 |
| | 6200007591 | S.COL LL1608-FHL27NJ [9], [11] | B | 86.3/25 |
| | 6200009280 | S.COL LQW18AN27NG00D [1], [2], [13], [14], [15], [26] | B | 86.3/25 |
| L47 | 6200002790 | S.COL ELJFC R82M-F [4], [18] only | T | 71.2/34.5 |
| L48 | 6200002851 | S.COL NLV25T-R82J [1], [2], [3], [9], [10], [11], [12], [13], [14], [15], [16], [17], [25], [26] only | T | 74.3/28.4 |
| L49 | 6200007891 | S.COL ELJRF 27NJFB [1], [2], [3], [9], [11], [13], [14], [15], [17], [26] only | B | 77.8/27.9 |
| R1 | 7030004970 | S.RES ERJ2GEJ 470 X (47) | T | 87.4/14.6 |
| R4 | 7030008280 | S.RES ERJ2GEJ 271 X (270) | T | 87.5/7.8 |
| | 7030009280 | S.RES ERJ2GEJ 391 X [9], [23] only | T | 87.5/7.8 |
| R5 | 7030005600 | S.RES ERJ2GEJ 273 X (27 k) | T | 86.2/8.6 |
| R6 | 7030005110 | S.RES ERJ2GEJ 224 X (220 k) | T | 86/15.7 |
| R7 | 7030005080 | S.RES ERJ2GEJ 823 X (82 k) | T | 85.5/13.4 |
| | 7030005100 | S.RES ERJ2GEJ 154 X (150 k) | T | 85.5/13.4 |
| | 7030005310 | S.RES ERJ2GEJ 124 X (120 k) | T | 85.5/13.4 |
| R8 | 7030005110 | S.RES ERJ2GEJ 224 X (220 k) | T | 88/10.2 |
| | 7030005230 | S.RES ERJ2GEJ 334 X (330 k) | T | 88/10.2 |
| R9 | 7030005120 | S.RES ERJ2GEJ 102 X (1 k) | T | 90.5/12.3 |
| R12 | 7030005530 | S.RES ERJ2GEJ 100 X (10) | B | 90.2/36.8 |
| R13 | 7030005090 | S.RES ERJ2GEJ 104 X (100 k) | B | 92.8/39.5 |
| R14 | 7030005720 | S.RES ERJ2GEJ 563 X (56 k) | T | 93/40.1 |
| R15 | 7030005240 | S.RES ERJ2GEJ 473 X (47 k) | T | 91.6/38.9 |
| R16 | 7030004980 | S.RES ERJ2GEJ 101 X (100) | B | 89.6/41.2 |
| R17 | 7030004970 | S.RES ERJ2GEJ 470 X (47) | T | 89.1/37.7 |
| R18 | 7030005040 | S.RES ERJ2GEJ 472 X (4.7 k) | T | 77.2/28.8 |
| R19 | 7030005080 | S.RES ERJ2GEJ 823 X (82 k) | T | 91.1/37.6 |
| R21 | 7030005110 | S.RES ERJ2GEJ 224 X (220 k) | T | 87.6/38.7 |
| R22 | 7030005050 | S.RES ERJ2GEJ 103 X (10 k) | T | 88.6/38.9 |
| R23 | 7030005110 | S.RES ERJ2GEJ 224 X (220 k) | T | 86.5/35.6 |
| R24 | 7030005050 | S.RES ERJ2GEJ 103 X (10 k) | B | 86.2/22.9 |
| R25 | 7030005040 | S.RES ERJ2GEJ 472 X (4.7 k) | B | 85.7/31.2 |
| R29 | 7030007270 | S.RES ERJ2GEJ 151 X (150) | B | 89.2/27.5 |
| R31 | 7030004980 | S.RES ERJ2GEJ 101 X (100) | T | 89.2/33.8 |
| R32 | 7030010040 | S.RES ERJ2GEJ-JPW [6], [7], [20], [21] only | T | 92.2/31.9 |
| R33 | 7030007270 | S.RES ERJ2GEJ 151 X (150) | B | 90.2/22.9 |
| R33 | 7030007280 | S.RES ERJ2GEJ 331 X (330) | B | 90.2/22.9 |
| R34 | 7030005110 | S.RES ERJ2GEJ 224 X (220 k) | B | 88.6/21.6 |
| R35 | 7030004980 | S.RES ERJ2GEJ 101 X (100) | B | 87.2/21.2 |
| R36 | 7030005030 | S.RES ERJ2GEJ 152 X (1.5 k) | B | 81.9/15.6 |
| R38 | 7030005090 | S.RES ERJ2GEJ 104 X (100 k) | T | 81.8/12.2 |
| R39 | 7030004970 | S.RES ERJ2GEJ 470 X (47) | B | 81.4/11.6 |
| R40 | 7030007270 | S.RES ERJ2GEJ 151 X (150) | T | 81.8/21.3 |
| R43 | 7030004970 | S.RES ERJ2GEJ 470 X (47) | T | 77.8/14.1 |
| R44 | 7030005240 | S.RES ERJ2GEJ 473 X (47 k) | T | 77.9/21.3 |
| R45 | 7030008290 | S.RES ERJ2GEJ 183 X (18 k) | T | 77.2/17.4 |
| R46 | 7030005000 | S.RES ERJ2GEJ 471 X (470) | T | 76.6/20.7 |
| R48 | 7030005000 | S.RES ERJ2GEJ 471 X (470) | B | 87.2/19.9 |
| R50 | 7030004990 | S.RES ERJ2GEJ 221 X (220) | B | 84.9/22.8 |
| R68 | 7030005050 | S.RES ERJ2GEJ 103 X (10 k) | B | 84.7/15.9 |
| R69 | 7030005040 | S.RES ERJ2GEJ 472 X (4.7 k) | B | 85.6/18.2 |
| R70 | 7030005530 | S.RES ERJ2GEJ 100 X (10) | B | 80.2/24.9 |
| R71 | 7030005600 | S.RES ERJ2GEJ 273 X (27 k) | B | 78.1/23.9 |
| R72 | 7030005240 | S.RES ERJ2GEJ 473 X (47 k) | B | 35.5/34.2 |
| R73 | 7030008010 | S.RES ERJ2GEJ 123 X (12 k) | B | 39.1/19.5 |
| R74 | 7030006610 | S.RES ERJ2GEJ 394 X (390 k) | B | 40.1/19.5 |

M.=Mounted side (T: Mounted on the Top side, B: Mounted on the Bottom side)
S.=Surface mount

[MAIN UNIT]

| REF NO. | PARTS NO. | DESCRIPTION | M. | H/V LOCATION |
|---------|------------|-----------------------------|----|---|
| R75 | 7030005100 | S.RES ERJ2GEJ 154 X (150 k) | B | 78.7/29.5 |
| R76 | 7030004980 | S.RES ERJ2GEJ 101 X (100) | B | 78.8/27.9 |
| R77 | 7030004980 | S.RES ERJ2GEJ 101 X (100) | B | 76.6/29.2 |
| R78 | 7030005090 | S.RES ERJ2GEJ 104 X (100 k) | B | 75/29.2 |
| R79 | 7030006020 | S.RES RR0510P-682-D (6.8 k) | B | 75.5/34.3 |
| R80 | 7030005050 | S.RES ERJ2GEJ 103 X (10 k) | T | 74.4/30.6 |
| R81 | 7030005090 | S.RES ERJ2GEJ 104 X (100 k) | B | 47.9/20.8 [4], [6], [18], [20] only |
| R82 | 7030010040 | S.RES ERJ2GEJ-JPW | B | 74.3/23.5 |
| R83 | 7030006020 | S.RES RR0510P-682-D (6.8 k) | B | 74.3/22.5 |
| R84 | 7030006020 | S.RES RR0510P-682-D (6.8 k) | B | 72.8/24.9 |
| R85 | 7030006020 | S.RES RR0510P-682-D (6.8 k) | B | 72.2/34.3 |
| R86 | 7030005110 | S.RES ERJ2GEJ 224 X (220 k) | T | 68.8/21.8 |
| R87 | 7030005000 | S.RES ERJ2GEJ 471 X (470) | T | 69/34.6 [3], [4], [17], [18] |
| R88 | 7030008370 | S.RES ERJ2GEJ 561 X (560) | T | 69/34.6 [3], [17] |
| | 7030009270 | S.RES ERJ2GEJ 821 X (820) | T | [1], [2], [3], [11], [12], [13], [14], [15], [17], [25], [26] |
| | 7030009280 | S.RES ERJ2GEJ 391 X | T | 73.1/30.9 [9], [10], [16], [23], [24] |
| R89 | 7030005050 | S.RES ERJ2GEJ 103 X (10 k) | T | 74.2/25.2 |
| R90 | 7030005170 | S.RES ERJ2GEJ 474 X (470 k) | T | 71.1/21 |
| R91 | 7030005070 | S.RES ERJ2GEJ 683 X (68 k) | T | 70.8/19.7 |
| R91 | 7030005240 | S.RES ERJ2GEJ 473 X (47 k) | T | 70.8/19.7 |
| R92 | 7030005310 | S.RES ERJ2GEJ 124 X (120 k) | T | 72.4/21.5 |
| R93 | 7030005060 | S.RES ERJ2GEJ 333 X (33 k) | B | 46.2/20.8 |
| R95 | 7030005000 | S.RES ERJ2GEJ 471 X (470) | T | 76.2/28.8 |
| R95 | 7030005030 | S.RES ERJ2GEJ 152 X (1.5 k) | T | 76.2/28.8 |
| R96 | 7030005120 | S.RES ERJ2GEJ 102 X (1 k) | B | 87.3/36.5 [3], [8], [9], [17], [22], [23] |
| | 7030005240 | S.RES ERJ2GEJ 473 X (47 k) | B | 87.3/36.5 except [3], [8], [9], [10], [16], [17], [22], [23] |
| R97 | 7030009270 | S.RES ERJ2GEJ 821 X (820) | B | 87.3/36.5 [10], [16] |
| R98 | 7030007290 | S.RES ERJ2GEJ 102 X (1 k) | B | 11.6/29.9 |
| R100 | 7030005040 | S.RES ERJ2GEJ 222 X (2.2 k) | T | 86.4/27.7 |
| | 7030005040 | S.RES ERJ2GEJ 472 X (4.7 k) | T | 73.6/20.3 [4], [18] only |
| R101 | 7030004990 | S.RES ERJ2GEJ 221 X (220) | T | 75.1/25.9 [4], [18] only |
| R103 | 7030005110 | S.RES ERJ2GEJ 224 X (220 k) | B | 56.6/40.1 |
| R104 | 7030005090 | S.RES ERJ2GEJ 104 X (100 k) | B | 55/39.1 |
| R106 | 7030005160 | S.RES ERJ2GEJ 105 X (1 M) | B | 43.5/7.9 |
| R107 | 7030005060 | S.RES ERJ2GEJ 333 X (33 k) | B | 37.5/7.7 |
| R108 | 7030005000 | S.RES ERJ2GEJ 471 X (470) | B | 64/35.4 |
| R110 | 7030005080 | S.RES ERJ2GEJ 823 X (82 k) | T | 70.7/16.9 [9], [23] |
| | 7030005090 | S.RES ERJ2GEJ 104 X (100 k) | T | 70.7/16.9 [1], [2], [3], [4], [5], [6], [7], [8], [10], [11], [12], [13], [14], [15], [16], [17], [18], [19], [20], [21], [22], [24], [25], [26] |
| R111 | 7030005170 | S.RES ERJ2GEJ 474 X (470 k) | T | 66.9/32.4 |
| R114 | 7030005080 | S.RES ERJ2GEJ 823 X (82 k) | B | 38.9/7.3 |
| R115 | 7030007570 | S.RES ERJ2GEJ 122 X (1.2 k) | T | 85.5/23.4 |
| R116 | 7030007060 | S.RES ERJ2GEJ 684X (680 k) | T | 83.2/26.3 |
| R117 | 7030005160 | S.RES ERJ2GEJ 105 X (1 M) | B | 40.6/7.2 |
| R118 | 7030005110 | S.RES ERJ2GEJ 224 X (220 k) | B | 26.9/6.3 |
| R119 | 7030005240 | S.RES ERJ2GEJ 473 X (47 k) | B | 36.5/7.7 |
| R120 | 7030005240 | S.RES ERJ2GEJ 473 X (47 k) | B | 41.6/19.9 |
| R121 | 7030005110 | S.RES ERJ2GEJ 224 X (220 k) | B | 36.4/44.6 |
| R121 | 7030005230 | S.RES ERJ2GEJ 334 X (330 k) | B | 36.4/44.6 |
| R122 | 7030005070 | S.RES ERJ2GEJ 683 X (68 k) | B | 35/43.1 |
| R123 | 7030005060 | S.RES ERJ2GEJ 333 X (33 k) | B | 70.3/41.9 |
| R124 | 7030005170 | S.RES ERJ2GEJ 474 X (470 k) | T | 71.4/22.3 |
| R124 | 7030006610 | S.RES ERJ2GEJ 394 X (390 k) | T | 71.4/22.3 |
| R127 | 7030008300 | S.RES ERJ2GEJ 184 X (180 k) | T | 70/22.6 [4], [5], [6], [7], [8], [18], [19], [20], [21], [22] only |
| R130 | 7030007300 | S.RES ERJ2GEJ 332 X (3.3 k) | T | 99.4/35.2 |
| R131 | 7030005050 | S.RES ERJ2GEJ 103 X (10 k) | B | 101.3/41.5 |
| R147 | 7030005090 | S.RES ERJ2GEJ 104 X (100 k) | B | 55.2/29.8 |
| R148 | 7030005070 | S.RES ERJ2GEJ 683 X (68 k) | B | 55.2/30.8 |
| R151 | 7030005240 | S.RES ERJ2GEJ 473 X (47 k) | B | 49.8/25.5 |
| R152 | 7030005700 | S.RES ERJ2GEJ 274 X (270 k) | B | 52.1/24.4 [4], [18] only |
| R154 | 7030005310 | S.RES ERJ2GEJ 124 X (120 k) | B | 53.6/29 |
| R156 | 7030010040 | S.RES ERJ2GEJ-JPW | B | 54.8/28.5 |
| R157 | 7030005050 | S.RES ERJ2GEJ 103 X (10 k) | B | 53.6/29.9 |
| R161 | 7030005050 | S.RES ERJ2GEJ 103 X (10 k) | B | 61.4/14.4 |
| R162 | 7030005040 | S.RES ERJ2GEJ 472 X (4.7 k) | B | 60.1/12.9 |
| R163 | 7030005050 | S.RES ERJ2GEJ 103 X (10 k) | B | 62.5/11.4 |
| R164 | 7030005040 | S.RES ERJ2GEJ 472 X (4.7 k) | B | 62.1/10.1 |
| R165 | 7030005050 | S.RES ERJ2GEJ 103 X (10 k) | B | 55.5/8.2 |
| R166 | 7030007290 | S.RES ERJ2GEJ 222 X (2.2 k) | B | 58/5.3 |
| R172 | 7030005050 | S.RES ERJ2GEJ 103 X (10 k) | T | 89.1/35.9 |
| R173 | 7030008400 | S.RES ERJ2GEJ 182 X (1.8 k) | T | 91.1/36.6 |
| R174 | 7030005170 | S.RES ERJ2GEJ 474 X (470 k) | T | 92.9/34.4 |
| R175 | 7030005110 | S.RES ERJ2GEJ 224 X (220 k) | T | 92.4/32.9 |
| R181 | 7030005220 | S.RES ERJ2GEJ 223 X (22 k) | B | 40/34.9 |
| R182 | 7030005220 | S.RES ERJ2GEJ 223 X (22 k) | B | 39.4/41.3 |
| R183 | 7030005220 | S.RES ERJ2GEJ 223 X (22 k) | B | 40.4/41.3 |
| R184 | 7030007300 | S.RES ERJ2GEJ 332 X (3.3 k) | B | 43.8/33.3 [4], [5], [6], [7], [8], [18], [19], [20], [21], [22] only |
| R185 | 7030005290 | S.RES ERJ2GEJ 682 X (6.8 k) | B | 43.8/35.3 [4], [5], [6], [7], [8], [18], [19], [20], [21], [22] only |
| R186 | 7030005000 | S.RES ERJ2GEJ 471 X (470) | B | 45.5/39.7 |
| R203 | 7030005110 | S.RES ERJ2GEJ 224 X (220 k) | B | 12.2/5.5 |
| R204 | 7030005090 | S.RES ERJ2GEJ 104 X (100 k) | B | 12.3/3.6 |
| R205 | 7030005090 | S.RES ERJ2GEJ 104 X (100 k) | B | 28/19.3 |
| R209 | 7030005240 | S.RES ERJ2GEJ 473 X (47 k) | B | 51.2/17.8 |
| R210 | 7030005240 | S.RES ERJ2GEJ 473 X (47 k) | B | 51.2/19.5 |

[MAIN UNIT]

| REF NO. | PARTS NO. | DESCRIPTION | M. | H/V LOCATION |
|---------|------------|-----------------------------|----|--|
| R211 | 7030005240 | S.RES ERJ2GEJ 473 X (47 k) | B | 53.6/18.7 |
| R213 | 7030005040 | S.RES ERJ2GEJ 472 X (4.7 k) | B | 51.8/20.8 |
| R214 | 7030005240 | S.RES ERJ2GEJ 473 X (47 k) | B | 50.2/20.6 |
| R215 | 7030005070 | S.RES ERJ2GEJ 683 X (68 k) | B | 59/20.7 |
| R216 | 7030005070 | S.RES ERJ2GEJ 683 X (68 k) | B | 59/22.8 |
| R217 | 7030005070 | S.RES ERJ2GEJ 683 X (68 k) | B | 59/24.7 |
| R218 | 7030005070 | S.RES ERJ2GEJ 683 X (68 k) | B | 59/25.6 |
| R219 | 7030007350 | S.RES ERJ2GEJ 393 X (39 k) | B | 59/26.5 [4], [18] only |
| R220 | 7030005220 | S.RES ERJ2GEJ 223 X (22 k) | B | 58.3/29.6 [4], [18] only |
| R221 | 7030005220 | S.RES ERJ2GEJ 223 X (22 k) | B | 5.7/13.8 |
| R222 | 7030008300 | S.RES ERJ2GEJ 184 X (180 k) | B | 7.8/15.6 |
| R223 | 7030005720 | S.RES ERJ2GEJ 563 X (56 k) | B | 6.8/15.4 |
| R224 | 7030005220 | S.RES ERJ2GEJ 223 X (22 k) | B | 5.8/15.4 |
| R225 | 7030007260 | S.RES ERJ2GEJ 330 X (33 k) | T | 101.4/18.8 |
| R226 | 7030005530 | S.RES ERJ2GEJ 100 X (10) | T | 94.5/18.8 |
| R227 | 7030009140 | S.RES ERJ2GEJ 272 X (2.7 k) | T | 89/20.8 |
| R228 | 7030007300 | S.RES ERJ2GEJ 332 X (3.3 k) | T | 88.6/22.3 |
| R229 | 7030005120 | S.RES ERJ2GEJ 102 X (1 k) | T | 92.9/22.1 |
| R231 | 7030005100 | S.RES ERJ2GEJ 154 X (150 k) | B | 30.4/22.6 |
| R233 | 7030004980 | S.RES ERJ2GEJ 101 X (100) | T | 98.4/10.3 |
| R234 | 7030005530 | S.RES ERJ2GEJ 100 X (10) | T | 100.7/12.4 |
| R235 | 7030005000 | S.RES ERJ2GEJ 471 X (470) | T | 83.5/5 |
| R236 | 7030005090 | S.RES ERJ2GEJ 104 X (100 k) | T | 75.7/4.3 |
| R237 | 7030005530 | S.RES ERJ2GEJ 100 X (10) | B | 23.8/14 |
| R238 | 7030000340 | MCR10EZHJ 470 Except [CHN] | | |
| | 7520000270 | PRG21BC4R7MM1RA [CHN] only | | 83/8.4 |
| R239 | 7030007340 | S.RES ERJ2GEJ 153 X (15 k) | B | 27.9/6.4 |
| R240 | 7030005210 | S.RES ERJ2GEJ 822 X (8.2 k) | B | 35.2/32.9 |
| R241 | 7030005110 | S.RES ERJ2GEJ 224 X (220 k) | B | 40/31.9 |
| R242 | 7030005230 | S.RES ERJ2GEJ 334 X (330 k) | B | 35.2/31.9 |
| R243 | 7030005040 | S.RES ERJ2GEJ 472 X (4.7 k) | B | 38.6/32.4 |
| R244 | 7030005210 | S.RES ERJ2GEJ 822 X (8.2 k) | B | 40/33.9 |
| R245 | 7030005070 | S.RES ERJ2GEJ 683 X (68 k) | B | 40/35.9 |
| R246 | 7030008290 | S.RES ERJ2GEJ 183 X (18 k) | T | 98.5/8.1 |
| R247 | 7030005000 | S.RES ERJ2GEJ 471 X (470) | B | 36.6/20.7 |
| R256 | 7510001730 | S.TMR ERTJOEP 473J | B | 20/32.9 |
| R257 | 7030005090 | S.RES ERJ2GEJ 104 X (100 k) | B | 19/33.9 |
| R258 | 7030005530 | S.RES ERJ2GEJ 100 X (10) | B | 24.9/8.2 |
| R259 | 7030005160 | S.RES ERJ2GEJ 105 X (1 M) | B | 27.7/27.8 |
| R260 | 7030008010 | S.RES ERJ2GEJ 123 X (12 k) | B | 27.3/29.3 |
| R261 | 7030008010 | S.RES ERJ2GEJ 123 X (12 k) | B | 26/30.5 |
| R262 | 7030008010 | S.RES ERJ2GEJ 123 X (12 k) | B | 27.3/34 |
| R263 | 7030005090 | S.RES ERJ2GEJ 104 X (100 k) | B | 22.9/32.9 |
| R264 | 7030006010 | S.RES RR0510P-472-D (4.7 k) | B | 15.3/33.7 |
| R265 | 7030006010 | S.RES RR0510P-472-D (4.7 k) | B | 14.8/32.7 |
| R266 | 7030005090 | S.RES ERJ2GEJ 104 X (100 k) | B | 45/18.5 |
| R267 | 7030005090 | S.RES ERJ2GEJ 104 X (100 k) | B | 44/18.5 |
| R269 | 7030005090 | S.RES ERJ2GEJ 104 X (100 k) | B | 46/18.5 |
| R270 | 7030007290 | S.RES ERJ2GEJ 222 X (2.2 k) | B | 19.9/31.9 |
| R272 | 7030004980 | S.RES ERJ2GEJ 101 X (100) | T | 56.3/4.4 |
| R273 | 7030010040 | S.RES ERJ2GEJ-JPW | | |
| | 7030005110 | S.RES ERJ2GEJ 224 X (220 k) | B | 15.6/5.3 [4], [7], [8], [18], [20], [21], [22] only |
| R275 | 7030005110 | S.RES ERJ2GEJ 224 X (220 k) | B | 14.4/5.6 |
| R281 | 7030005720 | S.RES ERJ2GEJ 563 X (56 k) | T | 93/36.7 |
| R282 | 7030005090 | S.RES ERJ2GEJ 104 X (100 k) | B | 34.4/39.5 |
| R283 | 7030005090 | S.RES ERJ2GEJ 104 X (100 k) | B | 34.4/37.9 |
| R288 | 7030005040 | S.RES ERJ2GEJ 472 X (4.7 k) | B | 13.7/4.4 |
| R289 | 7030005090 | S.RES ERJ2GEJ 104 X (100 k) | B | 38.4/33.6 |
| R291 | 7030005120 | S.RES ERJ2GEJ 102 X (1 k) | B | 9.5/14.7 |
| R292 | 7030005090 | S.RES ERJ2GEJ 104 X (100 k) | B | 29.8/18 |
| R293 | 7030005050 | S.RES ERJ2GEJ 103 X (10 k) | B | 28.3/18 |
| R295 | 7030005240 | S.RES ERJ2GEJ 473 X (47 k) | T | 62.1/14.1 |
| R300 | 7030005090 | S.RES ERJ2GEJ 104 X (100 k) | T | 61.7/16.4 |
| R301 | 7030005070 | S.RES ERJ2GEJ 683 X (68 k) | B | 47.9/27.4 |
| R302 | 7030005090 | S.RES ERJ2GEJ 104 X (100 k) | B | 95.4/37.1 |
| R303 | 7030005050 | S.RES ERJ2GEJ 103 X (10 k) | T | 95.5/40.6 |
| R304 | 7030010040 | S.RES ERJ2GEJ-JPW | B | 72.4/31.8 |
| R305 | 7030008300 | S.RES ERJ2GEJ 184 X (180 k) | T | 66.9/33.4 |
| R306 | 7030005530 | S.RES ERJ2GEJ 100 X (10) | B | 68.6/24.5 |
| R307 | 7030005580 | S.RES ERJ2GEJ 560 X (56) | B | 79.4/34.4 |
| R308 | 7030005050 | S.RES ERJ2GEJ 103 X (10 k) | | |
| | 7030007340 | S.RES ERJ2GEJ 153 X (15 k) | T | 71.7/16.9 [5], [10], [16], [19], [24] |
| | 7030008010 | S.RES ERJ2GEJ 123 X (12 k) | T | 71.7/16.9 [9], [23] |
| R309 | 7030005050 | S.RES ERJ2GEJ 103 X (10 k) | B | 7/4.1 |
| R315 | 7210003061 | VAR TP76N00N-15F-A103-2251A | | |
| | 7030005700 | S.RES ERJ2GEJ 274 X (270 k) | T | 95.9/3.9 [4], [7], [8], [18], [20], [21], [22] only |
| R319 | 7030005090 | S.RES ERJ2GEJ 104 X (100 k) | T | 94.3/3.4 |
| R320 | 7030005090 | S.RES ERJ2GEJ 104 X (100 k) | B | 93.7/9 |
| R321 | 7030005090 | S.RES ERJ2GEJ 104 X (100 k) | B | 14.6/41.6 |
| R323 | 7030005050 | S.RES ERJ2GEJ 103 X (10 k) | B | 5.3/26.6 |
| R325 | 7030005050 | S.RES ERJ2GEJ 103 X (10 k) | B | 5.3/25.6 |
| R327 | 7030005050 | S.RES ERJ2GEJ 103 X (10 k) | B | 5.3/24.6 |
| R329 | 7030005050 | S.RES ERJ2GEJ 103 X (10 k) | B | 5.3/23.6 |
| R331 | 7030005050 | S.RES ERJ2GEJ 103 X (10 k) | B | 5.3/22.6 |
| R333 | 7030005050 | S.RES ERJ2GEJ 103 X (10 k) | B | 5.3/21.6 |
| R335 | 7030005050 | S.RES ERJ2GEJ 103 X (10 k) | B | 5.3/20.6 |
| R336 | 7030009710 | S.RES ERJ2GEJ 203 X (20 k) | B | 7/26.6 |
| R337 | 7030009710 | S.RES ERJ2GEJ 203 X (20 k) | B | 7/25.6 |
| R338 | 7030009710 | S.RES ERJ2GEJ 203 X (20 k) | B | 7/24.6 |
| R339 | 7030009710 | S.RES ERJ2GEJ 203 X (20 k) | B | 7/23.6 |
| R340 | 7030009710 | S.RES ERJ2GEJ 203 X (20 k) | B | 7/22.6 |
| R341 | 7030009710 | S.RES ERJ2GEJ 203 X (20 k) | B | 7/21.6 |
| R342 | 7030009710 | S.RES ERJ2GEJ 203 X (20 k) | B | |

[MAIN UNIT]

| REF NO. | PARTS NO. | DESCRIPTION | M. | H/V LOCATION |
|---------|------------|--|----|----------------------|
| R348 | 7030005120 | S.RES ERJ2GEJ 102 X (1 k) | T | 84.1/33.2 |
| R349 | 7030005120 | S.RES ERJ2GEJ 102 X (1 k) | B | 28/20.4 |
| R350 | 7030005120 | S.RES ERJ2GEJ 102 X (1 k) | B | 22.7/15.1 |
| R351 | 7030005120 | S.RES ERJ2GEJ 102 X (1 k) | B | 31.4/20.8 |
| R352 | 7030005120 | S.RES ERJ2GEJ 102 X (1 k) | B | 8.5/26.9 |
| R353 | 7030005120 | S.RES ERJ2GEJ 102 X (1 k) | B | 13.9/13.6 |
| R354 | 7030005120 | S.RES ERJ2GEJ 102 X (1 k) | B | 12.7/14 |
| R355 | 7030005120 | S.RES ERJ2GEJ 102 X (1 k) | B | 11.4/14.3 |
| R356 | 7030005120 | S.RES ERJ2GEJ 102 X (1 k) | B | 11.5/15.4 |
| R357 | 7030006610 | S.RES ERJ2GEJ 394 X (390 k) | B | 34.4/41.1 |
| R358 | 7030006610 | S.RES ERJ2GEJ 394 X (390 k) | B | 34.4/36.3 |
| R359 | 7030010040 | S.RES ERJ2GEJ-JPW | T | 84/30.6 |
| R360 | 7030005050 | S.RES ERJ2GEJ 103 X (10 k) | T | 95.5/39.6 |
| R361 | 7030008370 | S.RES ERJ2GEJ 561 X (560) | T | |
| | | [4], [6], [7], [18], [20], [21] only | B | 89/31.1 |
| R362 | 7030005090 | S.RES ERJ2GEJ 104 X (100 k) | B | 55.5/33.1 |
| R507 | 7030005120 | S.RES ERJ2GEJ 102 X (1 k) | T | 76.2/17.4 |
| R508 | 7030005040 | S.RES ERJ2GEJ 472 X (4.7 k) | B | 49.6/28.1 |
| R509 | 7030005040 | S.RES ERJ2GEJ 472 X (4.7 k) | B | 51.6/27.9 |
| R510 | 7030005240 | S.RES ERJ2GEJ 473 X (47 k) | B | 37.8/19.9 |
| R511 | 7030005210 | S.RES ERJ2GEJ 822 X (8.2 k) | B | 36.7/17.8 |
| R512 | 7030005210 | S.RES ERJ2GEJ 822 X (8.2 k) | B | 35.2/17.8 |
| R513 | 7030005240 | S.RES ERJ2GEJ 473 X (47 k) | B | 34.7/16.6 |
| R514 | 7030005090 | S.RES ERJ2GEJ 104 X (100 k) | B | 33.4/38.6 |
| R515 | 7030005120 | S.RES ERJ2GEJ 102 X (1 k) | T | 75.7/7 |
| R516 | 7030005090 | S.RES ERJ2GEJ 104 X (100 k) | B | 53/31.6 |
| R518 | 7030005230 | S.RES ERJ2GEJ 334 X (330 k) | B | 31.3/22.5 |
| R519 | 7030005090 | S.RES ERJ2GEJ 104 X (100 k) | B | |
| | | [4], [6], [18], [20] only | B | 44.9/21.7 |
| R520 | 7030008010 | S.RES ERJ2GEJ 123 X (12 k) | B | |
| | | [4], [18] only | B | 59/28.4 |
| R521 | 7030005090 | S.RES ERJ2GEJ 104 X (100 k) | B | |
| | | [4], [18] only | B | 59/27.5 |
| R522 | 7030005050 | S.RES ERJ2GEJ 103 X (10 k) | T | 92.1/12.3 |
| R523 | 7030005120 | S.RES ERJ2GEJ 102 X (1 k) [4], [18] only | B | 36.4/13.5 |
| R524 | 7030005090 | S.RES ERJ2GEJ 104 X (100 k) | B | |
| | | [4], [18] only | B | 31.1/7.1 |
| R525 | 7030010040 | S.RES ERJ2GEJ-JPW | B | 5.2/28.6 |
| | | [5], [7], [10], [16], [19], [21], [24] only | B | |
| R527 | 7030010040 | S.RES ERJ2GEJ-JPW | T | 93.9/9 |
| | | [1], [2], [3], [9], [10], [11], [12], [13], [14], [15], [16], [17], [25], [26] only | T | |
| C17 | 4550007120 | S.TAN F92 1D 224MPA | T | 78/26.3 |
| C18 | 4030017510 | S.CER ECJ0EC1H0680J | B | 98.2/34.9 |
| C19 | 4030017350 | S.CER ECJ0EC1H020B | B | |
| | | [1], [2], [3], [4], [6], [8], [11], [12], [13], [14], [15], [17], [18], [20], [22], [25], [26] | B | 88.6/41.2 |
| | 4030017380 | S.CER ECJ0EC1H050B | B | 88.6/41.2 |
| | 4030017520 | S.CER ECJ0EC1H0R3B | B | 88.6/41.2 |
| | | [5], [7], [10], [16], [19], [21], [24] | B | 88.6/41.2 |
| | 4030017570 | S.CER ECJ0EC1H040B | B | 88.6/41.2 |
| | 4030017580 | S.CER ECJ0EC1H060C | B | |
| | | [3], [9], [17], [23] | B | 99.8/37.7 |
| | 4030017590 | S.CER ECJ0EC1H070C | B | |
| | | except [3], [9], [17], [23] | B | 99.8/37.7 |
| C22 | 4030017350 | S.CER ECJ0EC1H020B | B | 95.6/35.8 |
| C24 | 4030017460 | S.CER ECJ0EB1E102K | T | 95/38.6 |
| C25 | 4030017380 | S.CER ECJ0EC1H050B | B | 96.6/34.6 |
| | 4030017570 | S.CER ECJ0EC1H040B | B | |
| | | [5], [7], [10], [16], [19], [21], [24] | B | 96.6/34.6 |
| | 4030017580 | S.CER ECJ0EC1H060C | B | |
| | | [5], [7], [9], [10], [16], [19], [21], [23], [24] | B | 96.6/34.6 |
| C26 | 4030017460 | S.CER ECJ0EB1E102K | B | 37.6/34.6 |
| C27 | 4030017400 | S.CER ECJ0EC1H220J | B | |
| | | [5], [7], [10], [16], [19], [21], [24] | B | 96.4/37.1 |
| | 4030017650 | S.CER ECJ0EC1H270J | B | 96.4/37.1 |
| | 4030017660 | S.CER ECJ0EC1H330J | B | |
| | | [5], [7], [9], [10], [16], [19], [21], [23], [24] | B | 96.4/37.1 |
| C28 | 4030017380 | S.CER ECJ0EC1H050B | B | 92/36 |
| | 4030017580 | S.CER ECJ0EC1H060C | B | [3], [9], [17], [23] |
| | 4030017590 | S.CER ECJ0EC1H070C | B | |
| | | [3], [9], [17], [23] | B | 92/36 |
| C29 | 4030017620 | S.CER ECJ0EC1H100C | B | |
| | | [5], [7], [10], [16], [19], [21], [23], [24] | B | 92/37 |
| | 4030017640 | S.CER ECJ0EC1H150J | B | |
| | | except [5], [7], [10], [16], [19], [21], [24] | B | 92/37 |
| C30 | 4030017460 | S.CER ECJ0EB1E102K | B | 89.8/35 |
| C31 | 4030017910 | S.CER ECJ0EB1H152K | B | 41.6/18.7 |
| C32 | 4030017460 | S.CER ECJ0EB1E102K | B | 91.6/41.2 |
| C33 | 4030017420 | S.CER ECJ0EC1H470J | B | 90.6/41.2 |
| C34 | 4030017460 | S.CER ECJ0EB1E102K | B | 47.9/19.8 |
| C34 | 4030018820 | S.CER ECJ0EB1H561K | B | 47.9/19.8 |
| C35 | 4030017760 | S.CER ECJ0EB1H222K | B | 44.5/20.5 |
| C36 | 4030017460 | S.CER ECJ0EB1E102K | T | 87.8/36.2 |
| C37 | 4030017460 | S.CER ECJ0EB1E102K | T | 86.5/37.6 |
| C39 | 4030017620 | S.CER ECJ0EC1H100C | B | 88.7/39.9 |
| C39 | 4030017640 | S.CER ECJ0EC1H150J | B | 88.7/39.9 |
| C40 | 4030017520 | S.CER ECJ0EC1H0R3B | B | |
| | | [5], [7], [10], [16], [19], [21], [23], [24] | B | 88.6/36.4 |
| | 4030017530 | S.CER ECJ0EC1H0R5B | B | |
| | | except [5], [7], [10], [16], [19], [21], [24] | B | 88.6/36.4 |
| C41 | 4030017640 | S.CER ECJ0EC1H150J | B | 87/31.9 |
| C42 | 4030017460 | S.CER ECJ0EB1E102K | T | 89.1/40.2 |

[MAIN UNIT]

| REF NO. | PARTS NO. | DESCRIPTION | M. | H/V LOCATION |
|---------|------------|---|----|------------------|
| C43 | 4030017460 | S.CER ECJ0EB1E102K | T | 86.5/36.6 |
| C44 | 4030017380 | S.CER ECJ0EC1H050B | B | 85.7/32.2 |
| C45 | 4030017620 | S.CER ECJ0EC1H100C | B | 87.2/35.6 |
| | 4030017630 | S.CER ECJ0EC1H120J | B | 87.2/35.6 |
| C46 | 4030017420 | S.CER ECJ0EC1H470J | B | 39.5/18 |
| C47 | 4030016970 | S.CER ECJ0EB1C223K | B | 12.4/30.6 |
| C48 | 4030017400 | S.CER ECJ0EC1H220J | B | 87.2/27.5 |
| C49 | 4030017350 | S.CER ECJ0EC1H020B | B | |
| | | [5], [7], [10], [16], [19], [21], [24] | B | 86.2/27.5 |
| | 4030017380 | S.CER ECJ0EC1H050B | B | |
| | | except [5], [7], [9], [10], [16], [19], [21], [23], [24] | B | |
| | 4030017630 | S.CER ECJ0EB1H120J | B | [9], [23] |
| C50 | 4030017460 | S.CER ECJ0EB1E102K | B | 88.2/27.5 |
| C51 | 4030017460 | S.CER ECJ0EB1E102K | T | 90.5/31.9 |
| C52 | 4030017420 | S.CER ECJ0EC1H470J | B | 89/30.1 |
| C53 | 4030016790 | S.CER ECJ0EB1C103K | B | 90.7/29.8 |
| C54 | 4030017460 | S.CER ECJ0EB1E102K | B | 90.7/31.1 |
| C56 | 4030017390 | S.CER ECJ0EC1H180J | T | 94.6/25.6 |
| C56 | 4030017620 | S.CER ECJ0EC1H100C | T | 94.6/25.6 |
| C57 | 4030017460 | S.CER ECJ0EB1E102K | T | 88.2/32 |
| C58 | 4030017460 | S.CER ECJ0EB1E102K | B | 89.2/22.9 |
| C59 | 4030017460 | S.CER ECJ0EB1E102K | B | 86.2/21.2 |
| C60 | 4030017460 | S.CER ECJ0EB1E102K | B | 88.2/22.9 |
| C61 | 4030017430 | S.CER ECJ0EC1H101J | B | 87.2/18.9 |
| C62 | 4030017680 | S.CER ECJ0EC1H820J | T | 79.7/12.6 |
| C63 | 4030017420 | S.CER ECJ0EC1H470J | B | |
| | | [1], [2], [3], [9], [10], [11], [13], [14], [15], [16], [17], [26] only | B | 33.1/20.7 |
| C64 | 4030017460 | S.CER ECJ0EB1E102K | B | 34.3/13.8 |
| C65 | 4030017330 | S.CER ECJ0EF1C104Z | B | 17.6/32.9 |
| C66 | 4030017460 | S.CER ECJ0EB1E102K | T | 77.8/15.1 |
| C67 | 4030017460 | S.CER ECJ0EB1E102K | B | 78.1/12.6 |
| C69 | 4030017750 | S.CER ECJ0EB1E122K | T | 77.9/19.2 |
| C70 | 4030017460 | S.CER ECJ0EB1E102K | T | |
| | | [4], [5], [6], [7], [8], [18], [19], [20], [21], [22] only | T | 77.9/20.2 |
| C71 | 4030017330 | S.CER ECJ0EF1C104Z | T | 79.9/21.3 |
| C72 | 4030017420 | S.CER ECJ0EC1H470J | T | 84.5/12.3 |
| C73 | 4030017460 | S.CER ECJ0EB1E102K | T | 91.8/13.2 |
| C74 | 4030017460 | S.CER ECJ0EB1E102K | B | 86.6/6 |
| C75 | 4550007600 | S.TAN F920J106MPABMA | B | |
| | | [1], [2], [3], [9], [10], [11], [12], [13], [14], [15], [16], [17], [25], [26] only | B | 75.6/12.2 |
| C76 | 4030016790 | S.CER ECJ0EB1C103K | T | 90.3/13.7 |
| C77 | 4030017460 | S.CER ECJ0EB1E102K | B | |
| | | [5], [7], [10], [16], [19], [21], [23], [24] | B | 88/16.4 |
| | 4030017730 | S.CER ECJ0EB1E471K | B | |
| | | except [5], [7], [10], [16], [19], [21], [24] | B | 88/16.4 |
| C78 | 4030017460 | S.CER ECJ0EB1E102K | T | 85.2/7.4 |
| C79 | 4030006860 | S.CER C1608 JB 1H 102K-T | T | |
| | | [4], [6], [18], [20] only | T | 87.9/9 |
| C80 | 4030016790 | S.CER ECJ0EB1C103K | T | 85.5/14.4 |
| C90 | 4030017400 | S.CER ECJ0EC1H220J | B | 44.7/6.3 |
| C95 | 4030017710 | S.CER ECJ0EC1H181J | B | 38.9/8.3 |
| C98 | 4030017400 | S.CER ECJ0EC1H220J | B | 32/5.5 |
| C100 | 4030017590 | S.CER ECJ0EC1H070C | B | [4], [18] only |
| C102 | 4030017360 | S.CER ECJ0EC1H030B | B | [9], [23] |
| C102 | 4030017380 | S.CER ECJ0EC1H050B | B | except [9], [23] |
| C103 | 4030017560 | S.CER ECJ0EC1H2R5B | B | |
| | | [4], [9], [18], [23] | B | 77.9/30.8 |
| | 4030017580 | S.CER ECJ0EC1H060C | B | [9], [23] |
| C104 | 4030017460 | S.CER ECJ0EB1E102K | B | 77.9/30.8 |
| C105 | 4030017460 | S.CER ECJ0EB1E102K | B | 75.8/28 |
| C106 | 4030017420 | S.CER ECJ0EC1H470J | B | 79.6/29.5 |
| C107 | 4030017460 | S.CER ECJ0EB1E102K | B | 79.2/22.2 |
| C108 | 4030016790 | S.CER ECJ0EB1C103K | B | 80.2/25.8 |
| | | [5], [7], [10], [16], [19], [21], [23], [24] | B | 86.6/16.4 |
| | 4030017730 | S.CER ECJ0EB1E471K | B | |
| | | [5], [7], [10], [16], [19], [21], [24] | B | 86.6/16.4 |
| C109 | 4030017460 | S.CER ECJ0EB1E102K | B | 80.2/26.7 |
| C110 | 4030017730 | S.CER ECJ0EB1E471K | B | 76.8/27.9 |
| C111 | 4030017420 | S.CER ECJ0EC1H470J | T | 69.2/32.8 |
| C112 | 4030017750 | S.CER ECJ0EB1E122K | B | 35.5/7.7 |
| C113 | 4030017540 | S.CER ECJ0EC1HR75B | B | 71.7/30.4 |
| C114 | 4030017380 | S.CER ECJ0EC1H050B | B | 72.4/32.9 |
| C115 | 4030017620 | S.CER ECJ0EC1H100C | B | |
| | | [5], [7], [10], [16], [19], [21], [24] | B | 74.5/34.3 |
| | 4030017630 | S.CER ECJ0EC1H120J | B | |
| | | except [5], [7], [10], [16], [19], [21], [23], [24] | B | |
| C116 | 4030016790 | S.CER ECJ0EB1C103K | B | 74.5/34.3 |
| C117 | 4030017730 | S.CER ECJ0EB1E471K | B | 76.6/32.7 |
| C118 | 4030017530 | S.CER ECJ0EC1H0R5B | B | |
| | | [9], [10], [16], [23], [24] | B | 73.5/27.9 |
| | 4030017540 | S.CER ECJ0EC1HR75B | B | |
| | | [1], [2], [3], [11], [12], [13], [14], [15], [17], [25], [26] | B | 73.5/27.9 |
| C119 | 4030017460 | S.CER ECJ0EB1E102K | B | 75.9/22.7 |
| C120 | 4030017730 | S.CER ECJ0EB1E471K | B | 75.9/23.7 |
| C121 | 4030017380 | S.CER ECJ0EC1H050B | B | |
| | | [5], [7], [10], [16], [19], [21], [24] | B | 73.8/25.3 |
| | 4030017620 | S.CER ECJ0EC1H100C | B | |
| | | [1], [2], [3], [4], [11], [12], [13], [14], [15], [17], [18], [25], [26] | B | 73.8/25.3 |
| C121 | 4030017640 | S.CER ECJ0EC1H150J | B | [9], [23] only |
| C122 | 4030017390 | S.CER ECJ0EC1H180J | B | 73.4/26.6 |
| C123 | 4030017390 | S.CER ECJ0EC1H180J | B | |
| | | [4], [6], [8], [9], [18], [20], [22], [23] | B | 73/22.9 |
| | 4030017580 | S.CER ECJ0EC1H060C | B | [10] |

M.=Mounted side (T: Mounted on the Top side, B: Mounted on the Bottom side)
S.=Surface mount

[MAIN UNIT]

| REF NO. | PARTS NO. | DESCRIPTION | M. | H/V LOCATION |
|---------|------------|--|----|--------------|
| C123 | 4030017640 | S.CER ECJ0EC1H150J [1], [2], [3], [5], [7], [11], [12], [13], [14], [15], [17], [19], [21], [25], [26] | B | 73/22.9 |
| C124 | 4030017590 | S.CER ECJ0EC1H070C | B | 40.6/8.3 |
| C125 | 4030018110 | S.CER ECJ0EB1H272K | B | 70.9/31.8 |
| C126 | 4030017590 | S.CER ECJ0EC1H070C [10], [16], [24] | B | |
| | 4030017630 | S.CER ECJ0EC1H120J [5], [7], [9], [10], [16], [19], [21], [23], [24] | B | 70.9/31.8 |
| | 4030017640 | S.CER ECJ0EC1H150J [9], [23] | B | 70.9/31.8 |
| C128 | 4030017330 | S.CER ECJ0EF1C104Z | B | 34.2/7.2 |
| C129 | 4030017530 | S.CER ECJ0EC1H0R5B | B | 69.5/23.4 |
| C130 | 4030017330 | S.CER ECJ0EF1C104Z | B | 36.1/9.4 |
| C131 | 4030017330 | S.CER ECJ0EF1C104Z | B | 43/19.4 |
| C132 | 4030017460 | S.CER ECJ0EB1E102K | T | 71.8/19.7 |
| C133 | 4030017390 | S.CER ECJ0EC1H180J [9], [23] | B | 70.3/24.3 |
| | 4030017630 | S.CER ECJ0EC1H120J [10], [16], [24] | B | |
| | 4030017640 | S.CER ECJ0EC1H150J [1], [2], [3], [11], [12], [13], [14], [15], [17], [25], [26] | B | 70.3/24.3 |
| C134 | 4030017640 | S.CER ECJ0EC1H150J except [5], [7], [10], [16], [19], [21], [24] | B | 69.9/31.8 |
| | 4030018120 | S.CER ECJ0EC1H110J [5], [7], [10], [16], [19], [21], [24] only | T | 76.4/26.2 |
| C135 | 4030017460 | S.CER ECJ0EB1E102K | B | 36.4/43.6 |
| C136 | 4030017430 | S.CER ECJ0EC1H101J | B | 36.4/43.6 |
| C137 | 4030017660 | S.CER ECJ0EC1H330J | T | 86.5/23.4 |
| C138 | 4030016790 | S.CER ECJ0EB1C103K | T | 72.1/27.3 |
| C139 | 4550000510 | S.TAN TEESVA 1V 473M8R | B | 79.8/27.9 |
| C140 | 4030017330 | S.CER ECJ0EF1C104Z | T | 84.5/37.1 |
| C141 | 4030017460 | S.CER ECJ0EB1E102K | T | 73.6/21.3 |
| C142 | 4030016790 | S.CER ECJ0EB1C103K | B | 68.7/41.9 |
| C143 | 4030017330 | S.CER ECJ0EF1C104Z | B | 68.7/41.9 |
| C144 | 4030017460 | S.CER ECJ0EB1E102K | T | 77.2/23.6 |
| C145 | 4030017420 | S.CER ECJ0EC1H470J | T | 68.8/20.3 |
| C146 | 4030017420 | S.CER ECJ0EC1H470J [9], [23] only | T | 76.4/27.6 |
| C147 | 4030017420 | S.CER ECJ0EC1H470J | B | 68.7/40.9 |
| C148 | 4550006250 | S.TAN TEESVA 1A 106M8R | T | 86.5/32.4 |
| C149 | 4030017460 | S.CER ECJ0EB1E102K [5], [7], [10], [16], [19], [21], [23], [24] | T | 67.2/7.6 |
| | 4030017730 | S.CER ECJ0EB1E471K [5], [7], [10], [16], [19], [21], [24] | T | 67.2/7.6 |
| C150 | 4030017490 | S.CER C1608 JB 1A 105K-T | B | 70.8/18.3 |
| C151 | 4030017460 | S.CER ECJ0EB1E102K | B | 24.4/15.1 |
| C152 | 4030017420 | S.CER ECJ0EC1H470J | T | 83.2/40.2 |
| C153 | 4030017420 | S.CER ECJ0EC1H470J | T | 82.2/40.2 |
| C154 | 4030017420 | S.CER ECJ0EC1H470J | T | 81.2/40.2 |
| C155 | 4030017460 | S.CER ECJ0EB1E102K | T | 73.1/32.6 |
| C156 | 4030017430 | S.CER ECJ0EC1H101J | B | 64.9/35.4 |
| C157 | 4030017620 | S.CER ECJ0EC1H100C | B | 63.1/35.4 |
| C158 | 4030017330 | S.CER ECJ0EF1C104Z | B | 61.7/35.3 |
| C159 | 4030017460 | S.CER ECJ0EB1E102K | B | 59.4/38 |
| C160 | 4030017460 | S.CER ECJ0EB1E102K [5], [7], [10], [16], [19], [21], [23], [24] | T | 69.5/12 |
| | 4030017730 | S.CER ECJ0EB1E471K except [5], [7], [10], [16], [19], [21], [24] | T | 69.5/12 |
| C161 | 4030017620 | S.CER ECJ0EC1H100C | T | 83.3/27.6 |
| C162 | 4030017500 | S.CER ECJ0EC1H560J | T | 83.2/24 |
| C163 | 4030017570 | S.CER ECJ0EC1H040B | T | 84.5/23.4 |
| C164 | 4030017590 | S.CER ECJ0EC1H070C | T | 83.2/23 |
| C165 | 4030016790 | S.CER ECJ0EB1C103K | T | 83.2/25.3 |
| C166 | 4030017360 | S.CER ECJ0EC1H030B | T | 83.1/21.7 |
| C167 | 4030017330 | S.CER ECJ0EF1C104Z | B | 83.1/11.6 |
| C168 | 4030017460 | S.CER ECJ0EB1E102K [5], [7], [10], [16], [19], [21], [23], [24] | T | 75/8.5 |
| | 4030017730 | S.CER ECJ0EB1E471K except [5], [7], [10], [16], [19], [21], [24] | T | 75/8.5 |
| C169 | 4030017420 | S.CER ECJ0EC1H470J | T | 68.8/7 |
| C170 | 4030017330 | S.CER ECJ0EF1C104Z | B | 51.1/26 |
| C171 | 4030017460 | S.CER ECJ0EB1E102K | B | 70.3/40.9 |
| C172 | 4030016950 | S.CER ECJ0EB1A473K [4], [18] only | B | 52.1/26 |
| C174 | 4030017420 | S.CER ECJ0EC1H470J | B | 53.5/28.1 |
| C174 | 4030017710 | S.CER ECJ0EC1H181J | B | 53.5/28.1 |
| C175 | 4030017420 | S.CER ECJ0EC1H470J | B | 71.8/41.4 |
| C176 | 4030017330 | S.CER ECJ0EF1C104Z | T | 99.4/36.2 |
| C177 | 4030017330 | S.CER ECJ0EF1C104Z | B | 100.3/41.5 |
| C180 | 4030017330 | S.CER ECJ0EF1C104Z | B | 55.2/31.9 |
| C182 | 4030017460 | S.CER ECJ0EB1E102K | B | 87.2/22.9 |
| C183 | 4030017640 | S.CER ECJ0EC1H150J | B | 84.9/23.8 |
| C184 | 4030017460 | S.CER ECJ0EB1E102K | T | 90.6/38.9 |
| C185 | 4030017460 | S.CER ECJ0EB1E102K | T | 89.6/38.9 |
| C186 | 4030017330 | S.CER ECJ0EF1C104Z | T | 89.1/36.8 |
| C188 | 4030017460 | S.CER ECJ0EB1E102K | T | 82.8/12.2 |
| C191 | 4030017380 | S.CER ECJ0EC1H050B [5], [7], [10], [16], [19], [21], [24] | B | 70.4/30.4 |
| | 4030017600 | S.CER ECJ0EC1H080C [9], [23] | B | 70.4/30.4 |
| | 4030017610 | S.CER ECJ0EC1H090C | B | 70.4/30.4 |
| | 4030018120 | S.CER ECJ0EC1H110J [5], [7], [9], [10], [16], [19], [21], [23], [24] | B | 70.4/30.4 |
| C192 | 4030017370 | S.CER ECJ0EC1H3R5B [10], [16], [24] | B | 70/25.7 |
| | 4030017380 | S.CER ECJ0EC1H050B [9], [23] | B | 70/25.7 |
| | 4030017580 | S.CER ECJ0EC1H060C [1], [2], [3], [11], [12], [13], [14], [15], [17], [25], [26] | B | 70/25.7 |

[MAIN UNIT]

| REF NO. | PARTS NO. | DESCRIPTION | M. | H/V LOCATION |
|---------|------------|--|----|--------------|
| C193 | 4030017420 | S.CER ECJ0EC1H470J [1], [2], [3], [8], [9], [11], [12], [13], [14], [15], [17], [22], [23], [25], [26] | T | 66.9/31.5 |
| C205 | 4030017380 | S.CER ECJ0EC1H050B | B | 79.9/33.1 |
| C206 | 4030017590 | S.CER ECJ0EC1H070C | B | 78.1/33.9 |
| C206 | 4030017620 | S.CER ECJ0EC1H100C | B | 78.1/33.9 |
| C208 | 4030017590 | S.CER ECJ0EC1H070C | B | 78.1/34.9 |
| C208 | 4030017620 | S.CER ECJ0EC1H100C | B | 78.1/34.9 |
| C209 | 4030017460 | S.CER ECJ0EB1E102K | B | 80.4/34.4 |
| C211 | 4030017260 | S.CER C2012 JB 0J 475KT | B | 46/29.9 |
| C221 | 4030016940 | S.CER ECJ0EB1A393K | B | 39.4/39.7 |
| C222 | 4030016790 | S.CER ECJ0EB1C103K | B | 40.4/42.9 |
| C223 | 4030017330 | S.CER ECJ0EF1C104Z | B | 40.4/39.7 |
| C225 | 4030017730 | S.CER ECJ0EB1E471K | B | 43.8/34.3 |
| C226 | 4030017460 | S.CER ECJ0EB1E102K | B | 46.5/39.7 |
| C231 | 4030016790 | S.CER ECJ0EB1C103K | B | 60.1/13.9 |
| C232 | 4030016790 | S.CER ECJ0EB1C103K | B | 62.1/9.1 |
| C233 | 4550007090 | S.TAN TEESVA 1A 226M8R | B | 60/8.1 |
| C234 | 4030017730 | S.CER ECJ0EB1E471K [1], [2], [3], [9], [10], [11], [12], [13] [14], [15], [16], [17], [25], [26] only | B | 55.7/5.2 |
| C235 | 4030016790 | S.CER ECJ0EB1C103K | B | 54.7/5.2 |
| C236 | 4030018560 | S.CER C2012 JB 1A 475K-T | B | 94/23.8 |
| C237 | 4030016790 | S.CER ECJ0EB1C103K | B | 93/17.9 |
| C238 | 4550007070 | S.TAN TEESVP 1A 475M8R | B | 92/24.6 |
| C239 | 4030017330 | S.CER ECJ0EF1C104Z | B | 93/16.9 |
| C240 | 4030017460 | S.CER ECJ0EB1E102K | B | 56.8/29.8 |
| C241 | 4030017460 | S.CER ECJ0EB1E102K | B | 60.1/14.9 |
| C242 | 4030017460 | S.CER ECJ0EB1E102K | B | 64.8/8.4 |
| C302 | 4030016790 | S.CER ECJ0EB1C103K | T | 78.2/28.8 |
| C303 | 4030017490 | S.CER C1608 JB 1A 105K-T | T | 74.4/33.4 |
| C308 | 4550007090 | S.TAN TEESVA 1A 226M8R | B | 33.8/10.5 |
| C309 | 4030017490 | S.CER C1608 JB 1A 105K-T | B | 35.9/15.4 |
| C310 | 4030017490 | S.CER C1608 JB 1A 105K-T | B | 33.3/15.5 |
| C312 | 4030017900 | S.CER ECJ0EB1C123K | B | 52.3/17.8 |
| C314 | 4030017740 | S.CER ECJ0EB1E821K | B | 55.2/18.7 |
| C315 | 4030017330 | S.CER ECJ0EF1C104Z | B | 49.2/20.6 |
| C316 | 4030017420 | S.CER ECJ0EC1H470J | B | 57.4/19.1 |
| C317 | 4030017770 | S.CER ECJ0EB1E332K | B | 59/21.7 |
| C318 | 4030017690 | S.CER ECJ0EC1H121J | B | 57.3/28.5 |
| C319 | 4030017760 | S.CER ECJ0EB1H222K | B | 58.9/23.8 |
| C320 | 4030017460 | S.CER ECJ0EB1E102K | B | 60.2/27 |
| C321 | 4030017460 | S.CER ECJ0EB1E102K | T | 91.1/31.1 |
| C322 | 4030017420 | S.CER ECJ0EC1H470J | T | 100.1/18.6 |
| C323 | 4030016950 | S.CER ECJ0EB1A473K | T | 94.5/20.4 |
| C324 | 4550007110 | S.TAN SY6-1A107M-RC | B | 99.4/16.5 |
| C325 | 4550006250 | S.TAN TEESVA 1A 106M8R | T | 101.4/15.8 |
| C326 | 4550007080 | S.TAN TEESVA 1C 106M8R | T | 92.9/16.9 |
| C327 | 4030017330 | S.CER ECJ0EF1C104Z | T | 93.8/13.6 |
| C328 | 4030017460 | S.CER ECJ0EB1E102K | T | 87.7/20.3 |
| C329 | 4030017460 | S.CER ECJ0EB1E102K | T | 87.7/21.3 |
| C330 | 4030017330 | S.CER ECJ0EF1C104Z | T | 92.9/21.1 |
| C331 | 4030017460 | S.CER ECJ0EB1E102K | T | 101.7/12.4 |
| C332 | 4030017460 | S.CER ECJ0EB1E102K | T | 82.9/3.7 |
| C333 | 4550007600 | S.TAN F920J106MPABMA [1], [2], [3], [9], [10], [11], [12], [13], [14], [15], [16], [17], [25], [26] only | T | 81.5/4 |
| C334 | 4030017330 | S.CER ECJ0EF1C104Z | T | 75.7/5.4 |
| C335 | 4030018860 | S.CER ECJ0EB0J105K | B | 40/32.9 |
| C336 | 4030017730 | S.CER ECJ0EB1E471K | B | 40/36.9 |
| C337 | 4030017490 | S.CER C1608 JB 1A 105K-T | T | 96.4/7.9 |
| C338 | 4030017330 | S.CER ECJ0EF1C104Z | B | 34.5/20.7 |
| C338 | 4030018860 | S.CER ECJ0EB0J105K | B | 34.5/20.7 |
| C339 | 4030016790 | S.CER ECJ0EB1C103K | B | 32.6/18 |
| C340 | 4030017330 | S.CER ECJ0EF1C104Z | B | 9.6/16.5 |
| C345 | 4030017330 | S.CER ECJ0EF1C104Z | B | 19/34.9 |
| C346 | 4030017600 | S.CER ECJ0EC1H080C | B | 27.5/26.4 |
| C347 | 4030017640 | S.CER ECJ0EC1H150J | B | 27.4/36 |
| C348 | 4030017400 | S.CER ECJ0EC1H220J | B | 26.6/28 |
| C349 | 4030017330 | S.CER ECJ0EF1C104Z | B | 26/31.5 |
| C350 | 4030017330 | S.CER ECJ0EF1C104Z | B | 27.3/33 |
| C351 | 4030017330 | S.CER ECJ0EF1C104Z | B | 27.4/35 |
| C352 | 4030017030 | S.CER ECJ0EB1A273K | B | 23/41.3 |
| C353 | 4030017330 | S.CER ECJ0EF1C104Z | B | 14/32 |
| C354 | 4030016790 | S.CER ECJ0EB1C103K | B | 30.8/18 |
| C355 | 4030017460 | S.CER ECJ0EB1E102K | B | 51.5/7.6 |
| C356 | 4030017330 | S.CER ECJ0EF1C104Z | B | 15.4/4 |
| C357 | 4030018560 | S.CER C2012 JB 1A 475K-T | B | 25.4/40.9 |
| C359 | 4030017330 | S.CER ECJ0EF1C104Z | B | 21.6/38.8 |
| C360 | 4030017330 | S.CER ECJ0EF1C104Z | B | 49.8/26.5 |
| C368 | 4030017460 | S.CER ECJ0EB1E102K | T | 95.5/41.6 |
| C369 | 4030017400 | S.CER ECJ0EC1H220J [5], [7], [10], [16], [19], [21], [24] | B | 94.2/39.5 |
| | 4030017650 | S.CER ECJ0EC1H270J [9], [23] | B | 94.2/39.5 |
| | 4030017660 | S.CER ECJ0EC1H330J [5], [7], [9], [10], [16], [19], [21], [23] [24] | B | 94.2/39.5 |
| C371 | 4030017330 | S.CER ECJ0EF1C104Z | B | 45.9/32.5 |
| C375 | 4030017460 | S.CER ECJ0EB1E102K | T | 86/18 |
| C376 | 4030017460 | S.CER ECJ0EB1E102K | T | 86/17 |
| C377 | 4030017460 | S.CER ECJ0EB1E102K | B | 30.4/8.7 |
| C378 | 4030017460 | S.CER ECJ0EB1E102K | B | 37.9/44.2 |
| C379 | 4030017460 | S.CER ECJ0EB1E102K | T | 84.1/3.7 |
| C380 | 4030 | | | |

[MAIN UNIT]

| REF NO. | PARTS NO. | DESCRIPTION | M. | H/V LOCATION |
|---------|-------------|---|----|--------------|
| C396 | 4030017360 | S.CER ECJ0EC1H030B [5], [7], [10], [16], [19], [21], [23], [24] | B | 84.7/24.8 |
| | 4030017580 | S.CER ECJ0EC1H060C except [5], [7], [10], [16], [19], [21], [24] | B | 84.7/24.8 |
| C397 | 4030017360 | S.CER ECJ0EC1H030B [3], [17] | B | 84.9/27 |
| | 4030017580 | S.CER ECJ0EC1H060C except [3], [17] | B | 84.9/27 |
| C398 | 4030017460 | S.CER ECJ0EB1E102K | B | 68.1/34.3 |
| C399 | 4550007120 | S.TAN F92 1D 224MPA | T | 67.5/35.4 |
| C400 | 4030017460 | S.CER ECJ0EB1E102K | B | 72.2/27.5 |
| C401 | 4030017330 | S.CER ECJ0EF1C104Z | B | 71.3/28.2 |
| C401 | 4030018860 | S.CER ECJ0EB0J105K | B | 71.3/28.2 |
| C402 | 4030017460 | S.CER ECJ0EB1E102K | T | 92.9/19.9 |
| C403 | 4030017460 | S.CER ECJ0EB1E102K | B | 36.3/16.6 |
| C404 | 4030016790 | S.CER ECJ0EB1C103K | B | 59.1/35.3 |
| C405 | 4030017460 | S.CER ECJ0EB1E102K | B | 39.4/42.9 |
| C406 | 4030017330 | S.CER ECJ0EF1C104Z | B | 52.3/19.5 |
| C407 | 4030017460 | S.CER ECJ0EB1E102K | T | 95.9/2.9 |
| C408 | 4030017460 | S.CER ECJ0EB1E102K | T | 100.9/4.2 |
| C409 | 4030017460 | S.CER ECJ0EB1E102K | B | 16.6/32.9 |
| C411 | 4030017330 | S.CER ECJ0EF1C104Z [5], [7], [10], [16], [19], [21], [23], [24] | B | 18.6/32.4 |
| | 4030018860 | S.CER ECJ0EB0J105K except [5], [7], [10], [16], [19], [21], [24] | B | 18.6/32.4 |
| C412 | 4030017420 | S.CER ECJ0EC1H470J | T | 78.4/3.1 |
| C413 | 4030018080 | S.CER ECJ0EB1H182K [4], [5], [6], [7], [8], [18], [19], [20], [21], [22] only | B | 74.9/16.9 |
| C414 | 4030018860 | S.CER ECJ0EB0J105K [9], [23] only | B | 34.5/34.2 |
| C415 | 4030017570 | S.CER ECJ0EC1H040B [9], [23] only | B | 69.1/34.4 |
| C416 | 4030018860 | S.CER ECJ0EB0J105K [4], [6], [18], [20] only | T | 91.3/14.4 |
| C417 | 4030017330 | S.CER ECJ0EF1C104Z [4], [18] only | T | 80.9/12.2 |
| C418 | 4030017420 | S.CER ECJ0EC1H470J [4], [18] only | B | 80.6/22.6 |
| C419 | 4030017620 | S.CER ECJ0EC1H100C [4], [18], [24] only | B | 79.3/23.1 |
| C420 | 4030017380 | S.CER ECJ0EC1H050B [4], [6], [7], [18], [20], [21] only | T | 94.6/28.5 |
| C421 | 4550006780 | S.TAN TEESVB2 0J 476M8R [4], [18] only | B | 30.5/41.2 |
| C422 | 4550006780 | S.TAN TEESVB2 0J 476M8R [4], [18] only | B | 55.6/15.4 |
| C423 | 4030017730 | S.CER ECJ0EB1E471K [4], [18] only | T | 84.9/29.9 |
| C424 | 4030017730 | S.CER ECJ0EB1E471K [4], [6], [8], [18][20], [22] only | T | 97.9/42.3 |
| C425 | 4030017420 | S.CER ECJ0EC1H470J [1], [2], [3], [10], [11], [12], [13], [14], [15], [16], [17], [24], [25], [26] only | T | 70.7/27.1 |
| J2 | 6450002250 | CNR HSJ1456-010320 [4], [6], [8], [18][20], [22] only | | |
| J3 | 6450001680 | CNR HSJ1122-010010 | | |
| J4 | 6510021901 | S.CNR BM02B-ASRS-TF (LF) (SN) | T | 88.1/4.5 |
| J5 | 6510018430 | S.CNR AXN330C038P | B | 15.2/9.8 |
| J6 | 6510024391 | S.CNR IMSA-6176S-03Y902 | B | 88.2/8.8 |
| J7 | 6510024740 | S.CNR IPS-4039T-02B (4039T-01Y901) | B | 92.5/29 |
| DS1 | 5010000160 | S.LED LNJ310M6URA | T | 57.3/6 |
| DS2 | 5010000160 | S.LED LNJ310M6URA | T | 57.3/39.4 |
| DS3 | 5030003110 | LCD S11351 <SUC> | | |
| MC1 | 7700002760 | MIC EM6027P-46C33-G-01 <HOR> | | |
| S1 | 2230001060 | S.SW EVQ-PUL 02K | T | 102.2/38.1 |
| S2 | 2260002840 | SW SKHLLFA010 | | |
| S3 | 2260002800 | S.SW SW-167 (SKQTLAE010) | B | 61.1/44.2 |
| S4 | 2260002800 | S.SW SW-167 (SKQTLAE010) | B | 51.6/44.2 |
| S5 | 2260002800 | S.SW SW-167 (SKQTLAE010) | B | 99.6/44.2 |
| S27 | 2250000180 | ECR EC10SP16-47 | | |
| EP1 | 6910015370 | S.BEA ACZ1005Y-102-T | B | 76.6/30.8 |
| EP3 | 6910015370 | S.BEA ACZ1005Y-102-T | B | 59.4/36.9 |
| EP4 | 6910015600 | S.BEA ACZ1005Y-241 (240) [1], [2], [9], [10], [13], [14], [15], [16], [17], [26] only | B | 37.4/19 |
| EP5 | 6910015370 | S.BEA ACZ1005Y-102-T | B | 32/8.3 |
| EP6 | 6910015370 | S.BEA ACZ1005Y-102-T | T | 74.4/31.6 |
| EP7 | 89300063020 | LCT SRCN-2721-SP-N-W (SHJ) | | |
| EP11 | 6910015370 | S.BEA ACZ1005Y-102-T | T | 78/11.7 |
| EP12 | 0800008200 | ADP IC20-DES TRANSCRIPT [9], [23] only | | |

[PA UNIT]

| REF NO. | PARTS NO. | DESCRIPTION | M. | H/V LOCATION |
|---------|------------|--|----|--------------|
| Q701 | 1560001232 | S.FET RD07MVS2-T112 | B | 22.6/8.3 |
| Q702 | 1560001241 | S.FET RD01MUS1-T113 | B | 15.7/8.2 |
| Q703 | 1530000370 | S.TR 2SC3356-T1B | T | 8.4/14 |
| Q704 | 1530003260 | S.TR 2SC5006-T1 | T | 3.9/7 |
| D701 | 1750000581 | S.DIO 1SV307 (TPH3,F) | T | 33.9/12.8 |
| D702 | 1790001670 | S.DIO RB706F-40T106 | T | 28.8/17.8 |
| D703 | 1790001670 | S.DIO RB706F-40T106 | B | 30.9/13.6 |
| D704 | 1790001260 | S.DIO MA2S077-(TX) | B | 29.3/18 |
| D705 | 1790001240 | S.DIO MA2S728-(TX) | T | 25.9/18.1 |
| L701 | 6200002851 | S.COL NLV25T-R82J | B | 34.4/12.4 |
| L703 | 6200012610 | S.COL 0.40-0.9-2TL 2.8N <COMO> | T | 30.1/13.6 |
| L704 | 6200012610 | S.COL 0.40-0.9-2TL 2.8N <COMO> | T | 24.1/14.1 |
| L705 | 6200013010 | S.COL 0.30-0.9-5TL 10.3N <COMO> | B | 19.4/13.5 |
| L706 | 6200003590 | S.COL EXCCL3225U1 | B | 10.7/15.9 |
| L707 | 6200005681 | S.COL ELJRE 15NGFA [10], [16] | T | 9.1/16.1 |
| | 6200005691 | S.COL ELJRE 18NGFA [1], [2], [3], [11], [13], [14], [15], [17], [26] | T | 9.1/16.1 |
| | 6200005701 | S.COL ELJRE 22NGFA [9] | T | 9.1/16.1 |
| L708 | 6200005741 | S.COL ELJRE 47NGFA | T | 3.3/10.3 |
| L709 | 6200013010 | S.COL 0.30-0.9-5TL 10.3N <COMO> | T | 33.7/16.7 |
| L712 | 6200009070 | S.COL LQW18AN18NG00D | B | 32.2/15.8 |
| R701 | 7030004980 | S.RES ERJ2GEJ 101 X (100) | B | 31.4/11.8 |
| R702 | 7030005120 | S.RES ERJ2GEJ 102 X (1 k) | T | 29.6/15.7 |
| R703 | 7030005120 | S.RES ERJ2GEJ 102 X (1 k) | B | 27.2/16.3 |
| R704 | 7030005530 | S.RES ERJ2GEJ 100 X (10) | T | 18.4/2.9 |
| R705 | 7030005220 | S.RES ERJ2GEJ 223 X (22 k) [5], [7], [10], [16], [19], [21], [24] only | T | 16.9/2.4 |
| R706 | 7030005040 | S.RES ERJ2GEJ 472 X (4.7 k) | T | 14.5/2.9 |
| R708 | 7030004990 | S.RES ERJ2GEJ 221 X (220) | B | 12.8/11.4 |
| R710 | 7030005040 | S.RES ERJ2GEJ 472 X (4.7 k) | B | 10.8/11.0 |
| R712 | 7030005220 | S.RES ERJ2GEJ 223 X (22 k) | T | 4.5/13.9 |
| R715 | 7030005220 | S.RES ERJ2GEJ 223 X (22 k) | T | 3.8/8.9 |
| R726 | 7030005120 | S.RES ERJ2GEJ 102 X (1 k) | B | 27.7/14.9 |
| R727 | 7030005030 | S.RES ERJ2GEJ 152 X (1.5 k) [4], [5], [7], [10], [16], [18], [19], [21], [24] | B | 34.9/14.7 |
| | 7030005120 | S.RES ERJ2GEJ 102 X (1 k) except [4], [5], [7], [10], [16], [18], [19], [21], [24] | B | 34.9/14.7 |
| R728 | 7030010040 | S.RES ERJ2GEJ-JPW [5], [7], [10], [16], [19], [21], [23], [24] | B | 19/11.1 |
| | 7030011210 | S.RES ERJ2GEJ 1R0 X (1) except [5], [7], [10], [16], [19], [21], [24] | B | 19/11.1 |
| C701 | 4030017460 | S.CER ECJ0EB1E102K | T | 35/10.7 |
| C702 | 4030017420 | S.CER ECJ0EC1H470J | B | 31.3/10.5 |
| C703 | 4030017460 | S.CER ECJ0EB1E102K | B | 32.3/10.5 |
| C705 | 4030006990 | S.CER C1608 CH 1H 080D-T [5], [7], [10], [16], [19], [21], [23], [24] | T | 31.4/10.9 |
| | 4030009520 | S.CER C1608 CH 1H 020B-T except [5], [7], [10], [16], [19], [21], [24] | T | 31.4/10.9 |
| C707 | 4030017460 | S.CER ECJ0EB1E102K | B | 26.3/17.6 |
| C708 | 4030006860 | S.CER C1608 JB 1H 102K-T | T | 28.5/13.7 |
| C709 | 4030006980 | S.CER C1608 CH 1H 070D-T [5], [7], [10], [16], [19], [21], [24] | T | 27.3/13.7 |
| | 4030007010 | S.CER C1608 CH 1H 100D-T [9], [23] | T | 27.3/13.7 |
| | 4030011770 | S.CER C1608 CH 1H 060B-T [1], [2], [3], [11], [12], [13], [14], [15], [17], [25], [26] | T | 27.3/13.7 |
| C711 | 4030007020 | S.CER C1608 CH 1H 120J-T | T | 25.9/13.7 |
| | 4030009920 | S.CER C1608 CH 1H 050B-T | T | 25.9/13.7 |
| C712 | 4030007020 | S.CER C1608 CH 1H 120J-T [4], [5], [6], [7], [8], [10], [16], [18], [19], [20], [21], [22], [24] | T | 22.3/13.8 |
| | 4030007040 | S.CER C1608 CH 1H 180J-T [1], [2], [3], [11], [12], [13], [14], [15], [17], [25], [26] | T | 22.3/13.8 |
| | 4030009650 | S.CER C1608 CH 1H 240J-T [9], [23] | T | 22.3/13.8 |
| C713 | 4030007080 | S.CER C1608 CH 1H 390J-T | B | 27/13.2 |
| C715 | 4030017460 | S.CER ECJ0EB1E102K | B | 15.4/13.1 |
| C716 | 4030017460 | S.CER ECJ0EB1E102K | B | 14.4/13.1 |
| C718 | 4030017460 | S.CER ECJ0EB1E102K | T | 15.9/2.4 |
| C719 | 4030016790 | S.CER ECJ0EB1C103K | B | 12.7/13.1 |
| C720 | 4030017670 | S.CER ECJ0EC1H390J [5], [7], [10], [16], [19], [21], [24] | B | 19/8.4 |
| | 4030018070 | S.CER ECJ0EC1H300J except [5], [7], [10], [16], [19], [21], [24] | B | 19/8.4 |
| C721 | 4030017380 | S.CER ECJ0EC1H050B [9], [23] only | B | 17.2/11.5 |
| C722 | 4030017420 | S.CER ECJ0EC1H470J | B | 16.4/13.1 |
| C723 | 4030017460 | S.CER ECJ0EB1E102K | B | 10.6/9.8 |
| C724 | 4030017460 | S.CER ECJ0EB1E102K | B | 8.3/16 |
| C725 | 4030017420 | S.CER ECJ0EC1H470J | T | 10.6/13.3 |
| C726 | 4030017460 | S.CER ECJ0EB1E102K | T | 11.6/13.3 |
| C727 | 4030017460 | S.CER ECJ0EB1E102K | T | 12.6/13.3 |
| C729 | 4030017580 | S.CER ECJ0EC1H060C [4], [6], [8], [9], [18], [20][22], [23] [9], [23] | B | 11/11.8 |
| | 4030017610 | S.CER ECJ0EC1H090C | B | 11/11.8 |
| C731 | 4030017360 | S.CER ECJ0EC1H030B | T | 4.1/12.9 |
| C732 | 4030017460 | S.CER ECJ0EB1E102K | T | 5.1/10.6 |
| C733 | 4030017360 | S.CER ECJ0EC1H030B | T | 4.9/5.5 |

M.=Mounted side (T: Mounted on the Top side, B: Mounted on the Bottom side) S.=Surface mount

[PA UNIT]

| REF NO. | PARTS NO. | DESCRIPTION | M. | H/V LOCATION |
|---------|------------|--|----|--------------|
| C734 | 4030017730 | S.CER ECJ0EB1E471K | T | 13.1/2.4 |
| C735 | 4030017360 | S.CER ECJ0EC1H030B [10], [16] only | T | 3.5/11.5 |
| C742 | 4030017460 | S.CER ECJ0EB1E102K | T | 34/14.5 |
| C744 | 4030009910 | S.CER C1608 CH 1H 040B-T | T | 31.9/16.9 |
| C745 | 4030009910 | S.CER C1608 CH 1H 040B-T | T | 35.5/15.4 |
| C750 | 4030006990 | S.CER C1608 CH 1H 080D-T [1], [2], [3], [11], [12], [13], [14], [15], [17], [25], [26] | B | 32.2/17 |
| | 4030007000 | S.CER C1608 CH 1H 090D-T [9], [23] | B | 32.2/17 |
| | 4030009920 | S.CER C1608 CH 1H 050B-T [5], [7], [10], [16], [19], [21], [24] | B | 32.2/17 |
| C751 | 4030017380 | S.CER ECJ0EC1H050B [3], [17] | B | 30.3/17.6 |
| | 4030017570 | S.CER ECJ0EC1H040B except [3], [17] | B | 30.3/17.6 |
| C752 | 4030017460 | S.CER ECJ0EB1E102K [4], [5], [6], [7], [8], [9], [10], [12], [16], [18], [19], [20], [21], [22], [23], [24], [25] | B | 27.8/17.7 |
| | 4030017620 | S.CER ECJ0EC1H100C [1], [2], [3], [11], [13], [14], [15], [17], [26] | B | 27.8/17.7 |
| C753 | 4030017460 | S.CER ECJ0EB1E102K | B | 28.2/16.4 |
| C754 | 4030017460 | S.CER ECJ0EB1E102K | B | 28.8/13.5 |
| C755 | 4030007030 | S.CER C1608 CH 1H 150J-T [5], [7], [10], [16], [19], [21], [23], [24] | T | 20.7/13.8 |
| | 4030009910 | S.CER C1608 CH 1H 040B-T except [5], [7], [10], [16], [19], [21], [24] | T | 20.7/13.8 |
| C756 | 4030017460 | S.CER ECJ0EB1E102K | B | 17.5/13.1 |
| C757 | 4030017460 | S.CER ECJ0EB1E102K | B | 17.5/14.9 |
| C758 | 4030018860 | S.CER ECJ0EB0J105K [4], [6], [18], [20] only | T | 12.1/2.4 |
| C759 | 4030018860 | S.CER ECJ0EB0J105K [4], [6], [18], [20] only | T | 6/7.9 |
| C760 | 4030017460 | S.CER ECJ0EB1E102K | T | 6.7/8.9 |
| C761 | 4030017530 | S.CER ECJ0EC1H0R5B [10], [16] only | T | 3/5.5 |
| C762 | 4030017530 | S.CER ECJ0EC1H0R5B [10], [16] only | T | 5.9/14.7 |
| C763 | 4030017420 | S.CER ECJ0EC1H470J | T | 10.7/17.3 |
| C766 | 4030017460 | S.CER ECJ0EB1E102K [3], [5], [7], [8], [9], [10], [16], [17], [19], [21], [22], [23], [24] only | T | 9.9/20.3 |
| C767 | 4030017420 | S.CER ECJ0EC1H470J [3], [5], [7], [8], [9], [10], [16], [17], [19], [21], [22], [23], [24] only | T | 9.9/19.4 |
| J701 | 6510024391 | S.CNR IMSA-6176S-03Y902 | B | 6.3/9.7 |
| J702 | 6910015891 | CNR 9230B-1-02Z140-PT1 | | |
| F701 | 5210000901 | S.FUS 0467003.NR (0434003) | B | 10.9/19.6 |
| EP711 | 6910015370 | S.BEA ACZ1005Y-102-T | T | 11.2/14.6 |
| EP712 | 6910015370 | S.BEA ACZ1005Y-102-T | T | 6.1/10.2 |

[FUSE UNIT]

| REF NO. | PARTS NO. | DESCRIPTION | M. | H/V LOCATION |
|---------|------------|---|----|--------------|
| L801 | 6200012550 | S.COL 0.30-1.2-4TR 11.5N <COMO> | T | 5.7/12.2 |
| L802 | 6200012540 | S.COL 0.30-1.2-5TR 16.1N <COMO> | T | 6.8/9.5 |
| R801 | 7030003670 | S.RES ERJ3GEYJ 823 V (82 k) | T | 3.3/14 |
| C802 | 4030009510 | S.CER C1608 CH 1H 010B-T [5], [7], [10], [16], [19], [21], [24] only | T | 6.5/7.7 |
| C803 | 4030006980 | S.CER C1608 CH 1H 070D-T [5], [7], [10], [16], [19], [21], [24] | T | 3.3/11.1 |
| | 4030007000 | S.CER C1608 CH 1H 090D-T [5], [7], [9], [10], [16], [19], [21], [23], [24] | T | 3.3/11.1 |
| | 4030007010 | S.CER C1608 CH 1H 100D-T [9], [23] only | T | 3.3/11.1 |
| C804 | 4030009530 | S.CER C1608 CH 1H 030B-T [1], [2], [3], [8], [11], [12], [13], [14], [15], [17], [22], [25], [26] | T | 5/6.4 |
| | 4030009920 | S.CER C1608 CH 1H 050B-T [9], [23] | T | 5/6.4 |
| C805 | 4030009530 | S.CER C1608 CH 1H 030B-T | T | 7.9/6.3 |
| C806 | 4030009510 | S.CER C1608 CH 1H 010B-T [10], [16] only | T | 3.3/12.6 |

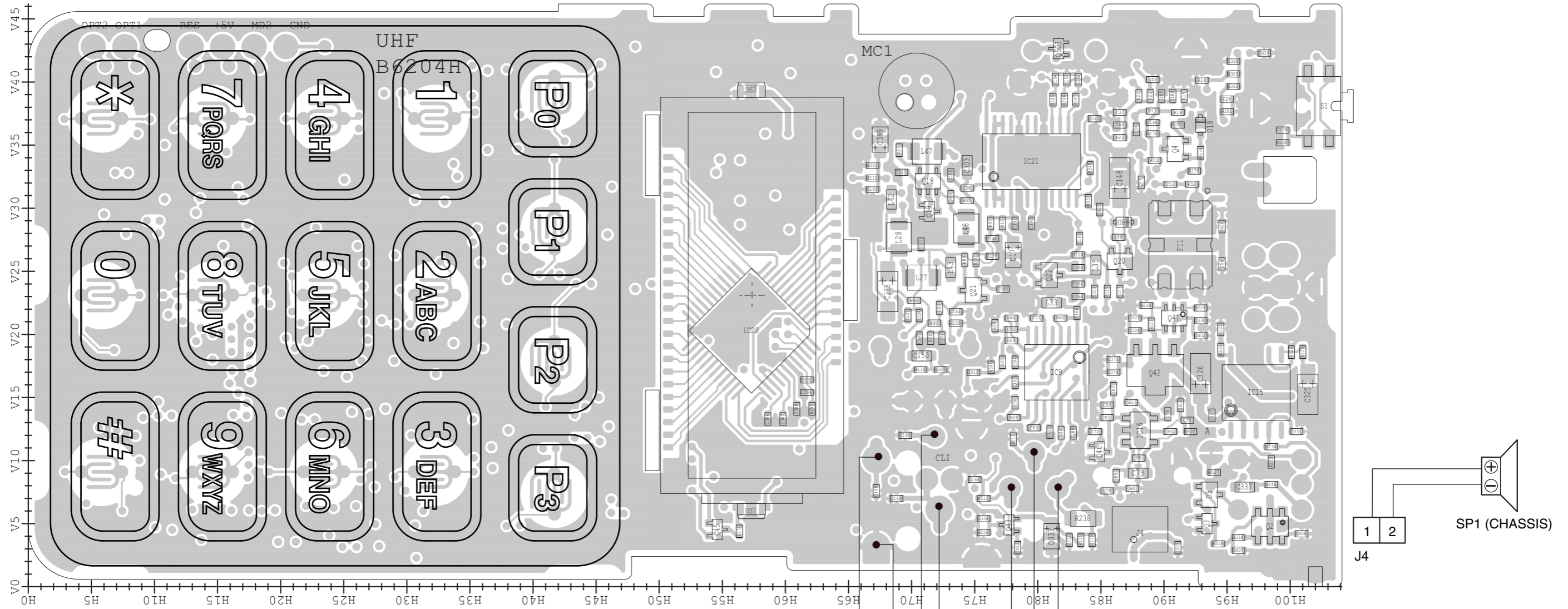
M.=Mounted side (T: Mounted on the Top side, B: Mounted on the Bottom side)
S.=Surface mount

[ANT UNIT]

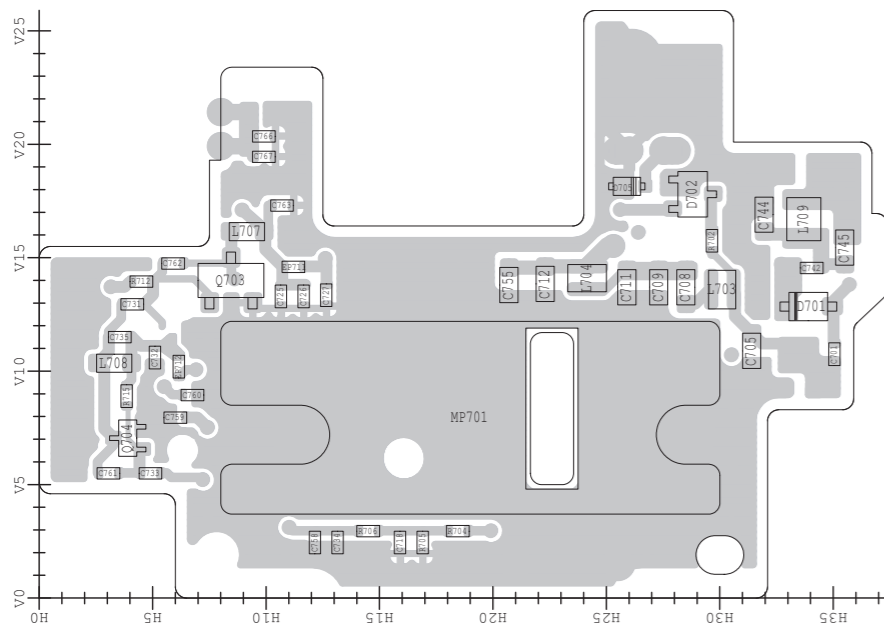
| REF NO. | PARTS NO. | DESCRIPTION | M. | H/V LOCATION |
|---------|------------|---------------------------------|----|--------------|
| L901 | 6200013100 | S.COL 0.45-1.5-5TL 18.3N <COMO> | T | 8.1/5.8 |
| L902 | 6200013100 | S.COL 0.45-1.5-5TL 18.3N <COMO> | T | 3/5.2 |
| L903 | 6200013100 | S.COL 0.45-1.5-5TL 18.3N <COMO> | T | 11.7/6.7 |
| C901 | 4030017460 | S.CER ECJ0EB1E102K | T | 5.9/4.3 |
| C902 | 4030017420 | S.CER ECJ0EC1H470J | T | 8.4/8.6 |
| C903 | 4030017460 | S.CER ECJ0EB1E102K | T | 9.3/8.6 |
| C904 | 4030017420 | S.CER ECJ0EC1H470J | T | 12.5/9 |
| C905 | 4030017460 | S.CER ECJ0EB1E102K | T | 13.4/9 |
| C906 | 4030017420 | S.CER ECJ0EC1H470J | T | 5.9/5.2 |
| J901 | 6910015881 | CNR 9230B-1-02Z141-PT1 | | |

BOARD LAYOUTS

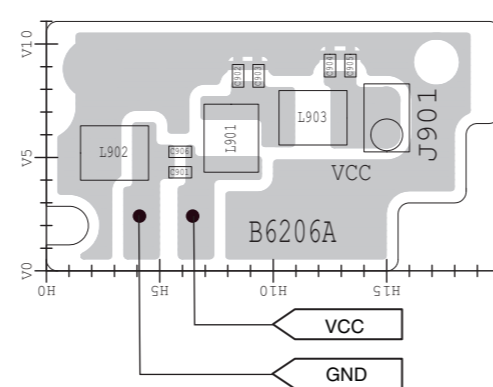
• MAIN UNIT (TOP VIEW)



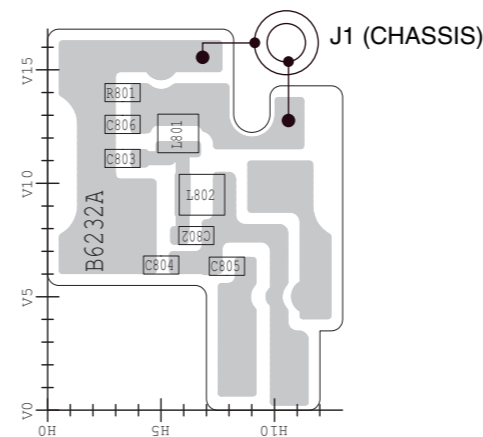
• PA UNIT (TOP VIEW)



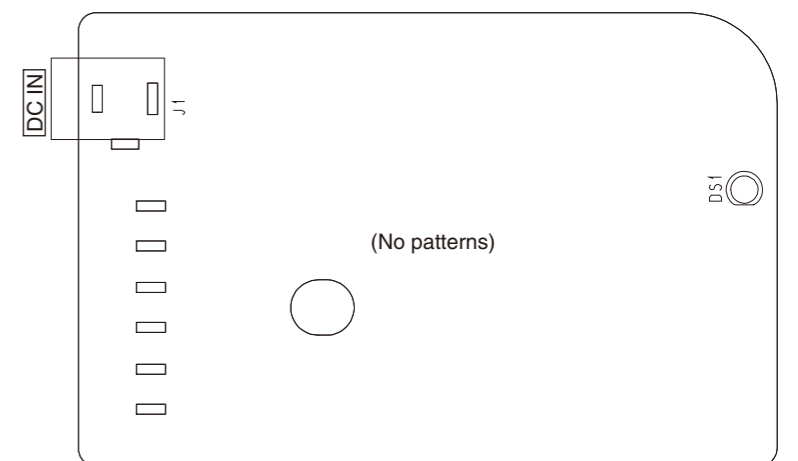
• FUSE UNIT (TOP VIEW)



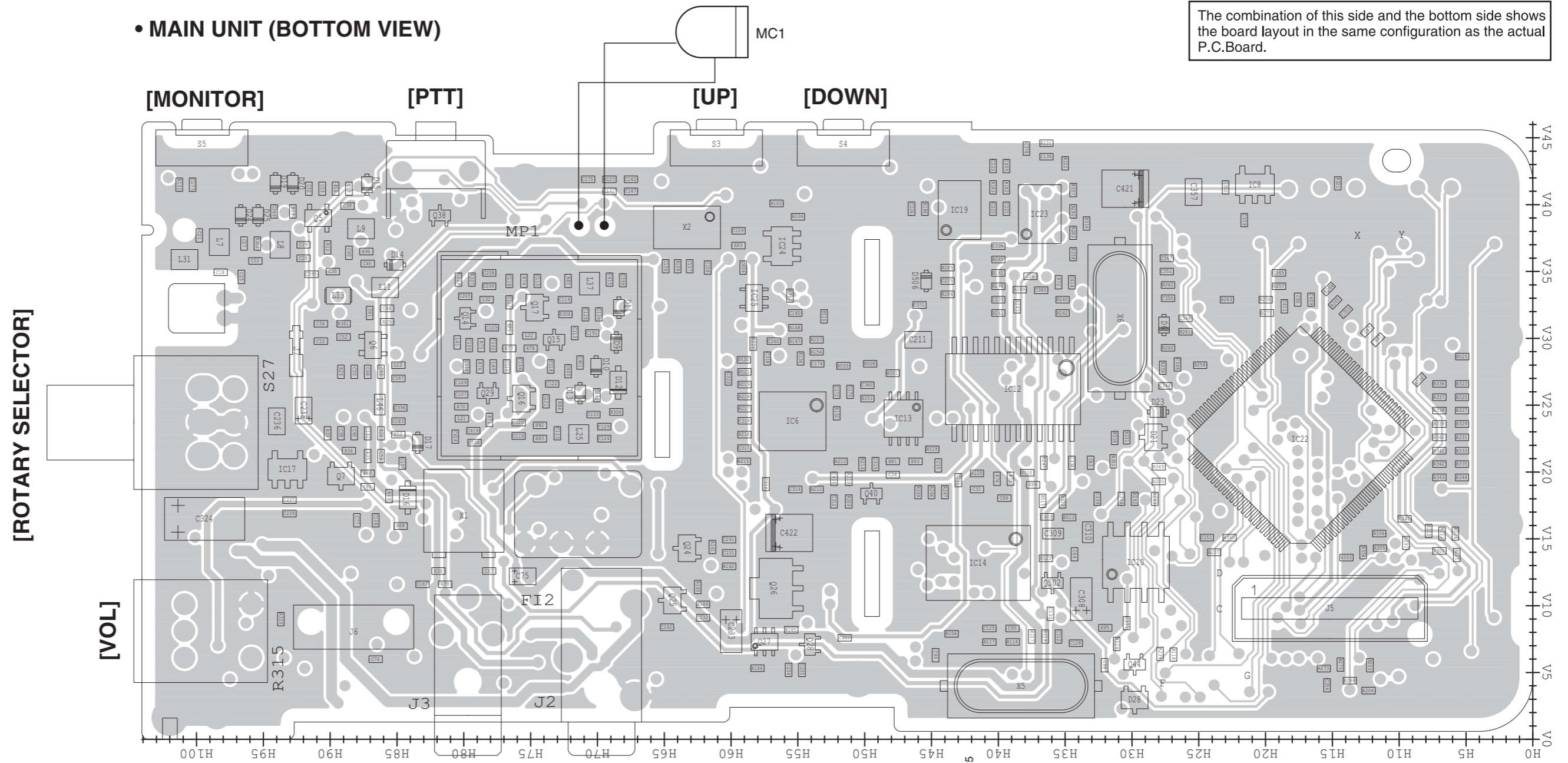
• ANT UNIT (TOP VIEW)



• BC-160 (TOP VIEW)



• MAIN UNIT (BOTTOM VIEW)



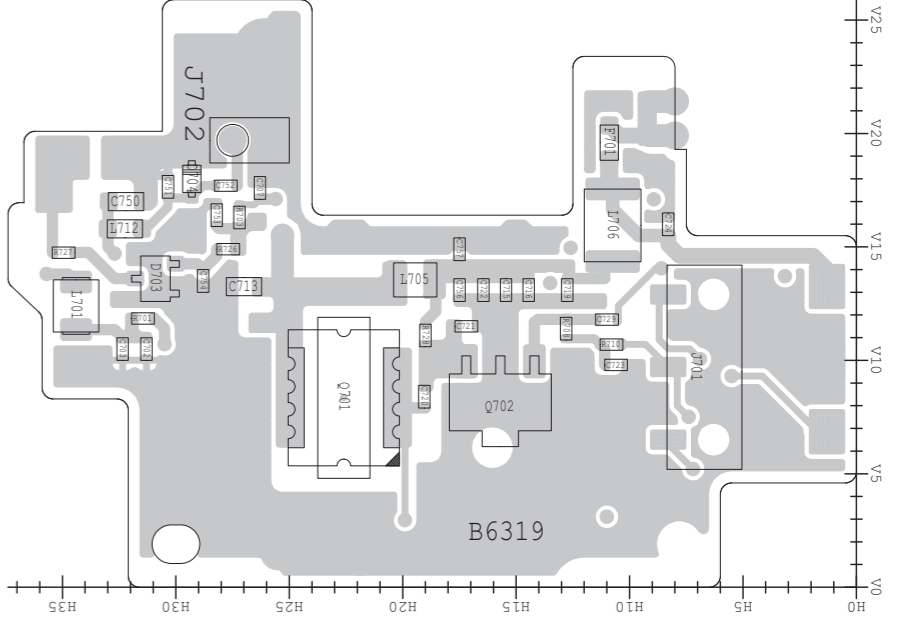
The combination of this side and the bottom side shows the board layout in the same configuration as the actual P.C.Board.

[ROTARY SELECTOR]

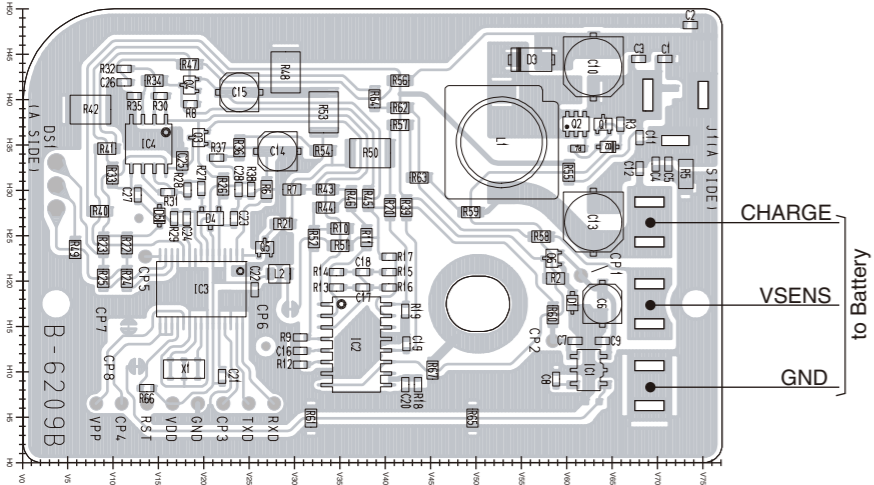
[VOL]

| | | | | | | | | | | | | | | |
|----|------|------|------|------|------|------|--------|--------|---------|--------|--------|--------|-------|-----|
| 15 | OPV1 | OPV2 | OPV3 | GND | OPT2 | OPT1 | SIGOUT | MDWN | BUSY | AUX | MICIN | MICOUT | PTTIN | 1 |
| 30 | SCK | SI | SO | CIRQ | CCS | REM | AFOUT | DISCIN | BEEMUTE | AFONOP | AFMUTE | VCC | +5V | GND |

• PA UNIT (BOTTOM VIEW)

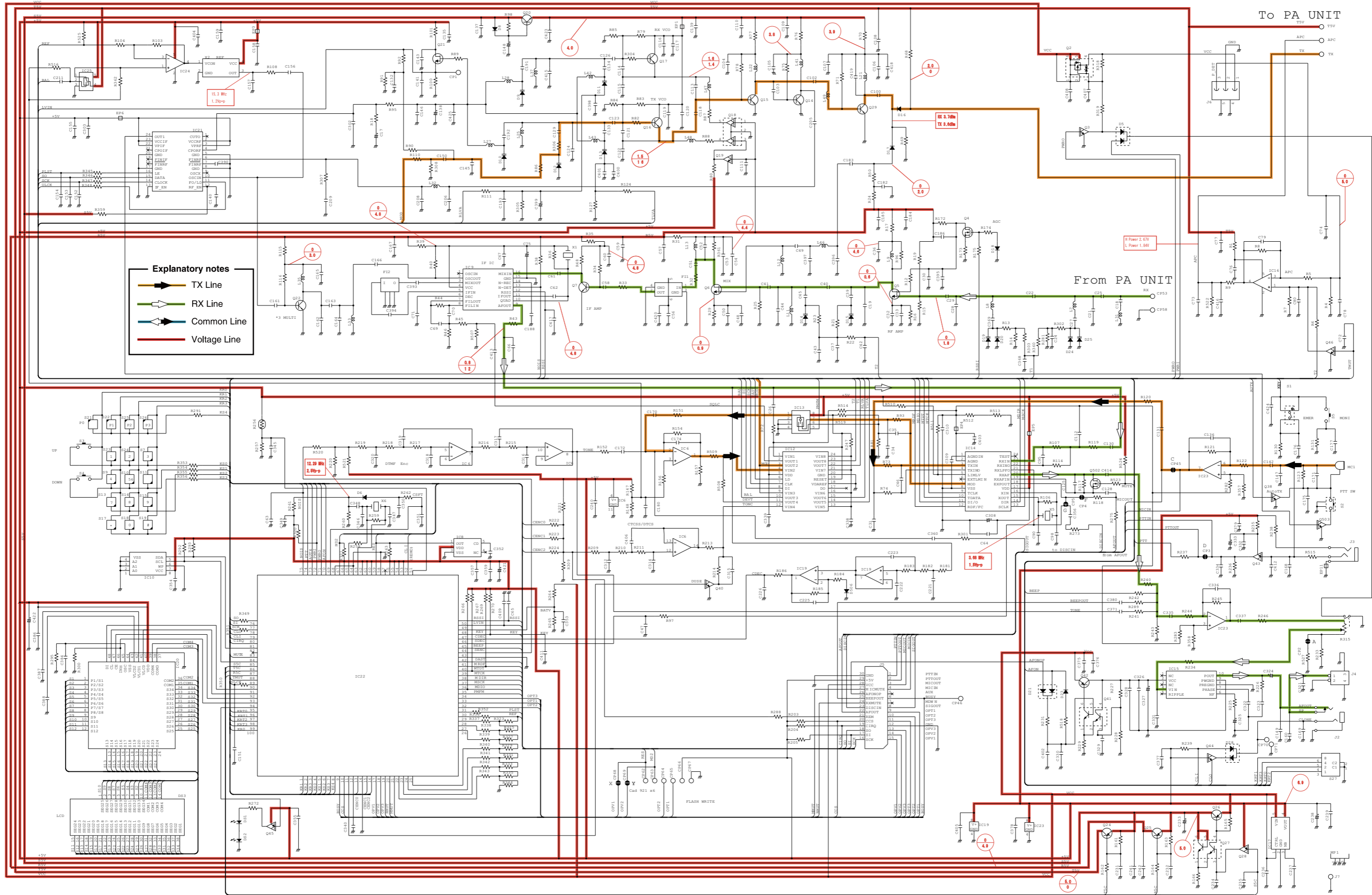


• BC-160 (BOTTOM VIEW)



VOLTAGE DIAGRAM

• MAIN UNIT

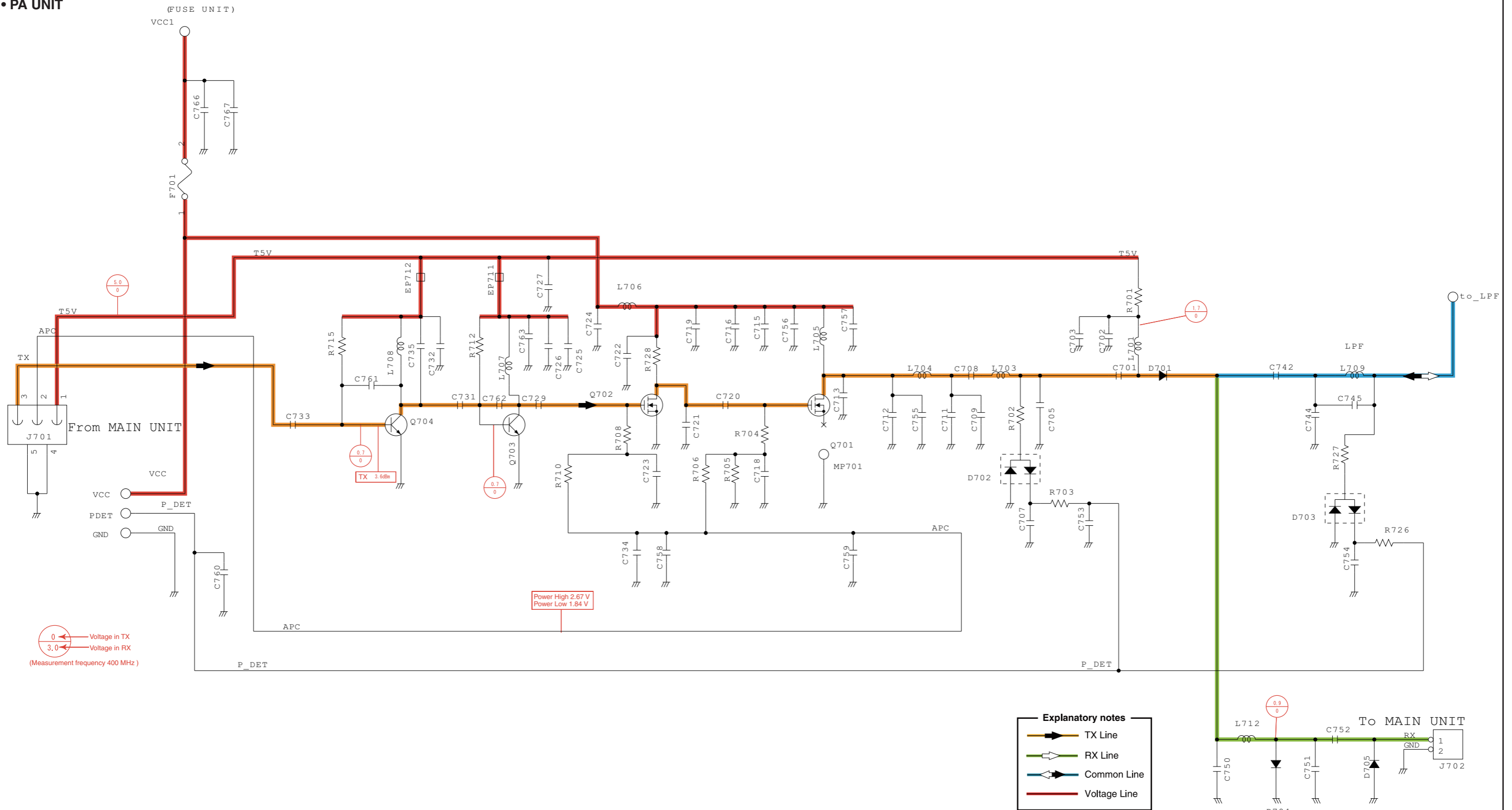


Explanatory notes

- TX Line
- RX Line
- Common Line
- Voltage Line

NOTE: Refer to "PARTS LIST" for the value or component name.

• PA UNIT



0 Voltage in TX
3.0 Voltage in RX
(Measurement frequency 400 MHz)

Explanatory notes

- TX Line
- RX Line
- Common Line
- Voltage Line

NOTE: Refer to "PARTS LIST" for the value or component name.

IC-F43GT/GS IC-F44GT/GS

CONTENTS

| | |
|-----------------------|---|
| PARTS LIST | 1 |
| BOARD LAYOUTS | 7 |
| VOLTAGE DIAGRAM | 9 |

| MODEL | VERSION | VERSION ABBREVIATION | FREQUENCY RANGE | CHANNEL SPACING |
|-----------------------|---------|----------------------|-----------------|--------------------|
| IC-F43GT (Ten-key) | MTG-01 | [2] | 400-470 MHz | 12.5/25.0 kHz |
| | USA-01 | [4] | | |
| | USA-02 | [5] | 450-512 MHz | |
| | USA-03 | [9] | 380-430 MHz | |
| | USA-04 | [12] | 400-470 MHz | |
| | GEN-01 | [6] | | |
| | GEN-02 | [7] | 450-520 MHz | |
| | AUS-02 | [10] | | |
| | CHN-01 | [11] | 400-470 MHz | |
| CHN-02 | [1] | | | |
| IC-F44GT (Ten-key) | SEA-01 | [13] | 400-470 MHz | 12.5/25.0 kHz |
| | MTE-01 | [3] | | 12.5/20.0/25.0 kHz |
| | EUR-01 | [8] | | |
| IC-F43GS (4-key) | MTG-01 | [15] | 400-470 MHz | 12.5/25.0 kHz |
| | USA-01 | [18] | | |
| | USA-02 | [19] | 450-512 MHz | |
| | USA-03 | [23] | 380-430 MHz | |
| | USA-04 | [25] | 400-470 MHz | |
| | GEN-01 | [20] | | |
| | GEN-02 | [21] | 450-520 MHz | |
| | AUS-02 | [24] | | |
| | MTG-02 | [16] | 400-470 MHz | |
| | CHN-01 | [26] | | |
| | CHN-02 | [14] | | |
| IC-F44GS (4-key) | MTE-01 | [17] | 400-470 MHz | 12.5/25.0 kHz |
| | EUR-01 | [22] | | 12.5/20.0/25.0 kHz |

PARTS LIST

[MAIN UNIT]

| REF NO. | PARTS NO. | DESCRIPTION | M. | H/V LOCATION |
|---------|------------|---|----|--------------|
| IC6 | 1110006350 | S.IC LM2902PWR | B | 55.4/23.8 |
| IC8 | 1110005771 | S.IC S-80942CNMC-G9CT2G | B | 20.8/41.5 |
| IC9 | 1110003201 | S.IC TA31136FNG (EL) | T | 81.5/17 |
| IC10 | 1130011581 | S.IC 24LC64T-1/SN G | B | 29.7/13.2 |
| IC12 | 1190001350 | S.IC M62364FP 600D | B | 38.9/26.2 |
| IC13 | 1130006221 | S.IC TC4W53FU (TE12L,F) | B | 47.1/24 |
| IC14 | 1110006221 | S.IC AK2346P-E2/P | B | 41.5/13.2 |
| IC15 | 1110001811 | S.IC TA7368FG (5,ER) | T | 97.3/15.4 |
| IC16 | 1110002751 | S.IC TA75S01F (TE85R,F) | T | 88.1/12.4 |
| IC17 | 1110005350 | S.IC NJM2870F05-TE1-#FZZB | B | 93.2/20.2 |
| IC19 | 1110006380 | S.IC LM2904PWR | B | 42.9/39.6 |
| IC20 | 1130009090 | S.IC LC75834W-TLM-E | T | 57.3/20.3 |
| IC21 | 1130010100 | S.IC LMX2352TMX/NOPB | T | 79.5/33.7 |
| IC22 | 1140011511 | S.IC HD64F2238BTF13V | B | 17.4/22.4 |
| IC23 | 1110006380 | S.IC LM2904PWR | B | 36.9/39.3 |
| IC24 | 1110002751 | S.IC TA75S01F (TE85R,F) | B | 56.2/36.9 |
| IC25 | 1130007021 | S.IC TC7S66FU (TE85L,F) | B | 58.2/33 |
| Q2 | 1590003321 | S.FET TPC6103 (TE85L,F) | T | 98.4/4.8 |
| Q3 | 1590003290 | S.STR UNR9213J-(TX) | T | 93.4/5 |
| Q4 | 1560000841 | S.FET 2SK1829 (TE85R,F) | T | 90.9/34.7 |
| Q5 | 1580000731 | S.FET 3SK293 (TE85L,F) | B | 90.9/39 |
| Q6 | 1580000760 | S.FET 3SK299-T1 U73 | B | 86.8/29.5 |
| Q7 | 1530002601 | S.STR 2SC4215-O (TE85R,F) | B | 89.2/19.7 |
| Q14 | 1530003260 | S.STR 2SC5006-T1 | B | 79.9/31.5 |
| Q15 | 1530003260 | S.STR 2SC5006-T1 | B | 73.2/29.9 |
| Q16 | 1530002920 | S.STR 2SC4226-T1 R25 | B | 75.7/25.5 |
| Q17 | 1530002920 | S.STR 2SC4226-T1 R25 | B | 74.7/32.3 |
| Q18 | 1590001400 | S.STR XP1214 (TX) | T | 71.3/32.1 |
| Q19 | 1590003290 | S.STR UNR9213J-(TX) | T | 71.4/29.7 |
| Q20 | 1530002851 | S.STR 2SC4116-BL (TE85R,F) | T | 86.5/25.8 |
| Q21 | 1560000541 | S.FET 2SK880-Y (T5RICOM,F) | T | 75/23.1 |
| Q22 | 1530002851 | S.STR 2SC4116-BL (TE85R,F) | T | 80.9/24.7 |
| Q24 | 1510000920 | S.STR 2SA1577 T106 Q | B | 63.3/14.3 |
| Q25 | 1510000920 | S.STR 2SA1577 T106 Q | B | 64.4/10.4 |
| Q26 | 1520000450 | S.STR 2SB1132 T100 Q | B | 56.6/11.3 |
| Q27 | 1590001190 | S.STR XP6501-(TX).AB | B | 57.5/7.3 |
| Q28 | 1590003230 | S.STR UNR9113J-(TX) | B | 54.1/7.1 |
| Q29 | 1530003260 | S.STR 2SC5006-T1 | B | 78.2/25.9 |
| Q38 | 1590003290 | S.STR UNR9213J-(TX) | B | 81.8/39.2 |
| Q40 | 1590003290 | S.STR UNR9213J-(TX) | B | 49.5/18.4 |
| Q41 | 1590001190 | S.STR XP6501-(TX).AB | T | 90.8/21.3 |
| Q42 | 1520000450 | S.STR 2SB1132 T100 Q | T | 89.3/17.2 |
| Q43 | 1590003380 | S.STR UNR9111J-(TX) | T | 77.7/4.9 |
| Q44 | 1590003270 | S.STR UNR9210J-(TX) | T | 29.8/5.6 |
| Q45 | 1590003230 | S.STR UNR9113J-(TX) | T | 54.6/4.5 |
| Q46 | 1590003290 | S.STR UNR9213J-(TX) | T | 84.9/10.5 |
| Q502 | 1560001360 | S.FET 2SK3019 TL | B | 35.9/11.7 |
| Q503 | 1590003290 | S.STR UNR9213J-(TX) | T | 81.6/42.6 |
| D5 | 1160000060 | S.DIO DAN202U T106 | T | 93.6/7.3 |
| D6 | 1790001260 | S.DIO MA2S077-(TX) | B | 27.6/31 |
| D8 | 1790001250 | S.DIO MA2S111-(TX) | T | 86.8/28.9 |
| D9 | 1750000711 | S.VCP HVC350BTRF-E | B | 68.6/29.7 |
| D10 | 1750000711 | S.VCP HVC350BTRF-E | B | 70.1/27.9 |
| D11 | 1750000711 | S.VCP HVC350BTRF-E | B | 68.4/32.3 |
| D12 | 1720000570 | S.VCP MA368 (TX) | B | 68.4/26.7 |
| D13 | 1750000711 | S.VCP HVC350BTRF-E | B | 71.3/25.9 |
| D14 | 1750000711 | S.VCP HVC350BTRF-E | B | 85.1/35.5 |
| D15 | 1750000711 | S.VCP HVC350BTRF-E | B | 87.2/41.5 |
| D16 | 1750000581 | S.DIO 1SV307 (TPH3,F) | B | 84.2/18.1 |
| D17 | 1790001260 | S.DIO MA2S077-(TX) | B | 83.4/22.2 |
| D18 | 1790001250 | S.DIO MA2S111-(TX) | T | 92.9/36.6 |
| D19 | 1750000711 | S.VCP HVC350BTRF-E | B | 94.1/41.6 |
| D20 | 1750000711 | S.VCP HVC350BTRF-E | B | 92.8/41.6 |
| D21 | 1160000060 | S.DIO DAN202U T106 | B | 28.4/22.6 |
| D23 | 1750000940 | S.DIO ISS400 TE61 | B | 28/24.5 |
| D24 | 1750000711 | S.VCP HVC350BTRF-E | B | 96.7/39.2 |
| D25 | 1750000711 | S.VCP HVC350BTRF-E | B | 95.4/39.2 |
| D28 | 1790001670 | S.DIO RB706F-40T106 | B | 29.8/2.9 |
| FI1 | 2030000150 | S.MLH FL-335 (46.350 MHz) | T | 91.3/27.1 |
| FI2 | 2030000340 | S.MLH FL-367 (47.250 MHz) | T | 91.3/27.1 |
| X1 | 6070000191 | S.DCR CDBKB450KCAY24-R0 | B | 80/16.9 |
| X2 | 6050011931 | S.XTL CR-781A (15.3 MHz) | B | 63.3/38.3 |
| X5 | 6050011730 | S.XTL CR-765 (3.6864 MHz) | B | 38.3/4 |
| X6 | 6050011830 | S.XTL CR-774 (12.288 MHz) | B | 30.9/31.5 |
| L7 | 6200007690 | S.COL LQW2BHN18NJ03L [5], [7], [10], [16], [19], [21], [24] | B | 98.3/37.2 |
| | 6200007700 | S.COL LQW2BHN22NJ03L [1], [2], [3], [4], [6], [8], [11], [12], [13], [14], [15], [17], [18], [20], [22], [25], [26] | B | 98.3/37.2 |
| | 6200007710 | S.COL LQW2BHN27NJ03L [9], [23] | B | 98.3/37.2 |

[MAIN UNIT]

| REF NO. | PARTS NO. | DESCRIPTION | M. | H/V LOCATION |
|---------|------------|---|----|--------------|
| L8 | 6200007690 | S.COL LQW2BHN18NJ03L [5], [7], [10], [16], [19], [21], [24] only | B | 93.7/37 |
| L9 | 6200007680 | S.COL LQW2BHN12NJ03L | B | 87.7/38.2 |
| L11 | 6200007680 | S.COL LQW2BHN12NJ03L | B | 85.9/33.8 |
| L12 | 6200007921 | S.COL ELJRF 15NJFB | B | 84.9/28 |
| L13 | 6200005510 | S.COL ELJND R27J-F | B | 89.4/33.2 |
| L21 | 6200007821 | S.COL ELJRF 15NJFB | B | 80.1/24 |
| L22 | 6200007901 | S.COL ELJRF 22NJFB | B | 75.1/30.2 |
| L25 | 6200012390 | S.COL 0.30-0.92-3TR 5.8N <COMO> | B | 71.4/22.8 |
| L27 | 6200004951 | S.COL NLV25T-1R8J | T | 70.5/24.4 |
| L28 | 6200012640 | S.COL ELJFC R82MH | T | 69/27.7 |
| L31 | 6200007720 | S.COL LQW2BHN33NJ03L | B | 100.9/35.9 |
| L32 | 6200007911 | S.COL ELJRF 18NJFB | B | 78.3/32.9 |
| L33 | 6200004480 | S.COL MLF1608D R82K-T | T | 81.1/22.5 |
| L35 | 6200003540 | S.COL MLF1608D R22K-T | T | 84.6/25.5 |
| L37 | 6200012400 | S.COL 0.30-0.91-4TL 8.6N | B | 70.6/34.1 |
| L41 | 6200007881 | S.COL ELJRF 33NJFB | B | 80.5/29.7 |
| L42 | 6200005461 | S.COL LL1608-FSL82NJ | T | 68.4/30.7 |
| L43 | 6200003550 | S.COL MLF1608A 4R7K-T [1], [2], [3], [10], [11], [12], [13], [14], [15], [16], [17], [24], [25], [26] | T | 73.1/24.7 |
| | 6200004660 | S.COL MLF1608A 1R8K-T [4], [5], [6], [7], [8], [9], [18], [19], [20], [21], [22], [23] | T | 73.1/24.7 |
| | 6200011860 | S.COL LQW18ANR47G00D | T | 73.1/24.7 |
| L46 | 6200007561 | S.COL LL1608-FHL15NJ [3], [17] | B | 86.3/25 |
| | 6200007581 | S.COL LL1608-FHL22NJ [10], [16] | B | 86.3/25 |
| | 6200007591 | S.COL LL1608-FHL27NJ [9], [11] | B | 86.3/25 |
| | 6200009280 | S.COL LQW18AN27NJ00D [1], [2], [13], [14], [15], [26] | B | 86.3/25 |
| L47 | 6200002790 | S.COL ELJFC R82M-F [4], [18] only | T | 71.2/34.5 |
| L48 | 6200002851 | S.COL NLV25T-R82J [1], [2], [3], [9], [10], [11], [12], [13], [14], [15], [16], [17], [25], [26] only | T | 74.3/28.4 |
| L49 | 6200007891 | S.COL ELJRF 27NJFB [1], [2], [3], [9], [11], [13], [14], [15], [17], [26] only | B | 77.8/27.9 |
| R1 | 7030004970 | S.RES ERJ2GEJ 470 X (47) | T | 87.4/14.6 |
| R4 | 7030008280 | S.RES ERJ2GEJ 271 X (270) | T | 87.5/7.8 |
| | | [4], [6], [9], [18], [20], [23] only | T | 87.5/7.8 |
| R5 | 7030005600 | S.RES ERJ2GEJ 273 X (27 k) | T | 86.2/8.6 |
| | | [4], [6], [18], [20] only | T | 86.2/8.6 |
| R6 | 7030005110 | S.RES ERJ2GEJ 224 X (220 k) | T | 86/15.7 |
| | | [4], [6], [18], [20] only | T | 86/15.7 |
| R7 | 7030005080 | S.RES ERJ2GEJ 823 X (82 k) | T | 85.5/13.4 |
| | | [1], [2], [3], [6], [8], [11], [12], [13], [14], [15], [17], [20], [22], [25], [26] | T | 85.5/13.4 |
| | 7030005100 | S.RES ERJ2GEJ 154 X (150 k) | T | 85.5/13.4 |
| | 7030005310 | S.RES ERJ2GEJ 124 X (120 k) | T | 85.5/13.4 |
| | | [4], [5], [7], [10], [16], [18], [19], [21], [24] | T | 85.5/13.4 |
| R8 | 7030005110 | S.RES ERJ2GEJ 224 X (220 k) | T | 88/10.2 |
| | | [4], [6], [9], [18], [20], [23] | T | 88/10.2 |
| R9 | 7030005230 | S.RES ERJ2GEJ 334 X (330 k) | T | 88/10.2 |
| | 7030005120 | S.RES ERJ2GEJ 102 X (1 k) | T | 90.5/12.3 |
| | | [4], [6], [18], [20] only | B | 90.2/36.8 |
| R12 | 7030005530 | S.RES ERJ2GEJ 100 X (10) | B | 92.8/39.5 |
| R13 | 7030005090 | S.RES ERJ2GEJ 104 X (100 k) | B | 93/40.1 |
| R14 | 7030005720 | S.RES ERJ2GEJ 563 X (56 k) | T | 91.6/38.9 |
| R15 | 7030005240 | S.RES ERJ2GEJ 473 X (47 k) | T | 89.6/41.2 |
| R16 | 7030004980 | S.RES ERJ2GEJ 101 X (100) | T | 89.1/37.7 |
| R17 | 7030004970 | S.RES ERJ2GEJ 470 X (47) | T | 77.2/28.8 |
| R18 | 7030005040 | S.RES ERJ2GEJ 472 X (4.7 k) | T | 91.1/37.6 |
| R19 | 7030005080 | S.RES ERJ2GEJ 823 X (82 k) | T | 87.6/38.7 |
| R21 | 7030005110 | S.RES ERJ2GEJ 224 X (220 k) | T | 88.6/38.9 |
| R22 | 7030005050 | S.RES ERJ2GEJ 103 X (10 k) | T | 86.5/35.6 |
| R23 | 7030005110 | S.RES ERJ2GEJ 224 X (220 k) | B | 86.2/22.9 |
| R24 | 7030005050 | S.RES ERJ2GEJ 103 X (10 k) | B | 85.7/31.2 |
| R25 | 7030005040 | S.RES ERJ2GEJ 472 X (4.7 k) | B | 89.2/27.5 |
| R29 | 7030007270 | S.RES ERJ2GEJ 151 X (150) | B | 89.2/33.8 |
| R31 | 7030004980 | S.RES ERJ2GEJ 101 X (100) | T | 92.2/31.9 |
| R32 | 7030010040 | S.RES ERJ2GEJ-JPW [6], [7], [20], [21] only | B | 90.2/22.9 |
| R33 | 7030007270 | S.RES ERJ2GEJ 151 X (150) | B | 90.2/22.9 |
| R34 | 7030005110 | S.RES ERJ2GEJ 331 X (330) | B | 88.6/21.6 |
| R35 | 7030004980 | S.RES ERJ2GEJ 224 X (220 k) | B | 87.2/21.2 |
| R36 | 7030005030 | S.RES ERJ2GEJ 101 X (100) | B | 81.9/12.6 |
| R38 | 7030005090 | S.RES ERJ2GEJ 152 X (1.5 k) | T | 81.8/12.2 |
| R39 | 7030004970 | S.RES ERJ2GEJ 104 X (100 k) | T | 81.4/11.6 |
| R40 | 7030007270 | S.RES ERJ2GEJ 470 X (47) | T | 81.8/21.3 |
| R43 | 7030004970 | S.RES ERJ2GEJ 151 X (150) | T | 77.8/14.1 |
| R44 | 7030005240 | S.RES ERJ2GEJ 473 X (47 k) | T | 77.9/21.3 |
| R45 | 7030008290 | S.RES ERJ2GEJ 183 X (18 k) | T | 77.2/17.4 |
| R46 | 7030005000 | S.RES ERJ2GEJ 471 X (470) | T | 76.6/20.7 |
| R48 | 7030005000 | S.RES ERJ2GEJ 471 X (470) | B | 87.2/19.9 |
| R50 | 7030004990 | S.RES ERJ2GEJ 221 X (220) | B | 84.9/22.8 |
| R68 | 7030005050 | S.RES ERJ2GEJ 103 X (10 k) | B | 84.7/15.9 |
| R69 | 7030005040 | S.RES ERJ2GEJ 472 X (4.7 k) | B | 85.6/18.2 |
| R70 | 7030005530 | S.RES ERJ2GEJ 100 X (10) | B | 80.2/24.9 |
| R71 | 7030005600 | S.RES ERJ2GEJ 273 X (27 k) | B | 78.1/23.9 |
| R72 | 7030005240 | S.RES ERJ2GEJ 473 X (47 k) | B | 35.5/34.2 |
| R73 | 7030008010 | S.RES ERJ2GEJ 123 X (12 k) | B | 39.1/19.5 |
| R74 | 7030006610 | S.RES ERJ2GEJ 394 X (390 k) | B | 40.1/19.5 |

M.=Mounted side (T: Mounted on the Top side, B: Mounted on the Bottom side)
S.=Surface mount

[MAIN UNIT]

| REF NO. | PARTS NO. | DESCRIPTION | M. | H/V LOCATION |
|---------|------------|-----------------------------|----|---|
| R75 | 7030005100 | S.RES ERJ2GEJ 154 X (150 k) | B | 78.7/29.5 |
| R76 | 7030004980 | S.RES ERJ2GEJ 101 X (100) | B | 78.8/27.9 |
| R77 | 7030004980 | S.RES ERJ2GEJ 101 X (100) | B | 76.6/29.2 |
| R78 | 7030005090 | S.RES ERJ2GEJ 104 X (100 k) | B | 75/29.2 |
| R79 | 7030006020 | S.RES RR0510P-682-D (6.8 k) | B | 75.5/34.3 |
| R80 | 7030005050 | S.RES ERJ2GEJ 103 X (10 k) | T | 74.4/30.6 |
| R81 | 7030005090 | S.RES ERJ2GEJ 104 X (100 k) | B | [4], [6], [18], [20] only 47.9/20.8 |
| R82 | 7030010040 | S.RES ERJ2GEJ-JPW | B | 74.3/23.5 |
| R83 | 7030006020 | S.RES RR0510P-682-D (6.8 k) | B | 74.3/22.5 |
| R84 | 7030006020 | S.RES RR0510P-682-D (6.8 k) | B | 72.8/24.9 |
| R85 | 7030006020 | S.RES RR0510P-682-D (6.8 k) | B | 72.2/34.3 |
| R86 | 7030005110 | S.RES ERJ2GEJ 224 X (220 k) | T | 68.8/21.8 |
| R87 | 7030005000 | S.RES ERJ2GEJ 471 X (470) | B | [3], [4], [17], [18] 69/34.6 |
| R88 | 7030008370 | S.RES ERJ2GEJ 561 X (560) | T | [3], [17] 69/34.6 |
| | 7030009270 | S.RES ERJ2GEJ 821 X (820) | T | [1], [2], [3], [11], [12], [13], [14], [15], [17], [25], [26] 73.1/30.9 |
| | 7030009280 | S.RES ERJ2GEJ 391 X | T | [9], [10], [16], [23], [24] 73.1/30.9 |
| R89 | 7030005050 | S.RES ERJ2GEJ 103 X (10 k) | T | 74.2/25.2 |
| R90 | 7030005170 | S.RES ERJ2GEJ 474 X (470 k) | T | 71.1/21 |
| R91 | 7030005070 | S.RES ERJ2GEJ 683 X (68 k) | T | 70.8/19.7 |
| R91 | 7030005240 | S.RES ERJ2GEJ 473 X (47 k) | T | 70.8/19.7 |
| R92 | 7030005310 | S.RES ERJ2GEJ 124 X (120 k) | T | 72.4/21.5 |
| R93 | 7030005060 | S.RES ERJ2GEJ 333 X (33 k) | B | 46.2/20.8 |
| R95 | 7030005000 | S.RES ERJ2GEJ 471 X (470) | T | 76.2/28.8 |
| R95 | 7030005030 | S.RES ERJ2GEJ 152 X (1.5 k) | T | 76.2/28.8 |
| R96 | 7030005120 | S.RES ERJ2GEJ 102 X (1 k) | B | [3], [8], [9], [17], [22], [23] 87.3/36.5 |
| | 7030005240 | S.RES ERJ2GEJ 473 X (47 k) | B | except [3], [8], [9], [10], [16], [17], [22], [23] 87.3/36.5 |
| R97 | 7030009270 | S.RES ERJ2GEJ 821 X (820) | B | [10], [16] 87.3/36.5 |
| R98 | 7030007290 | S.RES ERJ2GEJ 102 X (1 k) | B | 11.6/29.9 |
| R100 | 7030005040 | S.RES ERJ2GEJ 222 X (2.2 k) | T | 86.4/27.7 |
| | 7030005040 | S.RES ERJ2GEJ 472 X (4.7 k) | T | [4], [18] only 73.6/20.3 |
| R101 | 7030004990 | S.RES ERJ2GEJ 221 X (220) | T | [4], [18] only 75.1/25.9 |
| R103 | 7030005110 | S.RES ERJ2GEJ 224 X (220 k) | B | 56.6/40.1 |
| R104 | 7030005090 | S.RES ERJ2GEJ 104 X (100 k) | B | 55/39.1 |
| R106 | 7030005160 | S.RES ERJ2GEJ 105 X (1 M) | B | 43.5/7.9 |
| R107 | 7030005060 | S.RES ERJ2GEJ 333 X (33 k) | B | 37.5/7.7 |
| R108 | 7030005000 | S.RES ERJ2GEJ 471 X (470) | B | 64/35.4 |
| R110 | 7030005080 | S.RES ERJ2GEJ 823 X (82 k) | T | [9], [23] 70.7/16.9 |
| | 7030005090 | S.RES ERJ2GEJ 104 X (100 k) | T | [1], [2], [3], [4], [5], [6], [7], [8], [10], [11], [12], [13], [14], [15], [16], [17], [18], [19], [20], [21], [22], [24], [25], [26] 70.7/16.9 |
| R111 | 7030005170 | S.RES ERJ2GEJ 474 X (470 k) | T | 66.9/32.4 |
| R114 | 7030005080 | S.RES ERJ2GEJ 823 X (82 k) | B | 38.9/7.3 |
| R115 | 7030007570 | S.RES ERJ2GEJ 122 X (1.2 k) | T | 85.5/23.4 |
| R116 | 7030007060 | S.RES ERJ2GEJ 684X (680 k) | T | 83.2/26.3 |
| R117 | 7030005160 | S.RES ERJ2GEJ 105 X (1 M) | B | 40.6/7.2 |
| R118 | 7030005110 | S.RES ERJ2GEJ 224 X (220 k) | B | 26.9/6.3 |
| R119 | 7030005240 | S.RES ERJ2GEJ 473 X (47 k) | B | 36.5/7.7 |
| R120 | 7030005240 | S.RES ERJ2GEJ 473 X (47 k) | B | 41.6/19.9 |
| R121 | 7030005110 | S.RES ERJ2GEJ 224 X (220 k) | B | 36.4/44.6 |
| R121 | 7030005230 | S.RES ERJ2GEJ 334 X (330 k) | B | 36.4/44.6 |
| R122 | 7030005070 | S.RES ERJ2GEJ 683 X (68 k) | B | 35/43.1 |
| R123 | 7030005060 | S.RES ERJ2GEJ 333 X (33 k) | B | 70.3/41.9 |
| R124 | 7030005170 | S.RES ERJ2GEJ 474 X (470 k) | T | 71.4/22.3 |
| R124 | 7030006610 | S.RES ERJ2GEJ 394 X (390 k) | T | 71.4/22.3 |
| R127 | 7030008300 | S.RES ERJ2GEJ 184 X (180 k) | T | [4], [5], [6], [7], [8], [18], [19], [20], [21], [22] only 70/22.6 |
| R130 | 7030007300 | S.RES ERJ2GEJ 332 X (3.3 k) | T | 99.4/35.2 |
| R131 | 7030005050 | S.RES ERJ2GEJ 103 X (10 k) | B | 101.3/41.5 |
| R147 | 7030005090 | S.RES ERJ2GEJ 104 X (100 k) | B | 55.2/29.8 |
| R148 | 7030005070 | S.RES ERJ2GEJ 683 X (68 k) | B | 55.2/30.8 |
| R151 | 7030005240 | S.RES ERJ2GEJ 473 X (47 k) | B | 49.8/25.5 |
| R152 | 7030005700 | S.RES ERJ2GEJ 274 X (270 k) | B | [4], [18] only 52.1/24.4 |
| R154 | 7030005310 | S.RES ERJ2GEJ 124 X (120 k) | B | 53.6/29 |
| R156 | 7030010040 | S.RES ERJ2GEJ-JPW | B | 54.8/28.5 |
| R157 | 7030005050 | S.RES ERJ2GEJ 103 X (10 k) | B | 53.6/29.9 |
| R161 | 7030005050 | S.RES ERJ2GEJ 103 X (10 k) | B | 61.4/14.4 |
| R162 | 7030005040 | S.RES ERJ2GEJ 472 X (4.7 k) | B | 60.1/12.9 |
| R163 | 7030005050 | S.RES ERJ2GEJ 103 X (10 k) | B | 62.5/11.4 |
| R164 | 7030005040 | S.RES ERJ2GEJ 472 X (4.7 k) | B | 62.1/10.1 |
| R165 | 7030005050 | S.RES ERJ2GEJ 103 X (10 k) | B | 55.5/8.2 |
| R166 | 7030007290 | S.RES ERJ2GEJ 222 X (2.2 k) | B | 58/5.3 |
| R172 | 7030005050 | S.RES ERJ2GEJ 103 X (10 k) | T | 89.1/35.9 |
| R173 | 7030008400 | S.RES ERJ2GEJ 182 X (1.8 k) | T | 91.1/36.6 |
| R174 | 7030005170 | S.RES ERJ2GEJ 474 X (470 k) | T | 92.9/34.4 |
| R175 | 7030005110 | S.RES ERJ2GEJ 224 X (220 k) | T | 92.4/32.9 |
| R181 | 7030005220 | S.RES ERJ2GEJ 223 X (22 k) | B | 40/34.9 |
| R182 | 7030005220 | S.RES ERJ2GEJ 223 X (22 k) | B | 39.4/41.3 |
| R183 | 7030005220 | S.RES ERJ2GEJ 223 X (22 k) | B | 40.4/41.3 |
| R184 | 7030007300 | S.RES ERJ2GEJ 332 X (3.3 k) | B | [4], [5], [6], [7], [8], [18], [19], [20], [21], [22] only 43.8/33.3 |
| R185 | 7030005290 | S.RES ERJ2GEJ 682 X (6.8 k) | B | [4], [5], [6], [7], [8], [18], [19], [20], [21], [22] only 43.8/35.3 |
| R186 | 7030005000 | S.RES ERJ2GEJ 471 X (470) | B | 45.5/39.7 |
| R203 | 7030005110 | S.RES ERJ2GEJ 224 X (220 k) | B | 12.2/5.5 |
| R204 | 7030005090 | S.RES ERJ2GEJ 104 X (100 k) | B | 12.3/3.6 |
| R205 | 7030005090 | S.RES ERJ2GEJ 104 X (100 k) | B | 28/19.3 |
| R209 | 7030005240 | S.RES ERJ2GEJ 473 X (47 k) | B | 51.2/17.8 |
| R210 | 7030005240 | S.RES ERJ2GEJ 473 X (47 k) | B | 51.2/19.5 |

[MAIN UNIT]

| REF NO. | PARTS NO. | DESCRIPTION | M. | H/V LOCATION |
|---------|------------|-----------------------------|------------|--|
| R211 | 7030005240 | S.RES ERJ2GEJ 473 X (47 k) | B | 53.6/18.7 |
| R213 | 7030005040 | S.RES ERJ2GEJ 472 X (4.7 k) | B | 51.8/20.8 |
| R214 | 7030005240 | S.RES ERJ2GEJ 473 X (47 k) | B | 50.2/20.6 |
| R215 | 7030005070 | S.RES ERJ2GEJ 683 X (68 k) | B | 59/20.7 |
| R216 | 7030005070 | S.RES ERJ2GEJ 683 X (68 k) | B | 59/22.8 |
| R217 | 7030005070 | S.RES ERJ2GEJ 683 X (68 k) | B | 59/24.7 |
| R218 | 7030005070 | S.RES ERJ2GEJ 683 X (68 k) | B | 59/25.6 |
| R219 | 7030007350 | S.RES ERJ2GEJ 393 X (39 k) | B | [4], [18] only 59/26.5 |
| R220 | 7030005220 | S.RES ERJ2GEJ 223 X (22 k) | B | [4], [18] only 58.3/29.6 |
| R221 | 7030005220 | S.RES ERJ2GEJ 223 X (22 k) | B | 5.7/13.8 |
| R222 | 7030008300 | S.RES ERJ2GEJ 184 X (180 k) | B | 7.8/15.6 |
| R223 | 7030005720 | S.RES ERJ2GEJ 563 X (56 k) | B | 6.8/15.4 |
| R224 | 7030005220 | S.RES ERJ2GEJ 223 X (22 k) | B | 5.8/15.4 |
| R225 | 7030007260 | S.RES ERJ2GEJ 330 X (33 k) | T | 101.4/18.8 |
| R226 | 7030005530 | S.RES ERJ2GEJ 100 X (10) | T | 94.5/18.8 |
| R227 | 7030009140 | S.RES ERJ2GEJ 272 X (2.7 k) | T | 89/20.8 |
| R228 | 7030007300 | S.RES ERJ2GEJ 332 X (3.3 k) | T | 88.6/22.3 |
| R229 | 7030005120 | S.RES ERJ2GEJ 102 X (1 k) | T | 92.9/22.1 |
| R231 | 7030005100 | S.RES ERJ2GEJ 154 X (150 k) | B | 30.4/22.6 |
| R233 | 7030004980 | S.RES ERJ2GEJ 101 X (100) | T | 98.4/10.3 |
| R234 | 7030005530 | S.RES ERJ2GEJ 100 X (10) | T | 100.7/12.4 |
| R235 | 7030005000 | S.RES ERJ2GEJ 471 X (470) | T | 83.5/5 |
| R236 | 7030005090 | S.RES ERJ2GEJ 104 X (100 k) | T | 75.7/4.3 |
| R237 | 7030005530 | S.RES ERJ2GEJ 100 X (10) | B | 23.8/14 |
| R238 | 7030000340 | MCR10EZHJ 470 Except [CHN] | | |
| | 7520000270 | S.RES PRG21BC4R7MM1RA | [CHN] only | 83/8.4 |
| R239 | 7030007340 | S.RES ERJ2GEJ 153 X (15 k) | B | 27.9/6.4 |
| R240 | 7030005210 | S.RES ERJ2GEJ 822 X (8.2 k) | B | 35.2/32.9 |
| R241 | 7030005110 | S.RES ERJ2GEJ 224 X (220 k) | B | 40/31.9 |
| R242 | 7030005230 | S.RES ERJ2GEJ 334 X (330 k) | B | 35.2/31.9 |
| R243 | 7030005040 | S.RES ERJ2GEJ 472 X (4.7 k) | B | 38.6/32.4 |
| R244 | 7030005210 | S.RES ERJ2GEJ 822 X (8.2 k) | B | 40/33.9 |
| R245 | 7030005070 | S.RES ERJ2GEJ 683 X (68 k) | B | 40/35.9 |
| R246 | 7030008290 | S.RES ERJ2GEJ 183 X (18 k) | T | 98.5/8.1 |
| R247 | 7030005000 | S.RES ERJ2GEJ 471 X (470) | B | 36.6/20.7 |
| R256 | 7510001730 | S.TMR ERTJJOEP 473J | B | 20/32.9 |
| R257 | 7030005090 | S.RES ERJ2GEJ 104 X (100 k) | B | 19/33.9 |
| R258 | 7030005530 | S.RES ERJ2GEJ 100 X (10) | B | 24.9/28 |
| R259 | 7030005160 | S.RES ERJ2GEJ 105 X (1 M) | B | 27.7/27.8 |
| R260 | 7030008010 | S.RES ERJ2GEJ 123 X (12 k) | B | 27.3/29.3 |
| R261 | 7030008010 | S.RES ERJ2GEJ 123 X (12 k) | B | 26/30.5 |
| R262 | 7030008010 | S.RES ERJ2GEJ 123 X (12 k) | B | 27.3/34 |
| R263 | 7030005090 | S.RES ERJ2GEJ 104 X (100 k) | B | 22.9/32.9 |
| R264 | 7030006010 | S.RES RR0510P-472-D (4.7 k) | B | 15.3/33.7 |
| R265 | 7030006010 | S.RES RR0510P-472-D (4.7 k) | B | 14.8/32.7 |
| R266 | 7030005090 | S.RES ERJ2GEJ 104 X (100 k) | B | 45/18.5 |
| R267 | 7030005090 | S.RES ERJ2GEJ 104 X (100 k) | B | 44/18.5 |
| R269 | 7030005090 | S.RES ERJ2GEJ 104 X (100 k) | B | 46/18.5 |
| R270 | 7030007290 | S.RES ERJ2GEJ 222 X (2.2 k) | B | 19.9/31.9 |
| R272 | 7030004980 | S.RES ERJ2GEJ 101 X (100) | T | 56.3/4.4 |
| R273 | 7030010040 | S.RES ERJ2GEJ-JPW | B | [4], [7], [8], [18], [20], [21], [22] only 15.6/5.3 |
| R275 | 7030005110 | S.RES ERJ2GEJ 224 X (220 k) | B | 14.4/5.6 |
| R281 | 7030005720 | S.RES ERJ2GEJ 563 X (56 k) | T | 95/37.6 |
| R282 | 7030005090 | S.RES ERJ2GEJ 104 X (100 k) | B | 34.4/39.5 |
| R283 | 7030005090 | S.RES ERJ2GEJ 104 X (100 k) | B | 34.4/37.9 |
| R288 | 7030005040 | S.RES ERJ2GEJ 472 X (4.7 k) | B | 13.7/4.4 |
| R289 | 7030005090 | S.RES ERJ2GEJ 104 X (100 k) | B | 38.4/33.6 |
| R291 | 7030005120 | S.RES ERJ2GEJ 102 X (1 k) | B | 9.5/14.7 |
| R292 | 7030005090 | S.RES ERJ2GEJ 104 X (100 k) | B | 29.8/18 |
| R293 | 7030005050 | S.RES ERJ2GEJ 103 X (10 k) | B | 28.3/18 |
| R295 | 7030005240 | S.RES ERJ2GEJ 473 X (47 k) | T | 62.1/14.1 |
| R300 | 7030005090 | S.RES ERJ2GEJ 104 X (100 k) | T | 61.7/16.4 |
| R301 | 7030005070 | S.RES ERJ2GEJ 683 X (68 k) | B | 47.9/27.4 |
| R302 | 7030005090 | S.RES ERJ2GEJ 104 X (100 k) | B | 95.4/37.1 |
| R303 | 7030005050 | S.RES ERJ2GEJ 103 X (10 k) | T | 95.5/40.6 |
| R304 | 7030010040 | S.RES ERJ2GEJ-JPW | B | 72.4/31.8 |
| R305 | 7030008300 | S.RES ERJ2GEJ 184 X (180 k) | T | 66.9/33.4 |
| R306 | 7030005530 | S.RES ERJ2GEJ 100 X (10) | B | 68.6/24.5 |
| R307 | 7030005580 | S.RES ERJ2GEJ 560 X (56) | B | 79.4/34.4 |
| R308 | 7030005050 | S.RES ERJ2GEJ 103 X (10 k) | T | [5], [10], [16], [19], [24] 71.7/16.9 |
| | 7030007340 | S.RES ERJ2GEJ 153 X (15 k) | T | [5], [6], [10], [16], [19], [23], [24] 71.7/16.9 |
| R309 | 7030005050 | S.RES ERJ2GEJ 103 X (10 k) | B | [9], [23] 7/4.1 |
| R315 | 7210003061 | VAR TP76N00N-15F-A103-2251A | | [4], [7], [8], [18], [20], [21], [22] only |
| R318 | 7030005700 | S.RES ERJ2GEJ 274 X (270 k) | T | 95.9/3.9 |
| R319 | 7030005090 | S.RES ERJ2GEJ 104 X (100 k) | T | 94.3/3.4 |
| R320 | 7030005090 | S.RES ERJ2GEJ 104 X (100 k) | B | 93.7/9 |
| R321 | 7030005090 | S.RES ERJ2GEJ 104 X (100 k) | B | 14.6/41.6 |
| R323 | 7030005050 | S.RES ERJ2GEJ 103 X (10 k) | B | 5.3/26.6 |
| R325 | 7030005050 | S.RES ERJ2GEJ 103 X (10 k) | B | 5.3/25.6 |
| R327 | 7030005050 | S.RES ERJ2GEJ 103 X (10 k) | B | 5.3/24.6 |
| R329 | 7030005050 | S.RES ERJ2GEJ 103 X (10 k) | B | 5.3/23.6 |
| R331 | 7030005050 | S.RES ERJ2GEJ 103 X (10 k) | B | 5.3/22.6 |
| R333 | 7030005050 | S.RES ERJ2GEJ 103 X (10 k) | B | 5.3/21.6 |
| R335 | 7030005050 | S.RES ERJ2GEJ 103 X (10 k) | B | 5.3/20.6 |
| R336 | 7030009710 | S.RES ERJ2GEJ 203 X (20 k) | B | 7/26.6 |
| R337 | 7030009710 | S.RES ERJ2GEJ 203 X (20 k) | B | 7/25.6 |
| R338 | 7030009710 | S.RES ERJ2GEJ 203 X (20 k) | B | 7/24.6 |
| R339 | 7030009710 | S.RES ERJ2GEJ 203 X (20 k) | B | 7/23.6 |
| R340 | 7030009710 | S.RES ERJ2GEJ 203 X (20 k) | B | 7/22.6 |
| R341 | 7030009710 | S.RES ERJ2GEJ 203 X (20 k) | B | 7/21.6 |
| R342 | 7030009710 | S.RES ERJ2GEJ 203 X (20 k) | B | 7/20.6 |
| R343 | 7030009710 | S.RES ERJ2GEJ 203 X (20 k) | B | 7/19.6 |

[MAIN UNIT]

| REF NO. | PARTS NO. | DESCRIPTION | M. | H/V LOCATION |
|---------|------------|--|----|--------------|
| R348 | 7030005120 | S.RES ERJ2GEJ 102 X (1 k) | T | 84.1/33.2 |
| R349 | 7030005120 | S.RES ERJ2GEJ 102 X (1 k) | B | 28/20.4 |
| R350 | 7030005120 | S.RES ERJ2GEJ 102 X (1 k) | B | 22.7/15.1 |
| R351 | 7030005120 | S.RES ERJ2GEJ 102 X (1 k) | B | 31.4/20.8 |
| R352 | 7030005120 | S.RES ERJ2GEJ 102 X (1 k) | B | 8.5/26.9 |
| R353 | 7030005120 | S.RES ERJ2GEJ 102 X (1 k) | B | 13.9/13.6 |
| R354 | 7030005120 | S.RES ERJ2GEJ 102 X (1 k) | B | 12.7/14 |
| R355 | 7030005120 | S.RES ERJ2GEJ 102 X (1 k) | B | 11.4/14.3 |
| R356 | 7030005120 | S.RES ERJ2GEJ 102 X (1 k) | B | 11.5/15.4 |
| R357 | 7030006610 | S.RES ERJ2GEJ 394 X (390 k) | B | 34.4/41.1 |
| R358 | 7030006610 | S.RES ERJ2GEJ 394 X (390 k) | B | 34.4/36.3 |
| R359 | 7030010040 | S.RES ERJ2GEJ-JPW | T | 84/30.6 |
| R360 | 7030005050 | S.RES ERJ2GEJ 103 X (10 k) | T | 95.5/39.6 |
| R361 | 7030008370 | S.RES ERJ2GEJ 561 X (560) | T | |
| | | [4], [6], [7], [18], [20], [21] only | B | 89/31.1 |
| R362 | 7030005090 | S.RES ERJ2GEJ 104 X (100 k) | B | 55.5/33.1 |
| R507 | 7030005120 | S.RES ERJ2GEJ 102 X (1 k) | T | 76.2/17.4 |
| R508 | 7030005040 | S.RES ERJ2GEJ 472 X (4.7 k) | B | 49.6/28.1 |
| R509 | 7030005040 | S.RES ERJ2GEJ 472 X (4.7 k) | B | 51.6/27.9 |
| R510 | 7030005240 | S.RES ERJ2GEJ 473 X (47 k) | B | 37.8/19.9 |
| R511 | 7030005210 | S.RES ERJ2GEJ 822 X (8.2 k) | B | 36.7/17.8 |
| R512 | 7030005210 | S.RES ERJ2GEJ 822 X (8.2 k) | B | 35.2/17.8 |
| R513 | 7030005240 | S.RES ERJ2GEJ 473 X (47 k) | B | 34.7/16.6 |
| R514 | 7030005090 | S.RES ERJ2GEJ 104 X (100 k) | B | 33.4/38.6 |
| R515 | 7030005120 | S.RES ERJ2GEJ 102 X (1 k) | T | 75.7/7 |
| R516 | 7030005090 | S.RES ERJ2GEJ 104 X (100 k) | B | 53/31.6 |
| R518 | 7030005230 | S.RES ERJ2GEJ 334 X (330 k) | B | 31.3/22.5 |
| R519 | 7030005090 | S.RES ERJ2GEJ 104 X (100 k) | B | |
| | | [4], [6], [18], [20] only | B | 44.9/21.7 |
| R520 | 7030008010 | S.RES ERJ2GEJ 123 X (12 k) | B | |
| | | [4], [18] only | B | 59/28.4 |
| R521 | 7030005090 | S.RES ERJ2GEJ 104 X (100 k) | B | |
| | | [4], [18] only | B | 59/27.5 |
| R522 | 7030005050 | S.RES ERJ2GEJ 103 X (10 k) | T | 92.1/12.3 |
| R523 | 7030005120 | S.RES ERJ2GEJ 102 X (1 k) [4], [18] only | B | 36.4/13.5 |
| R524 | 7030005090 | S.RES ERJ2GEJ 104 X (100 k) | B | |
| | | [4], [18] only | B | 31.1/7.1 |
| R525 | 7030010040 | S.RES ERJ2GEJ-JPW | B | 5.2/28.6 |
| | | [5], [7], [10], [16], [19], [21], [24] only | B | |
| R527 | 7030010040 | S.RES ERJ2GEJ-JPW | T | 93.9/9 |
| | | [1], [2], [3], [9], [10], [11], [12], [13], [14], [15], [16], [17], [25], [26] only | T | |
| C17 | 4550007120 | S.TAN F92 1D 224MPA | T | 78/26.3 |
| C18 | 4030017510 | S.CER ECJ0EC1H0680J | B | 98.2/34.9 |
| C19 | 4030017350 | S.CER ECJ0EC1H020B | B | |
| | | [1], [2], [3], [4], [6], [8], [11], [12], [13], [14], [15], [17], [18], [20], [22], [25], [26] | B | 88.6/41.2 |
| | 4030017380 | S.CER ECJ0EC1H050B | B | 88.6/41.2 |
| | 4030017520 | S.CER ECJ0EC1H0R3B | B | |
| | | [5], [7], [10], [16], [19], [21], [24] | B | 88.6/41.2 |
| | 4030017570 | S.CER ECJ0EC1H040B | B | 88.6/41.2 |
| | 4030017580 | S.CER ECJ0EC1H060C | B | |
| | | [3], [9], [17], [23] | B | 99.8/37.7 |
| | 4030017590 | S.CER ECJ0EC1H070C | B | |
| | | except [3], [9], [17], [23] | B | 99.8/37.7 |
| C22 | 4030017350 | S.CER ECJ0EC1H020B | B | 95.6/35.8 |
| C24 | 4030017460 | S.CER ECJ0EB1E102K | T | 95/38.6 |
| C25 | 4030017380 | S.CER ECJ0EC1H050B | B | 96.6/34.6 |
| | 4030017570 | S.CER ECJ0EC1H040B | B | |
| | | [5], [7], [10], [16], [19], [21], [24] | B | 96.6/34.6 |
| | 4030017580 | S.CER ECJ0EC1H060C | B | |
| | | [5], [7], [9], [10], [16], [19], [21], [23], [24] | B | 96.6/34.6 |
| C26 | 4030017460 | S.CER ECJ0EB1E102K | B | 37.6/34.6 |
| C27 | 4030017400 | S.CER ECJ0EC1H220J | B | |
| | | [5], [7], [10], [16], [19], [21], [24] | B | 96.4/37.1 |
| | 4030017650 | S.CER ECJ0EC1H270J | B | 96.4/37.1 |
| | 4030017660 | S.CER ECJ0EC1H330J | B | |
| | | [5], [7], [9], [10], [16], [19], [21], [23], [24] | B | 96.4/37.1 |
| C28 | 4030017380 | S.CER ECJ0EC1H050B | B | 92/36 |
| | 4030017580 | S.CER ECJ0EC1H060C | B | 92/36 |
| | 4030017590 | S.CER ECJ0EC1H070C | B | |
| | | [3], [9], [17], [23] | B | 92/36 |
| C29 | 4030017620 | S.CER ECJ0EC1H100C | B | |
| | | [5], [7], [10], [16], [19], [21], [23], [24] | B | 92/37 |
| | 4030017640 | S.CER ECJ0EC1H150J | B | |
| | | except [5], [7], [10], [16], [19], [21], [24] | B | 92/37 |
| C30 | 4030017460 | S.CER ECJ0EB1E102K | B | 89.8/35 |
| C31 | 4030017910 | S.CER ECJ0EB1H152K | B | 41.6/18.7 |
| C32 | 4030017460 | S.CER ECJ0EB1E102K | B | 91.6/41.2 |
| C33 | 4030017420 | S.CER ECJ0EC1H470J | B | 90.6/41.2 |
| C34 | 4030017460 | S.CER ECJ0EB1E102K | B | 47.9/19.8 |
| C34 | 4030018820 | S.CER ECJ0EB1H561K | B | 47.9/19.8 |
| C35 | 4030017760 | S.CER ECJ0EB1H222K | B | 44.5/20.5 |
| C36 | 4030017460 | S.CER ECJ0EB1E102K | T | 87.8/36.2 |
| C37 | 4030017460 | S.CER ECJ0EB1E102K | T | 86.5/37.6 |
| C39 | 4030017620 | S.CER ECJ0EC1H100C | B | 88.7/39.9 |
| C39 | 4030017640 | S.CER ECJ0EC1H150J | B | 88.7/39.9 |
| C40 | 4030017520 | S.CER ECJ0EC1H0R3B | B | |
| | | [5], [7], [10], [16], [19], [21], [23], [24] | B | 88.6/36.4 |
| | 4030017530 | S.CER ECJ0EC1H0R5B | B | |
| | | except [5], [7], [10], [16], [19], [21], [24] | B | 88.6/36.4 |
| C41 | 4030017640 | S.CER ECJ0EC1H150J | B | 87/31.9 |
| C42 | 4030017460 | S.CER ECJ0EB1E102K | T | 89.1/40.2 |

[MAIN UNIT]

| REF NO. | PARTS NO. | DESCRIPTION | M. | H/V LOCATION |
|---------|------------|---|----|--------------|
| C43 | 4030017460 | S.CER ECJ0EB1E102K | T | 86.5/36.6 |
| C44 | 4030017380 | S.CER ECJ0EC1H050B | B | 85.7/32.2 |
| C45 | 4030017620 | S.CER ECJ0EC1H100C | B | 87.2/35.6 |
| | 4030017630 | S.CER ECJ0EC1H120J | B | 87.2/35.6 |
| C46 | 4030017420 | S.CER ECJ0EC1H470J | B | 39.5/18 |
| C47 | 4030016970 | S.CER ECJ0EB1C223K | B | 12.4/30.6 |
| C48 | 4030017400 | S.CER ECJ0EC1H220J | B | 87.2/27.5 |
| C49 | 4030017350 | S.CER ECJ0EC1H020B | B | |
| | | [5], [7], [10], [16], [19], [21], [24] | B | 86.2/27.5 |
| | 4030017380 | S.CER ECJ0EC1H050B | B | |
| | | except [5], [7], [9], [10], [16], [19], [21], [23], [24] | B | 86.2/27.5 |
| | 4030017630 | S.CER ECJ0EB1H120J | B | 86.2/27.5 |
| C50 | 4030017460 | S.CER ECJ0EB1E102K | T | 88.2/27.5 |
| C51 | 4030017460 | S.CER ECJ0EB1E102K | T | 90.5/31.9 |
| C52 | 4030017420 | S.CER ECJ0EC1H470J | B | 89/30.1 |
| C53 | 4030016790 | S.CER ECJ0EB1C103K | B | 90.7/29.8 |
| C54 | 4030017460 | S.CER ECJ0EB1E102K | B | 90.7/31.1 |
| C56 | 4030017390 | S.CER ECJ0EC1H180J | T | 94.6/25.6 |
| C56 | 4030017620 | S.CER ECJ0EC1H100C | T | 94.6/25.6 |
| C57 | 4030017460 | S.CER ECJ0EB1E102K | T | 88.2/32 |
| C58 | 4030017460 | S.CER ECJ0EB1E102K | B | 89.2/22.9 |
| C59 | 4030017460 | S.CER ECJ0EB1E102K | B | 86.2/21.2 |
| C60 | 4030017460 | S.CER ECJ0EB1E102K | B | 88.2/22.9 |
| C61 | 4030017430 | S.CER ECJ0EC1H101J | B | 87.2/18.9 |
| C62 | 4030017680 | S.CER ECJ0EC1H820J | T | 79.7/12.6 |
| C63 | 4030017420 | S.CER ECJ0EC1H470J | B | |
| | | [1], [2], [3], [9], [10], [11], [13], [14], [15], [16], [17], [26] only | B | 33.1/20.7 |
| C64 | 4030017460 | S.CER ECJ0EB1E102K | B | 34.3/13.8 |
| C65 | 4030017330 | S.CER ECJ0EF1C104Z | T | 17.6/32.9 |
| C66 | 4030017460 | S.CER ECJ0EB1E102K | T | 77.8/15.1 |
| C67 | 4030017460 | S.CER ECJ0EB1E102K | B | 78.1/12.6 |
| C69 | 4030017750 | S.CER ECJ0EB1E122K | T | 77.9/19.2 |
| C70 | 4030017460 | S.CER ECJ0EB1E102K | T | |
| | | [4], [5], [6], [7], [8], [18], [19], [20], [21], [22] only | T | 77.9/20.2 |
| C71 | 4030017330 | S.CER ECJ0EF1C104Z | T | 79.9/21.3 |
| C72 | 4030017420 | S.CER ECJ0EC1H470J | T | 84.5/12.3 |
| C73 | 4030017460 | S.CER ECJ0EB1E102K | T | 91.8/13.2 |
| C74 | 4030017460 | S.CER ECJ0EB1E102K | B | 86.6/6 |
| C75 | 4550007600 | S.TAN F920J106MPABMA | B | |
| | | [1], [2], [3], [9], [10], [11], [12], [13], [14], [15], [16], [17], [25], [26] only | B | 75.6/12.2 |
| C76 | 4030016790 | S.CER ECJ0EB1C103K | T | 90.3/13.7 |
| C77 | 4030017460 | S.CER ECJ0EB1E102K | B | |
| | | [5], [7], [10], [16], [19], [21], [23], [24] | B | 88/16.4 |
| | 4030017730 | S.CER ECJ0EB1E471K | B | |
| | | except [5], [7], [10], [16], [19], [21], [24] | B | 88/16.4 |
| C78 | 4030017460 | S.CER ECJ0EB1E102K | T | 85.2/7.4 |
| C79 | 4030006860 | S.CER C1608 JB 1H 102K-T | T | |
| | | [4], [6], [18], [20] only | T | 87.9/9 |
| C80 | 4030016790 | S.CER ECJ0EB1C103K | T | 85.5/14.4 |
| C90 | 4030017400 | S.CER ECJ0EC1H220J | B | 44.7/6.3 |
| C95 | 4030017710 | S.CER ECJ0EC1H181J | B | 38.9/8.3 |
| C98 | 4030017400 | S.CER ECJ0EC1H220J | B | 32/5.5 |
| C100 | 4030017590 | S.CER ECJ0EC1H070C | B | 84.6/20.6 |
| C102 | 4030017360 | S.CER ECJ0EC1H030B | B | 77.8/29.5 |
| C102 | 4030017380 | S.CER ECJ0EC1H050B | B | 77.8/29.5 |
| | | except [9], [23] | B | 77.8/29.5 |
| C103 | 4030017560 | S.CER ECJ0EC1H2R5B | B | |
| | | [4], [9], [18], [23] | B | 77.9/30.8 |
| | 4030017580 | S.CER ECJ0EC1H060C | B | 77.9/30.8 |
| C104 | 4030017460 | S.CER ECJ0EB1E102K | B | 75.8/28 |
| C105 | 4030017460 | S.CER ECJ0EB1E102K | B | 79.6/29.5 |
| C106 | 4030017420 | S.CER ECJ0EC1H470J | B | 79.2/22.2 |
| C107 | 4030017460 | S.CER ECJ0EB1E102K | B | 80.2/25.8 |
| C108 | 4030016790 | S.CER ECJ0EB1C103K | B | |
| | | [5], [7], [10], [16], [19], [21], [23], [24] | B | 86.6/16.4 |
| | 4030017730 | S.CER ECJ0EB1E471K | B | |
| | | [5], [7], [10], [16], [19], [21], [24] | B | 86.6/16.4 |
| C109 | 4030017460 | S.CER ECJ0EB1E102K | B | 80.2/26.7 |
| C110 | 4030017730 | S.CER ECJ0EB1E471K | B | 76.8/27.9 |
| C111 | 4030017420 | S.CER ECJ0EC1H470J | T | 69.2/32.8 |
| C112 | 4030017750 | S.CER ECJ0EB1E122K | B | 35.5/7.7 |
| C113 | 4030017540 | S.CER ECJ0EC1HR75B | B | 71.7/30.4 |
| C114 | 4030017380 | S.CER ECJ0EC1H050B | B | 72.4/32.9 |
| C115 | 4030017620 | S.CER ECJ0EC1H100C | B | |
| | | [5], [7], [10], [16], [19], [21], [24] | B | 74.5/34.3 |
| | 4030017630 | S.CER ECJ0EC1H120J | B | |
| | | except [5], [7], [10], [16], [19], [21], [23], [24] | B | 74.5/34.3 |
| C116 | 4030016790 | S.CER ECJ0EB1C103K | B | 76.6/34.3 |
| C117 | 4030017730 | S.CER ECJ0EB1E471K | B | 76.6/32.7 |
| C118 | 4030017530 | S.CER ECJ0EC1H0R5B | B | |
| | | [9], [10], [16], [23], [24] | B | 73.5/27.9 |
| | 4030017540 | S.CER ECJ0EC1HR75B | B | |
| | | [1], [2], [3], [11], [12], [13], [14], [15], [17], [25], [26] | B | 73.5/27.9 |
| C119 | 4030017460 | S.CER ECJ0EB1E102K | B | 75.9/22.7 |
| C120 | 4030017730 | S.CER ECJ0EB1E471K | B | 75.9/23.7 |
| C121 | 4030017380 | S.CER ECJ0EC1H050B | B | |
| | | [5], [7], [10], [16], [19], [21], [24] | B | 73.8/25.3 |
| | 4030017620 | S.CER ECJ0EC1H100C | B | |
| | | [1], [2], [3], [4], [11], [12], [13], [14], [15], [17], [18], [25], [26] | B | 73.8/25.3 |
| C121 | 4030017640 | S.CER ECJ0EC1H150J | B | 73.8/25.3 |
| C122 | 4030017390 | S.CER ECJ0EC1H180J | B | 73.4/26.6 |
| C123 | 4030017390 | S.CER ECJ0EC1H180J | B | |
| | | [4], [6], [8], [9], [18], [20], [22], [23] | B | 73/22.9 |
| | 4030017580 | S.CER ECJ0EC1H060C | B | 73/22.9 |

M.=Mounted side (T: Mounted on the Top side, B: Mounted on the Bottom side) S.=Surface mount

[MAIN UNIT]

| REF NO. | PARTS NO. | DESCRIPTION | M. | H/V LOCATION |
|---------|------------|--|----|--------------|
| C123 | 4030017620 | S.CER ECJ0EC1H100C | B | 73/22.9 |
| C123 | 4030017640 | S.CER ECJ0EC1H150J [1], [2], [3], [5], [7], [11], [12], [13], [14], [15], [17], [19], [21], [25], [26] | B | 73/22.9 |
| C124 | 4030017590 | S.CER ECJ0EC1H070C | B | 40.6/8.3 |
| C125 | 4030018110 | S.CER ECJ0EB1H272K | B | 70.9/31.8 |
| C126 | 4030017590 | S.CER ECJ0EC1H070C [10], [16], [24] | B | 70.9/31.8 |
| | 4030017630 | S.CER ECJ0EC1H120J [5], [7], [9], [10], [16], [19], [21], [23], [24] | B | 70.9/31.8 |
| | 4030017640 | S.CER ECJ0EC1H150J [9], [23] | B | 70.9/31.8 |
| C128 | 4030017330 | S.CER ECJ0EF1C104Z | B | 34.2/7.2 |
| C129 | 4030017530 | S.CER ECJ0EC1H0R5B | B | 69.5/23.4 |
| C130 | 4030017330 | S.CER ECJ0EF1C104Z | B | 36.1/9.4 |
| C131 | 4030017330 | S.CER ECJ0EF1C104Z | B | 43/19.4 |
| C132 | 4030017460 | S.CER ECJ0EB1E102K | T | 71.8/19.7 |
| C133 | 4030017390 | S.CER ECJ0EC1H180J [9], [23] | B | 70.3/24.3 |
| | 4030017630 | S.CER ECJ0EC1H120J [10], [16], [24] | B | 70.3/24.3 |
| | 4030017640 | S.CER ECJ0EC1H150J [1], [2], [3], [9], [11], [12], [13], [14], [15], [17], [25], [26] | B | 70.3/24.3 |
| C134 | 4030017640 | S.CER ECJ0EC1H150J except [5], [7], [10], [16], [19], [21], [24] | B | 69.9/31.8 |
| | 4030018120 | S.CER ECJ0EC1H110J [5], [7], [10], [16], [19], [21], [24] only | T | 76.4/26.2 |
| C135 | 4030017460 | S.CER ECJ0EB1E102K | B | 36.4/43.6 |
| C136 | 4030017430 | S.CER ECJ0EC1H101J | B | 36.4/43.6 |
| C136 | 4030017660 | S.CER ECJ0EC1H330J | T | 86.5/23.4 |
| C137 | 4030016790 | S.CER ECJ0EB1C103K | T | 72.1/27.3 |
| C138 | 4550000510 | S.TAN TEESVA 1V 473M8R | B | 79.8/27.9 |
| C139 | 4030017330 | S.CER ECJ0EF1C104Z | T | 84.5/37.1 |
| C140 | 4030017460 | S.CER ECJ0EB1E102K | T | 73.6/21.3 |
| C141 | 4030017460 | S.CER ECJ0EB1E102K | B | 68.7/41.9 |
| C142 | 4030016790 | S.CER ECJ0EB1C103K | B | 68.7/41.9 |
| C142 | 4030017330 | S.CER ECJ0EF1C104Z | T | 77.2/23.6 |
| C143 | 4030017460 | S.CER ECJ0EB1E102K | B | 68.9/20.3 |
| C145 | 4030017420 | S.CER ECJ0EC1H470J | T | 76.4/27.6 |
| C146 | 4030017420 | S.CER ECJ0EC1H470J [9], [23] only | B | 68.7/40.9 |
| C147 | 4030017420 | S.CER ECJ0EC1H470J | T | 86.5/32.4 |
| C148 | 4550006250 | S.TAN TEESVA 1A 106M8R | | |
| C149 | 4030017460 | S.CER ECJ0EB1E102K [5], [7], [10], [16], [19], [21], [23], [24] | T | 67.2/7.6 |
| | 4030017730 | S.CER ECJ0EB1E471K [5], [7], [10], [16], [19], [21], [24] | T | 67.2/7.6 |
| C150 | 4030017490 | S.CER ECJ0EB1E102K C1608 JB 1A 105K-T | B | 24.4/15.1 |
| C151 | 4030017460 | S.CER ECJ0EB1E102K | B | 83.2/40.2 |
| C152 | 4030017420 | S.CER ECJ0EC1H470J | T | 82.2/40.2 |
| C153 | 4030017420 | S.CER ECJ0EC1H470J | T | 81.2/40.2 |
| C154 | 4030017420 | S.CER ECJ0EC1H470J | T | 73.1/32.6 |
| C155 | 4030017460 | S.CER ECJ0EB1E102K | B | 64.9/35.4 |
| C156 | 4030017430 | S.CER ECJ0EC1H101J | B | 63.1/35.4 |
| C157 | 4030017620 | S.CER ECJ0EC1H100C | B | 61.7/35.3 |
| C158 | 4030017330 | S.CER ECJ0EF1C104Z | B | 59.4/38 |
| C159 | 4030017460 | S.CER ECJ0EB1E102K | B | |
| C160 | 4030017460 | S.CER ECJ0EB1E102K [5], [7], [10], [16], [19], [21], [23], [24] | T | 69.5/12 |
| | 4030017730 | S.CER ECJ0EB1E471K except [5], [7], [10], [16], [19], [21], [24] | T | 69.5/12 |
| C161 | 4030017620 | S.CER ECJ0EC1H100C | T | 83.3/27.6 |
| C162 | 4030017500 | S.CER ECJ0EC1H560J | T | 83.2/24 |
| C163 | 4030017570 | S.CER ECJ0EC1H040B | T | 84.5/23.4 |
| C164 | 4030017590 | S.CER ECJ0EC1H070C | T | 83.2/23 |
| C165 | 4030016790 | S.CER ECJ0EB1C103K | T | 83.2/25.3 |
| C166 | 4030017360 | S.CER ECJ0EC1H030B | T | 83.1/21.7 |
| C167 | 4030017330 | S.CER ECJ0EF1C104Z | B | 83.1/11.6 |
| C168 | 4030017460 | S.CER ECJ0EB1E102K [5], [7], [10], [16], [19], [21], [23], [24] | T | 75/8.5 |
| | 4030017730 | S.CER ECJ0EB1E471K except [5], [7], [10], [16], [19], [21], [24] | T | 75/8.5 |
| C169 | 4030017420 | S.CER ECJ0EC1H470J | T | 68.8/7 |
| C170 | 4030017330 | S.CER ECJ0EF1C104Z | B | 51.1/26 |
| C171 | 4030017460 | S.CER ECJ0EB1E102K | B | 70.3/40.9 |
| C172 | 4030016950 | S.CER ECJ0EB1A473K [4], [18] only | B | 52.1/26 |
| C174 | 4030017420 | S.CER ECJ0EC1H470J | B | 53.5/28.1 |
| C174 | 4030017710 | S.CER ECJ0EC1H181J | B | 53.5/28.1 |
| C175 | 4030017420 | S.CER ECJ0EC1H470J | B | 71.8/41.4 |
| C176 | 4030017330 | S.CER ECJ0EF1C104Z | T | 99.4/36.2 |
| C177 | 4030017330 | S.CER ECJ0EF1C104Z | B | 100.3/41.5 |
| C180 | 4030017330 | S.CER ECJ0EF1C104Z | B | 55.2/31.9 |
| C182 | 4030017460 | S.CER ECJ0EB1E102K | B | 87.2/22.9 |
| C183 | 4030017640 | S.CER ECJ0EC1H150J | B | 84.9/23.8 |
| C184 | 4030017460 | S.CER ECJ0EB1E102K | T | 90.6/38.9 |
| C185 | 4030017460 | S.CER ECJ0EB1E102K | T | 89.6/38.9 |
| C186 | 4030017330 | S.CER ECJ0EF1C104Z | T | 89.1/36.8 |
| C188 | 4030017460 | S.CER ECJ0EB1E102K | T | 82.8/12.2 |
| C191 | 4030017380 | S.CER ECJ0EC1H050B [5], [7], [10], [16], [19], [21], [24] | B | 70.4/30.4 |
| | 4030017600 | S.CER ECJ0EC1H080C [9], [23] | B | 70.4/30.4 |
| | 4030017610 | S.CER ECJ0EC1H090C | B | 70.4/30.4 |
| | 4030018120 | S.CER ECJ0EC1H110J [5], [7], [9], [10], [16], [19], [21], [23], [24] | B | 70.4/30.4 |
| C192 | 4030017370 | S.CER ECJ0EC1H3R5B [10], [16], [24] | B | 70/25.7 |
| | 4030017380 | S.CER ECJ0EC1H050B [9], [23] | B | 70/25.7 |
| | 4030017580 | S.CER ECJ0EC1H060C [1], [2], [3], [11], [12], [13], [14], [15], [17], [25], [26] | B | 70/25.7 |

[MAIN UNIT]

| REF NO. | PARTS NO. | DESCRIPTION | M. | H/V LOCATION |
|---------|------------|--|----|--------------|
| C193 | 4030017420 | S.CER ECJ0EC1H470J [1], [2], [3], [8], [9], [11], [12], [13], [14], [15], [17], [22], [23], [25], [26] | T | 66.9/31.5 |
| C205 | 4030017380 | S.CER ECJ0EC1H050B | B | 79.9/33.1 |
| C206 | 4030017590 | S.CER ECJ0EC1H070C | B | 78.1/33.9 |
| C206 | 4030017620 | S.CER ECJ0EC1H100C | B | 78.1/33.9 |
| C208 | 4030017590 | S.CER ECJ0EC1H070C | B | 78.1/34.9 |
| C208 | 4030017620 | S.CER ECJ0EC1H100C | B | 78.1/34.9 |
| C209 | 4030017460 | S.CER ECJ0EB1E102K | B | 80.4/34.4 |
| C211 | 4030017260 | S.CER C2012 JB 0J 475KT | B | 46/29.9 |
| C221 | 4030016940 | S.CER ECJ0EB1A393K | B | 39.4/39.7 |
| C222 | 4030016790 | S.CER ECJ0EB1C103K | B | 40.4/42.9 |
| C223 | 4030017330 | S.CER ECJ0EF1C104Z | B | 40.4/39.7 |
| C225 | 4030017730 | S.CER ECJ0EB1E471K | B | 43.8/34.3 |
| C226 | 4030017460 | S.CER ECJ0EB1E102K | B | 46.5/39.7 |
| C231 | 4030016790 | S.CER ECJ0EB1C103K | B | 60.1/13.9 |
| C232 | 4030016790 | S.CER ECJ0EB1C103K | B | 62.1/19.1 |
| C233 | 4550007090 | S.TAN TEESVA 1A 226M8R | B | 60/8.1 |
| C234 | 4030017730 | S.CER ECJ0EB1E471K [1], [2], [3], [9], [10], [11], [12], [13], [14], [15], [16], [17], [25], [26] only | B | 55.7/5.2 |
| C235 | 4030016790 | S.CER ECJ0EB1C103K | B | 54.7/5.2 |
| C236 | 4030018560 | S.CER C2012 JB 1A 475K-T | B | 94/23.8 |
| C237 | 4030016790 | S.CER ECJ0EB1C103K | B | 93/17.9 |
| C238 | 4550007070 | S.TAN TEESVP 1A 475M8R | B | 92/24.6 |
| C239 | 4030017330 | S.CER ECJ0EF1C104Z | B | 93/16.9 |
| C240 | 4030017460 | S.CER ECJ0EB1E102K | B | 56.8/29.8 |
| C241 | 4030017460 | S.CER ECJ0EB1E102K | B | 60.1/14.9 |
| C242 | 4030017460 | S.CER ECJ0EB1E102K | B | 64.8/8.4 |
| C302 | 4030016790 | S.CER ECJ0EB1C103K | T | 78.2/28.8 |
| C303 | 4030017490 | S.CER C1608 JB 1A 105K-T | T | 74.4/33.4 |
| C308 | 4550007090 | S.TAN TEESVA 1A 226M8R | B | 33.8/10.5 |
| C309 | 4030017490 | S.CER C1608 JB 1A 105K-T | B | 35.9/15.4 |
| C310 | 4030017490 | S.CER C1608 JB 1A 105K-T | B | 33.3/15.5 |
| C312 | 4030017900 | S.CER ECJ0EB1C123K | B | 52.3/17.8 |
| C314 | 4030017740 | S.CER ECJ0EB1E821K | B | 55.2/18.7 |
| C315 | 4030017330 | S.CER ECJ0EF1C104Z | B | 49.2/20.6 |
| C316 | 4030017420 | S.CER ECJ0EC1H470J | B | 57.4/19.1 |
| C317 | 4030017770 | S.CER ECJ0EB1E332K | B | 59/21.7 |
| C318 | 4030017690 | S.CER ECJ0EC1H121J | B | 57.3/28.5 |
| C319 | 4030017760 | S.CER ECJ0EB1H222K | B | 58.9/23.8 |
| C320 | 4030017460 | S.CER ECJ0EB1E102K | B | 60.2/27 |
| C321 | 4030017460 | S.CER ECJ0EB1E102K | T | 91.1/31.1 |
| C322 | 4030017420 | S.CER ECJ0EC1H470J | T | 100.1/18.6 |
| C323 | 4030016950 | S.CER ECJ0EB1A473K | T | 94.5/20.4 |
| C324 | 4550007110 | S.TAN SY6-1A107M-RC | B | 99.4/16.5 |
| C325 | 4550006250 | S.TAN TEESVA 1A 106M8R | T | 101.4/15.8 |
| C326 | 4550007080 | S.TAN TEESVA 1C 106M8R | T | 92.9/16.9 |
| C327 | 4030017330 | S.CER ECJ0EF1C104Z | T | 93.8/13.6 |
| C328 | 4030017460 | S.CER ECJ0EB1E102K | T | 87.7/20.3 |
| C329 | 4030017460 | S.CER ECJ0EB1E102K | T | 87.7/21.3 |
| C330 | 4030017330 | S.CER ECJ0EF1C104Z | T | 92.9/21.1 |
| C331 | 4030017460 | S.CER ECJ0EB1E102K | T | 101.7/12.4 |
| C332 | 4030017460 | S.CER ECJ0EB1E102K | T | 82.9/3.7 |
| C333 | 4550007600 | S.TAN F920J106MPABMA [1], [2], [3], [9], [10], [11], [12], [13], [14], [15], [16], [17], [25], [26] only | T | 81.5/4 |
| C334 | 4030017330 | S.CER ECJ0EF1C104Z | T | 75.7/5.4 |
| C335 | 4030018860 | S.CER ECJ0EB0J105K | B | 40/32.9 |
| C336 | 4030017730 | S.CER ECJ0EB1E471K | B | 40/36.9 |
| C337 | 4030017490 | S.CER C1608 JB 1A 105K-T | T | 96.4/7.9 |
| C338 | 4030017330 | S.CER ECJ0EF1C104Z | B | 34.5/20.7 |
| C338 | 4030018860 | S.CER ECJ0EB0J105K | B | 34.5/20.7 |
| C339 | 4030016790 | S.CER ECJ0EB1C103K | B | 32.6/18 |
| C340 | 4030017330 | S.CER ECJ0EF1C104Z | B | 9.6/16.5 |
| C345 | 4030017330 | S.CER ECJ0EF1C104Z | B | 19/34.9 |
| C346 | 4030017600 | S.CER ECJ0EC1H080C | B | 27.5/26.4 |
| C347 | 4030017640 | S.CER ECJ0EC1H150J | B | 24.4/36 |
| C348 | 4030017400 | S.CER ECJ0EC1H220J | B | 26.6/28 |
| C349 | 4030017330 | S.CER ECJ0EF1C104Z | B | 26/31.5 |
| C350 | 4030017330 | S.CER ECJ0EF1C104Z | B | 27.3/33 |
| C351 | 4030017330 | S.CER ECJ0EF1C104Z | B | 27.4/35 |
| C352 | 4030017030 | S.CER ECJ0EB1A273K | B | 23/41.1 |
| C353 | 4030017330 | S.CER ECJ0EF1C104Z | B | 14/32 |
| C354 | 4030016790 | S.CER ECJ0EB1C103K | B | 30.8/18 |
| C355 | 4030017460 | S.CER ECJ0EB1E102K | B | 51.5/7.6 |
| C356 | 4030017330 | S.CER ECJ0EF1C104Z | B | 15.4/4 |
| C357 | 4030018560 | S.CER C2012 JB 1A 475K-T | B | 25.4/40.9 |
| C359 | 4030017330 | S.CER ECJ0EF1C104Z | B | 21.6/38.8 |
| C360 | 4030017330 | S.CER ECJ0EF1C104Z | B | 49.8/26.5 |
| C368 | 4030017460 | S.CER ECJ0EB1E102K | T | 95.5/41.6 |
| C369 | 4030017400 | S.CER ECJ0EC1H220J [5], [7], [10], [16], [19], [21], [24] | B | 94.2/39.5 |
| | 4030017650 | S.CER ECJ0EC1H270J [9], [23] | B | 94.2/39.5 |
| | 4030017660 | S.CER ECJ0EC1H330J [5], [7], [9], [10], [16], [19], [21], [23], [24] | B | 94.2/39.5 |
| C371 | 4030017330 | S.CER ECJ0EF1C104Z | B | 45.9/32.5 |
| C375 | 4030017460 | S.CER ECJ0EB1E102K | T | 86/18 |
| C376 | 4030017460 | S.CER ECJ0EB1E102K | T | 86/17 |
| C377 | 4030017460 | S.CER ECJ0EB1E102K | B | 30.4/8.7 |
| C378 | 4030017460 | S.CER ECJ0EB1E102K | B | 37.9/44.2 |
| C379 | 40 | | | |

[MAIN UNIT]

| REF NO. | PARTS NO. | DESCRIPTION | M. | H/V LOCATION |
|---------|-------------|---|----|--------------|
| C396 | 4030017360 | S.CER ECJ0EC1H030B [5], [7], [10], [16], [19], [21], [23], [24] | B | 84.7/24.8 |
| | 4030017580 | S.CER ECJ0EC1H060C except [5], [7], [10], [16], [19], [21], [24] | B | 84.7/24.8 |
| C397 | 4030017360 | S.CER ECJ0EC1H030B [3], [17] | B | 84.9/27 |
| | 4030017580 | S.CER ECJ0EC1H060C except [3], [17] | B | 84.9/27 |
| C398 | 4030017460 | S.CER ECJ0EB1E102K | B | 68.1/34.3 |
| C399 | 4550007120 | S.TAN F92 1D 224MPA | T | 67.5/35.4 |
| C400 | 4030017460 | S.CER ECJ0EB1E102K | B | 72.2/27.5 |
| C401 | 4030017330 | S.CER ECJ0EF1C104Z | B | 71.3/28.2 |
| C401 | 4030018860 | S.CER ECJ0EB0J105K | B | 71.3/28.2 |
| C402 | 4030017460 | S.CER ECJ0EB1E102K | T | 92.9/19.9 |
| C403 | 4030017460 | S.CER ECJ0EB1E102K | B | 36.3/16.6 |
| C404 | 4030016790 | S.CER ECJ0EB1C103K | B | 59.1/35.3 |
| C405 | 4030017460 | S.CER ECJ0EB1E102K | B | 39.4/42.9 |
| C406 | 4030017330 | S.CER ECJ0EF1C104Z | B | 52.3/19.5 |
| C407 | 4030017460 | S.CER ECJ0EB1E102K | T | 95.9/2.9 |
| C408 | 4030017460 | S.CER ECJ0EB1E102K | T | 100.9/4.2 |
| C409 | 4030017460 | S.CER ECJ0EB1E102K | B | 16.6/32.9 |
| C411 | 4030017330 | S.CER ECJ0EF1C104Z [5], [7], [10], [16], [19], [21], [23], [24] | B | 18.6/32.4 |
| | 4030018860 | S.CER ECJ0EB0J105K except [5], [7], [10], [16], [19], [21], [24] | B | 18.6/32.4 |
| C412 | 4030017420 | S.CER ECJ0EC1H470J | T | 78.4/3.1 |
| C413 | 4030018080 | S.CER ECJ0EB1H182K [4], [5], [6], [7], [8], [18], [19], [20], [21], [22] only | B | 74.9/16.9 |
| C414 | 4030018860 | S.CER ECJ0EB0J105K | B | 34.5/34.2 |
| C415 | 4030017570 | S.CER ECJ0EC1H040B [9], [23] only | B | 69.1/34.4 |
| C416 | 4030018860 | S.CER ECJ0EB0J105K [4], [6], [18], [20] only | T | 91.3/14.4 |
| C417 | 4030017330 | S.CER ECJ0EF1C104Z [4], [18] only | T | 80.9/12.2 |
| C418 | 4030017420 | S.CER ECJ0EC1H470J [4], [18] only | B | 80.6/22.6 |
| C419 | 4030017620 | S.CER ECJ0EC1H100C [4], [18], [24] only | B | 79.3/23.1 |
| C420 | 4030017380 | S.CER ECJ0EC1H050B [4], [6], [7], [18], [20], [21] only | T | 94.6/28.5 |
| C421 | 4550006780 | S.TAN TEESVB2 0J 476M8R [4], [18] only | B | 30.5/41.2 |
| C422 | 4550006780 | S.TAN TEESVB2 0J 476M8R [4], [18] only | B | 55.6/15.4 |
| C423 | 4030017730 | S.CER ECJ0EB1E471K [4], [18] only | T | 84.9/29.9 |
| C424 | 4030017730 | S.CER ECJ0EB1E471K [4], [6], [8], [18][20], [22] only | T | 97.9/42.3 |
| C425 | 4030017420 | S.CER ECJ0EC1H470J [1], [2], [3], [10], [11], [12], [13], [14], [15], [16], [17], [24], [25], [26] only | T | 70.7/27.1 |
| J2 | 6450002250 | CNR HSJ1456-010320 [4], [6], [8], [18][20], [22] only | | |
| J3 | 6450001680 | CNR HSJ1122-010010 | | |
| J4 | 6510021901 | S.CNR BM02B-ASRS-TF (LF) (SN) | T | 88.1/4.5 |
| J5 | 6510018430 | S.CNR AXN330C038P | B | 15.2/9.8 |
| J6 | 6510024391 | S.CNR IMSA-6176S-03Y902 | B | 88.2/8.8 |
| J7 | 6510024740 | S.CNR IPS-4039T-02B (4039T-01Y901) | B | 92.5/29 |
| DS1 | 5010000160 | S.LED LNJ310M6URA | T | 57.3/6 |
| DS2 | 5010000160 | S.LED LNJ310M6URA | T | 57.3/39.4 |
| DS3 | 5030003110 | LCD S11351 <SUC> | | |
| MC1 | 7700002760 | MIC EM6027P-46C33-G-01 <HOR> | | |
| S1 | 2230001060 | S.SW EVQ-PUL 02K | T | 102.2/38.1 |
| S2 | 2260002840 | SW SKHLLFA010 | | |
| S3 | 2260002800 | S.SW SW-167 (SKQTLAE010) | B | 61.1/44.2 |
| S4 | 2260002800 | S.SW SW-167 (SKQTLAE010) | B | 51.6/44.2 |
| S5 | 2260002800 | S.SW SW-167 (SKQTLAE010) | B | 99.6/44.2 |
| S27 | 2250000180 | ECR EC10SP16-47 | | |
| EP1 | 6910015370 | S.BEA ACZ1005Y-102-T | B | 76.6/30.8 |
| EP3 | 6910015370 | S.BEA ACZ1005Y-102-T | B | 59.4/36.9 |
| EP4 | 6910015600 | S.BEA ACZ1005Y-241 (240) [1], [2], [9], [10], [13], [14], [15], [16], [17], [26] only | B | 37.4/19 |
| EP5 | 6910015370 | S.BEA ACZ1005Y-102-T | B | 32/8.3 |
| EP6 | 6910015370 | S.BEA ACZ1005Y-102-T | T | 74.4/31.6 |
| EP7 | 89300063020 | LCT SRCN-2721-SP-N-W (SHJ) | | |
| EP11 | 6910015370 | S.BEA ACZ1005Y-102-T | T | 78/11.7 |
| EP12 | 0800008200 | ADP IC20-DES TRANSCRIPT [9], [23] only | | |

[PA UNIT]

| REF NO. | PARTS NO. | DESCRIPTION | M. | H/V LOCATION |
|---------|------------|--|----|--------------|
| Q701 | 1560001232 | S.FET RD07MVS2-T112 | B | 22.6/8.3 |
| Q702 | 1560001241 | S.FET RD01MUS1-T113 | B | 15.7/8.2 |
| Q703 | 1530000370 | S.TR 2SC3356-T1B | T | 8.4/14 |
| Q704 | 1530003260 | S.TR 2SC5006-T1 | T | 3.9/7 |
| D701 | 1750000581 | S.DIO 1SV307 (TPH3,F) | T | 33.9/12.8 |
| D702 | 1790001670 | S.DIO RB706F-40T106 | T | 28.8/17.8 |
| D703 | 1790001670 | S.DIO RB706F-40T106 | B | 30.9/13.6 |
| D704 | 1790001260 | S.DIO MA2S077-(TX) | B | 29.3/12.8 |
| D705 | 1790001240 | S.DIO MA2S728-(TX) | T | 25.9/18.1 |
| L701 | 6200002851 | S.COL NLV25T-R82J | B | 34.4/12.4 |
| L703 | 6200012610 | S.COL 0.40-0.9-2TL 2.8N <COMO> | T | 30.1/13.6 |
| L704 | 6200012610 | S.COL 0.40-0.9-2TL 2.8N <COMO> | T | 24.1/14.1 |
| L705 | 6200013010 | S.COL 0.30-0.9-5TL 10.3N <COMO> | B | 19.4/13.5 |
| L706 | 6200003590 | S.COL EXCCL3225U1 | B | 10.7/15.9 |
| L707 | 6200005681 | S.COL ELJRE 15NGFA [10], [16] | T | 9.1/16.1 |
| | 6200005691 | S.COL ELJRE 18NGFA [1], [2], [3], [11], [13], [14], [15], [17], [26] | T | 9.1/16.1 |
| | 6200005701 | S.COL ELJRE 22NGFA [9] | T | 9.1/16.1 |
| L708 | 6200005741 | S.COL ELJRE 47NGFA | T | 3.3/10.3 |
| L709 | 6200013010 | S.COL 0.30-0.9-5TL 10.3N <COMO> | T | 33.7/16.7 |
| L712 | 6200009070 | S.COL LQW18AN18NG00D | B | 32.2/15.8 |
| R701 | 7030004980 | S.RES ERJ2GEJ 101 X (100) | B | 31.4/11.8 |
| R702 | 7030005120 | S.RES ERJ2GEJ 102 X (1 k) | T | 29.6/15.7 |
| R703 | 7030005120 | S.RES ERJ2GEJ 102 X (1 k) | B | 27.2/16.3 |
| R704 | 7030005530 | S.RES ERJ2GEJ 100 X (10) | T | 18.4/2.9 |
| R705 | 7030005220 | S.RES ERJ2GEJ 223 X (22 k) [5], [7], [10], [16], [19], [21], [24] only | T | 16.9/2.4 |
| R706 | 7030005040 | S.RES ERJ2GEJ 472 X (4.7 k) | T | 14.5/2.9 |
| R708 | 7030004990 | S.RES ERJ2GEJ 221 X (220) | B | 12.8/11.4 |
| R710 | 7030005040 | S.RES ERJ2GEJ 472 X (4.7 k) | B | 10.8/11.7 |
| R712 | 7030005220 | S.RES ERJ2GEJ 223 X (22 k) | T | 4.5/13.9 |
| R715 | 7030005220 | S.RES ERJ2GEJ 223 X (22 k) | T | 3.8/8.9 |
| R726 | 7030005120 | S.RES ERJ2GEJ 102 X (1 k) | B | 27.7/14.9 |
| R727 | 7030005030 | S.RES ERJ2GEJ 152 X (1.5 k) [4], [5], [7], [10], [16], [18], [19], [21], [24] | B | 34.9/14.7 |
| | 7030005120 | S.RES ERJ2GEJ 102 X (1 k) except [4], [5], [7], [10], [16], [18], [19], [21], [24] | B | 34.9/14.7 |
| R728 | 7030010040 | S.RES ERJ2GEJ-JPW [5], [7], [10], [16], [19], [21], [23], [24] | B | 19/11.1 |
| | 7030011210 | S.RES ERJ2GEJ 1R0 X (1) except [5], [7], [10], [16], [19], [21], [24] | B | 19/11.1 |
| C701 | 4030017460 | S.CER ECJ0EB1E102K | T | 35/10.7 |
| C702 | 4030017420 | S.CER ECJ0EC1H470J | B | 31.3/10.5 |
| C703 | 4030017460 | S.CER ECJ0EB1E102K | B | 32.3/10.5 |
| C705 | 4030006990 | S.CER C1608 CH 1H 080D-T [5], [7], [10], [16], [19], [21], [23], [24] | T | 31.4/10.9 |
| | 4030009520 | S.CER C1608 CH 1H 020B-T except [5], [7], [10], [16], [19], [21], [24] | T | 31.4/10.9 |
| C707 | 4030017460 | S.CER ECJ0EB1E102K | B | 26.3/17.6 |
| C708 | 4030006860 | S.CER C1608 JB 1H 102K-T | T | 28.5/13.7 |
| C709 | 4030006980 | S.CER C1608 CH 1H 070D-T [5], [7], [10], [16], [19], [21], [24] | T | 27.3/13.7 |
| | 4030007010 | S.CER C1608 CH 1H 100D-T [9], [23] | T | 27.3/13.7 |
| | 4030011770 | S.CER C1608 CH 1H 060B-T [1], [2], [3], [11], [12], [13], [14], [15], [17], [25], [26] | T | 27.3/13.7 |
| C711 | 4030007020 | S.CER C1608 CH 1H 120J-T | T | 25.9/13.7 |
| | 4030009920 | S.CER C1608 CH 1H 050B-T | T | 25.9/13.7 |
| C712 | 4030007020 | S.CER C1608 CH 1H 120J-T [4], [5], [6], [7], [8], [10], [16], [18], [19], [20], [21], [22], [24] | T | 22.3/13.8 |
| | 4030007040 | S.CER C1608 CH 1H 180J-T [1], [2], [3], [11], [12], [13], [14], [15], [17], [25], [26] | T | 22.3/13.8 |
| | 4030009650 | S.CER C1608 CH 1H 240J-T [9], [23] | T | 22.3/13.8 |
| C713 | 4030007080 | S.CER C1608 CH 1H 390J-T | B | 27/13.2 |
| C715 | 4030017460 | S.CER ECJ0EB1E102K | B | 15.4/13.1 |
| C716 | 4030017460 | S.CER ECJ0EB1E102K | B | 14.4/13.1 |
| C718 | 4030017460 | S.CER ECJ0EB1E102K | T | 15.9/2.4 |
| C719 | 4030016790 | S.CER ECJ0EB1C103K | B | 12.7/13.1 |
| C720 | 4030017670 | S.CER ECJ0EC1H390J [5], [7], [10], [16], [19], [21], [24] | B | 19/8.4 |
| | 4030018070 | S.CER ECJ0EC1H300J except [5], [7], [10], [16], [19], [21], [24] | B | 19/8.4 |
| C721 | 4030017380 | S.CER ECJ0EC1H050B [9], [23] only | B | 17.2/11.5 |
| C722 | 4030017420 | S.CER ECJ0EC1H470J | B | 16.4/13.1 |
| C723 | 4030017460 | S.CER ECJ0EB1E102K | B | 10.6/9.8 |
| C724 | 4030017460 | S.CER ECJ0EB1E102K | B | 8.3/16 |
| C725 | 4030017420 | S.CER ECJ0EC1H470J | T | 10.6/13.3 |
| C726 | 4030017460 | S.CER ECJ0EB1E102K | T | 11.6/13.3 |
| C727 | 4030017460 | S.CER ECJ0EB1E102K | T | 12.6/13.3 |
| C729 | 4030017580 | S.CER ECJ0EC1H060C [4], [6], [8], [9], [18], [20][22], [23] [9], [23] | B | 11/11.8 |
| | 4030017610 | S.CER ECJ0EC1H090C | B | 11/11.8 |
| C731 | 4030017360 | S.CER ECJ0EC1H030B | T | 4.1/12.9 |
| C732 | 4030017460 | S.CER ECJ0EB1E102K | T | 5.1/10.6 |
| C733 | 4030017360 | S.CER ECJ0EC1H030B | T | 4.9/5.5 |

M.=Mounted side (T: Mounted on the Top side, B: Mounted on the Bottom side) S.=Surface mount

[PA UNIT]

| REF NO. | PARTS NO. | DESCRIPTION | M. | H/V LOCATION |
|---------|------------|--|----|--------------|
| C734 | 4030017730 | S.CER ECJ0EB1E471K | T | 13.1/2.4 |
| C735 | 4030017360 | S.CER ECJ0EC1H030B [10], [16] only | T | 3.5/11.5 |
| C742 | 4030017460 | S.CER ECJ0EB1E102K | T | 34/14.5 |
| C744 | 4030009910 | S.CER C1608 CH 1H 040B-T | T | 31.9/16.9 |
| C745 | 4030009910 | S.CER C1608 CH 1H 040B-T | T | 35.5/15.4 |
| C750 | 4030006990 | S.CER C1608 CH 1H 080D-T [1], [2], [3], [11], [12], [13], [14], [15], [17], [25], [26] | B | 32.2/17 |
| | 4030007000 | S.CER C1608 CH 1H 090D-T [9], [23] | B | 32.2/17 |
| | 4030009920 | S.CER C1608 CH 1H 050B-T [5], [7], [10], [16], [19], [21], [24] | B | 32.2/17 |
| C751 | 4030017380 | S.CER ECJ0EC1H050B [3], [17] | B | 30.3/17.6 |
| | 4030017570 | S.CER ECJ0EC1H040B except [3], [17] | B | 30.3/17.6 |
| C752 | 4030017460 | S.CER ECJ0EB1E102K [4], [5], [6], [7], [8], [9], [10], [12], [16], [18], [19], [20], [21], [22], [23], [24], [25] | B | 27.8/17.7 |
| | 4030017620 | S.CER ECJ0EC1H100C [1], [2], [3], [11], [13], [14], [15], [17], [26] | B | 27.8/17.7 |
| C753 | 4030017460 | S.CER ECJ0EB1E102K | B | 28.2/16.4 |
| C754 | 4030017460 | S.CER ECJ0EB1E102K | B | 28.8/13.5 |
| C755 | 4030007030 | S.CER C1608 CH 1H 150J-T [5], [7], [10], [16], [19], [21], [23], [24] | T | 20.7/13.8 |
| | 4030009910 | S.CER C1608 CH 1H 040B-T except [5], [7], [10], [16], [19], [21], [24] | T | 20.7/13.8 |
| C756 | 4030017460 | S.CER ECJ0EB1E102K | B | 17.5/13.1 |
| C757 | 4030017460 | S.CER ECJ0EB1E102K | B | 17.5/14.9 |
| C758 | 4030018860 | S.CER ECJ0EB0J105K [4], [6], [18], [20] only | T | 12.1/2.4 |
| C759 | 4030018860 | S.CER ECJ0EB0J105K [4], [6], [18], [20] only | T | 6/7.9 |
| C760 | 4030017460 | S.CER ECJ0EB1E102K | T | 6.7/8.9 |
| C761 | 4030017530 | S.CER ECJ0EC1H0R5B [10], [16] only | T | 3/5.5 |
| C762 | 4030017530 | S.CER ECJ0EC1H0R5B [10], [16] only | T | 5.9/14.7 |
| C763 | 4030017420 | S.CER ECJ0EC1H470J | T | 10.7/17.3 |
| C766 | 4030017460 | S.CER ECJ0EB1E102K [3], [5], [7], [8], [9], [10], [16], [17], [19], [21], [22], [23], [24] only | T | 9.9/20.3 |
| C767 | 4030017420 | S.CER ECJ0EC1H470J [3], [5], [7], [8], [9], [10], [16], [17], [19], [21], [22], [23], [24] only | T | 9.9/19.4 |
| J701 | 6510024391 | S.CNR IMSA-6176S-03Y902 | B | 6.3/9.7 |
| J702 | 6910015891 | CNR 9230B-1-02Z140-PT1 | | |
| F701 | 5210000901 | S.FUS 0467003.NR (0434003) | B | 10.9/19.6 |
| EP711 | 6910015370 | S.BEA ACZ1005Y-102-T | T | 11.2/14.6 |
| EP712 | 6910015370 | S.BEA ACZ1005Y-102-T | T | 6.1/10.2 |

[FUSE UNIT]

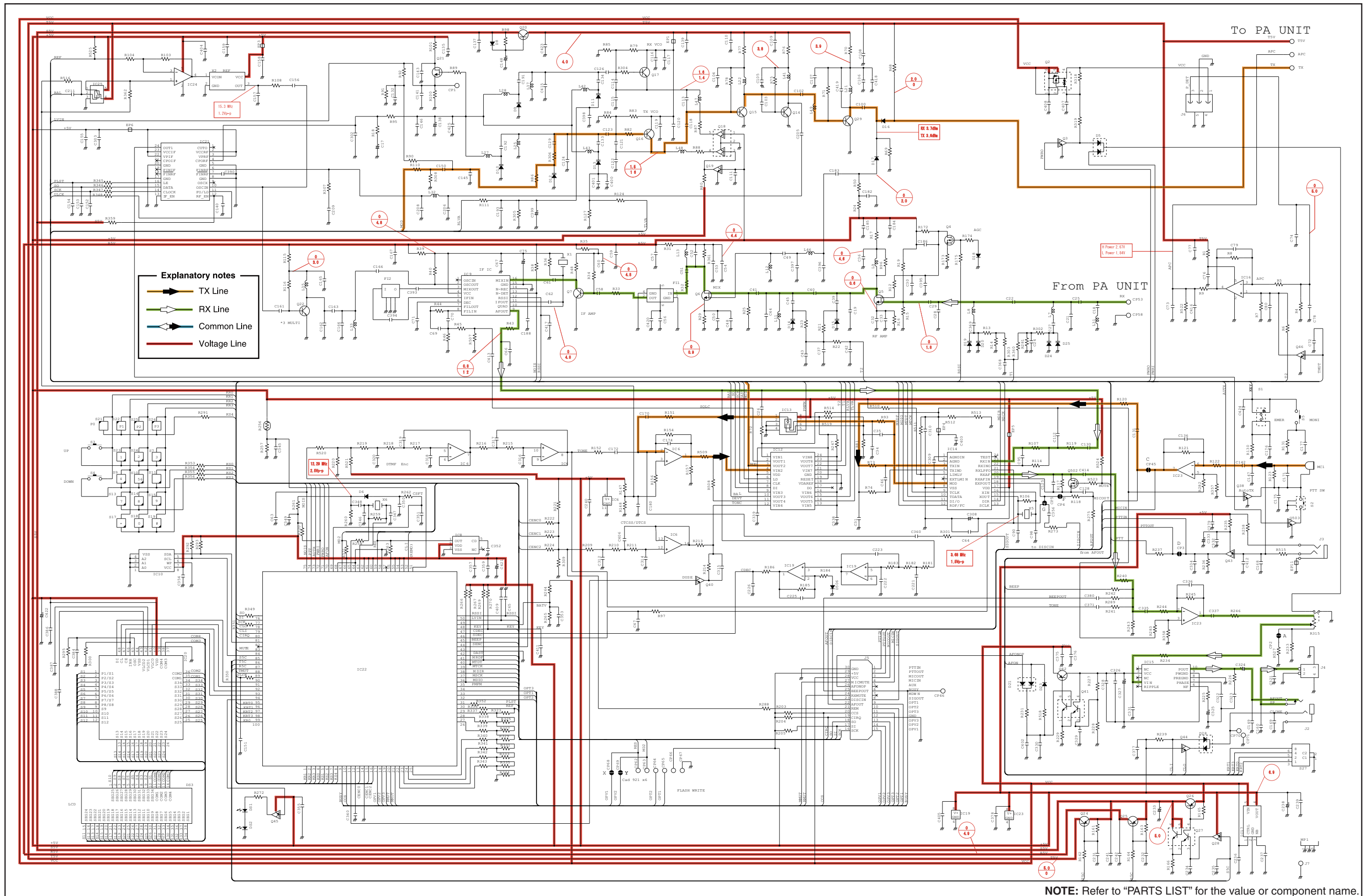
| REF NO. | PARTS NO. | DESCRIPTION | M. | H/V LOCATION |
|---------|------------|---|----|--------------|
| L801 | 6200012550 | S.COL 0.30-1.2-4TR 11.5N <COMO> | T | 5.7/12.2 |
| L802 | 6200012540 | S.COL 0.30-1.2-5TR 16.1N <COMO> | T | 6.8/9.5 |
| R801 | 7030003670 | S.RES ERJ3GEYJ 823 V (82 k) | T | 3.3/14 |
| C802 | 4030009510 | S.CER C1608 CH 1H 010B-T [5], [7], [10], [16], [19], [21], [24] only | T | 6.5/7.7 |
| C803 | 4030006980 | S.CER C1608 CH 1H 070D-T [5], [7], [10], [16], [19], [21], [24] | T | 3.3/11.1 |
| | 4030007000 | S.CER C1608 CH 1H 090D-T [5], [7], [9], [10], [16], [19], [21], [23], [24] | T | 3.3/11.1 |
| | 4030007010 | S.CER C1608 CH 1H 100D-T [9], [23] only | T | 3.3/11.1 |
| C804 | 4030009530 | S.CER C1608 CH 1H 030B-T [1], [2], [3], [8], [11], [12], [13], [14], [15], [17], [22], [25], [26] | T | 5/6.4 |
| | 4030009920 | S.CER C1608 CH 1H 050B-T [9], [23] | T | 5/6.4 |
| C805 | 4030009530 | S.CER C1608 CH 1H 030B-T | T | 7.9/6.3 |
| C806 | 4030009510 | S.CER C1608 CH 1H 010B-T [10], [16] only | T | 3.3/12.6 |

M.=Mounted side (T: Mounted on the Top side, B: Mounted on the Bottom side)
S.=Surface mount

[ANT UNIT]

| REF NO. | PARTS NO. | DESCRIPTION | M. | H/V LOCATION |
|---------|------------|---------------------------------|----|--------------|
| L901 | 6200013100 | S.COL 0.45-1.5-5TL 18.3N <COMO> | T | 8.1/5.8 |
| L902 | 6200013100 | S.COL 0.45-1.5-5TL 18.3N <COMO> | T | 3/5.2 |
| L903 | 6200013100 | S.COL 0.45-1.5-5TL 18.3N <COMO> | T | 11.7/6.7 |
| C901 | 4030017460 | S.CER ECJ0EB1E102K | T | 5.9/4.3 |
| C902 | 4030017420 | S.CER ECJ0EC1H470J | T | 8.4/8.6 |
| C903 | 4030017460 | S.CER ECJ0EB1E102K | T | 9.3/8.6 |
| C904 | 4030017420 | S.CER ECJ0EC1H470J | T | 12.5/9 |
| C905 | 4030017460 | S.CER ECJ0EB1E102K | T | 13.4/9 |
| C906 | 4030017420 | S.CER ECJ0EC1H470J | T | 5.9/5.2 |
| J901 | 6910015881 | CNR 9230B-1-02Z141-PT1 | | |

VOLTAGE DIAGRAM





SERVICE MANUAL

UHF TRANSCEIVER

IC-F43GT
IC-F43GS
IC-F44GT
IC-F44GS

S-14108IZ-C1-①
Apr. 2007

INTRODUCTION

This service manual describes the latest service information for the **IC-F43GT/GS IC-F44GT/GS** UHF TRANSCEIVER at the time of publication.

| MODEL | VERSION | FREQUENCY RANGE | CHANNEL SPACING |
|-----------------------|-------------|-----------------|--------------------|
| IC-F43GT (Ten-key) | MTG-01 | 400–470 MHz | 12.5/25.0 kHz |
| | USA-01 | | |
| | USA-02 | 450–512 MHz | |
| | USA-03 | 380–430 MHz | |
| | USA-04 | 400–470 MHz | |
| | GEN-01 | | |
| | GEN-02 | 450–520 MHz | |
| | AUS-02 | | |
| CHN-01 | 400–470 MHz | | |
| IC-F44GT (Ten-key) | MTE-01 | 400–470 MHz | 12.5/25.0 kHz |
| | EUR-01 | | 12.5/20.0/25.0 kHz |
| IC-F43GS (4-key) | MTG-01 | 400–470 MHz | 12.5/25.0 kHz |
| | USA-01 | | |
| | USA-02 | 450–512 MHz | |
| | USA-03 | 380–430 MHz | |
| | USA-04 | 400–470 MHz | |
| | GEN-01 | | |
| | GEN-02 | 450–520 MHz | |
| | AUS-02 | | |
| CHN-01 | 400–470 MHz | | |
| IC-F44GS (4-key) | MTE-01 | 400–470 MHz | 12.5/25.0 kHz |
| | EUR-01 | | 12.5/20.0/25.0 kHz |

To upgrade quality, any electrical or mechanical parts and internal circuits are subject to change without notice or obligation.

CAUTION

NEVER connect the transceiver to an AC outlet or to a DC power supply that uses more than 8 V. This will ruin the transceiver.

DO NOT expose the transceiver to rain, snow or any liquids.

DO NOT reverse the polarities of the power supply when connecting the transceiver.

DO NOT apply an RF signal of more than 20 dBm (100 mW) to the antenna connector. This could damage the transceiver's front-end.

ORDERING PARTS

Be sure to include the following four points when ordering replacement parts:

- 10-digit Icom parts numbers
- Component name
- Equipment model name and unit name
- Quantity required

<ORDER EXAMPLE>

1110003491 S.IC TA31136FNG IC-F43GT MAIN UNIT 5 pieces
8820001210 Screw 2438 screw IC-F43GT Top cover 10 pieces

Addresses are provided on the inside back cover for your convenience.

Icom, Icom Inc. and ICOM logo are registered trademarks of Icom Incorporated (Japan) in the United States, the United Kingdom, Germany, France, Spain, Russia and/or other countries.



REPAIR NOTES

1. Make sure the problem is internal before disassembling the transceiver.
2. **DO NOT** open the transceiver until the transceiver is disconnected from its power source.
3. **DO NOT** force any of the variable components. Turn them slowly and smoothly.
4. **DO NOT** short any circuits or electronic parts. An insulated tuning tool **MUST** be used for all adjustments.
5. **DO NOT** keep power ON for a long time when the transceiver is defective.
6. **DO NOT** transmit power into a Standard Signal Generator or a Sweep Generator.
7. **ALWAYS** connect a 50 dB to 60 dB attenuator between the transceiver and a Deviation Meter or Spectrum Analyzer when using such test equipment.
8. **READ** the instructions of test equipment thoroughly before connecting a test equipment to the transceiver.

CONTENTS

SECTION 1 SPECIFICATIONS

SECTION 2 INSIDE VIEWS

SECTION 3 DISASSEMBLY INSTRUCTIONS

SECTION 4 OPTIONAL UNITS INSTALLATION

SECTION 5 CIRCUIT DESCRIPITON

| | | |
|-----|----------------------------|-----|
| 5-1 | RECEIVER CIRCUITS..... | 5-1 |
| 5-2 | TRANSMITTER CIRCUITS..... | 5-2 |
| 5-3 | PLL CIRCUITS..... | 5-4 |
| 5-4 | POWER SUPPLY CIRCUITS..... | 5-4 |
| 5-5 | OTHER CIRCUITS..... | 5-5 |
| 5-6 | PORT ALLOCATIONS..... | 5-5 |

SECTION 6 ADJUSTMENT PROCEDURES

| | | |
|-----|---------------------------|-----|
| 6-1 | PREPARATION..... | 6-1 |
| 6-2 | FREQUENCY ADJUSTMENT..... | 6-2 |

SECTION 7 PARTS LIST

SECTION 8 MECHANICAL PARTS

SECTION 9 BOARD LAYOUTS

SECTION 10 VOLTAGE DIAGRAM

| | | |
|------|------------------------|------|
| 10-1 | MAIN UNIT..... | 10-1 |
| 10-2 | PA/ANT/FUSE UNITS..... | 10-3 |

SECTION 11 BC-160

SECTION 1

SPECIFICATIONS

GENERAL

| | | |
|---|--|--|
| • Frequency coverage | : 380.000–430.000 MHz 450.000–512.000 MHz 450.000–520.000 MHz 350.000–390.000 MHz 400.000–470.000 MHz | [USA-03] [USA-01], [USA-02], [USA-04] [GEN-01], [GEN-02] [GEN-04] [others] |
| • Mode | : FM | |
| • Type of emission | : Wide: 16K0F3E (25.0 kHz) Middle: 14K0F3E (20.0 kHz) Narrow: 11K0F3E/8K50F3E (12.5 kHz) | |
| • Number of conventional channels | : 250 ch (LTR/PassPort) 256 ch (16 banks) 32 ch (MPT) | |
| • Antenna impedance | : 50 Ω (nominal) | |
| • Operating temperature range | : –30°C to +60°C (–22°F to +140°F) –25°C to +55°C | except [F44GT/GS] [F44GT/GS] |
| • Power supply requirement | : 7.2 V DC nominal (negative ground) | |
| • Current drain (at 7.2 V DC) | : Receiving 85 mA (stand-by) 300mA (max. audio) Transmitting 1.7 A (4 W) 0.8 A (1 W) | |
| • Dimensions (projections not included) | : 53.0(W) × 120.0(H) × 32.5(D) mm; 2 ³ / ₃₂ (W) × 4 ² / ₃₂ (H) × 1 ⁹ / ₃₂ (D) in | |
| • Weight (with BP-230N+FA-SC57U+MB-94) | : 300 g; 10 ³ / ₈ oz (Approx.) | |

TRANSMITTER

| | | |
|---------------------------------|---|---------------------------------|
| • Output power (at 7.2 V DC) | : High: 4 W, Low: 1 W | |
| • Modulation | : Variable reactance frequency modulation | |
| • Maximum permissible deviation | : ±5.0 kHz (Wide), ±4.0 kHz (Middle), ±2.5 kHz (Narrow) | |
| • Frequency error | : ±2.0 ppm; ±1.5 kHz | |
| • Spurious emissions | : 70 dB (typical) 0.25 μW (≤1 GHz), 1.0 μW (≥1 GHz) | except [F44GT/GS] [F44GT/GS] |
| • Adjacent channel power | : 70 dB min. (Wide/Middle) 60 dB min. (Narrow) | |
| • Audio harmonic distortion | : 3% typical (at 1 kHz, 40% deviation) | |
| • Limiting charact of modulator | : 60–100% of maximum deviation | |
| • FM hum and noise | : 40 dB min. 46 dB typ. (Wide) 34 dB min 40 dB typ. (Narrow) | |
| • Microphone impedance | : 2.2 kΩ | |

RECEIVER

| | | |
|--------------------------------------|--|--|
| • Receive system | : Double conversion superheterodyne system | |
| • Intermediate frequencies | : 1st IF: 46.35 MHz, 2nd IF: 450 kHz 1st IF: 47.25 MHz, 2nd IF: 450 kHz | [others] [USA-03], [GEN-04] |
| • Sensitivity | : 0.25 μV (–119 dBm) typical at 12 dB SINAD –4 dBμV (–111 dBm) emf typ. at 20 dB SINAD | except [F44GT/GS] [F44GT/GS] |
| • Squelch sensitivity (at threshold) | : 0.25 μV typical –4 dBμV (–111 dBm) emf typ. | |
| • Adjacent channel selectivity | : 70 dB min (75 dB typical) for Wide 70 dB min (73 dB typical) for Wide 60 dB min (65 dB typical) for Narrow 60 dB min (63 dB typical) for Narrow | except [F44GT/GS] [F44GT/GS] except [F44GT/GS] [F44GT/GS] |
| • Spurious response | : 70 dB | |
| • Intermodulation rejection ratio | : 70 dB min (74 dB typical) 65 dB min (67 dB typical) | except [F44GT/GS] [F44GT/GS] |
| • Audio output power | : 0.5 W typical at 5% distortion with an 8 Ω load | |
| • Output impedance (Audio) | : 8 Ω | |

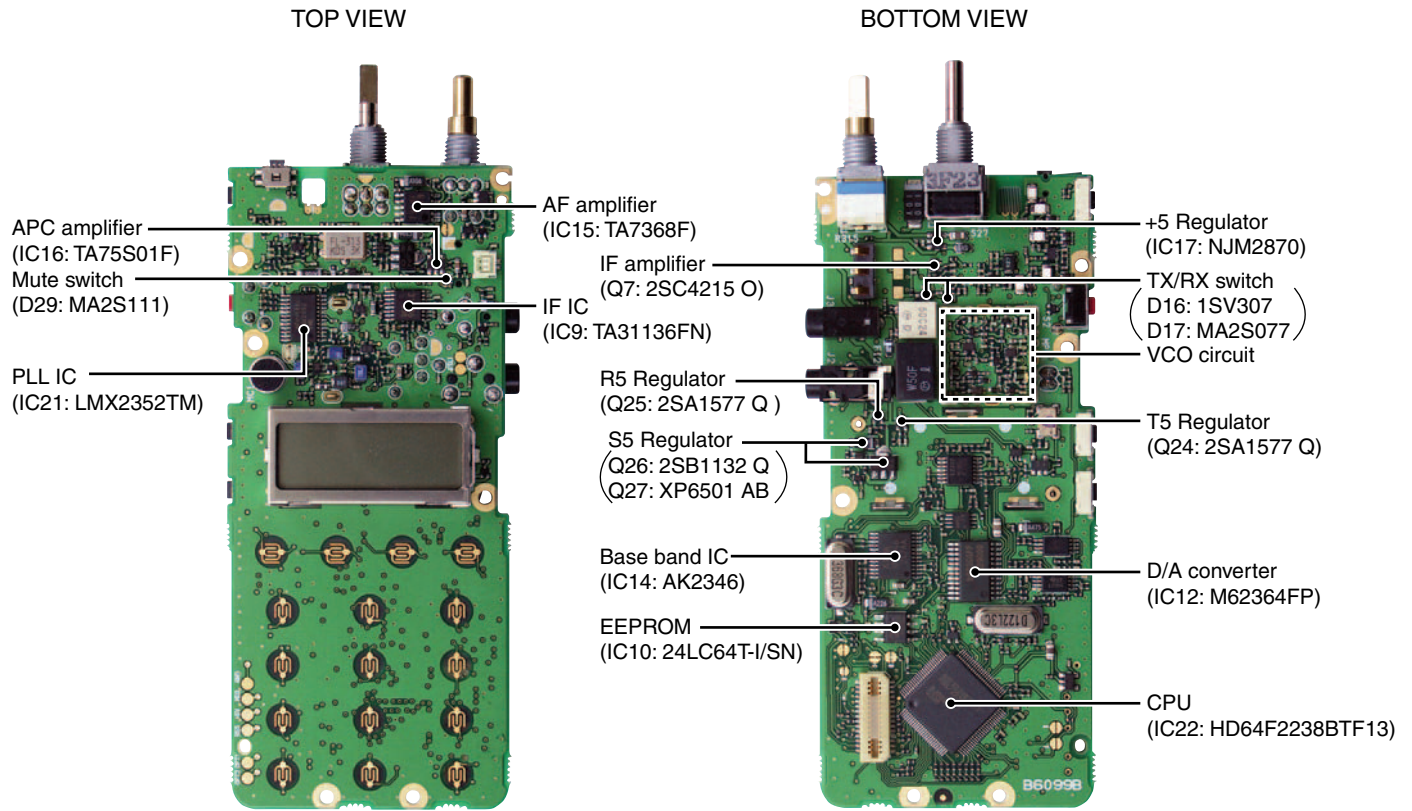
Specifications are measured in accordance with EIA-152-C/204D, TIA-603 or EN 300 086.

All stated specifications are subject to change without notice or obligation.

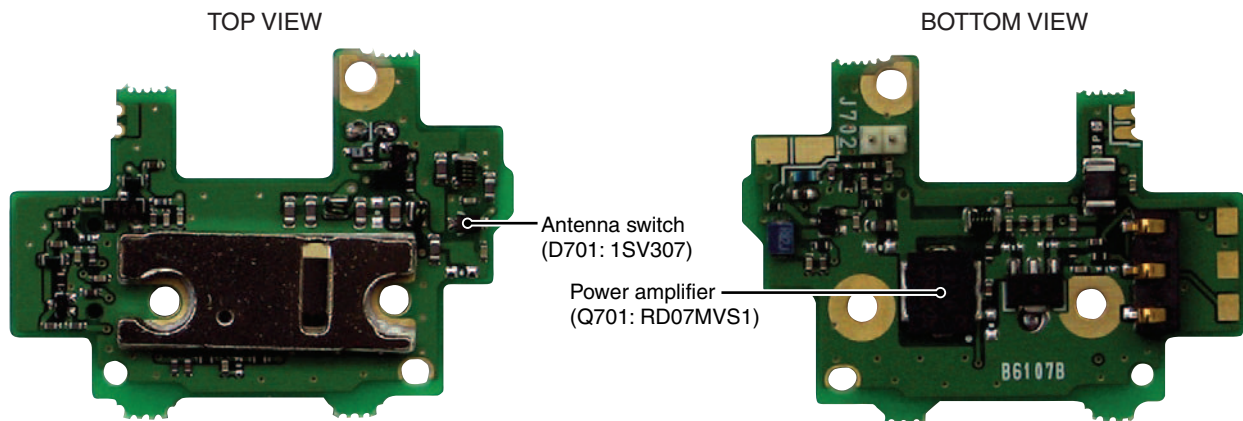
SECTION 2

INSIDE VIEWS

• MAIN UNIT



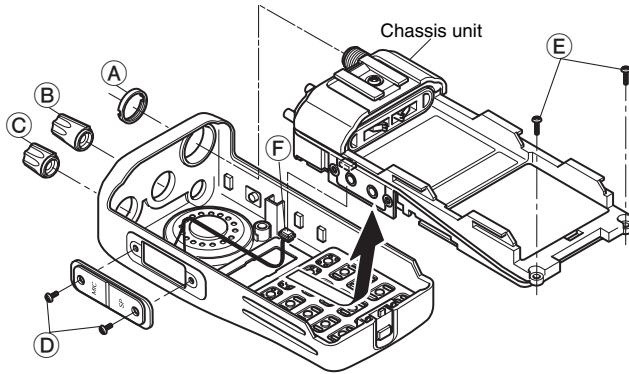
• PA UNIT



SECTION 3 DISASSEMBLY INSTRUCTION

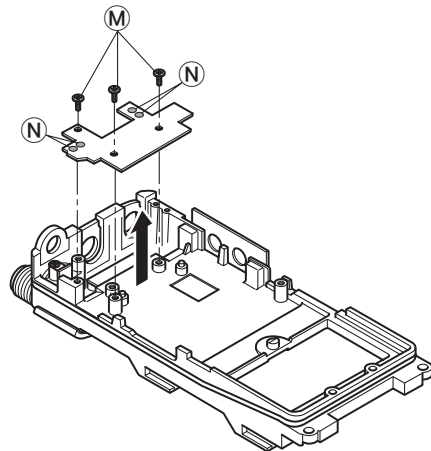
• REMOVING THE CHASSIS UNIT

- ① Unscrew 1 nut (A), and remove 2 knobs (B), (C).
- ② Unscrew 2 screws (D).
- ③ Unscrew 2 screws (E).
- ④ Take off the chassis unit in the direction of the arrow.
- ⑤ Unplug the connector (F) from the chassis unit.



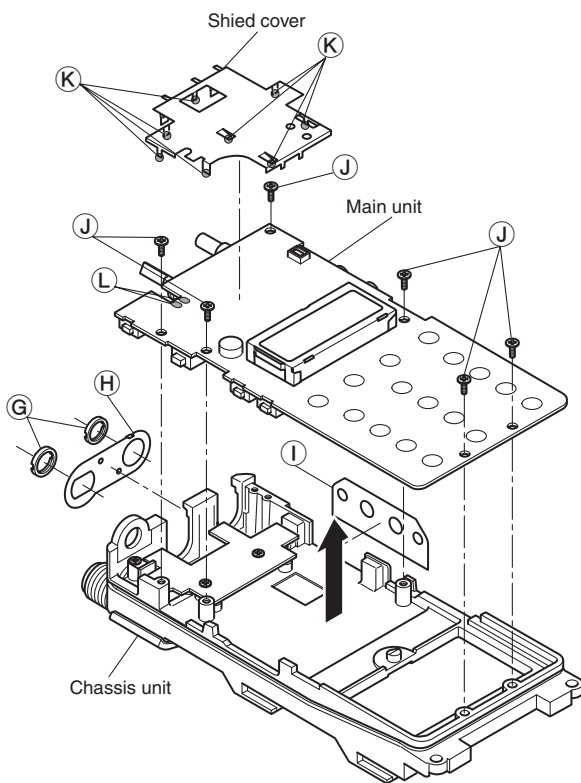
• REMOVING THE PA UNIT

- ① Unscrew 3 screws (M).
- ② Unsolder 4 points (N), and take off the PA unit in the direction of the arrow.



• REMOVING THE MAIN UNIT

- ① Unscrew 2 nuts (G), and remove the top plate (H).
- ② Remove the side plate (I).
- ③ Unscrew 6 screws (J).
- ④ Unsolder 8 points (K), and remove the main shield.
- ⑤ Unsolder 2 points (L), and take off the main unit in the direction of the arrow.



SECTION 4 OPTIONAL UNIT INSTALLATION

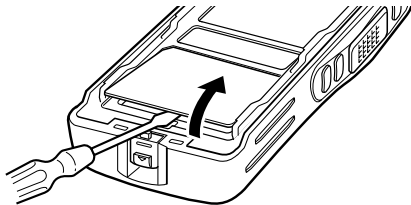
Install the optional unit as follows:

① Rotate [VOL] to turn the power OFF, and remove the battery pack.

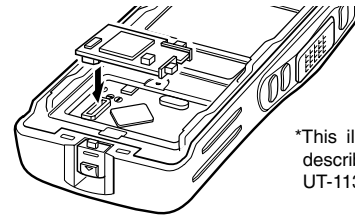
② Remove the unit cover.

NOTE: Use a flat head screw driver or a similar flat instrument, and insert into the hollow of the chassis, then lift and take away the unit cover.

Use the supplied spare unit cover! Do not use the cover that has been removed once. Water or dust may get into the transceiver because the cover may be bent or has lost its adhesion. This may result in the transceiver being damaged.



③ Install the unit as shown below.



*This illustration is described with the UT-113.

④ Replace the unit cover and the battery pack, then rotate [VOL] to turn the power ON.

NOTE: The optional UT-109/UT-110 SCRAMBLER UNITS, UT-105 SmarTrunk II™ LOGIC BOARD or UT-117/UT-117S SmarTrunk 3G™ LOGIC BOARD requires some PC board modifications. Please refer to the additional installation on next page.

■ UT-109 and UT-110 installation

The following PC board modification is required when installing the optional UT-109 or UT-110:

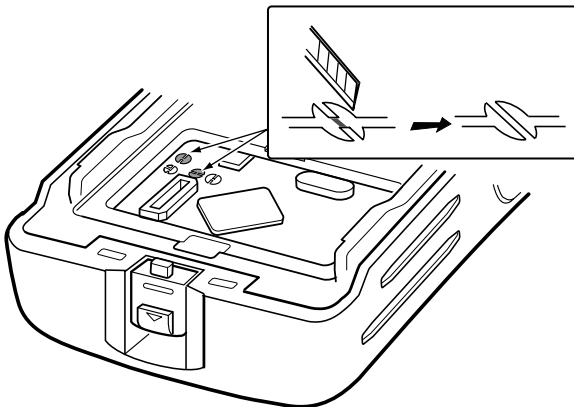
① Rotate [VOL] to turn the power OFF, and remove the battery pack.

② Remove the unit cover as shown above.

③ Cut the pattern on the PCB at the TX mic circuit (MIC) and RX AF circuit (DISC) as shown below.

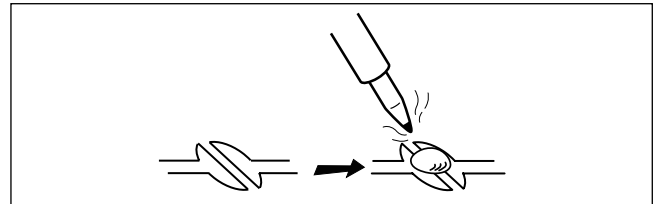
④ Install the scrambler unit as described above.

⑤ Replace the unit cover and the battery pack, then rotate [VOL] to turn the power ON.



NOTE: When uninstalling the scrambler unit

Be sure to re-solder the disconnected points at left, otherwise no TX modulation or AF output is available.

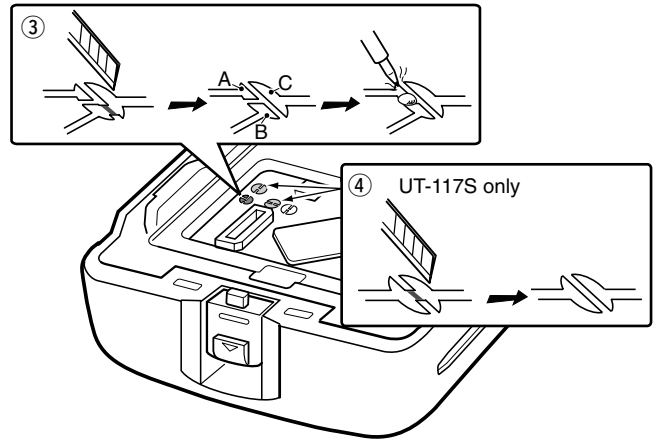


■ UT-105, UT-117 and UT-117S installation

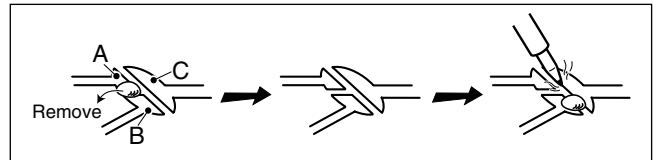
The following PC board modification is required when installing the optional UT-105, UT-117 or UT-117S:

- ① Rotate **[VOL]** to turn the power OFF, and remove the battery pack.
- ② Remove the unit cover as described above.
- ③ Cut and solder the pattern on the PCB at the RX AF circuit as shown at right.
- /// The next step ④ is necessary for the UT-117S installation.
- /// Go to step ⑤ to install the UT-105 or UT-117.

- ④ Cut the pattern on the PCB at the TX mic circuit (MIC) and RX AF circuit (DISC) as shown at right.
- ⑤ Install the UT-105/UT-117/UT-117S as described above.
- ⑥ Replace the unit cover and the battery pack, then rotate **[VOL]** to turn the power ON.



/// **NOTE: When uninstalling the SmarTrunk 3G™ unit**
Be sure to un-solder A and B, and re-solder B and C as shown below, otherwise no AF output is available.
Moreover, the UT-117S is required to re-solder the TX mic circuit (MIC) and RX AF circuit (DISC).



5-1 RECEIVER CIRCUITS

5-1-1 ANTENNA SWITCHING CIRCUIT (PA UNIT)

The antenna switching circuit functions as a low-pass filter while receiving and a resonator circuit while transmitting. This circuit does not allow transmit signals to enter the receiver circuits. Received signals enter the antenna connector (CHASSIS; J1) and pass through the low-pass filter (ANT unit; L801, L802, C803, C806). The filtered signals are passed through the 1/4 type antenna switching circuit (D701, D704, L712) and then applied to the RF circuit.

5-1-2 RF CIRCUIT (MAIN UNIT)

The RF circuit amplifies signals within the range of frequency coverage and filters out-of-band signals.

The signals from the antenna switching circuit pass through the two-stage tunable bandpass filters (D19, D20, D24, D25, L7, L8, C27, C369). The filtered signals are amplified at the RF amplifier (Q5) and then passed through the another twostage tunable bandpass filters (D14, D15, C39, C45) to suppress unwanted signals. The filtered signals are applied to the 1st mixer circuit. D14, D15, D19, D20, D24 and D25 employ varactor diodes, that are controlled by the CPU via the D/A converter (IC12), to track the bandpass filter. These varactor diodes tune the center frequency of an RF passband for wide bandwidth receiving and good image response rejection.

5-1-3 1ST MIXER AND 1ST IF CIRCUITS (MAIN UNIT)

The 1st mixer circuit converts the received signal into fixed frequency of the 1st IF signal with the PLL output frequency.

By changing the PLL frequency, only the desired frequency passes through a crystal filter at the next stage of the 1st mixer.

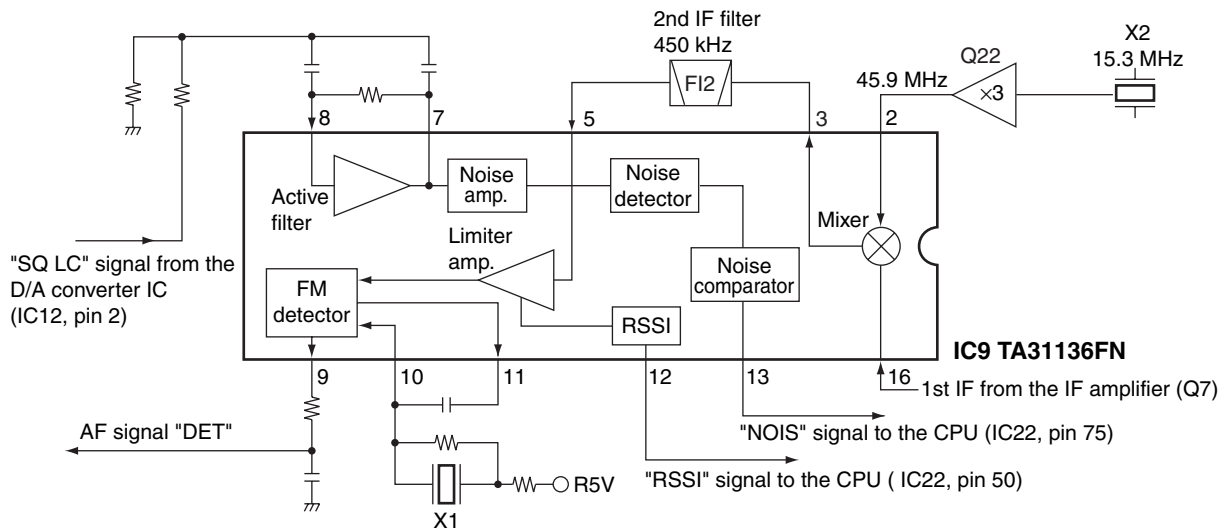
The RF signals from the bandpass filter are mixed with the 1st LO signals, where come from the RX VCO circuit via the low-pass filter (L46, C396, C397), at the 1st mixer circuit (Q6) to produce a 46.35 MHz 1st IF signal. The 1st IF signal is passed through a monolithic filter (F11) in order to obtain selection capability and to pass only the desired signals. The filtered signal is applied to the 2nd IF circuit after being amplified at the 1st IF amplifier (Q7).

5-1-4 2ND IF AND DEMODULATOR CIRCUITS (MAIN UNIT)

The 2nd mixer circuit converts the 1st IF signal into a 2nd IF signal. The double-conversion superheterodyne system (which convert receive signals twice) improves the image rejection ratio and obtains stable receiver gain.

The 1st IF signal from the IF amplifier (Q7) is applied to the 2nd mixer section of the FM IF IC (IC9, pin 16), and is mixed with the 2nd LO signal to be converted into a 450 kHz 2nd IF signal. The FM IF IC (IC9) contains the 2nd mixer, 2nd local oscillator, limiter amplifier, quadrature detector, active filter and noise amplifier circuits. A 2nd LO signal (45.9 MHz) is produced at the PLL circuit by tripling it's reference frequency (15.3 MHz).

• 2ND IF AND DEMODULATOR CIRCUITS



The 2nd IF signal from the 2nd mixer (IC9, pin 3) passes through the ceramic filter (F12) to remove unwanted heterodyned frequencies. It is then amplified at the limiter amplifier section (IC9, pin 5) and applied to the quadrature detector section (IC9, pins 10, 11) to demodulate the 2nd IF signal into AF signals.

The demodulated AF signals are output from pin 9 (IC9) and applied to the base band IC (IC14).

5-1-5 AF AMPLIFIER CIRCUIT (MAIN UNIT)

The AF amplifier circuit amplifies the demodulated AF signals to drive a speaker. This transceiver employs the base band IC which is composed of pre-amplifier, expander, scrambler, MSK de-modulator, etc. at the AF amplifier section.

The AF signals from the FM IF IC (IC9, pin 9) are amplified at the AF amplifier section in the base band IC (IC14, pin 23), and are then applied to the high-pass filter and low-pass filter section of it.

The filtered signals pass through the high-pass filter to suppress unwanted harmonic components. The signals pass through (or bypass) scrambler and expander sections. The signals are amplified at the amplifier section in the base band IC (IC14).

The output signals from IC14 (pin 20) pass through the lowpass filter section (IC23), and are then applied to the AF volume (R315), and AF power amplifier (IC15).

5-1-6 SQUELCH CIRCUITS (MAIN UNIT)

• NOISE SQUELCH

A squelch circuit cuts out AF signals when no RF signals are received. By detecting noise components in the AF signals, the squelch circuit switches the AF amplifier control.

Some noise components in the AF signals from the FM IF IC (IC9, pin 9) are passed through the D/A converter (IC12, pin 1). The signals are applied to the active filter section in the FM IF IC (IC9, pin 8). The active filter section filters and amplifies noise components. The amplified signals are converted into the pulse-type signals at the noise detector section. The detected signals output from pin 13 (NOIS) via the noise comparator section.

The "NOIS" signal from the FM IF IC is applied to the CPU (IC22, pin 75). Then the CPU analyzes the noise condition and outputs the AF mute signal as "AFON" from the pin 70 to the AF power controller (Q41, Q42).

• CTCSS AND DTCS

The tone squelch circuit detects tone signals and opens the squelch only when receiving a signal containing a matching subaudible tone (CTCSS or DTCS). When tone squelch is in use, and a signal with a mismatched or no subaudible tone is received, the tone squelch circuit mutes the AF signals even when noise squelch is open.

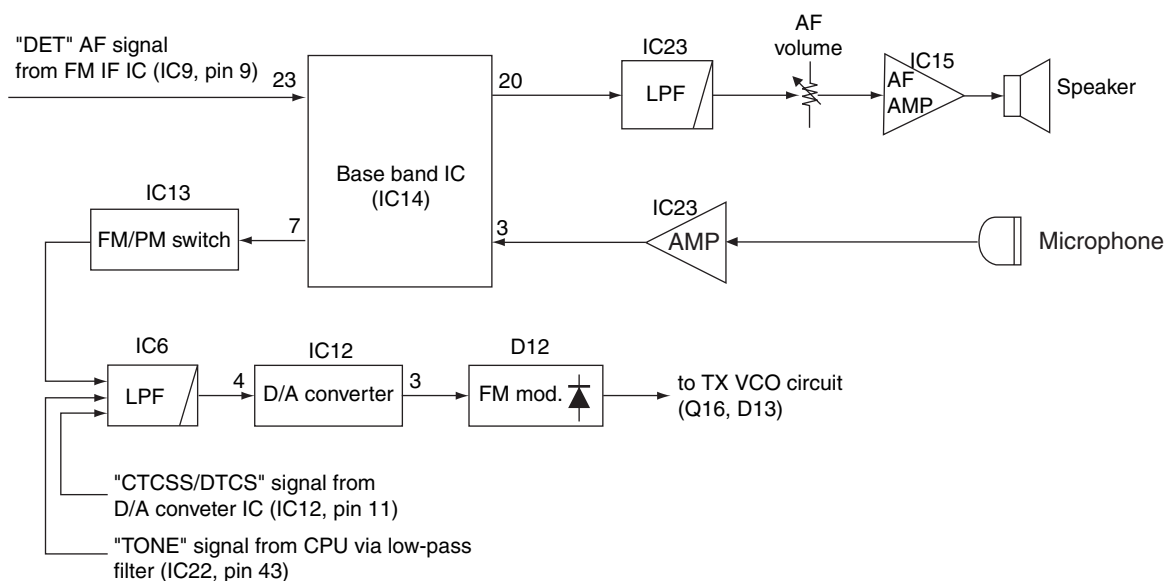
A portion of the "DET" AF signals from the FM IF IC (IC9, pin 9) pass through the low-pass filter (IC19, pin 5) to remove AF (voice) signals, and are then applied to the amplifier (IC19, pin 3). The amplified signals are applied to the CTCSS or DTCS decoder in the CPU (IC22, pin 46) via the "CDEC" line. The CPU outputs AF mute control signal and tone mute circuit (Q502) controls via the "MUTE" line.

5-2 TRANSMITTER CIRCUITS

5-2-1 MICROPHONE AMPLIFIER CIRCUIT (MAIN UNIT)

The microphone amplifier circuit amplifies audio signals within +6 dB/octave pre-emphasis characteristics from the microphone to a level needed for the modulation circuit. This transceiver employs the base band IC which is com-

• AF AND MIC AMPLIFIER CIRCUITS



posed of microphone amplifier, compressor, scrambler, limiter, splatter filter, MSK modulator, etc. at the microphone amplifier section.

The AF signals (MIC) from the microphone (MC1) are applied to the amplifier (IC23, pins 6, 7). The amplified signals are applied to the microphone amplifier section of the base band IC (IC14, pins 3, 4). The amplified signals are passed through or bypass the compressor, scrambler sections of IC14, and are then passed through the high-pass, limiter amplifier, splatter filter sections of IC14.

The filtered AF signals are applied to the FM/PM switch (IC13, pin 6), and pass through the low-pass filter (IC6, pin 2). The filtered signals are applied to the D/A converter (IC12, pin 4). The output signals from the D/A converter (IC12, pin 3) are applied to the modulation circuit (D12).

5-2-2 MODULATION CIRCUIT (MAIN UNIT)

The modulation circuit modulates the VCO oscillating signal (RF signal) using the microphone audio signals.

The AF signals from the D/A converter (IC12, pin 3) change the reactance of varactor diode (D12) to modulate the oscillated signal at the TX VCO circuit (Q16, D10). The modulated VCO signal is amplified at the buffer amplifiers (Q15, Q29) and is then applied to the drive amplifier circuit via the T/R switch (D16).

The CTCSS/DTCS signals ("CENC0", "CENC1", "CENC2" from the CPU (IC22, pins 13, 15, 16) pass through the lowpass filter (IC6, pins 12, 14), and are then applied to the D/A converter via the "TONC" line (IC12, pin 12). The output signal from the D/A converter (IC12, pin 11) are mixed with "MOD" signal after pass through the low-pass filter (IC6).

The mixed signals are applied to the D/A converter (IC12, pin 3, 4), and are then applied to the D12 in the VCO circuit.

5-2-3 DRIVE/POWER AMPLIFIER CIRCUITS (PA UNIT)

The drive/power amplifier circuits amplify the VCO oscillating signal to an output power level.

The signal from the VCO circuit passes through the T/R switch (MAIN unit; D16), and is amplified at the YGR (Q703, Q704), drive (Q702), power (Q701) amplifiers to obtain 4 W of RF power (at 7.2 V DC).

The amplified signal is passed through the low-pass filter (L704, C711, C712, C713, C755), power detector (D702, D703), antenna switching circuit (D701) and another lowpass filters (PA unit; L709, C744, C745), (ANT unit; L801, L802, C802, C803, C804, C805), and is then applied to the antenna connector (CHASSIS unit; J1).

The bias current of the drive (Q702) and power (Q701) amplifiers are controlled by the APC circuit.

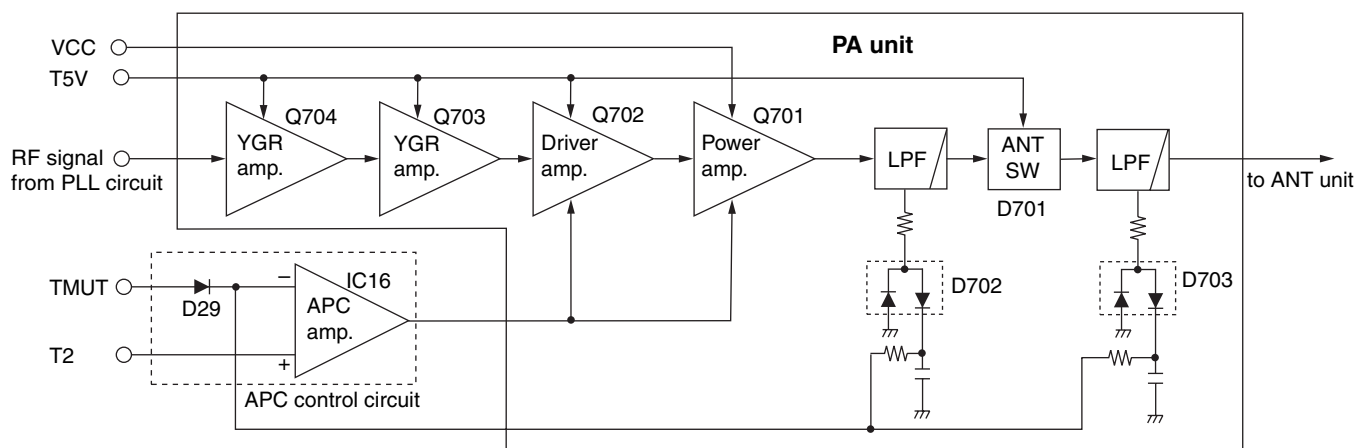
5-2-4 APC CIRCUIT (PA AND MAIN UNITS)

The APC circuit protects the drive and power amplifiers from excessive current drive, and selects output power of HIGH or LOW.

The power detector circuit (PA unit; D702, D703) detects the transmit power output level and converts it into DC voltage. The output voltage is at a minimum level when the antenna impedance is matched with 50 Ω and is increased when it is mismatched.

The detected voltage is applied to the differential amplifier

• APC CIRCUIT



(MAIN unit; IC16; pin 3), and the "T2" signal from the D/A converter (MAIN unit; IC12, pin 23), controlled by the CPU (MAIN unit; IC22), is applied to the other input for reference.

When antenna impedance is mismatched, the detected voltage exceeds the power setting voltage. Then the output voltage of the differential amplifier (MAIN unit; IC16, pin 4) controls the input current of the drive (PA unit; Q702) and power (PA unit; Q701) amplifiers to reduce the output power.

5-3 PLL CIRCUITS

5-3-1 PLL CIRCUIT (MAIN UNIT)

A PLL circuit provides stable oscillation of the transmit frequency and receive 1st LO frequency. The PLL output compares the phase of the divided VCO frequency to the reference frequency. The PLL output frequency is controlled by the divided ratio (N-data) of a programmable divider.

The PLL circuit contains the TX and RX VCO circuits (Q16, Q17, D9–D13). The oscillated signal is amplified at the buffer amplifiers (Q14, Q15) and then applied to the PLL IC (IC21, pin 6) after being passed through the low-pass filter (L32, C206, C208).

The PLL IC contains a prescaler, programmable counter, programmable divider and phase detector, etc. The applied signal is divided at the prescaler and programmable counter section by the N-data ratio from the CPU. The divided signal is detected on phase at the phase detector using the reference frequency.

If the oscillated signal drifts, its phase changes from that of the reference frequency, causing a lock voltage change to compensate for the drift in the oscillated frequency.

5-3-2 VCO CIRCUITS (MAIN UNIT)

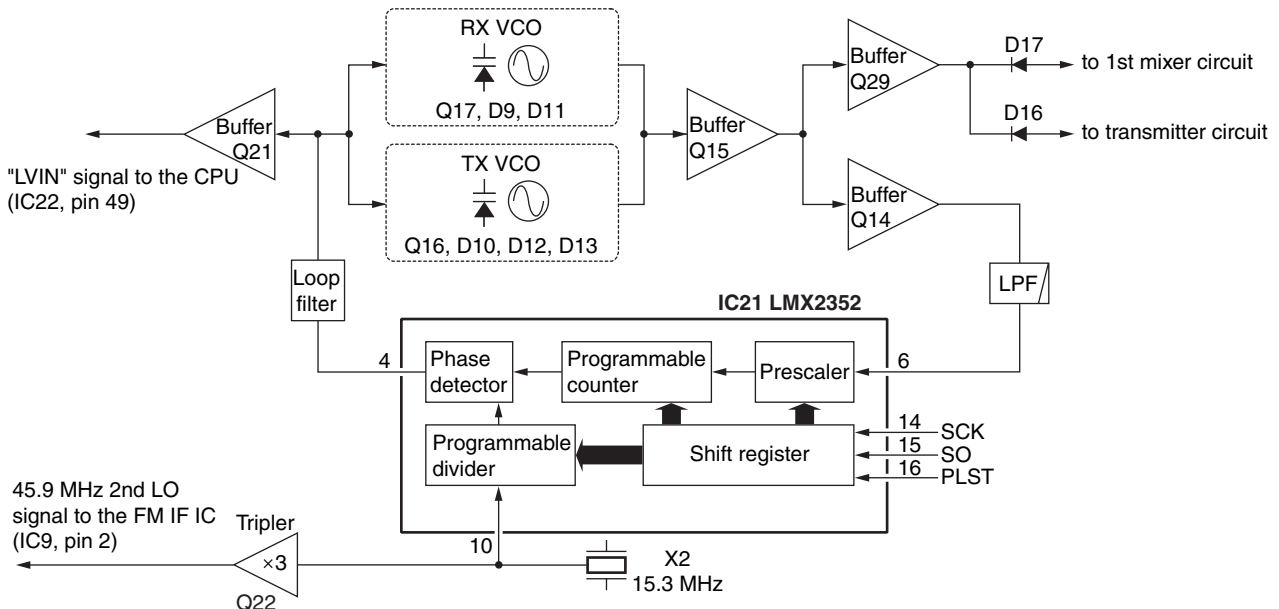
The VCO circuits contains a separate RX VCO (Q17, D9, D11) and TX VCO (Q16, D10, D12, D13). The oscillated signal is amplified at the buffer amplifiers (Q15, Q29) and is then applied to the T/R switch (D16, D17). Then the receive 1st LO (Rx) signal is applied to the 1st mixer (Q6) and the transmit (Tx) signal to the YGR amplifier circuit (PA unit; Q704).

A portion of the signal from the buffer amplifier (Q15) is fed back to the PLL IC (IC21, pin 6) via the buffer amplifier (Q14) as the comparison signal.

5-4 POWER SUPPLY CIRCUITS

| LINE | DESCRIPTION |
|------|--|
| VCC | The voltage from the connected battery pack. |
| +5V | Common 5 V converted from the VCC line at the +5 regulator circuit (IC17). The output voltage is supplied to buffer amplifiers (Q21), PLL IC (IC21), etc. |
| S5V | Common 5 V converted from the VCC line at the S5 regulator circuit (Q26–Q28). The output voltage is supplied to the ripple filter (Q20), etc. |
| R5V | Receive 5 V converted from the S5V line at the R5 regulator circuit (Q25). The output voltage is supplied to the tripler (Q22), FM IF IC (IC9), IF amplifier (Q7), 1st mixer (Q6), RF amplifier (Q5), etc. |
| T5V | Transmit 5 V converted from the S5V line at the T5 regulator circuit (Q24). The output voltage is supplied to the APC amplifier (IC16), PA unit, etc. |

• PLL CIRCUIT



5-5 OTHER CIRCUITS

5-5-1 COMPANDER CIRCUIT (MAIN UNIT)

IC-F43GT/GS/F44GT/GS have compander circuit which can improve S/N ratio and become wide dynamic range. The circuit is composed in the base band IC (IC14).

(1) IN CASE OF TRANSMITTING

The audio signals from the microphone are applied to the base band IC (IC14, pin 3) via microphone amplifier (IC23). The signals are amplified at the amplifier section, and are then applied to the compressor circuit to compress the audio signals. The signals pass through (or bypass) scrambler section, and are then applied to the limiter section after being passed through the high-pass filter. The filtered signals pass through the splatter filter section, and are then applied to the modulation circuit (D12) via the FM/PM switch (IC13), low-pass filter (IC6) and D/A converter (IC12).

(2) IN CASE OF RECEIVING

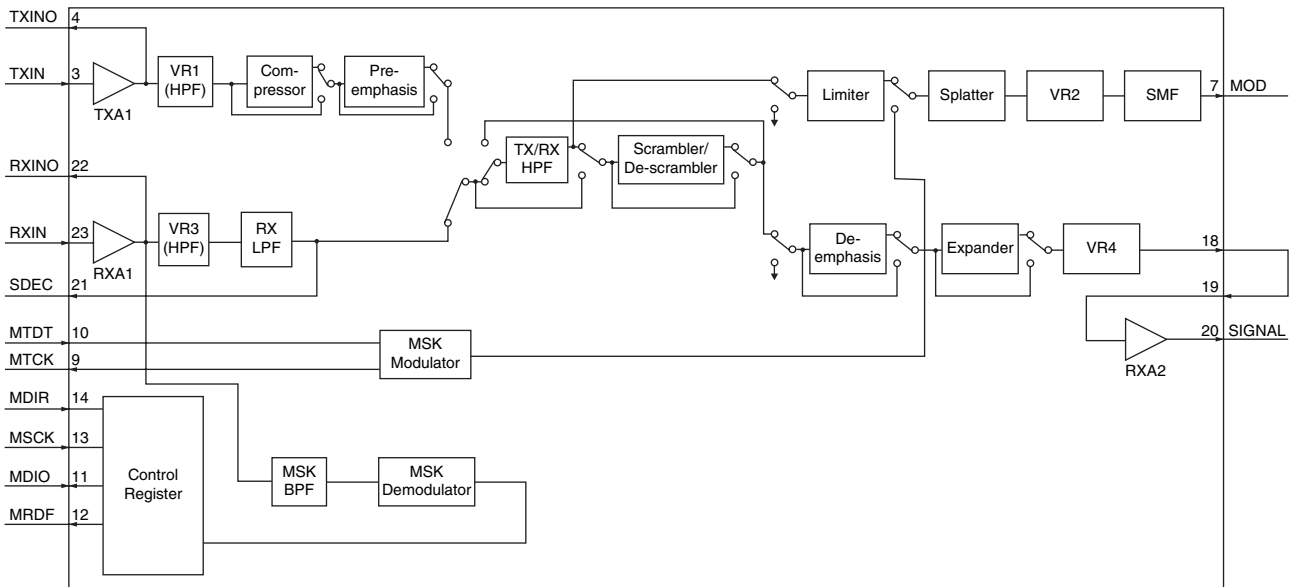
The demodulated AF signals from the IF IC are applied to the amplifier section in base band IC (IC14, pin 23), and then pass through the low-pass and high-pass filter section to suppress unwanted signals. The filtered signals pass through (or bypass) scrambler section, and are then applied to the expander circuit to expand AF signals. The signals are applied to the base band IC's amplifier section (IC14, pins 19, 20), and are then applied to the AF amplifier circuit.

5-6 PORT ALLOCATIONS

5-6-1 D/A CONVERTOR IC (IC12)

| Pin number | Port name | Description |
|------------|-----------|--|
| 10 | BAL | Outputs the modulation balance level control signal. The signal is applied to the buffer amplifier (IC24, pin 1). |
| 14 | TLVA | Outputs the TX VCO lock voltage control signal. |
| 15 | RLVA | Outputs the RX VCO lock voltage control signal. |
| 22 | T1 | Outputs the bandpass filter tuning signal. The output signal is applied to the bandpass filters (D19, D20, D24, D25). |
| 23 | T2 | <ul style="list-style-type: none"> Outputs the bandpass filter tuning signal. The output signal is applied to the bandpass filters (D14, D15). Outputs the TX power control signal. The output signal is applied to the APC amplifier (IC16, pin 1). |

• BASEBAND IC BLOCK DIAGRAM



5-6-2 CPU (MAIN unit; IC22)

| Pin number | Port name | Description |
|------------|-------------|---|
| 13, 15, 16 | CENC0–CENC2 | Output the CTCSS/DTCS signals. |
| 29 | REF | Outputs the reference oscillator correcting voltage. The voltage is applied to the buffer amplifier (IC24, pin3). |
| 30 | PLST | Outputs strobe signals to the PLL IC (IC21, pin 16). |
| 34 | PMFM | Outputs the FM/PM modulation switching signal to the FM/PM switch (IC13, pin 5). High: PM is selected. |
| 35 | MDIO | I/O port for the serial data signals from/to the base band IC (IC14, pin 11). |
| 36 | MSCK | Outputs clock signal to the base band IC (IC14, pin 13). |
| 37 | MDIR | Outputs serial data control signal to the base band IC (IC14, pin 14). |
| 38 | MTCK | Input port for the transmitting MSK clock signal from the base band IC (IC14, pin 9). |
| 39 | MTDT | Outputs MSK data for transmitting to the base band IC (IC14, pin 10). |
| 40 | MRDF | Input port for the receiving MSK detection signal from the base band IC (IC14, pin 12). |
| 41 | DAST | Outputs strobe signals to the D/A convertor (IC12, pin 6). |
| 43 | SENC | Output single tone encoder signal. |
| 44 | BEEP | Outputs beep audio signals. |
| 45 | SDEC | Input port for single tone decode signal from the base band IC (IC14, pin 21). |
| 46 | CDEC | Input port for CTCSS/DTCS signal from the amplifier (IC19, pin 1). |
| 48 | BATV | Input port for the detect signal for connecting battery pack's voltage. |
| 49 | LVIN | Input port for the PLL lock voltage. |
| 50 | RSSI | Input port for the S-meter signal from the FM IF IC (IC9, pin 12). |
| 51 | TEMP | Input port for the transceiver's internal temperature detecting signal. |
| 69 | CSFT | Outputs shift signal for reference oscillator's frequency. |
| 70 | AF | Outputs audio control signal. Low: Outputs audio signals from speaker. |

| Pin number | Port name | Description |
|------------|-----------|--|
| 74 | PTT | Input port for the PTT switch detection signal. Low: While the PTT switch is pushed. |
| 75 | NOIS | Input port for the noise signal from the FM IF IC (IC9, pin 13). |
| 76 | SO | Outputs serial data to the PLL IC (IC21, pin 15) and D/A convertor (IC12, pin 8). |
| 78 | SCK | Outputs serial clock signal to the PLL IC (IC21 pin 14), D/A convertor (IC12, pin 7), etc. |
| 79 | CLI | Input port for the cloning data signal. |
| 80 | CLO | Outputs the cloning data signal. |
| 82 | ESDA | I/O port for data signals from/to the EEPROM (IC10, pin 5). |
| 85 | ESCL | Outputs clock signal to the EEPROM (IC10, pin 6). |
| 86 | S5C | Outputs the S5 regulator (Q26–Q28) control signal. Low: While the S5 regulator outputs 5 V voltage. |
| 86 | T5C | Outputs the T5 regulator (Q24) control signal. Low: While transmitting. |
| 87 | R5C | Outputs the R5 regulator (Q25) control signal. Low: While receiving. |
| 88 | TMUT | Outputs the transmitting mute switch control signal to the mute switch (D29). High: While muting. |
| 90 | ULCK | Input port for the PLL unlock signal. Low: The PLL circuit is unlocked. |

SECTION 6 ADJUSTMENT PROCEDURE

6-1 PREPARATION

When adjusting IC-F43GT/F43GS/F44GT/F44GS, the optional CS-F33G ADJ ADJUSTMENT SOFTWARE (Rev. 1.0 or later), OPC-478 CLONING CABLE (RS-232C type), OPC-478U CLONING CABLE (USB type) and a JIG CABLE (see illustration at page 5-3) are required.

■ REQUIRED TEST EQUIPMENT

| EQUIPMENT | GRADE AND RANGE | EQUIPMENT | GRADE AND RANGE |
|-------------------------------------|--|---------------------------------|--|
| DC power supply | Output voltage : 7.2 V DC Current capacity : 5 A or more | Audio generator | Frequency range : 300–3000 Hz Output level : 1–500 mV |
| FM deviation meter | Frequency range : DC–800 MHz Measuring range : 0 to ±10 kHz | Attenuator | Power attenuation : 20 or 30 dB Capacity : 10 W or more |
| Frequency counter | Frequency range : 0.1–800 MHz Frequency accuracy : ±1 ppm or better Sensitivity : 100 mV or better | Standard signal generator (SSG) | Frequency range : 100–800 MHz Output level : 0.1 μV to 32 mV (–127 to –17 dBm) |
| Digital multimeter | Input impedance : 10 MΩ/V DC or better | DC voltmeter | Input impedance : 50 kΩ/V DC or better |
| RF power meter (terminated type) | Measuring range : 1–10 W Frequency range : 100–800 MHz Impedance : 50 Ω SWR : Better than 1.2 : 1 | Oscilloscope | Frequency range : DC–20 MHz Measuring range : 0.01–20 V |
| | | AC millivoltmeter | Measuring range : 10 mV–10 V |

■ SYSTEM REQUIREMENTS

- Microsoft® Windows® 98/98SE/Me/2000
- RS-232C serial port (D-sub 9 pin)
- USB port

■ ADJUSTMENT SOFTWARE INSTALLATION

- ① Boot up Windows.
 - Quit all applications when Windows is running.
- ② Insert the cloning software CD into the appropriate CD drive.
- ③ Select 'Run' from the [Start] menu.
- ④ Type the setup program name using the full path name, then push [Enter] key.
(For example; D:\Setup.exe)
- ⑤ Follow the prompts.
- ⑥ Program group 'CS-F33G ADJ' appears in the 'Programs' folder of the [Start] menu.

■ BEFORE STARTING SOFTWARE ADJUSTMENT

Program the adjustment frequencies into the transceiver using with the CS-F33G before starting the software adjustment. Otherwise, the transceiver can not start software adjustment.

CAUTION! BACK UP the originally programmed memory data in the transceiver before programming the adjustment frequencies.

When program the adjustment frequencies into the transceiver, the transceiver's memory data will be overwritten and lose original memory data at the same time.

Microsoft and Windows are registered trademarks of Microsoft Corporation in the U.S.A. and other countries.

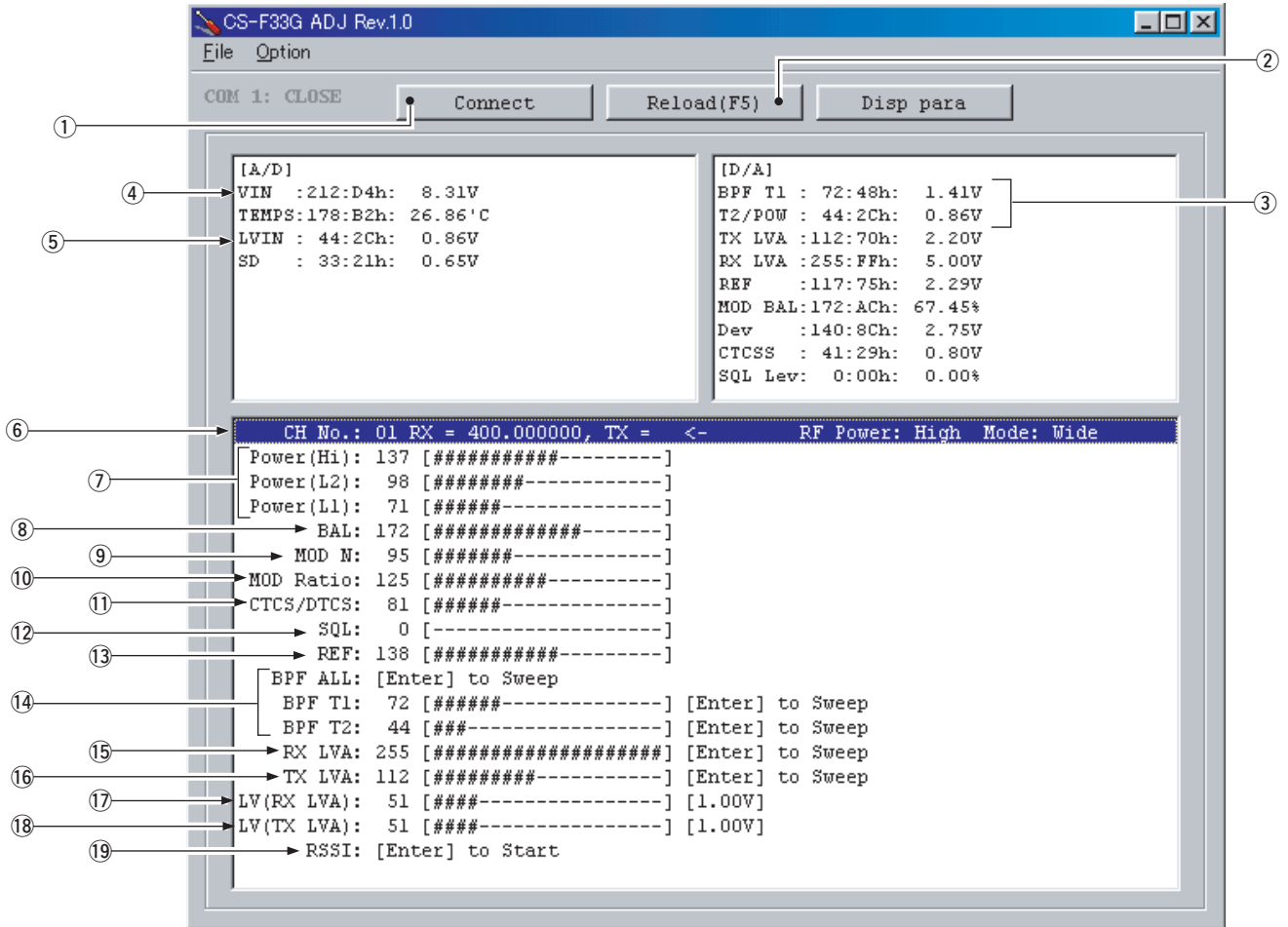
■ STARTING SOFTWARE ADJUSTMENT

- ① Connect the transceiver and PC with the OPC-478/U and JIG CABLE.
- ② Turn the transceiver power ON.
- ③ Boot up Windows, and click the program group 'CS-F33G ADJ' in the 'Programs' folder of the [Start] menu, then CS-F33G ADJ's window appears.
- ④ Click 'Connect' on the CS-F33G's window, then appears the transceiver's adjustment screen.
- ⑤ Set or modify adjustment data as desired.

• ADJUSTMENT FREQUENCY LIST

| CH | FREQUENCY | | ADJUSTMENT ITEM |
|----|-------------|-------------|---|
| | LOW BAND | HIGH BAND | |
| 1 | 400.000 MHz | 450.000 MHz | TX power : High Bandwidth : Wide |
| 2 | 400.000 MHz | 450.000 MHz | TX power : Low2 Bandwidth : Wide |
| 3 | 400.000 MHz | 450.000 MHz | TX power : Low Bandwidth : Wide |
| 4 | 435.000 MHz | 485.000 MHz | TX power : High Bandwidth : Narrow |
| 5 | 435.000 MHz | 485.000 MHz | TX power : High Bandwidth : Wide |
| 6 | 435.000 MHz | 485.000 MHz | TX power : High CTCSS : 151.4 Hz DTCS code: 007 Bandwidth : Wide |
| 7 | 470.000 MHz | 520.000 MHz | TX power : High Bandwidth : Wide |
| 8 | 435.000 MHz | 485.000 MHz | TX power : High Bandwidth : Middle |

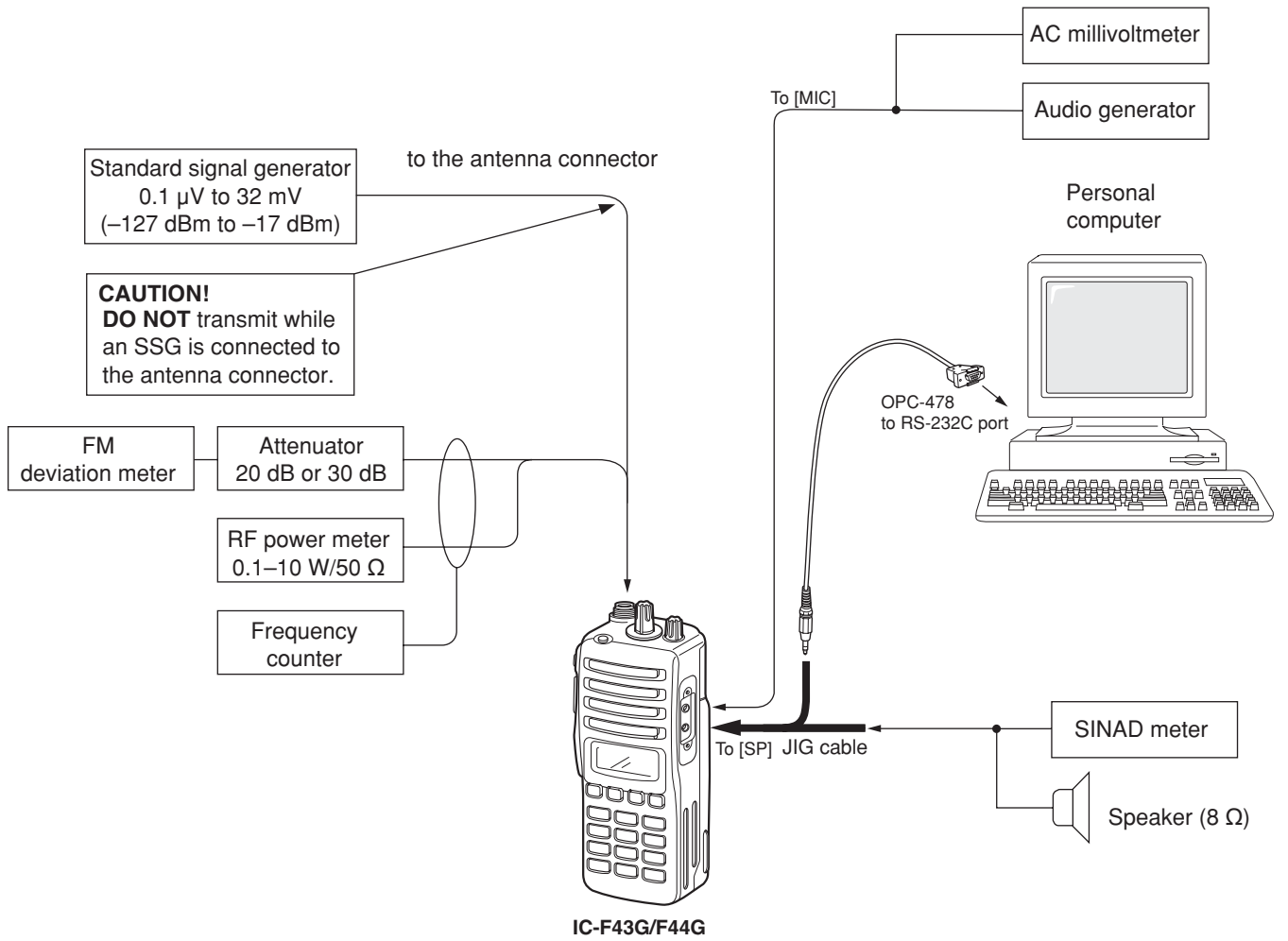
• CS-F33G ADJ'S SCREEN EXAMPLE



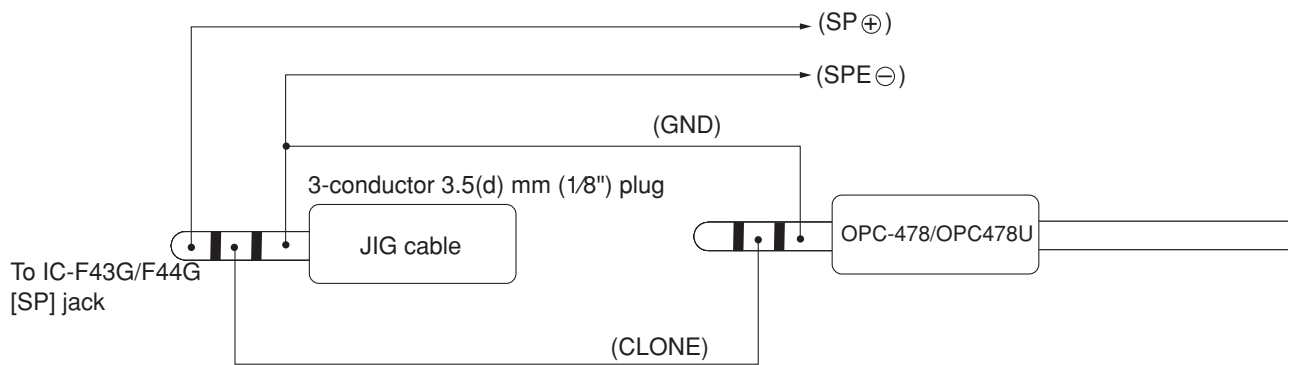
NOTE: The above values for settings are example only.
Each transceiver has its own specific values for each setting.

- | | |
|-------------------------------------|--|
| ①: Transceiver's connection state | ⑪: CTCSS/DTCS deviation |
| ②: Reload adjustment data | ⑫: Squelch level |
| ③: Receive sensitivity measurement | ⑬: Reference frequency |
| ④: Connected DC voltage measurement | ⑭: Receive sensitivity (automatic) |
| ⑤: PLL lock voltage measurement | ⑮: PLL lock voltage for RX (automatic) |
| ⑥: Operating channel select | ⑯: PLL lock voltage for TX (automatic) |
| ⑦: RF output power | ⑰: PLL lock voltage for RX (manual) |
| ⑧: FM modulation balance (Narrow) | ⑱: PLL lock voltage for TX (manual) |
| ⑨: FM deviation (Narrow) | ⑲: S-meter adjustment |
| ⑩: FM deviation (Wide/Middle) | |

• CONNECTION

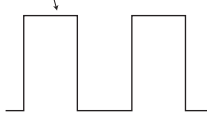


• JIG CABLE



6-2 SOFTWARE ADJUSTMENT (TRANSMITTING)

Select an operation using [↑] / [↓] keys, then set specified value using [←] / [→] keys on the connected computer keyboard.

| ADJUSTMENT | ADJUSTMENT CONDITION | MEASUREMENT | | VALUE |
|--|--|-------------|---|--|
| | | UNIT | LOCATION | |
| PLL LOCK VOLTAGE [LV(RX LVA)] [LV(TX LVA)] | 1 • Operating CH : CH1 • Receiving | PC screen | Check the "LVIN" item on the CS-F33G ADJ's screen. | 1.0 V |
| | 2 • Operating CH : CH1 • Transmitting | | | 1.0 V |
| | CONVENIENT: The PLL lock voltage can be adjusted automatically. Set the cursor to "RX LVA"/"TX LVA" and then push [ENTER] key. | | | |
| | 3 • Operating CH : CH7 • Receiving | PC screen | Check the "LVIN" item on the CS-F33G ADJ's screen. | 3.3–4.5 V (Verify) |
| 4 • Operating CH : CH7 • Transmitting | 3.3–4.5 V (Verify) | | | |
| REFERENCE FREQUENCY [REF] | 1 • Operating CH : CH7 • Connect the RF power meter or 50 Ω dummy load to the antenna connector. • Transmitting | Top panel | Loosely couple the frequency counter to the antenna connector. | 470.0000 MHz [L] 520.0000 MHz [H] |
| OUTPUT POWER [Power (Hi)] | 1 • Operating CH : CH1 • Transmitting | Top panel | Connect the RF power meter to the antenna connector. | 4.0 W |
| [Power (L2)] | 2 • Operating CH : CH2 • Transmitting | | | 2.0 W |
| [Power (L1)] | 3 • Operating CH : CH3 • Transmitting | | | 1.0 W |
| MODULATION BALANCE [BAL] | 1 • Operating CH : CH4 • No audio applied to the [MIC] input. • Set an FM deviation meter as: HPF : OFF LPF : 20 kHz De-emphasis : OFF Detector : (P–P)/2 • IF bandwidth : Narrow • Push [P0] while transmitting | Top panel | Connect the FM deviation meter with the oscilloscope to the antenna connector through the attenuator. | Set to square wave form  |
| FM DEVIATION [MOD N] (Narrow) | 1 • Operating CH : CH4 • Set the FM deviation meter as: HPF : OFF LPF : 20 kHz De-emphasis : OFF Detector : (P–P)/2 • Connect the audio generator to the [MIC] connector and set as : 1.0 kHz/150 mVrms • Transmitting | Top panel | Connect the FM deviation meter to the antenna connector through the attenuator. | ±2.10 kHz |
| [MOD Ratio] (Wide) | 2 • Operating CH : CH5 • Transmitting | | | ±4.10 kHz |
| [MOD Ratio] (Middle) | 3 • Operating CH : CH8 • Transmitting | | | ±3.20 kHz (F44G only) |
| CTCSS/DTCS DEVIATION [CTCS/DTCS] | • Operating CH : CH6 • No audio applied to the [MIC] input. • Transmitting | Top panel | Connect the FM deviation meter to the antenna connector through the attenuator. | ±0.70 kHz |

SOFTWARE ADJUSTMENT (RECEIVING)

- Select an operation using [↑] / [↓] keys, then set specified value using [←] / [→] keys on the connected computer keyboard.
- Need to adjust “S-METER ADJUSTMENT” after “RX SENSITIVITY ADJUSTMENT” is adjusted. Otherwise, “S-METER ADJUSTMENT” will not be adjusted properly.

| ADJUSTMENT | ADJUSTMENT CONDITION | MEASUREMENT | | VALUE |
|---|--|--|---|--|
| | | UNIT | LOCATION | |
| RX SENSITIVITY [BPF T1], [BPF T2] | 1 <ul style="list-style-type: none"> • Operating CH : CH1 • Connect the standard signal generator to the antenna connector and set as: <ul style="list-style-type: none"> Frequency : 400.000 MHz [L] 450.000 MHz [H] Level : 10 μV* (–87 dBm) Modulation : 1 kHz Deviation : \pm3.5 kHz • Receiving | Side panel | Connect the SINAD meter with an 8 Ω load to the [SP] jack through the JIG cable. | Minimum distortion level |
| | CONVENIENT: The BPF T1, BPF T2 can be adjusted automatically. ①-1: Set the cursor to “BPF ALL” on the CS-F33G ADJ's screen and then push [ENTER] key. ①-2: The connected PC tunes BPF T1, BPF T2 to peak levels. or ②-1: Set the cursor to one of BPF T1, T2 as desired. ②-2: Push [ENTER] key to start tuning. ②-3: Repeat ②-1 and ②-2 to perform additional BPF tuning. | | | |
| S-METER [S-METER] | 1 <ul style="list-style-type: none"> • Operating CH : CH1 • Connect the SSG to the antenna connector and set as: <ul style="list-style-type: none"> Frequency : 400.000 MHz [L] 450.000 MHz [H] Level : 14 μV* (–84 dBm) Modulation : 1 kHz Deviation : \pm3.5 kHz • Receiving | Push the [ENTER] key on the connected computer's keyboard to set “L2 level”. | | |
| | 2 <ul style="list-style-type: none"> • Set the SSG as : <ul style="list-style-type: none"> Level : 0.45 μV* (–114 dBm) • Receiving | Push the [ENTER] key on the connected computer keyboard to set “L0 level”. | | |
| SQUELCH LEVEL [SQL] | 1 <ul style="list-style-type: none"> • Operating CH : CH7 • Connect the SSG to the antenna connector and set as: <ul style="list-style-type: none"> Frequency : 470.000 MHz [L] 520.000 MHz [H] Level : 0.2 μV* (–121 dBm) Modulation : 1 kHz Deviation : \pm3.5 kHz • Receiving | Side panel | Connect speaker to the [SP] jack through the JIG cable. | Set “SQL level” to close squelch. Then set “SQL level” at the point where the audio signals just appears. |

*The output level of the standard signal generator (SSG) is indicated as the SSG's open circuit.

SECTION 7

PARTS LIST

[MAIN UNIT]

S.=Surface mount

| REF NO. | ORDER NO. | DESCRIPTION | M. | H/V LOCATION |
|---------|------------|--|----|--------------|
| IC6 | 1110006350 | S.IC LM2902PWR | B | 55.4/23.8 |
| IC8 | 1110005771 | S.IC S-80942CNMC-G9CT2G | B | 20.8/41.5 |
| IC9 | 1110003201 | S.IC TA31136FNG (EL) | T | 81.5/17 |
| IC10 | 1130011581 | S.IC 24LC64T-I/SN G | B | 29.7/13.2 |
| IC12 | 1190001350 | S.IC M62364FP 600D | B | 38.9/26.2 |
| IC13 | 1130006221 | S.IC TC4W53FU (TE12L,F) | B | 47.1/24 |
| IC14 | 1110006221 | S.IC AK2346P-E2/P | B | 41.5/13.2 |
| IC15 | 1110001811 | S.IC TA7368FG (5,ER) | T | 97.3/15.4 |
| IC16 | 1110002751 | S.IC TA75S01F (TE85R,F) | T | 88.1/12.4 |
| IC17 | 1110005350 | S.IC NJM2870F05-TE1-#FZZB | B | 93.2/20.2 |
| IC19 | 1110006380 | S.IC LM2904PWR | B | 42.9/39.6 |
| IC20 | 1130009090 | S.IC LC75834W-TLM-E | T | 57.3/20.3 |
| IC21 | 1130010100 | S.IC LMX2352TMX/NOPB | T | 79.5/33.7 |
| IC22 | 1140011511 | S.IC HD64F2238BTF13V | B | 17.4/22.4 |
| IC23 | 1110006380 | S.IC LM2904PWR | B | 36.9/39.3 |
| IC24 | 1110002751 | S.IC TA75S01F (TE85R,F) | B | 56.2/36.9 |
| IC25 | 1130007021 | S.IC TC7S66FU (TE85L,F) | B | 58.2/33 |
| Q2 | 1590003321 | S.FET TPC6103 (TE85L,F) | T | 98.4/4.8 |
| Q3 | 1590003290 | S.STR UNR9213J-(TX) | T | 93.4/5 |
| Q4 | 1560000841 | S.FET 2SK1829 (TE85R,F) | T | 90.9/34.7 |
| Q5 | 1580000731 | S.FET 3SK293 (TE85L,F) | B | 90.9/39 |
| Q6 | 1580000760 | S.FET 3SK299-T1 U73 | B | 86.8/29.5 |
| Q7 | 1530002601 | S.STR 2SC4215-O (TE85R,F) | B | 89.2/19.7 |
| Q14 | 1530003260 | S.STR 2SC5006-T1 | B | 79.9/31.5 |
| Q15 | 1530003260 | S.STR 2SC5006-T1 | B | 73.2/29.9 |
| Q16 | 1530002920 | S.STR 2SC4226-T1 R25 | B | 75.7/25.5 |
| Q17 | 1530002920 | S.STR 2SC4226-T1 R25 | B | 74.7/32.3 |
| Q18 | 1590001400 | S.STR XP1214 (TX) | T | 71.3/32.1 |
| Q19 | 1590003290 | S.STR UNR9213J-(TX) | T | 71.4/29.7 |
| Q20 | 1530002851 | S.STR 2SC4116-BL (TE85R,F) | T | 86.5/25.8 |
| Q21 | 1560000541 | S.FET 2SK880-Y (T5RICOM,F) | T | 75/23.1 |
| Q22 | 1530002851 | S.STR 2SC4116-BL (TE85R,F) | T | 80.9/24.7 |
| Q24 | 1510000920 | S.STR 2SA1577 T106 Q | B | 63.3/14.3 |
| Q25 | 1510000920 | S.STR 2SA1577 T106 Q | B | 64.4/10.4 |
| Q26 | 1520000450 | S.STR 2SB1132 T100 Q | B | 56.6/11.3 |
| Q27 | 1590001190 | S.STR XP6501-(TX)_AB | B | 57.5/7.3 |
| Q28 | 1590003230 | S.STR UNR9113J-(TX) | B | 54.1/7.1 |
| Q29 | 1530003260 | S.STR 2SC5006-T1 | B | 78.2/25.9 |
| Q38 | 1590003290 | S.STR UNR9213J-(TX) | B | 81.8/39.2 |
| Q40 | 1590003290 | S.STR UNR9213J-(TX) | B | 49.5/18.4 |
| Q41 | 1590001190 | S.STR XP6501-(TX)_AB | T | 90.8/21.3 |
| Q42 | 1520000450 | S.STR 2SB1132 T100 Q | T | 89.3/17.2 |
| Q43 | 1590003400 | S.STR UNR9112J | T | 77.7/4.9 |
| Q44 | 1590003270 | S.STR UNR9210J-(TX) | B | 29.8/5.6 |
| Q45 | 1590003230 | S.STR UNR9113J-(TX) | T | 54.6/4.5 |
| Q46 | 1590003290 | S.STR UNR9213J-(TX) | T | 84.9/10.5 |
| Q502 | 1560001360 | S.FET 2SK3019 TL | B | 35.9/11.7 |
| Q503 | 1590003290 | S.STR UNR9213J-(TX) | T | 81.6/42.6 |
| D5 | 1160000060 | S.DIO DAN202U T106 | T | 93.6/7.3 |
| D6 | 1790001260 | S.DIO MA25077-(TX) | B | 27.6/31 |
| D8 | 1790001250 | S.DIO MA25111-(TX) | T | 86.8/28.9 |
| D9 | 1750000711 | S.VCP HVC350BTRF-E | B | 68.6/29.7 |
| D10 | 1750000711 | S.VCP HVC350BTRF-E | B | 70.1/27.9 |
| D11 | 1750000711 | S.VCP HVC350BTRF-E | B | 68.4/32.3 |
| D12 | 1720000570 | S.VCP MA368 (TX) | B | 68.4/26.7 |
| D13 | 1750000711 | S.VCP HVC350BTRF-E | B | 71.3/25.9 |
| D14 | 1750000711 | S.VCP HVC350BTRF-E | B | 85.1/35.5 |
| D15 | 1750000711 | S.VCP HVC350BTRF-E | B | 87.2/41.5 |
| D16 | 1750000581 | S.DIO 1SV307 (TPH3,F) | B | 84.2/18.1 |
| D17 | 1790001260 | S.DIO MA25077-(TX) | B | 83.4/22.2 |
| D18 | 1790001250 | S.DIO MA25111-(TX) | T | 92.9/36.6 |
| D19 | 1750000711 | S.VCP HVC350BTRF-E | B | 94.1/41.6 |
| D20 | 1750000711 | S.VCP HVC350BTRF-E | B | 92.8/41.6 |
| D21 | 1160000060 | S.DIO DAN202U T106 | B | 28.4/22.6 |
| D23 | 1750000940 | S.DIO ISS400 TE61 | B | 28/24.5 |
| D24 | 1750000711 | S.VCP HVC350BTRF-E | B | 96.7/39.2 |
| D25 | 1750000711 | S.VCP HVC350BTRF-E | B | 95.4/39.2 |
| D28 | 1790001670 | S.DIO RB706F-40T106 | B | 29.8/2.9 |
| F11 | 2030000150 | S.MLH FL-335 (46.350 MHz) | T | 91.3/27.1 |
| F12 | 2020001530 | CER CFWLB450KFFA-B0 | | |
| X1 | 6070000191 | S.DCR CDBKB450KCAAY24-R0 | B | 80/16.9 |
| X2 | 6050011931 | S.XTL CR-781A (15.3 MHz) | B | 63.3/38.3 |
| X5 | 6050011730 | S.XTL CR-765 (3.6864 MHz) | B | 38.3/4 |
| X6 | 6050011830 | S.XTL CR-774 (12.288 MHz) | B | 30.9/31.5 |
| L7 | 6200007690 | S.COL LQW2BHN18NJ03L ④, ⑥, ⑧, ⑩, ⑫, ⑭, ⑯ | B | 98.3/37.2 |
| | 6200007700 | S.COL LQW2BHN22NJ03L except ④, ⑥, ⑧, ⑩, ⑫, ⑭, ⑯ | B | 98.3/37.2 |
| L8 | 6200007690 | S.COL LQW2BHN18NJ03L ④, ⑥, ⑧, ⑩, ⑫, ⑭, ⑯ | B | 93.7/37 |
| | 6200007700 | S.COL LQW2BHN22NJ03L except ④, ⑥, ⑧, ⑩, ⑫, ⑭, ⑯ | B | 93.7/37 |
| L8 | 6200007710 | S.COL LQW2BHN27NJ03L | B | 93.7/37 |
| L9 | 6200007680 | S.COL LQW2BHN12NJ03L | B | 87.7/38.2 |
| L11 | 6200007680 | S.COL LQW2BHN12NJ03L | B | 85.9/33.8 |
| L12 | 6200007881 | S.COL ELJRF 33NJFB ②, ⑫ only | B | 84.9/28 |
| | 6200007921 | S.COL ELJRF 15NJFB ①, ⑨, ⑪, ⑰ only | B | 84.9/28 |
| L13 | 6200005510 | S.COL ELJRD R27J-F | B | 89.4/33.2 |

[MAIN UNIT]

M.=T: Mounted on the Top side, B: Mounted on the Bottom side

| REF NO. | ORDER NO. | DESCRIPTION | M. | H/V LOCATION |
|---------|------------|--|----|--------------|
| L21 | 6200007921 | S.COL ELJRF 15NJFB | B | 80.1/24 |
| L22 | 6200007901 | S.COL ELJRF 22NJFB | B | 75.1/30.2 |
| L25 | 6200008490 | S.COL 0.30-0.9-3TR 7.5N | B | 71.4/22.8 |
| L27 | 6200004951 | S.COL NLV25T-1R8J | T | 70.5/24.4 |
| L28 | 6200012640 | S.COL ELJFC R82MH | T | 69/27.7 |
| L31 | 6200007720 | S.COL LQW2BHN33NJ03L | B | 100.9/35.9 |
| L32 | 6200007911 | S.COL ELJRF 18NJFB | B | 78.3/32.9 |
| L33 | 6200004480 | S.COL MLF1608D R82K-T | T | 81.1/22.5 |
| L35 | 6200003540 | S.COL MLF1608D R22K-T | T | 84.6/25.5 |
| L37 | 6200012400 | S.COL 0.30-0.91-4TL 8.6N | B | 70.6/34.1 |
| L41 | 6200007881 | S.COL ELJRF 33NJFB | B | 80.5/29.7 |
| L42 | 6200005461 | S.COL LL1608-FSL82NJ | T | 68.4/30.7 |
| L43 | 6200003550 | S.COL MLF1608A 4R7K-T ①, ②, ⑧, ⑨, ⑩, ⑪, ⑫, ⑬, ⑰, ⑱, ⑳ | T | 73.1/24.7 |
| | 6200004660 | S.COL MLF1608A 1R8K-T ③, ④, ⑤, ⑥, ⑦, ⑬, ⑮, ⑯, ⑰, ⑱ | T | 73.1/24.7 |
| L46 | 6200007561 | S.COL LL1608-FHL15NJ ②, ⑫ | T | 86.3/25 |
| | 6200007580 | S.COL LL1608-FH22NJ ④, ⑥, ⑩, ⑭, ⑯, ⑲ | B | 86.3/25 |
| | 6200007581 | S.COL LL1608-FHL22NJ ⑧ | B | 86.3/25 |
| | 6200007590 | S.COL LL1608-FH27NJ ③, ⑤, ⑦, ⑩, ⑬, ⑮, ⑰, ⑱ | B | 86.3/25 |
| | 6200007591 | S.COL LL1608-FHL27NJ ⑨ | B | 86.3/25 |
| | 6200009280 | S.COL LQW18AN27NG00D ①, ⑪, ⑰ | B | 86.3/25 |
| L47 | 6200002790 | S.COL ELJFC R82M-F | T | 71.2/34.5 |
| L48 | 6200002851 | S.COL NLV25T-R82J | T | 74.3/28.4 |
| L49 | 6200007890 | S.COL ELJRF 27NJF2 (27) ④, ⑤, ⑥, ⑦, ⑩, ⑫, ⑬, ⑮, ⑰, ⑱ only | B | 77.8/27.9 |
| | 6200007891 | S.COL ELJRF 27NJFB ①, ②, ⑧, ⑨, ⑪, ⑫, ⑰ only | B | 77.8/27.9 |
| R1 | 7030004970 | S.RES ERJ2GEJ 470 X (47) | T | 87.4/14.6 |
| R4 | 7030008280 | S.RES ERJ2GEJ 271 X (270) except ③, ⑤, ⑬, ⑮ | T | 87.5/7.8 |
| | 7030008370 | S.RES ERJ2GEJ 561 X (560) ③, ⑤, ⑬, ⑮ | T | 87.5/7.8 |
| R5 | 7030005070 | S.RES ERJ2GEJ 683 X (68 k) | T | 86.2/8.6 |
| R6 | 7030005110 | S.RES ERJ2GEJ 224 X (220 k) except ③, ⑤, ⑬, ⑮ | T | 86/15.7 |
| | 7030008300 | S.RES ERJ2GEJ 184 X (180 k) ③, ⑤, ⑬, ⑮ | T | 86/15.7 |
| R7 | 7030005080 | S.RES ERJ2GEJ 823 X (82 k) ①, ②, ⑤, ⑦, ⑨, ⑩, ⑪, ⑫, ⑮, ⑰, ⑱, ⑳ | T | 85.5/13.4 |
| | 7030005310 | S.RES ERJ2GEJ 124 X (120 k) ③, ④, ⑥, ⑧, ⑬, ⑭, ⑯, ⑰ | T | 85.5/13.4 |
| R8 | 7030005110 | S.RES ERJ2GEJ 224 X (220 k) except ③, ⑤, ⑬, ⑮ | T | 88/10.2 |
| | 7030005170 | S.RES ERJ2GEJ 474 X (470 k) ③, ⑤, ⑬, ⑮ | T | 88/10.2 |
| R9 | 7030008280 | S.RES ERJ2GEJ 271 X (270) | T | 90.5/12.3 |
| R12 | 7030005530 | S.RES ERJ2GEJ 100 X (10) | B | 90.2/36.8 |
| R13 | 7030005090 | S.RES ERJ2GEJ 104 X (100 k) | B | 92.8/39.5 |
| R14 | 7030005720 | S.RES ERJ2GEJ 563 X (56 k) | T | 93/40.1 |
| R15 | 7030005240 | S.RES ERJ2GEJ 473 X (47 k) | T | 91.6/38.9 |
| R16 | 7030004980 | S.RES ERJ2GEJ 101 X (100) | B | 89.6/41.2 |
| R17 | 7030004970 | S.RES ERJ2GEJ 470 X (47) | T | 89.1/37.7 |
| R18 | 7030005040 | S.RES ERJ2GEJ 472 X (4.7 k) | T | 77.2/28.8 |
| R19 | 7030005080 | S.RES ERJ2GEJ 823 X (82 k) | T | 91.1/37.6 |
| R21 | 7030005110 | S.RES ERJ2GEJ 224 X (220 k) | T | 87.6/38.7 |
| R22 | 7030005050 | S.RES ERJ2GEJ 103 X (10 k) | T | 88.6/38.9 |
| R23 | 7030005110 | S.RES ERJ2GEJ 224 X (220 k) | T | 86.5/35.6 |
| R24 | 7030005050 | S.RES ERJ2GEJ 103 X (10 k) | B | 86.2/22.9 |
| R25 | 7030005040 | S.RES ERJ2GEJ 472 X (4.7 k) | B | 85.7/31.2 |
| R29 | 7030007270 | S.RES ERJ2GEJ 151 X (150) | B | 89.2/27.5 |
| R31 | 7030004980 | S.RES ERJ2GEJ 101 X (100) | T | 89.2/33.8 |
| R32 | 7030010040 | S.RES ERJ2GEJ-JPW | T | 92.2/31.9 |
| R33 | 7030007270 | S.RES ERJ2GEJ 151 X (150) | B | 90.2/22.9 |
| R34 | 7030005110 | S.RES ERJ2GEJ 224 X (220 k) | B | 88.6/21.6 |
| R35 | 7030004980 | S.RES ERJ2GEJ 101 X (100) | B | 87.2/21.2 |
| R36 | 7030005030 | S.RES ERJ2GEJ 152 X (1.5 k) | B | 81.9/12.6 |
| R38 | 7030005090 | S.RES ERJ2GEJ 104 X (100 k) | T | 81.8/12.2 |
| R39 | 7030004970 | S.RES ERJ2GEJ 470 X (47) | B | 81.4/11.6 |
| R40 | 7030007270 | S.RES ERJ2GEJ 151 X (150) | T | 81.8/21.3 |
| R43 | 7030004970 | S.RES ERJ2GEJ 470 X (47) | T | 77.8/14.1 |
| R44 | 7030005240 | S.RES ERJ2GEJ 473 X (47 k) | T | 77.9/21.3 |
| R45 | 7030008290 | S.RES ERJ2GEJ 183 X (18 k) | T | 77.2/17.4 |
| R46 | 7030005000 | S.RES ERJ2GEJ 471 X (470) | T | 76.2/20.7 |
| R48 | 7030005000 | S.RES ERJ2GEJ 471 X (470) | B | 87.2/19.9 |
| R50 | 7030004990 | S.RES ERJ2GEJ 221 X (220) | B | 84.9/22.8 |
| R68 | 7030005050 | S.RES ERJ2GEJ 103 X (10 k) | B | 84.7/15.9 |
| R69 | 7030005040 | S.RES ERJ2GEJ 472 X (4.7 k) | B | 85.6/18.2 |
| R70 | 7030005530 | S.RES ERJ2GEJ 100 X (10) | B | 80.2/24.9 |
| R71 | 7030005600 | S.RES ERJ2GEJ 273 X (27 k) | B | 78.1/23.9 |
| R72 | 7030005240 | S.RES ERJ2GEJ 473 X (47 k) | B | 35.5/34.2 |
| R73 | 7030008010 | S.RES ERJ2GEJ 123 X (12 k) | B | 39.1/19.5 |
| R74 | 7030006610 | S.RES ERJ2GEJ 394 X (390 k) | B | 40.1/19.5 |
| R75 | 7030005100 | S.RES ERJ2GEJ 154 X (150 k) | B | 78.7/29.5 |
| R76 | 7030004980 | S.RES ERJ2GEJ 101 X (100) | B | 78.8/27.9 |
| R77 | 7030004980 | S.RES ERJ2GEJ 101 X (100) | B | 76.6/29.2 |
| R78 | 7030005090 | S.RES ERJ2GEJ 104 X (100 k) | B | 75/29.2 |
| R79 | 7030006020 | S.RES RR0510P-682-D (6.8 k) | B | 75.5/34.3 |
| R80 | 7030005050 | S.RES ERJ2GEJ 103 X (10 k) | T | 74.4/30.6 |
| R81 | 7030005090 | S.RES ERJ2GEJ 104 X (100 k) | B | 47.9/20.8 |
| R82 | 7030010040 | S.RES ERJ2GEJ-JPW | B | 74.3/23.5 |
| R83 | 7030006020 | S.RES RR0510P-682-D (6.8 k) | B | 74.3/22.5 |
| R84 | 7030006020 | S.RES RR0510P-682-D (6.8 k) | B | 72.8/24.9 |
| R85 | 7030006020 | S.RES RR0510P-682-D (6.8 k) | B | 72.2/34.3 |
| R86 | 7030005110 | S.RES ERJ2GEJ 224 X (220 k) | T | 68.8/21.8 |

①: GT [MTG-01] ②: GT [MTE-01] ③: GT [USA-01] ④: GT [USA-02] ⑤: GT [GEN-01]
⑥: GT [GEN-02] ⑦: GT [EUR-01] ⑧: GT [AUS-02] ⑨: GT [CHN-01] ⑩: GT [USA-04]

⑪: GS [MTG-01] ⑫: GS [MTE-01] ⑬: GS [USA-01] ⑭: GS [USA-02] ⑮: GS [GEN-01]
⑯: GS [GEN-02] ⑰: GS [EUR-01] ⑱: GS [AUS-02] ⑲: GS [USA-04] ⑳: GS [CHN-01]

[MAIN UNIT]

S.=Surface mount

| REF NO. | ORDER NO. | DESCRIPTION | M. | H/V LOCATION |
|---------|------------|--|----|--------------|
| R87 | 7030005000 | S.RES ERJ2GEJ 471 X (470) | T | 69/34.6 |
| R88 | 7030009270 | S.RES ERJ2GEJ 821 X (820) | T | 73.1/30.9 |
| R89 | 7030005050 | S.RES ERJ2GEJ 103 X (10 k) | T | 74.2/25.2 |
| R90 | 7030005170 | S.RES ERJ2GEJ 474 X (470 k) | T | 71.1/21 |
| R91 | 7030005240 | S.RES ERJ2GEJ 473 X (47 k) | T | 70.8/19.7 |
| R92 | 7030005310 | S.RES ERJ2GEJ 124 X (120 k) | T | 72.4/21.5 |
| R93 | 7030005060 | S.RES ERJ2GEJ 333 X (33 k) | B | 46.2/20.8 |
| R95 | 7030005030 | S.RES ERJ2GEJ 152 X (1.5 k) | T | 76.2/28.8 |
| R96 | 7030005240 | S.RES ERJ2GEJ 473 X (47 k) | B | 87.3/36.5 |
| R97 | 7030005120 | S.RES ERJ2GEJ 102 X (1 k) | B | 11.6/29.9 |
| R98 | 7030007290 | S.RES ERJ2GEJ 222 X (2.2 k) | T | 86.4/27.7 |
| R100 | 7030005040 | S.RES ERJ2GEJ 472 X (4.7 k) | T | 73.6/20.3 |
| R101 | 7030004990 | S.RES ERJ2GEJ 221 X (220) | T | 75.1/25.9 |
| R103 | 7030005110 | S.RES ERJ2GEJ 224 X (220 k) | B | 56.6/40.1 |
| R104 | 7030005090 | S.RES ERJ2GEJ 104 X (100 k) | B | 55/39.1 |
| R106 | 7030005160 | S.RES ERJ2GEJ 105 X (1 M) | B | 43.5/7.9 |
| R107 | 7030005060 | S.RES ERJ2GEJ 333 X (33 k) | B | 37.5/7.7 |
| R108 | 7030005000 | S.RES ERJ2GEJ 471 X (47 k) | B | 64/35.4 |
| R110 | 7030005090 | S.RES ERJ2GEJ 104 X (100 k) | T | 70.7/16.9 |
| R111 | 7030005170 | S.RES ERJ2GEJ 474 X (470 k) | T | 66.9/32.4 |
| R114 | 7030005080 | S.RES ERJ2GEJ 823 X (82 k) | B | 38.9/7.3 |
| R115 | 7030007570 | S.RES ERJ2GEJ 122 X (1.2 k) | T | 85.5/23.4 |
| R116 | 7030007060 | S.RES ERJ2GEJ 684X (680 k) | T | 83.2/26.3 |
| R117 | 7030005160 | S.RES ERJ2GEJ 105 X (1 M) | B | 40.6/7.2 |
| R118 | 7030005110 | S.RES ERJ2GEJ 224 X (220 k) | B | 26.9/6.4 |
| R119 | 7030005240 | S.RES ERJ2GEJ 473 X (47 k) | B | 36.5/7.7 |
| R120 | 7030005240 | S.RES ERJ2GEJ 473 X (47 k) | B | 41.6/19.9 |
| R121 | 7030005110 | S.RES ERJ2GEJ 224 X (220 k) | B | 36.4/44.6 |
| R122 | 7030005070 | S.RES ERJ2GEJ 683 X (68 k) | B | 35/43.1 |
| R123 | 7030005060 | S.RES ERJ2GEJ 333 X (33 k) | B | 70.3/41.9 |
| R124 | 7030005170 | S.RES ERJ2GEJ 474 X (470 k) | T | 71.4/22.3 |
| R127 | 7030005090 | S.RES ERJ2GEJ 104 X (100 k) | T | 70/22.6 |
| R130 | 7030007300 | S.RES ERJ2GEJ 332 X (3.3 k) | T | 99.4/35.2 |
| R131 | 7030005050 | S.RES ERJ2GEJ 103 X (10 k) | B | 101.3/41.5 |
| R147 | 7030005090 | S.RES ERJ2GEJ 104 X (100 k) | B | 55.2/29.8 |
| R148 | 7030005070 | S.RES ERJ2GEJ 683 X (68 k) | B | 55.2/30.8 |
| R151 | 7030005240 | S.RES ERJ2GEJ 473 X (47 k) | B | 49.8/25.5 |
| R152 | 7030005230 | S.RES ERJ2GEJ 334 X (330 k) | B | 52.1/24.4 |
| | 7030005700 | S.RES ERJ2GEJ 274 X (270 k) except ③, ⑬ | B | 52.1/24.4 |
| R154 | 7030005310 | S.RES ERJ2GEJ 124 X (120 k) | B | 53.6/29.9 |
| R156 | 7030010040 | S.RES ERJ2GEJ-JPW | B | 54.8/28.5 |
| R157 | 7030005050 | S.RES ERJ2GEJ 103 X (10 k) | B | 53.6/29.9 |
| R161 | 7030005050 | S.RES ERJ2GEJ 103 X (10 k) | B | 61.4/14.4 |
| R162 | 7030005040 | S.RES ERJ2GEJ 472 X (4.7 k) | B | 60.1/12.9 |
| R163 | 7030005050 | S.RES ERJ2GEJ 103 X (10 k) | B | 62.5/11.4 |
| R164 | 7030005040 | S.RES ERJ2GEJ 472 X (4.7 k) | B | 62.1/10.1 |
| R165 | 7030005050 | S.RES ERJ2GEJ 103 X (10 k) | B | 55.5/8.2 |
| R166 | 7030007290 | S.RES ERJ2GEJ 222 X (2.2 k) | B | 58/5.3 |
| R172 | 7030005050 | S.RES ERJ2GEJ 103 X (10 k) | T | 89.1/35.9 |
| R173 | 7030008400 | S.RES ERJ2GEJ 182 X (1.8 k) | T | 91.1/36.6 |
| R174 | 7030005170 | S.RES ERJ2GEJ 474 X (470 k) | T | 92.9/34.4 |
| R175 | 7030005110 | S.RES ERJ2GEJ 224 X (220 k) | T | 92.4/32.9 |
| R181 | 7030005220 | S.RES ERJ2GEJ 223 X (22 k) | B | 40/34.9 |
| R182 | 7030005220 | S.RES ERJ2GEJ 223 X (22 k) | B | 39.4/41.3 |
| R183 | 7030005220 | S.RES ERJ2GEJ 223 X (22 k) | B | 40.4/41.3 |
| R184 | 7030005090 | S.RES ERJ2GEJ 104 X (100 k) ③, ④, ⑤, ⑥, ⑦, ⑬, ⑭, ⑮, ⑯, ⑰ | B | 43.8/33.3 |
| | 7030007300 | S.RES ERJ2GEJ 332 X (3.3 k) ①, ②, ⑧, ⑨, ⑩, ⑪, ⑫, ⑱, ⑲, ⑳ | B | 43.8/33.3 |
| R185 | 7030005170 | S.RES ERJ2GEJ 474 X (470 k) ③, ④, ⑤, ⑥, ⑦, ⑬, ⑭, ⑮, ⑯, ⑰ | B | 43.8/35.3 |
| | 7030005290 | S.RES ERJ2GEJ 682 X (6.8 k) ①, ②, ⑧, ⑨, ⑩, ⑪, ⑫, ⑱, ⑲, ⑳ | B | 43.8/35.3 |
| R186 | 7030005000 | S.RES ERJ2GEJ 471 X (470) | B | 45.5/39.7 |
| R203 | 7030005110 | S.RES ERJ2GEJ 224 X (220 k) | B | 12.2/5.6 |
| R204 | 7030005090 | S.RES ERJ2GEJ 104 X (100 k) | B | 12.3/6.3 |
| R205 | 7030005090 | S.RES ERJ2GEJ 104 X (100 k) | B | 28/19.3 |
| R209 | 7030005240 | S.RES ERJ2GEJ 473 X (47 k) | B | 51.2/17.8 |
| R210 | 7030005240 | S.RES ERJ2GEJ 473 X (47 k) | B | 51.2/19.5 |
| R211 | 7030005240 | S.RES ERJ2GEJ 473 X (47 k) | B | 53.6/18.7 |
| R213 | 7030005040 | S.RES ERJ2GEJ 472 X (4.7 k) | B | 51.8/20.8 |
| R214 | 7030005240 | S.RES ERJ2GEJ 473 X (47 k) | B | 50.2/20.6 |
| R215 | 7030005070 | S.RES ERJ2GEJ 683 X (68 k) | B | 59/20.7 |
| R216 | 7030005070 | S.RES ERJ2GEJ 683 X (68 k) | B | 59/22.8 |
| R217 | 7030005070 | S.RES ERJ2GEJ 683 X (68 k) | B | 59/24.7 |
| R218 | 7030005070 | S.RES ERJ2GEJ 683 X (68 k) | B | 59/25.6 |
| R219 | 7030007350 | S.RES ERJ2GEJ 393 X (39 k) | B | 59/26.5 |
| R220 | 7030005220 | S.RES ERJ2GEJ 223 X (22 k) | B | 58.3/29.6 |
| R221 | 7030005220 | S.RES ERJ2GEJ 223 X (22 k) | B | 5.7/13.8 |
| R222 | 7030008300 | S.RES ERJ2GEJ 184 X (180 k) | B | 7.8/15.6 |
| R223 | 7030005720 | S.RES ERJ2GEJ 563 X (56 k) | B | 6.8/15.4 |
| R224 | 7030005220 | S.RES ERJ2GEJ 223 X (22 k) | B | 5.8/15.4 |
| R225 | 7030007260 | S.RES ERJ2GEJ 330 X (33 k) | T | 101.4/18.8 |
| R226 | 7030005530 | S.RES ERJ2GEJ 100 X (10) | T | 94.5/18.8 |
| R227 | 7030009140 | S.RES ERJ2GEJ 272 X (2.7 k) | T | 89/20.8 |
| R228 | 7030007300 | S.RES ERJ2GEJ 332 X (3.3 k) | T | 88.6/22.3 |
| R229 | 7030005120 | S.RES ERJ2GEJ 102 X (1 k) | T | 92.9/22.1 |
| R231 | 7030005100 | S.RES ERJ2GEJ 154 X (150 k) | B | 30.4/22.6 |
| R233 | 7030004980 | S.RES ERJ2GEJ 101 X (100) | T | 98.4/10.3 |
| R234 | 7030005530 | S.RES ERJ2GEJ 100 X (10) | T | 100.7/12.4 |
| R235 | 7030005000 | S.RES ERJ2GEJ 471 X (470) | T | 83.5/5 |
| R236 | 7030005090 | S.RES ERJ2GEJ 104 X (100 k) | T | 75.7/4.3 |
| R237 | 7030005530 | S.RES ERJ2GEJ 100 X (10) | B | 23.8/14 |
| R238 | 7030005000 | S.RES ERJ2GEJ 471 X (470) | B | 83/8.4 |
| R239 | 7030007340 | S.RES ERJ2GEJ 153 X (15 k) | B | 27.9/6.4 |
| R240 | 7030005210 | S.RES ERJ2GEJ 822 X (8.2 k) | B | 35.2/32.9 |
| R241 | 7030005110 | S.RES ERJ2GEJ 224 X (220 k) | B | 40/31.9 |
| R242 | 7030005230 | S.RES ERJ2GEJ 334 X (330 k) | B | 35.2/31.9 |
| R243 | 7030005040 | S.RES ERJ2GEJ 472 X (4.7 k) | B | 38.6/32.4 |
| R244 | 7030005210 | S.RES ERJ2GEJ 822 X (8.2 k) | B | 40/33.9 |
| R245 | 7030005070 | S.RES ERJ2GEJ 683 X (68 k) | B | 40/35.9 |
| R246 | 7030008290 | S.RES ERJ2GEJ 183 X (18 k) | T | 98.5/8.1 |
| R247 | 7030005000 | S.RES ERJ2GEJ 471 X (470) | B | 36.6/20.7 |

①: GT [MTG-01] ②: GT [MTE-01] ③: GT [USA-01] ④: GT [USA-02] ⑤: GT [GEN-01]
 ⑥: GT [GEN-02] ⑦: GT [EUR-01] ⑧: GT [AUS-02] ⑨: GT [CHN-01] ⑩: GT [USA-04]

[MAIN UNIT]

M.=T: Mounted on the Top side, B: Mounted on the Bottom side

| REF NO. | ORDER NO. | DESCRIPTION | M. | H/V LOCATION |
|---------|------------|--|----|--------------|
| R256 | 7510001730 | S.TMR ERTJOEP 473J | B | 20/32.9 |
| R257 | 7030005090 | S.RES ERJ2GEJ 104 X (100 k) | B | 19/33.9 |
| R258 | 7030005530 | S.RES ERJ2GEJ 100 X (10) | B | 24.9/28 |
| R259 | 7030005160 | S.RES ERJ2GEJ 105 X (1 M) | B | 27.7/27.8 |
| R260 | 7030008010 | S.RES ERJ2GEJ 123 X (12 k) | B | 27.3/29.3 |
| R261 | 7030008010 | S.RES ERJ2GEJ 123 X (12 k) | B | 26/30.5 |
| R262 | 7030008010 | S.RES ERJ2GEJ 123 X (12 k) | B | 27.3/34 |
| R263 | 7030005090 | S.RES ERJ2GEJ 104 X (100 k) | B | 22.9/32.9 |
| R264 | 7030006010 | S.RES RR0510P-472-D (4.7 k) | B | 15.3/33.7 |
| R265 | 7030006010 | S.RES RR0510P-472-D (4.7 k) | B | 14.8/32.7 |
| R266 | 7030005090 | S.RES ERJ2GEJ 104 X (100 k) | B | 45/18.5 |
| R267 | 7030005090 | S.RES ERJ2GEJ 104 X (100 k) | B | 44/18.5 |
| R269 | 7030005090 | S.RES ERJ2GEJ 104 X (100 k) | B | 46/18.5 |
| R270 | 7030007290 | S.RES ERJ2GEJ 222 X (2.2 k) | B | 19.9/31.9 |
| R272 | 7030004980 | S.RES ERJ2GEJ 101 X (100) | T | 56.3/4.4 |
| R273 | 7030010040 | S.RES ERJ2GEJ-JPW | B | 15.6/5.3 |
| R275 | 7030005110 | S.RES ERJ2GEJ 224 X (220 k) | B | 14.4/5.3 |
| R281 | 7030005720 | S.RES ERJ2GEJ 563 X (56 k) | T | 95/37.6 |
| R282 | 7030005090 | S.RES ERJ2GEJ 104 X (100 k) | B | 34.4/39.5 |
| R283 | 7030005090 | S.RES ERJ2GEJ 104 X (100 k) | B | 34.4/37.9 |
| R288 | 7030005040 | S.RES ERJ2GEJ 472 X (4.7 k) | B | 13.7/4.4 |
| R289 | 7030005090 | S.RES ERJ2GEJ 104 X (100 k) | B | 38.4/33.6 |
| R291 | 7030005120 | S.RES ERJ2GEJ 102 X (1 k) | B | 9.5/14.7 |
| R292 | 7030005090 | S.RES ERJ2GEJ 104 X (100 k) | B | 29.8/18 |
| R293 | 7030005050 | S.RES ERJ2GEJ 103 X (10 k) | B | 28.3/18 |
| R295 | 7030005240 | S.RES ERJ2GEJ 473 X (47 k) | T | 62.1/14.1 |
| R300 | 7030005090 | S.RES ERJ2GEJ 104 X (100 k) | T | 61.7/16.4 |
| R301 | 7030005070 | S.RES ERJ2GEJ 683 X (68 k) | B | 47.9/27.4 |
| R302 | 7030005090 | S.RES ERJ2GEJ 104 X (100 k) | B | 95.4/37.1 |
| R303 | 7030005050 | S.RES ERJ2GEJ 103 X (10 k) | T | 95.5/40.6 |
| R304 | 7030010040 | S.RES ERJ2GEJ-JPW | B | 72.4/31.8 |
| R305 | 7030005090 | S.RES ERJ2GEJ 104 X (100 k) ③, ④, ⑤, ⑥, ⑦, ⑬, ⑭, ⑮, ⑯, ⑰ | T | 66.9/33.4 |
| | 7030008300 | S.RES ERJ2GEJ 184 X (180 k) ①, ②, ⑧, ⑨, ⑩, ⑪, ⑫, ⑱, ⑲, ⑳ | T | 66.9/33.4 |
| R306 | 7030005530 | S.RES ERJ2GEJ 100 X (10) | B | 68.6/24.5 |
| R307 | 7030005580 | S.RES ERJ2GEJ 560 X (56) | B | 79.4/34.4 |
| R308 | 7030005050 | S.RES ERJ2GEJ 103 X (10 k) ④, ⑧, ⑬, ⑱ | T | 71.7/16.9 |
| | 7030007340 | S.RES ERJ2GEJ 153 X (15 k) except ④, ⑥, ⑬, ⑱ | T | 71.7/16.9 |
| R309 | 7030005050 | S.RES ERJ2GEJ 103 X (10 k) | B | 7/14.1 |
| R315 | 7210003061 | VAR TP76N00N-15F-A103-2251A | | |
| R318 | 7030005700 | S.RES ERJ2GEJ 274 X (270 k) | T | 95.9/3.9 |
| R319 | 7030005090 | S.RES ERJ2GEJ 104 X (100 k) | T | 94.3/3.4 |
| R320 | 7030005090 | S.RES ERJ2GEJ 104 X (100 k) | B | 93.7/9 |
| R321 | 7030005090 | S.RES ERJ2GEJ 104 X (100 k) | B | 14.6/41.6 |
| R323 | 7030005050 | S.RES ERJ2GEJ 103 X (10 k) | B | 5.3/26.6 |
| R325 | 7030005050 | S.RES ERJ2GEJ 103 X (10 k) | B | 5.3/25.6 |
| R327 | 7030005050 | S.RES ERJ2GEJ 103 X (10 k) | B | 5.3/24.6 |
| R329 | 7030005050 | S.RES ERJ2GEJ 103 X (10 k) | B | 5.3/23.6 |
| R331 | 7030005050 | S.RES ERJ2GEJ 103 X (10 k) | B | 5.3/22.6 |
| R333 | 7030005050 | S.RES ERJ2GEJ 103 X (10 k) | B | 5.3/21.6 |
| R335 | 7030005050 | S.RES ERJ2GEJ 103 X (10 k) | B | 5.3/20.6 |
| R336 | 7030009710 | S.RES ERJ2GEJ 203 X (20 k) | B | 7/26.6 |
| R337 | 7030009710 | S.RES ERJ2GEJ 203 X (20 k) | B | 7/25.6 |
| R338 | 7030009710 | S.RES ERJ2GEJ 203 X (20 k) | B | 7/24.6 |
| R339 | 7030009710 | S.RES ERJ2GEJ 203 X (20 k) | B | 7/23.6 |
| R340 | 7030009710 | S.RES ERJ2GEJ 203 X (20 k) | B | 7/22.6 |
| R341 | 7030009710 | S.RES ERJ2GEJ 203 X (20 k) | B | 7/21.6 |
| R342 | 7030009710 | S.RES ERJ2GEJ 203 X (20 k) | B | 7/20.6 |
| R343 | 7030009710 | S.RES ERJ2GEJ 203 X (20 k) | B | 7/19.6 |
| R344 | 7030009710 | S.RES ERJ2GEJ 203 X (20 k) | B | 5.3/19.6 |
| R345 | 7030005120 | S.RES ERJ2GEJ 102 X (1 k) | T | 81/38.6 |
| R346 | 7030005120 | S.RES ERJ2GEJ 102 X (1 k) | T | 82/38.6 |
| R347 | 7030005120 | S.RES ERJ2GEJ 102 X (1 k) | T | 83/38.6 |
| R348 | 7030005120 | S.RES ERJ2GEJ 102 X (1 k) | T | 84.1/33.2 |
| R349 | 7030005120 | S.RES ERJ2GEJ 102 X (1 k) | B | 28.0/10.4 |
| R350 | 7030005120 | S.RES ERJ2GEJ 102 X (1 k) | B | 22.7/15.1 |
| R351 | 7030005120 | S.RES ERJ2GEJ 102 X (1 k) | B | 31.4/20.8 |
| R352 | 7030005120 | S.RES ERJ2GEJ 102 X (1 k) | B | 8.5/26.9 |
| R353 | 7030005120 | S.RES ERJ2GEJ 102 X (1 k) | B | 13.9/13.6 |
| R354 | 7030005120 | S.RES ERJ2GEJ 102 X (1 k) | B | 12.7/14 |
| R355 | 7030005120 | S.RES ERJ2GEJ 102 X (1 k) | B | 11.4/14.3 |
| R356 | 7030005120 | S.RES ERJ2GEJ 102 X (1 k) | B | 11.5/15.4 |
| R357 | 7030006610 | S.RES ERJ2GEJ 394 X (390 k) | B | 34.4/41.1 |
| R358 | 7030006610 | S.RES ERJ2GEJ 394 X (390 k) | B | 34.4/36.3 |
| R359 | 7030010040 | S.RES ERJ2GEJ-JPW | T | 84/30.6 |
| R360 | 7030005050 | S.RES ERJ2GEJ 103 X (10 k) | T | 95.5/39.6 |
| R361 | 7030005120 | S.RES ERJ2GEJ 102 X (1 k) ③, ⑤, ⑥, ⑬, ⑱, ⑲ | B | 89/31.1 |
| | | | | |

[MAIN UNIT]

S.=Surface mount

| REF NO. | ORDER NO. | DESCRIPTION | M. | H/V LOCATION |
|---------|------------|---|----|--------------|
| C17 | 4550007120 | S.TAN F92 1D 224MPA | T | 78/26.3 |
| C18 | 4030017510 | S.CER ECJ0EC1H680J | B | 98.2/34.9 |
| C19 | 4030017350 | S.CER ECJ0EC1H020B except ④, ⑥, ⑧, ⑭, ⑯, ⑰ | B | 88.6/41.2 |
| | 4030017520 | S.CER ECJ0EC1H0R3B ④, ⑥, ⑧, ⑭, ⑯, ⑰ | B | 88.6/41.2 |
| C21 | 4030017590 | S.CER ECJ0EC1H070C | B | 99.8/37.7 |
| C22 | 4030017350 | S.CER ECJ0EC1H020B | B | 95.6/35.8 |
| C24 | 4030017460 | S.CER ECJ0EB1E102K | T | 95/38.6 |
| C25 | 4030017380 | S.CER ECJ0EC1H050B | B | 96.6/34.6 |
| C26 | 4030017460 | S.CER ECJ0EB1E102K | B | 97.6/34.6 |
| C27 | 4030017660 | S.CER ECJ0EC1H330J | B | 96.4/37.1 |
| C28 | 4030017590 | S.CER ECJ0EC1H070C | B | 92/36 |
| C29 | 4030017620 | S.CER ECJ0EC1H100C | B | 92/37 |
| C30 | 4030017460 | S.CER ECJ0EB1E102K | B | 89.8/35 |
| C31 | 4030017910 | S.CER ECJ0EB1H152K | B | 41.6/18.7 |
| C32 | 4030017460 | S.CER ECJ0EB1E102K | B | 91.6/41.2 |
| C33 | 4030017420 | S.CER ECJ0EC1H470J | B | 90.6/41.2 |
| C34 | 4030017460 | S.CER ECJ0EB1E102K | B | 47.9/19.8 |
| C35 | 4030017760 | S.CER ECJ0EB1H222K | B | 44.5/20.5 |
| C36 | 4030017460 | S.CER ECJ0EB1E102K | T | 87.8/36.2 |
| C37 | 4030017460 | S.CER ECJ0EB1E102K | T | 86.5/37.6 |
| C39 | 4030017620 | S.CER ECJ0EC1H100C | B | 88.7/39.9 |
| C40 | 4030017520 | S.CER ECJ0EC1H0R3B | B | 88.6/36.4 |
| C41 | 4030017640 | S.CER ECJ0EC1H150J | B | 87/31.9 |
| C42 | 4030017460 | S.CER ECJ0EB1E102K | T | 89.1/40.2 |
| C43 | 4030017460 | S.CER ECJ0EB1E102K | T | 86.5/36.6 |
| C44 | 4030017560 | S.CER ECJ0EC1H2R5B | B | 85.7/32.2 |
| C45 | 4030017630 | S.CER ECJ0EC1H120J | B | 87.2/35.6 |
| C46 | 4030017420 | S.CER ECJ0EC1H470J | B | 39.5/18 |
| C47 | 4030016970 | S.CER ECJ0EB1C223K | B | 12.4/30.6 |
| C48 | 4030017400 | S.CER ECJ0EC1H220J | B | 87.2/27.5 |
| C49 | 4030017380 | S.CER ECJ0EC1H050B except ④, ⑥, ⑧, ⑭, ⑯, ⑰ | B | 86.2/27.5 |
| C49 | 4030017630 | S.CER ECJ0EC1H120J | B | 86.2/27.5 |
| C50 | 4030017460 | S.CER ECJ0EB1E102K | B | 88.2/27.5 |
| C51 | 4030017460 | S.CER ECJ0EB1E102K | T | 90.5/31.9 |
| C52 | 4030017420 | S.CER ECJ0EC1H470J | B | 89/30.1 |
| C53 | 4030016790 | S.CER ECJ0EB1C103K | B | 90.7/29.8 |
| C54 | 4030017460 | S.CER ECJ0EB1E102K | B | 90.7/31.1 |
| C56 | 4030017390 | S.CER ECJ0EC1H180J | T | 94.6/25.6 |
| C57 | 4030017460 | S.CER ECJ0EB1E102K | T | 88.2/32 |
| C58 | 4030017460 | S.CER ECJ0EB1E102K | B | 89.2/22.9 |
| C59 | 4030017460 | S.CER ECJ0EB1E102K | B | 86.2/21.2 |
| C60 | 4030017460 | S.CER ECJ0EB1E102K | B | 88.2/22.9 |
| C61 | 4030017430 | S.CER ECJ0EC1H101J | B | 87.2/18.9 |
| C62 | 4030017680 | S.CER ECJ0EC1H820J | T | 79.7/12.6 |
| C63 | 4030017460 | S.CER ECJ0EB1E102K | B | 33.1/20.7 |
| C64 | 4030017460 | S.CER ECJ0EB1E102K | B | 34.3/13.8 |
| C65 | 4030017330 | S.CER ECJ0EF1C104Z | B | 17.6/32.9 |
| C66 | 4030017460 | S.CER ECJ0EB1E102K | B | 77.8/15.1 |
| C67 | 4030017460 | S.CER ECJ0EB1E102K | B | 78.1/12.6 |
| C69 | 4030017750 | S.CER ECJ0EB1E122K | T | 77.9/19.2 |
| C70 | 4030017460 | S.CER ECJ0EB1E102K ①, ②, ⑧, ⑨, ⑩, ⑪, ⑫, ⑬, ⑱, ⑲, ⑳ | T | 77.9/20.2 |
| | 4030017740 | S.CER ECJ0EB1E821K ③, ④, ⑤, ⑥, ⑦, ⑬, ⑭, ⑮, ⑯, ⑰ | T | 77.9/20.2 |
| C71 | 4030017330 | S.CER ECJ0EF1C104Z | T | 79.9/21.3 |
| C72 | 4030017420 | S.CER ECJ0EC1H470J | T | 84.5/12.3 |
| C73 | 4030017460 | S.CER ECJ0EB1E102K | T | 91.8/13.2 |
| C74 | 4030017460 | S.CER ECJ0EB1E102K | B | 86.6/6 |
| C75 | 4550007600 | S.TAN F920J106MPABMA | B | 75.6/12.2 |
| C76 | 4030016790 | S.CER ECJ0EB1C103K | T | 90.3/13.7 |
| C77 | 4030017460 | S.CER ECJ0EB1E102K | B | 88/16.4 |
| C78 | 4030017460 | S.CER ECJ0EB1E102K | T | 85.2/7.4 |
| C79 | 4030006860 | S.CER C1608 JB 1H 102K-T | T | 87.9/9 |
| C79 | 4030011600 | S.CER C1608 JB 1E 104K-T | T | 87.9/9 |
| C80 | 4030016790 | S.CER ECJ0EB1C103K | T | 85.5/14.4 |
| C90 | 4030017400 | S.CER ECJ0EC1H220J | B | 44.7/6.3 |
| C95 | 4030017710 | S.CER ECJ0EC1H181J | B | 38.9/8.3 |
| C98 | 4030017400 | S.CER ECJ0EC1H220J | B | 32/5.5 |
| C100 | 4030017590 | S.CER ECJ0EC1H070C | B | 84.6/20.6 |
| C102 | 4030017380 | S.CER ECJ0EC1H050B | B | 77.8/29.5 |
| C103 | 4030017560 | S.CER ECJ0EC1H2R5B | B | 77.9/30.8 |
| C104 | 4030017460 | S.CER ECJ0EB1E102K | B | 75.8/28 |
| C105 | 4030017460 | S.CER ECJ0EB1E102K | B | 79.6/29.5 |
| C106 | 4030017420 | S.CER ECJ0EC1H470J | B | 79.2/22.2 |
| C107 | 4030017460 | S.CER ECJ0EB1E102K | B | 80.2/25.8 |
| C108 | 4030016790 | S.CER ECJ0EB1C103K | B | 86.6/16.4 |
| C109 | 4030017460 | S.CER ECJ0EB1E102K | B | 80.2/26.7 |
| C110 | 4030017730 | S.CER ECJ0EB1E471K | B | 76.8/27.9 |
| C111 | 4030017420 | S.CER ECJ0EC1H470J | T | 69.2/32.8 |
| C112 | 4030017750 | S.CER ECJ0EB1E122K | B | 35.5/7.7 |
| C113 | 4030017540 | S.CER ECJ0EC1HR75B | B | 71.7/30.4 |
| C114 | 4030017380 | S.CER ECJ0EC1H050B | B | 72.4/32.9 |
| C115 | 4030017630 | S.CER ECJ0EC1H120J | B | 74.5/34.3 |
| C116 | 4030016790 | S.CER ECJ0EB1C103K | B | 76.6/34.3 |
| C117 | 4030017730 | S.CER ECJ0EB1E471K | B | 76.6/32.7 |
| C118 | 4030017540 | S.CER ECJ0EC1HR75B | B | 73.5/27.9 |
| C119 | 4030017460 | S.CER ECJ0EB1E102K | B | 75.9/22.7 |
| C120 | 4030017730 | S.CER ECJ0EB1E471K | B | 75.9/23.7 |
| C121 | 4030017620 | S.CER ECJ0EC1H100C | B | 73.8/25.3 |
| C121 | 4030017640 | S.CER ECJ0EC1H150J | B | 73.8/25.3 |
| C122 | 4030017390 | S.CER ECJ0EC1H180J | B | 73.4/26.6 |
| C123 | 4030017640 | S.CER ECJ0EC1H150J | B | 73/22.9 |
| C124 | 4030017340 | S.CER ECJ0EC1H010B ④, ⑤, ⑥, ⑦, ⑭, ⑮, ⑯, ⑰ only | B | 40.6/8.3 |
| C125 | 4030018110 | S.CER ECJ0EB1H222K | B | 70.9/31.8 |
| C126 | 4030017640 | S.CER ECJ0EC1H150J | B | 34.2/7.2 |
| C128 | 4030017330 | S.CER ECJ0EF1C104Z | B | 69.5/23.4 |
| C129 | 4030017530 | S.CER ECJ0EC1H0R5B | B | 36.1/9.4 |
| C130 | 4030017330 | S.CER ECJ0EF1C104Z | B | 43/19.4 |
| C131 | 4030017330 | S.CER ECJ0EF1C104Z | B | 43/19.4 |
| C132 | 4030017460 | S.CER ECJ0EB1E102K | T | 71.8/19.7 |

①: GT [MTG-01] ②: GT [MTE-01] ③: GT [USA-01] ④: GT [USA-02] ⑤: GT [GEN-01]
⑥: GT [GEN-02] ⑦: GT [EUR-01] ⑧: GT [AUS-02] ⑨: GT [CHN-01] ⑩: GT [USA-04]

[MAIN UNIT]

M.=T: Mounted on the Top side, B: Mounted on the Bottom side

| REF NO. | ORDER NO. | DESCRIPTION | M. | H/V LOCATION |
|---------|------------|---|----|--------------|
| C133 | 4030017640 | S.CER ECJ0EC1H150J | B | 70.3/24.3 |
| C134 | 4030017630 | S.CER ECJ0EC1H120J ③, ⑤, ⑦, ⑬, ⑮, ⑰ | B | 69.9/31.8 |
| | 4030017640 | S.CER ECJ0EC1H150J ①, ②, ⑨, ⑩, ⑪, ⑫, ⑱, ⑳ | B | 69.9/31.8 |
| | 4030018120 | S.CER ECJ0EC1H110J ④, ⑥, ⑧, ⑭, ⑯, ⑲ | B | 69.9/31.8 |
| C135 | 4030017460 | S.CER ECJ0EB1E102K | T | 76.4/26.2 |
| C136 | 4030017430 | S.CER ECJ0EC1H101J | B | 36.4/43.6 |
| C137 | 4030016790 | S.CER ECJ0EB1C103K | B | 86.5/23.4 |
| C138 | 4030017420 | S.CER ECJ0EC1H470J | T | 72.1/27.3 |
| C139 | 4030017330 | S.CER ECJ0EF1C104Z | B | 79.8/27.9 |
| C140 | 4030017460 | S.CER ECJ0EB1E102K | T | 84.5/37.1 |
| C141 | 4030017460 | S.CER ECJ0EB1E102K | T | 73.6/21.3 |
| C142 | 4030017330 | S.CER ECJ0EF1C104Z | B | 68.7/41.9 |
| C143 | 4030017460 | S.CER ECJ0EB1E102K | T | 77.2/23.6 |
| C144 | 4030016950 | S.CER ECJ0EB1A473K | T | 69.8/20.3 |
| C145 | 4030017420 | S.CER ECJ0EC1H470J | T | 76.4/27.6 |
| C146 | 4030016950 | S.CER ECJ0EB1A473K | B | 68.7/40.9 |
| C147 | 4030017420 | S.CER ECJ0EC1H470J | T | 86.5/32.4 |
| C148 | 4550006250 | S.TAN TEESVA 1A 106M8R | T | 67.2/7.6 |
| C149 | 4030017730 | S.CER ECJ0EB1E471K | T | 70.8/18.3 |
| C150 | 4030017490 | S.CER C1608 JB 1A 105K-T | B | 24.4/15.1 |
| C151 | 4030017460 | S.CER ECJ0EB1E102K | B | 83.2/40.2 |
| C152 | 4030017420 | S.CER ECJ0EC1H470J | T | 82.2/40.2 |
| C153 | 4030017420 | S.CER ECJ0EC1H470J | T | 81.2/40.2 |
| C154 | 4030017420 | S.CER ECJ0EC1H470J | T | 73.1/32.6 |
| C155 | 4030017460 | S.CER ECJ0EB1E102K | B | 64.9/35.4 |
| C156 | 4030017430 | S.CER ECJ0EC1H101J | B | 63.1/35.4 |
| C157 | 4030017620 | S.CER ECJ0EC1H100C | B | 61.7/35.3 |
| C158 | 4030017330 | S.CER ECJ0EF1C104Z | B | 59.4/38.8 |
| C159 | 4030017460 | S.CER ECJ0EB1E102K | B | 69.5/12 |
| C160 | 4030017460 | S.CER ECJ0EB1E102K except ④, ⑥, ⑧, ⑭, ⑯, ⑰ | T | 69.5/12 |
| | 4030017730 | S.CER ECJ0EB1E471K ④, ⑥, ⑧, ⑭, ⑯, ⑰ | T | 83.3/27.6 |
| C161 | 4030017620 | S.CER ECJ0EC1H100C | T | 83.2/24 |
| C162 | 4030017500 | S.CER ECJ0EC1H560J | T | 84.5/23.4 |
| C163 | 4030017570 | S.CER ECJ0EC1H040B | T | 83.2/23 |
| C164 | 4030017590 | S.CER ECJ0EC1H070C | T | 83.2/25.3 |
| C165 | 4030016790 | S.CER ECJ0EB1C103K | T | 83.1/21.7 |
| C166 | 4030017360 | S.CER ECJ0EC1H030B | B | 83.1/11.6 |
| C167 | 4030017330 | S.CER ECJ0EF1C104Z | B | 75/8.5 |
| C168 | 4030017460 | S.CER ECJ0EB1E102K except ④, ⑥, ⑧, ⑭, ⑯, ⑰ | T | 75/8.5 |
| | 4030017730 | S.CER ECJ0EB1E471K ④, ⑥, ⑧, ⑭, ⑯, ⑰ | T | 68.8/7 |
| C169 | 4030017420 | S.CER ECJ0EC1H470J | B | 51.1/26 |
| C170 | 4030017330 | S.CER ECJ0EF1C104Z | B | 70.3/40.9 |
| C171 | 4030017460 | S.CER ECJ0EB1E102K | B | 52.1/26 |
| C172 | 4030016950 | S.CER ECJ0EB1A473K | B | 53.5/28.1 |
| C174 | 4030017710 | S.CER ECJ0EC1H181J | B | 71.8/41.4 |
| C175 | 4030017420 | S.CER ECJ0EC1H470J | T | 99.4/36.2 |
| C176 | 4030017330 | S.CER ECJ0EF1C104Z | B | 100.3/41.5 |
| C177 | 4030017330 | S.CER ECJ0EF1C104Z | B | 55.2/31.9 |
| C180 | 4030017330 | S.CER ECJ0EF1C104Z | B | 87.2/22.9 |
| C182 | 4030017460 | S.CER ECJ0EB1E102K | B | 84.9/32.4 |
| C183 | 4030017640 | S.CER ECJ0EC1H150J | B | 90.6/38.9 |
| C184 | 4030017460 | S.CER ECJ0EB1E102K | T | 89.6/38.9 |
| C185 | 4030017460 | S.CER ECJ0EB1E102K | T | 89.1/36.8 |
| C186 | 4030017330 | S.CER ECJ0EF1C104Z | T | 82.8/12.2 |
| C188 | 4030017460 | S.CER ECJ0EB1E102K | B | 70.4/30.4 |
| C191 | 4030017380 | S.CER ECJ0EC1H050B ④, ⑥, ⑧, ⑭, ⑯, ⑰ | B | 70.4/30.4 |
| | 4030018120 | S.CER ECJ0EC1H110J except ④, ⑥, ⑧, ⑭, ⑯, ⑰ | B | 70.2/5 |
| C192 | 4030017370 | S.CER ECJ0EC1H3R5B ⑧, ⑱ | B | 70.2/5 |
| | 4030017570 | S.CER ECJ0EC1H040B ④, ⑥, ⑭, ⑰ | B | 70.2/5 |
| | 4030017580 | S.CER ECJ0EC1H060C ①, ②, ⑨, ⑩, ⑪, ⑫, ⑱, ⑲, ⑳ | B | 70.2/5 |
| | 4030017610 | S.CER ECJ0EC1H090C ③, ⑤, ⑦, ⑬, ⑮, ⑰, ⑱ | B | 70.2/5 |
| C193 | 4030017420 | S.CER ECJ0EC1H470J ①, ②, ⑦, ⑨, ⑩, ⑪, ⑫, ⑱, ⑲, ⑳ only | B | 66.9/31.5 |
| C205 | 4030017380 | S.CER ECJ0EC1H050B | T | 79.9/33.1 |
| C206 | 4030017590 | S.CER ECJ0EC1H070C | B | 78.1/33.9 |

[MAIN UNIT]

S.=Surface mount

| REF NO. | ORDER NO. | DESCRIPTION | M. | H/V LOCATION |
|---------|------------|--|----|--------------|
| C314 | 4030017740 | S.CER ECJ0EB1E821K | B | 55.2/18.7 |
| C315 | 4030017330 | S.CER ECJ0EF1C104Z | B | 49.2/20.6 |
| C316 | 4030017420 | S.CER ECJ0EC1H470J | B | 57.4/19.1 |
| C317 | 4030017770 | S.CER ECJ0EB1E332K | B | 59.2/21.7 |
| C318 | 4030017690 | S.CER ECJ0EC1H121J | B | 57.3/28.5 |
| C319 | 4030017760 | S.CER ECJ0EB1H222K | B | 58.9/23.8 |
| C320 | 4030017460 | S.CER ECJ0EB1E102K | B | 60.2/27 |
| C321 | 4030017460 | S.CER ECJ0EB1E102K | T | 91.1/3.1 |
| C322 | 4030017420 | S.CER ECJ0EC1H470J | T | 100.1/18.6 |
| C323 | 4030016950 | S.CER ECJ0EB1A473K | T | 94.5/20.4 |
| C324 | 4550007110 | S.TAN SY6-1A107M-RC | B | 99.4/16.5 |
| C325 | 4550006250 | S.TAN TEESVA 1A 106M8R | T | 101.4/15.8 |
| C326 | 4550007080 | S.TAN TEESVA 1C 106M8R | T | 92.9/16.9 |
| C327 | 4030017330 | S.CER ECJ0EF1C104Z | T | 93.8/13.6 |
| C328 | 4030017460 | S.CER ECJ0EB1E102K | T | 87.7/20.3 |
| C329 | 4030017460 | S.CER ECJ0EB1E102K | T | 87.7/21.3 |
| C330 | 4030017330 | S.CER ECJ0EF1C104Z | T | 92.9/21.1 |
| C331 | 4030017460 | S.CER ECJ0EB1E102K | T | 101.7/12.4 |
| C332 | 4030017460 | S.CER ECJ0EB1E102K | T | 82.9/3.7 |
| C333 | 4550007040 | S.TAN ECST0J106R ③, ④, ⑤, ⑥, ⑦, ⑬, ⑭, ⑮, ⑯, ⑰, ⑱ only | T | 81.5/4 |
| C334 | 4030017330 | S.CER ECJ0EF1C104Z | T | 75.7/5.4 |
| C335 | 4030018860 | S.CER ECJ0EB0J105K | B | 40/32.9 |
| C336 | 4030017730 | S.CER ECJ0EB1E471K | B | 40/36.9 |
| C337 | 4030017490 | S.CER C1608 JB 1A 105K-T | T | 96.4/7.9 |
| C338 | 4030017330 | S.CER ECJ0EF1C104Z | B | 34.5/20.7 |
| C339 | 4030016790 | S.CER ECJ0EB1C103K | B | 32.6/18 |
| C340 | 4030017330 | S.CER ECJ0EF1C104Z | B | 9.6/16.5 |
| C345 | 4030017330 | S.CER ECJ0EF1C104Z | B | 19/34.9 |
| C346 | 4030017600 | S.CER ECJ0EC1H080C | B | 27.5/26.4 |
| C347 | 4030017640 | S.CER ECJ0EC1H150J | B | 27.4/36 |
| C348 | 4030017400 | S.CER ECJ0EC1H220J | B | 26.6/28 |
| C349 | 4030017330 | S.CER ECJ0EF1C104Z | B | 26/31.5 |
| C350 | 4030017330 | S.CER ECJ0EF1C104Z | B | 27.3/33 |
| C351 | 4030017330 | S.CER ECJ0EF1C104Z | B | 27.4/35 |
| C352 | 4030017030 | S.CER ECJ0EB1A273K | B | 23/41.3 |
| C353 | 4030017330 | S.CER ECJ0EF1C104Z | B | 14/32 |
| C354 | 4030016790 | S.CER ECJ0EB1C103K | B | 30.8/18 |
| C355 | 4030017460 | S.CER ECJ0EB1E102K | B | 51.5/7.6 |
| C356 | 4030017330 | S.CER ECJ0EF1C104Z | B | 15.4/4 |
| C357 | 4030018560 | S.CER C2012 JB 1A 475K-T | B | 25.4/40.9 |
| C359 | 4030017330 | S.CER ECJ0EF1C104Z | B | 21.6/38.8 |
| C360 | 4030017330 | S.CER ECJ0EF1C104Z | B | 49.8/26.5 |
| C368 | 4030017460 | S.CER ECJ0EB1E102K | T | 95.5/41.6 |
| C369 | 4030017400 | S.CER ECJ0EC1H220J | B | 94.2/39.5 |
| | 4030017660 | S.CER ECJ0EC1H330J except ④, ⑥, ⑧, ⑩, ⑬, ⑮, ⑰ | B | 94.2/39.5 |
| C371 | 4030017330 | S.CER ECJ0EF1C104Z | B | 45.9/32.5 |
| C375 | 4030017460 | S.CER ECJ0EB1E102K | T | 86/18 |
| C376 | 4030017460 | S.CER ECJ0EB1E102K | T | 86/17 |
| C377 | 4030017460 | S.CER ECJ0EB1E102K | B | 30.4/8.7 |
| C378 | 4030017460 | S.CER ECJ0EB1E102K | B | 37.9/44.2 |
| C379 | 4030017460 | S.CER ECJ0EB1E102K | T | 84.1/3.7 |
| C380 | 4030017330 | S.CER ECJ0EF1C104Z | B | 36.8/33.6 |
| C384 | 4030018100 | S.CER ECJ0EB1H681K | T | 61.7/15.4 |
| C386 | 4030017330 | S.CER ECJ0EF1C104Z | T | 58.6/13.3 |
| C387 | 4030017330 | S.CER ECJ0EF1C104Z | T | 59.8/13.3 |
| C388 | 4030017330 | S.CER ECJ0EF1C104Z | T | 60.9/14.1 |
| C390 | 4030017420 | S.CER ECJ0EC1H470J | T | 79.5/28.8 |
| C393 | 4030017330 | S.CER ECJ0EF1C104Z | T | 77.8/16.1 |
| C394 | 4030017330 | S.CER ECJ0EF1C104Z | T | 78.2/17.4 |
| C395 | 4030017420 | S.CER ECJ0EC1H470J | B | 91.4/34.8 |
| C396 | 4030017360 | S.CER ECJ0EC1H030B | B | 84.7/24.8 |
| C397 | 4030017580 | S.CER ECJ0EC1H060C | B | 84.9/27 |
| C398 | 4030017460 | S.CER ECJ0EB1E102K | B | 68.1/34.3 |
| C399 | 4550007120 | S.TAN F92 1D 224MPA | T | 67.5/35.4 |
| C400 | 4030017460 | S.CER ECJ0EB1E102K | B | 72.2/27.5 |
| C401 | 4030017330 | S.CER ECJ0EF1C104Z | B | 71.3/28.2 |
| C402 | 4030017460 | S.CER ECJ0EB1E102K | T | 92.9/19.9 |
| C403 | 4030017460 | S.CER ECJ0EB1E102K | B | 36.3/16.6 |
| C404 | 4030016790 | S.CER ECJ0EB1C103K | B | 59.1/35.3 |
| C405 | 4030017460 | S.CER ECJ0EB1E102K | B | 39.4/42.9 |
| C406 | 4030017330 | S.CER ECJ0EF1C104Z | B | 52.3/19.5 |
| C407 | 4030017460 | S.CER ECJ0EB1E102K | T | 95.9/2.9 |
| C408 | 4030017460 | S.CER ECJ0EB1E102K | T | 100.9/4.2 |
| C409 | 4030017460 | S.CER ECJ0EB1E102K | B | 16.6/32.9 |
| C411 | 4030017330 | S.CER ECJ0EF1C104Z | B | 18.6/32.4 |
| C412 | 4030017420 | S.CER ECJ0EC1H470J | T | 78.4/3.1 |
| C413 | 4030018080 | S.CER ECJ0EB1H182K | T | 74.9/16.9 |
| C414 | 4030018860 | S.CER ECJ0EB0J105K | B | 34.5/34.2 |
| C415 | 4030017520 | S.CER ECJ0EC1H0R3B | B | 69.1/34.4 |
| C416 | 4030018860 | S.CER ECJ0EB0J105K | T | 91.3/14.4 |
| C417 | 4030017330 | S.CER ECJ0EF1C104Z | T | 80.9/12.2 |
| C418 | 4030017420 | S.CER ECJ0EC1H470J | B | 80.6/22.6 |
| C419 | 4030017620 | S.CER ECJ0EC1H100C | B | 79.3/23.1 |
| C420 | 4030017380 | S.CER ECJ0EC1H050B except ⑤, ⑥, ⑮, ⑰ | T | 94.6/28.5 |
| | 4030017620 | S.CER ECJ0EC1H100C ⑤, ⑥, ⑮, ⑰ | T | 94.6/28.5 |
| C421 | 4550006780 | S.TAN TEESVB2 0J 476M8R | B | 30.5/41.2 |
| C422 | 4550006780 | S.TAN TEESVB2 0J 476M8R | B | 55.6/15.4 |
| C423 | 4030017730 | S.CER ECJ0EB1E471K | T | 84.9/29.9 |
| C424 | 4030017730 | S.CER ECJ0EB1E471K | T | 97.9/42.3 |
| C425 | 4030017420 | S.CER ECJ0EC1H470J | T | 70.7/27.1 |
| J2 | 6450002250 | CNR HSJ1456-010320 | | |
| J3 | 6450001680 | CNR HSJ1122-010010 | | |
| J4 | 6510021901 | S.CNR BM02B-ASRS-TF | T | 88.1/4.5 |
| J5 | 6510018430 | S.CNR AXN330C038P | B | 15.2/9.8 |
| J6 | 6510024391 | S.CNR IMSA-6176S-03Y902 | B | 88.2/8.8 |
| J7 | 6510024740 | S.CNR IPS-4039T-02B (4039T-01Y901) | B | 92.5/29 |

①: GT [MTG-01] ②: GT [MTE-01] ③: GT [USA-01] ④: GT [USA-02] ⑤: GT [GEN-01]
⑥: GT [GEN-02] ⑦: GT [EUR-01] ⑧: GT [AUS-02] ⑨: GT [CHN-01] ⑩: GT [USA-04]

[MAIN UNIT]

M.=T: Mounted on the Top side, B: Mounted on the Bottom side

| REF NO. | ORDER NO. | DESCRIPTION | M. | H/V LOCATION |
|---------|------------|--------------------------|----|--------------|
| DS1 | 5010000160 | S.LED LNJ310M6URA | T | 57.3/6 |
| DS2 | 5010000160 | S.LED LNJ310M6URA | T | 57.3/39.4 |
| DS3 | 5030002760 | LCD L3-0200HAY-3 (-4) | | |
| MC1 | 7700002480 | MIC SKB-2746 LPC | | |
| S1 | 2230001060 | S.SW EVQ-PUL 02K | T | 102.2/38.1 |
| S2 | 2260002840 | SW SKHLLFA010 | | |
| S3 | 2260002800 | S.SW SW-167 (SKQTLAE010) | B | 61.1/44.2 |
| S4 | 2260002800 | S.SW SW-167 (SKQTLAE010) | B | 51.6/44.2 |
| S5 | 2260002800 | S.SW SW-167 (SKQTLAE010) | B | 99.6/44.2 |
| S27 | 2250000180 | ECR EC10SP16-47 | | |
| EP1 | 6910015370 | S.BEA ACZ1005Y-102-T | B | 76.6/30.8 |
| EP3 | 6910015370 | S.BEA ACZ1005Y-102-T | B | 59.4/36.9 |
| EP4 | 6910015370 | S.BEA ACZ1005Y-102-T | B | 37.4/19 |
| EP5 | 6910015370 | S.BEA ACZ1005Y-102-T | B | 32/8.3 |
| EP6 | 6910015370 | S.BEA ACZ1005Y-102-T | T | 74.4/31.6 |
| EP7 | 8930063020 | LCT SRCN-2721-SP-N-W | | |
| EP11 | 6910015370 | S.BEA ACZ1005Y-102-T | T | 78/11.7 |
| EP12 | 0800008200 | ADP IC20-DES TRANSCRYPT | | |

[PA UNIT]

| REF NO. | ORDER NO. | DESCRIPTION | M. | H/V LOCATION |
|---------|------------|--|----|--------------|
| Q701 | 1560001231 | S.FET RD07MVS1-T112 | B | 22.6/8.3 |
| Q702 | 1560001241 | S.FET RD01MUS1-T113 | B | 15.7/8.2 |
| Q703 | 1530000370 | S.TR 2SC3356-T1B | T | 8.4/14 |
| Q704 | 1530003260 | S.TR 2SC5006-T1 | T | 3.9/7 |
| D701 | 1750000581 | S.DIO 1SV307 (TPH3,F) | T | 33.9/12.8 |
| D702 | 1790001670 | S.DIO RB706F-40T106 | T | 28.8/17.8 |
| D703 | 1790001670 | S.DIO RB706F-40T106 | B | 30.9/13.6 |
| D704 | 1790001260 | S.DIO MA2S077-(TX) | B | 29.3/18 |
| D705 | 1790001240 | S.DIO MA2S728-(TX) | T | 25.9/18.1 |
| L701 | 6200002851 | S.COL NLV25T-R82J | B | 34.4/12.4 |
| L703 | 6200009470 | S.COL 0.40-0.9-2TL except ①, ②, ⑧, ⑩, ⑫, ⑰ | T | 30.1/13.6 |
| | 6200012610 | S.COL 0.40-0.9-2TL 2.8N ①, ②, ⑧, ⑩, ⑫, ⑰ | T | 30.1/13.6 |
| L704 | 6200009470 | S.COL 0.40-0.9-2TL except ①, ②, ⑧, ⑩, ⑫, ⑰ | T | 24.1/14.1 |
| | 6200012610 | S.COL 0.40-0.9-2TL 2.8N ①, ②, ⑧, ⑩, ⑫, ⑰ | T | 24.1/14.1 |
| L705 | 6200008240 | S.COL 0.30-0.9-5TL 14N except ①, ②, ⑧, ⑩, ⑫, ⑰ | B | 19.4/13.5 |
| | 6200013010 | S.COL 0.30-0.9-5TL 10.3N ①, ②, ⑧, ⑩, ⑫, ⑰ | B | 19.4/13.5 |
| L706 | 6200003590 | S.COL EXCCL3225U1 | B | 10.7/15.9 |
| L707 | 6200005680 | S.COL ELJRE 15NG-F ④, ⑥, ⑭, ⑰, ⑱ | T | 9.1/16.1 |
| | 6200005681 | S.COL ELJRE 15NGFA ⑧ | T | 9.1/16.1 |
| | 6200005690 | S.COL ELJRE 18NG-F ③, ⑤, ⑦, ⑩, ⑬, ⑮, ⑰, ⑱ | T | 9.1/16.1 |
| | 6200005691 | S.COL ELJRE 18NGFA ①, ②, ⑨, ⑪, ⑫, ⑰ | T | 9.1/16.1 |
| L708 | 6200005741 | S.COL ELJRE 47NGFA | T | 3.3/10.3 |
| L709 | 6200008240 | S.COL 0.30-0.9-5TL 14N except ①, ②, ⑧, ⑩, ⑫, ⑰ | T | 33.7/16.7 |
| | 6200013010 | S.COL 0.30-0.9-5TL 10.3N ①, ②, ⑧, ⑩, ⑫, ⑰ | T | 33.7/16.7 |
| L712 | 6200009070 | S.COL LQW18AN18NG00D | B | 32.2/15.8 |
| R701 | 7030004980 | S.RES ERJ2GEJ 101 X (100) | B | 31.4/11.8 |
| R702 | 7030005030 | S.RES ERJ2GEJ 152 X (1.5 k) | T | 29.6/15.7 |
| R702 | 7030005120 | S.RES ERJ2GEJ 102 X (1 k) | T | 29.6/15.7 |
| R703 | 7030005120 | S.RES ERJ2GEJ 102 X (1 k) | B | 27.2/16.3 |
| R704 | 7030005530 | S.RES ERJ2GEJ 100 X (10) | T | 18.4/2.9 |
| R705 | 7030005520 | S.RES ERJ2GEJ 223 X (22 k) ④, ⑥, ⑧, ⑫, ⑭, ⑰, ⑱ only | T | 16.9/2.4 |
| R706 | 7030005040 | S.RES ERJ2GEJ 472 X (4.7 k) | T | 14.5/2.9 |
| R708 | 7030004990 | S.RES ERJ2GEJ 221 X (220) | B | 12.8/11.4 |
| R710 | 7030005040 | S.RES ERJ2GEJ 472 X (4.7 k) | B | 10.8/10.7 |
| R712 | 7030005220 | S.RES ERJ2GEJ 223 X (22 k) | T | 4.5/13.9 |
| R715 | 7030005520 | S.RES ERJ2GEJ 223 X (22 k) | T | 3.8/8.9 |
| R726 | 7030005120 | S.RES ERJ2GEJ 102 X (1 k) | B | 27.7/14.9 |
| R727 | 7030005030 | S.RES ERJ2GEJ 152 X (1.5 k) ③, ④, ⑥, ⑧, ⑫, ⑭, ⑰, ⑱ | B | 34.9/14.7 |
| | 7030005120 | S.RES ERJ2GEJ 102 X (1 k) except ③, ④, ⑥, ⑧, ⑫, ⑭, ⑰, ⑱ | B | 34.9/14.7 |
| R728 | 7030010040 | S.RES ERJ2GEJ-JPW except ④, ⑥, ⑧, ⑫, ⑭, ⑰, ⑱ | B | 19/11.1 |
| | 7030011210 | S.RES ERJ2GEJ 1R0V (1) ④, ⑥, ⑧, ⑫, ⑭, ⑰, ⑱ | B | 19/11.1 |
| R729 | 7030004990 | S.RES ERJ2GEJ 221 X (220) | | |
| C701 | 4030017460 | S.CER ECJ0EB1E102K | T | 35/10.7 |
| C702 | 4030017420 | S.CER ECJ0EC1H470J | B | 31.3/10.5 |
| C703 | 4030017460 | S.CER ECJ0EB1E102K | B | 32.3/10.5 |
| C705 | 4030006990 | S.CER C1608 CH 1H 080D-T except ④, ⑥, ⑧, ⑫, ⑭, ⑰, ⑱ | T | 31.4/10.9 |
| | 4030009520 | S.CER C1608 CH 1H 020B-T ④, ⑥, ⑧, ⑫, ⑭, ⑰, ⑱ | T | 31.4/10.9 |

①: GS [MTG-01] ②: GS [MTE-01] ③: GS [USA-01] ④: GS [USA-02] ⑤: GS [GEN-01]
⑥: GS [GEN-02] ⑦: GS [EUR-01] ⑧: GS [AUS-02] ⑨: GS [USA-04] ⑩: GS [CHN-01]

[PA UNIT]

| REF NO. | ORDER NO. | DESCRIPTION | M. | H/V LOCATION |
|---------|------------|----------------------------|----|--------------|
| C707 | 4030017460 | S.CER ECJ0EB1E102K | B | 26.3/17.6 |
| C708 | 4030006860 | S.CER C1608 JB 1H 102K-T | T | 28.5/13.7 |
| C709 | 4030006980 | S.CER C1608 CH 1H 070D-T | T | 27.3/13.7 |
| | 4030011770 | S.CER C1608 CH 1H 060B-T | T | 27.3/13.7 |
| C711 | 4030006960 | S.CER C1608 CH 1H 050C-T | T | 25.9/13.7 |
| C712 | 4030007020 | S.CER C1608 CH 1H 120J-T | T | 22.3/13.8 |
| | 4030007040 | S.CER C1608 CH 1H 180J-T | T | 22.3/13.8 |
| C713 | 4030008560 | S.CER C1608 CH 1H 300J-T | B | 27/13.2 |
| C715 | 4030017460 | S.CER ECJ0EB1E102K | B | 15.4/13.1 |
| C716 | 4030017460 | S.CER ECJ0EB1E102K | B | 14.4/13.1 |
| C718 | 4030017460 | S.CER ECJ0EB1E102K | T | 15.9/2.4 |
| C719 | 4030016790 | S.CER ECJ0EB1C103K | B | 12.7/13.1 |
| C720 | 4030017670 | S.CER ECJ0EC1H390J | B | 19/8.4 |
| | 4030018070 | S.CER ECJ0EC1H300J | B | 19/8.4 |
| C721 | 4030017380 | S.CER ECJ0EC1H050B | B | 17.2/11.5 |
| C722 | 4030017420 | S.CER ECJ0EC1H470J | B | 16.4/13.1 |
| C723 | 4030017460 | S.CER ECJ0EB1E102K | B | 10.6/9.8 |
| C724 | 4030017460 | S.CER ECJ0EB1E102K | B | 8.3/16 |
| C725 | 4030017420 | S.CER ECJ0EC1H470J | T | 10.6/13.3 |
| C726 | 4030017460 | S.CER ECJ0EB1E102K | T | 11.6/13.3 |
| C727 | 4030017460 | S.CER ECJ0EB1E102K | T | 12.6/13.3 |
| C729 | 4030017360 | S.CER ECJ0EC1H030B | B | 11/11.8 |
| | 4030017370 | S.CER ECJ0EC1H3R5B | B | 11/11.8 |
| | 4030017580 | S.CER ECJ0EC1H060C | B | 11/11.8 |
| C731 | 4030017360 | S.CER ECJ0EC1H030B | T | 4.1/12.9 |
| C732 | 4030017460 | S.CER ECJ0EB1E102K | T | 5.1/10.6 |
| C733 | 4030017360 | S.CER ECJ0EC1H030B | T | 4.9/5.5 |
| C734 | 4030017730 | S.CER ECJ0EB1E471K | T | 13.1/2.4 |
| C735 | 4030017360 | S.CER ECJ0EC1H030B | T | 3.5/11.5 |
| C742 | 4030017460 | S.CER ECJ0EB1E102K | T | 34/14.5 |
| C744 | 4030009910 | S.CER C1608 CH 1H 040B-T | T | 31.9/16.9 |
| C745 | 4030009350 | S.CER C1608 CH 1H 3R5B-T | T | 35.5/15.4 |
| C750 | 4030006980 | S.CER C1608 CH 1H 070D-T | B | 32.2/17 |
| | 4030006990 | S.CER C1608 CH 1H 080D-T | B | 32.2/17 |
| | 4030009920 | S.CER C1608 CH 1H 050B-T | B | 32.2/17 |
| C751 | 4030017380 | S.CER ECJ0EC1H050B | B | 30.3/17.6 |
| C752 | 4030017460 | S.CER ECJ0EB1E102K | B | 27.8/17.7 |
| | 4030017620 | S.CER ECJ0EC1H100C | B | 27.8/17.7 |
| C753 | 4030017460 | S.CER ECJ0EB1E102K | B | 28.2/16.4 |
| C754 | 4030017460 | S.CER ECJ0EB1E102K | B | 28.8/13.5 |
| C755 | 4030007030 | S.CER C1608 CH 1H 150J-T | T | 20.7/13.8 |
| | 4030009910 | S.CER C1608 CH 1H 040B-T | T | 20.7/13.8 |
| C756 | 4030017460 | S.CER ECJ0EB1E102K | B | 17.5/13.1 |
| C757 | 4030017460 | S.CER ECJ0EB1E102K | B | 17.5/14.9 |
| C758 | 4030017330 | S.CER ECJ0EF1C104Z | T | 12.1/2.4 |
| C759 | 4030017330 | S.CER ECJ0EF1C104Z | T | 6/7.9 |
| C760 | 4030017460 | S.CER ECJ0EB1E102K | T | 6.7/8.9 |
| C761 | 4030017530 | S.CER ECJ0EC1H0R5B | T | 3/5.5 |
| C762 | 4030017530 | S.CER ECJ0EC1H0R5B | T | 5.9/14.7 |
| C763 | 4030017420 | S.CER ECJ0EC1H470J | T | 10.7/17.3 |
| C766 | 4030017460 | S.CER ECJ0EB1E102K | T | 9.9/20.3 |
| C767 | 4030017420 | S.CER ECJ0EC1H470J | T | 9.9/19.4 |
| J701 | 6510024391 | S.CNR IMSA-6176S-03Y902 | B | 6.3/9.7 |
| J702 | 6910015891 | CNR 9230B-1-02Z140-PT1 | | |
| F701 | 5210000901 | S.FUS 0467003.NR (0434003) | B | 10.9/19.6 |
| EP711 | 6910015370 | S.BEA ACZ1005Y-102-T | T | 11.2/14.6 |
| EP712 | 6910015370 | S.BEA ACZ1005Y-102-T | T | 6.1/10.2 |

[ANT UNIT]

| REF NO. | ORDER NO. | DESCRIPTION | M. | H/V LOCATION |
|---------|------------|-----------------------------|----|--------------|
| L801 | 6200010920 | S.COL 0.30-1.2-4TR 15.0N | T | 5.7/12.2 |
| L802 | 6200010930 | S.COL 0.30-1.2-5TR 21.0N | T | 6.8/9.5 |
| | 6200012540 | S.COL 0.30-1.2-5TR 16.1N | T | 6.8/9.5 |
| R801 | 7030003670 | S.RES ERJ3GEYJ 823 V (82 k) | T | 3.3/14 |
| C802 | 4030009510 | S.CER C1608 CH 1H 010B-T | T | 6.5/7.7 |
| C803 | 4030006980 | S.CER C1608 CH 1H 070D-T | T | 3.3/11.1 |
| | 4030007000 | S.CER C1608 CH 1H 090D-T | T | 3.3/11.1 |
| C804 | 4030009530 | S.CER C1608 CH 1H 030B-T | T | 5/6.4 |
| | 4030009910 | S.CER C1608 CH 1H 040B-T | T | 5/6.4 |
| C805 | 4030009350 | S.CER C1608 CH 1H 3R5B-T | T | 7.9/6.3 |
| | 4030009530 | S.CER C1608 CH 1H 030B-T | T | 7.9/6.3 |
| C806 | 4030009510 | S.CER C1608 CH 1H 010B-T | T | 3.3/12.6 |

M.=Mounted side (T: Mounted on the Top side, B: Mounted on the Bottom side)
S.=Surface mount

[FUSE UNIT]

| REF NO. | ORDER NO. | DESCRIPTION | M. | H/V LOCATION |
|---------|------------|--------------------------|----|--------------|
| L901 | 6200006190 | S.COL BLM21PG300SN1D | T | 8.1/5.8 |
| L902 | 6200008210 | S.COL 0.45-1.5-5TL 23.2N | T | 3/5.2 |
| L903 | 6200008210 | S.COL 0.45-1.5-5TL 23.2N | T | 11.7/6.7 |
| C901 | 4030017460 | S.CER ECJ0EB1E102K | T | 5.9/4.3 |
| C902 | 4030017420 | S.CER ECJ0EC1H470J | T | 8.4/8.6 |
| C903 | 4030017460 | S.CER ECJ0EB1E102K | T | 9.3/8.6 |
| C904 | 4030017420 | S.CER ECJ0EC1H470J | T | 12.5/9 |
| C905 | 4030017460 | S.CER ECJ0EB1E102K | T | 13.4/9 |
| C906 | 4030017420 | S.CER ECJ0EC1H470J | T | 5.9/5.2 |
| J901 | 6910015881 | CNR 9230B-1-02Z141-PT1 | | |

①: GT [MTG-01] ②: GT [MTE-01] ③: GT [USA-01] ④: GT [USA-02] ⑤: GT [GEN-01]
⑥: GT [GEN-02] ⑦: GT [EUR-01] ⑧: GT [AUS-02] ⑨: GT [CHN-01] ⑩: GT [USA-04]
⑪: GS [MTG-01] ⑫: GS [MTE-01] ⑬: GS [USA-01] ⑭: GS [USA-02] ⑮: GS [GEN-01]
⑯: GS [GEN-02] ⑰: GS [EUR-01] ⑱: GS [AUS-02] ⑲: GS [USA-04] ⑳: GS [CHN-01]

SECTION 8

MECHANICAL PARTS

[CHASSIS PARTS]

| REF NO. | ORDER NO. | DESCRIPTION | QTY. |
|---------|------------|--|-------------------------------------|
| J1 | 6910015910 | ANT CONNECTOR 104 | 1 |
| J2 | 6910015860 | IMSA-6277S-Q2A-G | 1 |
| SP1 | 2510001061 | K036NA500-67 | 1 |
| W1 | 8900009640 | OPC-963 | 1 |
| MP1 | 8010019454 | 2721 CHASSIS-4 | 1 |
| MP2 | 8210020531 | 2721 T-FRONT PANEL-1 (Inc. MP3, MP4, MP5, MP6, MP7) | [10-key] 1 |
| | 8210020731 | 2721 S-FRONT PANEL-1 (Inc. MP3, MP4, MP5, MP6, MP7) | [4-key] 1 |
| MP3 | 8210020540 | 2721 PTT PANEL | 1 |
| MP4 | 8930061780 | 2721 PTT BUTTON | 1 |
| MP5 | 8930061800 | 2721 PTT RUBBER | 1 |
| MP6 | 8930040390 | Speaker net (B) | 1 |
| MP7 | 8930046050 | Speaker net (C) | 1 |
| MP8 | 8210020550 | 2721 REAR PANEL | 1 |
| MP9 | 8310060760 | 2721 WINDOW PLATE | 1 |
| MP10 | 8930065750 | 2721 A-WINDOW SHEET | 1 |
| MP12 | 8930061790 | 2721 KEYBOARD | [10-key] 1 |
| | 8930062760 | 2721 4-KEY | [4-key] 1 |
| MP13 | 8930061710 | 2721 MAIN SEAL | 1 |
| MP14 | 8930063060 | 2721 T-RUBBER | 1 |
| MP16 | 8930064661 | 2721 SIDE PLATE (A)-1 | 1 |
| MP17 | 8930061860 | 2721 TOP PLATE | 1 |
| MP20 | 8930061880 | 2721 MIC SPONGE | 1 |
| MP21 | 8930059360 | 2600 RELEASE BUTTON | 1 |
| MP22 | 8930063030 | 2721 RELEASE PLATE | 1 |
| MP23 | 8610007510 | knob spring NO.7800 | 1 |
| MP24 | 8610007920 | knob spring NO.1500 | 1 |
| MP25 | 8830001720 | 2721 ANT NUT | 1 |
| MP26 | 8810009221 | Screw BT B0 2X8 NI-ZK3 (BT) | 2 |
| MP27 | 8810009561 | Screw BT B0 2X6 NI-ZK3 (BT) | 2 |
| MP28 | 8810008971 | Otap 1flat washerB0 2X3.5NI-ZC3 (BT) | 11 |
| MP29 | 8610011930 | KNOB N-318 | 1 |
| MP30 | 8610012130 | KNOB N-323 | 1 |
| MP31 | 8810010430 | screw truss M3X5 SUS SSBC | 1 |
| MP32 | 8930063052 | 2721 PLATE-2 | 1 |
| MP33 | 8930046020 | 1123 SHEET (A)-1 | 1 |
| MP34 | 8930056540 | Push spring (AH) | 2 |
| MP35 | 8830001701 | VR NUT (Q)-1 | 1 |
| MP36 | 8830001690 | VR NUT (R) | 1 |
| MP37 | 8510016360 | 2721 MAIN SHIELD | 1 |
| MP38 | 8510016350 | 2721 ANT PLATE | 1 |
| MP42 | 8930062960 | WHITE SHEET (R) | 1 |
| MP47 | 8930048870 | 2056 A-SPONGE | [F44GT/GS] only 1 |
| MP48 | 8510016510 | 2721 PA-SHIELD PLATE | 1 |
| MP50 | 8510016761 | 2721 LO-SHIELD PLATE-1 | [USA-02], [GEN-02], [AUS-02] only 1 |

[MAIN UNIT]

| REF NO. | ORDER NO. | DESCRIPTION | QTY. |
|---------|------------|-------------------------|------|
| J2 | 6450002250 | HSJ1456-010320 | 1 |
| J3 | 6450001680 | HSJ1122-010010 | 1 |
| J4* | 6510021901 | BM02B-ASRS-TF (LF) (SN) | 1 |
| J5* | 6510018430 | AXN330C038 | 1 |
| J6* | 6510024391 | IMSA-6176S-03Y902 | 1 |
| J7* | 6510024740 | IPS-4039T-02B | 1 |
| DS3 | 5030003050 | S11188 | 1 |
| MC1 | 7700002760 | EM6027P-46C33-G-01 | 1 |
| S1* | 2230001060 | EVQ-PUL 02K | 1 |
| S2 | 2260002840 | SKHLLFA010 | 1 |
| S3* | 2260002800 | SW-167 (SKQT) | 1 |
| S4* | 2260002800 | SW-167 (SKQT) | 1 |
| S5* | 2260002800 | SW-167 (SKQT) | 1 |
| S27 | 2250000180 | EC10SP16-47 | 1 |
| EP7 | 8930063020 | SRCN-2721-SP-N-W | 2 |
| MP1* | 8510016130 | 2721 VCO CASE | 1 |
| MP2 | 8510016120 | 2721 VCO COVER | 1 |
| MP3 | 8930061890 | 2721 LCD HOLDER | 1 |
| MP4 | 8210020570 | 2721 REFLECTOR | 1 |

*: Refer to SECTION 10 "BOARD LAYOUTS."

[PA UNIT]

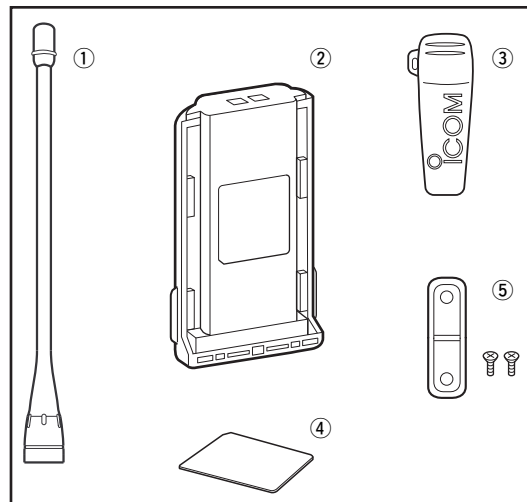
| REF NO. | ORDER NO. | DESCRIPTION | QTY. |
|---------|------------|--------------------|------|
| J701* | 6510024391 | IMSA-6176S-03Y902 | 1 |
| J702 | 6910015891 | 9230B-1-02Z140-PT1 | 1 |
| F701* | 5210000901 | 0467003.NR | 1 |
| MP701* | 8410002370 | 2337 PA HEATSINK | 1 |

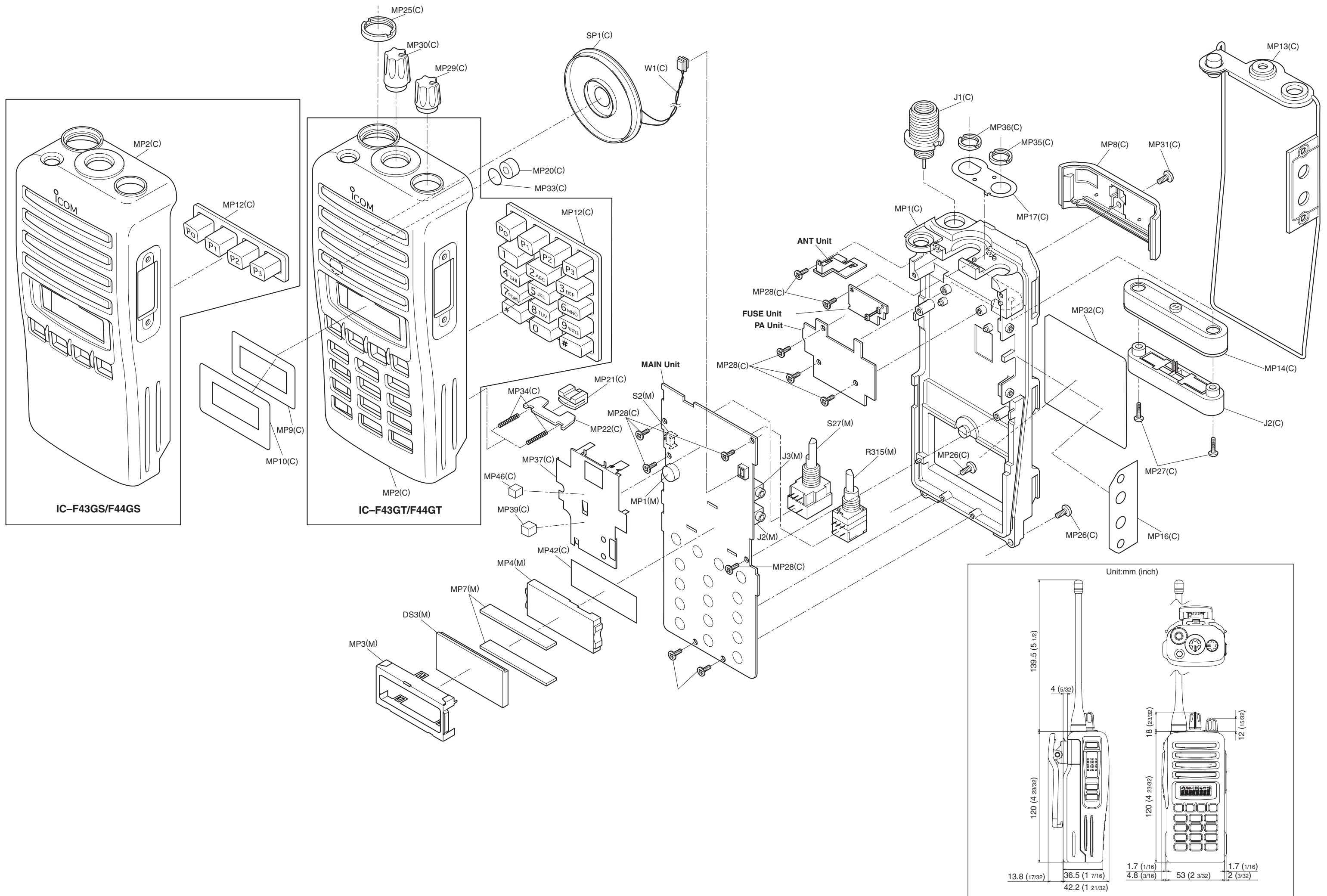
[FUSE UNIT]

| REF NO. | ORDER NO. | DESCRIPTION | QTY. |
|---------|------------|--------------------|------|
| J901 | 6910015881 | 9230B-1-02Z141-PT1 | 1 |

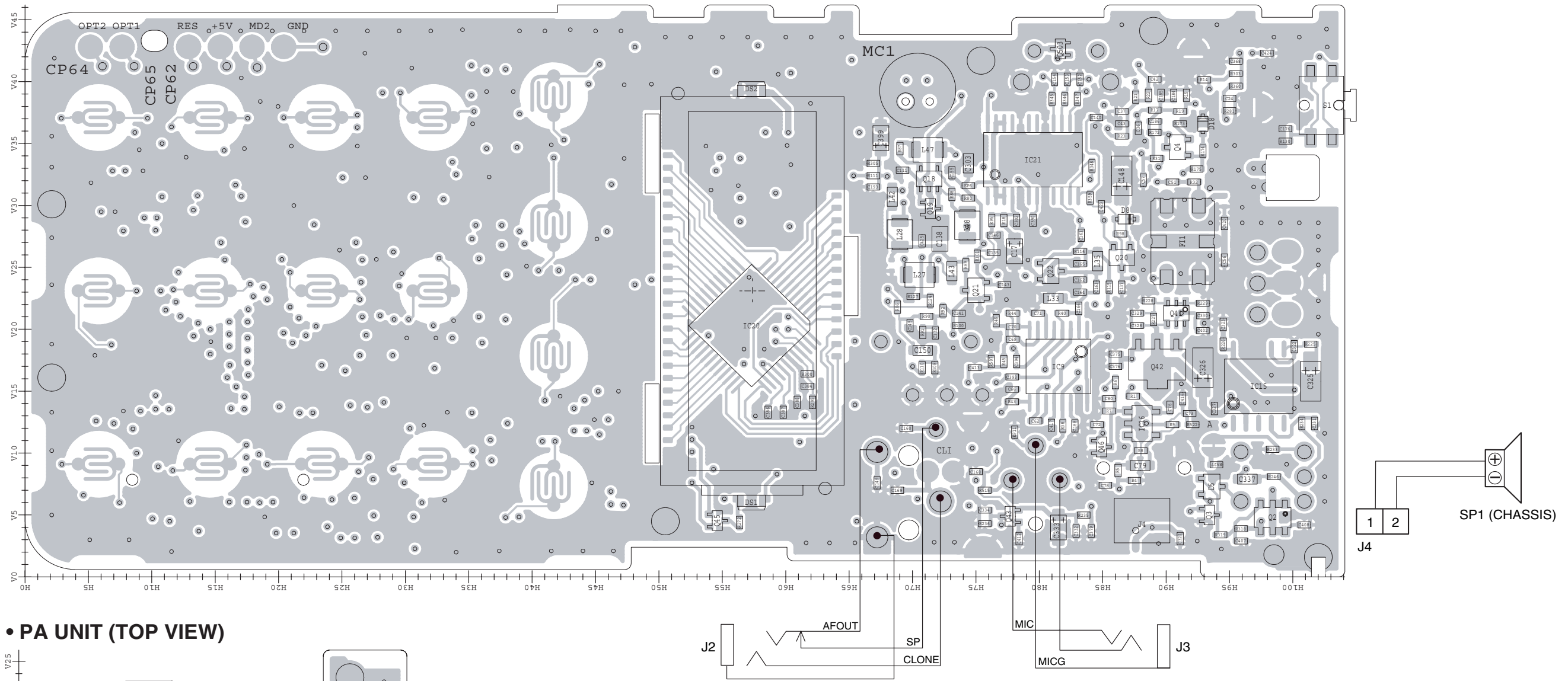
[ACCESSORIES]

| REF NO. | ORDER NO. | DESCRIPTION | QTY. |
|---------|------------|-------------------|----------------------|
| EP1 ① | Option | FA-SC57U-1 | [others] 1 |
| | Option | FA-SC72U-1 | [GEN-02], [AUS-02] 1 |
| EP2 ② | Option | BP-232N | 1 |
| MP1 ③ | Option | MB-94 | 1 |
| MP3 ⑤ | 8210020560 | 2721 JACK PANEL | 1 |
| MP4 ⑤ | 8810004861 | Screw PH M2X6 ZK3 | 2 |
| MP5 ④ | 8930063052 | 2721 PLATE-2 | 1 |

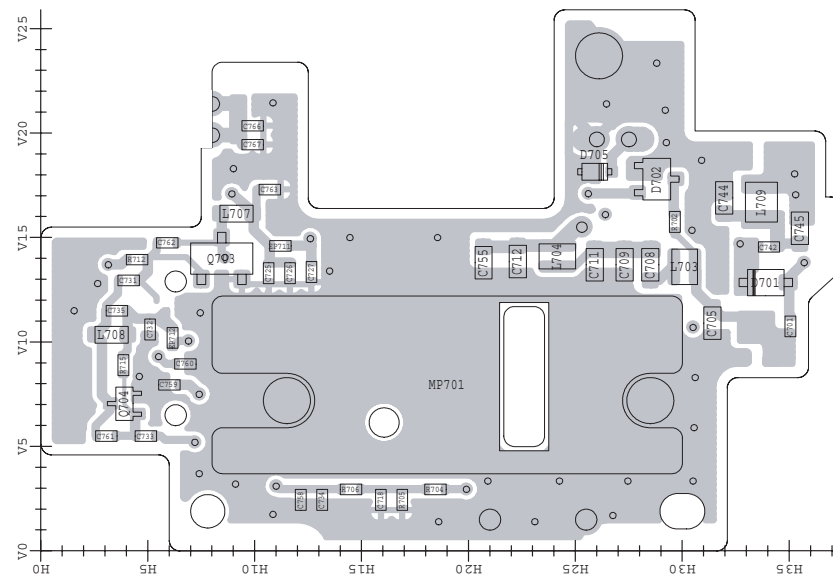




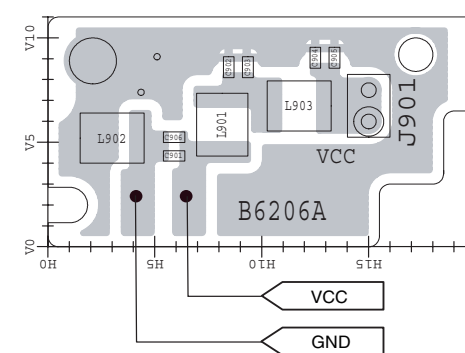
• MAIN UNIT (TOP VIEW)



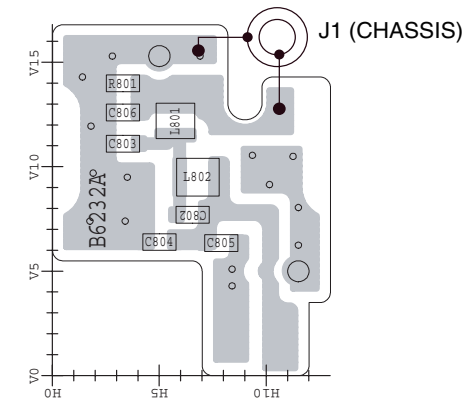
• PA UNIT (TOP VIEW)



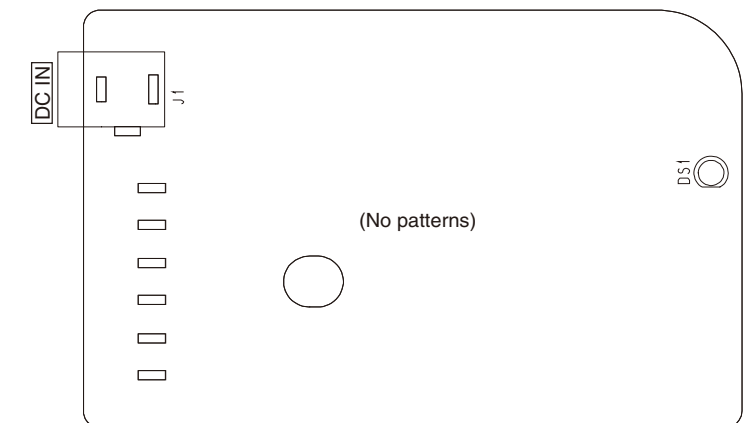
• FUSE UNIT (TOP VIEW)



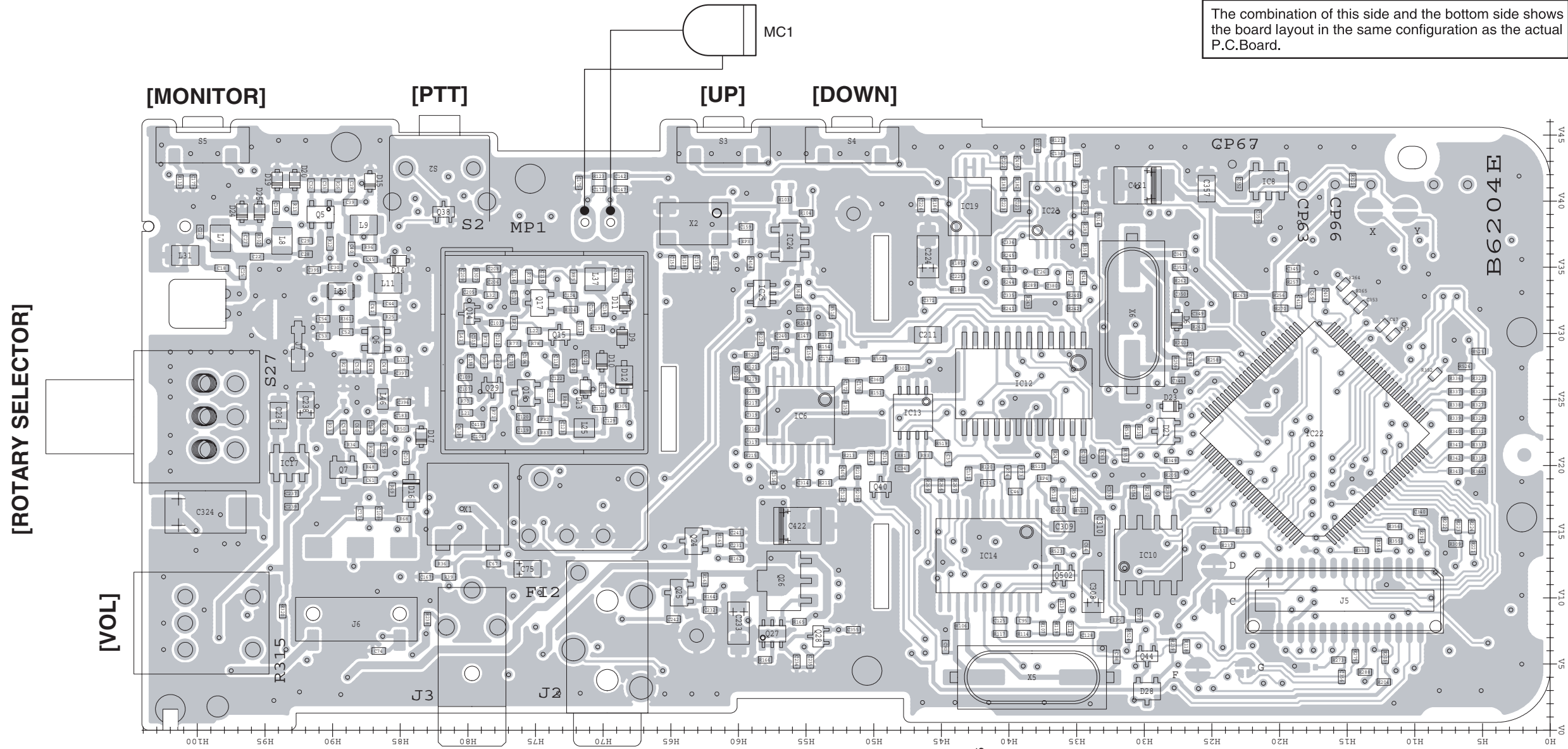
• ANT UNIT (TOP VIEW)



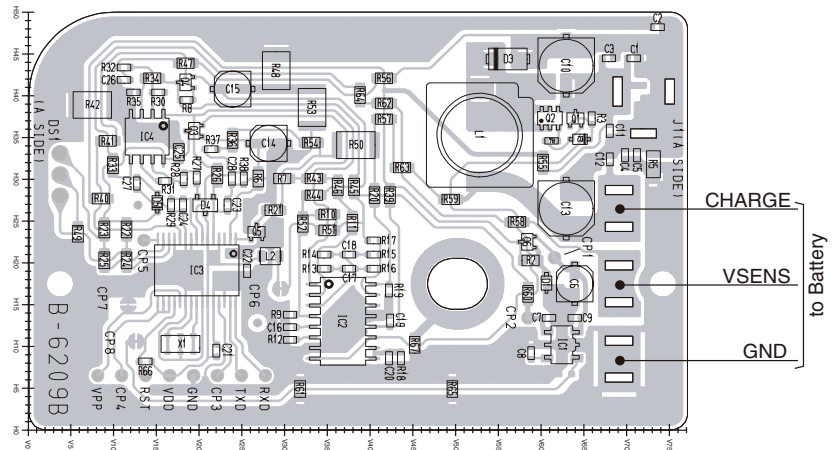
• BC-160 (TOP VIEW)



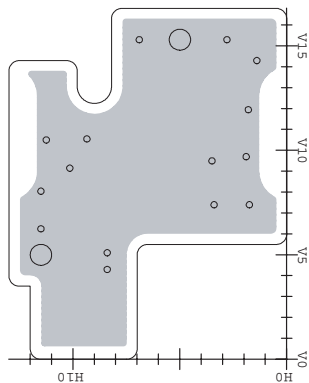
The combination of this side and the bottom side shows the board layout in the same configuration as the actual P.C.Board.



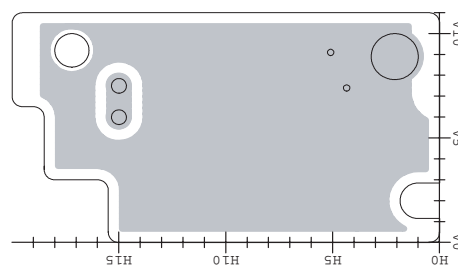
• BC-160 (BOTTOM VIEW)



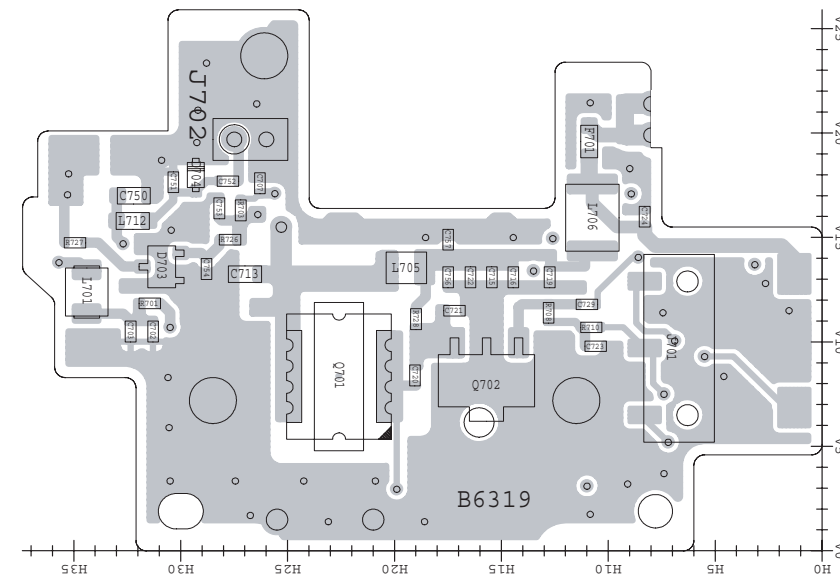
• ANT UNIT (BOTTOM VIEW)



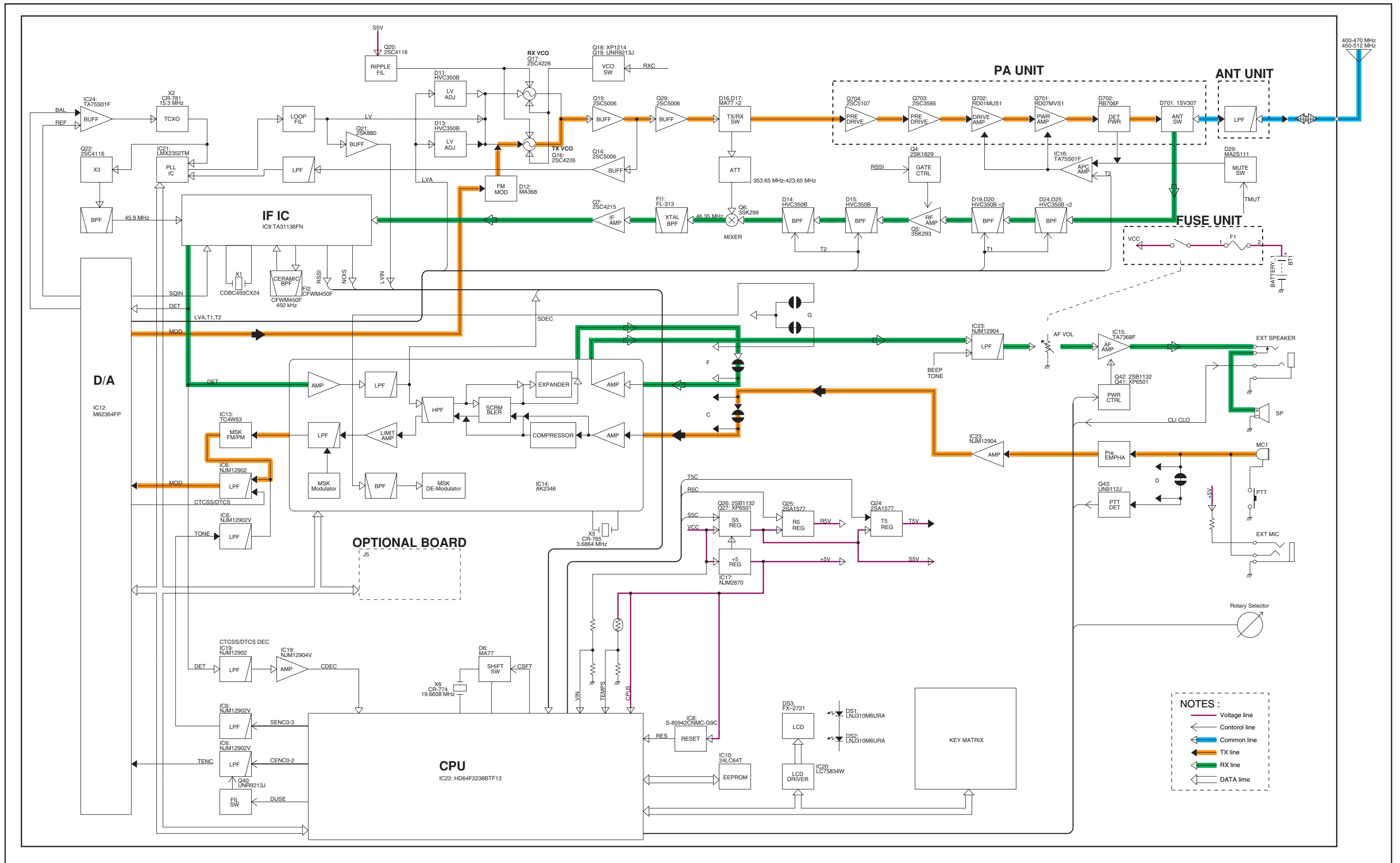
• FUSE UNIT (BOTTOM VIEW)

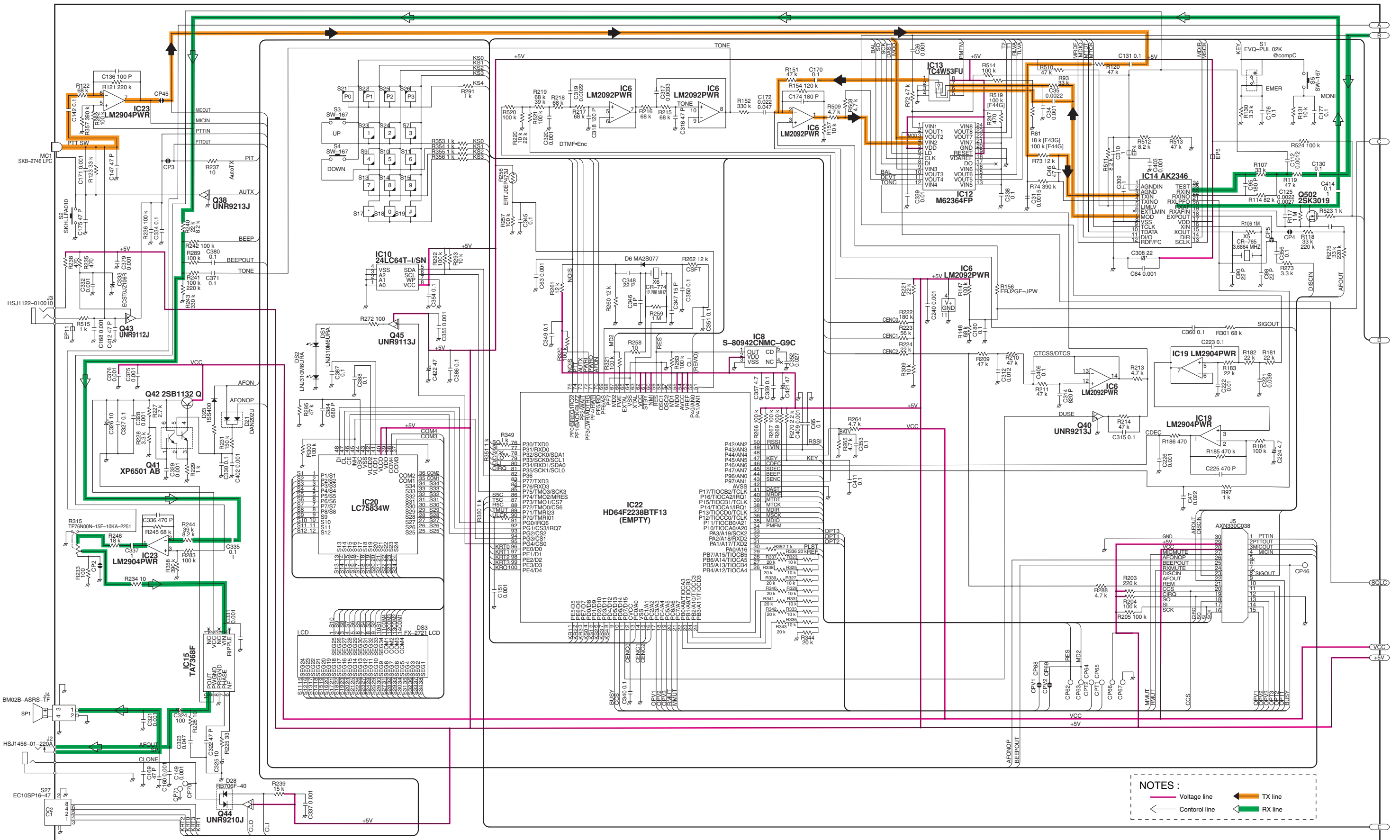


• PA UNIT (BOTTOM VIEW)



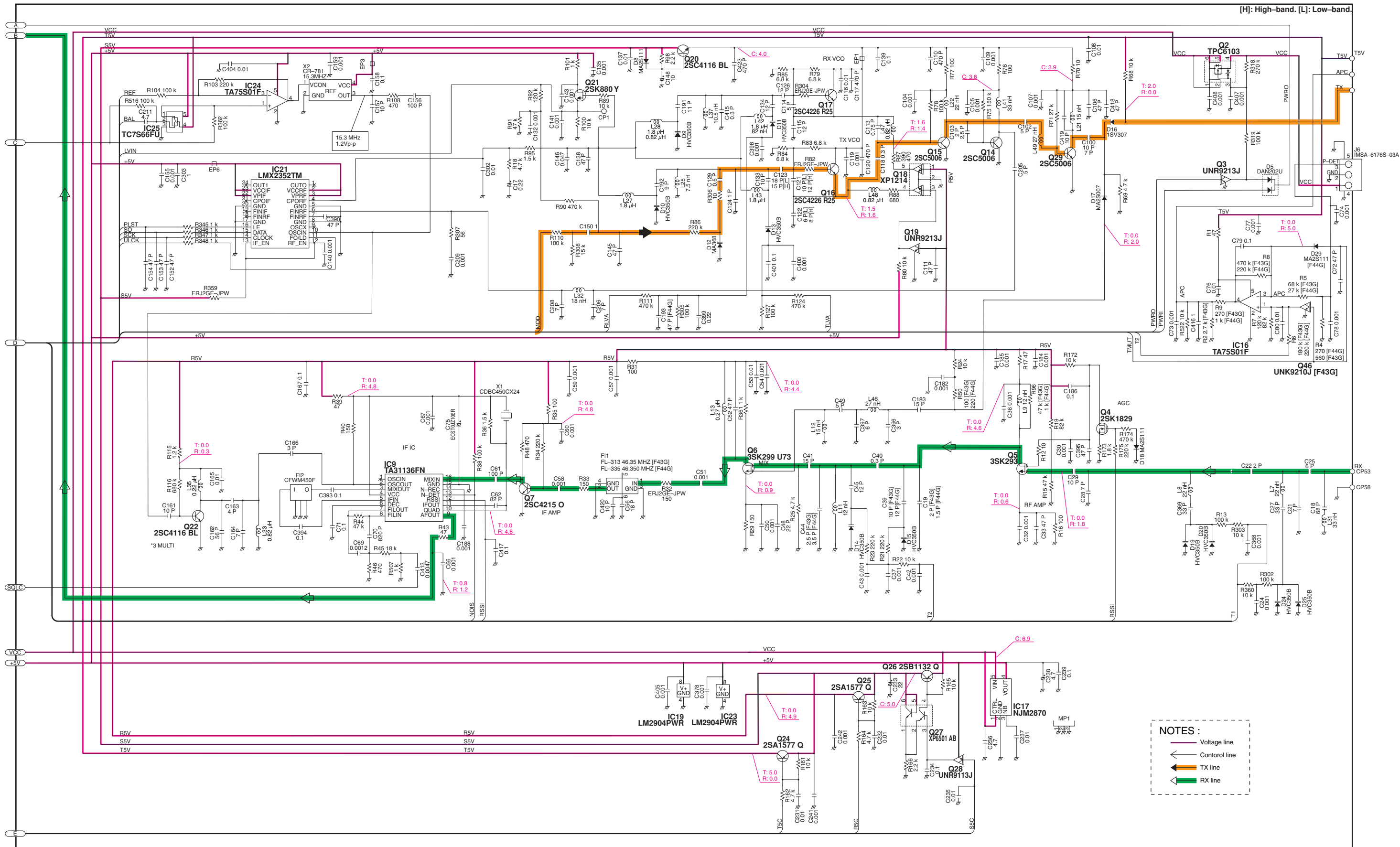
| | |
|----|---------|
| 1 | PTTIN |
| 2 | PTTOUT |
| 3 | MICOUT |
| 4 | MICIN |
| 5 | AFONOP |
| 6 | AUX |
| 7 | BEEPOUT |
| 8 | BUSY |
| 9 | RXMUTE |
| 10 | MDWN |
| 11 | DISCIN |
| 12 | SIGOUT |
| 13 | AFOUT |
| 14 | OPT1 |
| 15 | OPT2 |
| 16 | OPT3 |
| 17 | CCS |
| 18 | CIRQ |
| 19 | GND |
| 20 | SO |
| 21 | OPV3 |
| 22 | SI |
| 23 | OPV2 |
| 24 | OPV1 |
| 25 | SCK |
| 26 | |
| 27 | |
| 28 | |
| 29 | |
| 30 | |



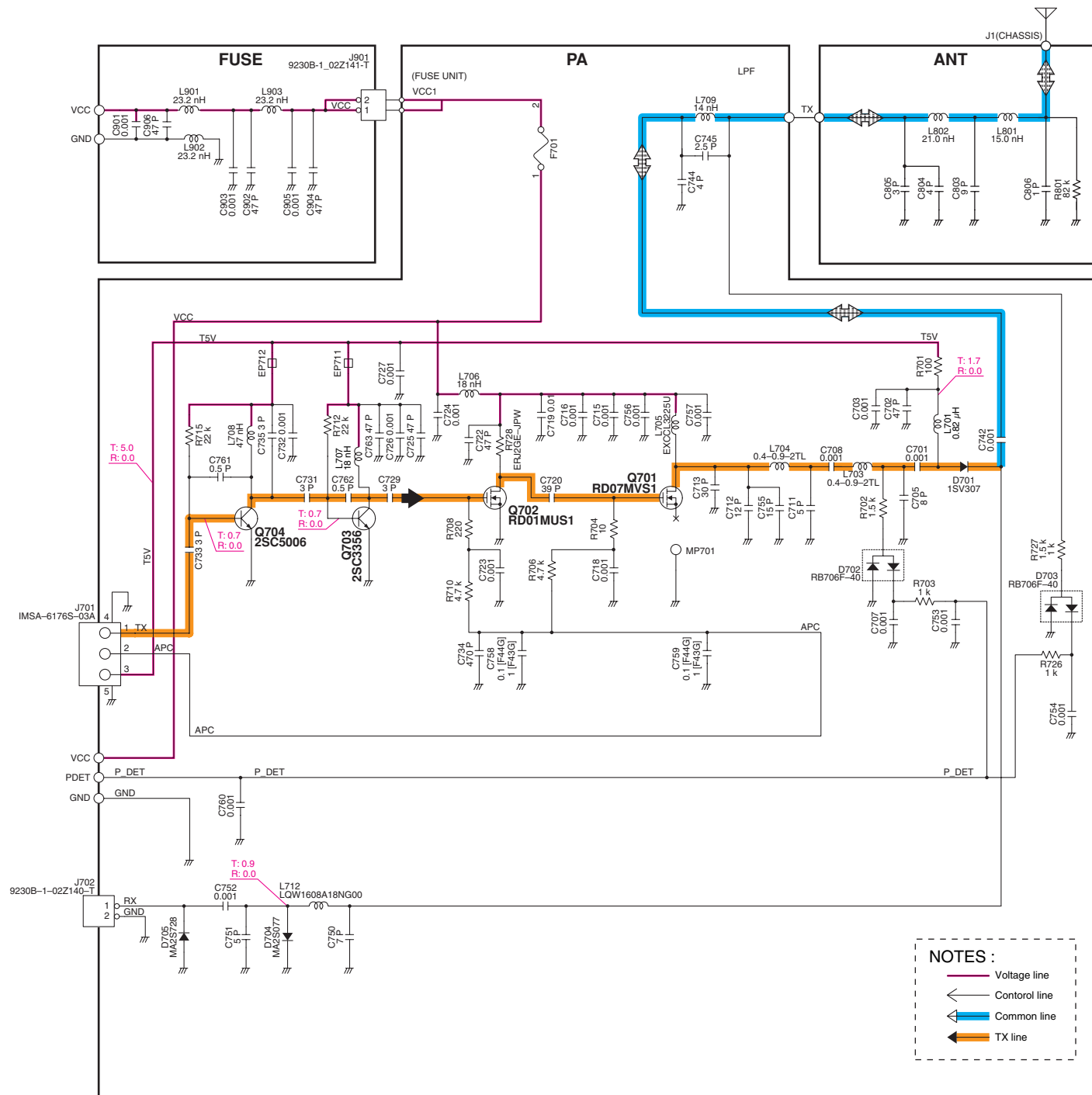


NOTES :
 — Voltage line ← TX line
 ← Control line ← RX line

*; Refer to "PARTS LIST"



*; Refer to "PARTS LIST".



SECTION 12

BC-160

[CHASSIS PARTS]

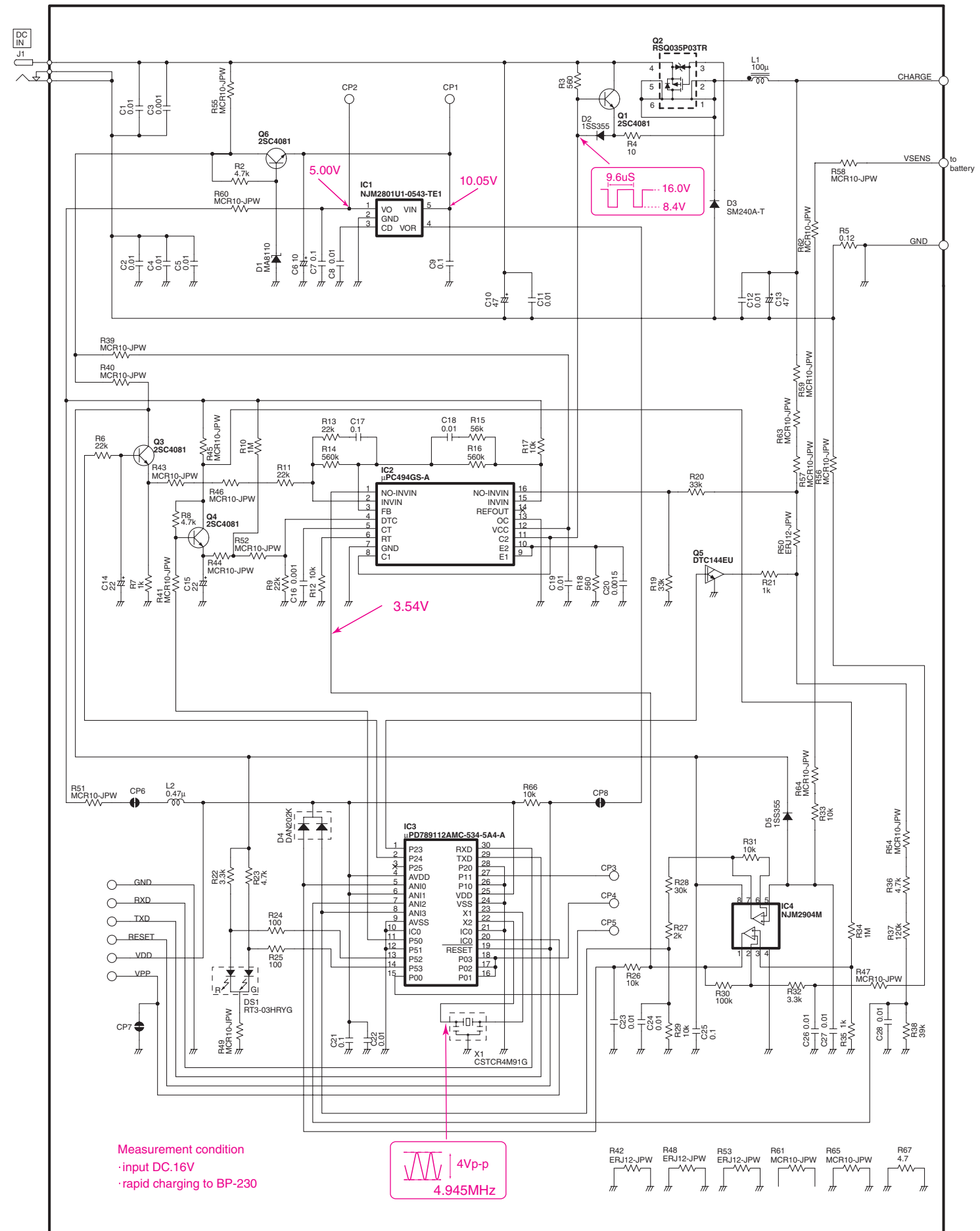
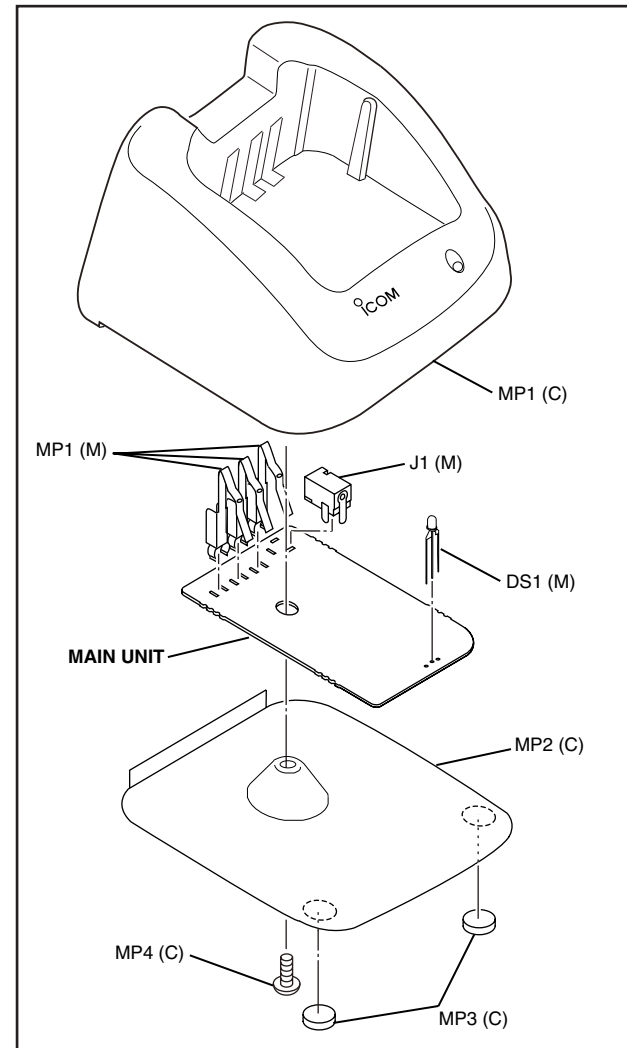
| REF. NO. | ORDER NO. | DESCRIPTION | QTY. |
|----------|------------|--------------------------|------|
| MP1 | 8010019750 | 2830 case | 1 |
| MP2 | 8110008220 | 2830 cover | 1 |
| MP3 | 8930039620 | Leg cushion (A) | 2 |
| MP4 | 8810008630 | Screw PH BT M3 x 6 NI-ZU | 1 |

[MAIN UNIT]

| REF. NO. | ORDER NO. | DESCRIPTION | QTY. |
|----------|------------|--------------------------|------|
| J1 | 6510023070 | Connector HEC2305-01-250 | 1 |
| DS1 | 5040002740 | LED RT3-03HRYG | 1 |
| MP1 | 8930064410 | 2830 TERMINAL | 3 |

[ACCESSORIES]

| REF. NO. | ORDER NO. | DESCRIPTION | QTY. |
|----------|------------------|------------------|---------|
| EP1 | Optional product | Charger BC-145E | [EUR] 1 |
| | Optional product | Charger BC-145UK | [UK] 1 |



Icom Inc.

1-1-32, Kamiminami, Hirano-ku, Osaka 547-0003, Japan
Phone : +81 (06) 6793 5302
Fax : +81 (06) 6793 0013
URL : <http://www.icom.co.jp/world/index.html>

Icom America Inc.

<Corporate Headquarters>
2380 116th Avenue N.E., Bellevue, WA 98004, U.S.A.
Phone : +1 (425) 454-8155 Fax : +1 (425) 454-1509
URL : <http://www.icomamerica.com>
E-mail : sales@icomamerica.com
<Customer Service>
Phone : +1 (425) 454-7619

Icom Canada

Glenwood Centre #150-6165
Highway 17 Delta, B.C., V4K 5B8, Canada
Phone : +1 (604) 952-4266 Fax : +1 (604) 952-0090
URL : <http://www.icomcanada.com>
E-mail : info@icomcanada.com

Icom (Australia) Pty. Ltd.

Unit 1 / 103 Garden Road, Clayton VIC 3168 Australia
Phone : +61 (03) 9549-7500 Fax : +61 (03) 9549-7505
URL : <http://www.icom.net.au>
E-mail : sales@icom.net.au

Icom New Zealand

146A Harris Road, East Tamaki,
Auckland, New Zealand
Phone : +64 (09) 274 4062 Fax : +64 (09) 274 4708
URL : <http://www.icom.co.nz>
E-mail : inquiries@icom.co.nz

Beijing Icom Ltd.

Room C01, 10th Floor, Long Silver Mansion, No. 88,
Yong Ding Road, Haidian District, Beijing, 100039, China
Phone : +86 (010) 5889 4250 Fax : +86 (010) 5889 4250
URL : <http://www.bjicom.com>
E-mail : bjicom@bjicom.com

Icom (Europe) GmbH

Communication Equipment
Himmelgeister Str. 100, D-40225 Düsseldorf, Germany
Phone : +49 (0211) 346047 Fax : +49 (0211) 333639
URL : <http://www.icomeurope.com>
E-mail : info@icomeurope.com

Icom Spain S.L

Ctra. Rubi, 88, 08190, Sant Cugat del Valles, Barcelona, SPAIN
Phone : +34 (93) 590 26 70 Fax : +34 (93) 589 04 46
URL : <http://www.icomspain.com>
E-mail : icom@icomspain.com

Icom (UK) Ltd.

Unit 9, Sea St., Herne Bay, Kent, CT6 8LD, U.K.
Phone : +44 (01227) 741741 Fax : +44 (01227) 741742
URL : <http://www.icomuk.co.uk>
E-mail : info@icomuk.co.uk

Icom France s.a.s.

Zac de la Plaine
1 Rue Brindejonec des Moulinais BP 5804
31505 Toulouse Cedex, France
Phone : +33 (5) 61 36 03 03 Fax : +33 (5) 61 36 03 00
URL : <http://www.icom-france.com>
E-mail : icom@icom-france.com

Asia Icom Inc.

6F No.68, Sec. 1 Cheng-Teh Road, Taipei, Taiwan, R.O.C.
Phone : +886 (02) 2559 1899 Fax : +886 (02) 2559 1874
URL : <http://www.asia-icom.com>
E-mail : sales@asia-icom.com

Icom Polska

Sopot, 3 Maja 54 Poland
Phone : +48 (58) 550 7135 Fax : +48 (58) 551 0484
E-mail : icompolska@icompolska.com.pl

Count on us!

Icom Inc.

1-1-32, Kamiminami, Hirano-ku, Osaka 547-0003, Japan

S-14108IZ-C1-①
© 2004-2007 Icom Inc.