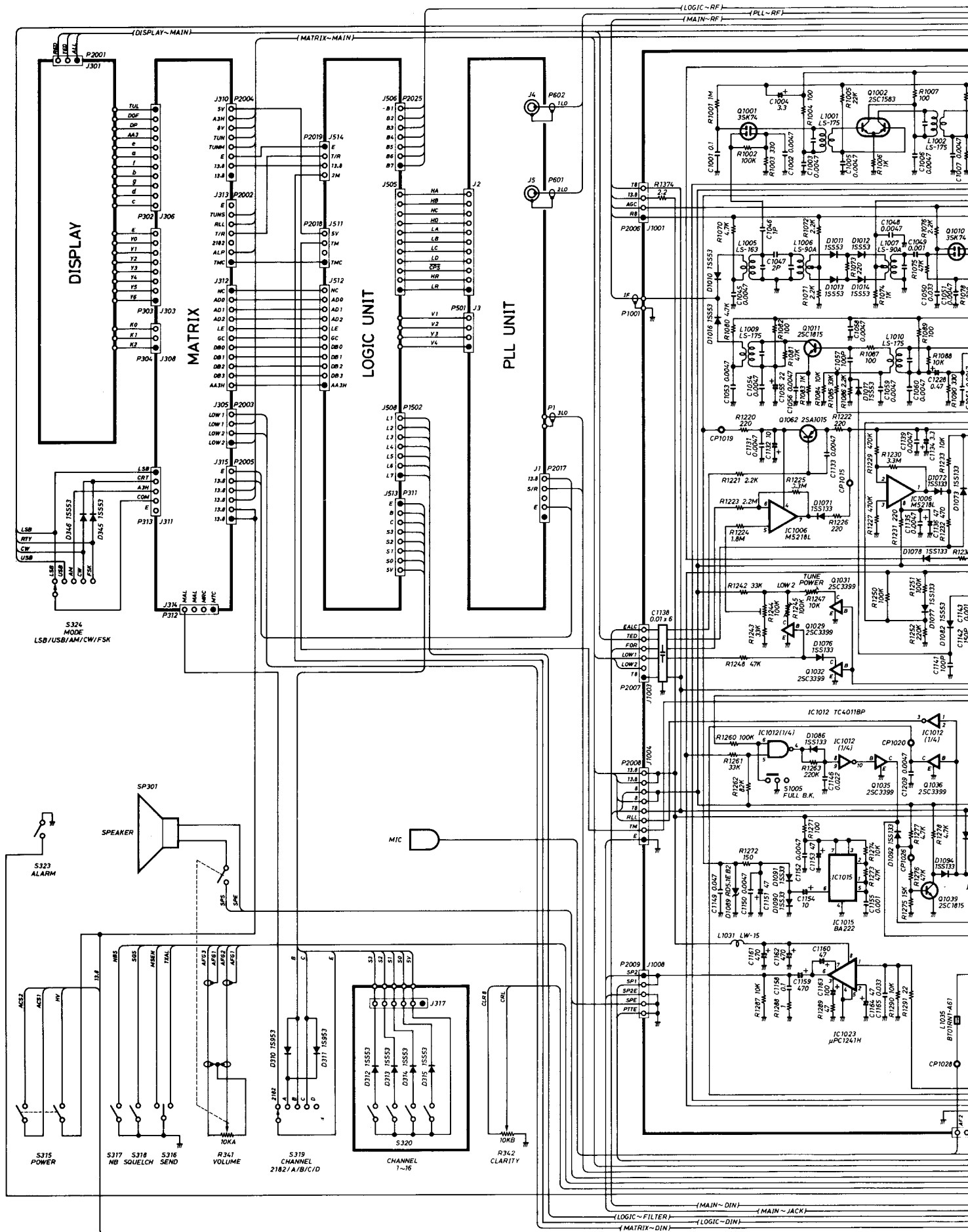
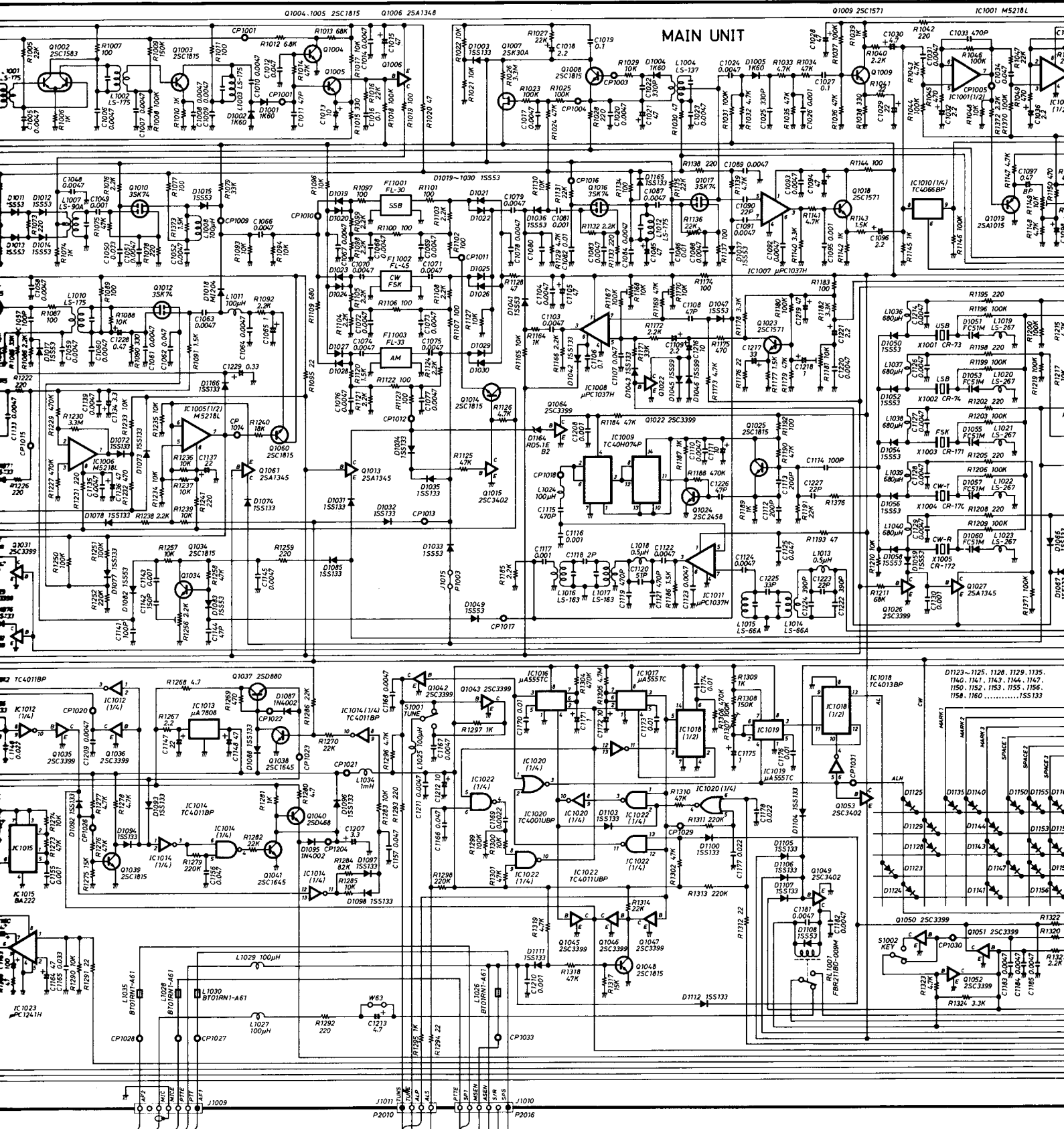
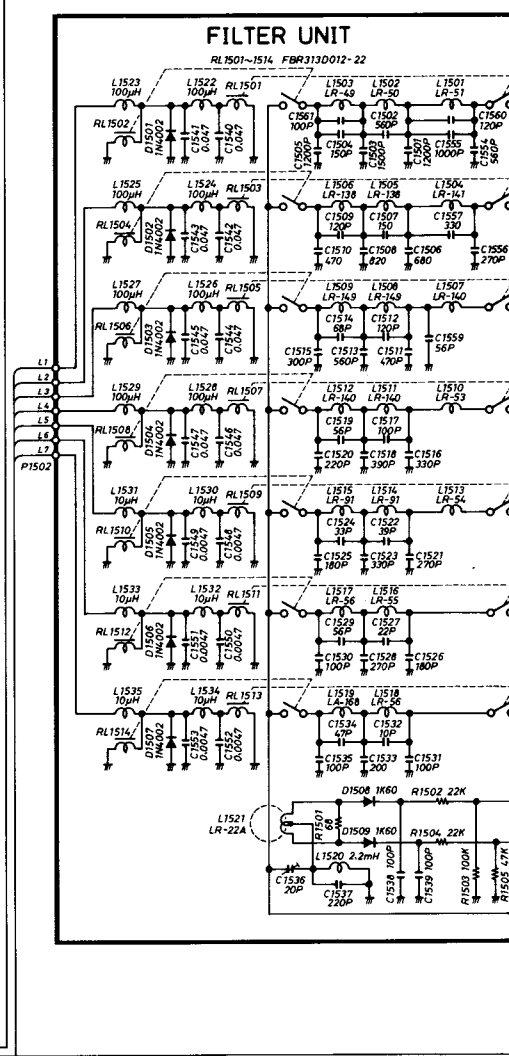
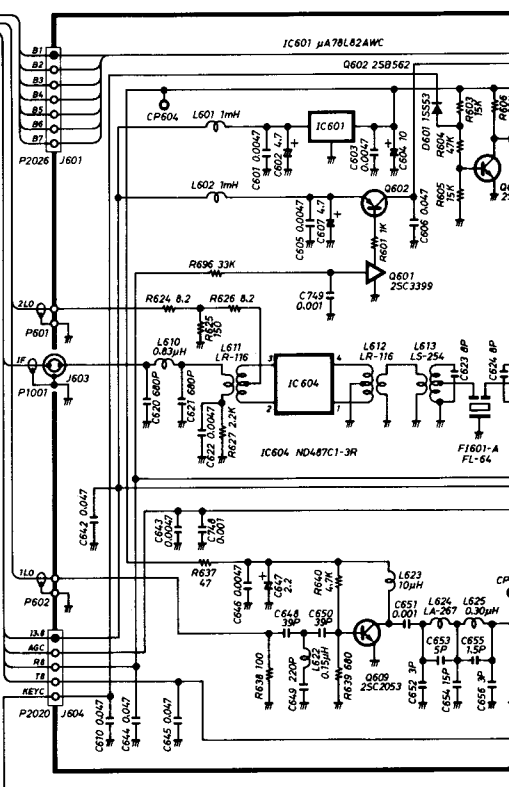
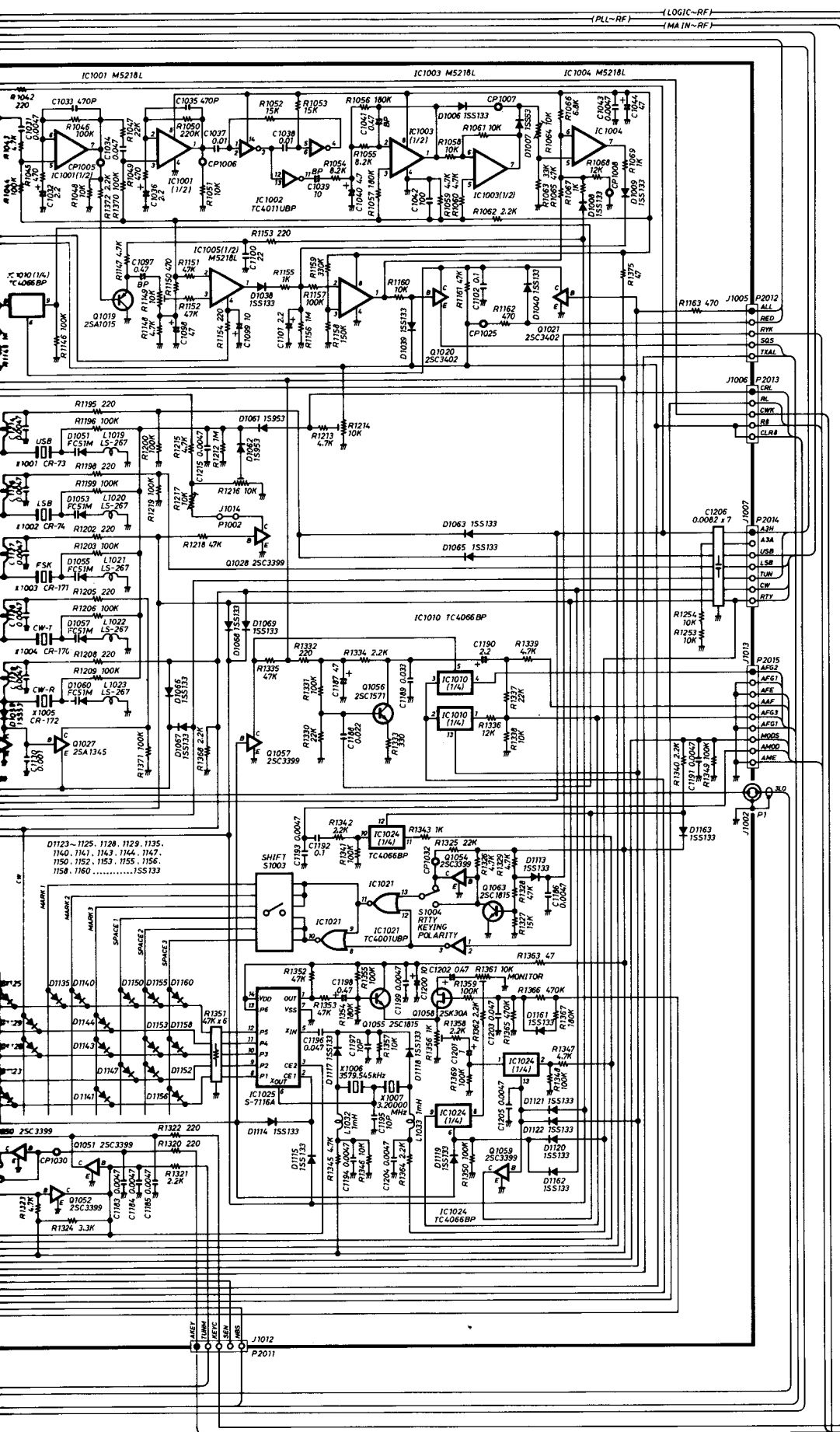


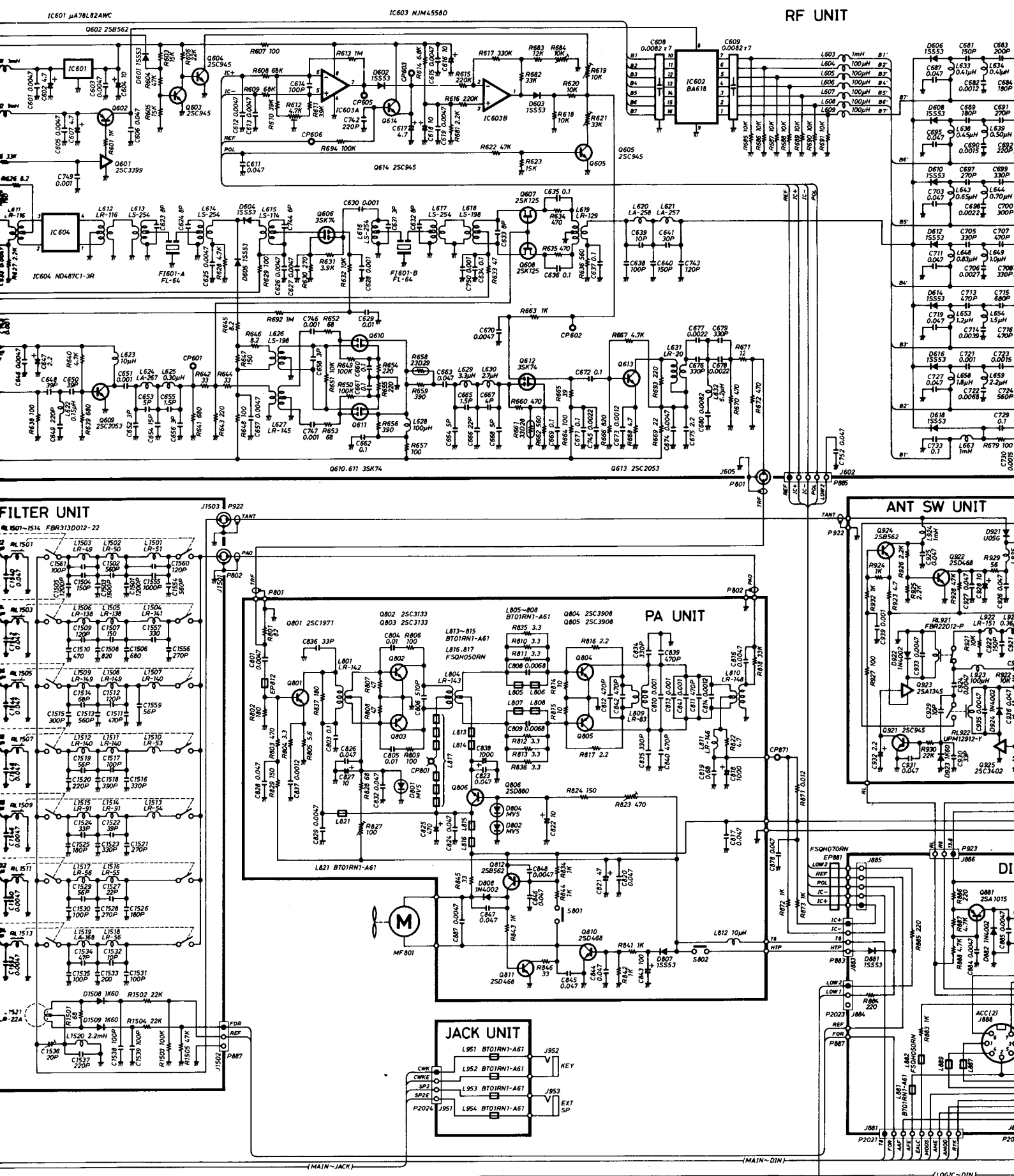
IC-M700TY SCHEMATIC DIAGRAM



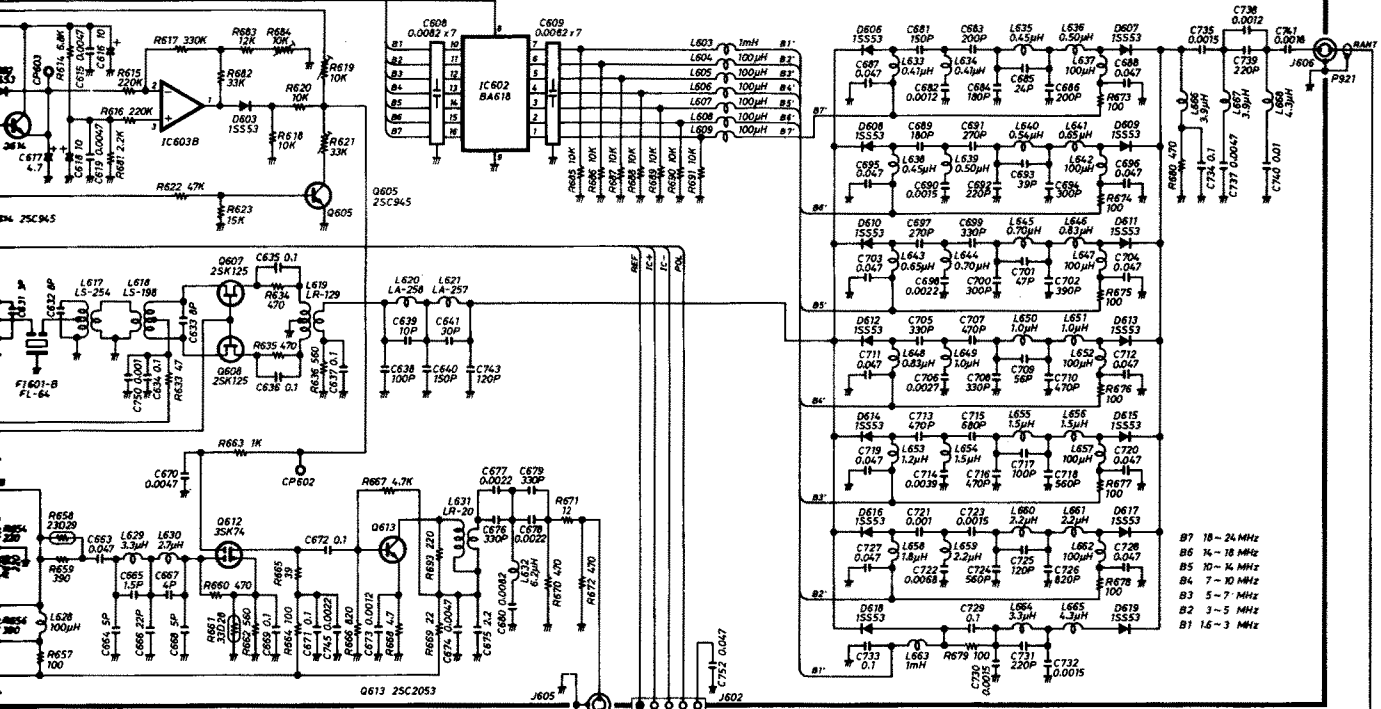
TIC DIAGRAM



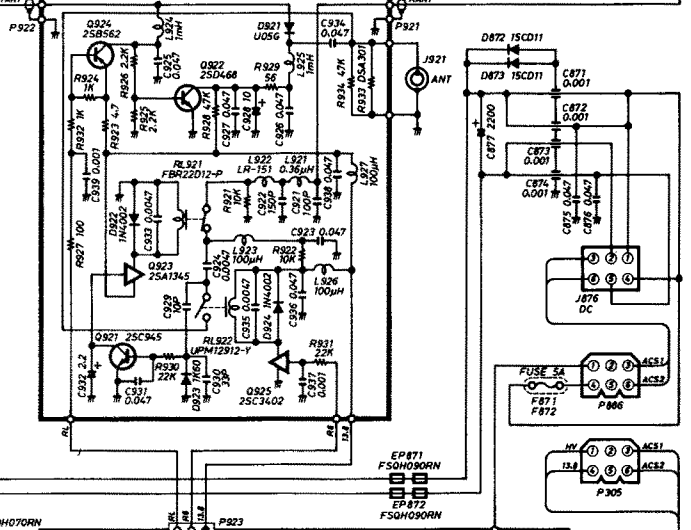




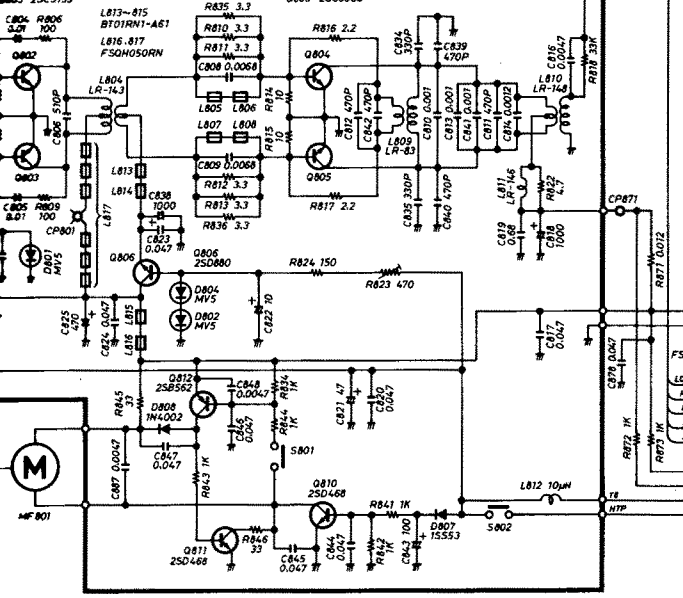
RF UNIT



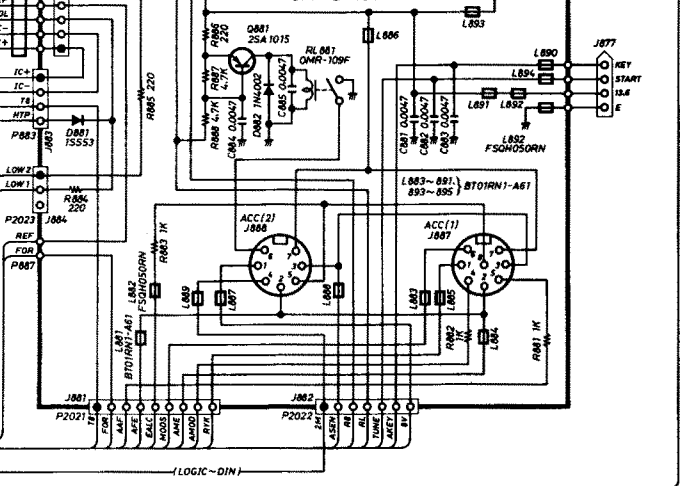
ANT SW UNIT



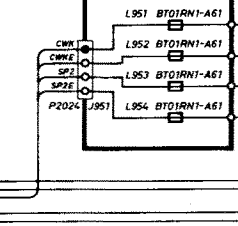
PA UNIT

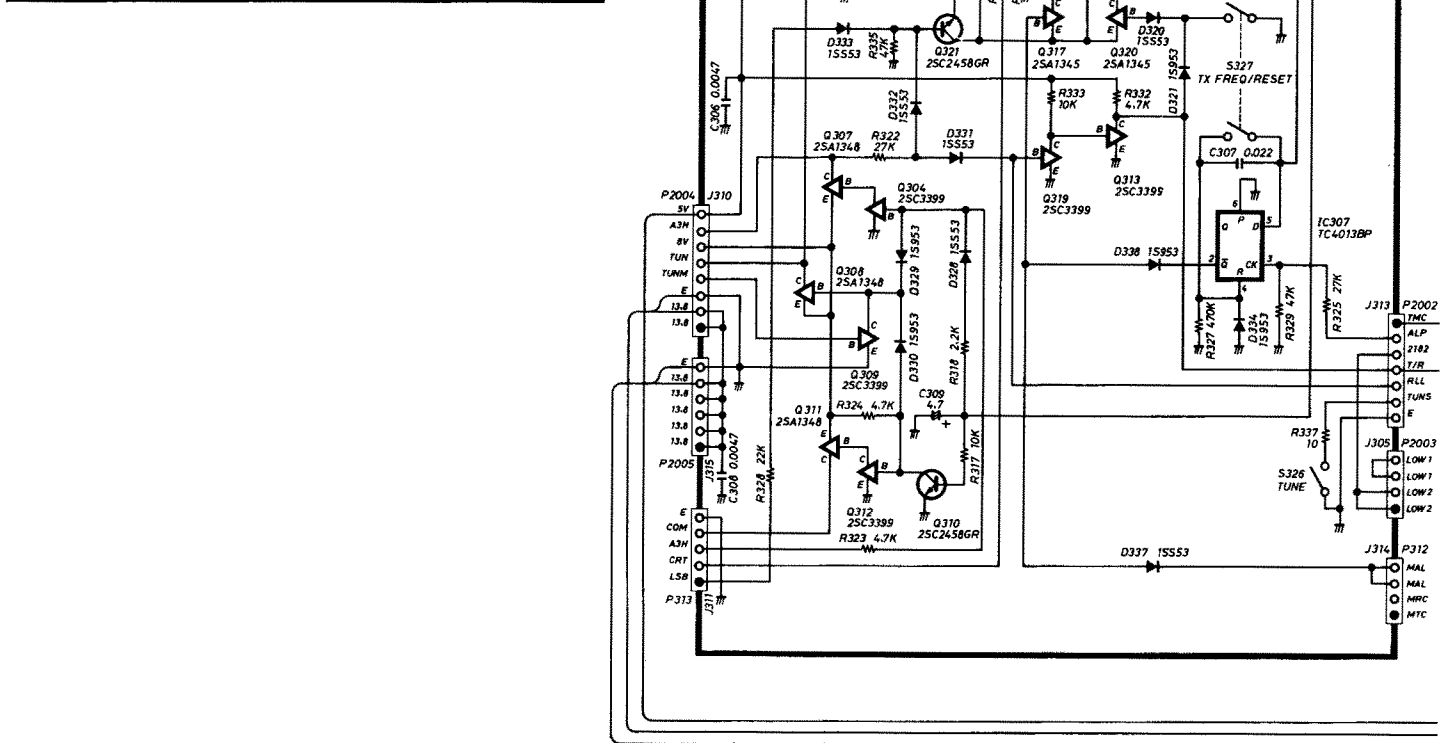
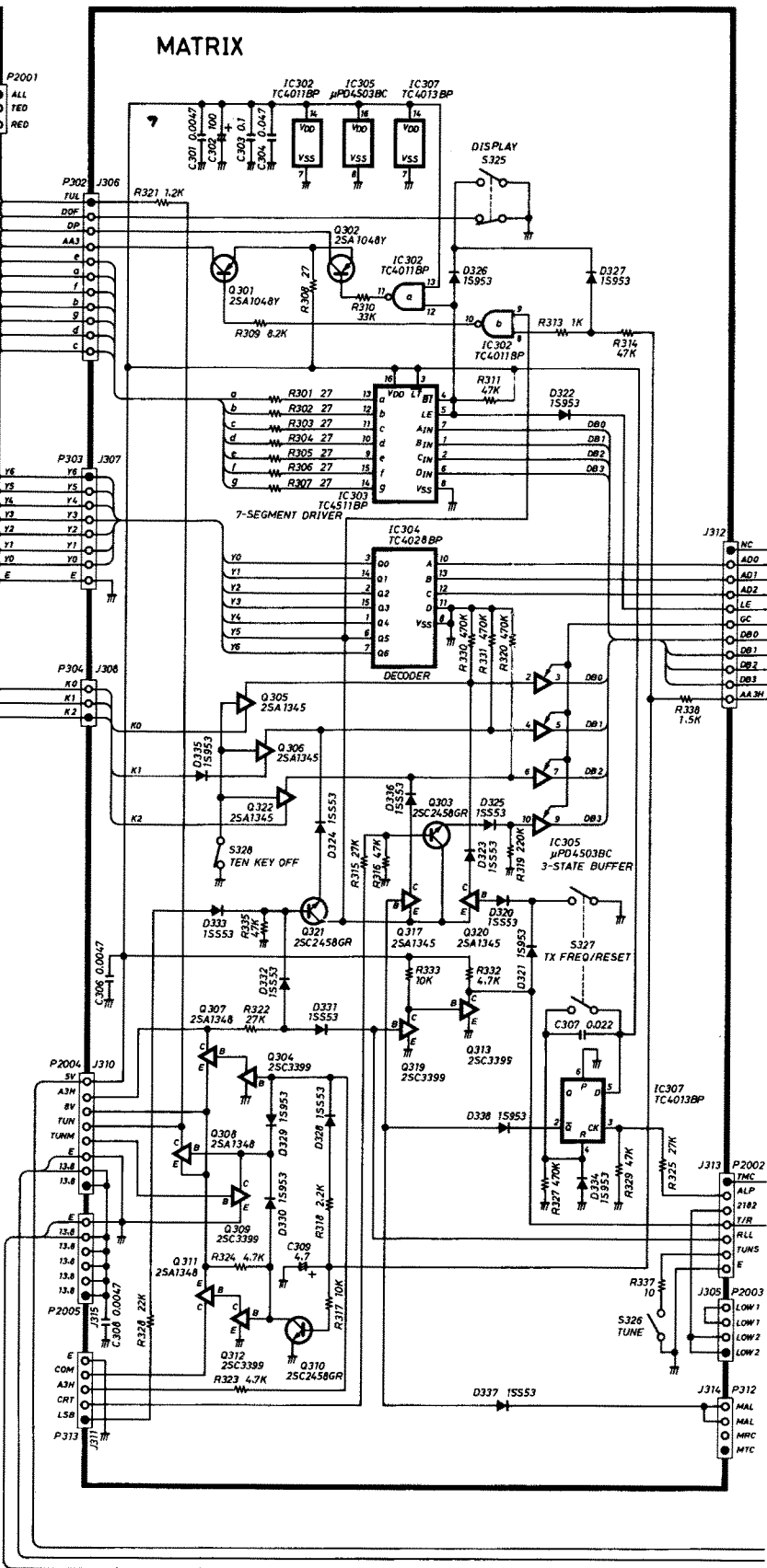
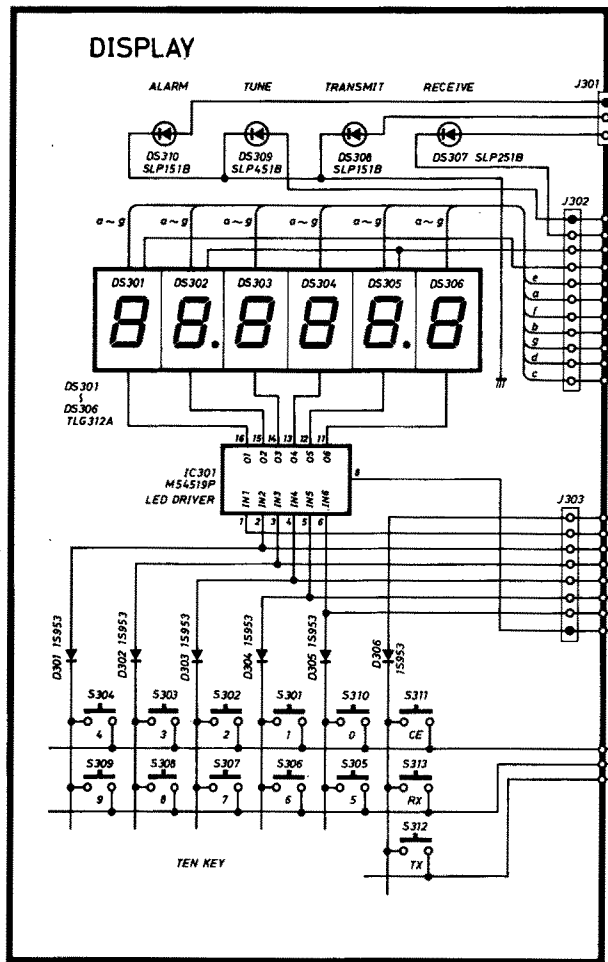


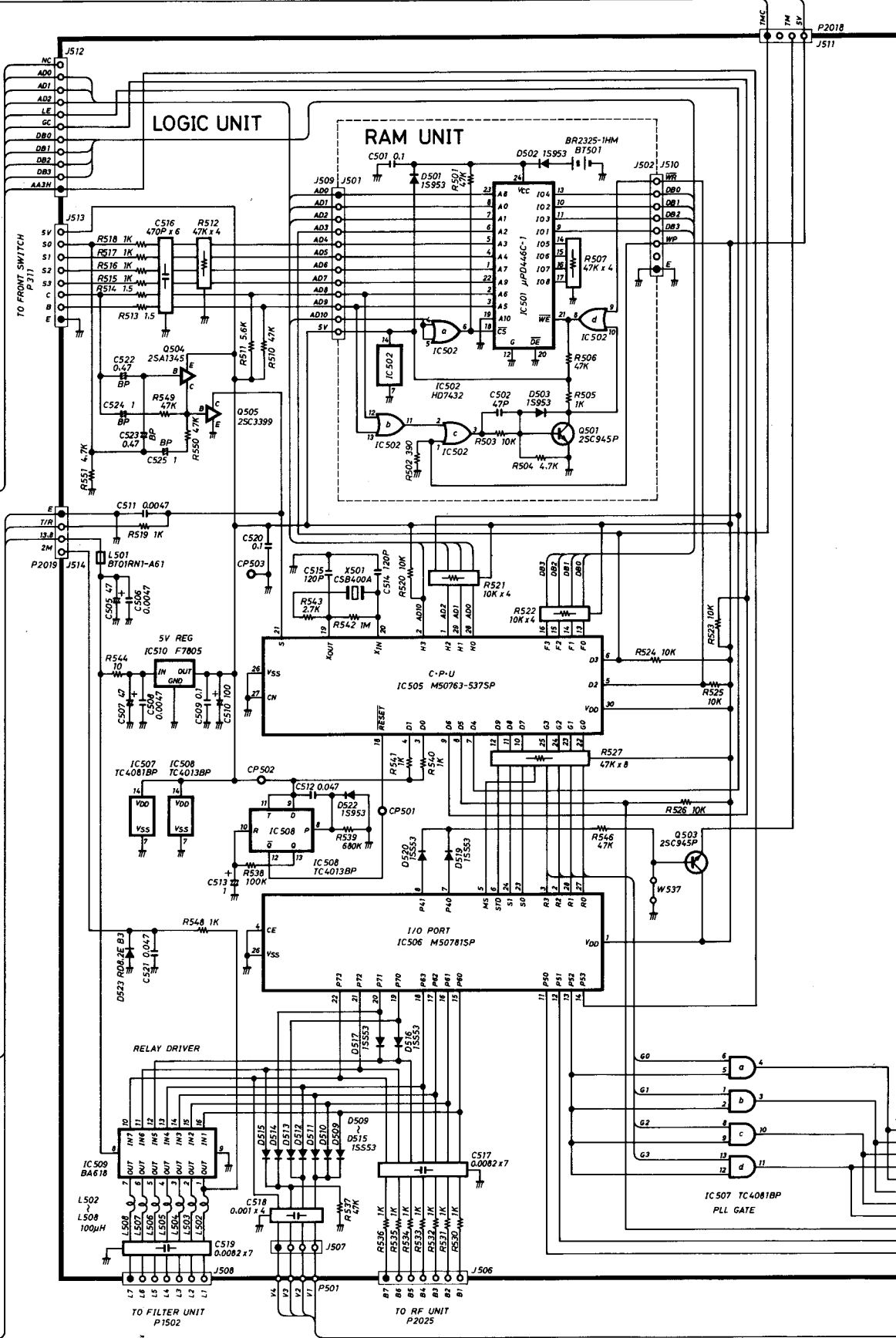
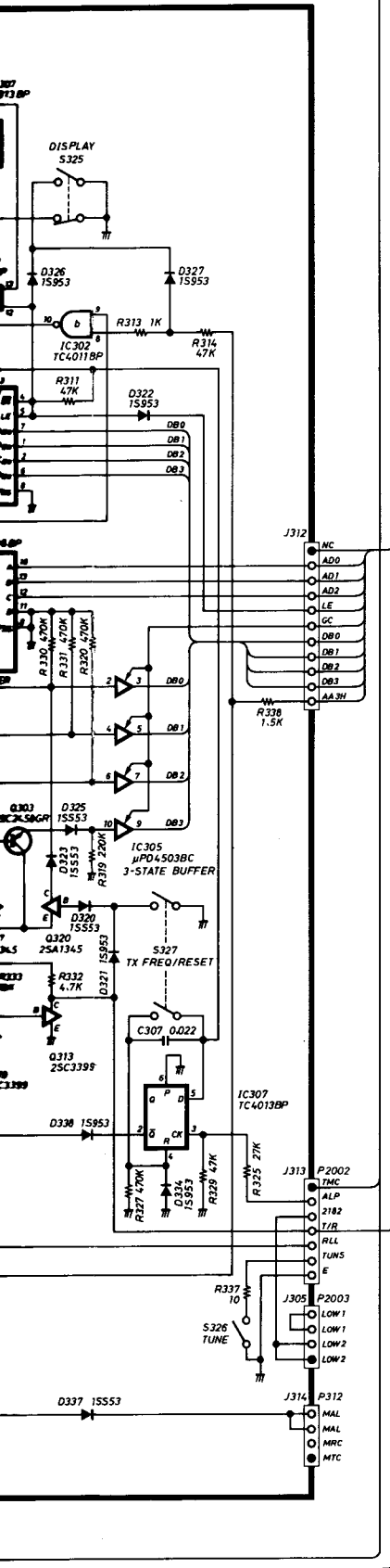
DIN UNIT



JACK UNIT







P2018
J511

LOGIC UNIT

RAM UNIT

RELAY DRIVER

TO FILTER UNIT
P1502

TO RF UNIT
P2025

IC 507 TC4081BP
PLL GATE

P2018
J511

PLL UNIT

