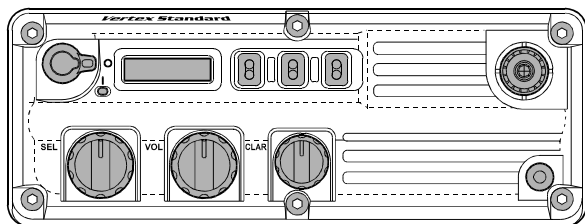




VX-1210

Operating Manual Manual de Instrucciones



VERTEX STANDARD CO., LTD.

4-8-8 Nakameguro, Meguro-Ku, Tokyo 153-8644, Japan

VERTEX STANDARD

US Headquarters

10900 Walker Street, Cypress, CA 90630, U.S.A.

YAESU UK LTD.

Unit 12, Sun Valley Business Park, Winnall Close
Winchester, Hampshire, SO23 0LB, U.K.

VERTEX STANDARD HK LTD.

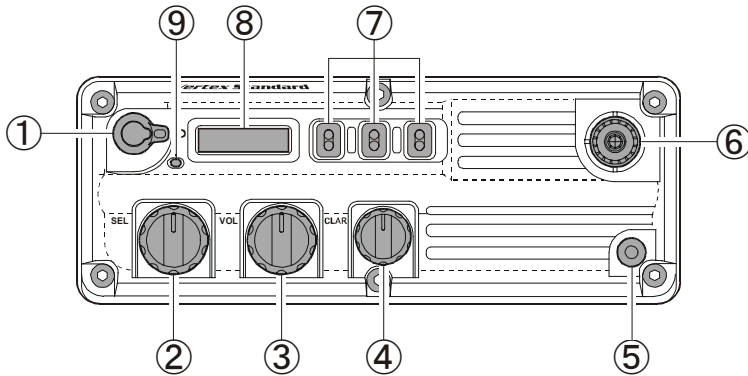
Unit 5, 20/F., Seaview Centre, 139-141 Hoi Bun Road,
Kwun Tong, Kowloon, Hong Kong

VERTEX STANDARD (AUSTRALIA) PTY., LTD.

Normanby Business Park, Unit 14/45 Normanby Road
Notting Hill 3168, Victoria, Australia

English

Front Panel Controls and Switches



① **POWER** Switch

Turn this knob clockwise to turn the radio on. Counterclockwise rotation will turn the radio off.

② **SEL** Knob

This 12-position detented rotary switch selects the memory channels, and tune the operating frequency, if your transceiver is configured for use of the VFO feature.

③ **VOL** Knob

This control adjusts the audio volume level. Clockwise rotation increases the volume level.

④ **CLAR** (“Clarifier”) Knob

This control allows you to offset the receiving frequency by up to 200 Hz in 10 Hz steps (SSB, CW, and DATA modes), or up to 400 Hz in 20 Hz steps (AM mode). This control is helpful in case the incoming signal is drifting.

⑤ **GND** Terminal

If an earth ground connection is available at the operating site, this terminal may be connected to it to provide improved performance and safety.

⑥ **ANT** Jack

This jack accepts a 50 Ω antenna. If the optional **ATU-1210** internal antenna tuner is enabled, the optional **YHA-61** whip antenna (or **FHA-27** folding whip antenna with **GN-1210** goose neck) can be connected to this jack directly. Use only a type PL-259 (type **M**) plug.

Front Panel Control and Switches

⑦ **TOGGLE** Switches

These **TOGGLE** switches can be customized, via programming by your Vertex Standard Dealer. The available features for these switches are described on page 11.

⑧ LCD (Liquid Crystal Display)

The current operating channel is displayed here.

⑨ LED Indicator

This LED indicates the current status of the transceiver.

Glowing Green: Busy Receive Channel (or Squelch off).

Glowing Yellow: Transmission in progress.

Blinking Yellow: Antenna mismatching problem (High SWR condition).

Blinking Red: Battery voltage is nearing depletion. Prepare to replace the battery.

Glowing Red: Battery voltage is critically low. Replace the battery immediately.

MH-50B7A Switches

① PTT Switch

Press this switch to transmit, and release it to receive.

② Dummy Switch

This switch is not activated in this transceiver.

③ EAR Jack

You may connect an Earphone to this jack, for improved listening under noisy conditions. Earphone operation requires that the **MH-50B7A**'s loudspeaker be enabled via programming by your Vertex Standard dealer.

When a plug is installed into this jack, the **MH-50B7A**'s internal loudspeaker will be disabled.

Note: The protective rubber cover over the jack must be pulled up to access the jack. Press it back over the jack when does not in use, to protect the inside of the microphone from dust and water.

④ Speaker

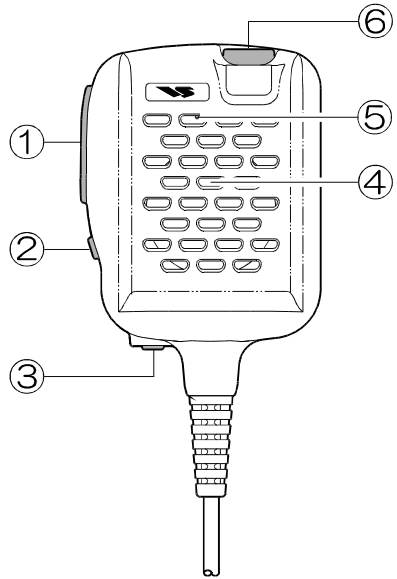
The loudspeaker for the **MH-50B7A** is located here.

⑤ Microphone

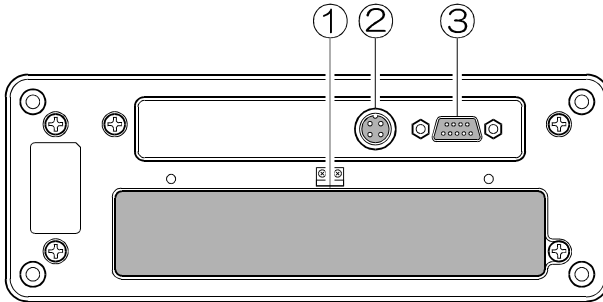
Speak across this opening in a normal voice level while pressing the **PTT** switch.

⑥ Speaker Volume Button

Press this switch to reduce the output level from the **MH-50B7A**'s loudspeaker, if the **MH-50B7A**'s loudspeaker has been enabled (via programming by your Vertex Standard dealer).



Rear Panel Connectors



① Battery Compartment

This compartment houses allows installation of the **FNB-66LI** Lithium-Ion Battery Pack.

② CHG Jack

This 4-pin jack allows connection to the optional **CD-17** Charger.

③ AUX Jack (Option)

This optional 9-pin DB-9 jack provides AFSK input/output and CW keying to allow easy interfacing to data communications modem devices.


Note: The protective cover over the **CHG** jack and **AUX** jacks must be removed to access the jacks. Replace it back over the jacks when they are not in use, to protect the inside of the transceiver from dust and water.

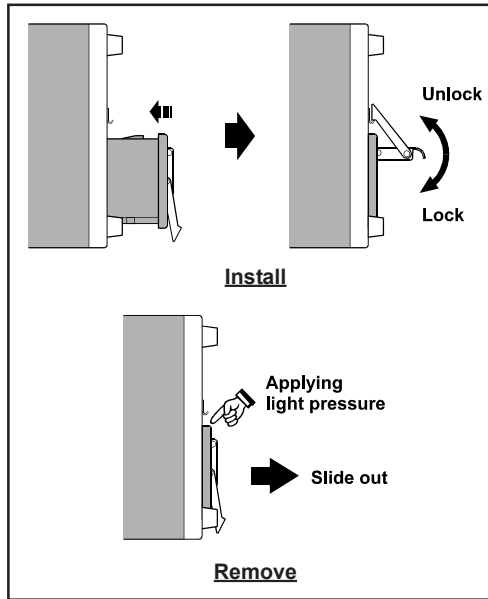
Operation

BEFORE YOU BEGIN

BATTERY PACK INSTALLATION AND REMOVAL

- ❑ To install the Battery Pack, insert the Battery Pack into the battery compartment on the bottom of the radio, then secure the Battery Pack using the Latch Clip on the Battery Pack.
- ❑ To remove the Battery Pack, turn the radio off and remove any protective cases, then unlatch the clip from the Battery Pack. Place your thumbs on the edge of the Battery pack, then slide out the Battery Pack from the radio while applying light pressure onto it.

 ***Do not attempt to open the Rechargeable Battery Pack, as personal injury or damage to the pack could occur if a cell or cells become accidentally short-circuited.***



BEFORE YOU BEGIN

BATTERY CHARGING

It is necessary to charge the Battery Pack fully before its first use.

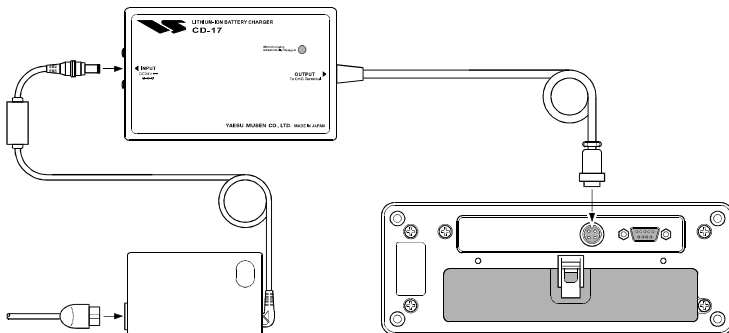
1. Install the Battery Pack into the transceiver. Ensure that the transceiver is switched off.
2. Connect the cable plug from the **PA-26** AC Adapter into the **INPUT** jack on the **CD-17** Charger, then insert the cable plug from the **CD-17** Charger into the **CHG** terminal on the bottom of the transceiver.
3. Connect the AC cable into the **AC** jack on the **PA-26** AC Adapter, then plug the **PA-26** AC Adapter into the AC line outlet.
4. The LED indicator on the **CD-17** Charger will glow red (Charging) while the battery is being charged. When charging is completed, the red LED indicator will change to green (Fully Charged). A fully-discharged pack will be charged completely in about five hours.
5. Unplug the cable from the **CHG** terminal, then disconnect the **PA-26** AC Adapter from the AC line outlet.



Do not connect an improper Charger into the **CHG** terminal.

Do not forget to replace the protective cover.

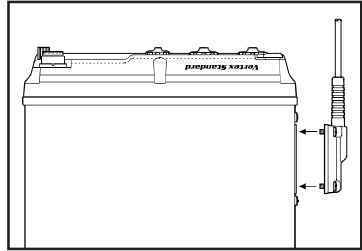
- In rare instances, the **CD-17** LED indicator may glow Green (apparently indicating “Fully Charged”) immediately when you charge a fully-discharged pack. If this should happen, unplug the cable from the **CHG** terminal, wait a few seconds, then re-insert the cable plug into the **CHG** terminal. Normal charging should then begin.



Operation

PRELIMINARY STEPS

1. Install a charged Battery Pack onto the transceiver, as described previously.
2. Connect the **MH-50B7A** Speaker/Microphone onto the transceiver; align the connector of the **MH-50B7A** to the connector on the left side of the transceiver body, then secure the connector using the screws supplied with the **MH-50B7A** Speaker/Microphone.



3. If you use this transceiver with the optional **YA-30** antenna kit, set up the **YA-30** antenna first, then connect the coaxial plug from the **YA-30** to the **ANT** jack of the transceiver.
×: When using the **YA-30** dipole antenna, the built-in antenna tuner is not used.
4. If you use this transceiver with the optional whip antenna (**YHA-61** or **FHA-27w/GN-1210**), connect the whip antenna onto the **ANT** jack of the transceiver, then connect a good earth ground onto the **GND** terminal of the transceiver using heavy braided cable.

Note: The **VX-1210** can be used either with a Dipole Antenna (like the **YA-30**), or the whip antenna (like the **YHA-61**), depending on the programming of the transceiver by your Vertex Standard dealer. For further details, contact your Vertex Standard dealer.

WHIP ANTENNA SETUP[※]

1. Connect the whip antenna (**YHA-61** or **FHA-27w/GN-1210**) and earth ground to the transceiver, as described previously.
2. Press and hold in the **SEL** knob; while holding it in, turn the transceiver on by rotating the **POWER** switch clockwise. “**TU ADJ**” will appear in the display for three seconds, then the display will return to indication of the channel. Once the radio turns on, release the **SEL** knob. The built-in antenna tuner is now engaged.
3. Now, press and hold in the **SEL** knob for 1/2 second to initiate antenna tuning.
4. Repeat step 3 on all operating channels.
5. Turn the transceiver off to save the new settings.

You may set up the whip antenna using the **TOGGLE** switch, if your transceiver’s **TOGGLE** switch has been assigned to the Antenna Tuning feature. See page 11 for details regarding Antenna Tuning.

※: Requires Optional **ATU-1210** Built-in Antenna Tuner and **YHA-61** Whip Antenna or **FHA-27** Folding Whip Antenna w/**GN-1210** Goose Neck.

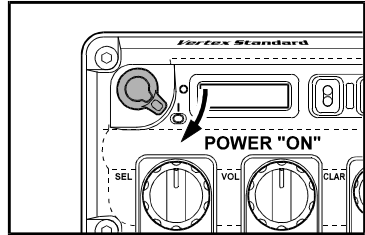
Important Note!

- If you use the **VX-1210** with the optional whip antenna (**YHA-61** or **FHA-27 w/GN-1210**), ***MUST BE*** connect a good earth ground onto the **GND** terminal of the **VX-1210** using heavy braided cable to prevent electrical shock and proper performance.
- The optional whip antenna **YHA-61** is for use only short distance communications. We recommend that using with the optional whip antenna **FHA-27 w/GN-1210**, optional dipole antenna **YA-30** or other antenna which having the antenna gain, if you wish to communicate with the faraway station.

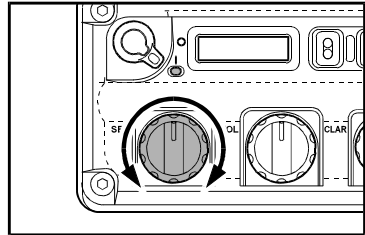
Operation

OPERATION QUICK START

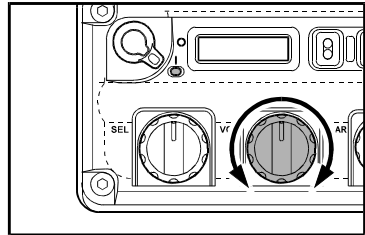
1. Turn the transceiver on by rotating the **POWER** switch clockwise.



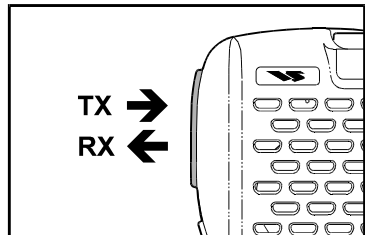
2. Rotate the **SEL** knob to select the desired Memory Channel.



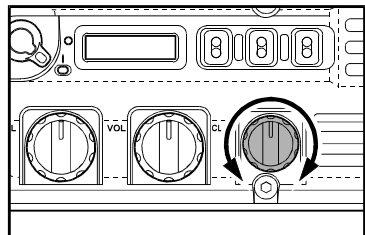
3. Rotate the **VOL** knob to set a comfortable volume level.



4. To transmit, press and hold in the microphone's **PTT** switch, and speak into the microphone in a normal voice level. To return to the receive mode, release the **PTT** switch.



5. If the frequency of the station you are receiving should start to drift, rotate the **CLAR** knob to follow the drifting signal; this does *not* cause your radio's transmitting frequency to move.



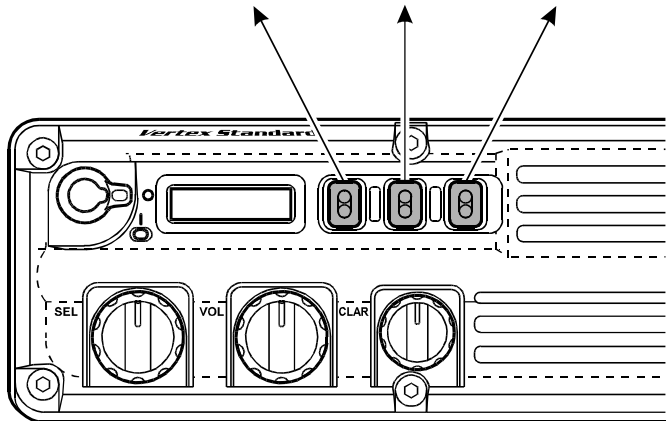
Advanced Operation

TOGGLE SWITCH FUNCTIONS

The **VX-1210's TOGGLE** switch functions can be customized, via programming by the dealer. Some features may require the purchase and installation of optional internal accessories. The possible **TOGGLE** switch programming features are illustrated at the bottom, and their functions are explained on the next page. For further details, contact your Vertex Standard dealer.

For future reference, check the box next to each function that has been assigned to the toggle switch on your particular radio, and keep it handy.

Functions	A Switch	B Switch	C Switch
SELCALL Function	N/A		
High/Low Power Select		N/A	N/A
Noise Blanker on/off		N/A	N/A
Antenna Tuner on/off		N/A	N/A
Antenna Tuning	N/A		
Encryption on/off		N/A	N/A
LAMP on/off			
Display Select (Tag/Frequency)		N/A	N/A
HAIL on/off	N/A		
VFO/Memory Select	N/A		
TELCALL Function	N/A		
Squelch on/off		N/A	N/A
Speaker Select		N/A	N/A
None			



Advanced Operation

DESCRIPTION OF TOGGLE SWITCH FUNCTIONS

SELCALL Function [J3E (LSB/USB) MODE ONLY]

Enables/disables the (optional) Selcall Unit which allow paging and selective calling, if installed. Details for the SELCALL feature are described on page 15.

High/Low Power

Selects the transmitter power output level between “High” or “Low.”

You will get much longer battery life by switching to Low power operation.

Noise Blanker on/off

Enables/disables the IF Noise Blanker. When the Noise Blanker is activated, it will reduce many different types of manmade impulse noise (but not atmospherics).

Tuner on/off

Enables/disables the Automatic Antenna Tuner.

Antenna Tuning

Press and hold the assigned **TOGGLE** switch into the “ON” position for 1/2 second to initiate antenna tuning. The “**WAIT**” indicator will appear on the display during tuning, and will disappear when a match has been achieved.

If the tuning is successful, the “**TUNE OK**” indication will appear on the display, and the radio will emit a “beep.”

Encryption on/off

Enables/disables the (optional) voice encryption unit.

When the voice encryption unit is enabled, the clarifier is disabled.

Remember that disabling the encryption will mean that your transmission are no longer secure. Return to the encrypted mode as soon as possible, and do not discuss any critical or confidential information while in the non-encrypted mode of operation.

Advanced Operation

DESCRIPTION OF TOGGLE SWITCH FUNCTIONS

LAMP on/off

This feature operates differently, depending on the switch type assigned to this function.

Toggle Switch Type (Switch “A”)

Move the assigned **TOGGLE** switch into the “ON” position to illuminate the LCD lamp continuously. To disable the LCD lamp, return the assigned **TOGGLE** switch to the “OFF” position.

Momentary Switch Type (Switch “B” or “C”)

Press this switch momentarily, (I) to illuminate the LCD lamp for three seconds, after which the lamp will automatically shut off, or (II) to illuminate the LCD lamp until you press this switch once more (no time limit). These functions are determined via programming by your Vertex Standard Dealer.

LCD Display (Tag/Frequency)

Selects the channel frequency display format between (I) the channel’s frequency, or (II) the channel’s Alpha/Numeric label (name).

HAIL Function

Turn on the assigned **TOGGLE** switch to activate the “HAIL” feature which emits a loud “Alarm” sound. Use this feature if you want a quick way of alerting other group members as to a dangerous situation.

VFO/MR Select

Selects the frequency control technique between (I) the “VFO” or (II) the “Memory System.”

- Press the assigned **TOGGLE** switch momentarily to toggle frequency control between the VFO and Memory Systems.
- Press and hold the assigned **TOGGLE** switch in the “ON” position for 1/2 second to copy the memory channel data to the VFO. You may then rotate the **SEL** knob to tune the frequency manually.

Generally, the **SEL** knob tunes the VFO frequency in 100 Hz steps when you are operating in the VFO mode. If you wish to tune more quickly, using larger tuning steps, press the **SEL** knob downward momentarily, then rotate the **SEL** knob. This allows you to tune the VFO frequency in 5 kHz steps. When the transceiver is in this “fast” tuning step mode, the “F” character will appear on the left side of the display.

Pressing the **SEL** knob downward again causes the transceiver to return to its regular tuning steps (100 Hz per step).

Advanced Operation

DESCRIPTION OF TOGGLE SWITCH FUNCTIONS

TELCALL Function [J3E (LSB/USB) MODE ONLY]

Enables/disables the TELCALL Function (dialing for Autopatch,) if the optional SELCALL Unit is installed. Details for the TELCALL function are described on page 16.

Squelch on/off

Turn the assigned **TOGGLE** switch to the “upper” position to keep the receiver quiet until a signal is received. Turn the assigned **TOGGLE** switch to the “lower” position to “open” the RF squelch manually, allowing you to listen for very weak signals.

To Adjust the Squelch threshold level:

1. Rotate the **SEL** knob to select a clear channel (where no signals are present).
2. Turn the **TOGGLE** switch (assigned to the “Squelch on/off” feature) to the “upper” position.
3. Press and hold in the **SEL** knob for 5 seconds to enable modification of the squelch threshold level.
4. Rotate the **SEL** knob to the point where the background noise just disappears; this is point of maximum sensitivity to weak signals.
5. Press the **SEL** knob momentarily to save the new setting and exit to normal operation.

Speaker Select

Switches the audio output between the internal speaker or the optional **MH-50B7A** Speaker/Microphone.

SELCALL OPERATION [J3E (LSB/USB) MODE ONLY]

The **VX-1210** SELCALL feature allow paging and selective calling using 4-digit codes transmitted as an FSK format. Your receiver remains silent until it receives 4-digit codes that match those stored in a dedicated code memory.

When the SELCALL feature is activated, the clarifier is disabled.

Receiving a SELCALL

When a SELCALL is decoded, an alert ringer sounds for 30 seconds, and appear the ID code of the calling stations (such as “ID1234”) will appear in the display. If a private SELCALL is detected, the **VX-1210** send the answer back signal to the calling station automatically before the alert ringer sounds.

Unless you respond, the alert beeper will be heard every three seconds, and the “[**CALL RECEIVED**] *plus* the [calling station’s ID Code]” will appear in the display until you do respond.

Sending a SELCALL

1. Press the **TOGGLE** switch (assigned to the “SELCALL” feature) momentarily to enable selection of the code memory.
2. Rotate the **SEL** knob to select (display) the code memory of the station you want to SELCALL.
3. Press and hold in the **TOGGLE** switch (assigned to the “SELCALL” feature) for 1/2 second to send the SELCALL.

Manual Sending

If your **VX-1210** has not been programmed with the 4-digit codes for the “SELCALL” feature into the code memory, you can pre-program and send the 4-digit code manually as a temporary measure.

Here is the SELCALL manual sending procedure:

1. Press the **TOGGLE** switch (assigned to the “SELCALL” feature) momentarily.
2. Rotate the **SEL** knob to select (display) “**AUX xxxx**.”
3. Press and hold in the **SEL** knob for 1/2 second, then rotate the **SEL** knob to select the first number of the 4-digit code you want to send.
4. Press the **SEL** knob momentarily to step to the next digit’s place. Use the **SEL** knob again to select a number and to step to the next entry.
5. After entering all four numbers you want to send, press and hold in the **SEL** knob for 1/2 second to save the 4 digits into the code memory temporarily.
6. Press and hold in the **TOGGLE** switch (assigned to the “SELCALL” feature) for 1/2 second to send the SELCALL.

Advanced Operation

TELCALL OPERATION [J3E (LSB/USB) MODE ONLY]

The **VX-1210** allows easy “TELCALL” Operation for Autopatch dialing.

When the “TELCALL” feature is activated, the clarifier is disabled.

Sending a TELCALL

1. Press the **TOGGLE** switch (assigned to the “SELCALL” feature) momentarily to enable selection of the code memory.
2. Rotate the **SEL** knob to select (display) the code memory of the station you want to SELCALL.
3. Press the **TOGGLE** switch (assigned to the “TELCALL” feature) momentarily to enable to TELCALL feature.
4. Rotate the **SEL** knob to select the Autopatch memory string you wish to send.
5. Press and hold in the **TOGGLE** switch (assigned to the “TELCALL” feature) for 1/2 second to send the TELCALL (corresponding to a telephone number).
6. When the communication is finished, press and hold in the **TOGGLE** switch (assigned to the “TELCALL” feature) for 1/2 second, while holding in the **PTT** switch to send the “Hang-up” signal.

Manual Sending

If your **VX-1210** has not had the telephone number stored into the Autopatch memory, you can pre-program and send the telephone number temporarily.

Here is the manual sending procedure:

1. Call the station that is connected to the telephone system via the SELCALL feature first, as described previously.
2. Press the **TOGGLE** switch (assigned to the “TELCALL” feature) momentarily.
3. Rotate the **SEL** knob to select (display) “**AUX xxxx.**”
4. Press and hold in the **SEL** knob for 1/2 second, then rotate the **SEL** knob to select the first digit of the telephone number you want to send.
5. Press the **SEL** knob momentarily to step to the next digit’s place. Use the **SEL** knob again to select a number and to step to the next entry.
6. After entering all digits of the telephone number you want to send, press and hold in the **SEL** knob for 1/2 second to save the telephone number into the Autopatch memory temporarily.
7. Press and hold in the **TOGGLE** switch (assigned to the “TELCALL” feature) for 1/2 second to send a TELCALL (corresponding to the telephone number).

Specifications

General

Frequency Range:	RX: 0.5 ~ 30 MHz, TX: 1.6 ~ 30 MHz
Emission Modes:	A1A (CW), J3E (LSB/USB), H3E (AM), F1B (AFSK)
Synthesizer Steps:	10 Hz
Antenna Impedance:	50 Ω , Unbalanced
Operating Temperature Range:	-22° F to +140° F (-30° C to +60° C)
Frequency Stability:	± 1 ppm
Power Requirements:	DC 14.4V Lithium-ion Battery
Current Consumption:	Receive (Saver off) 0.5 A, Receive (Saver on) 0.1 A, Transmit (20 W) 5 A, Transmit (5 W) 3 A
Case Size (WxHxD):	7.6" x 2.9" x 10.8" (193 x 74 x 274 mm)
Weight (approx.):	7.1 lbs(3.2 kg) with FNB-66LI Lithium-Ion Battery Pack

Transmitter

Power Output:	20 W/5 W (J3E/A1A/F1B), 10 W/2.5 W (H3E) (Selectable)
Modulation Type:	Balanced Modulator (SSB: J3E), Early Stage (Low Level) (AM: H3E)
Spurious Radiation:	56 dB down (Harmonics)
Carrier Suppression:	55 dB
Undesired Sideband Suppression:	55 dB @ 1.5 kHz tone
Audio Response (A3J):	350 to 2650 Hz (-6 dB)
3rd-order IMD:	-31 dB
Microphone Impedance:	2 k Ω , condenser

Receiver

Circuit Type:	Double Conversion Superheterodyne
Intermediate Frequencies:	47.055 MHz & 10.7 MHz
Sensitivity:	0.25 μ V (J3E/A1A, 10 dB S/N)
IF Rejection:	80 dB
Image Rejection:	80 dB
Selectivity (-6 dB/-60 dB):	2.4 kHz/5.0 kHz
Audio Output:	At least 1.5 W into 4 Ω @ 10% THD
Clarifier Adjustment Range:	± 200 Hz (J3E/A1A/F1B), ± 400 Hz (H3E)

Specifications are subject to change without notice or obligation.

Accessories & Options

SUPPLIED ACCESSORIES

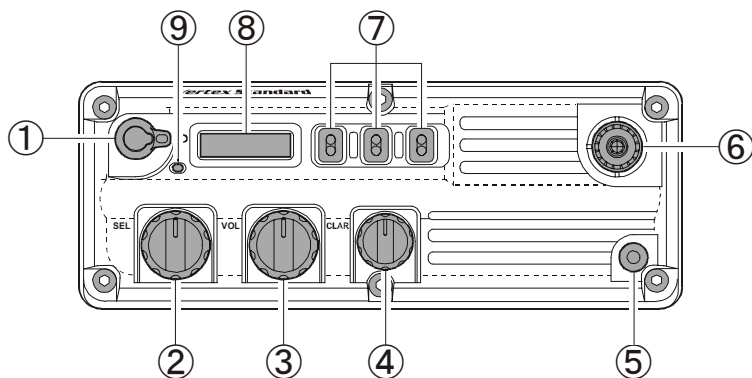
Speaker/Microphone	MH-50B7A
Lithium-Ion Battery Pack	FNB-66LI (14.4 V, 4800 mAh)
Rapid Charger	CD-17
AC Adapter	PA-26

AVAILABLE OPTIONS

Internal Antenna Tuner	ATU-1210
SELCALL Unit	SEL-1200
Encryption Unit	FVP-38
Whip Antenna	YHA-61
Folding Whip Antenna	FHA-27 (Requires GN-1210)
Goose Neck Connector	GN-1210
Dipole Antenna (T2FD type)	YA-30
Broadband Antenna	YA-31
Shoulder Bag	CSC-78
D-SUB 9-pin Connector Unit	DSV-1200
Service Kit	SVC-1200

Español

Controles y Conectores del Panel Frontal



- ① **Interruptor de Encendido “POWER”**
Gire esta perilla a la derecha para encender el radio. Si la desplaza en sentido contrario, se producirá la desconexión del equipo.
- ② **Perilla Selectora “SEL”**
Este conmutador giratorio dentado de 12 posiciones sirve para seleccionar los canales de memoria, además de sintonizar la frecuencia de comunicación, si su transceptor estuviera configurado para trabajar en base al modo VFO.
- ③ **Perilla de Volumen “VOL”**
Este control se utiliza para ajustar el nivel de intensidad del audio. Al girarlo a la derecha, se incrementa el nivel sonoro del equipo.
- ④ **Perilla del Clarificador “CLAR”**
Este control le permite desplazar la frecuencia de recepción hasta en 200 Hz en pasos de 10 Hz (en los modos de Banda Lateral Única, OC y de DATOS) o bien, hasta en 400 Hz en pasos de 20 Hz (en el modo AM). Dicha perilla es muy útil en caso de que se desvíe levemente la señal entrante.
- ⑤ **Terminal de Tierra “GND”**
Si existe una conexión a tierra disponible en el lugar de trabajo, el usuario puede empalmar este terminal con ella, de modo de garantizar un mayor rendimiento y mejores condiciones de seguridad.

Controles y Conectores del Panel Frontal

⑥ Conjunto de Antena “**ANT**”

Este conjunto admite una antena de 50 Ω . Si habilita el sintonizador de antena interno **ATU-1210**, es posible conectar directamente en este enchufe la antena de látigo optativa **YHA-61** (o si prefiere, la de látigo plegable **FHA-27** con cuello de cisne **GN-1210**). Use solamente una clavija modelo PL-259 (tipo **M**).

⑦ Conmutadores de Palanca “**TOGGLE**”

Es posible configurar los conmutadores “**TOGGLE**” de acuerdo con las especificaciones propias de cada usuario, mediante la rutina de programación que realiza el Distribuidor Vertex Standard de su localidad. Las funciones que puede utilizar con los referidos conmutadores se describen en la página 11 del manual.

⑧ Visualizador de Cristal Líquido (LCD)

Aquí se exhibe el canal de comunicación vigente.

⑨ Indicador Luminoso LED

Este indicador luminoso LED da a conocer el estado actual del transceptor:

Luz Verde Fija: Canal de Recepción Ocupado (o el Circuito de Silenciamiento desactivado).

Luz Amarilla Fija: Emisión en curso.

Amarilla Intermitente: Problema de adaptación de antena (Existe una Relación de Onda Estacionaria Elevada).

Rojo Intermitente: La energía de la batería está a punto de agotarse. Prepárese para cambiar la pila.

Luz Roja Fija: La tensión de la batería bajó a niveles críticos. Cambie la pila inmediatamente.

Conmutadores MH-50B7A

① **Interruptor del Micrófono o PTT**
Oprima este interruptor para transmitir y suéltelo para recibir.

② **Conmutador Ficticio**
El referido conmutador no se activa en este transceptor.

③ **Conjuntor “EAR”**
Usted puede conectar un Audifono en este conjuntor para mejorar la recepción cuando existe mucho ruido ambiental. El funcionamiento del audifono requiere que se habilite el parlante del **MH-50B7A** en el momento en que el distribuidor Vertex Standard de su localidad realice la programación del equipo.

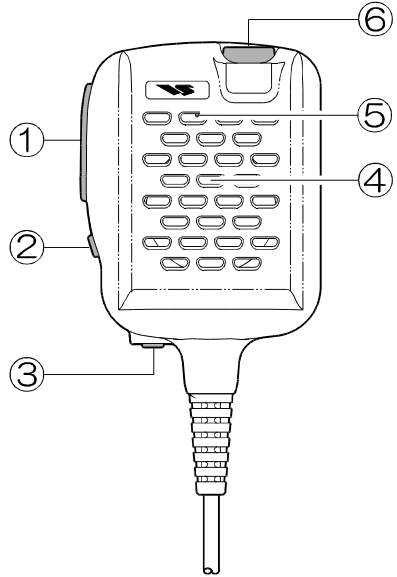
Cuando se instala una clavija en este enchufe, se inhabilita automáticamente el parlante interno del **MH-50B7A**.

Nota: Se debe retirar la tapa de caucho que protege el referido conector para tener acceso a él. Cuando no lo necesite, vuelva a presionar la tapa sobre el conjuntor, con el objeto de proteger el interior del micrófono del polvo y la humedad.

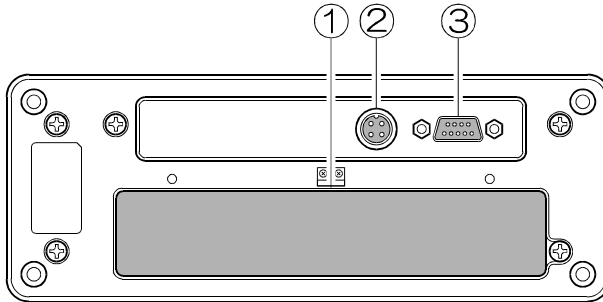
④ **Parlante**
En este punto se encuentra ubicado el parlante para el **MH-50B7A**.

⑤ **Micrófono**
Hable a través de esta apertura con un tono de voz normal al mismo tiempo que presiona el interruptor del **PTT**.

⑥ **Botón de Volumen del Parlante**
Accione este conmutador para reducir el nivel de salida proveniente del parlante del **MH-50B7A**, de haber sido habilitado (por el distribuidor Vertex Standard de su localidad al momento de realizar la programación del equipo).



Conectores del Panel Posterior



① Compartimiento para Batería

Este compartimiento aloja el Bloque de Pilas Secas de Litio-Iónico **FNB-66LI**.

② Conjuntor “**CHG**”

Este conjuntor de 4 alfileres de contacto permite conectar el Cargador optativo modelo **CD-17**.

③ Conjuntor “**AUX**” (Optativo)

El conjuntor optativo de 9 alfileres de contacto DB-9 suministra la entrada y salida AFSK, además de la manipulación telegráfica de OC, con el objeto de facilitar la interconexión de dispositivos módem utilizados en la transmisión de datos.

Nota: Se deben retirar las tapas de caucho que protegen los conjuntores **CHG** y **AUX** para tener acceso a ellos. Cuando no los necesite, vuelva a presionar las tapas sobre sendos conjuntores, con el objeto de proteger el interior del transceptor del polvo y la humedad.

Funcionamiento

ANTES DE ENCENDER EL RADIO POR PRIMERA VEZ

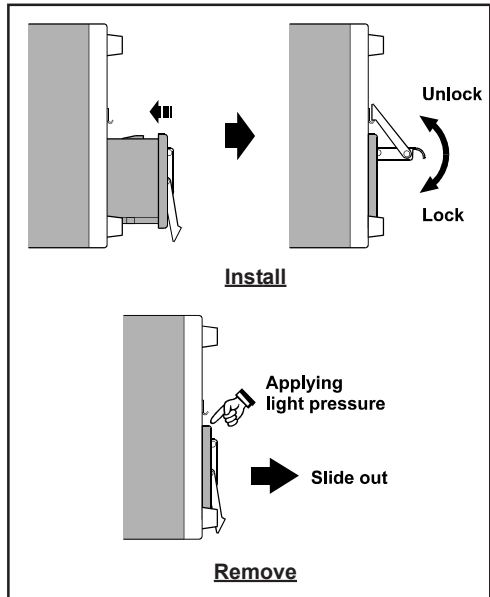
INSTALACIÓN Y REMOCIÓN DEL BLOQUE DE PILAS

- ❑ Para instalar el Bloque de Pilas, insértelo primero en el compartimiento para batería ubicado en la parte inferior del radio y luego asegúrelo utilizando el Broche de Retén que trae el referido Bloque.
- ❑ Para remover el Bloque de Pilas, apague el radio y quite cualquier funda protectora que pueda tener el aparato y a continuación, libere el broche que sujeta dicho bloque. Coloque ambos pulgares en el borde del Bloque de Pilas y deslicelo para retirarlo de radio al mismo tiempo que ejerce un poco de presión sobre él.



Jamás intente abrir el Bloque de Pilas Recargable, puesto que

usted podría lastimarse o dañar la unidad si una o más células establecieran un cortocircuito accidentalmente.



ANTES DE ENCENDER EL RADIO POR PRIMERA VEZ

Procedimiento para Cargar Baterías

Es necesario cargar completamente el Bloque de Pilas Secas antes de usarlo por primera vez.

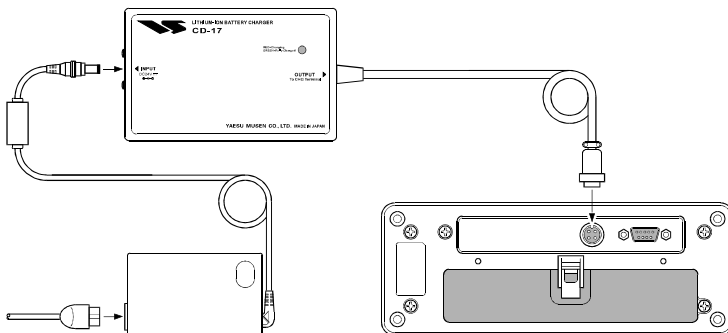
1. Instale el Bloque de Pilas en el transceptor. Cerciórese de que el equipo esté apagado.
2. Conecte la clavija del cable proveniente del Adaptador de CA **PA-26** en el enchufe de entrada “**INPUT**” del Cargador **CD-17**, posteriormente introduzca la clavija del cordón proveniente de dicho Cargador en el terminal **CHG** ubicado en la sección inferior del transceptor.
3. En esta etapa, conecte el cable de CA en el conjuntor de alterna en el Adaptador **PA-26** y enchufe posteriormente el referido adaptador en el tomacorriente de la línea de CA.
4. El indicador LED en el cargador **CD-17** se ilumina de color rojo (Cargando) cuando se le está aplicando energía a la batería. Una vez que se termina de cargar, el indicador LED se cambia a verde (para indicar que la unidad está completamente cargada). Un bloque totalmente agotado demora alrededor de cinco horas en volver a recuperar su carga por completo.
5. Para terminar, retire el cable del terminal **CHG** y desconecte posteriormente el Adaptador de CA **PA-26** del tomacorriente de la línea de alterna.



*No conecte un Cargador inadecuado en el terminal **CHG**.*

No se olvide de volver a colocar la cubierta protectora en el equipo.

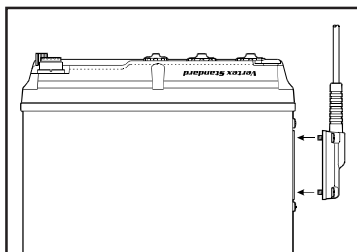
- En raras ocasiones, puede que el LED del **CD-17** aparezca de color verde (indicando una aparente “Carga Completa”) poco después de comenzar a aplicarle energía a un bloque totalmente vacío. Si esto llegara a suceder, desenchufe el cable del terminal **CHG**, espere unos segundos y vuelva a insertar la clavija del cable en ese mismo terminal. A partir de ese momento, la batería debería comenzar a cargarse en forma normal.*



Funcionamiento

PASOS PRELIMINARES

1. Instale un Bloque de Pilas cargado en el transceptor, de la forma que se describió anteriormente en el manual.
2. Conecte el Parlante-Micrófono **MH-50B7A** en el transceptor; alinee el conector de dicho dispositivo con el conector ubicado al lado izquierdo de la caja del transceptor y posteriormente, proceda a fijar el referido conector con los tornillos que se suministran con el Parlante-Micrófono indicado.
3. Si utiliza este transceptor con el kit de antena optativo **YA-30**, instale primero la antena y luego conecte el enchufe coaxil proveniente de dicha antena en el conjuntor **ANT** ubicado en el transceptor.
×: Cuando se instala la dipolo **YA-30**, el sintonizador de antena integrado no se utiliza.
4. Si emplea este transceptor con la antena de látigo optativa (ya sea la **YHA-61** o **FHA-27** con cuello de cisne **GN-1210**), conecte la referida antena en el conjuntor **ANT** del transceptor y posteriormente, acople una buena toma de tierra en el terminal **GND** del radio utilizando un cable grueso y trenzado.



Nota: El **VX-1210** puede funcionar ya sea con una Antena Dipolo (como una **YA-30**) o si prefiere, con una de látigo (como la **YHA-61**), dependiendo de la programación del transceptor que haya realizado el distribuidor Vertex Standard de su localidad. Para mayores detalles sobre el tema, comuníquese con nuestro representante regional más cercano.

INSTALACIÓN DE LA ANTENA DE LÁTIGO

1. Conecte la antena de látigo (**YHA-61** o **FHA-27** con el dispositivo **GN-1210**) y póngala a tierra con el transceptor, tal como se describió anteriormente en el manual.
2. Oprima firmemente la tecla **SEL** y mientras la mantiene en esa posición, gire el interruptor de encendido **POWER** a la derecha con el objeto de encender el transceptor. En ese instante, el icono “**TU ADJ**” aparecerá exhibido en el visualizador por tres segundos, después de lo cual se restablecerá la indicación del canal en la pantalla. Una vez que se encienda el radio, suelte la perilla **SEL**. A partir de ese momento, comenzará a funcionar el sintonizador de antena integrado en el radio.
3. Ahora, oprima firmemente la perilla **SEL** por 1/2 segundo para iniciar la sintonización de la antena.
4. Repita el paso 3 en todos los canales de comunicación.
5. Finalmente, apague el transceptor con el objeto de almacenar los nuevos valores de programación.

El usuario puede poner en funcionamiento la antena con el conmutador de palanca **TOGGLE**, de haber sido asignado para la función de Sintonización de Antena. Refiérase a la página 11 del manual para ver los detalles relacionados con esta función.

※: Requiere el Sintonizador de Antena Integrado **ATU-1210** y la Antena de Látigo **YHA-61** que se venden separadamente o en su defecto, la Antena de Látigo Plegable **FHA-27** con Cuello de Cisne **GN-1210**.

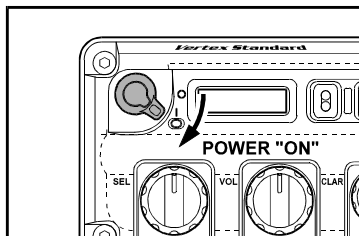
¡Nota Importante!

- Si Ud. usa el **VX-1210** con la antena de látigo opcional (**YHA-61** o **FHA-27** con **GN-1210**), una buena conexión de tierra **DEBE SER** conectada al terminal GND del **VX-1210** usando un cable trenzado grueso para prevenir choques eléctricos y lograr un rendimiento correcto.
- La antena de látigo opcional **YHA-61** es para usarse sólo en comunicaciones a corta distancia. Recomendamos usar con la antena de látigo opcional **FHA-27** con **GN-1210**, la antena dipolo opcional **YA-30** u otra antena que tenga la ganancia de antena, si desea comunicarse con una estación lejana.

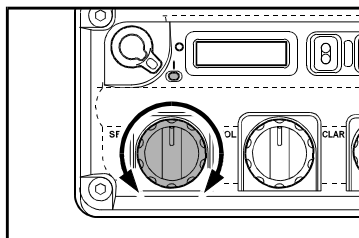
Funcionamiento

FUNCIONAMIENTO BÁSICO

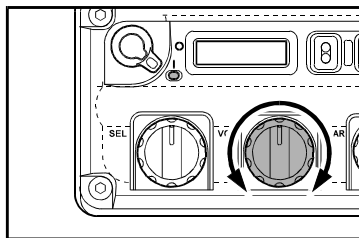
1. Gire el interruptor **POWER** a la derecha para encender el transceptor.



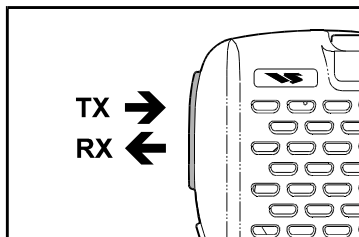
2. Desplace a continuación la perilla **SEL** con el objeto de seleccionar el Canal de Memoria deseado.



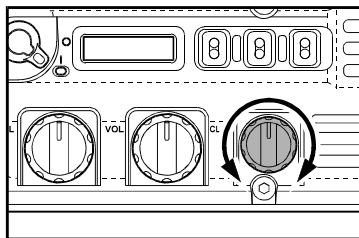
3. Gire ahora la perilla **VOL** a fin de definir el nivel sonoro que le resulte cómodo.



4. Para transmitir, mantenga deprimido el interruptor del **PTT** del micrófono y hable a través de él con un tono de voz normal. Cuando desee regresar al modo de recepción, suelte dicho interruptor.



5. En caso de que la frecuencia de la estación que usted está recibiendo comenzara a desviarse, gire la perilla del clarificador **CLAR** a fin de seguir la señal errante; tal acción no afecta a la frecuencia de transmisión de su radio.



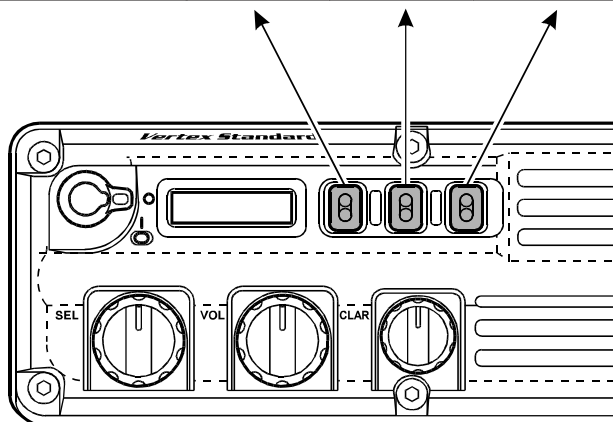
Funcionamiento Avanzado

FUNCIONES DEL CONMUTADOR DE PALANCA “TOGGLE”

Es posible configurar los conmutadores “TOGGLE” del **VX-1210** de acuerdo con las especificaciones propias de cada usuario, a través de la programación que lleva a cabo el distribuidor. Algunas funciones pueden requerir la compra e instalación de accesorios optativos internos. Las características de programación del interruptor de palanca que se pueden emplear se ilustran en la parte inferior de la página y sus funciones se describen en la próxima página del manual. Para mayores detalles sobre el tema, comuníquese con el distribuidor Vertex Standard de su localidad.

Como referencia en el futuro, marque el cuadro frente a cada función que ha sido asignada al conmutador de palanca de su propio radio y mantenga esta lista siempre a mano.

Función	Conmutador A	Conmutador B	Conmutador C
Función de Llamada de Búsqueda y Selectiva “SELCALL”	N/A		
Selector de Alta o Baja Potencia		N/A	N/A
Activación/ Desactivación del Supresor de Ruidos		N/A	N/A
Activación/ Desactivación del Sintonizador de Antena		N/A	N/A
Sintonización de Antena	N/A		
Activación/ Desactivación de la Unidad Criptográfica		N/A	N/A
Conexión/ Desconexión de la Luz “LAMP”			
Selección del Visualizador (Etiqueta/ Frecuencia)		N/A	N/A
Activación/ Desactivación de la Alarma “HAIL”	N/A		
Selección del Modo VFO o de Memoria	N/A		
Función de Discado a través del Sistema Telefónico “TELCALL”	N/A		
Activación/ Desactivación del Circuito de Silenciamiento		N/A	N/A
Selección del Parlante		N/A	N/A
Vacante			



Funcionamiento Avanzado

DESCRIPCIÓN DE LAS FUNCIONES DEL CONMUTADOR DE PALANCA “TOGGLE”

Función “SELCALL” [SOLO MODO J3E (LSB/USB)]

Activa y desactiva la Unidad (optativa) SELCALL, la cual -de haber sido instalada- le permite realizar llamadas de búsqueda y selectivas. Los detalles relativos a esta función han sido incluidos en la página 15 del manual.

Selector de Alta y Baja Potencia

Selecciona la potencia de salida del transmisor entre los niveles “Alto” y “Bajo”. Podrá prolongar significativamente la vida útil de la batería si hace funcionar el equipo con el nivel de potencia más Bajo.

Activación/ Desactivación del Supresor de Ruidos

El presente conmutador habilita e inhabilita el Supresor de Ruidos de FI. Al activar dicho dispositivo, se reducen muchos tipos diferentes de impulsos de ruido producidos por el hombre (pero no los de origen atmosférico).

Activación/ Desactivación del Sintonizador de Antena

Habilita e inhabilita el Sintonizador de Antena Automático en el Transceptor.

Sintonización de Antena

Accione firmemente el conmutador “TOGGLE” asignado hasta la posición de conexión (“ON”) durante 1/2 segundo para iniciar la sintonización de la antena. El indicador “WAIT” (Esperar) se ilumina en la pantalla mientras se sintoniza, y desaparece una vez que se logra hacer coincidir un par.

Si la sintonía es satisfactoria, la indicación “TUNE OK” aparecerá desplegada en el visualizador, haciendo que el radio emita a continuación un “tono de corta duración”.

Activación/ Desactivación de la Unidad Criptográfica

Habilita e inhabilita la unidad criptográfica de mensajes (optativa). Cuando la unidad criptográfica de mensajes está habilitada, se desconecta el clarificador en el radio.

No se olvide que al desconectar el módulo criptográfico sus transmisiones ya no estarán protegidas. Restituya el modo criptográfico lo más pronto posible y evite hablar de asuntos confidenciales o de suma importancia mientras se encuentre transmitiendo sin tener la unidad de codificación de voz habilitada.

Funcionamiento Avanzado

DESCRIPCIÓN DE LAS FUNCIONES DEL CONMUTADOR DE PALANCA “TOGGLE”

Conexión/ Desconexión de la Luz

Esta función opera en forma diferente, dependiendo del tipo de conmutador asignado a ella.

Conmutador de Palanca (Botón “A”)

Desplace el conmutador **TOGGLE** asignado hasta la posición de conexión “ON” para encender la luz de la pantalla de LCD en forma permanente. Para inhabilitar dicha luz, vuelva a colocar el conmutador de palanca en la posición de desconexión u “OFF”.

Conmutador de Acción Momentánea (Botón “B” o “C”)

Oprima el presente conmutador momentáneamente (I) para encender la luz de la pantalla de LCD por tres segundos, después de lo cual ésta se extingue en forma automática o (II) para iluminar la pantalla de LCD hasta que vuelva a oprimir este conmutador por segunda vez (no existe límite de tiempo en este caso). Estas funciones se determinan a través de la programación que realiza el Distribuidor Vertex Standard de su localidad.

Visualizador de Cristal Líquido (Etiqueta/ Frecuencia)

Selecciona el formato de exhibición para la frecuencia del canal entre (I) la frecuencia del canal de tráfico propiamente tal y (II) la etiqueta Alfanumérica respectiva (denominación).

Función de Alarma “HAIL”

Activa el conmutador “**TOGGLE**” asignado para habilitar la función “HAIL”, según la cual el radio emite un sonido de “Alarma” intenso. Utilice esta función si desea contar con un mecanismo rápido para alertar a otros miembros del grupo sobre alguna situación de peligro.

Selección del Modo VFO o de Memoria

Selecciona el mecanismo destinado al control de frecuencia entre (I) el “VFO” y (II) el “Sistema de Memoria”.

- Oprima momentáneamente el conmutador **TOGGLE** asignado para alternar el mando de frecuencia entre el VFO y los Sistemas de Memoria.
- Oprima firmemente el conmutador **TOGGLE** asignado en la posición de conexión durante 1/2 segundo para reproducir los datos del canal de memoria en el oscilador VFO. Puede girar posteriormente la perilla **SEL** para sintonizar la frecuencia en forma manual.

Generalmente la perilla **SEL** se utiliza para sintonizar una frecuencia VFO en pasos de 100 Hz cuando se encuentra operando en ese modo. Si desea sintonizar más rápidamente

Funcionamiento Avanzado

DESCRIPCIÓN DE LAS FUNCIONES DEL CONMUTADOR DE PALANCA “TOGGLE”

utilizando pasos más amplios, oprima la perilla **SEL** en forma momentánea y proceda a girarla a continuación. Ello le permite sintonizar una frecuencia VFO en pasos de 5 kHz. Cuando el transceptor se encuentra en el modo de sintonización “rápida”, la letra “**F**” aparece desplegada en el costado izquierdo de la pantalla.

Al oprimir la perilla **SEL** por segunda vez hará que se restablezcan los pasos de sintonización normales en el transceptor (100 Hz por paso).

Función “TELCALL” [SOLO MODO J3E (LSB/USB)]

Habilita e inhabilita la Función de Discado a través del Sistema Telefónico si la Unidad SELCALL optativa hubiese sido instalada. Los detalles relativos a esta función se detallan en la página 17 del manual.

Activación/ Desactivación del Circuito de Silenciamiento

Desplace el conmutador **TOGGLE** asignado hasta su regulación “más alta” para mantener el receptor enmudecido hasta el momento en que se reciba una señal. Gire el conmutador de palanca asignado hasta su posición “más baja” para “abrir” el circuito de silenciamiento de RF en forma manual, y así poder escuchar las señales de menor intensidad.

Para ajustar el nivel umbral de Silenciamiento:

1. Gire la perilla **SEL** con el objeto de seleccionar un canal desocupado (donde no exista ninguna señal presente).
2. Desplace posteriormente el conmutador **TOGGLE** (destinado a Activar y Desactivar el Circuito de Silenciamiento) hasta su regulación “más alta”.
3. Oprima firmemente la perilla **SEL** por 5 segundos con el objeto de habilitar la modificación del nivel umbral de silenciamiento en el radio.
4. Gire la perilla **SEL** justo hasta el punto en donde se suprime el ruido de fondo; éste es exactamente el punto de máxima sensibilidad para captar señales débiles.
5. Y por último, oprima la perilla **SEL** momentáneamente con el objeto de almacenar esta nueva instrucción y continuar operando el transceptor en la forma habitual.

Selección del Parlante

Conmuta la salida de audio entre el parlante interno y el Parlante-Micrófono optativo, modelo **MH-50B7A**.

Funcionamiento Avanzado

FUNCIONAMIENTO DE LA UNIDAD SELCALL [SOLO MODO J3E (LSB/USB)]

La función SELCALL del **VX-1210** le permite hacer llamadas de búsqueda y selectivas utilizando códigos de 4 dígitos que se transmiten según un formato FSK. El receptor de su equipo permanece enmudecido hasta que recibe códigos de 4 dígitos que coincidan con los almacenados en una memoria especialmente reservada para este fin.

Cuando se activa la unidad SELCALL, se inhabilita automáticamente la función del clarificador en el radio.

Recepción de una Llamada SELCALL

Cuando se decodifica una llamada SELCALL, se activa una campanilla de alerta durante 30 segundos, después de lo cual se ilumina el código de identificación de la estación que llama en la pantalla (como "ID 1234" por ejemplo). Si se detecta una llamada SELCALL privada, el **VX-1210** transmitirá automáticamente la señal de contestación a la estación que emite la llamada antes de activar la campanilla de alerta en el equipo.

A menos que usted responda, el radio emitirá dicho sonido de alerta una vez cada tres segundos, en tanto que "[CALL RECEIVED] *junto con* el [Código de Identificación de la estación que llama]" aparecerán iluminados en el desplegue hasta el momento en que sea contestada esa llamada.

Transmisión de una Llamada SELCALL

1. Oprima momentáneamente el conmutador "**TOGGLE**" (asignado a la función de "Llamada de Búsqueda y Selectiva") con el objeto de habilitar la selección de la memoria para códigos respectiva.
2. Desplace la perilla **SEL** a continuación para seleccionar (exhibir) la memoria para códigos correspondiente a la estación a la que desea transmitir una llamada de búsqueda y selectiva SELCALL.
3. Y por último, presione el conmutador "**TOGGLE**" (asignado a la función de "Llamada de Búsqueda y Selectiva") durante 1/2 segundo para emitir una llamada de este tipo.

Funcionamiento Avanzado

FUNCIONAMIENTO DE LA UNIDAD SELCALL [SOLO MODO J3E (LSB/USB)]

Transmisión Manual

Si no hubiesen sido programados los códigos de 4 dígitos para la función de “Llamada de Búsqueda y Selectiva” dentro de la memoria de su tranceptor **VX-1210**, usted tendrá la posibilidad de configurar y enviar -como una medida temporal- estos códigos en forma manual.

A continuación se presenta el procedimiento de transmisión manual SELCALL:

1. Presione momentáneamente el conmutador de palanca (asignado a la función de “Llamada de Búsqueda y Selectiva”) en el radio.
2. Desplace la perilla **SEL** con el objeto de seleccionar (exhibir) “**AUX xxxx**” en la pantalla.
3. Oprima firmemente la perilla **SEL** por 1/2 segundo y gírela a continuación para seleccionar el primer número correspondiente al código de 4 dígitos que usted desea enviar.
4. Presione la perilla **SEL** en forma momentánea para trasladar el cursor hasta la posición del próximo dígito. Utilice la perilla **SEL** una vez más con el objeto de escoger un nuevo número y desplazarse hasta el lugar del siguiente carácter de la secuencia.
5. Después de haber ingresado todos números que usted desea enviar, oprima firmemente la perilla **SEL** por 1/2 segundo con el objeto de almacenar temporalmente los 4 dígitos en la memoria para códigos respectiva.
6. Y por último, presione firmemente el conmutador de palanca (asignado a la función de “Llamada de Búsqueda y Selectiva”) durante 1/2 segundo para transmitir una llamada SELCALL.

Funcionamiento Avanzado

FUNCIONAMIENTO DE LA UNIDAD TELCALL [SOLO MODO J3E (LSB/USB)]

El **VX-1210** facilita la utilización del Discado a través del Sistema Telefónico para la Conexión de Líneas Automáticas.

Cuando se activa la unidad “TELCALL”, se inhabilita automáticamente la función del clarificador en el radio.

Transmisión de una Llamada TELCALL

1. Oprima momentáneamente el conmutador “**TOGGLE**” (asignado a la función de “Discado a través del Sistema Telefónico”) con el objeto de habilitar la selección de la memoria para códigos.
2. Desplace la perilla **SEL** a continuación con el objeto de seleccionar (exhibir) la memoria para códigos correspondiente a la estación a la que desea transmitir una llamada de búsqueda y selectiva SELCALL.
3. Oprima ahora el conmutador “**TOGGLE**” (asignado a la función de “Discado a través del Sistema Telefónico”) a fin de habilitar el modo TELCALL.
4. Gire posteriormente la perilla **SEL** a fin de seleccionar la secuencia en la memoria para Conexión de Líneas Automáticas que usted desea transmitir.
5. Presione el conmutador “**TOGGLE**” (asignado a la función de “Discado a través del Sistema Telefónico”) con el propósito de transmitir la secuencia TELCALL (correspondiente al número de teléfono ingresado).
6. Una vez finalizada la comunicación, oprima firmemente el conmutador de palanca (asignado a la función de “Discado a través del Sistema Telefónico”) durante 1/2 segundo al mismo tiempo que mantiene deprimido el **PTT**, a fin de transmitir la señal de “Colgar” a la otra estación.

Funcionamiento Avanzado

FUNCIONAMIENTO DE LA UNIDAD TELCALL [SOLO MODO J3E (LSB/USB)]

Transmisión Manual

Si no hubiese sido programado el número telefónico en la memoria para Conexión de Líneas Automáticas de su transceptor **VX-1210**, usted tendrá la posibilidad de configurar y enviar -como una medida temporal- el número correspondiente en forma manual.

A continuación se presenta el procedimiento de transmisión manual:

1. Primero llame a la estación que está conectada al sistema telefónico mediante la función de Llamada de Búsqueda y Selectiva, tal como se describió anteriormente en el manual.
2. A continuación, oprima momentáneamente el conmutador “**TOGGLE**” (asignado a la función de “Discado a través del Sistema Telefónico”) en el radio.
3. Desplace ahora la perilla **SEL** con el objeto de seleccionar (exhibir) “**AUX xxxx**” en la pantalla.
4. Oprima firmemente la perilla **SEL** por 1/2 segundo, gire esta misma perilla para seleccionar el primer dígito correspondiente al número de teléfono que usted desea enviar.
5. Presione la perilla **SEL** en forma momentánea para trasladar el cursor hasta la posición del próximo dígito. Utilice la perilla **SEL** una vez más para escoger un nuevo número y desplazarse hasta el lugar del siguiente carácter de la secuencia.
6. Después de haber ingresado todos dígitos del número telefónico que usted desea enviar, oprima firmemente la perilla **SEL** por 1/2 segundo para almacenar temporalmente dicha secuencia en la memoria para Conexión de Líneas Automáticas respectiva.
7. Y por último, presione firmemente el conmutador de palanca (asignado a la función de “Discado a través del Sistema Telefónico”) durante 1/2 segundo con el propósito de transmitir la secuencia TELCALL (correspondiente al número telefónico ingresado).

Especificaciones Técnicas

Características Generales

Gama de Frecuencias: RX: 0.5 ~ 30 MHz, TX: 1.6 ~ 30 MHz

Modos de Emisión: A1A (OC), J3E (LSB/USB), H3E (AM), F1B (AFSK)

Pasos del Sintetizador: 10 Hz

Impedancia de la Antena: 50 Ω , Desbalanceada

Margen de Temp. de Funcionamiento: -22° F a +140° F (-30° C a +60° C)

Estabilidad de Frecuencia: ± 1 ppm

Potencia Necesaria: Batería de Litio-iónico de 14.4 V de CC

Consumo de Corriente: Recepción (Economizador apagado) 0.5 A,
Recepción (Economizador encendido) 0.1 A,
Transmisión (20 W) 5 A,
Transmisión (5 W) 3 A

Tamaño del Estuche: 7.6" (ancho) x 2.9" (alto) x 10.8" (fondo)
193 (ancho) x 74 (alto) x 274 (fondo) mm

Peso (aproximado): 7.1 lbs (3.2 kg) con el Bloque de Pilas de Litio-Iónico FNB-66LI

Transmisor

Salida de Potencia: 20 W/5 W (J3E/A1A/F1B), 10 W/2.5 W (H3E) (Seleccionable)

Tipo de Modulación: Modulador Balanceado (SSB: J3E),
Etapa Próxima a la Entrada (Bajo Nivel) (AM: H3E)

Radiación de Espuria: 56 dB descendente (Armónicas)

Supresión de Portadora: 55 dB

Supresión de Banda Lateral no Deseada: 55 dB @ tono de 1.5 kHz

Respuesta de Audio (A3J): de 350 a 2650 Hz (-6 dB)

Distorsión por Intermodulación del 3er. Orden: -31 dB

Impedancia del Micrófono: 2 k Ω , condensador

Receptor

Tipo de Circuito: Superheterodino de Doble Conversión

Frecuencias Intermedias: 47.055 MHz & 10.7 MHz

Sensibilidad: 0.25 μ V (J3E/ A1A, 10 dB S/N)

Rechazo de FI: 80 dB

Rechazo de Frecuencia Imagen: 80 dB

Selectividad (-6dB/-60dB): 2.4 kHz/5.0 kHz

Salida de Audio: No menos de 1.5 W en 4 Ω

@ con una Distorsión Armónica Global del 10%

Margen de Ajuste del Clarificador: ± 200 Hz (J3E/ A1A/ F1B), ± 400 Hz (H3E)

Estas especificaciones están sujetas a cambio sin aviso ni compromiso por parte de la compañía.

Accesorios y Componentes Alternativos

ACCESORIOS QUE SE SUMINISTRAN CON EL EQUIPO

Parlante Micrófono	MH-50B7A
Bloque de Pilas de Litio-Iónico	FNB-66LI (14.4 V, 4800 m AH)
Cargador Rápido	CD-17
Adaptador de CA	PA-26

OPCIONES DISPONIBLES

Sintonizador de Antena Interno	ATU-1210
Unidad de Llamada de Búsqueda y Selectiva	SELCALL SEL-1200
Unidad de la encriptación	FVP-38
Antena de Látigo	YHA-61
Antena de Látigo Plegable	FHA-27 (se requiere el GN-1210)
Conector para Cuello de Cisne	GN-1210
Antena Dipolo (tipo T2FD)	YA-30
Antena de banda ancha	YA-31
Bolso para Colgar	CSC-78
Unidad de Conexión de 9 Alfileres D-SUB	SVC-1200
Kit de Reparación	SVC-1200



Copyright 2009
VERTEX STANDARD CO., LTD.
All rights reserved.

Printed in Japan

No portion of this manual
may be reproduced
without the permission of
VERTEX STANDARD CO., LTD.

