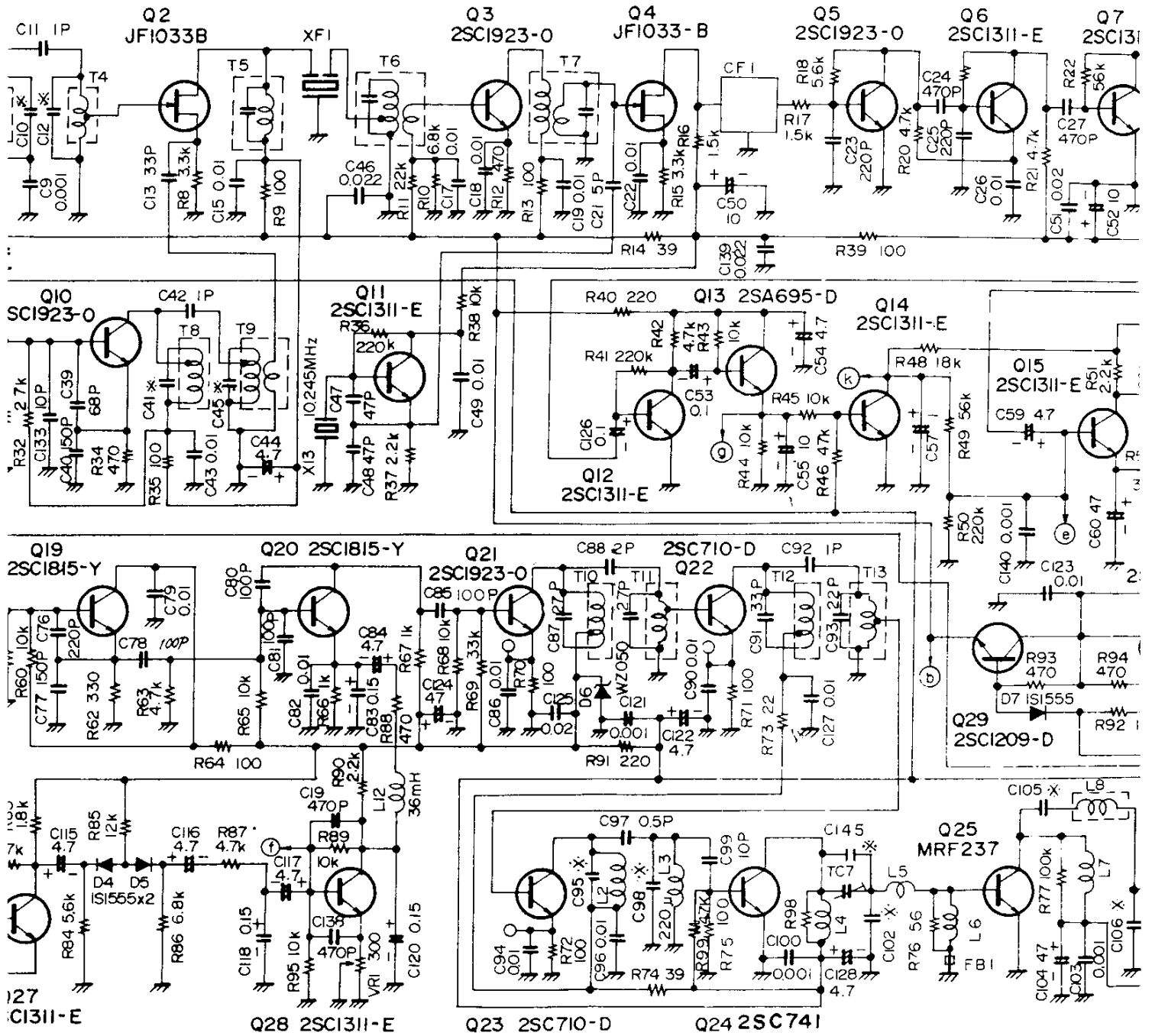


FOR SERVICE MANUALS
CONTACT:

MAURITRON TECHNICAL SERVICES

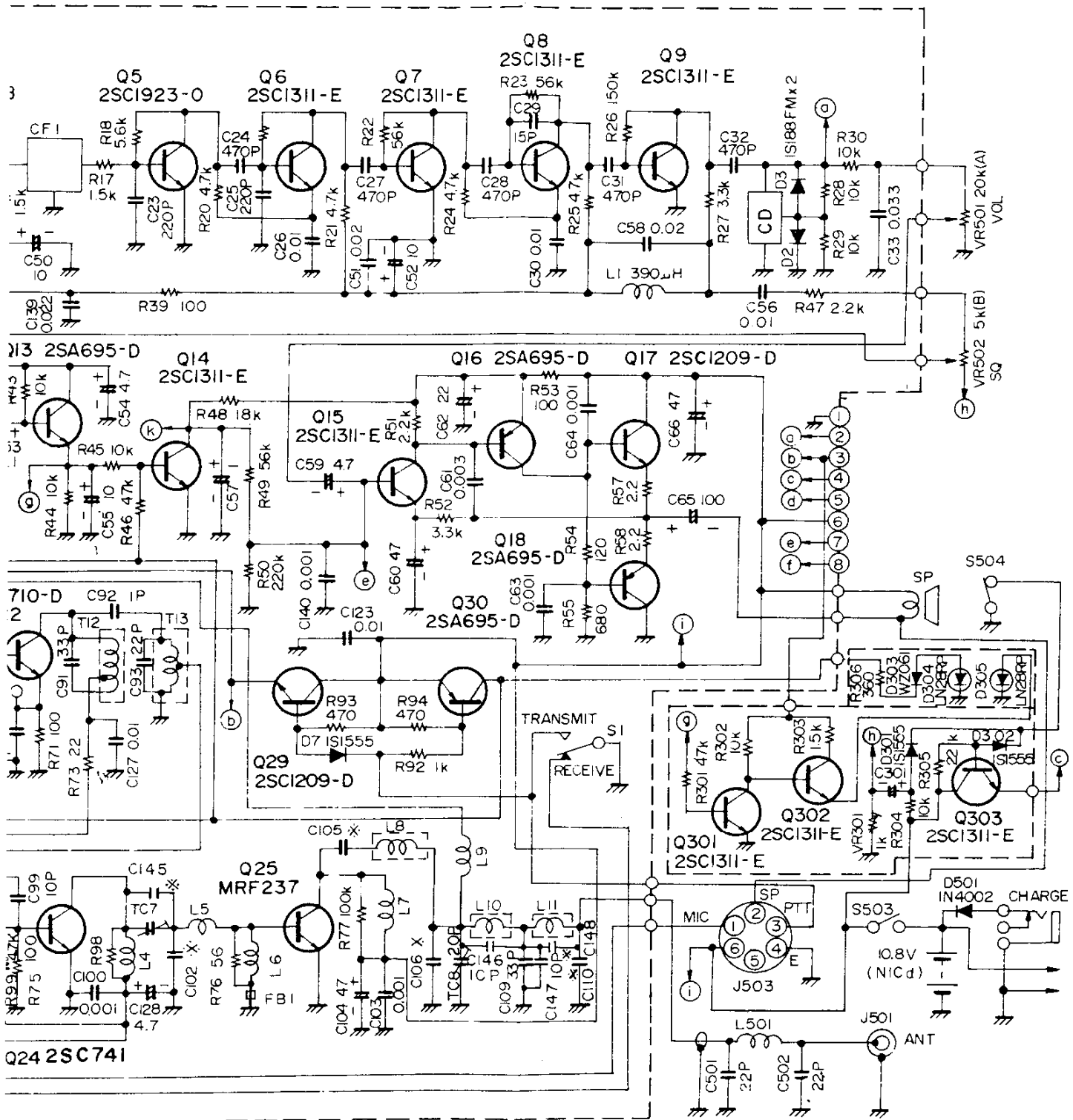
www.mauritron.co.uk
TEL: 01844 - 351694
FAX: 01844 - 352554

	C2	C6	C10	C12	C41	C45	C95	C98	C102	C105	C
1.68~73MHZ	22 P	15 P	18 P	12 P	27P	27 P	39 P	39 P	100 P	56 P	3
2.73~80MHZ	18P	12 P	15 P	10P	22 P	22P	22 P	22 P	120 P	56 P	4
3.80~88MHZ	15P	10 P	12 P	8 P	15P	18P	18 P	15 P	100P	47 P	3



C2	C6	C10	C12	C41	C45	C95	C98	C102	C105	C106	C110	C145	C148
2P	15P	18P	12P	27P	27P	39P	39P	100P	56P	39P	33P	56P	33P
8P	12P	15P	10P	22P	22P	22P	22P	120P	56P	47P	27P	68P	10P
5P	10P	12P	8P	15P	18P	18P	15P	100P	47P	39P	22P	47P	10P

- NOTES
1. ALL FIXED RESISTORS IN $\frac{1}{4}$ W UNLESS OTHERWISE NOTED.
 2. ALL CAPACITORS IN μ F UNLESS OTHERWISE NOTED.



5	C148
P	33P
P	10P
P	10P

- NOTES
1. ALL FIXED RESISTORS IN Ω 1/4W UNLESS OTHERWISE NOTED.
 2. ALL CAPACITORS IN μ F UNLESS OTHERWISE NOTED.

FTC-703A
CIRCUIT DIAGRAM

FOR SERVICE MANUALS
CONTACT:
MAURITRON TECHNICAL SERVICES
www.mauritron.co.uk
TEL: 01844 - 351694
FAX: 01844 - 352554