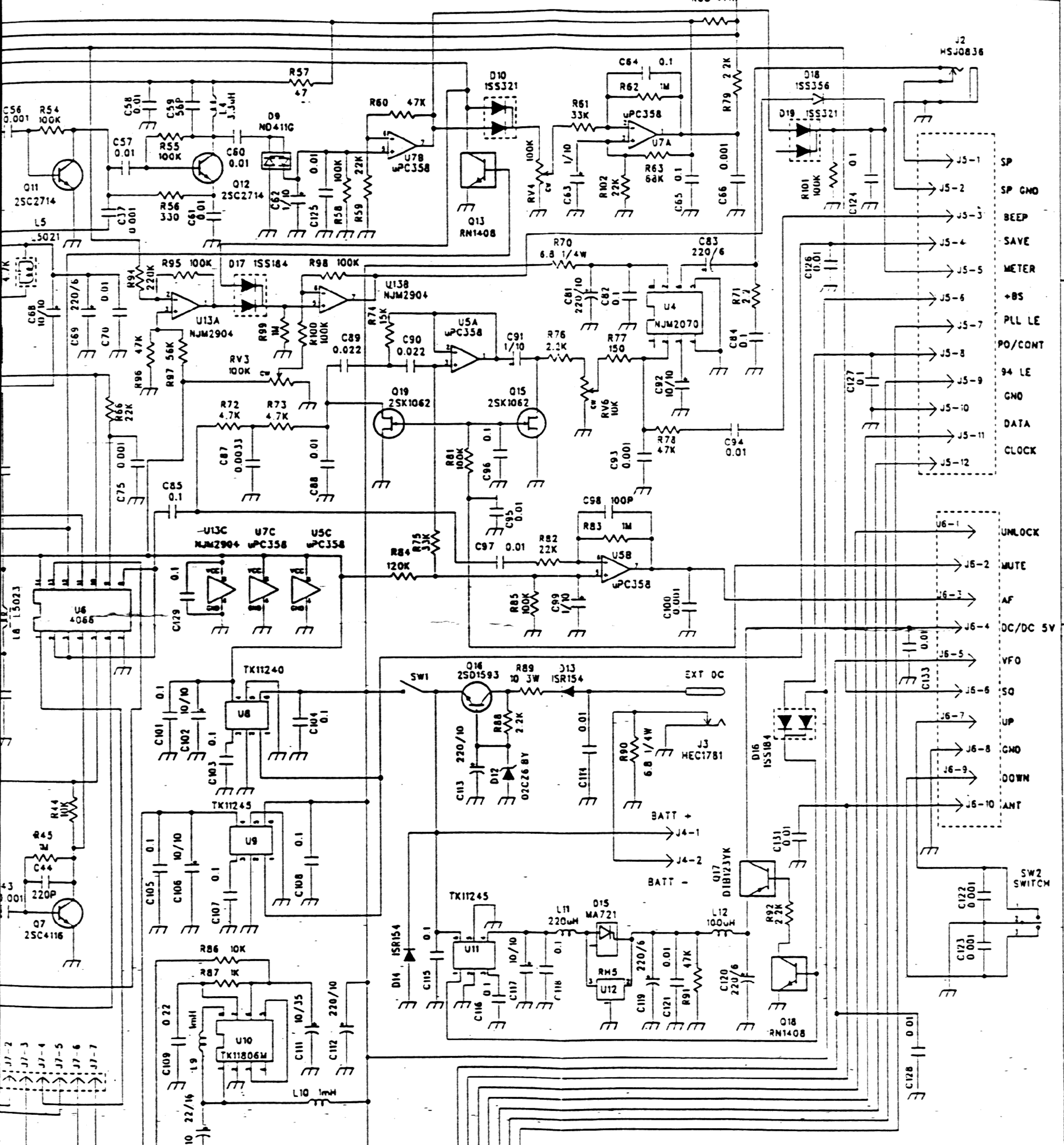
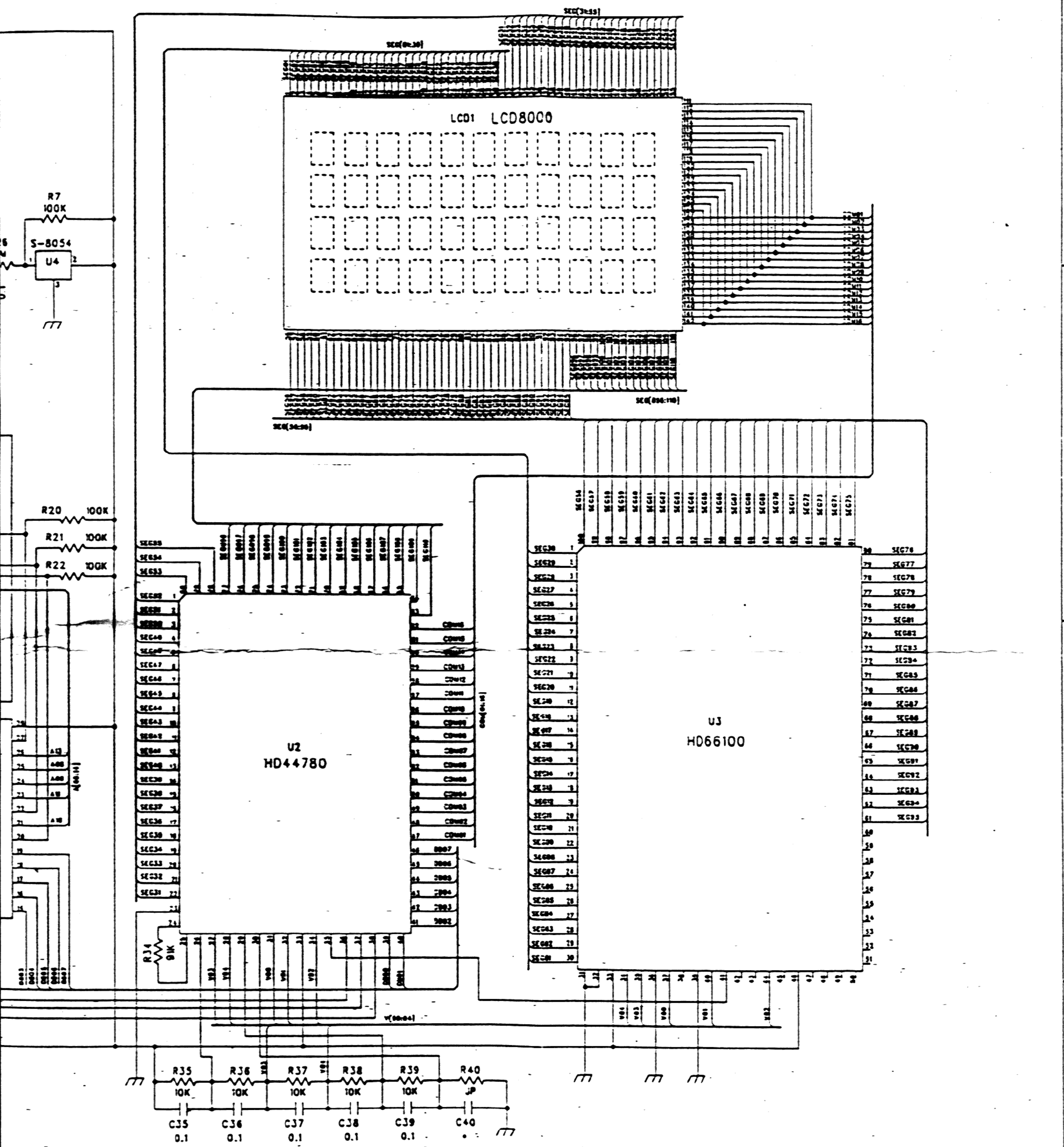


REVISION RECORD			
LTN	CD NO.	APPROVED	DATE



COMPANY: AOR			
TITLE: AR8000 IF			
DRAWN: H.M.	DATE: 94.08.10	CODE:	REV: 1
CHECKED:	DATE: 94.02.19	DESIGNER:	
QUALITY CONTROL:	DATE: 94.03.11	DRAWING NO:	
RELEASED:	DATE: 94.04.08	SCALE:	SHEET: 01

REVISION RECORD			
LTR	ECO NO.	APPROVED	DATE



D

C

B

A

COMPANY:			
AOR			
TITLE:			
AR8000 - CPU			
DRAWN:	DATE:	COND:	REV:
	93.08.31		
CHECKED:	DATE:	SCALE:	SHEET:
	94.01.22		
QUALITY CONTROL:	DATE:		
	94.04.20		
RELEASED:	DATE:		

